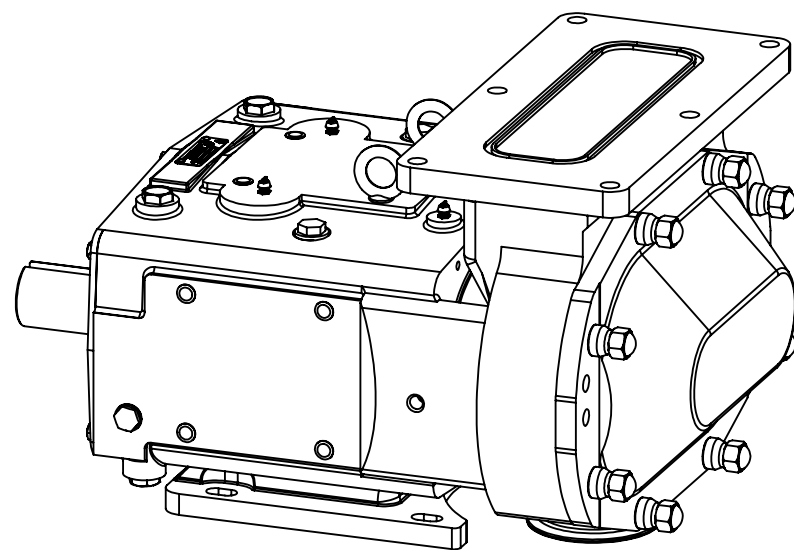


DETAIL RECTANGULAR FLANGE



Ampco Pumps Company

2045 West Mill Road Glendale, WI 53209



CUSTOMER DRAWING

DRAWN BY: R. SHOOK APPROVED BY: J. WEIDEMAN DATE: 2017/08/11

DESCRIPTION: ZP2/ZP3 214 GENERAL PUMP ASSEMBLY DRAWING (LEFT DRIVE)

DIMENSIONAL

SCALE: 1:6 REVISION: B

- NOTES:
 1. CUSTOMER DRAWING, FOR REFERENCE ONLY
 2. UNLESS OTHERWISE NOTED, ALL DIMENSIONS ± .125in [3mm]

REV.	DATE	DESCRIPTION	BY	APPROVED BY
B	2023/12/26	SHEET FORMAT AND TITLE DESCRIPTION UPDATED	EMM	JRW
A	2017/08/11	INITIAL RELEASE	RES	
		REVISIONS		