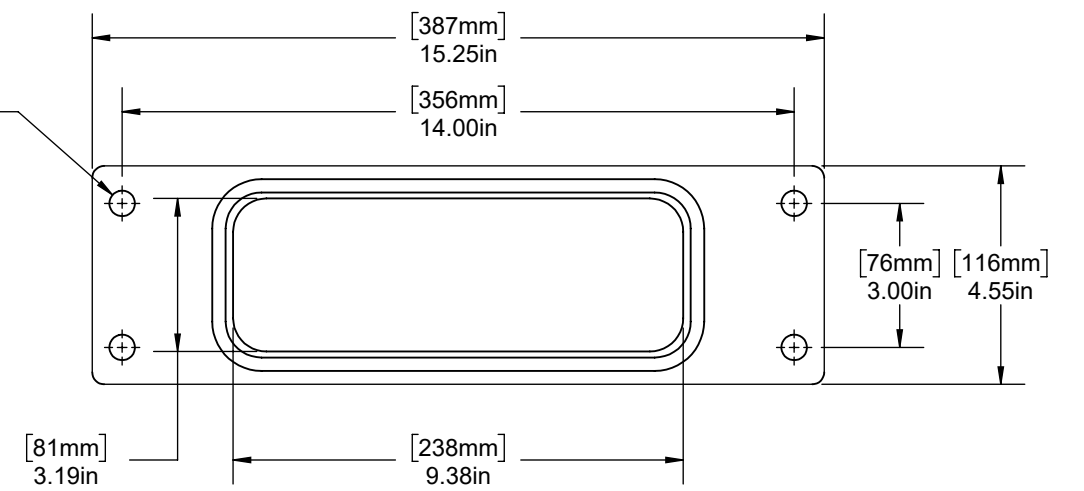
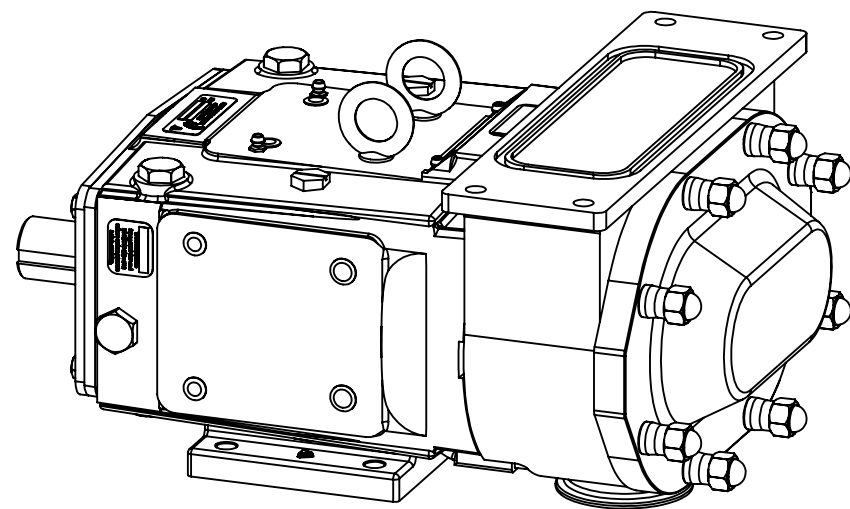


4X ϕ .53in [13mm] THRU



DETAIL RECTANGULAR FLANGE



Ampco Pumps Company

2045 West Mill Road Glendale, WI 53209

CUSTOMER DRAWING

DRAWN BY: D. COFFEY APPROVED BY: J. WEIDEMAN DATE: 2015/12/23

DESCRIPTION:
ZP2/ZP3 134 GENERAL PUMP ASSEMBLY DRAWING
(LEFT DRIVE)

DIMENSIONAL

SCALE: 1:4 REVISION: C

REV.	DATE	DESCRIPTION	BY	APPROVED BY
C	2023/12/20	SHEET FORMAT AND TITLE DESCRIPTION UPDATED. DUAL DIMENSIONS ADDED.	EMM	JRW
B	2016/08/19	SHAFT DIAMETER	DJF	
A	2015/12/23	DRAWING CREATED	DMC	
		REVISIONS		

NOTES:

1. CUSTOMER DRAWING, FOR REFERENCE ONLY
2. UNLESS OTHERWISE NOTED, ALL DIMENSIONS \pm .125in [3mm]