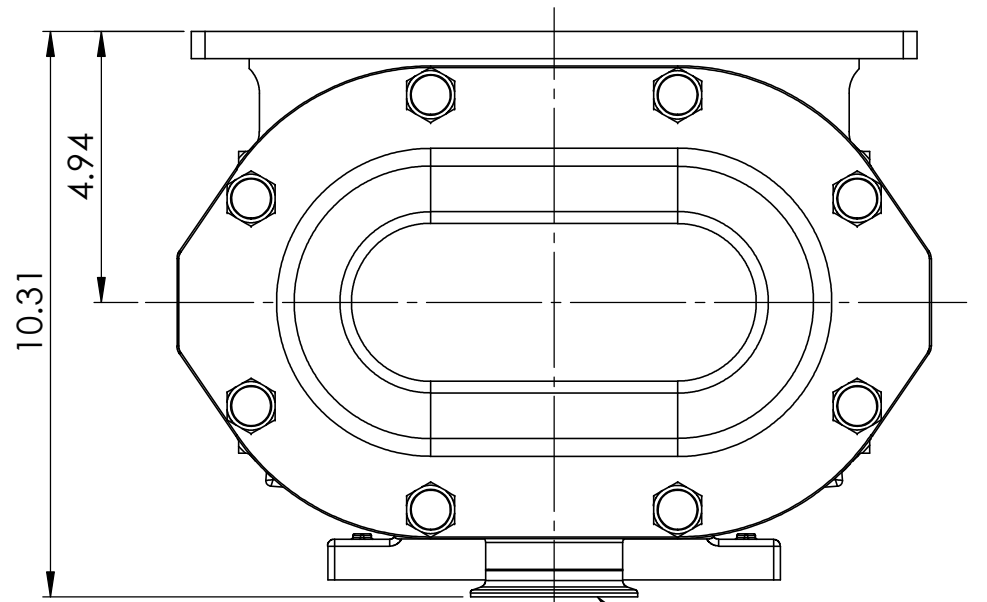
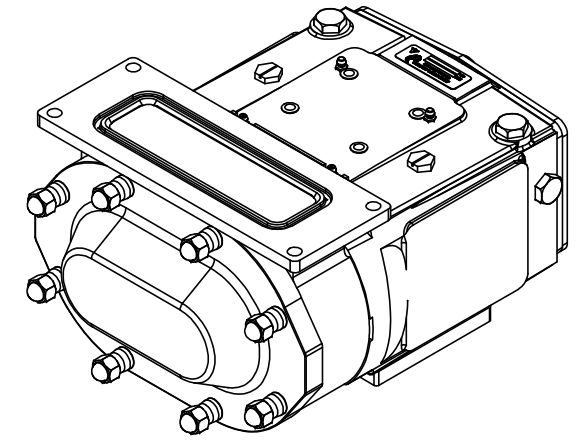


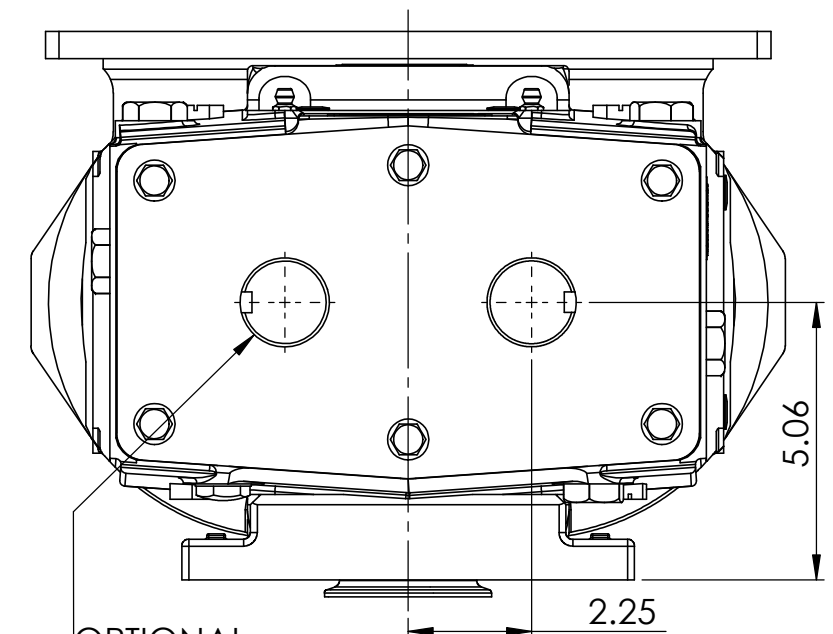
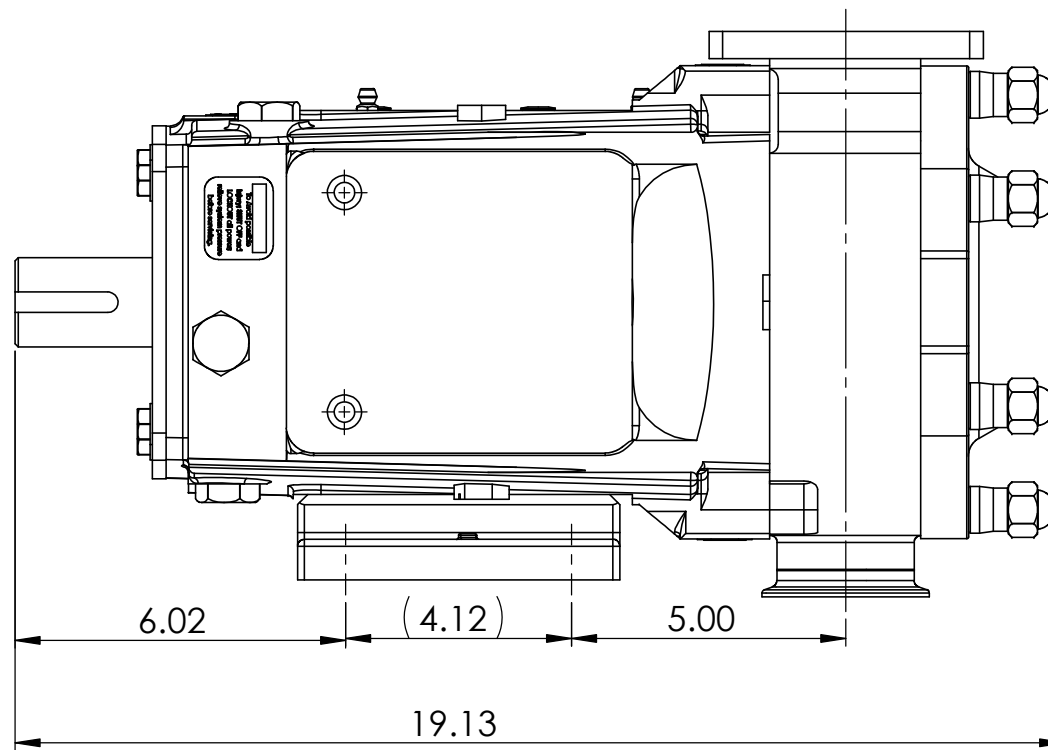
ISOLATED VIEW OF
RECTANGULAR FLANGE

4X ϕ 0.53 HOLES

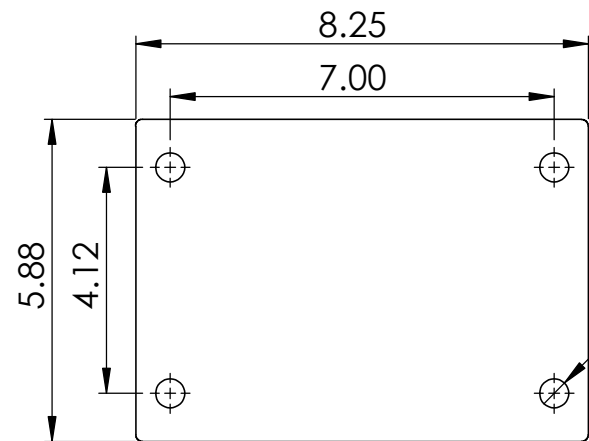
R0.47



2-1/2" TRI-CLAMP
CONNECTION



OPTIONAL
RIGHT DRIVE



ISOLATED VIEW OF
FOOT HOLE PATTERN

4X ϕ 0.53 HOLES

Ampco Pumps Company

2045 West Mill Road Glendale, WI 53209

CUSTOMER DRAWING

DRAWN BY: DAN COFFEY DATE: 12/23/2015

DESCRIPTION: ZP2/ZP3-064 (RECTANGULAR FLANGE)

DWG #: ZP2-064 (Left Drive) SCALE: 1:5 REVISION: A

NOTES:
CUSTOMER DRAWING, FOR REFERENCE ONLY

REV.	DATE	DESCRIPTION	DMC BY
A	12/23/2015	DRAWING CREATED	DMC
		REVISIONS	