

Introducing the NEW ZP4

The most compact circumferential piston pump in the industry.

The NEW Ampco ZP4 and its compact design are perfect for sanitary low-flow and dosing applications. The compact design of the ZP4 delivers the accuracy, reliability and efficiency that you expect from a positive displacement pump.

The ZP4 separates itself from other sanitary pump options in this category because of its ZERO rotor to rotor contact design and durable stainless steel construction.

The ZP4 circumferential piston pump is designed to reduce any possibility of product zone contamination from pump wear.

BENEFITS:

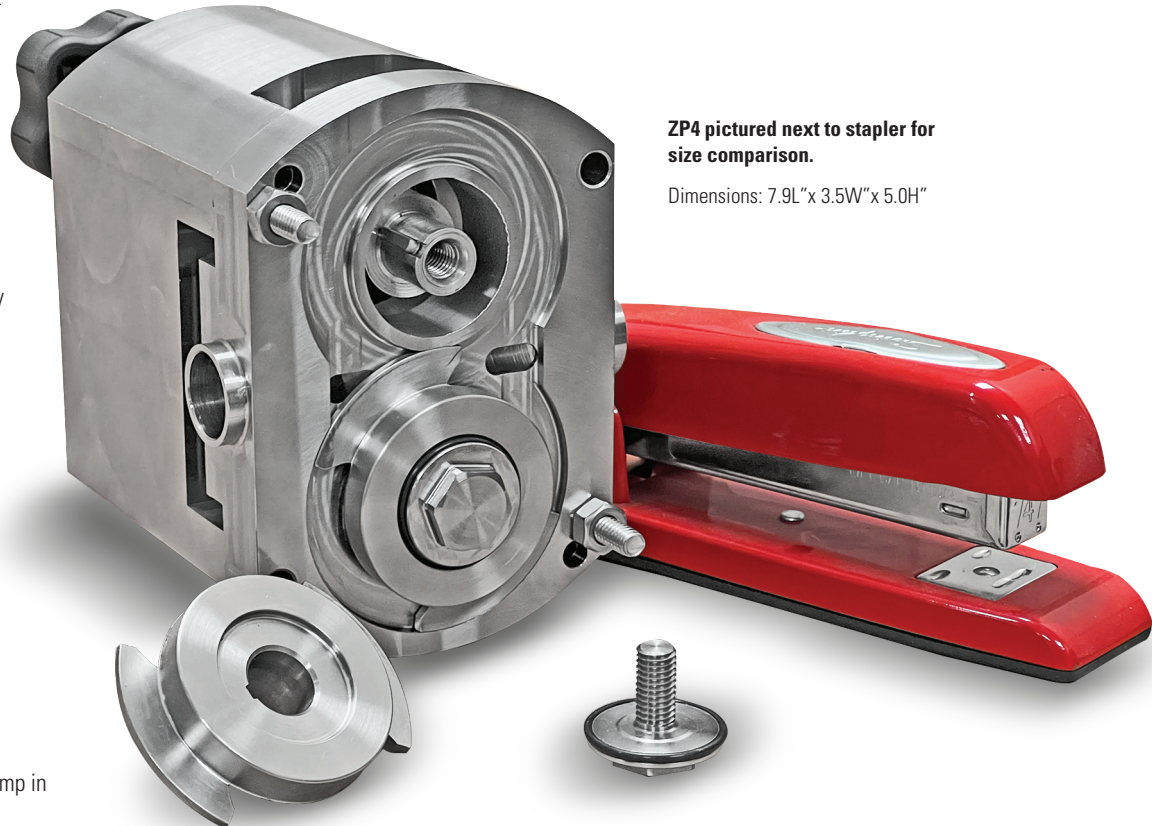
- Couples directly to a Servomotor
- ZERO rotor to rotor contact
- NO wear parts in the product zone
- Most efficient compact sanitary pump in the industry
- Self-priming
- Perfect for handling sensitive liquids with particulate
- Front-loading seal design for ease of maintenance and clean-up
- Non-galling Alloy 88 rotors
- 316L stainless steel body
- 304 stainless steel gear case
- 5 seal options available

SEAL OPTIONS:

- Single Mechanical
- Double mechanical
- Single o-ring
- Double o-ring
- Lip Seal

ZP4 pictured next to stapler for size comparison.

Dimensions: 7.9L" x 3.5W" x 5.0H"

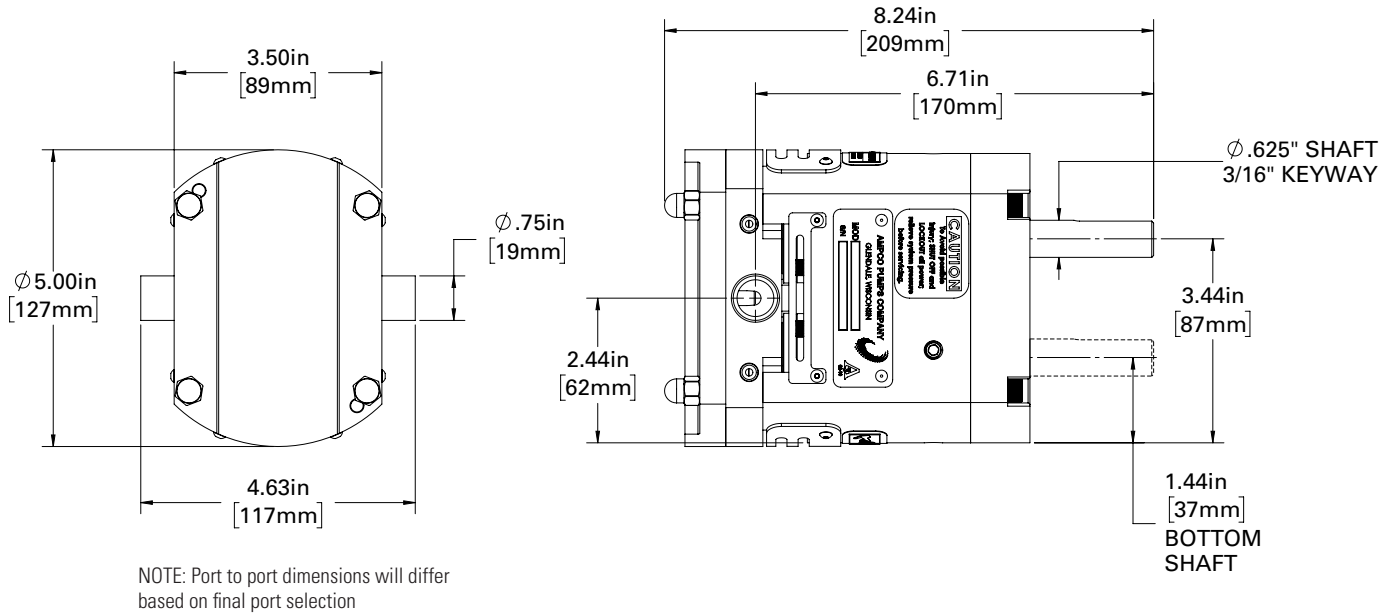


OPERATING SPECIFICATIONS:

- Max Discharge Pressure: 290 PSI / 20 BAR
- Viscosity range: 1-200,000 mPas
- RPM range: 0-1400
- Displacement: .0013 Gal/Rev / .0051 l/Rev



DIMENSIONS:



OPERATING SPECIFICATIONS

- 0-1400 RPM Range
- 290 PSI (20 Bar)
- Displacement .0013 Gal/Rev /.0051 l/Rev

