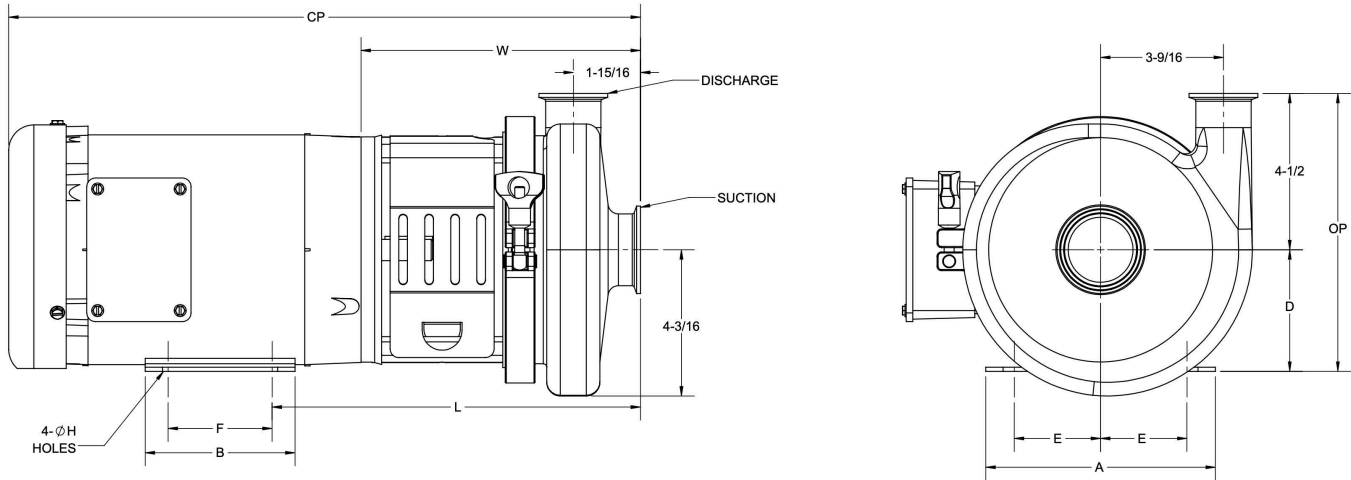
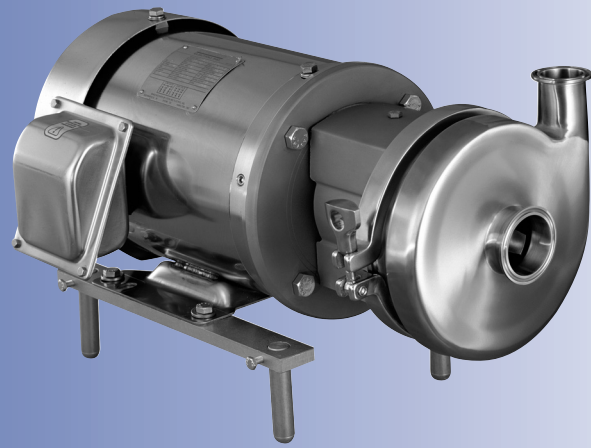


# Ampco Centrifugal Pumps

## DATA SHEET

MODEL AC/AC+ 216 2X1 1/2



| TEFC MOTOR |      |       | DIMENSIONS IN INCHES (For Reference Only) |         |       |        |       |       |          |         |          |        | APPROX WEIGHT (LBS) |
|------------|------|-------|---|---------|-------|--------|-------|-------|----------|---------|----------|--------|---------------------|
| HP         | RPM  | FRAME | A (typ)                                   | B (typ) | D     | E      | F     | ØH    | L        | W       | CP       | OP     |                     |
| 1/2        | 1750 | 56C   | 6-9/16                                    | 4-1/4   | 3-1/2 | 2-7/16 | 3     | 11/32 | 11-3/8   | 8-1/16  | 17-3/16  | 8      | 49                  |
| 3/4        | 1750 | 56C   | 6-9/16                                    | 4-1/4   | 3-1/2 | 2-7/16 | 3     | 11/32 | 11-3/8   | 8-1/16  | 17-3/16  | 8      | 53                  |
| 1          | 1750 | 56C   | 6-9/16                                    | 4-1/4   | 3-1/2 | 2-7/16 | 3     | 11/32 | 11-3/8   | 8-1/16  | 17-3/16  | 8      | 58                  |
| 1-1/2      | 1750 | 56C   | 6-9/16                                    | 4-1/4   | 3-1/2 | 2-7/16 | 3     | 11/32 | 11-3/8   | 8-1/16  | 17-3/16  | 8      | 62                  |
| 1-1/2      | 1750 | 145TC | 6-1/2                                     | 6       | 3-1/2 | 2-3/4  | 5     | 11/32 | 11-3/8   | 8-1/16  | 19-3/16  | 8      | 72                  |
| 2          | 1750 | 145TC | 6-1/2                                     | 6       | 3-1/2 | 2-3/4  | 5     | 11/32 | 11-3/8   | 8-1/16  | 19-3/16  | 8      | 75                  |
| 3          | 1750 | 182TC | 8-5/8                                     | 6-1/2   | 4-1/2 | 3-3/4  | 4-1/2 | 13/32 | 12-1/16  | 8-5/8   | 22-5/16  | 9      | 104                 |
| 3          | 3500 | 145TC | 6-1/2                                     | 6       | 3-1/2 | 2-3/4  | 5     | 11/32 | 11-3/8   | 8-1/16  | 19-3/16  | 8      | 83                  |
| 5          | 3500 | 184TC | 8-5/8                                     | 6-1/2   | 4-1/2 | 3-3/4  | 5-1/2 | 13/32 | 12-1/16  | 8-5/8   | 23-11/16 | 9      | 106                 |
| 7-1/2      | 3500 | 184TC | 8-5/8                                     | 6-1/2   | 4-1/2 | 3-3/4  | 5-1/2 | 13/32 | 12-1/16  | 8-5/8   | 23-11/16 | 9      | 124                 |
| 7-1/2      | 3500 | 213TC | 9-1/2                                     | 8       | 5-1/4 | 4-1/4  | 5-1/2 | 13/32 | 14-1/8   | 9-13/16 | 24-15/16 | 9-3/4  | 128                 |
| 10         | 3500 | 215TC | 9-1/2                                     | 8       | 5-1/4 | 4-1/4  | 7     | 13/32 | 14-1/8   | 9-13/16 | 26-11/16 | 9-3/4  | 161                 |
| 15         | 3500 | 215TC | 9-1/2                                     | 8       | 5-1/4 | 4-1/4  | 7     | 13/32 | 14-1/8   | 9-13/16 | 26-11/16 | 9-3/4  | 201                 |
| 20         | 3500 | 256TC | 11-1/2                                    | 11-1/2  | 6-1/4 | 5      | 10    | 17/32 | 14-13/16 | 10-1/16 | 30-1/16  | 10-3/4 | 308                 |

### MATERIAL SPECIFICATIONS

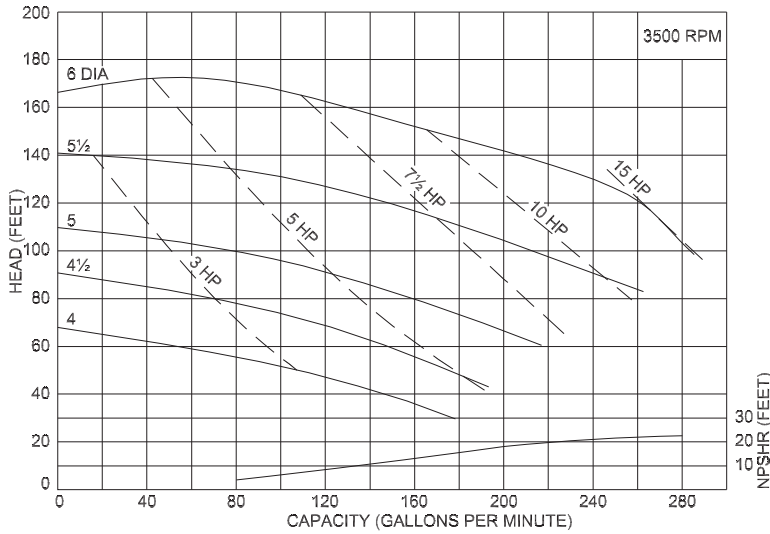
| PART NAME                       | STAINLESS STEEL |
|---------------------------------|-----------------|
| Casing                          | 316L Stainless  |
| Backplate, Impeller, Stub Shaft | 316L Stainless  |
| Adapter                         | 304 Stainless   |



# Ampco Centrifugal Pumps

MODEL AC/AC+ 216 2X1 1/2

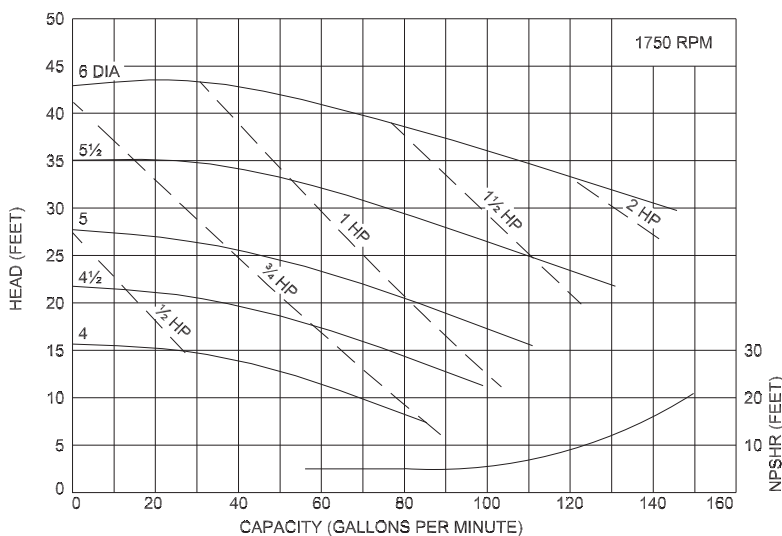
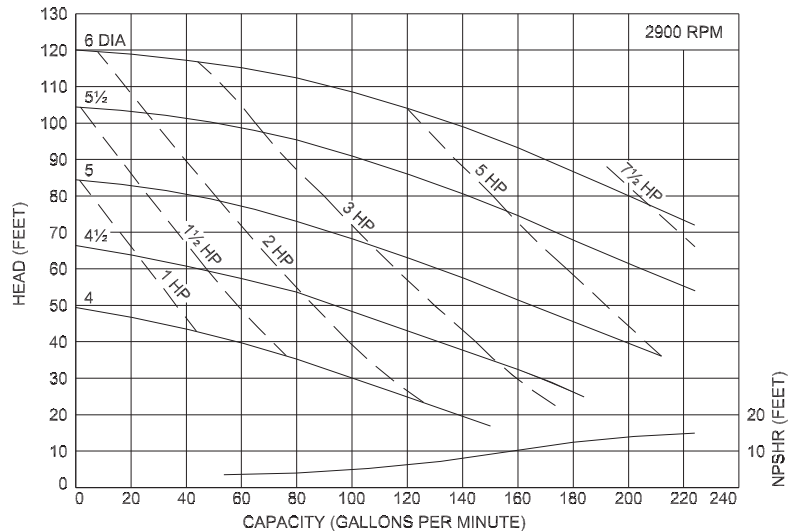
Curves show approximate characteristics  
based on clear 68° water.  
Rated point is guaranteed.



AC/AC+ Series pumps have standard stainless steel adapters and Type D, DG, & E seals available.

AC/AC+ Series pumps are in conformance with 3A sanitary standards for centrifugal and positive rotary pumps for milk and milk products,  
Number 02-10.

AC/AC+ Series pumps have a standard 32RA (150 grit) finish, on all product contact surfaces.



# Ampco Pumps Company

2045 West Mill Road  
Glendale, Wisconsin 53209  
PHONE (414) 643-1852  
FAX (414) 643-4452