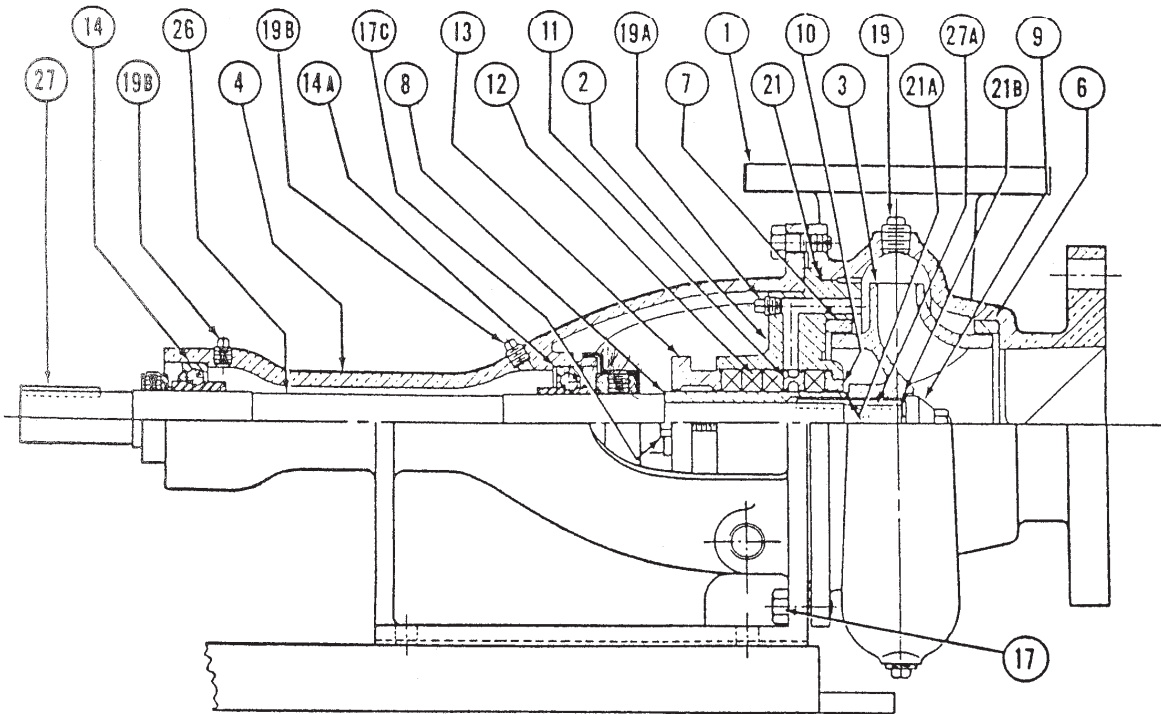


## ZP PUMPS

### AMPCO PUMPS COMPANY PARTS BREAKDOWN



| DETAIL NO. | PART NAME                                 |
|------------|---|
| 27A        | KEY - COUPLING                            |
| 27         | KEY - COUPLING                            |
| 21B        | GASKET                                    |
| 21A        | GASKET                                    |
| 21         | GASKET                                    |
| 19B        | PIPE PLUG                                 |
| 19A        | PIPE PLUG                                 |
| 19         | PIPE PLUG                                 |
| 17C        | CAP SCREW                                 |
| 17         | CAP SCREW                                 |
| 14A        | BALL BEARING WITH MECHANISEAL & DUST SEAL |
| 14         | BALL BEARING                              |
| 13         | GLAND - SPLIT                             |
| 12         | PACKING RING                              |
| 11         | SEAL RING                                 |
| 10         | THROAT BUSHING                            |
| 9          | IMPELLER SCREW                            |
| 8          | SHAFT SLEEVE                              |
| 7          | WEARING RING - REAR                       |
| 6          | WEARING RING - SUCTION                    |
| 4          | PEDESTAL                                  |
| 3          | IMPELLER                                  |
| 2          | COVER                                     |
| 1          | CASING                                    |

NOTE: Please be sure to always include pump type, size, and serial number with any reference to above numbers and names.