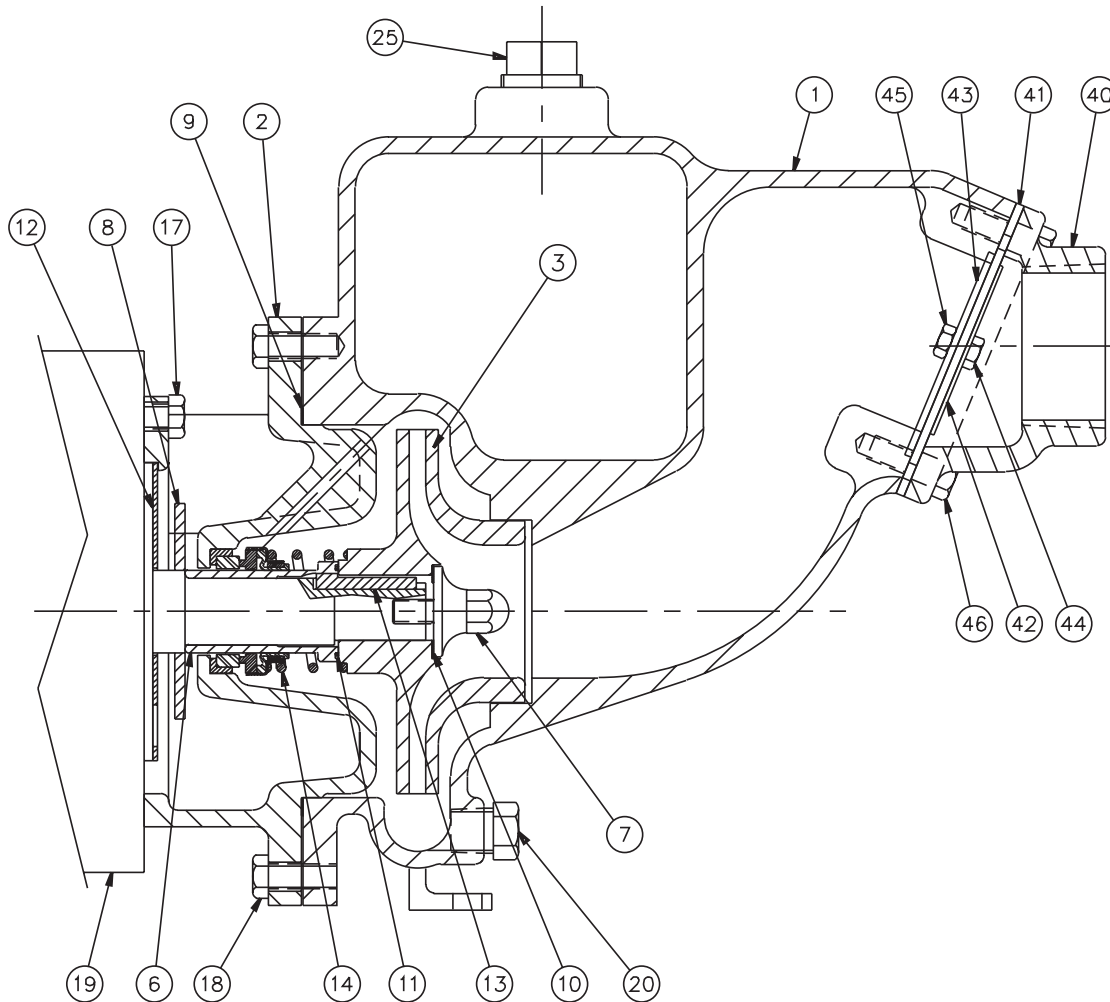


**RC2 PUMPS**  
2x2A, 2x2B, 2x2C

AMPCO PUMPS COMPANY  
PARTS BREAKDOWN



DETAIL NO.	REQ. NO.	PART NAME
46	4	CAP SCREW (CASE/FLAPPER BODY)
45	1	NUT (FLAPPER/DISC)
44	1	CAP SCREW (FLAPPER/DISC)
43	1	DISC, FLAPPER, THICK
42	1	DISC, FLAPPER, THIN
41B <sup>1</sup>	4	FLAPPER SPACER
41	1	FLAPPER
40	1	FLAPPER BODY
25	1	FILL PLUG
20	1	DRAIN PLUG
19	1	MOTOR
18	8	CAP SCREW (CASING/ADAPTER)
17	4	CAP SCREW (MOTOR/ADAPTER)
16 <sup>1</sup>	2	DRIVE SCREW
15 <sup>1</sup>	1	NAME PLATE
14	1	MECHANICAL SEAL
13	1	IMPELLER KEY
12	1	SPLASH PLATE
11	1	O-RING (SLEEVE/IMPELLER)
10	1	GASKET (IMPELLER SCREW)
9	1	GASKET (CASING/COVER)
8	1	SLINGER
7	1	IMPELLER SCREW
6	1	SHAFT SLEEVE
3	1	IMPELLER
2	1	COVER/ADAPTER
1	1	CASING

<sup>1</sup>NOT SHOWN

NOTE: Please be sure to always include pump type, size, and serial number with any reference to above numbers and names.