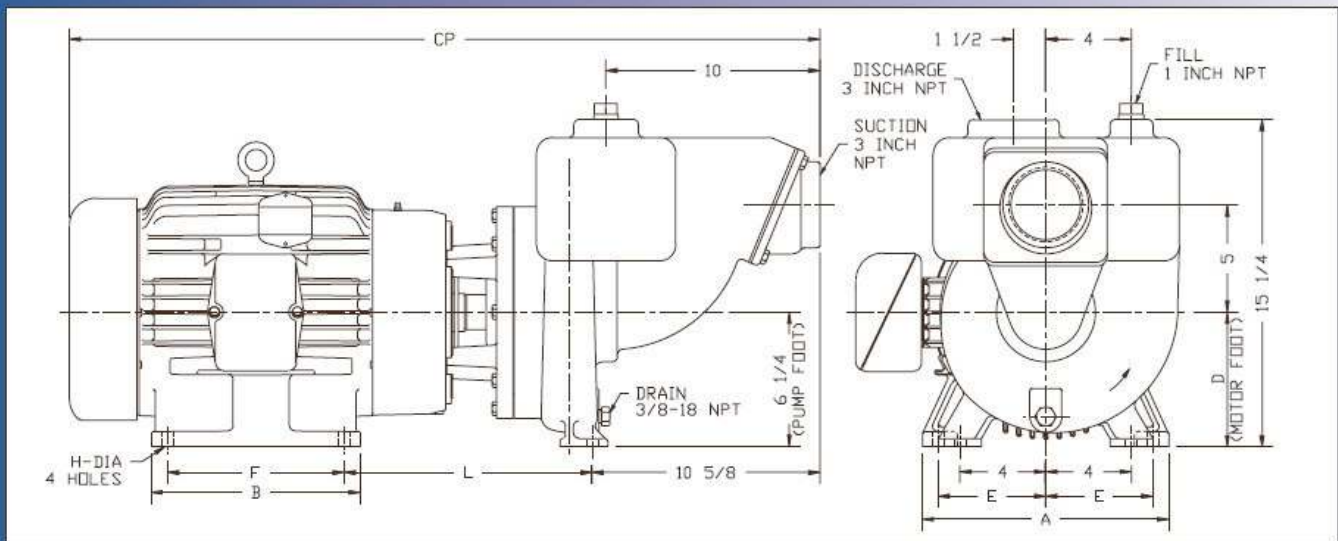


# Ampco Centrifugal Pumps

DATA SHEET

MODEL RC2/RCH2 3X3X7



TEFC MOTOR			DIMENSIONS IN INCHES (For Reference Only)								APPROX. WEIGHT
HP	RPM	FRAME	A (max)	B (max)	D	E	F	H	L	CP	
2	1750	145JM	6-1/2	6	3-1/2	2-3/4	5	11/32	8-7/16	27-1/2	154
3	1750	182JM	8-5/8	6-1/2	4-1/2	3-3/4	4-1/2	13/32	9-1/16	28-3/4	180
5	1750	184JM	8-5/8	6-1/2	4-1/2	3-3/4	5-1/2	13/32	9-1/16	30-1/4	193
15	3500	254JM	11-1/2	9-3/4	6-1/4	5	8-1/4	17/32	11-9/16	35	376
20	3500	256JM	11-1/2	11-1/2	6-1/4	5	10	17/32	11-9/16	36-3/4	414
25	3500	284JM	12-3/4	12-3/4	7	5-1/2	9-1/2	17/32	11-9/16	40-9/16	544

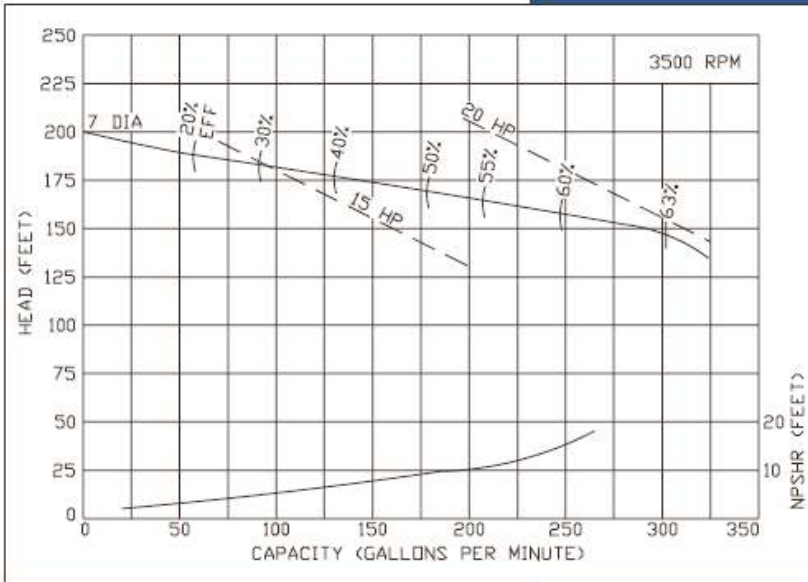
## MATERIAL SPECIFICATIONS

PART NAME	NICKEL ALUMINUM BRONZE	STAINLESS STEEL
Casing, Impeller & Cover	AMPCO® 483	316 Stainless Steel
Shaft Sleeve	AMPCO® 18	316 Stainless Steel
Impeller Screw	AMPCO® 18	316 Stainless Steel
Motor Shaft	Steel	Steel
Adapter	Cast Iron	Cast Iron

# Ampco Centrifugal Pumps

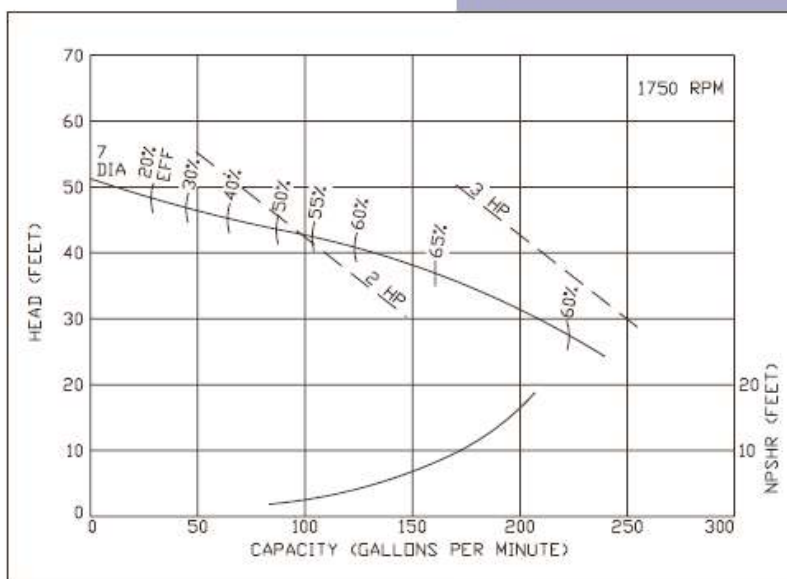
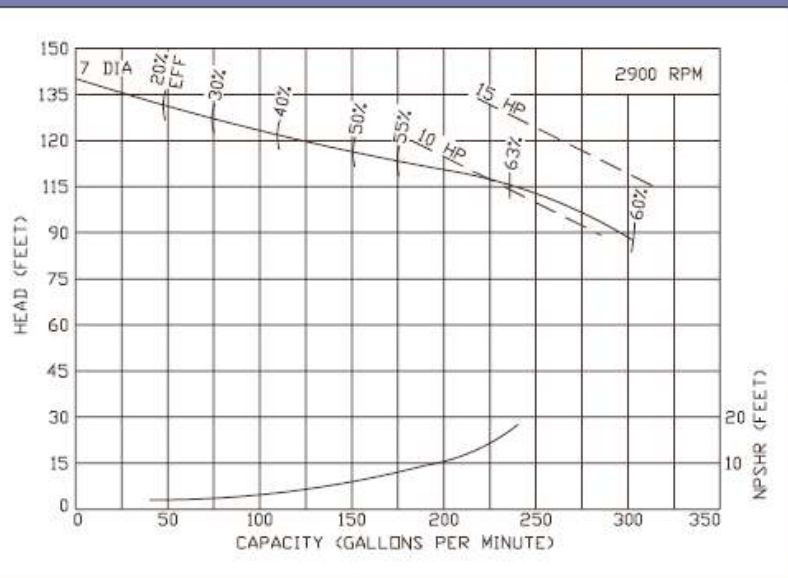
## MODEL RC2/RCH2 3X3X7

Curves show approximate characteristics based on clear 68° water. Rated point is guaranteed.



RC2/RCH2 self-priming pumps are close coupled to JM frame motors and have NPT threaded connections.

Seal options include Type 21, Type 1 and Type 9 with choice of sealing materials.



# Ampco Pumps Company

4424 West Mitchell Street  
 Milwaukee, Wisconsin 53214  
 PHONE (414) 643-1852  
 FAX (414) 643-4452