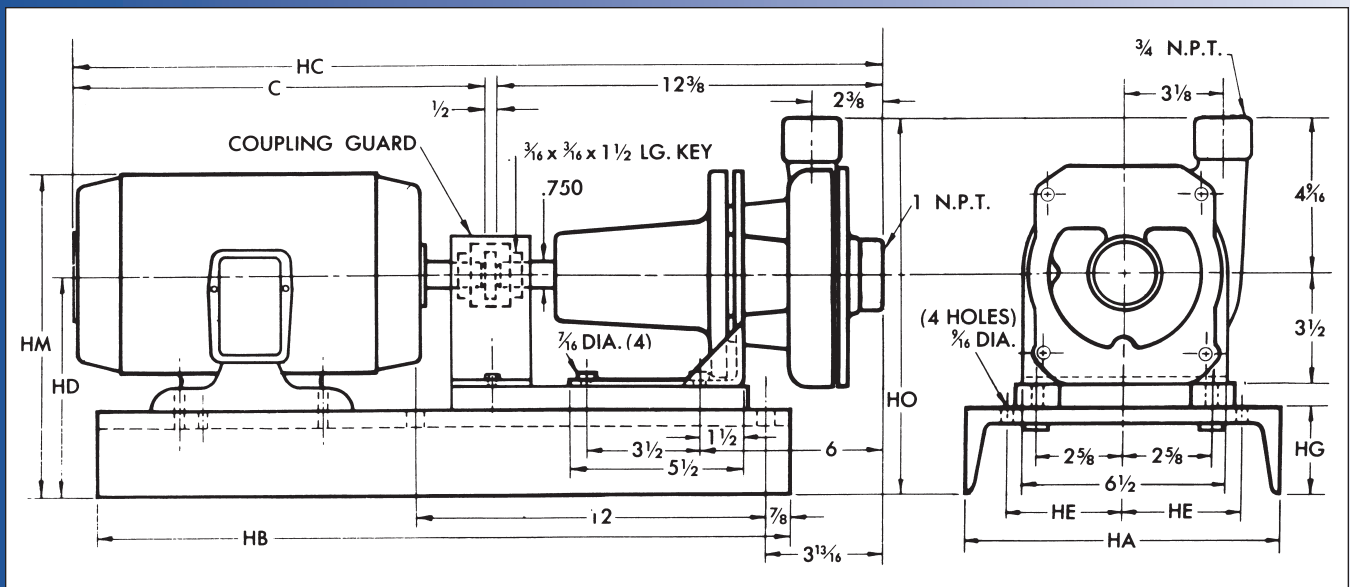
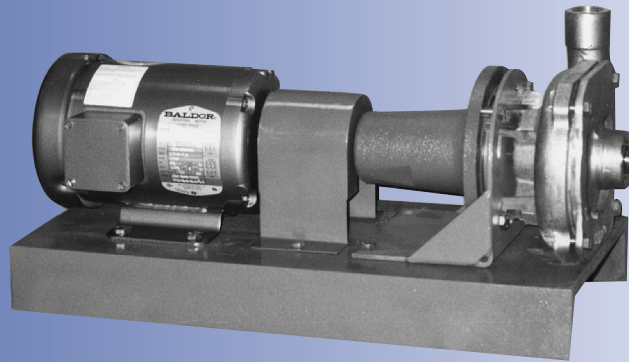


# Ampco Centrifugal Pumps

## DATA SHEET

MODEL KP 1X<sup>3</sup>/<sub>4</sub>  
NICKEL ALUMINUM BRONZE



			DIMENSIONS IN INCHES (For Reference Only)								
TYPE	PUMP SIZE	FRAME SIZE	C	HA	HB	HC	HD	HE	HG	HM	HO
KP2	1 X 3/4	48	11-1/2	8	20	24-3/8	5-3/8	2-3/4	1-7/8	8-1/2	9-15/16
KP2	1 X 3/4	56 & 56H	12-1/2	8	20	25-3/8	5-3/8	2-3/4	1-7/8	8-31/32	9-15/16
KP2	1 X 3/4	56HZ, 143T, 145T	13-1/16	8	20	25-15/16	5-3/8	2-3/4	1-7/8	9-9/32	9-15/16
KP2	1 X 3/4	182T & 184T	15-3/8	10	22	28-1/4	7-1/8	3-3/4	2-5/8	11-3/4	11-11/16

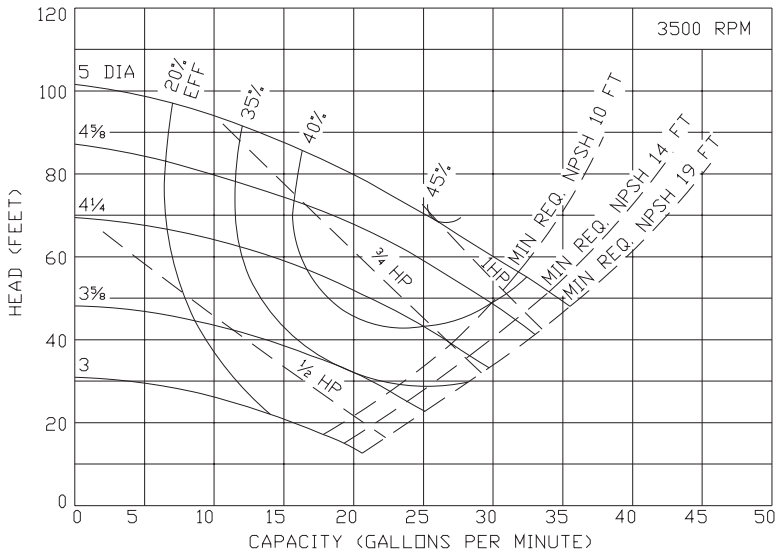
## MATERIAL SPECIFICATIONS

PART NAME	NICKEL ALUMINUM BRONZE
Casing	AMPCO® 483
Cover	AMPCO® 483
Impeller	AMPCO® 483
Shaft	Steel
Frame	Cast Iron

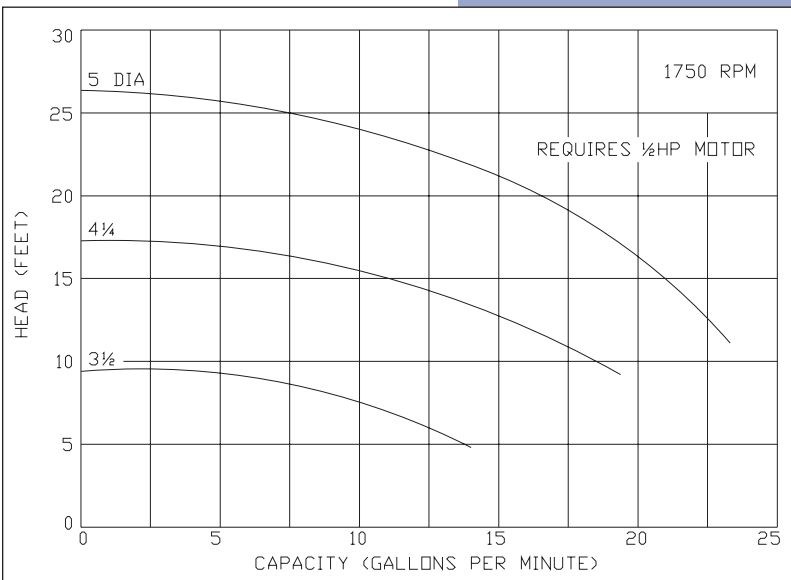
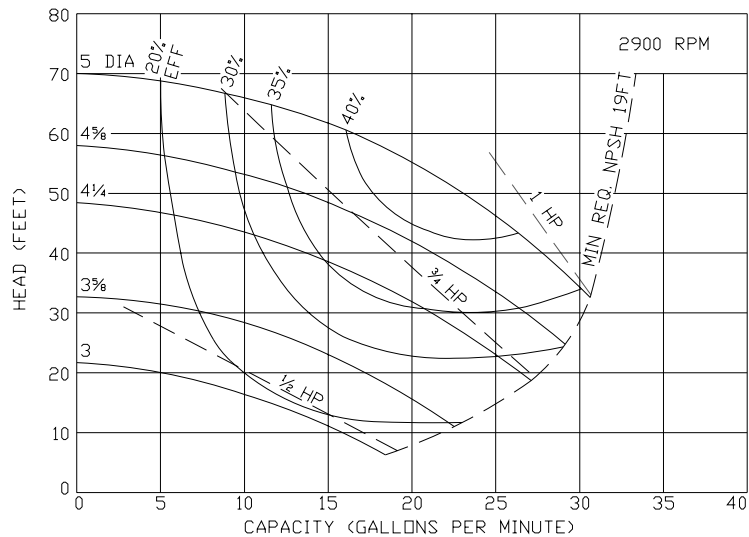
# Ampco Centrifugal Pumps

**MODEL KP 1X<sup>3/4</sup>  
NICKEL ALUMINUM BRONZE**

Curves show approximate characteristics based on clear 68° water. Rated point is guaranteed.



Standard K Series pumps have threaded NPT connections.  
Seal options include Type 21 and Type 9 with choice of sealing materials.



# Ampco Pumps Company

4424 West Mitchell Street  
Milwaukee, Wisconsin 53214  
PHONE (414) 643-1852  
FAX (414) 643-4452