



KC2/KP2 Pumps

- Centrifugal Pumps
 - Installation and Maintenance Manual

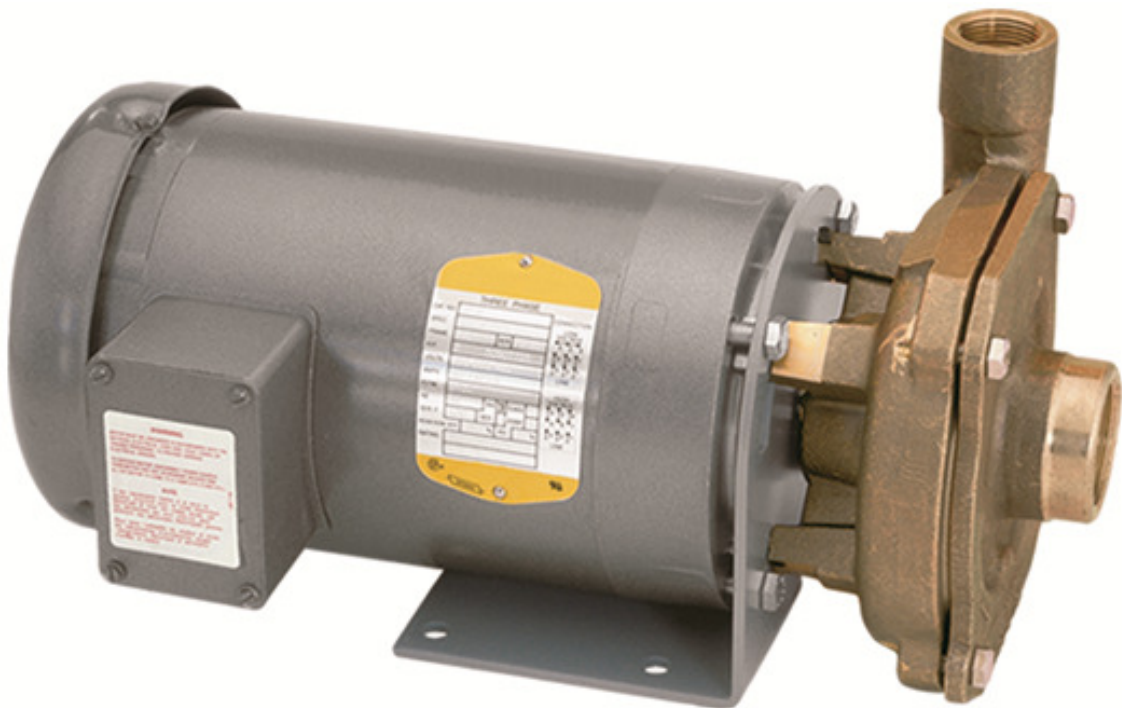


Table of Contents

Ampco Pumps Company

Introduction	3
Introduction	3
General Information	3
Shipping Damage or Loss	3
Receiving/Safety	4
Pump Receiving	4
Safety	4
Pump Information	5
Instructions	5
Location	5
Installation	5
Rotation	5
Maintenance	5
Service	6
Single Mechanical Seal	9
KC2 56J	9
KP	10
Applications	11
Troubleshooting	12
Ampco Pumps Terms and Conditions	13
Return Policy	16

Introduction

To ensure the best results and service, please read and fully understand this manual prior to putting this pump into service. For any questions regarding operation, maintenance, or installation, please contact your local distributor or Ampco Pumps Company:

*Ampco Pumps Company
2045 W. Mill Road
Glendale, WI 53209
Phone: (800) 737-8671 or (414) 643-1852
Fax: (414) 643-4452
Email: ampcocs@ampcopumps.com*

General Information

Each Ampco K Series pump is fully assembled, lubricated, and tested at the factory and shipped ready for use. Standard maintenance practices are outlined in this manual. For more information, please refer to Maintenance . Following these guidelines will provide long-lasting, trouble-free service when the pump(s) is incorporated in a properly designed system.

Shipping Damage or Loss

Upon receiving equipment that is damaged or if your shipment is lost in transit, immediately file a claim with the carrier. At time of pick-up, the carrier signed the bill of lading, acknowledging that they have received the product from Ampco in good condition.

Pump Receiving

Ampco covers the pump inlet and discharge ports prior to shipping, ensuring that foreign matter does not enter the pump during shipment. If the protective covers are missing upon arrival, remove the pump cover and inspect to ensure it is free from contaminate before turning the shafts. Please make note of the pump serial number; this will assist in the process of ordering replacement parts and/or a warranty claim. For more information regarding shipment damage or warranty, please refer to Terms and Conditions.

Safety

IMPORTANT: Read and understand this manual BEFORE installation, operation or maintenance of the pump. Improper installation, operation, or maintenance may result in severe injury or death. Equipment damage caused by user neglect will invalidate the pump warranty.

There are safety symbols used throughout this manual identifying safety concerns.



WARNING: Hazards or unsafe practices that COULD result in severe personal injury or death, and how to avoid them.

CAUTION: Hazards or unsafe practices that COULD result in minor personal injury or damage to product or property.

Instructions

The care required of this pump, while nominal, is very important. We recommend a careful review of the installation and maintenance covered in this manual to ensure extended trouble-free service.

Location

The motors used on Ampco pump units have been selected as the best for the anticipated environment. For greatest service life, mount the pump and motor where the environment is relatively clean, dry, and non-corrosive. Standard totally enclosed motors may be installed where dirt, moisture, and mild corrosion are present or in outdoor locations. Specialty motors may be required for moist, corrosive, or explosive environments. Motor drain plugs (if not equipped with automatic drains) must be removed periodically to drain accumulated condensation. Pump units should be located where daily visual inspection is possible and no surrounding structure interferes with ventilating air over or through the motor.

Installation

Installation of Ampco pumps should be made as close to the supply of liquid as possible, with short and direct suction piping. Avoid high points in the piping where air pockets can form. The suction and discharge piping should be simple with the connections properly aligned to prevent any strain from being placed on the pump casing. Provisions should be made for pipe expansion and contraction in services handling hot or cold liquids. Base-mounted pedestal pumps must be realigned AFTER installation and piping is completed.

Rotation

Check the direction of rotation BEFORE starting the pump. Correct rotation is counterclockwise as viewed from the pump inlet. Incorrect rotation may cause catastrophic failure. Close coupled pumps will be equipped with single phase motors properly sequenced or with three phase motors labeled to indicate required power sequence ABC or CBA for correct rotation. Use a phase sequence indicator to identify the power source sequence. For base mounted pumps disconnect the coupling and check the motor rotation while disconnected from the pump.

Maintenance

Daily observation of Ampco pumps while in operation is the ounce of prevention needed to extend the service life. Mechanical seals are selected for maximum life with due consideration to the economy of the installation. The seal is the only expendable item. Other pump parts are designed for indefinite life expectancy, except as they may be corroded and/or eroded by aggressive products or by misapplication such as under sizing, oversizing, cavitation, etc. Bearings on some pedestal pumps and some motors are pre-lubricated and require no additional lubrication.

The schedule for re-greasing other types of bearings will vary, depending on size, speed, duty, and environment. For guidance, a steady running, indoor installation in a relatively clean atmosphere at 4°C (104°F) ambient should not require grease for two years. Care should also be taken not to over grease motors. Pumps handling corrosive or otherwise aggressive solutions should be flushed with clean water after each use because stagnant conditions are usually most corrosive. In seawater, Ampco Alloy pumps provide cathode protection for stainless steel parts. To prevent crevice corrosion and pitting, drain and then flush the pump with fresh water when inactive for periods greater than one week.

Ampco KC2 and KP2 pumps fitted with standard mechanical seals have all-metal seal parts of 316 stainless steel, carbon rotating face, ceramic stationary seat, and Buna-N elastomers. Other seal types are supplied when specified. Optional materials such as Viton, EPDM, or Teflon elastomers, Tungsten Carbide, Silicon Carbide, or Ni-Resist faces can be supplied when requested. The mechanical seal should be replaced at the first sign of leakage where the shaft enters the pump. Leakage may cause motor bearing damage. Also, since the primary seal surfaces are lapped to precise flatness, the seal should be replaced whenever the pump is dismantled to the point of separating the seal faces. Always keep a replacement seal kit on hand. It includes a complete seal along with the gasket and o-ring required to rebuild the pump.

There may be other pump assemblies; parts and seal arrangements not shown or otherwise described in this pamphlet, which require the same philosophy of seal positioning. It is suggested that highlights of these instructions be applied while paying close attention to parts arrangement during dismantling.

Service

Dismantle and Replace Parts as Follows:

Before attempting any service on the pump or motor, disconnect or lock out electrical power to the pump motor. If the pump and motor are to be removed as a unit, note the wiring configuration. Use colored or numbered tape to mark the wire connections of the motor and power source, to retain correct direction of rotation when reconnecting. Incorrect rotation may cause catastrophic failure.

It is recommended that the complete unit be removed and serviced on a workbench. For the close coupled KC2, disconnect the power and mark the wires for reconnection. For the base mounted KP2, disengage the coupling and remove the pump and pedestal.

1. Remove the suction cover by unbolting the four cap screws (9/16" wrench). Note the condition of the gasket, which will adhere either to the suction cover or the casing.

2. Unscrew the impeller from the shaft, turning in a counterclockwise direction; Loctite used during assembly may require heating impellers of all type KC2 and KP2 to assist in removal. Apply approximately 350°F heat to the center of the impeller. A screwdriver slot on the motor shaft opposite the pump is provided for steadying the shaft. Use of a strap wrench on the impeller hub is recommended to prevent marring. Otherwise, file or polish out wrench marks before reusing the impeller.

The fluid end of the pump is now sufficiently dismantled for completing most repairs and replacements, including the mechanical seal.

3. If it is necessary to repair or replace the motor of a close coupled assembly or the bearing adapter of a pedestal assembly, unbolt the cap screws fastening the pump to the motor or pedestal, thus disengaging the casing and bracket.

The mechanical seal is the only expendable pump part. It is suggested that the complete mechanical seal, both stationary and rotating members, be replaced whenever dripping or leakage occurs at the shaft, or whenever parts are removed to the point of separating the primary sealing surfaces.

4. Remove the rotating parts of the mechanical seal from the impeller's shaft like Extension. The seals flexible bellows may stick tightly to the impeller stem. Bathe in the oil to soften the adhesive, or cut away with a knife. Remove the o-ring from the shaft I.D.

5. The stationary seal and its cup gasket or o-ring may be removed while the casing is in an assembled position with a wire hook (coat hanger wire). Insert the hook between the I.D. of the seat and the shaft and pull forward, or remove the casing and press the seal out.

6. Thoroughly clean the impeller stem, seat cavity, and motor shaft with solvent and dry with a clean cloth.

An anti-seize lubricant was originally applied to the I.D. of the impeller that fits over the shaft and is retained by an o-ring. Either preserve this lubricant or add fresh lubricant to the I.D., the shaft, and replace the o-ring. One drop of oil applied on the shaft will prevent the o-ring from binding on the shaft while assembling the impeller.

7. Lightly oil bore and finger press stationary seat with gasket or o-ring into its cavity. Seat (usually ceramic) is fragile, do not abuse.

8. Clean the polished face of the stationary seat with a lint-free cloth or tissue, and lightly coat this surface with SAE-10 or equivalent oil. Care should be taken that the cleaning material and the oil are free of foreign particles. Do not use grease or allow grease onto the sealing surfaces.

9. Place the rotating portion of the mechanical seal on the shaft like extension of the impeller which should be lightly oiled (SAE 10W-30) to facilitate sliding of the bellow by softening an adhesive film on the seal. (Use soap, glycerin, etc. if oil is not permitted i.e. EPDM). Do not use grease, as this will prevent the adhesive film from resetting. Final adherence to the impeller stem is essential for shaft, impeller, and seal to rotate as a unit. First place the spring retainer and spring over the impeller shaft. Then press the carbon rotating subassembly down the impeller shaft until it engages the spring. Do not continue to slide the assembly down the shaft once the rotating assembly has engaged the spring. Inspect the carbon sealing face and remove any foreign particles with a lint-free cloth or tissue. Do not allow grease on the sealing surface.

10. Place the impeller with mechanical seal in place on the drive shaft. Slight pressure is required to start the o-ring on the shaft. Proceed to screw the impeller clockwise onto the threaded shaft, utilizing the slot on the opposite end of the shaft to steady the shaft. Hand tighten or use a strap wrench, or other non-marring device such as a jar opener.

11. The pump assembly is completed by reinstalling the suction cover plate and its gasket. Be sure the casing and gasket surfaces are relatively clean and free of foreign particles.

12. Your pump is now ready to be reinstalled into its accompanying pipe system and the motor reconnected.

One way to damage a new seal is to run it dry. Be sure the pump is in place and primed before operating or checking rotation.

Note: Starting the motor in the direction of unthreading the impeller will result in jamming and damaging the bearing and possibly other motor and pump parts. Motor connections should have been marked to avoid this possibility. Also, an economical phase sequence indicator will identify your A-B-C connections. If a reassembled pump unit is not going to be put back in service immediately, or if there is a real possibility for incorrect start up rotation, a suitable thread-locking compound may be used (i.e. Loctite #271).

KC2 56J

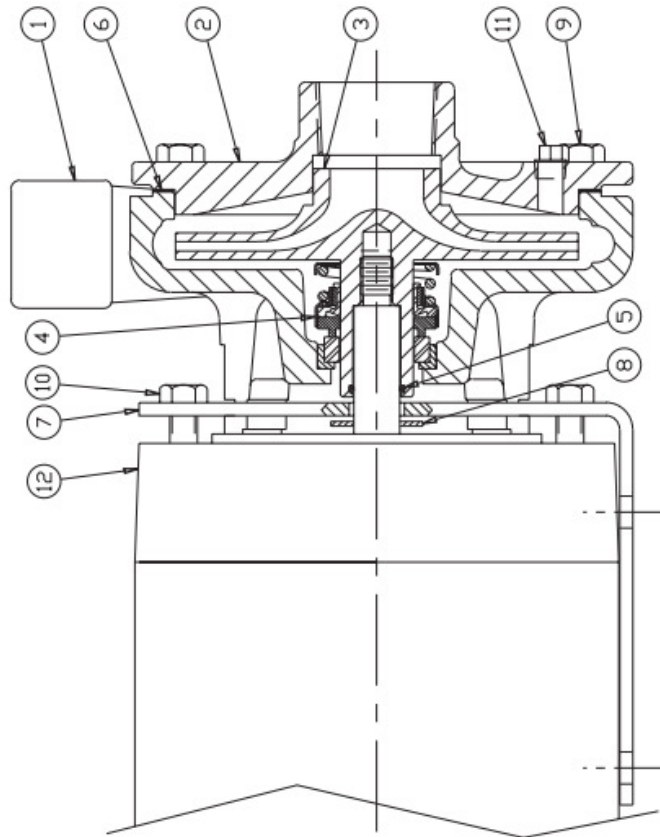
1x3/4, 1 1/4x1, 1 1/2x1

AMPCO PUMPS COMPANY
PARTS BREAKDOWN

DETAIL REQ. NO.	NO.	PART NAME
14'	2	DRIVE SCREW
13'	1	NAME PLATE
12	1	MOTOR
11	1	PIPE PLUG (OPTIONAL)
10	4	CAP SCREW (BRACKET/MOTOR)
9	4	CAP SCREW (CASING/COVER)
8	1	SLINGER
7	1	BRACKET
6	1	GASKET (CASING/COVER)
5	1	O-RING
4	1	MECHANICAL SEAL
3	1	IMPELLER
2	1	COVER
1	1	CASING

NOT SHOWN

NOTE: Please be sure to always include pump type, size, and serial number with any reference to above numbers and names.

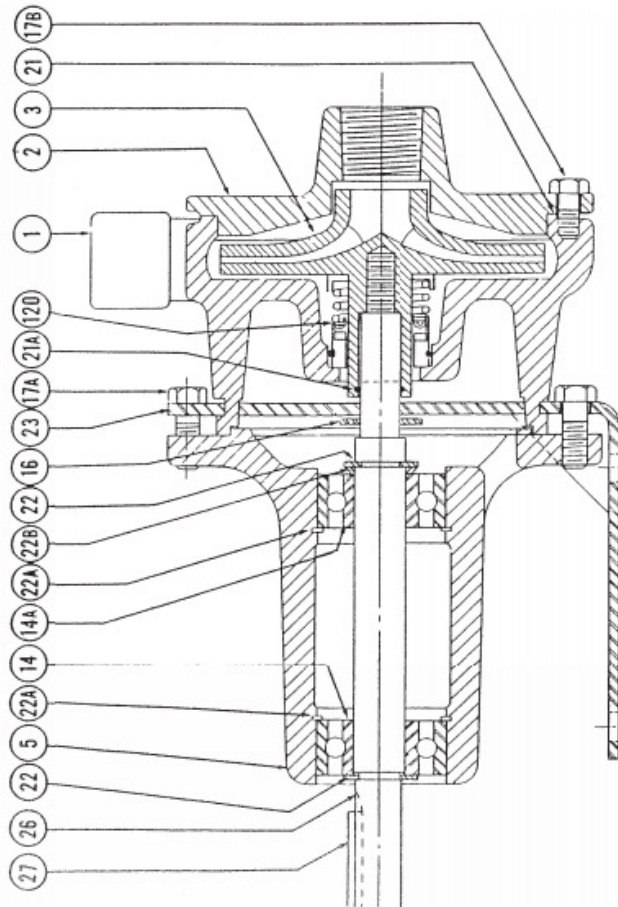


KP

AMPCO PUMPS COMPANY
PARTS BREAKDOWN

DETAIL	NO.	PART NAME
	120	MECHANICAL SEAL
	27	KEY - COUPLING
	26	SHAFT
	23	BRACKET
	22B	WAVE SPRING WASHER
	22A	INT. RETAINING RING
	22	EXT. RETAINING RING
	21A	O-RING (IMPELLER)
	21	GASKET (CASING/COVER)
	17B	CAP SCREW
	17A	CAP SCREW
	16	SLINGER
	14A	INBOARD BEARING
	14	OUTBOARD BEARING
	5	BEARING ADAPTER
	3	IMPELLER
	2	COVER
	1	CASING

NOTE: Please be sure to always include pump type, size, and serial number with any reference to above numbers and names.



Your Ampco pump was selected for a specific service. Other Ampco pump styles are available to successfully handle many additional applications including the following partial list. Ask your Ampco representative for complete information.

abrasive slurries	fatty acid	sodium chloride
activated carbon filter slurries	fermentation gas	sodium fluoride
acetone	formaldehyde	sodium hydroxide
alum solution	glycerin	solvent
amide solution	Hydrofluosilicic acid	spin bath solution (rayon)
anodizing solutions	hydrofluoric acid	starch
beer	lard oil and fatty acid	sugar liquor
beer filter slurry (diatomaceous earth)	luminescent solutions	stillage with solids
brine solutions	marine sanitary service	sulfuric acid
cane juice	marine water desalting equipment	tall oil
carbon suspension	molasses	tea
carbon tetrachloride	nitric acid	vinegar
caustic	oleic acid	vegetable oil
chromic acid	phosphoric acid	vinyl liquor
cleaning solutions	plating solution	water solutions
dye	potassium acetate	(corrosive and/or abra- sive)
deionized water	polyethyl benzene	whey
ethylene glycol	salt water (oil field)	wort (beer and molasses)
	sludge fuel	yeast cream

Consult Ampco Pumps Company for applications not listed.

Troubleshooting

It is to the user's advantage to be familiar with a systematic procedure to determine reasons and causes for unsatisfactory pump operation. The following list of troubles and causes is intended to assist users in determining the cause of any pumping trouble. Faulty installations can then be corrected and a clear description given to the manufacturer if assistance is required. Human judgement should not be relied on to measure operating conditions. Use proper instruments to measure values of pressure, suction lift, speeds, temperature rise of motors, etc. When motor speeds are incorrect, check connections and measure voltage at the motor terminals.

1. No liquid delivered
 - a. Pump and suction line not completely primed
 - b. Speed too low
 - c. Required discharge too high
 - d. Suction lift too high
 - e. Impeller, piping, or fittings completely plugged up
 - f. Wrong direction of rotation
2. Not sufficient capacity
 - a. Air leaks in suction pipe or shaft seal
 - b. Speed too low
 - c. Required discharge head too high
 - d. Suction lift too high or insufficient NPSH available
 - e. Impeller, piping, or fittings partially plugged
 - f. Insufficient positive suction head for hot water or other volatile liquids
 - g. Liquid viscosity too high
 - h. Mechanical problems- wear rings worn, impeller damaged, shaft seal defective
 - i. Wrong direction of rotation
 - j. Suction pipe entrance too close to surface of liquid
 - k. Air pocket in pipe high points
3. Not sufficient pressure
 - a. Speed too low
 - b. Mechanical problems- wear rings worn, impeller damaged, shaft seal defective
 - c. Small impeller diameter
 - d. Air or gas in liquid
 - e. Wrong direction of rotation
 - f. Air pockets in pipe high points
4. Pump operates for a while, then quits
 - a. Leaky suction line
 - b. Air leaking in through shaft seal
 - c. Suction lift too high or insufficient NPSH available
 - d. Air or gas in liquid
 - e. Suction piping and fitting not completely freed of air during priming
 - f. Air pockets in pipe high points
5. Pump takes too much power
 - a. Speed too high
 - b. Pumping too much water because required head is lower than anticipated
 - c. Viscosity and/or specific gravity is higher than specified
 - d. Mechanical problems- binding at wear rings from distortion due to piping strains, shaft bent, impeller rubbing casing, and/or stuffing box too tight
 - e. Wrong direction of rotation

AMPCO PUMPS

Made of SELECTED corrosion-resistant alloys

TERMS AND CONDITIONS OF SALE

1. ENTIRE AGREEMENT. This document contains all of the terms and conditions of the agreement ("the agreement") between Ampco Pumps Company, Inc. ("Seller") and the purchaser ("Purchaser") of the Products ("Products") to be sold to Purchaser, to the exclusion of any other statements and agreements, and to the exclusion of any terms and conditions incorporated in Purchaser's order or other documents of Purchaser. Seller's acceptance of Purchaser's order is expressly conditioned on Purchaser's acceptance of the terms and conditions contained herein, and Purchaser, upon placing an order, is presumed to have accepted all the terms and conditions without modification. No alteration, waiver, modification of or addition to the terms and conditions herein shall be binding on Seller unless set forth in writing and specifically agreed to by an officer of Seller. No course of dealing, usage of trade or course of performance will be relevant to supplement or explain any terms used in the agreement. All offers to purchase, quotations and contracts of sale are subject to final acceptance by Seller at its home office at Milwaukee, Wisconsin.

2. PRICES. Prices for Products manufactured by Seller pursuant to written accepted orders will remain firm for thirty (30) days from the date of any subsequent price change.

3. TERMS OF PAYMENT. Standard terms are ½% 10 days, 30 days net, from date of invoice unless otherwise stated. If, in the judgment of Seller, the financial condition of Purchaser at any time does not justify continuance of production or shipment on the terms of payment specified, Seller may require full or partial payment in advance. In cases of delays in payment, Seller reserves the right to charge interest on delinquent balances at the rate of 1 ½% per month.

4. DELIVERY. Except as otherwise provided expressly stated in the agreement, Products are sold F.O.B. Milwaukee. Seller will use reasonable commercial efforts to fill orders within the time stated, but the stated delivery date is approximate only, and Seller reserves the right to readjust shipment schedules without liability. Acceptance by Purchaser of the Products waives any claim for loss or damage resulting from a delay, regardless of the cause of the delay. Except as otherwise provided herein, Seller will not be responsible for freight, transportation, insurance, shipping, storage, handling, demurrage or similar charges. Claims by Purchaser for shortages in the Products must be made to Seller in writing within ten (10) days after date of receipt of the Products. No such shortage shall entitle Purchaser to withhold payment for Products which were received by Purchaser. Each such claim shall set forth in detail the basis and amount of such claim.

5. TAXES AND FEES. Seller shall pay all present and future sales, excise, privilege, use or other taxes, customs duties, and all other fees or other costs, imposed by any federal, state, foreign, or local authorities arising from the sale, purchase, transportation, delivery, storage, use or consumption of the Products or will, if applicable, provide Seller with an appropriate exemption certificate. Seller shall be under no obligation to contest the validity of any such taxes or to prosecute any claims for refunds or returns.

6. INSTALLATION. The Products shall be installed by and at the expense of Purchaser.

7. LOSS, DAMAGE OR DELAY. Seller will not be liable for loss, damage or delay resulting from causes beyond its reasonable control, including, without limitation, strikes or labor difficulties, lockouts, acts or omissions of any governmental authority or Seller, insurrection or riot, war, fires, floods, Acts of God, breakdown of essential machinery, accidents, embargoes, cargo or material shortages, delays in transportation, lack of production capacity or inability to obtain labor, materials or parts from usual sources. In the event of any such delay, performance will be postponed by such length of time as may be reasonably necessary to compensate for the delay. In the event performance by Seller under the agreement cannot be accomplished by Seller due to any of the foregoing causes within a reasonable period of time, Seller may, at its option, terminate the agreement without liability.

8. RETURNS. No Products or parts may be returned by Purchaser without the prior written consent of Seller.

9. WARRANTY. Seller warrants that the Products manufactured by Seller will be free from defects, material and workmanship under normal use and service for a period of one (1) year from date of shipment. In addition, the specified rating of each pump is warranted; however, the characteristic shape of the performance curves may vary from the published standards, and the capacity, head and efficiency guarantees are based on actual shop tests using clear cold water, and therefore the rating is specified in equivalent units of clear cold water. The sole obligation of Seller and the exclusive remedy of Purchaser for breach of this warranty shall be the repair (at Seller's facility) or replacement by Seller (F.O.B. Milwaukee, Wisconsin), at Seller's option, of any parts found to be defective, without charge and shall be conditioned upon Seller receiving written notice of any alleged breach of this warranty within a reasonable time after discovery of the defects, but in no event later than the end of the warranty period. The parts alleged to be defective shall be returned to Seller upon its request, freight prepaid. This warranty does not cover ordinary wear and tear, abuse, misuse, overloading, alteration or Products or parts which have not been installed, operated or maintained in accordance with Seller's written instructions. Seller shall not be liable for any expenses for repairs, additions or modifications to the Products outside of Seller's factory without its prior written consent, and any such repairs without such consent shall void this warranty. THIS WARRANTY IS EXCLUSIVE AND IS IN LIEU OF ALL OTHER EXPRESS AND IMPLIED WARRANTIES WHATSOEVER, INCLUDING BUT NOT LIMITED TO IMPLIED WARRANTIES OF MERCHANTABILITY AND FITNESS FOR A PARTICULAR PURPOSE. Seller may from time to time provide its facilities, personnel and experience to assist customers in the selection of materials, design, installation and operation of Products for maximum resistance to corrosion and abrasion with due consideration to the economy of the installation. This service is provided in an advisory capacity only and the final selection and operation of the Products and ancillary equipment shall be the sole responsibility of Purchaser or any user thereof. Accessories and parts manufactured by third parties are warranted only to the extent of such third party's warranty. IN NO EVENT SHALL SELLER BE LIABLE UNDER ANY CIRCUMSTANCES FOR ANY INCIDENTAL, CONSEQUENTIAL OR SPECIAL DAMAGES (INCLUDING, WITHOUT LIMITATION, ANY LOST PROFITS OR LABOR COSTS) ARISING FROM THE BREACH OF THIS WARRANTY OR OTHERWISE ARISING FROM OR RELATING TO THE PRODUCTS OR THEIR SALE, USE OR INSTALLATION.

10. CHANGES. Changes in any work to be performed hereunder may be made only upon Purchaser's written instructions and acceptance by Seller in its discretion. Any change in drawings, materials or design of the Products, or to tools, fixtures or other items used to produce the Products, which affects Seller's cost to produce the Products will entitle Seller to adjust the price to take into account any additional costs. If work has been started, Seller shall be properly reimbursed for work already performed; if Products already produced are not accepted by Purchaser, Seller has the right to adjust the price to take into account any additional costs caused by an increase or decrease in quantities or in the time required for performance under the agreement.

11. TERMINATION. After Seller has commenced work, ordered any materials or made any other commitments pursuant to the agreement, it may be terminated only with the prior written agreement of Seller providing for equitable cancellation charges. Such charges shall reimburse Seller for any completed items at the contract price, and for any work-in-process items at the contract price less the cost to complete. Termination on any other basis must be specifically agreed on in writing in advance between Purchaser and Seller.

12. DEFERRED DELIVERIES. Orders or deliveries will be deferred only upon the prior written agreement of Seller in its discretion, and then only upon the following conditions:

(a) The deferral period may not exceed sixty (60) days. At the end of the deferral period, if no release is provided by Purchaser, Seller reserves the right to render an invoice for and ship the completed portion of the order to the destination specified in Purchaser's order, or to store such material at Purchaser's expense at Seller's standard storage charges then in effect.

(b) For the portion of the order that is not completed, if no release is provided by Purchaser at the expiration of the deferral period, Seller reserves the right to render an invoice for any completed items at the contract price, and for any work-in-process items at the contract price less the cost to complete.

(c) Purchaser shall bear the risk of loss or damage to materials held at Purchaser's request.

13. LIMITATION OF LIABILITY. IN NO EVENT SHALL SELLER BE LIABLE UNDER ANY CIRCUMSTANCES: (a) FOR ANY INCIDENTAL, CONSEQUENTIAL OR SPECIAL DAMAGES (INCLUDING, WITHOUT LIMITATION, ANY LOST PROFITS OR LABOR COSTS) ARISING FROM OR RELATING TO THE PRODUCTS OR THEIR SALE, USE OR INSTALLATION; (b) FOR DAMAGES TO PROPERTY (OTHER THAN THE PRODUCTS PURCHASED FROM SELLER); (c) FROM ANY BREACH OF ITS WARRANTY OR ANY OTHER OBLIGATIONS TO BUYER; OR (d) FOR ANY OTHER CAUSE WHATSOEVER, WHETHER BASED ON WARRANTY (EXPRESSED OR IMPLIED) OR OTHERWISE BASED ON CONTRACT, OR ON TORT OR OTHER THEORY OF LIABILITY, AND REGARDLESS OF ANY ADVICE OR REPRESENTATIONS (WHETHER OR NOT IN WRITING) THAT MAY HAVE BEEN RENDERED BY SELLER CONCERNING THE DESIGN, MANUFACTURE, SALE, USE OR INSTALLATION OF THE PRODUCTS.

14. INFRINGEMENT. Seller at its expense will defend and hold Purchaser harmless from and against all damages, costs and expenses arising from any valid claim of infringement by a third party with respect to any patent or other intellectual property rights (collectively, the "Intellectual Property Rights") caused by Products originally manufactured by Seller, provided Purchaser (a) has not modified such Products, (b) gives Seller immediate notice in writing of any claim or commencement or threat of suit, and (c) permits Seller to defend or settle the same, and gives all immediate information, assistance and authority to enable Seller to do so. In the event any such originally manufactured Products are held to infringe an Intellectual Property Right and if Purchaser's use thereof is enjoined, Seller will, at its expense and option: (1) obtain for Purchaser the right to continue using the Products, (2) supply non-infringing Products, (3) modify the Products so that they become non-infringing, or (4) refund the then market value of such Products. In no event shall Seller's liability exceed the sale price of the infringing Products. THE FOREGOING REPRESENTS SELLER'S ENTIRE AND EXCLUSIVE OBLIGATION WITH RESPECT TO ANY CHARGE OF INFRINGEMENT OF ANY INTELLECTUAL PROPERTY RIGHT AND IS IN LIEU OF ANY STATUTORY WARRANTY RELATING TO INFRINGEMENT. Notwithstanding the foregoing, Seller shall have no liability as to any Products or parts thereof that are manufactured or modified by Purchaser or a third party, or that are manufactured or modified by Seller in accordance with Purchaser's specifications. Purchaser will defend and hold Seller harmless from and against all damages, costs and expenses whatsoever arising from any claim for infringement of any Intellectual Property Rights relating to Products that have been manufactured or modified by Seller according to specifications provided by Purchaser.

15. CERTAIN LAWS. Seller will comply with the applicable requirements of the Fair Labor Standards Act of 1938, as amended, Executive Order 11246, and THE rules, regulations and orders of the Secretary of Labor relating thereto.

16. PERIOD FOR ACCEPTING QUOTATIONS. Unless accepted without modification within thirty (30) days of issuance, or prior to withdrawal by Seller if earlier, all quotations automatically expire at the end of such thirty (30) day period.

Terms and Conditions

Ampco Pumps Company

17. PROVISIONS FOR INTERNATIONAL TRANSACTIONS. The following provisions shall apply if the Products are to be shipped to Purchaser at a location outside the United States, and apply regardless of other provisions set forth in these Terms and Conditions:

(a) The 1980 United Nations Convention on Contracts for the International Sale of Products shall not apply.

(b) Except as otherwise provided expressly stated in the agreement, terms of delivery are Ex-Works (within the meaning of INCOTERMS 2000) and all customs fees, import duties, cargo insurance, taxes and other charges imposed on or relating to the purchase or sale of the Products shall be paid by Purchaser in addition to the stated price.

(c) Except as otherwise provided expressly stated elsewhere in the agreement, payment shall be made by issuance to Seller of an irrevocable letter of credit which (i) is issued and confirmed by a U.S. bank acceptable to Seller, (ii) is governed by the Uniform Customs and Practice for Documentary Credits (UCP 600) and otherwise acceptable in form and substance to Seller, and (iii) provides for payment to Seller of the purchase price in U.S. dollars upon presentation by Seller of Seller's certification and/or such other documents as shall be required by the letter of credit. All banking and other charges for such letter of credit shall be for the account of Purchaser.

(d) Prices include Seller's standard commercial export packaging which may vary depending on whether shipment is made by air, land or sea. Except as otherwise provided expressly stated in the agreement, Purchaser will bear any additional expenses required to satisfy Purchaser's packaging requirements. Packages will be marked in accordance with Purchaser's instructions, if any. Seller shall furnish packing lists and such other information as may be necessary to enable Purchaser's agent to prepare documents required for export shipment.

(e) All shipments hereunder are subject to compliance with the U.S. Export Administration Act, as amended, regulations thereunder and all other U.S. laws and regulations concerning exports. Purchaser shall comply with all such laws and regulations concerning the use, disposition, re-export and sale of the Products provided hereunder.

18. GENERAL. No modification or waiver of the agreement or any of its provisions is valid unless expressly agreed to by Seller in writing, and no waiver by Seller of any default under the agreement is a waiver of any other or subsequent default. The unenforceability or invalidity of one or more of the provisions of the agreement will not affect the enforceability or validity of any other provision of the agreement. Purchaser may not assign any of its rights, duties or obligations under the agreement without Seller's prior written consent and any attempted assignment without such consent, even if by operation of law, will be void. The agreement is governed by and shall be construed in accordance with the laws of the State of Wisconsin, including the Uniform Commercial Code as enacted by such state, without giving effect to its conflict of laws principles.

Return Policy

Ampco Pumps Company

This policy is intended for returns that are not covered by product warranty, i.e. wrong pump or part was ordered, customer canceled order, etc. Before returning any product, contact us for a Returned Material Authorization Number (RMA#). This will eliminate confusion when the parts are received and facilitate processing the return. No action will be taken on returned parts without an RMA.

<u>Type of Return</u>	<u>Restocking Charge</u>
Standard pump with a replacement order	10%
Standard pump without a replacement order	15%
Standard parts with a replacement order	5%
Standard parts without a replacement order	10%

Additional restocking charges may be assessed for any of the following circumstances.

1. Special order motors and seals are not returnable unless we have a use for them. Credit will be determined on a case-by-case basis.
2. Impellers that are trimmed to a diameter that we don't regularly use are not returnable. Credit will be determined on a case-by-case basis.
3. Used seals and motors are not returnable.

Credits

Credit will be issued only after parts are returned and inspected. Customer is responsible for packaging parts so they are returned in "as new" condition. Any labor required by Ampco to return the parts to "as new" condition will be deducted from the credit.



Ampco Pumps Company
2045 W. Mill Road
Glendale, WI 53209
Phone: (800) 737-8671 or (414) 643-1852
Fax: (414) 643-4452
Email: ampcocs@ampcopumps.com

For additional information on the K series and other Ampco Pumps products, please visit our website: www.ampcopumps.com