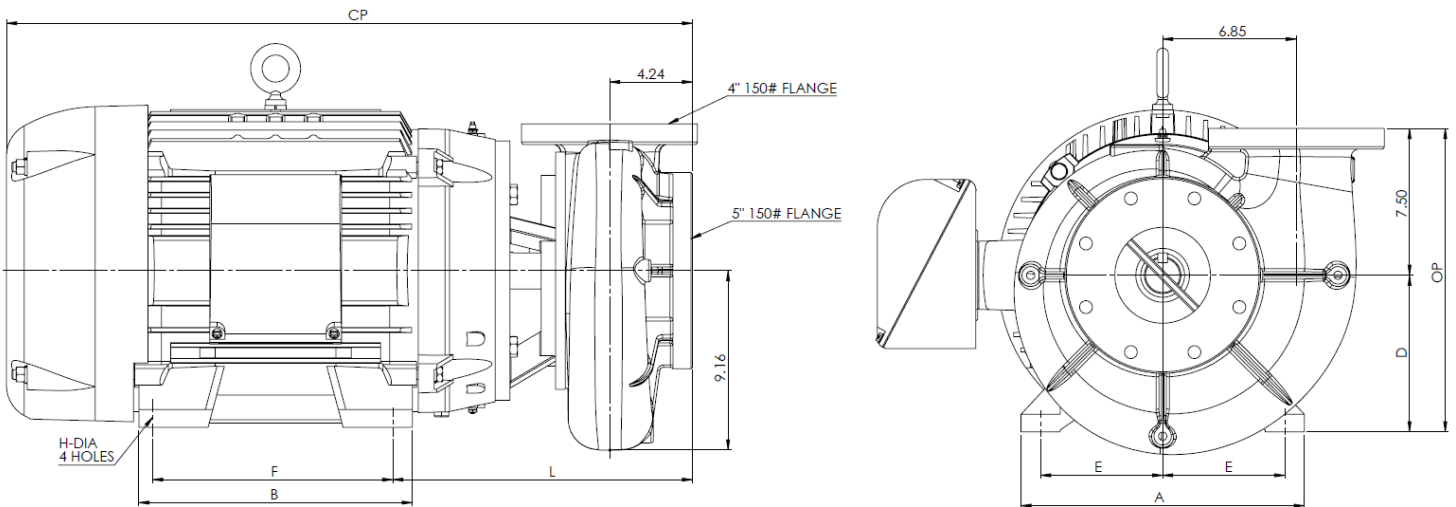
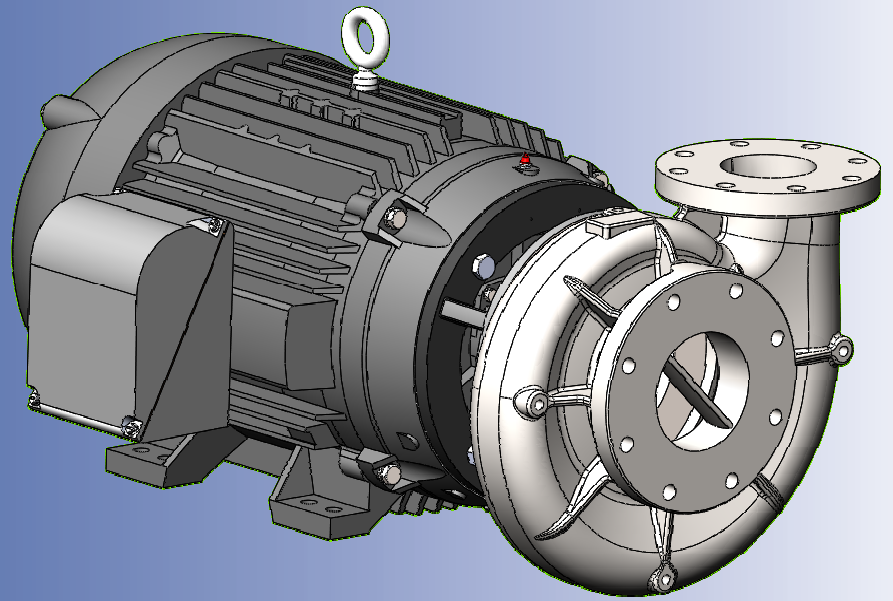


Ampco Centrifugal Pumps

DATA SHEET

MODEL ZCH2 5 x 4P



NEMA JM MOTOR			DIMENSIONS IN INCHES (For Reference Only)									APPROX. WEIGHT (lbs)
HP	RPM	FRAME	A (max)	B (max)	D	E	F	H	L	CP	OP	
10	1750	215JM	9.50	8.00	5.25	4.25	7.00	13/32	13.36	25.50	12.75	351
15	1750	254JM	11.50	9.75	6.25	5.00	8.25	17/32	14.86	27.68	13.75	452
20	1750	256JM	11.50	11.50	6.25	5.00	10.00	17/32	14.86	34.68	13.75	460
25	1750	284JM	12.75	12.84	7.00	5.50	11.00	17/32	14.86	31.56	14.50	525
30	1750/3500	286JM	12.75	12.84	7.00	5.50	11.00	17/32	14.86	31.56	14.50	590
40	3500	324JM	14.50	14.00	8.00	6.25	12.00	21/32	15.35	35.23	15.50	661
50	3500	326JM	14.50	14.00	8.00	6.25	12.00	21/32	15.35	35.23	15.50	685
60	3500	326JM	14.50	14.00	8.00	6.25	12.00	21/32	15.35	Contact Ampco	15.50	Contact Ampco
75	3500	326JM	14.50	14.00	8.00	6.25	12.00	21/32	15.35	Contact Ampco	15.50	Contact Ampco
100	3500	405TCZ	Contact Ampco	Contact Ampco	10.00	8.00	Contact Ampco	13/16	Contact Ampco	Contact Ampco	17.50	Contact Ampco

MATERIAL SPECIFICATIONS

PART NAME	NICKEL ALUMINUM BRONZE	STAINLESS STEEL
Casing, Cover & Impeller	AMPCO® 483	316 Stainless
Wear Ring	AMPCO® 18	316 Stainless
Motor Shaft	Steel	Steel
Shaft Sleeve	AMPCO® 18	316 Stainless
Adapter	Cast Iron	Cast Iron

* Also available in Duplex 2205