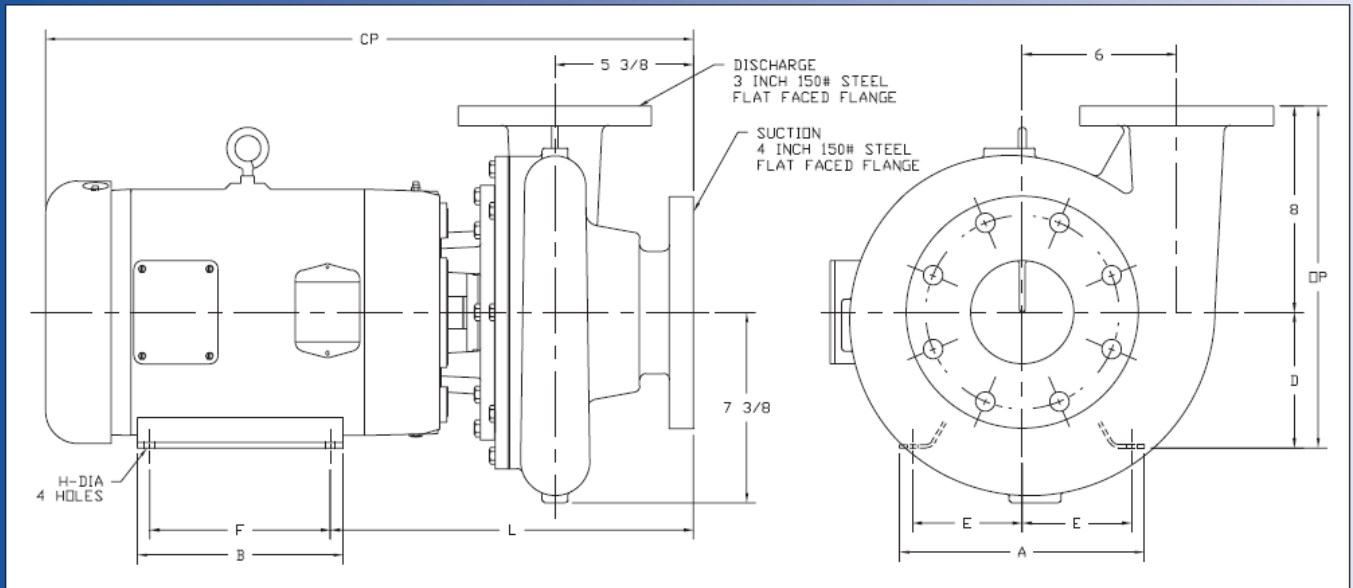
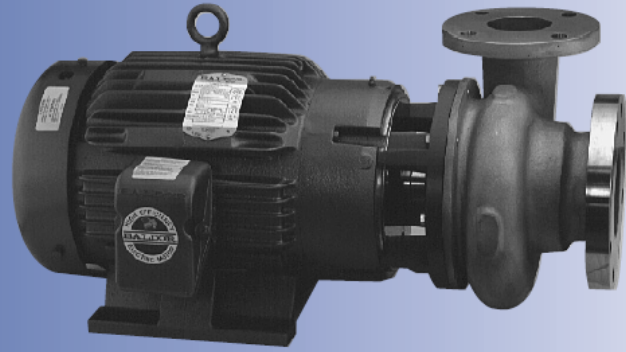


Ampco Centrifugal Pumps

DATA SHEET

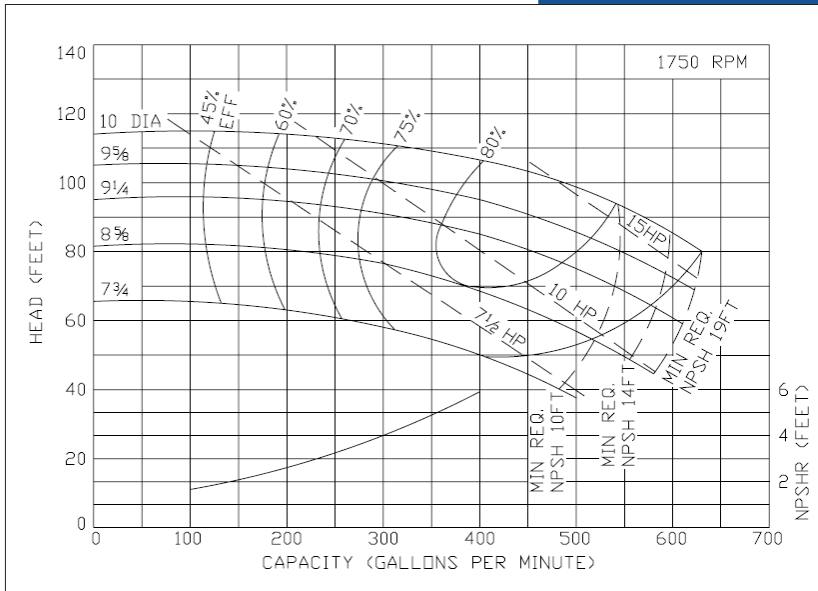
MODEL ZC2/ZCH2 4X3L



TEFC MOTOR			DIMENSIONS IN INCHES (For Reference Only)									APPROX. WEIGHT (LBS)
HP	RPM	FRAME	A (typ)	B (typ)	D	E	F	H	L	CP	OP	
7-1/2	1750	213JM	9-1/2	8	5-1/4	4-1/4	5-1/2	13/32	14-1/8	25-1/8	13-1/4	296
10	1750	215JM	9-1/2	8	5-1/4	4-1/4	7	13/32	14-1/8	26-5/16	13-1/4	314
15	1750	254JM	11-1/2	9-3/4	6-1/4	5	8-1/4	17/32	15-3/8	28-7/16	14-1/4	477
20	1750	256JM	11-1/2	11-1/2	6-1/4	5	10	17/32	15-3/8	30-1/2	14-1/4	525

MATERIAL SPECIFICATIONS

PART NAME	NICKEL ALUMINUM BRONZE	STAINLESS STEEL	DUPLEX 2205
Casing, Cover, & Impeller	AMPCO® 483	316 Stainless	Duplex 2205
Wear Rings	AMPCO® 18	316 Stainless	Duplex 2205
Motor Shaft	Steel	Steel	Steel
Shaft Sleeve	AMPCO® 18	316 Stainless	Duplex 2205
Adapter	Cast Iron	Cast Iron	Cast Iron



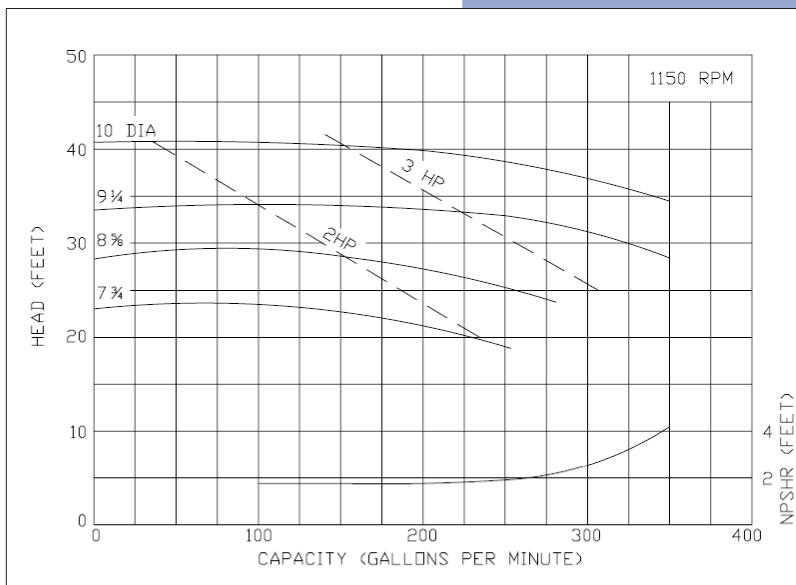
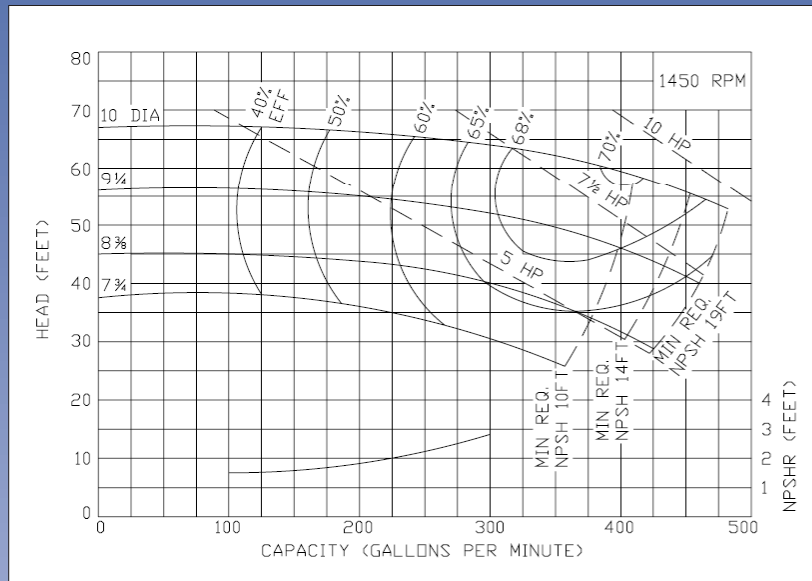
Ampco Centrifugal Pumps

MODEL ZC2/ZCH2 4X3L

Curves show approximate characteristics based on clear 68° water. Rated point is guaranteed.

Heavy-duty Z Series pumps have maximum wall thickness and 150 lb. flat faced flanged connections.

Seal options include Type 21, Type 1 and Type 9 with choice of sealing materials.



Ampco Pumps Company

4424 West Mitchell Street
 Milwaukee, Wisconsin 53214
 PHONE (414) 643-1852
 FAX (414) 643-4452