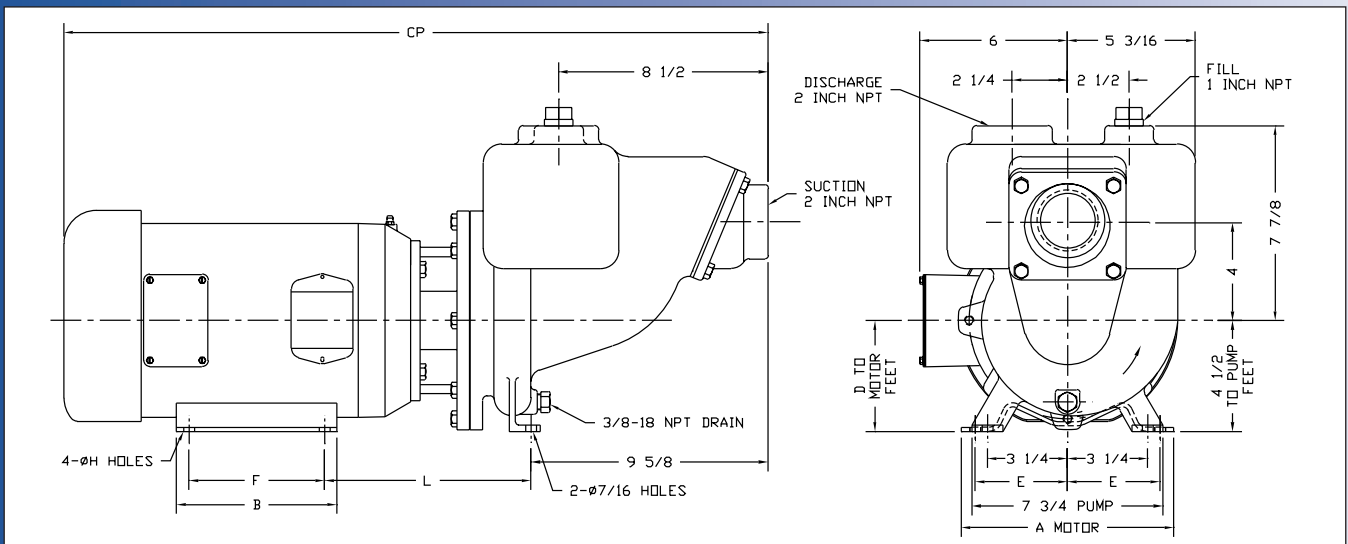
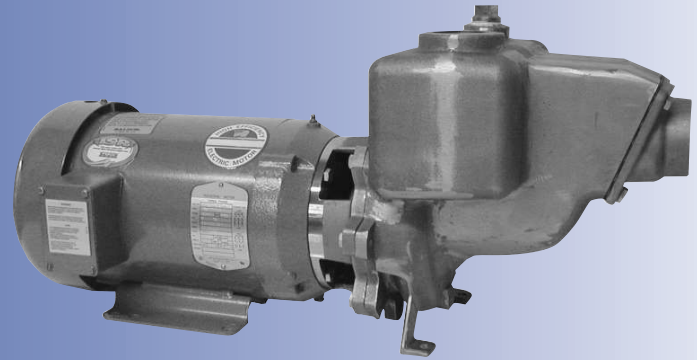


Ampco Centrifugal Pumps

DATA SHEET

MODEL RC2 2X2A



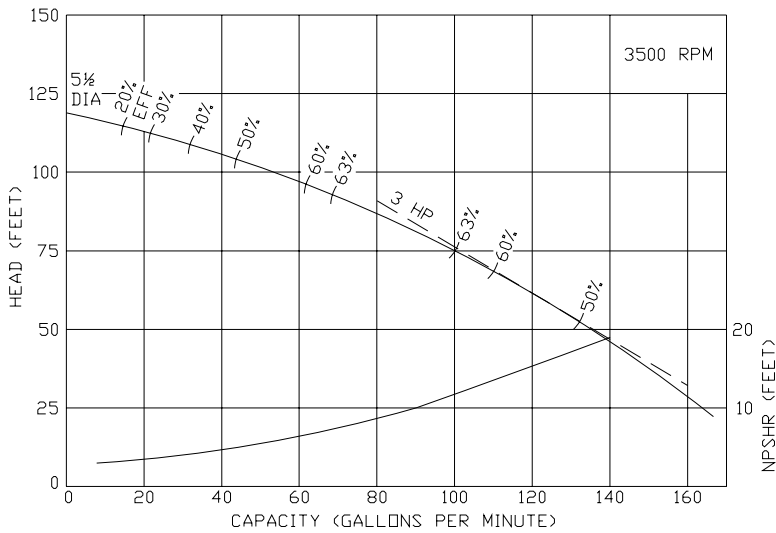
TEFC MOTOR			DIMENSIONS IN INCHES (For Reference Only)								APPROX. WEIGHT
HP	RPM	FRAME	A (max)	B (max)	D	E	F	H	L	CP	
1	1750	143JM	6-1/2	6	3-1/2	2-3/4	4	11/32	7-3/4	25-11/16	101
3	3500	182JM	8-5/8	6-1/2	4-1/2	3-3/4	4-1/2	13/32	8-3/8	27-1/16	113
5	3500	184JM	8-5/8	6-1/2	4-1/2	3-3/4	5-1/2	13/32	8-3/8	28-9/16	137

MATERIAL SPECIFICATIONS

PART NAME	NICKEL ALUMINUM BRONZE	STAINLESS STEEL
Casing, Impeller & Cover	AMPCO® 483	316 Stainless Steel
Shaft Sleeve	AMPCO® 18	316 Stainless Steel
Impeller Screw	AMPCO® 18	316 Stainless Steel
Motor Shaft	Steel	Steel

* Also available in Duplex 2205





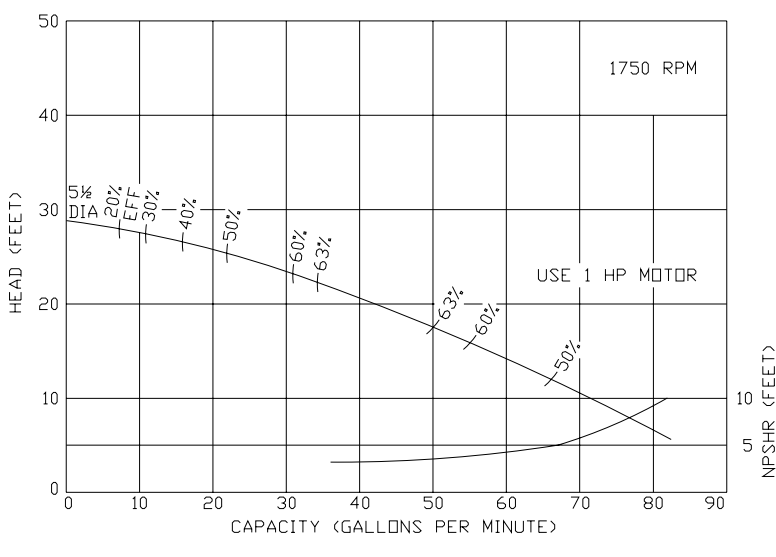
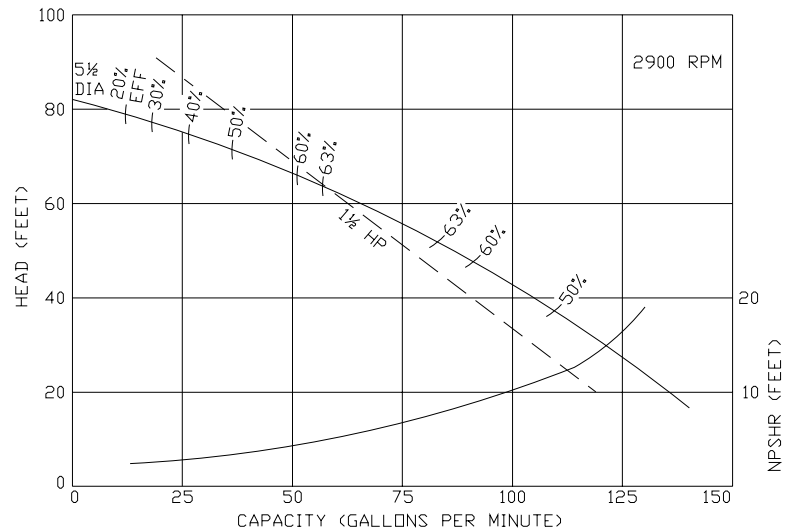
Ampco Centrifugal Pumps

MODEL RC2 2X2A

Curves show approximate characteristics based on clear 68° water. Rated point is guaranteed.

RC2 self-priming pumps are close coupled to JM frame motors and have NPT threaded connections.

Seal options include Type 21, Type 1 and Type 9 with choice of sealing materials.



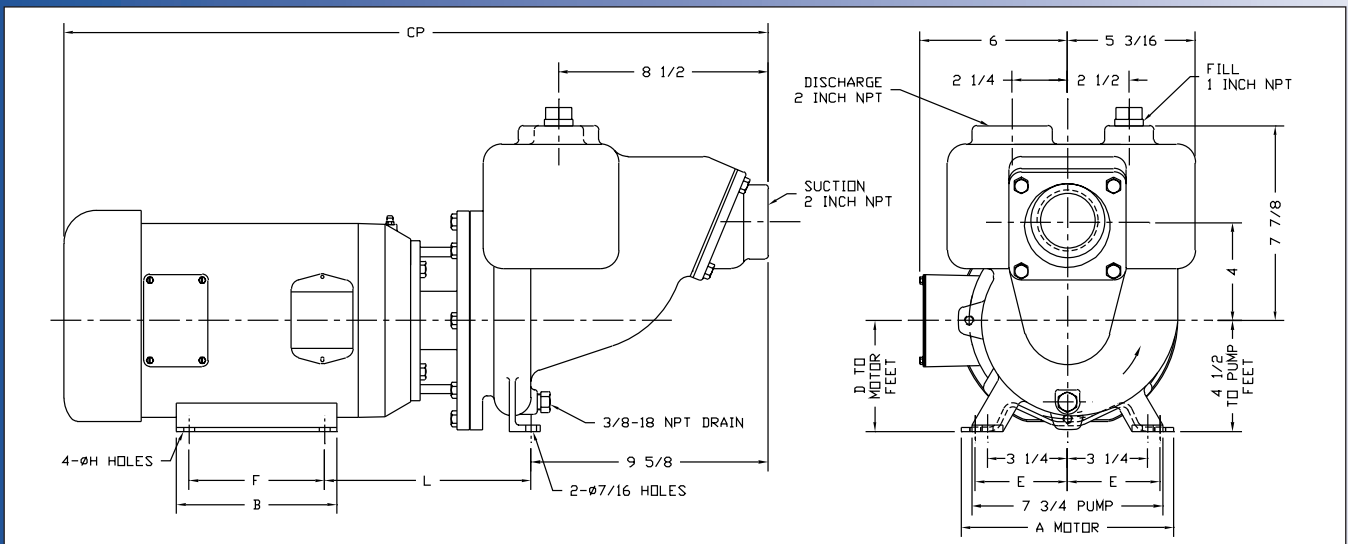
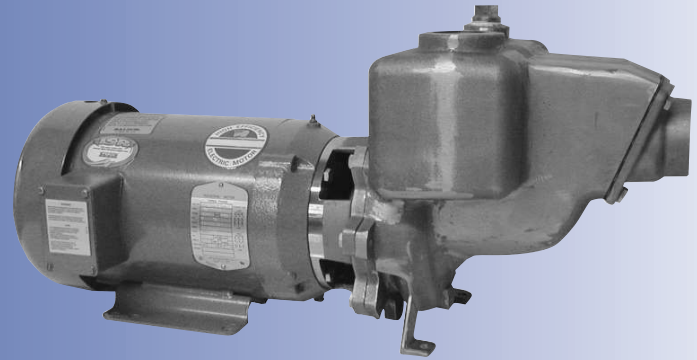
Ampco Pumps Company

4424 West Mitchell Street
Milwaukee, Wisconsin 53214
PHONE (414) 643-1852
FAX (414) 643-4452

Ampco Centrifugal Pumps

DATA SHEET

MODEL RC2 2X2B

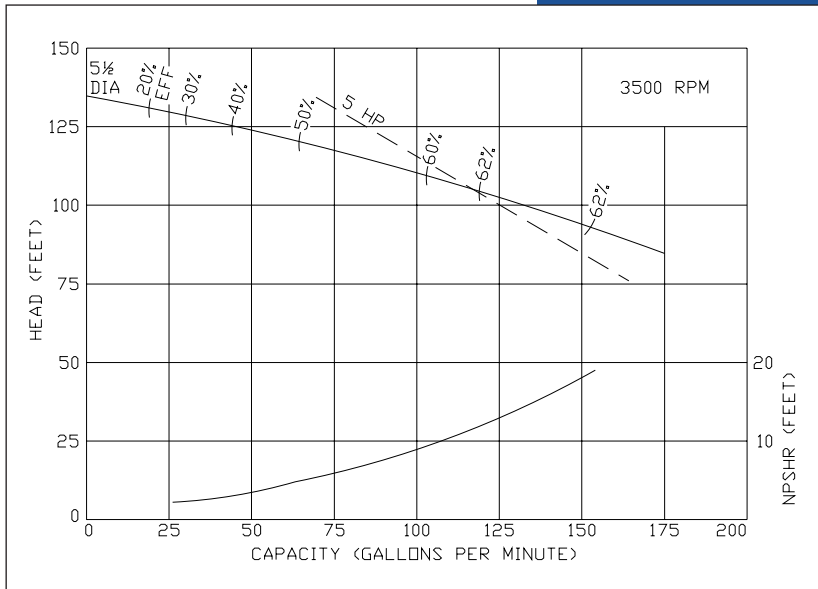


TEFC MOTOR			DIMENSIONS IN INCHES (For Reference Only)								APPROX. WEIGHT
HP	RPM	FRAME	A (max)	B (max)	D	E	F	H	L	CP	
1	1750	143JM	6-1/2	6	3-1/2	2-3/4	4	11/32	7-3/4	25-11/16	101
3	3500	182JM	8-5/8	6-1/2	4-1/2	3-3/4	4-1/2	13/32	8-3/8	27-1/16	113
5	3500	184JM	8-5/8	6-1/2	4-1/2	3-3/4	5-1/2	13/32	8-3/8	28-9/16	137
7-1/2	3500	184JM	8-5/8	6-1/2	4-1/2	3-3/4	5-1/2	13/32	8-3/8	30-1/16	152

MATERIAL SPECIFICATIONS

PART NAME	NICKEL ALUMINUM BRONZE	STAINLESS STEEL
Casing, Impeller & Cover	AMPCO® 483	316 Stainless Steel
Shaft Sleeve	AMPCO® 18	316 Stainless Steel
Impeller Screw	AMPCO® 18	316 Stainless Steel
Motor Shaft	Steel	Steel

* Also available in Duplex 2205



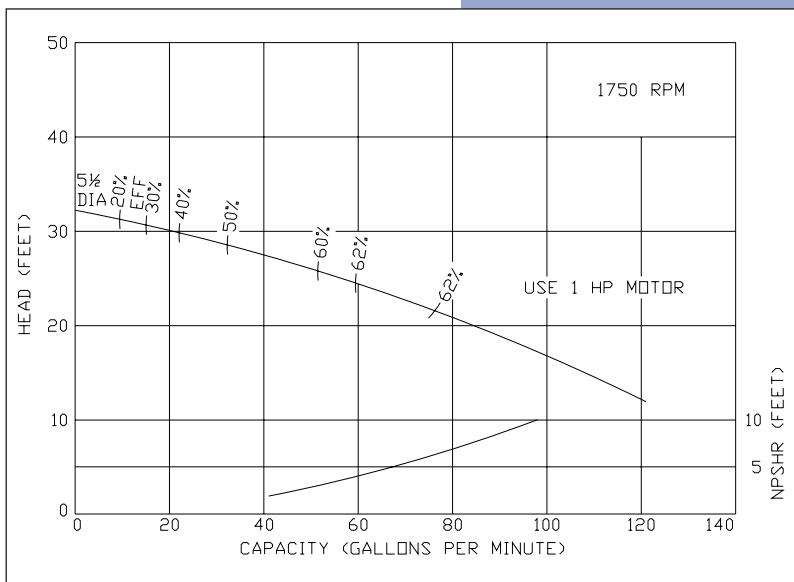
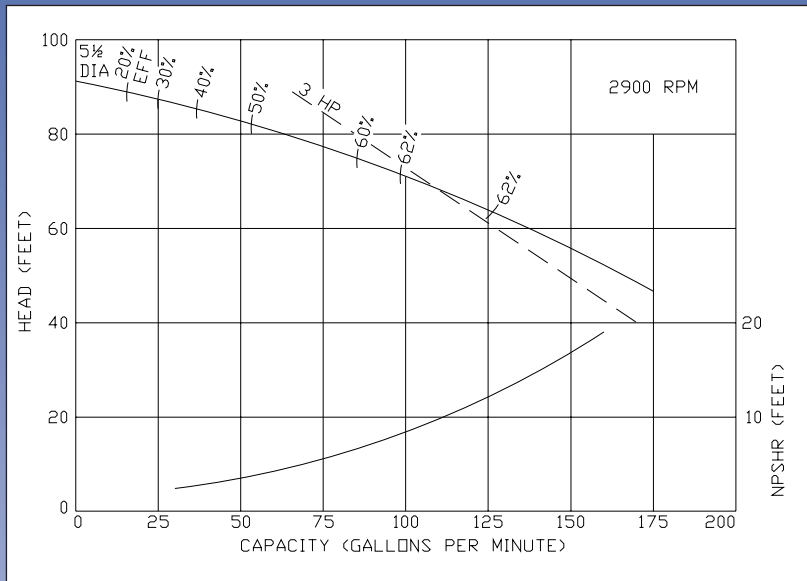
Ampco Centrifugal Pumps

MODEL RC2 2X2B

Curves show approximate characteristics based on clear 68° water. Rated point is guaranteed.

RC2 self-priming pumps are close coupled to JM frame motors and have NPT threaded connections.

Seal options include Type 21, Type 1 and Type 9 with choice of sealing materials.



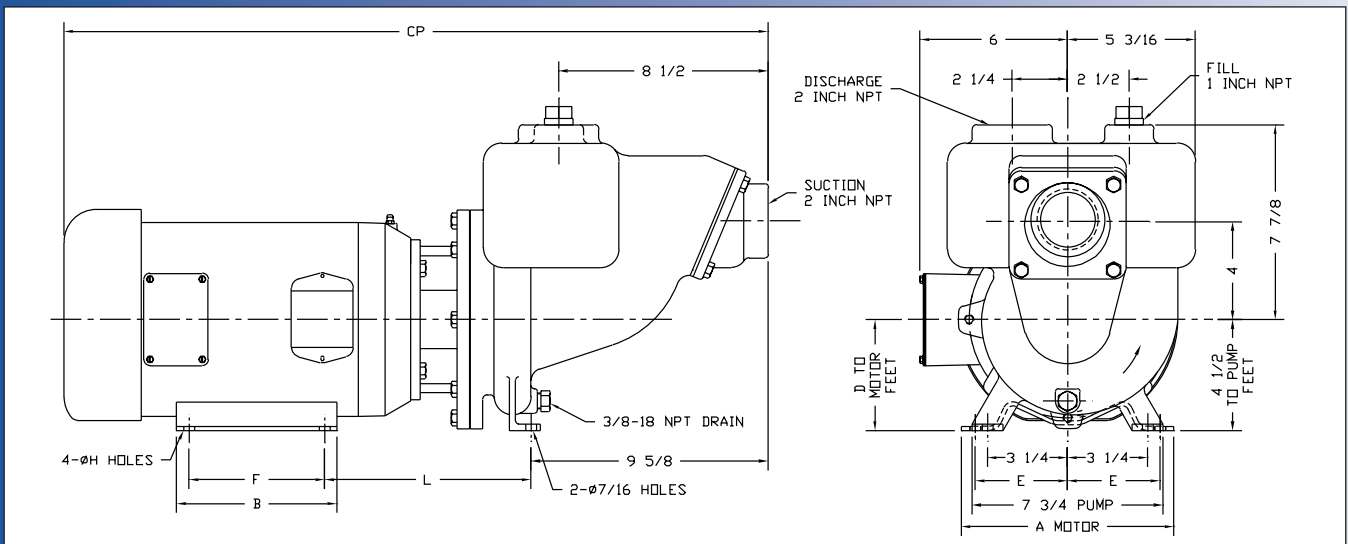
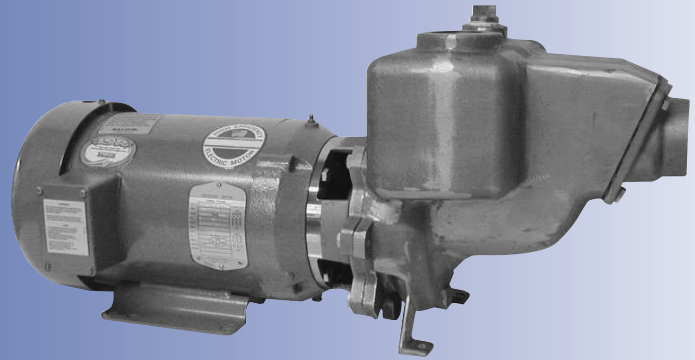
Ampco Pumps Company

4424 West Mitchell Street
 Milwaukee, Wisconsin 53214
 PHONE (414) 643-1852
 FAX (414) 643-4452

Ampco Centrifugal Pumps

DATA SHEET

MODEL RC2 2X2C



TEFC MOTOR			DIMENSIONS IN INCHES (For Reference Only)								APPROX. WEIGHT
HP	RPM	FRAME	A (max)	B (max)	D	E	F	H	L	CP	
1	1750	143JM	6-1/2	6	3-1/2	2-3/4	4	11/32	7-3/4	25-11/16	101
1-1/2	1750	145JM	6-1/2	6	3-1/2	2-3/4	5	11/32	7-3/4	25-11/16	107
5	3500	184JM	8-5/8	6-1/2	4-1/2	3-3/4	5-1/2	13/32	8-3/8	28-9/16	137
7-1/2	3500	184JM	8-5/8	6-1/2	4-1/2	3-3/4	5-1/2	13/32	8-3/8	30-1/16	152

MATERIAL SPECIFICATIONS

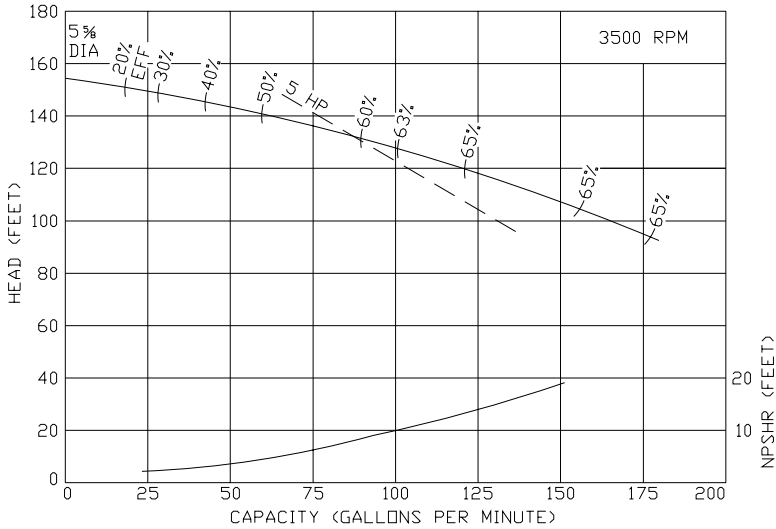
PART NAME	NICKEL ALUMINUM BRONZE	STAINLESS STEEL
Casing, Impeller & Cover	AMPCO® 483	316 Stainless Steel
Shaft Sleeve	AMPCO® 18	316 Stainless Steel
Impeller Screw	AMPCO® 18	316 Stainless Steel
Motor Shaft	Steel	Steel

* Also available in Duplex 2205

Ampco Centrifugal Pumps

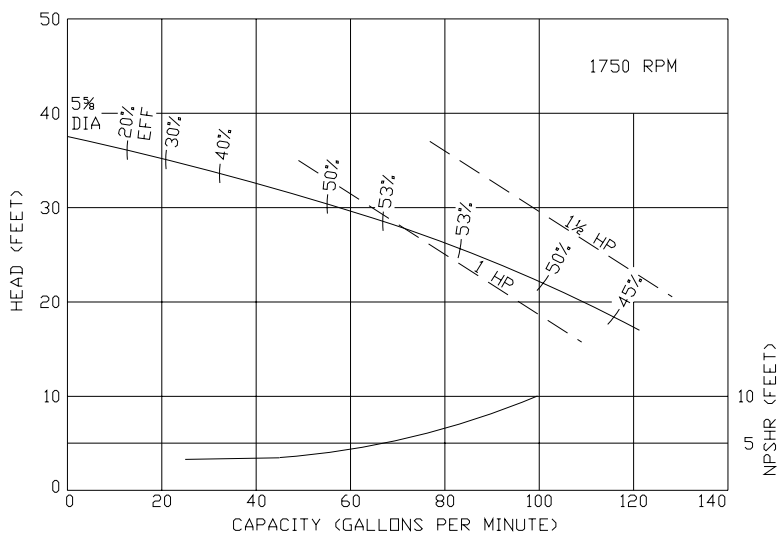
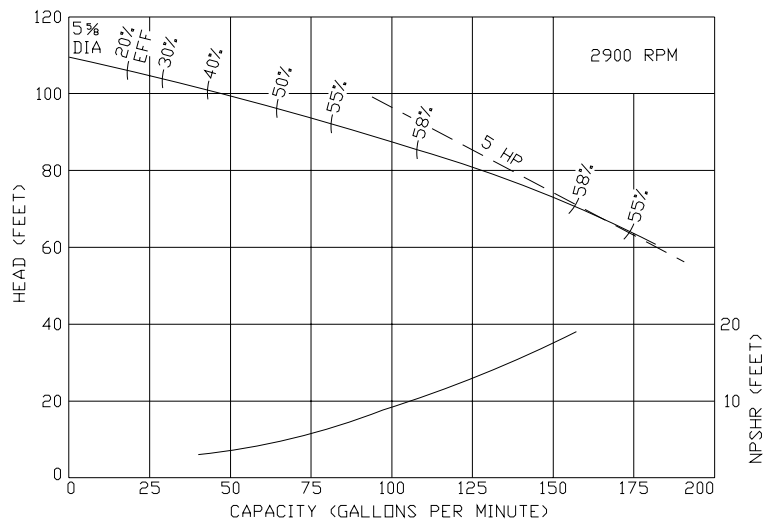
MODEL RC2 2X2C

Curves show approximate characteristics based on clear 68° water. Rated point is guaranteed.



RC2 self-priming pumps are close coupled to JM frame motors and have NPT threaded connections.

Seal options include Type 21, Type 1 and Type 9 with choice of sealing materials.



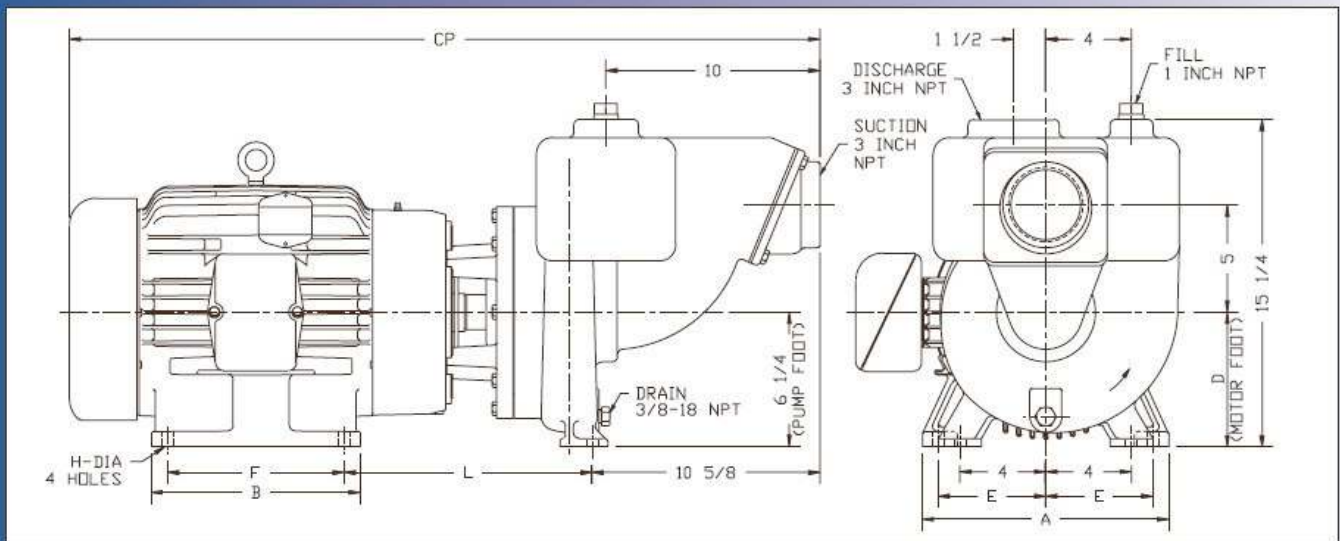
Ampco Pumps Company

4424 West Mitchell Street
Milwaukee, Wisconsin 53214
PHONE (414) 643-1852
FAX (414) 643-4452

Ampco Centrifugal Pumps

DATA SHEET

MODEL RC2/RCH2 3X3X7



TEFC MOTOR			DIMENSIONS IN INCHES (For Reference Only)								APPROX. WEIGHT
HP	RPM	FRAME	A (max)	B (max)	D	E	F	H	L	CP	
2	1750	145JM	6-1/2	6	3-1/2	2-3/4	5	11/32	8-7/16	27-1/2	154
3	1750	182JM	8-5/8	6-1/2	4-1/2	3-3/4	4-1/2	13/32	9-1/16	28-3/4	180
5	1750	184JM	8-5/8	6-1/2	4-1/2	3-3/4	5-1/2	13/32	9-1/16	30-1/4	193
15	3500	254JM	11-1/2	9-3/4	6-1/4	5	8-1/4	17/32	11-9/16	35	376
20	3500	256JM	11-1/2	11-1/2	6-1/4	5	10	17/32	11-9/16	36-3/4	414
25	3500	284JM	12-3/4	12-3/4	7	5-1/2	9-1/2	17/32	11-9/16	40-9/16	544

MATERIAL SPECIFICATIONS

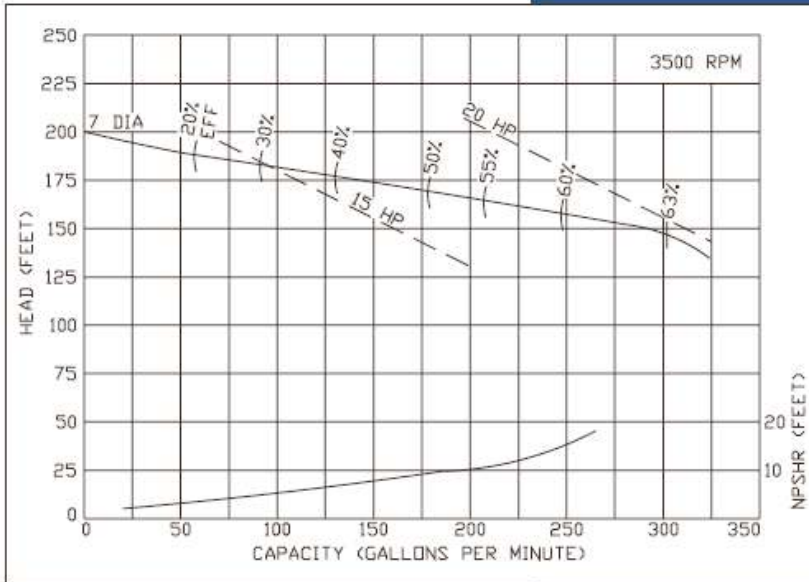
PART NAME	NICKEL ALUMINUM BRONZE	STAINLESS STEEL
Casing, Impeller & Cover	AMPCO® 483	316 Stainless Steel
Shaft Sleeve	AMPCO® 18	316 Stainless Steel
Impeller Screw	AMPCO® 18	316 Stainless Steel
Motor Shaft	Steel	Steel
Adapter	Cast Iron	Cast Iron

* Also available in Duplex 2205

Ampco Centrifugal Pumps

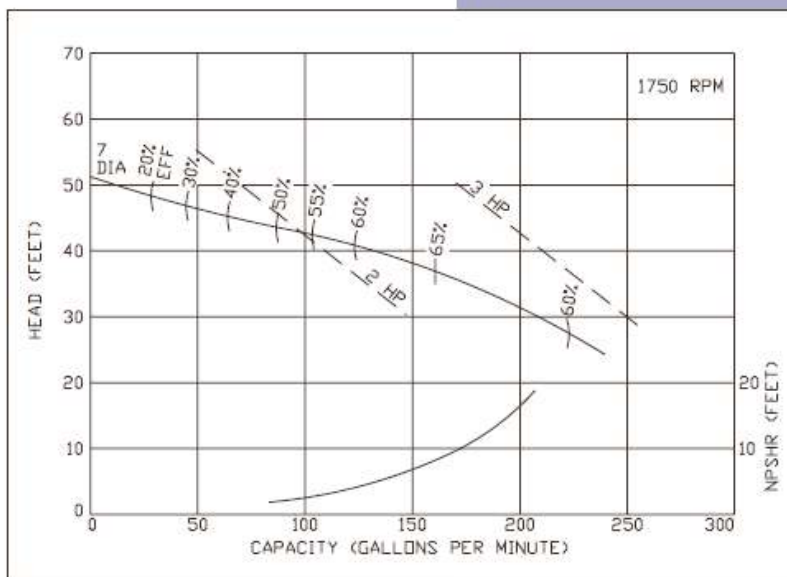
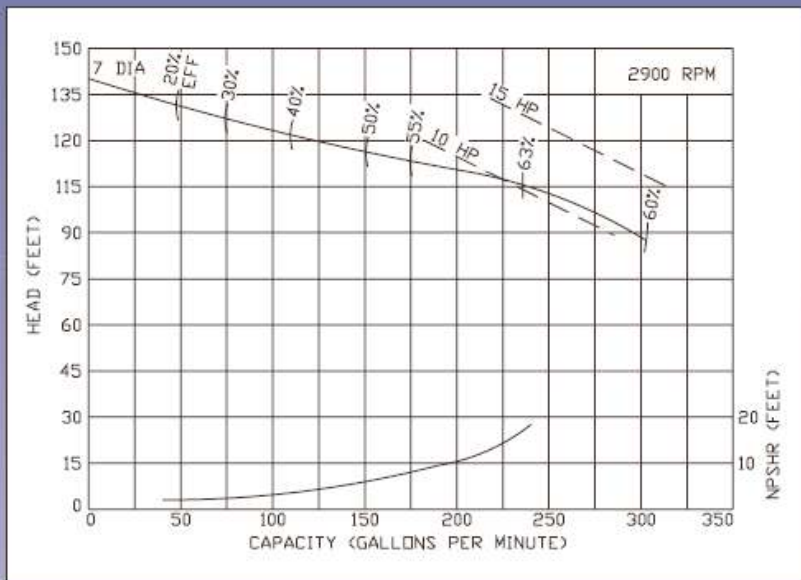
MODEL RC2/RCH2 3X3X7

Curves show approximate characteristics based on clear 68° water. Rated point is guaranteed.



RC2/RCH2 self-priming pumps are close coupled to JM frame motors and have NPT threaded connections.

Seal options include Type 21, Type 1 and Type 9 with choice of sealing materials.



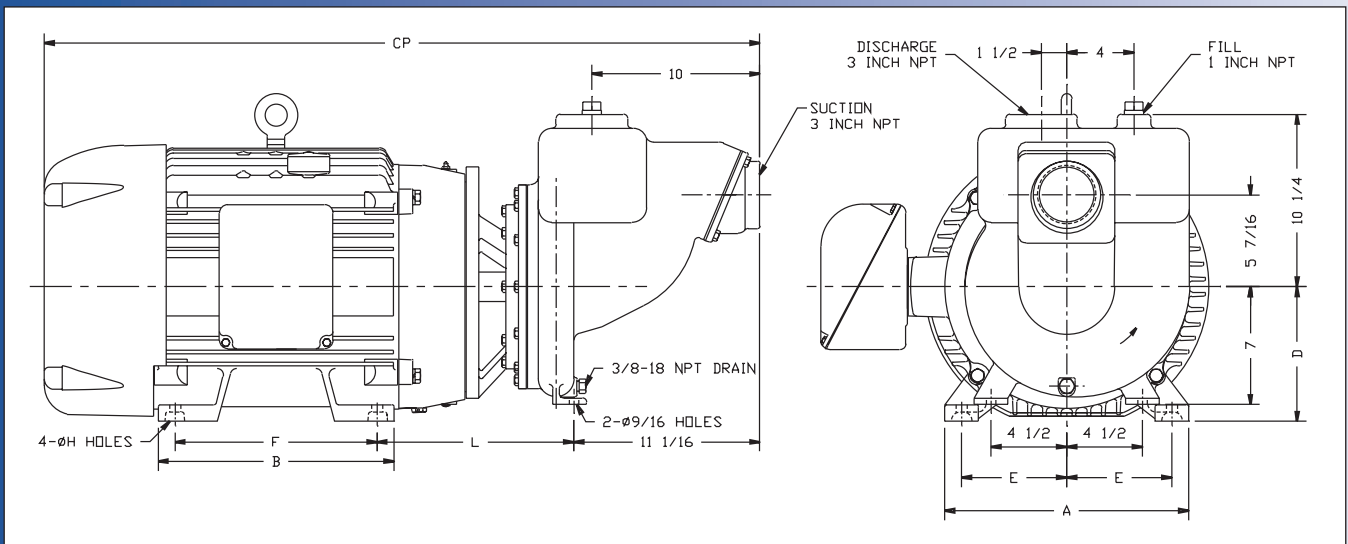
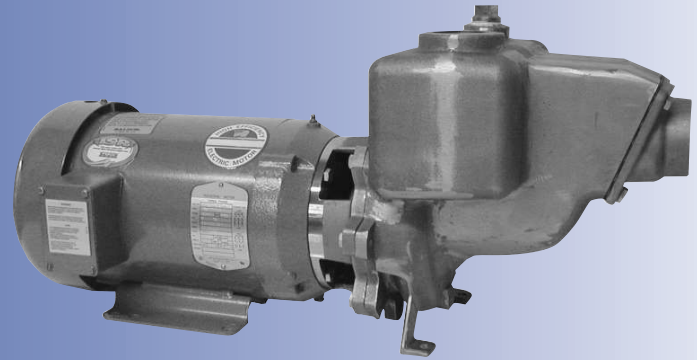
Ampco Pumps Company

4424 West Mitchell Street
 Milwaukee, Wisconsin 53214
 PHONE (414) 643-1852
 FAX (414) 643-4452

Ampco Centrifugal Pumps

DATA SHEET

MODEL RC2/RCH2 3X3



TEFC MOTOR			DIMENSIONS IN INCHES (For Reference Only)								APPROX. WEIGHT
HP	RPM	FRAME	A (max)	B (max)	D	E	F	H	L	CP	
5	1750	184JM	8-5/8	6-1/2	4-1/2	3-3/4	5-1/2	13/32	9-3/4	31-11/32	223
7-1/2	1750	213JM	9-1/2	8	5-1/4	4-1/2	5-1/2	13/32	10-3/4	32-13/16	273
25	3500	284JM	12-3/4	12-3/4	7	5-1/2	9-1/2	17/32	11-1/4	40-5/8	613
30	3500	286JM	12-3/4	12-3/4	7	5-1/2	11	17/32	11-1/4	40-5/8	661
40	3500	324JM	14-1/2	14	8	6-1/4	10-1/2	21/32	11-3/4	42-17/32	790
50	3500	326JM	14-1/2	14	8	6-1/4	12	21/32	11-3/4	42-17/32	794

MATERIAL SPECIFICATIONS

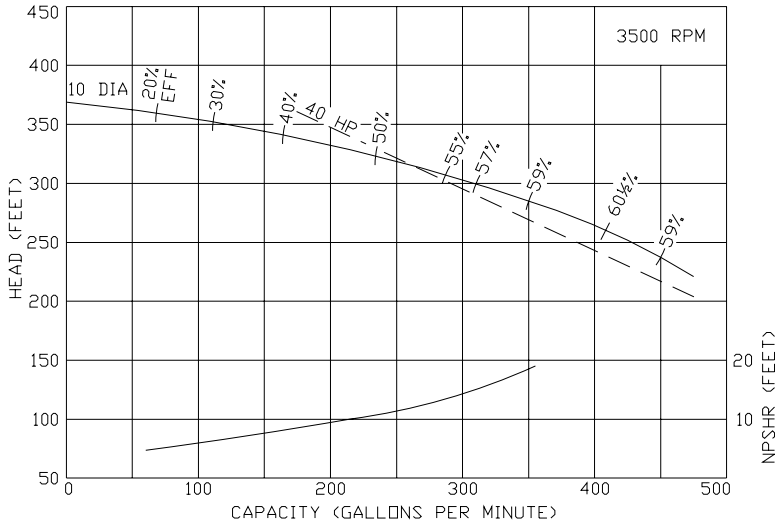
PART NAME	NICKEL ALUMINUM BRONZE	STAINLESS STEEL
Casing, Impeller & Cover	AMPCO® 483	316 Stainless Steel
Shaft Sleeve & Wear Ring	AMPCO® 18	316 Stainless Steel
Impeller Screw	AMPCO® 18	316 Stainless Steel
Motor Shaft	Steel	Steel
Adapter	Cast Iron	Cast Iron

* Also available in Duplex 2205

Ampco Centrifugal Pumps

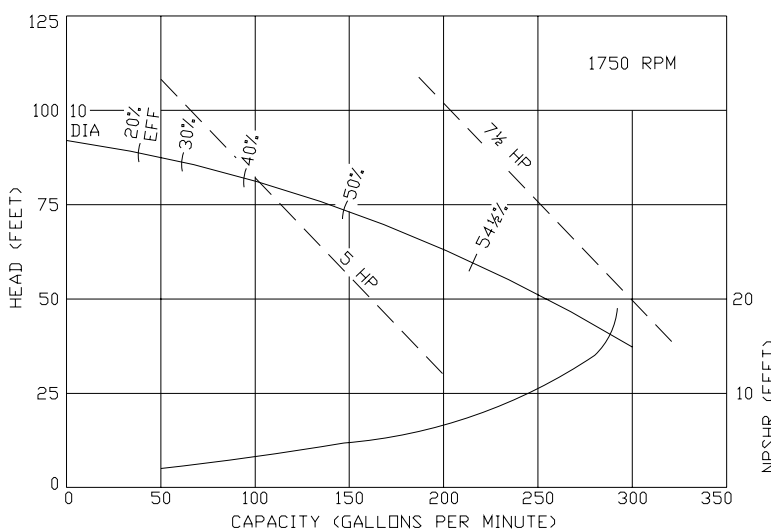
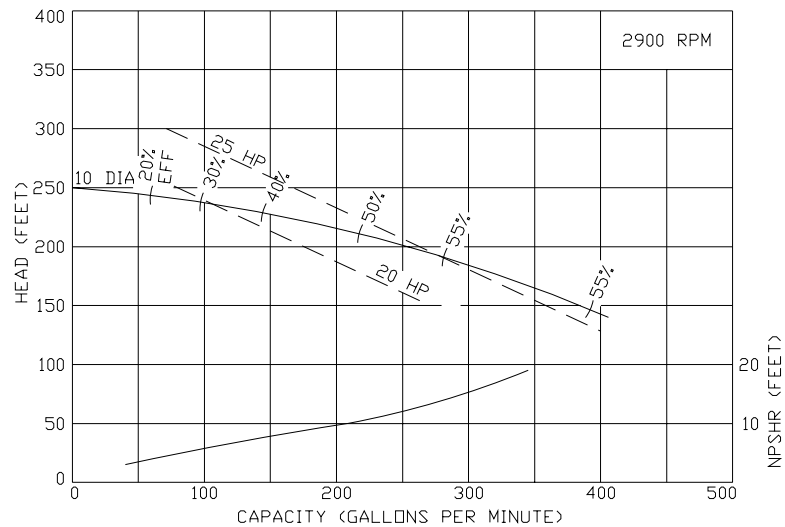
MODEL RC2/RCH2 3X3

Curves show approximate characteristics based on clear 68° water.
Rated point is guaranteed.



RC2/RCH2 self-priming pumps are close coupled to JM frame motors and have NPT threaded connections.

Seal options include Type 21, Type 1 and Type 9 with choice of sealing materials.



Ampco Pumps Company

4424 West Mitchell Street
Milwaukee, Wisconsin 53214
PHONE (414) 643-1852
FAX (414) 643-4452