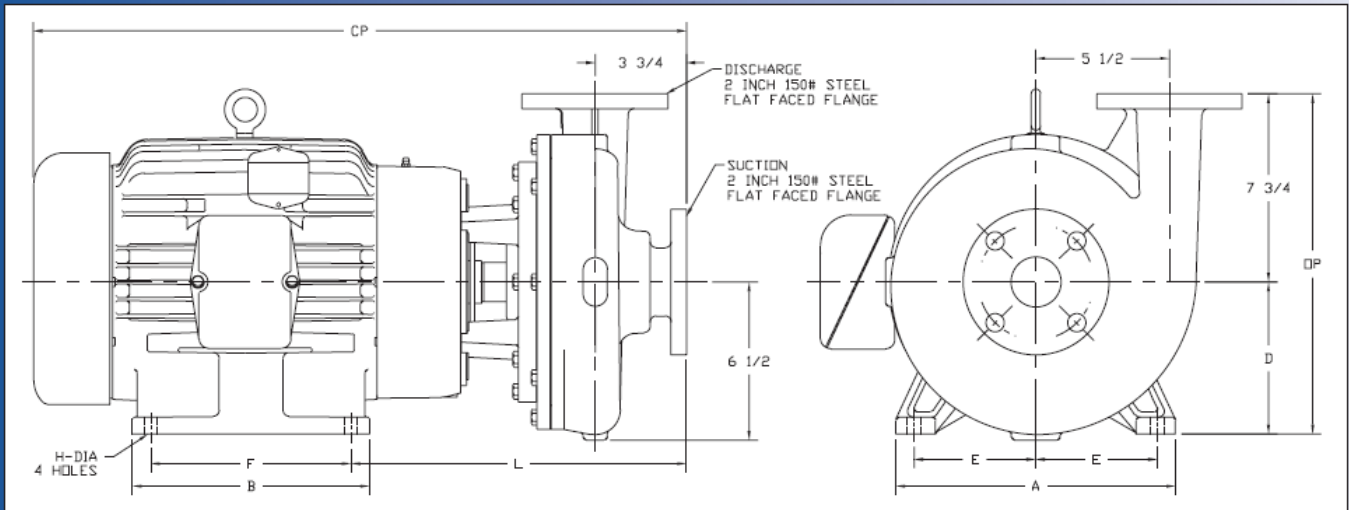
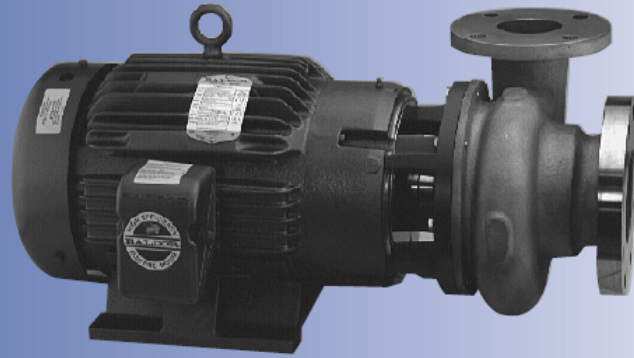


Ampco Centrifugal Pumps

DATA SHEET

MODEL ZC2/ZCH2 2X2



TEFC MOTOR			DIMENSIONS IN INCHES (For Reference Only)									APPROX. WEIGHT (LBS)
HP	RPM	FRAME	A (typ)	B (typ)	D	E	F	H	L	CP	OP	
1-1/2	1750	145JM	6-1/2	6	3-1/2	2-3/4	5	11/32	10-15/16	19-1/4	11-1/4	155
2	1750	145JM	6-1/2	6	3-1/2	2-3/4	5	11/32	10-15/16	19-1/4	11-1/4	162
3	1750	182JM	8-5/8	6-1/2	4-1/2	3-3/4	4-1/2	13/32	11-9/16	20-5/8	12-1/4	171
5	1750	184JM	8-5/8	6-1/2	4-1/2	3-3/4	4-1/2	13/32	11-9/16	22-1/8	12-1/4	195
7-1/2	1750	213JM	9-1/2	8	5-1/4	4-1/4	5-1/2	13/32	12-9/16	23-5/8	13	246
15	3500	254JM	11-1/2	9-3/4	6-1/4	5	8-1/4	17/32	14-1/32	26-7/8	14	405
20	3500	256JM	11-1/2	11-1/2	6-1/4	5	10	17/32	14-1/32	28-5/8	14	443
25	3500	284JM	12-3/4	12-3/4	7	5-1/2	9-1/2	17/32	14-1/32	32-1/4	14-3/4	591
30	3500	286JM	12-3/4	12-3/4	7	5-1/2	11	17/32	14-1/32	32-7/8	14-3/4	652
40	3500	324JM	14-1/2	14	8	6-1/4	10-1/2	21/32	14-17/32	34-1/8	15-3/4	747

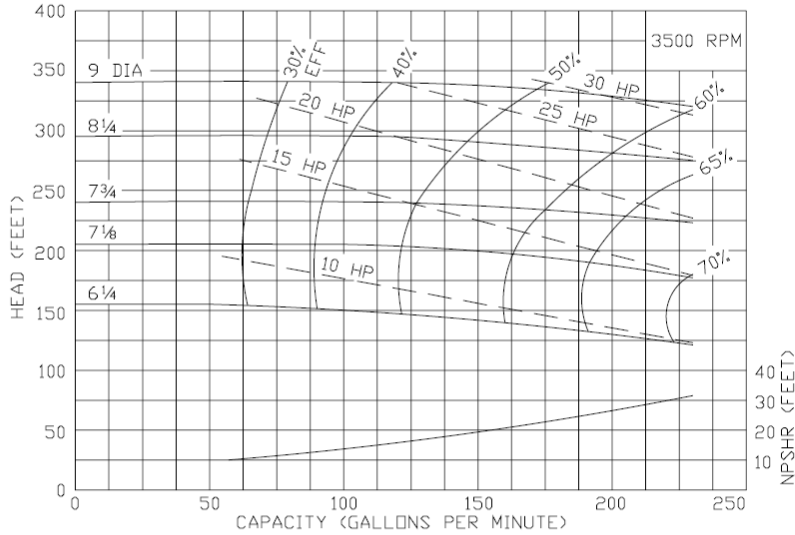
MATERIAL SPECIFICATIONS

PART NAME	NICKEL ALUMINUM BRONZE	STAINLESS STEEL	DUPLEX 2205
Casing, Cover, & Impeller	AMPCO® 483	316 Stainless	Duplex 2205
Wear Rings	AMPCO® 18	316 Stainless	Duplex 2205
Motor Shaft	Steel	Steel	Steel
Shaft Sleeve	AMPCO® 18	316 Stainless	Duplex 2205
Adapter	Cast Iron	Cast Iron	Cast Iron

Ampco Centrifugal Pumps

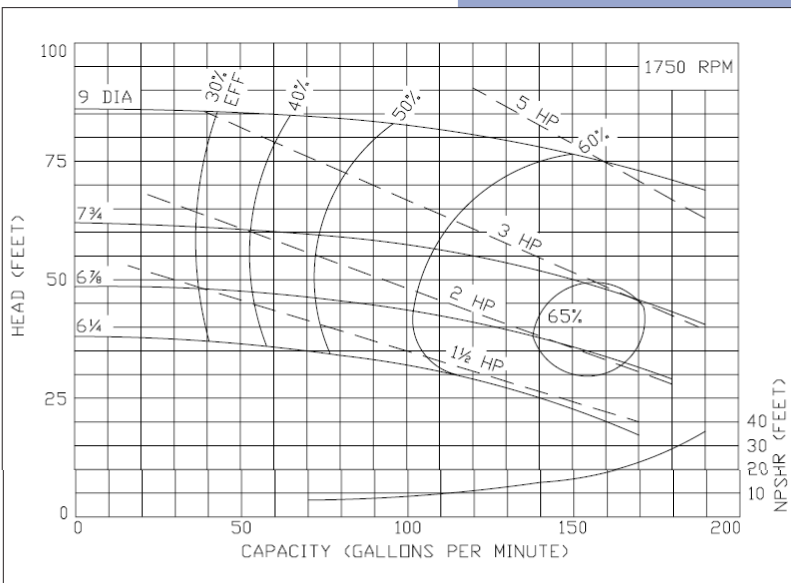
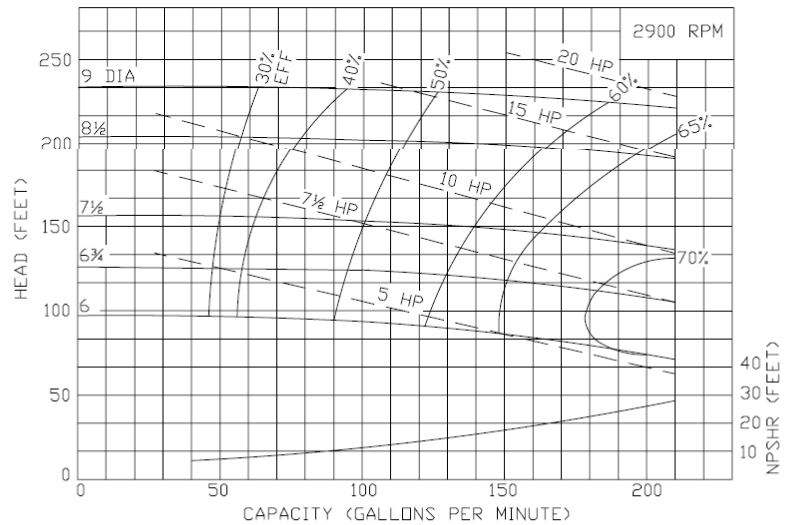
MODEL ZC2/ZCH2 2X2

Curves show approximate characteristics based on clear 68° water. Rated point is guaranteed.



Heavy-duty Z Series pumps have maximum wall thickness and 150 lb. flat faced flanged connections.

Seal options include Type 21, Type 1 and Type 9 with choice of sealing materials.



Ampco Pumps Company

4424 West Mitchell Street
Milwaukee, Wisconsin 53214
PHONE (414) 643-1852
FAX (414) 643-4452