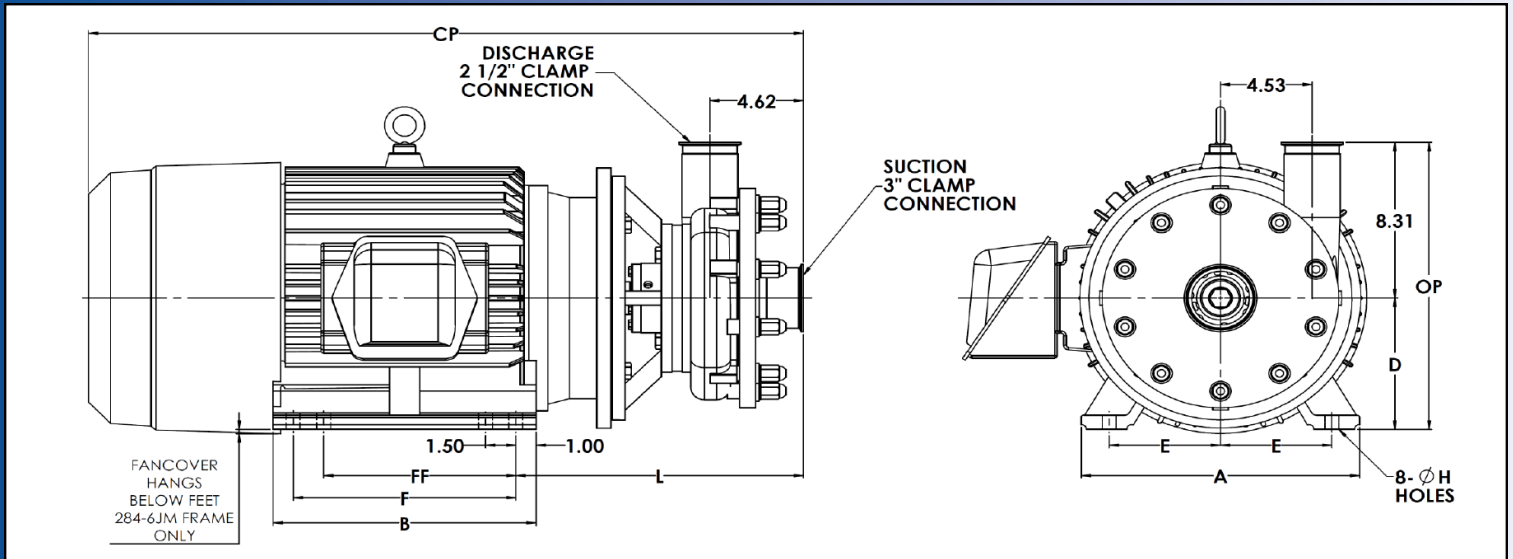
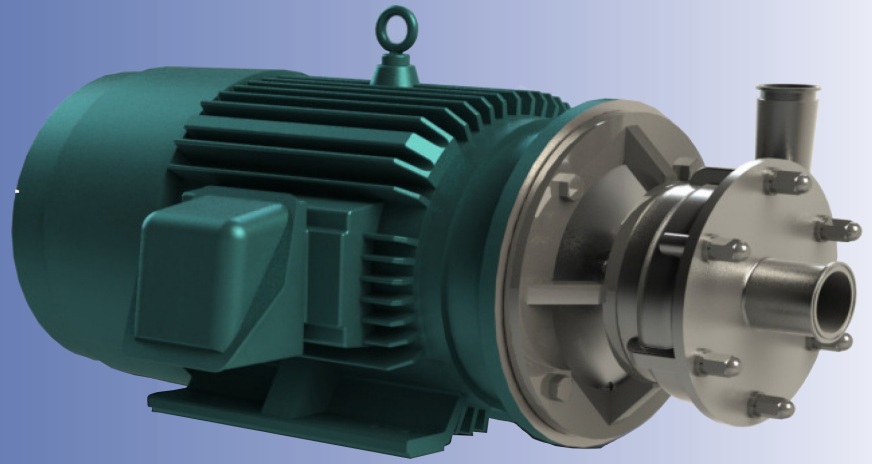


Ampco Centrifugal Pumps

DATA SHEET

MODEL LH-V542 3 x 2½



TEFC MOTOR			DIMENSIONS IN INCHES MILLIMETERS (For Reference Only)										APPROX WEIGHT
HP	RPM	FRAME	A (typ)	B (typ)	D	E	FF	F	ØH	L	CP	OP	LBS Kg
15	3500	284JM	13 3/4	13	7	5 1/2	9 1/2	11	9/16	15.69	36.81	15.30	565
			349	330	178	140	241	279	14	398	935	389	257
20	3500	284JM	13 3/4	13	7	5 1/2	9 1/2	11	9/16	15.69	36.81	15.30	565
			349	330	178	140	241	279	14	398	935	389	257
25	3500	284JM	13 3/4	13	7	5 1/2	9 1/2	11	9/16	15.69	36.81	15.30	565
			349	330	178	140	241	279	14	398	935	389	257
30	3500	286JM	13 3/4	13	7	5 1/2	9 1/2	11	9/16	15.69	36.81	15.30	580
			349	330	178	140	241	279	14	398	935	389	264
40	3500	324JM	15 1/2	14 3/4	8	6 1/4	10 1/2	12	11/16	14.70	34.64	16.31	645
			394	375	203	159	267	305	17	373	880	414	293
50	3500	326JM	15 1/2	14 3/4	8	6 1/4	10 1/2	12	11/16	14.70	34.64	16.31	685
			394	375	203	159	267	305	17	373	880	414	311

MATERIAL SPECIFICATIONS

PART NAME	STAINLESS STEEL
Casing, Cover & Impeller	316L Stainless
Shaft Sleeve	316L Stainless
Adapter	304 Stainless