



CENTRIFUGAL PUMP EC+



EC+ Series for the European Market

Price sensitive, simple, easily maintainable solution for sanitary applications. Thousands of EC+ pumps are in operation all over the world. Wetted parts in 316L (1.4404) stainless steel construction and 304 (1.4301) Stainless Steel adapters are standard. Available in several versions e.g with motor cover, mobile cart, etc.

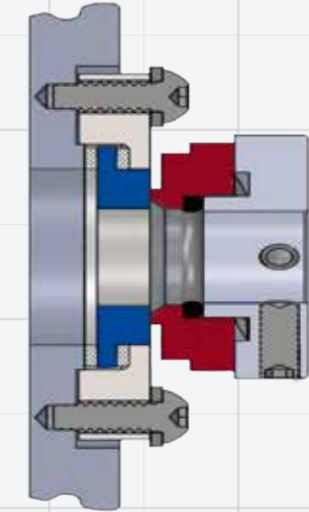
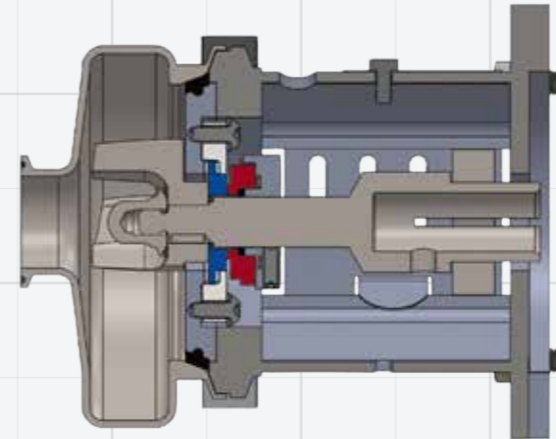
TECHNICAL DATA

MODELS: 10

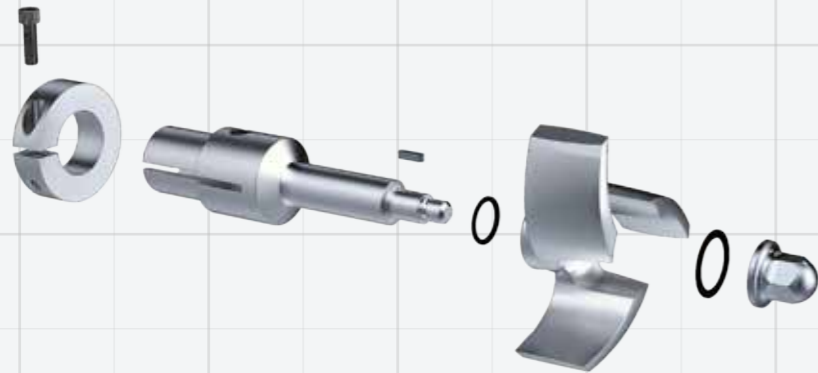
- Max. Discharge Pressure: 60 m
- Max. Flow Rate: up to 270 m³/h
- Max. Viscosity: 1.200 cP
- Seal specifications: 2 seal options



EC+ pumps have a modular seal system with different arrangements and high quality components.



EC+ pumps are in compliance with 3A Standards. All wetted Gaskets and O-rings are in according to (EC) No 1935/2004



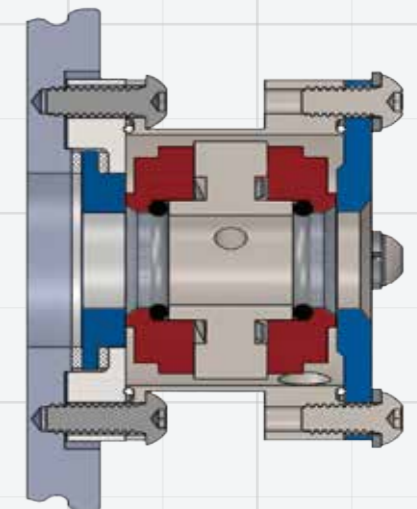
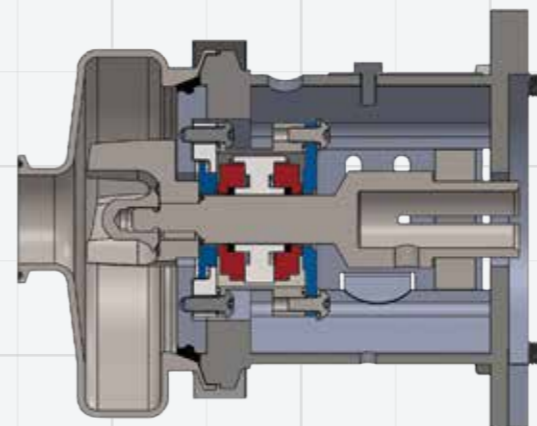
EC+ pumps offer an improved shaft and threaded impeller nut to provide more stable performance. The stub shaft is clamped and prepared for IEC motors.

SM (single mechanical) Seal

Material code in according to EN 12756

Stationary / Rotating

- Q1 / B
- Q1 / Q1
- U1 / B
- U1 / U1



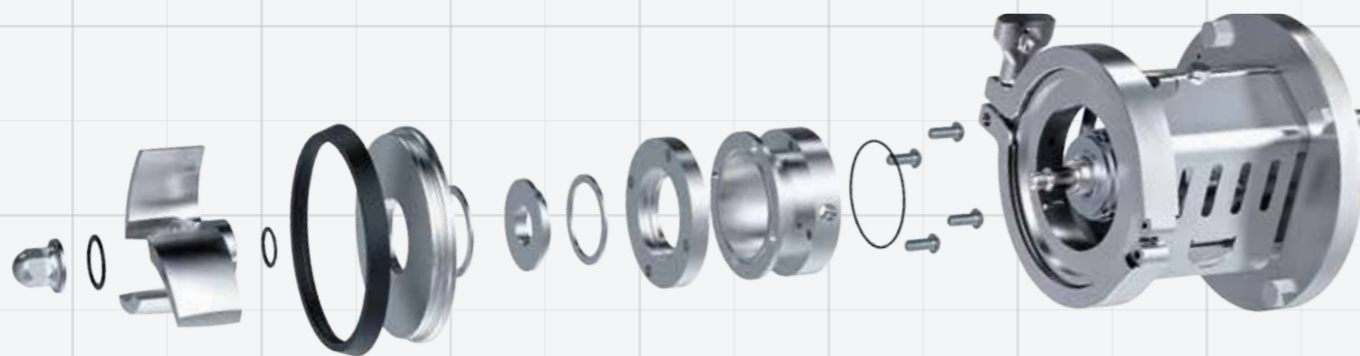
DM (double mechanical) Seal

Material code in according to EN 12756

- Stationary / Rotating – atmospheric Side
- Q1 / B – B / S
- Q1 / Q1 – B / S
- U1 / B – B / S
- U1 / U1 – B / S

Q1 = Silicon carbide
 U1 = Tungsten carbide
 B = Carbon, resin impregnated
 S = Chrome cast

Stainless steel adapters are standard. Easy maintenance





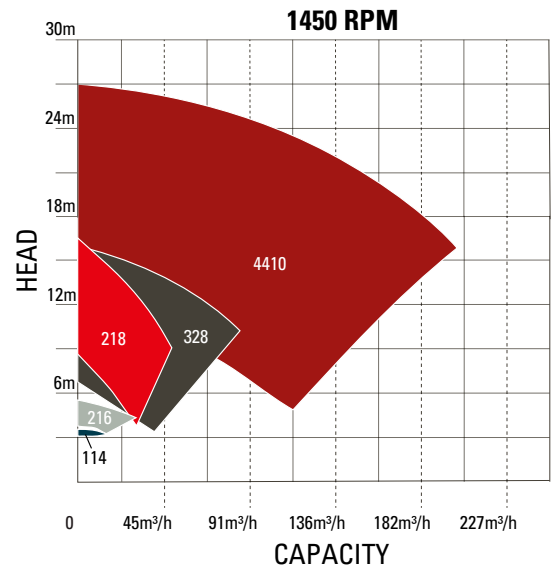
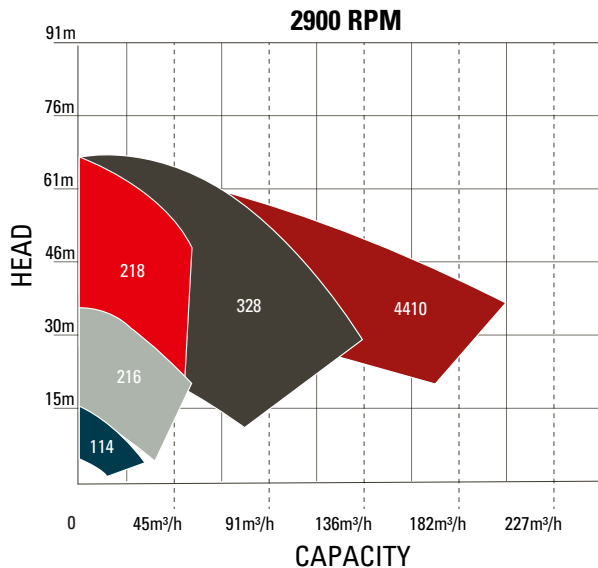
COMMON APPLICATIONS

PROCESSES IN

- Bottled Water
- Brewing
- Poultry Industry
- Marinade Solutions
- Red Water Chillers
- Carbonated Beverages
- Juice
- Dairy
- Pharmaceutical

AMPCO MODELS EC+	INLET	OUTLET	IMPELLER Ø MAX. mm / "
EC+ 114	DN 40 (1,5")	DN 40 (1,5")	100 / 4
EC+ 214	DN 50 (2,0")	DN 40 (1,5")	100 / 4
EC+ 216	DN 50 (2,0")	DN 40 (1,5")	150 / 6
EC+ 218	DN 50 (2,0")	DN 40 (1,5")	200 / 8
EC+ 316	DN 65 (2,5")	DN 40 (1,5")	150 / 6
EC+ 318	DN 80 (3,0")	DN 40 (1,5")	200 / 8
EC+ 328	DN 80 (3,0")	DN 50 (2,0")	200 / 8
EC+ 428	DN 100 (4,0")	DN 50 (2,0")	200 / 8
EC+ 4410	DN 100 (4,0")	DN 100 (4,0")	250 / 10
EC+ 6410	DN 150 (6,0")	DN 100 (4,0")	250 / 10

AMPCO PUMPS EC+ SERIES CURVES



Ampco Pumps GmbH

Gewerbepark West II 7
76863 Herxheim Germany
www.ampcopumps.de
Phone: +49 7276 5058515
info@ampcopumps.de

Ampco Pumps Company

2045 W. Mill Road
Glendale, WI 53209
www.ampcopumps.com