

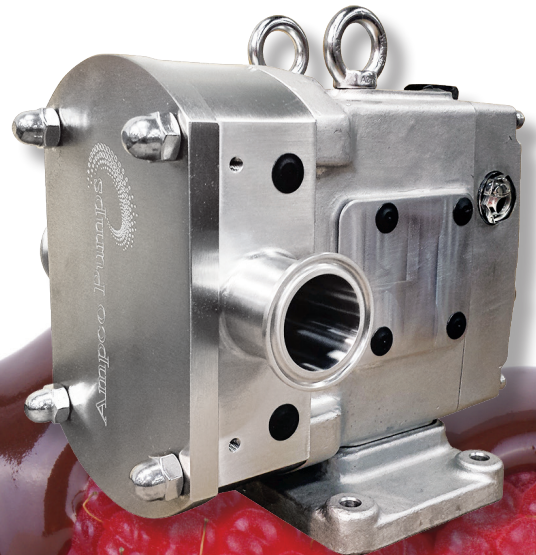
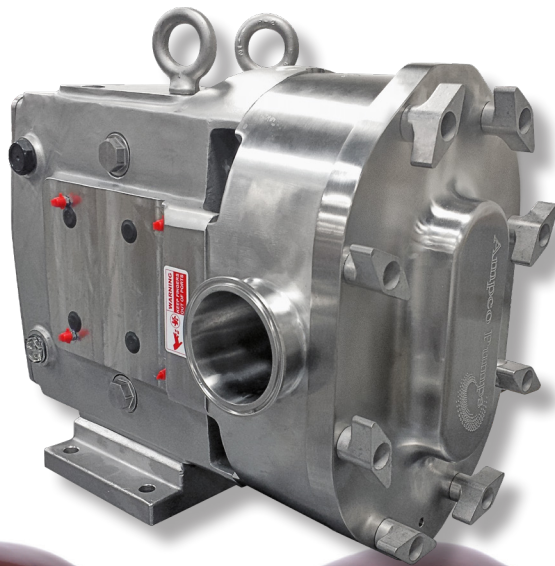
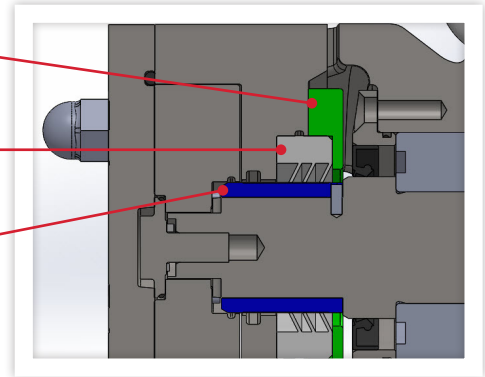
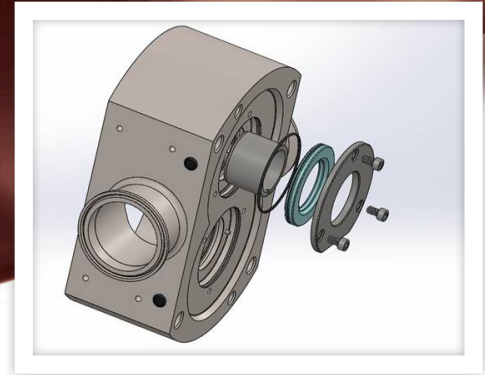
ZP1/AL Series Triple Lip Seal

Teflon Triple Lip Seal Benefits

- Longer seal life compared to o-ring seals
- Reduced maintenance cost
- Made from FDA Approved - PTFE

Applications

- Chocolate
- Ketchup
- Sauces
- Sugar
- Confectionery
- Glue
- Paint
- Chemicals
- Cosmetics



"By changing from a traditional double o-ring seal to the Ampco triple lip option we improved our seal life by over 300%"

– East Coast Chocolate Processor