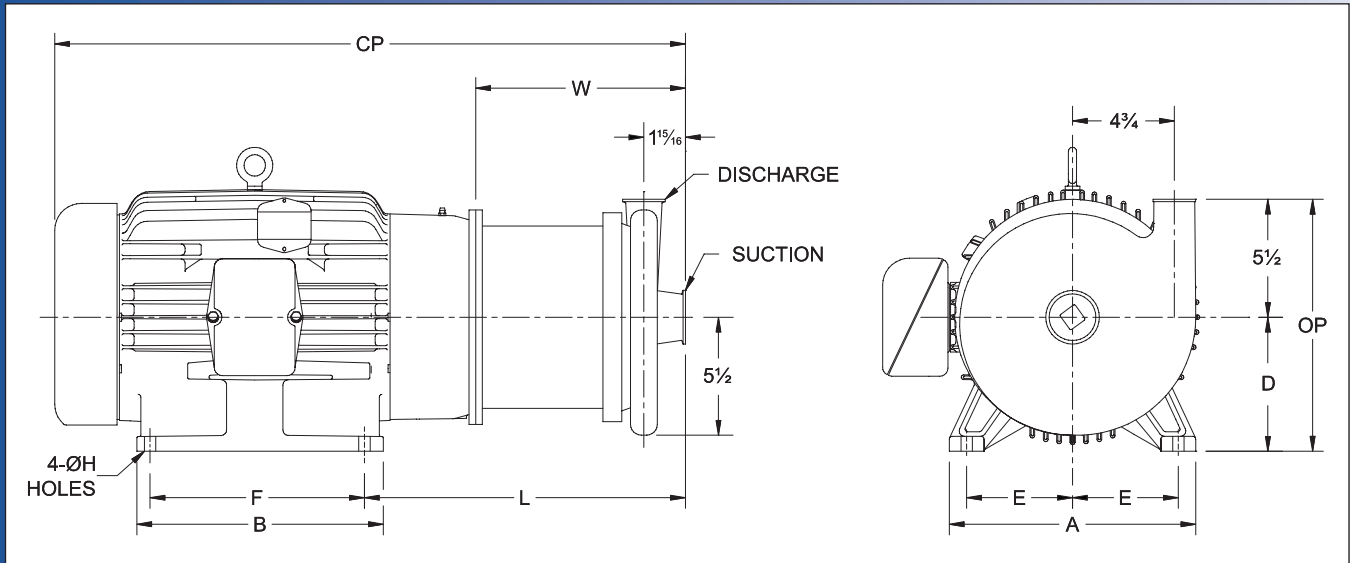
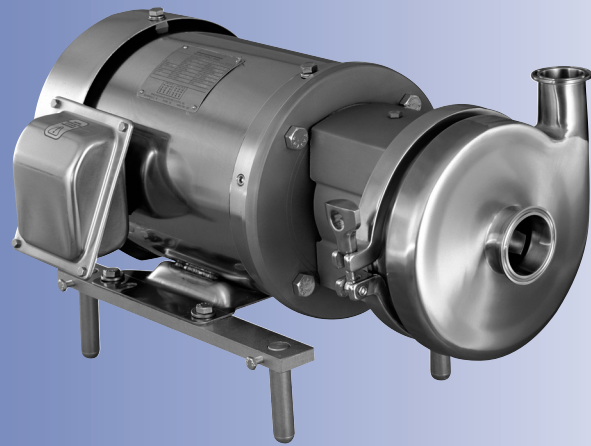


Ampco Centrifugal Pumps

DATA SHEET

Model CB+ 218 2 x 1½



| TEFC MOTOR | | | DIMENSIONS IN INCHES (For Reference Only) | | | | | | | | | | APPROX WEIGHT (LBS) |
|------------|------|--------|---|---------|-------|-------|-------|-------|----------|----------|----------|--------|---------------------|
| HP | RPM | FRAME | A (typ) | B (typ) | D | E | F | ØH | L | W | CP | OP | |
| 1-1/2 | 1750 | 145TC | 6-1/2 | 6 | 3-1/2 | 2-3/4 | 5 | 11/32 | 10-15/16 | 8-3/16 | 19-7/16 | 9 | 88 |
| 2 | 1750 | 145TC | 6-1/2 | 6 | 3-1/2 | 2-3/4 | 5 | 11/32 | 10-15/16 | 8-3/16 | 19-7/16 | 9 | 91 |
| 3 | 1750 | 182TC | 8-5/8 | 6-1/2 | 4-1/2 | 3-3/4 | 4-1/2 | 13/32 | 12-5/16 | 8-13/16 | 22-9/16 | 10 | 121 |
| 5 | 1750 | 184TC | 8-5/8 | 6-1/2 | 4-1/2 | 3-3/4 | 5-1/2 | 13/32 | 12-5/16 | 8-13/16 | 23-15/16 | 10 | 128 |
| 7-1/2 | 1750 | 213TC | 9-1/2 | 8 | 5-1/4 | 4-1/4 | 5-1/2 | 13/32 | 13-7/16 | 9-3/16 | 24-7/16 | 10-3/4 | 182 |
| 5 | 3500 | 184TC | 8-5/8 | 6-1/2 | 4-1/2 | 3-3/4 | 5-1/2 | 13/32 | 12-5/16 | 8-13/16 | 23-15/16 | 10 | 123 |
| 7-1/2 | 3500 | 184TC | 8-5/8 | 6-1/2 | 4-1/2 | 3-3/4 | 5-1/2 | 13/32 | 12-5/16 | 8-13/16 | 23-15/16 | 10 | 141 |
| 7-1/2 | 3500 | 213TC | 9-1/2 | 8 | 5-1/4 | 4-1/4 | 5-1/2 | 13/32 | 13-7/16 | 9-3/16 | 24-7/16 | 10-3/4 | 145 |
| 10 | 3500 | 215TC | 9-1/2 | 8 | 5-1/4 | 4-1/4 | 7 | 13/32 | 13-7/16 | 9-3/16 | 26-3/16 | 10-3/4 | 178 |
| 15 | 3500 | 215TC | 9-1/2 | 8 | 5-1/4 | 4-1/4 | 7 | 13/32 | 13-7/16 | 9-3/16 | 26-3/16 | 10-3/4 | 218 |
| 20 | 3500 | 256TC | 11-1/2 | 11-1/2 | 6-1/4 | 5 | 10 | 17/32 | 14-13/16 | 10-1/16 | 30-7/16 | 11-3/4 | 326 |
| 25 | 3500 | 284TSC | 12-3/4 | 12-3/4 | 7 | 5-1/2 | 9-1/2 | 17/32 | 15-7/16 | 10-11/16 | 34-3/8 | 12-1/2 | 418 |
| 30 | 3500 | 286TSC | 12-3/4 | 12-3/4 | 7 | 5-1/2 | 11 | 17/32 | 15-7/16 | 10-11/16 | 34-3/8 | 12-1/2 | 440 |

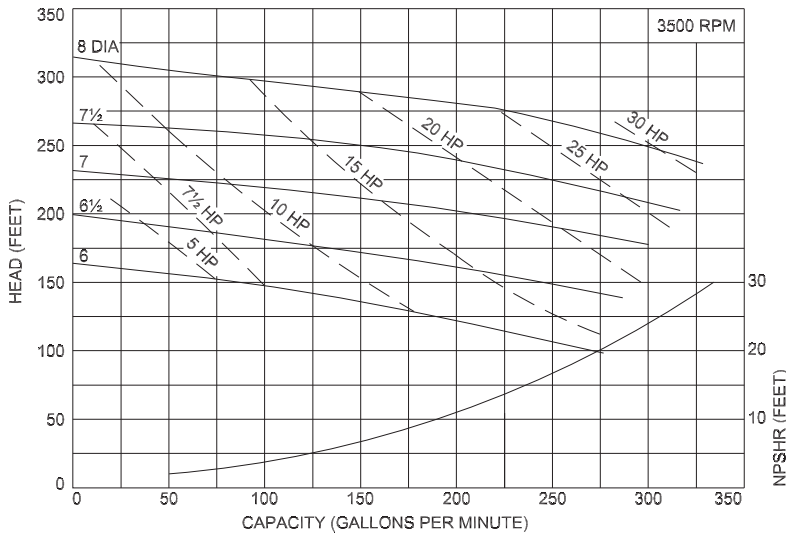
MATERIAL SPECIFICATIONS

| PART NAME | STAINLESS STEEL |
|---------------------------------|-----------------|
| Casing | 316L Stainless |
| Backplate, Impeller, Stub Shaft | 316L Stainless |
| Adapter | 304 Stainless |

Ampco Centrifugal Pumps

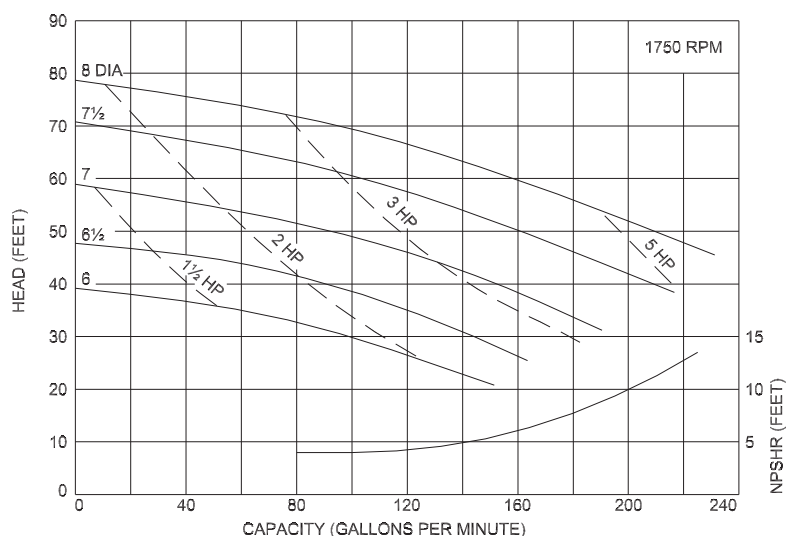
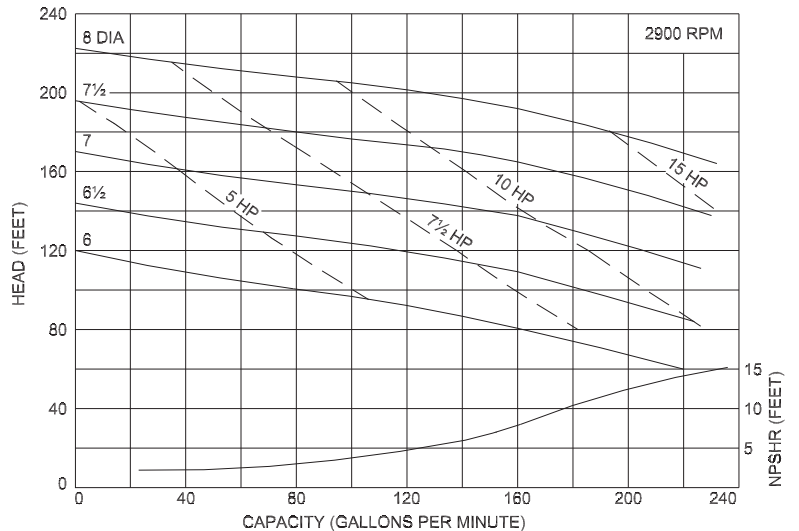
Model CB+ 218 2 x1½

Curves show approximate characteristics
based on clear 68° water.
Rated point is guaranteed.



CB+ Series pumps have standard stainless steel adapters and utilize an internal seal.

CB+ Series pumps have a standard 32RA (150 grit) finish, on all product contact surfaces.



Ampco Pumps Company

2045 West Mill Road
Glendale, Wisconsin 53209
PHONE (414) 643-1852
FAX (414) 643-4452