

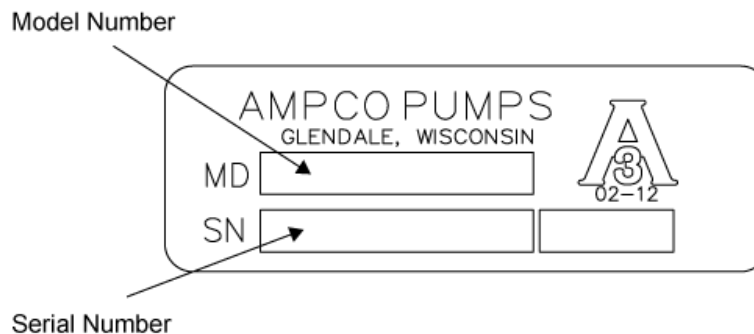
ELECTRONIC CATALOG NAVIGATION INSTRUCTIONS

Select by Pump Model:

If you know what pump you are looking for, you can use the 'Bookmarks' tab on the left and select the pump model which you are trying to access. Clicking in the Bookmark will take you to the page you are looking for.

If there are no tabs on the left (bookmarks, signatures, layers, pages), you can use the top menu to make them appear. Goto VIEW > SHOW/HIDE > NAVIGATION PANES > BOOKMARKS and they will appear.

Sample Pump ID Tag: See the illustration below for help identifying the location of the Model number and Serial number on the pump ID tag.



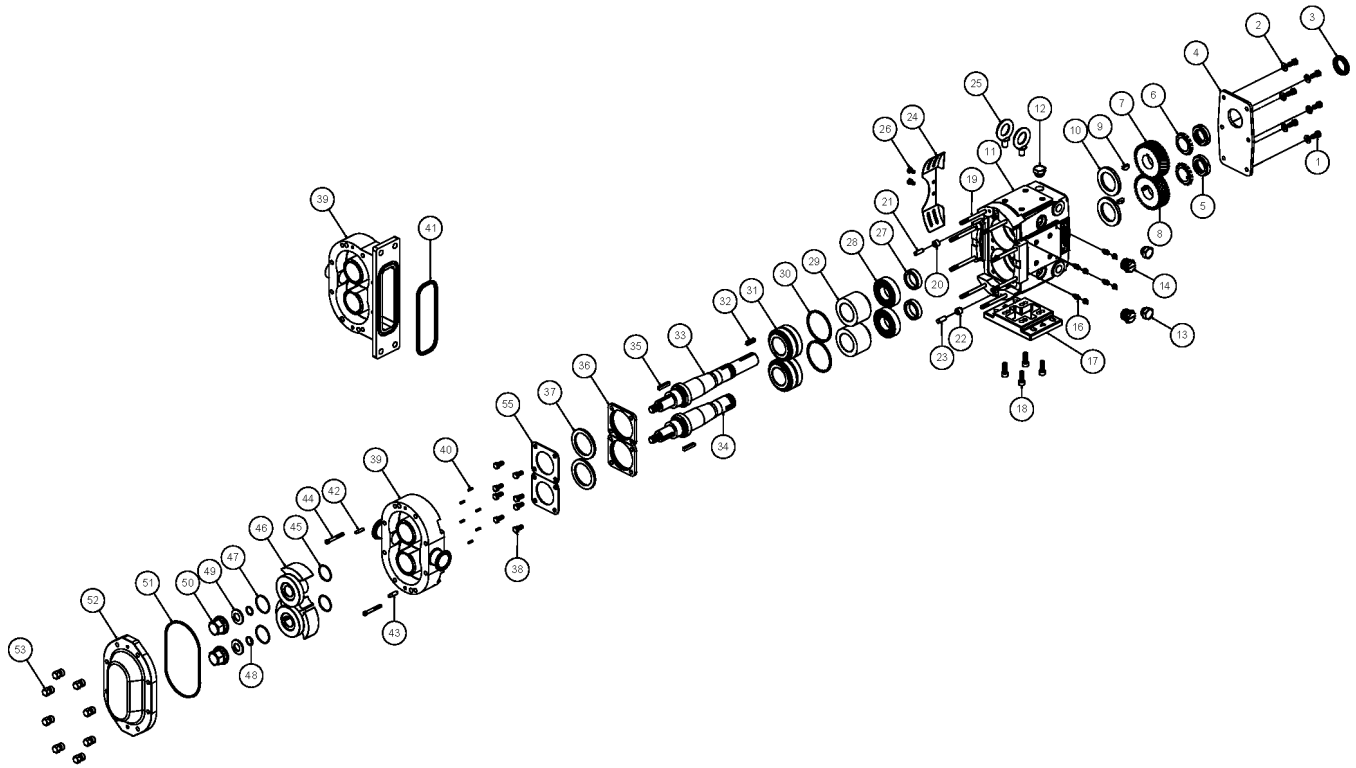
Please reference your serial number when ordering replacement parts.

Select by Part Number:

If you know an exact part number you are looking for, simply hit CONTROL+F and that will bring up the find feature. You may also use the menu, goto EDIT > FIND to bring up the same feature.

Type in your part number and it will show you all instances of that item in the catalog. If you only know some of the part number (i.e. SP328), that will also help and show all occurrences of those numbers together.

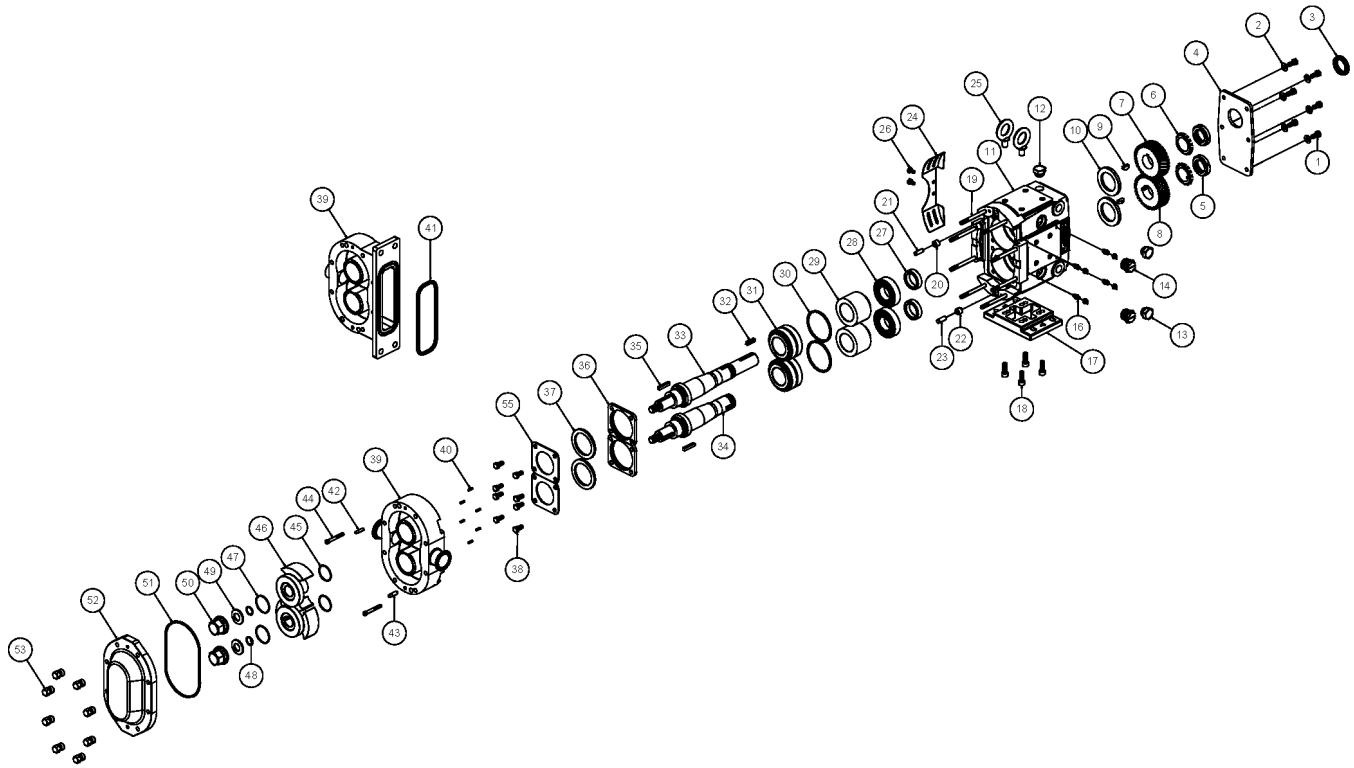
Be advised that partials of part number can return a large amount of results.



Exploded View

Optional Items Shown in ITALICS

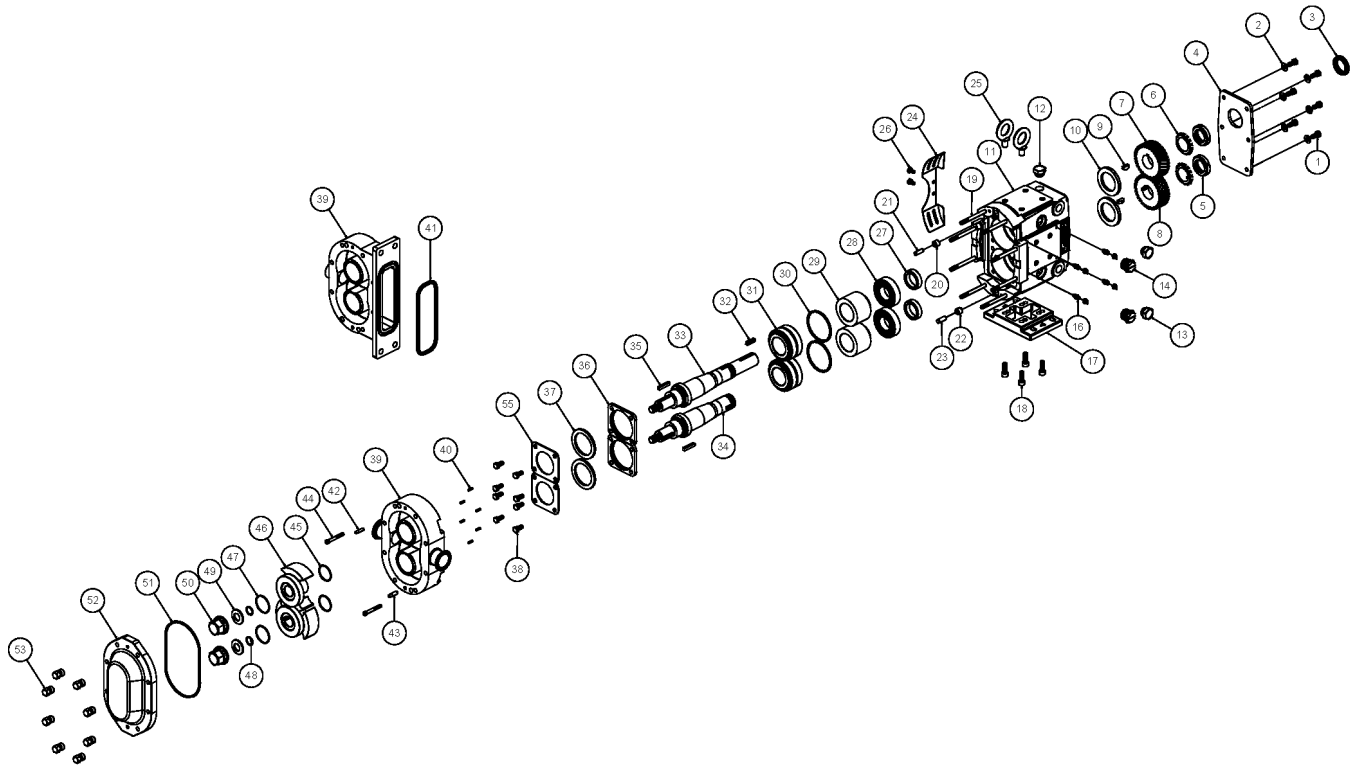
Ref #	Component Item No.	Description	Qty Per
1	P1GX30-58	1/4-20 X 3/4" HHCS, G.CASE COVER, SS - ZP1 & ZP2 6/15/18/30/	6
2	P1GX43-108	FLAT WASHER, G CASE COVER, 1/4 X 5/8 OD, SS - ZP1 & ZP2 6/15	6
3	P1GX000030016-ND	OIL SEAL, PTFE, GEAR CASE COVER - ZP1 & ZP2 6/15/18	1
	<i>P1GX000030016</i>	<i>OIL SEAL, GEAR CASE COVER - ZP1 & ZP2 6/15/18</i>	1
4	P1SX020106000	GEAR CASE COVER, SS - ZP1 & ZP2 6/15/18/24	1
5	P1GXSTD236005	GEAR LOCK NUT - ZP1 & ZP2 6/15/18	2
6	P1GXSTD136005	GEAR LOCKWASHER ZP1 & ZP2 6/15/18	2
7	P1GX015007001	GEAR DRIVE SHAFT ZP1 & ZP2 6/15/18	1
8	P1GX015007002	GEAR SHORT SHAFT ZP1 & ZP2 6/15/18	1
9	P1GX015037000	GEAR KEY - ZP1 & ZP2 6/15/18/24	2
10	P1GX000030017	OIL SEAL, REAR - ZP1 & ZP2 6/15/18	2
11	P1SX020005000	GEAR CASE, SS - ZP1 & ZP2 6/15/18/24	1
12	P1GX115798	PLUG,HEX,20M X1.5,W/NBR SEAL	5
13	P1GX115799	GAUGE,OIL,LVL,INDIC,M-20X1.5	1
14	P1GX20PLUG-SS	CLEANOUT PLUG, SS - ZP1 6/15/18	4
	<i>P1GX20PLUG</i>	<i>CLEANOUT PLUG, YELLOW - ZP1 6/15/18</i>	4
16	P1GXB0092001	GREASE FITTING, THREADED 1/4"-28 TAPER, SS	8
17	P1SX020110000	GEAR CASE BASE, SS - ZP1 & ZP2 6/15/18/24	1
18	P1GX15SHCSGCB	SHCS, G. CASE BASE, (18-8 SS) 5/16-18 X 3/4 - ZP1 & ZP2 6/15	4
19	P1GXAD0011000	STUD, ZP2 6/15	8
	<i>P1GXAD0011J00</i>	<i>STUD, JACKETED COVER, ZP2 6/15</i>	8
20	P1GXAD0116000	UPPER DOWEL BUSHING - ZP1 & ZP2 6/15/18	1
21	P1GX124581	DOWEL PIN - ZP1 & ZP2 6/15/18/24	1
22	P1GXAD0116100	LOWER DOWEL BUSHING - ZP1 & ZP2 6/15/18	1
23	P1GX124582	DOWEL PIN - ZP1 & ZP2 45/60/64/130/134	1
24	P1SX020CEGUARD	GUARD,6-24,(CE),GC,SS	2
26	P1GX000CENAIL	DRIVENAIL,ZP,GEAR CASE GUARDS	4



Exploded View

Optional Items Shown in ITALICS

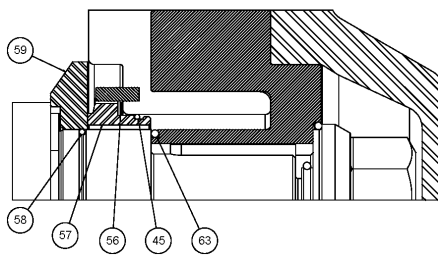
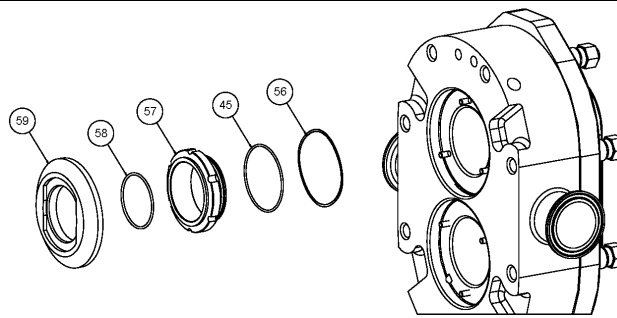
Ref #	Component Item No.	Description	Qty Per
27	P1GX015055000	GEAR TO REAR BEARING SPACER - ZP1 & ZP2 6/15/18/24	2
28	P1GX015035000	REAR BEARING - ZP1 & ZP2 6/14/15/18/24	2
29	P1GX101814	BEARING SPACER - ZP1 & ZP2 6/15/18/24	2
30	P1GX117889	SHIM KIT - ZP1 & ZP2 6/15/18/24	2
31	P1GX101714	FRONT BEARING - ZP1 & ZP2 6/14/15/18/24	2
32	P1GX000037001	DRIVE KEY, 3/16 SQ. X 1-1/8" - ZP1 & ZP2 6/15/18	1
33	P2SX108405	DRIVE SHAFT (17-4PH) - ZP2 6/15	1
34	P2SX108406	SHORT SHAFT (17-4PH) - ZP2 6/15	1
35	P2SX101817	ROTOR KEY - ZP2 6/15	2
36	P1SX120332	BEARING RETAINER, NEW STYLE 3A - ZP1 & ZP2 6/15/18/24	2
37	P1GX121679-ND	GREASE SEAL, PTFE, FRONT BEARING RET. 3A - ZP1 & ZP2 6/15/18	2
	<i>P1GX121679</i>	<i>GREASE SEAL FRONT BEARING RET. 3A - ZP1 & ZP2 6/15/18</i>	2
38	P1GX30-58BHCS	1/4-20 x 3/8" BUTTON HEAD CAP SCREW, SS	8
39	P2BDY006001000	BODY - ZP2 6	1
	<i>P2BDY006001F00</i>	<i>BODY - ZP2 6 - FLUSHED</i>	1
40	P2GX101718	STOP PIN,SEAL - ZP2 6/15/18/24	6
42	P1GX124581	DOWEL PIN - ZP1 & ZP2 6/15/18/24	1
43	P1GX124582	DOWEL PIN - ZP1 & ZP2 45/60/64/130/134	1
44	P1GX30-523	CAPSCRW,SH,1/4-20X1-1/4,18-8SS SCKT HD	2
45	N70028	O-RING, INNER SEAL (BUNA) - ZP2 6/15/18	2
	<i>E70028</i>	<i>O-RING, INNER SEAL (EPDM) - ZP2 6/15/18</i>	2
	<i>V70028</i>	<i>O-RING, INNER SEAL (VITON) - ZP2 6/15/18</i>	2
46	P2RTB006010000	ROTOR TWIN BLADE - ZP2 6 (STD) - ALLOY 88	2
	<i>P2RTB006010200</i>	<i>ROTOR TWIN BLADE - ZP2 6 (STD) - 316L</i>	2
47	N70126	O-RING, ROTOR NUT (BUNA) - ZP2 6/15/18	2
	<i>E70126</i>	<i>O-RING, ROTOR NUT (EPDM) - ZP2 6/15/18</i>	2
	<i>V70126</i>	<i>O-RING, ROTOR NUT (VITON) - ZP2 6/15/18</i>	2



Exploded View

Optional Items Shown in ITALICS

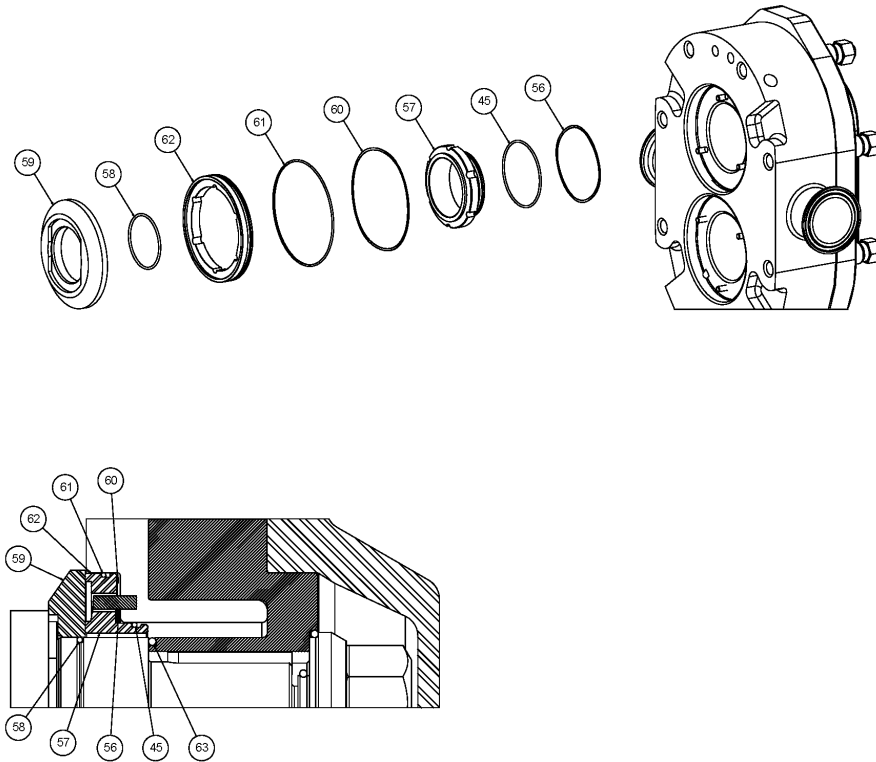
Ref #	Component Item No.	Description	Qty Per
48	N70112	O-RING, RETAINER (BUNA) - ZP2 6/15/18	2
	<i>E70112</i>	<i>O-RING, RETAINER (EPDM) - ZP2 6/15/18</i>	<i>2</i>
	<i>V70112</i>	<i>O-RING, RETAINER (VITON) - ZP2 6/15/18</i>	<i>2</i>
49	P2GX101691	BELLEVILLE WASHER, SS - ZP2 6/15/18/24	2
50	P2SX101804	ROTOR NUT - ZP2 6/15/18/24	2
51	N70249	O-RING, COVER (BUNA) - ZP2 6/15/18	1
	<i>E70249</i>	<i>O-RING, COVER (EPDM) - ZP2 6/15/18</i>	<i>1</i>
	<i>V70249</i>	<i>O-RING, COVER (VITON) - ZP2 6/15/18</i>	<i>1</i>
52	P2CVR101842	COVER - ZP2 6/15/18/24	1
	<i>P2CVR107664</i>	<i>COVER, JACKETED - ZP2 6/15/18/24</i>	<i>1</i>
53	P1SX108369	COVER HEX NUT - ZP1 & ZP2 6/15/18/24	8
	<i>P1GX105850</i>	<i>WING NUT - ZP1 & ZP2 6/15/18</i>	<i>8</i>
55	P1SX020SPATE	BEARING RETAINER SPLASH PLATE - ZP1 & ZP2 6/15/18	2
900	P1GXAD0096001	PICK,COMBO,O-RING ZP1 ZP2	1
901	P1GX000140003	OIL,460FG,MAGNAPLT,1GAL ZP	1
902	P1GX000140002	GREASE,HALO GUARD,14OZ TUBE ZP	1
903	P1GXRTVSEAL	SILICONE,DOW,732,30Z ZP1 ZP2	1



Single Mechanical Seal

Optional Items Shown in ITALICS

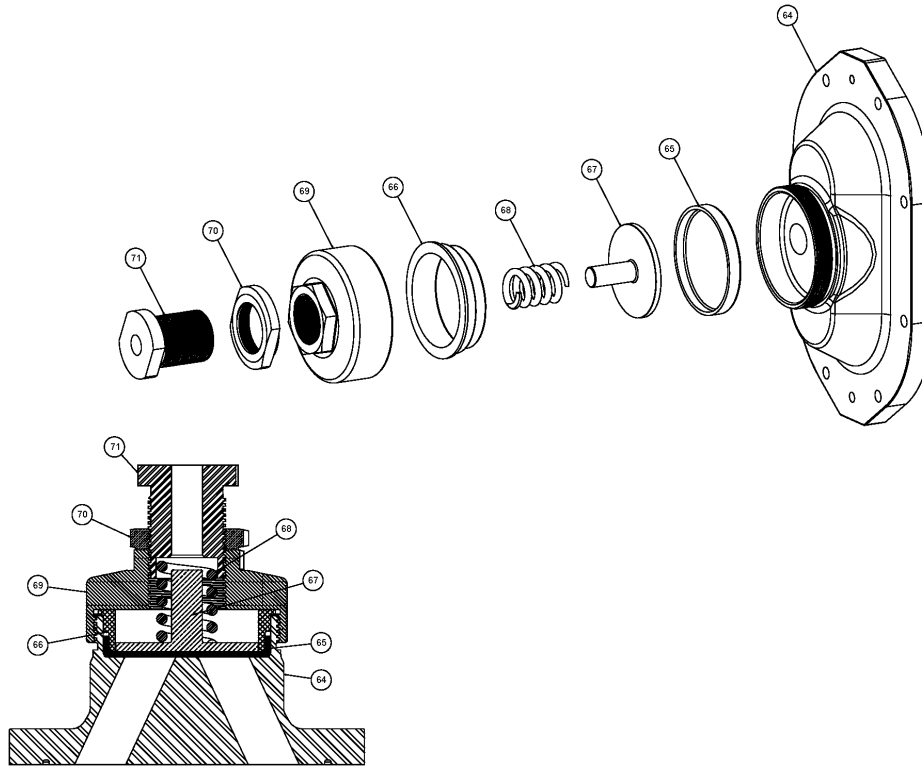
Ref #	Component Item No.	Description	Qty Per
45	N70028	O-RING, INNER SEAL (BUNA) - ZP2 6/15/18	2
	<i>E70028</i>	<i>O-RING, INNER SEAL (EPDM) - ZP2 6/15/18</i>	2
	<i>V70028</i>	<i>O-RING, INNER SEAL (VITON) - ZP2 6/15/18</i>	2
56	P2GS101683	INNER SEAL WAVE SPRING - ZP2 6/15/18	2
57	P2GS101652	INNER SEAL (K) - ZP2 6/15/18/24	2
	<i>P2GS101653</i>	<i>INNER SEAL (C) - ZP2 6/15/18/24</i>	2
	<i>P2GS101651</i>	<i>INNER SEAL (N) - ZP2 6/15/18/24</i>	2
58	N70024	O-RING, SHAFT (BUNA) - ZP2 6/15/18	2
	<i>E70024</i>	<i>O-RING, SHAFT (EPDM) - ZP2 6/15/18</i>	2
	<i>V70024</i>	<i>O-RING, SHAFT (VITON) - ZP2 6/15/18</i>	2
59	P2GS101668	SEAL SEAT (C) ZP2 6/15/18/24	2
	<i>P2GS101667</i>	<i>SEAL SEAT (K) ZP2 6/15/18/24</i>	2
63	N70121	O-RING, ROTOR HUB (BUNA) - ZP2 6/15/18	2
	<i>E70121</i>	<i>O-RING, ROTOR HUB (EPDM) - ZP2 6/15/18</i>	2
	<i>V70121</i>	<i>O-RING, ROTOR HUB (VITON) - ZP2 6/15/18</i>	2



Double Mechanical Seal

Optional Items Shown in ITALICS

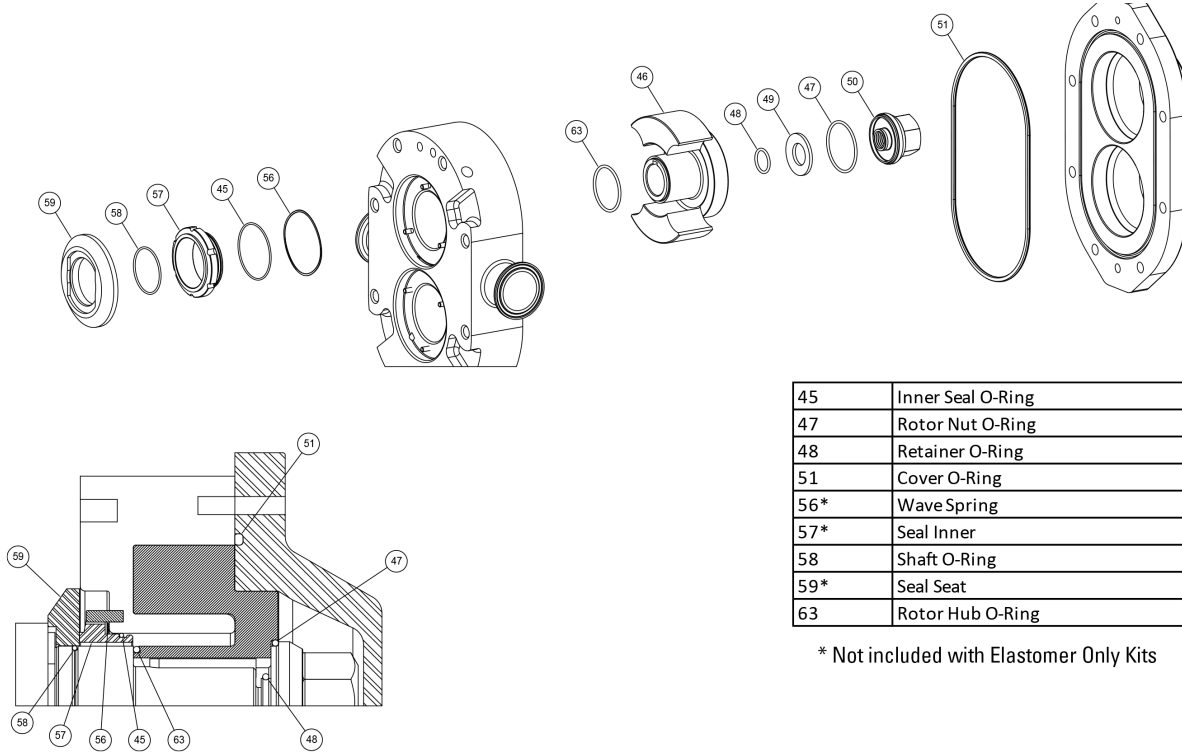
Ref #	Component Item No.	Description	Qty Per
45	N70028	O-RING, INNER SEAL (BUNA) - ZP2 6/15/18	2
	<i>E70028</i>	<i>O-RING, INNER SEAL (EPDM) - ZP2 6/15/18</i>	2
	<i>V70028</i>	<i>O-RING, INNER SEAL (VITON) - ZP2 6/15/18</i>	2
56	P2GS101683	INNER SEAL WAVE SPRING - ZP2 6/15/18	2
57	P2GS101652	INNER SEAL (K) - ZP2 6/15/18/24	2
	<i>P2GS101653</i>	<i>INNER SEAL (C) - ZP2 6/15/18/24</i>	2
	<i>P2GS101651</i>	<i>INNER SEAL (N) - ZP2 6/15/18/24</i>	2
58	N70024	O-RING, SHAFT (BUNA) - ZP2 6/15/18	2
	<i>E70024</i>	<i>O-RING, SHAFT (EPDM) - ZP2 6/15/18</i>	2
	<i>V70024</i>	<i>O-RING, SHAFT (VITON) - ZP2 6/15/18</i>	2
59	P2GS101668	SEAL SEAT (C) ZP2 6/15/18/24	2
	<i>P2GS101667</i>	<i>SEAL SEAT (K) ZP2 6/15/18/24</i>	2
60	P2GS101684	OUTER SEAL WAVE SPRING - ZP2 6/15/18	2
61	N70035	O-RING, OUTER SEAL (BUNA) - ZP2 6/15/18	2
	<i>E70035</i>	<i>O-RING, OUTER SEAL (EPDM) - ZP2 6/15/18</i>	2
	<i>V70035</i>	<i>O-RING, OUTER SEAL (VITON) - ZP2 6/15/18</i>	2
62	P2GS101679	OUTER SEAL (N) - ZP2 6/15/18	2
63	N70121	O-RING, ROTOR HUB (BUNA) - ZP2 6/15/18	2
	<i>E70121</i>	<i>O-RING, ROTOR HUB (EPDM) - ZP2 6/15/18</i>	2
	<i>V70121</i>	<i>O-RING, ROTOR HUB (VITON) - ZP2 6/15/18</i>	2



Pressure Relief Cover

Optional Items Shown in ITALICS

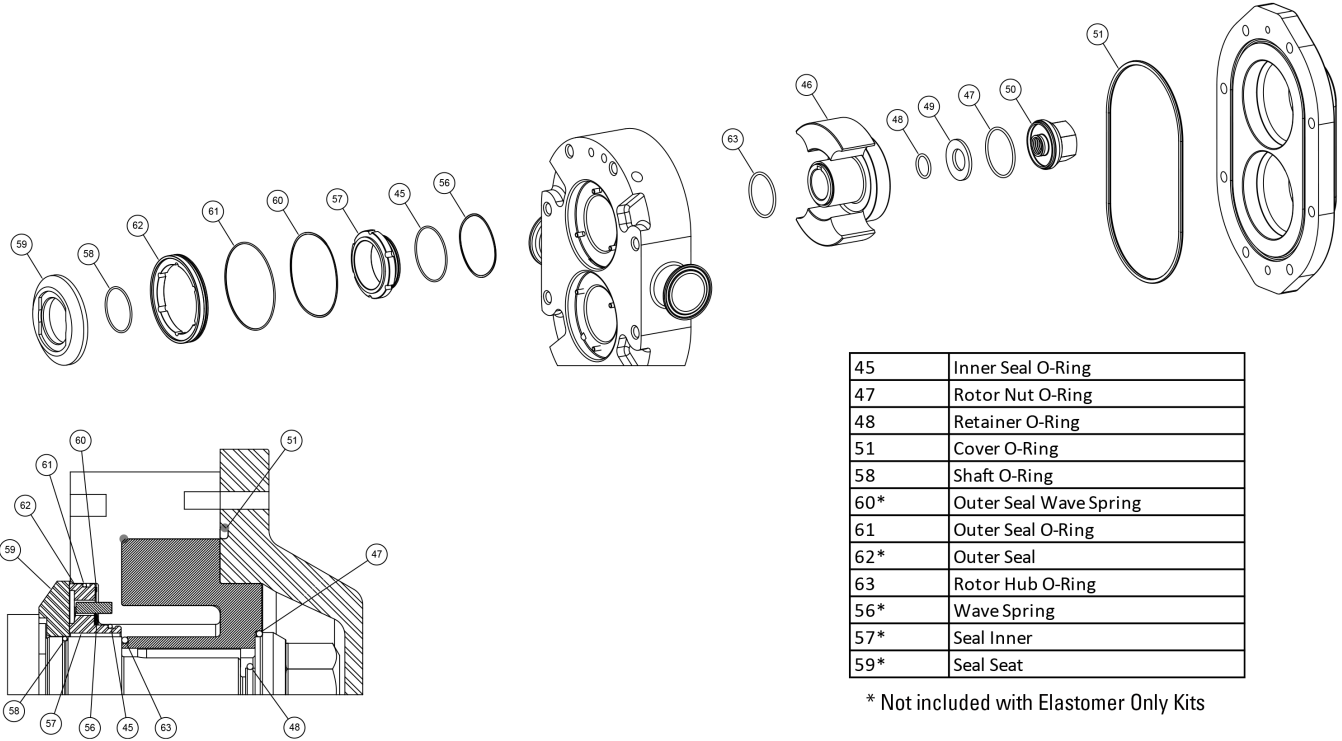
Ref #	Component Item No.	Description	Qty Per
64	P2CVR103669	VENTED FRONT COVER, ZP2 - 6/15/18	1
65	P1GXAD0078000	RUBBER DIAPHRAGM, BUNA, ZP1 & ZP2 & ZP3 - 6/15/18/30/34/40	1
	<i>P1GXAD0078EP0</i>	<i>RUBBER DIAPHRAGM, EPDM, ZP1 & ZP2 & ZP3 - 6/15/18/30/34/40</i>	1
	<i>P1GXAD0078V00</i>	<i>RUBBER DIAPHRAGM, VITON, ZP1 & ZP2 & ZP3 - 6/15/18/30/34/40</i>	1
66	P1SXAD0077000	DIAPHRAGM BUSHING, ZP1 & ZP2 & ZP3 - 6/15/18/30/34/40	1
67	P1SXAD0073000	SPRING PLUNGER, ZP1 & ZP2 & ZP3 - 6/15/18/30/34/40	1
68	P1SXAD0076000	SPRING, MEDIUM, (LESS THAN 150 PSI), ZP1 & ZP2 & ZP3 - 6/15/18/30/34/40	1
	<i>P1SXABB076100</i>	<i>SPRING, HIGH, (MORE THAN 150 PSI), ZP1 & ZP2 & ZP3 - 6/15/18/30/34/40</i>	1
69	P1SXAD0075000	COVER NUT, ZP1 & ZP2 & ZP3 - 6/15/18/30/34/40	1
70	P1SXAD0074000	LOCKNUT, ZP1 & ZP2 & ZP3 - 6/15/18/30/34/40	1
71	P1SXAD0072000	ADJUSTING SCREW, ZP1 & ZP2 & ZP3 - 6/15/18/30/34/40	1



Single Mechanical Seal Kit

Optional Items Shown in ITALICS

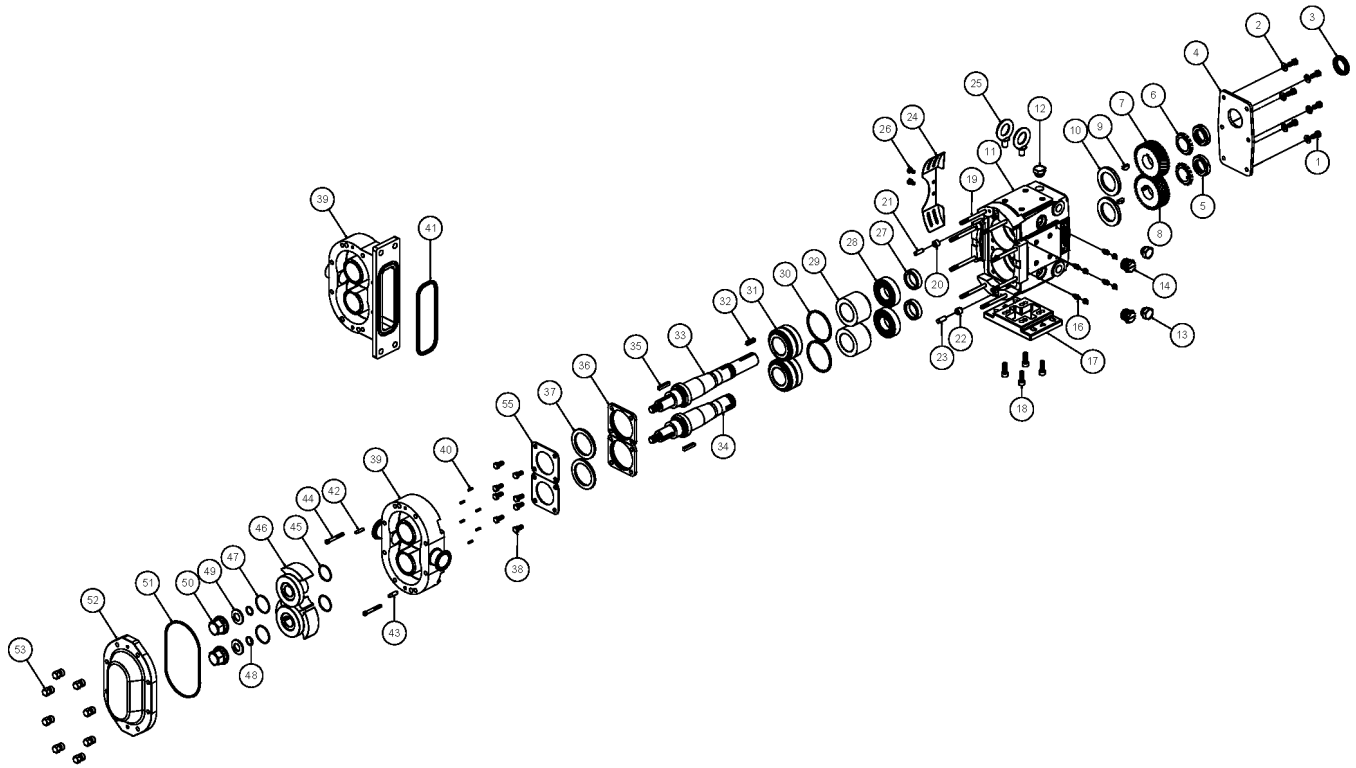
Ref #	Component Item No.	Description	Qty Per
1	P2GX015000-N	SEAL KIT, SGL MECH, ELASTOMERS ONLY, BUNA - ZP2 6/15/18	1
	<i>P2GX015000-E</i>	<i>SEAL KIT, SGL MECH, ELASTOMERS ONLY, EPDM - ZP2 6/15/18</i>	<i>1</i>
	<i>P2GX015000-V</i>	<i>SEAL KIT, SGL MECH, ELASTOMERS ONLY, VITON - ZP2 6/15/18</i>	<i>1</i>
2	P2GS015000-N	SEAL KIT, SGL MECH, SC/CA, BUNA - ZP2 6/15/18	1
	<i>P2GS015000-E</i>	<i>SEAL KIT, SGL MECH, SC/CA, EPDM - ZP2 6/15/18</i>	<i>1</i>
	<i>P2GS015000-V</i>	<i>SEAL KIT, SGL MECH, SC/CA, VITON - ZP2 6/15/18</i>	<i>1</i>
3	P2GS015020-N	SEAL KIT, SGL MECH, CE/CA, BUNA - ZP2 6/15/18	1
	<i>P2GS015020-E</i>	<i>SEAL KIT, SGL MECH, CE/CA, EPDM - ZP2 6/15/18</i>	<i>1</i>
	<i>P2GS015020-V</i>	<i>SEAL KIT, SGL MECH, CE/CA, VITON - ZP2 6/15/18</i>	<i>1</i>
4	<i>P2GS015030-V</i>	<i>SEAL KIT, SGL MECH, CE/CE, VITON - ZP2 6/15/18</i>	<i>1</i>
5	P2GS015010-N	SEAL KIT, SGL MECH, SC/SC, BUNA - ZP2 6/15/18	1
	<i>P2GS015010-E</i>	<i>SEAL KIT, SGL MECH, SC/SC, EPDM - ZP2 6/15/18</i>	<i>1</i>
	<i>P2GS015010-V</i>	<i>SEAL KIT, SGL MECH, SC/SC, VITON - ZP2 6/15/18</i>	<i>1</i>
49	P2GX101691	BELLEVILLE WASHER, SS - ZP2 6/15/18/24	2
50	P2SX101804	ROTOR NUT - ZP2 6/15/18/24	2



Double Mechanical Seal Kit

Optional Items Shown in ITALICS

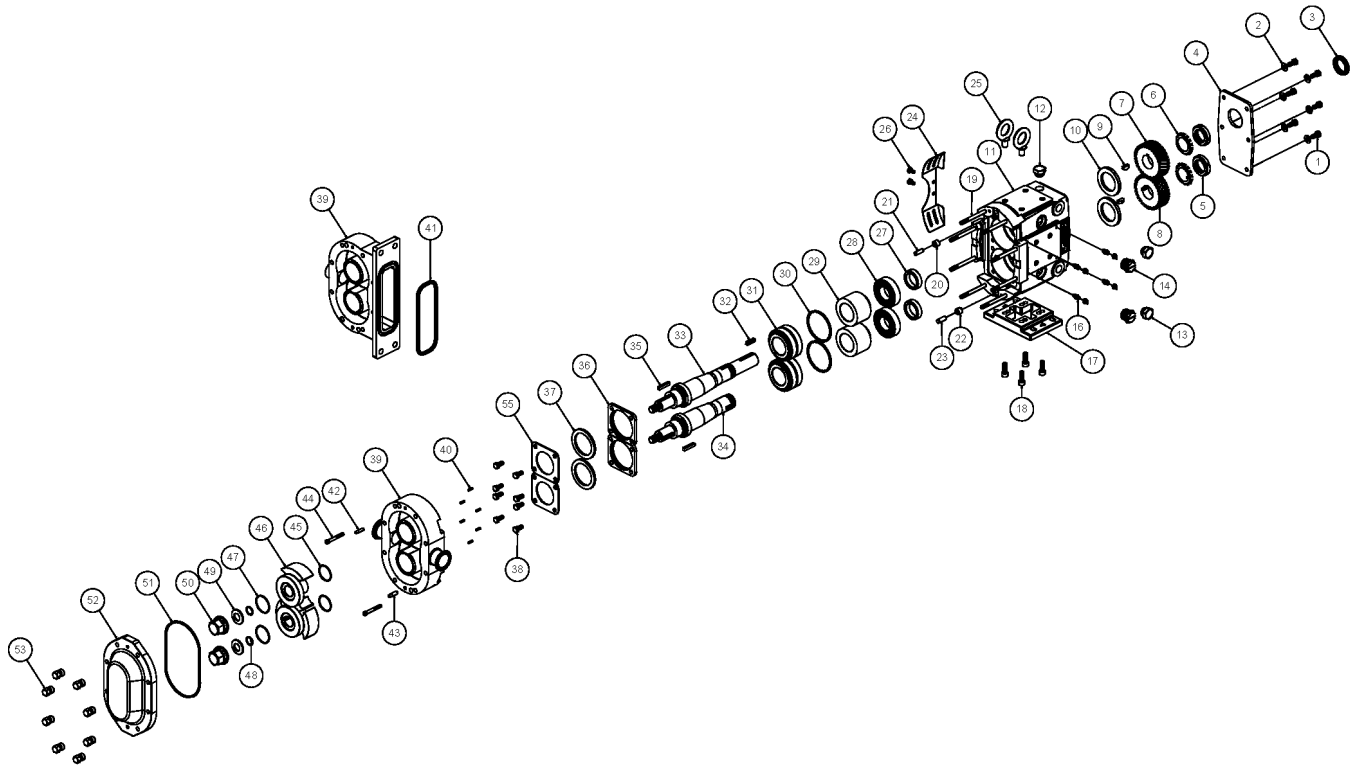
Ref #	Component Item No.	Description	Qty Per
1	P2GX015200-N	SEAL KIT, DBL MECH, ELASTOMERS ONLY, BUNA - ZP2 6/15/18	1
	<i>P2GX015200-E</i>	<i>SEAL KIT, DBL MECH, ELASTOMERS ONLY, EPDM - ZP2 6/15/18</i>	<i>1</i>
	<i>P2GX015200-V</i>	<i>SEAL KIT, DBL MECH, ELASTOMERS ONLY, VITON - ZP2 6/15/18</i>	<i>1</i>
2	P2GS015200-N	SEAL KIT, DBL MECH, SC/CA/CA, BUNA - ZP2 6/15/18	1
	<i>P2GS015200-E</i>	<i>SEAL KIT, DBL MECH, SC/CA/CA, EPDM - ZP2 6/15/18</i>	<i>1</i>
	<i>P2GS015200-V</i>	<i>SEAL KIT, DBL MECH, SC/CA/CA, VITON - ZP2 6/15/18</i>	<i>1</i>
3	P2GS015220-N	SEAL KIT, DBL MECH, CE/CA/CA, BUNA - ZP2 6/15/18	1
	<i>P2GS015220-E</i>	<i>SEAL KIT, DBL MECH, CE/CA/CA, EPDM - ZP2 6/15/18</i>	<i>1</i>
	<i>P2GS015220-V</i>	<i>SEAL KIT, DBL MECH, CE/CA/CA, VITON - ZP2 6/15/18</i>	<i>1</i>
5	P2GS015210-N	SEAL KIT, DBL MECH, SC/SC/CA, BUNA - ZP2 6/15/18	1
	<i>P2GS015210-E</i>	<i>SEAL KIT, DBL MECH, SC/SC/CA, EPDM - ZP2 6/15/18</i>	<i>1</i>
	<i>P2GS015210-V</i>	<i>SEAL KIT, DBL MECH, SC/SC/CA, VITON - ZP2 6/15/18</i>	<i>1</i>
49	P2GX101691	BELLEVILLE WASHER, SS - ZP2 6/15/18/24	2
50	P2SX101804	ROTOR NUT - ZP2 6/15/18/24	2



Exploded View

Optional Items Shown in ITALICS

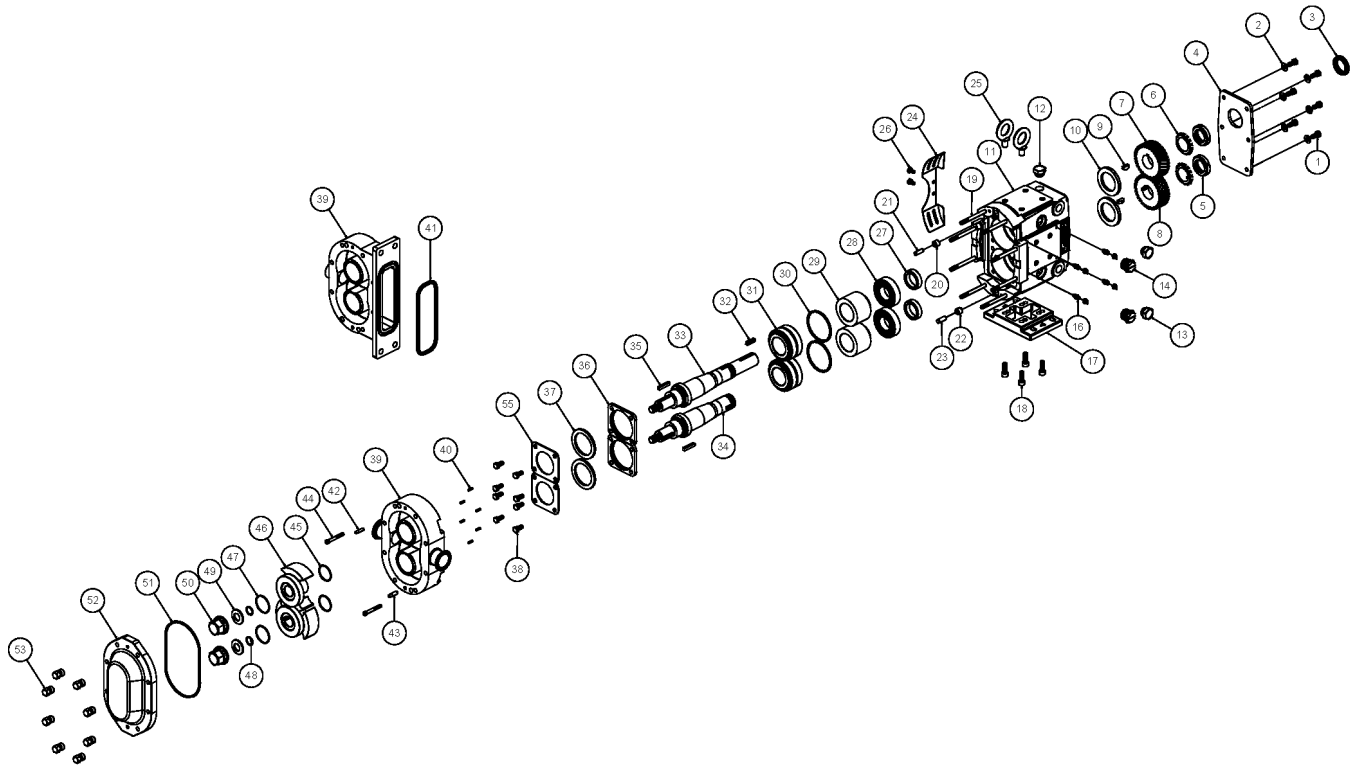
Ref #	Component Item No.	Description	Qty Per
1	P1GX30-58	1/4-20 X 3/4" HHCS, G.CASE COVER, SS - ZP1 & ZP2 6/15/18/30/	6
2	P1GX43-108	FLAT WASHER, G CASE COVER, 1/4 X 5/8 OD, SS - ZP1 & ZP2 6/15	6
3	P1GX000030016-ND	OIL SEAL, PTFE, GEAR CASE COVER - ZP1 & ZP2 6/15/18	1
	<i>P1GX000030016</i>	<i>OIL SEAL, GEAR CASE COVER - ZP1 & ZP2 6/15/18</i>	1
4	P1SX020106000	GEAR CASE COVER, SS - ZP1 & ZP2 6/15/18/24	1
5	P1GXSTD236005	GEAR LOCK NUT - ZP1 & ZP2 6/15/18	2
6	P1GXSTD136005	GEAR LOCKWASHER ZP1 & ZP2 6/15/18	2
7	P1GX015007001	GEAR DRIVE SHAFT ZP1 & ZP2 6/15/18	1
8	P1GX015007002	GEAR SHORT SHAFT ZP1 & ZP2 6/15/18	1
9	P1GX015037000	GEAR KEY - ZP1 & ZP2 6/15/18/24	2
10	P1GX000030017	OIL SEAL, REAR - ZP1 & ZP2 6/15/18	2
11	P1SX020005000	GEAR CASE, SS - ZP1 & ZP2 6/15/18/24	1
12	P1GX115798	PLUG,HEX,20M X1.5,W/NBR SEAL	5
13	P1GX115799	GAUGE,OIL,LVL,INDIC,M-20X1.5	1
14	P1GX20PLUG-SS	CLEANOUT PLUG, SS - ZP1 6/15/18	4
	<i>P1GX20PLUG</i>	<i>CLEANOUT PLUG, YELLOW - ZP1 6/15/18</i>	4
16	P1GXB0092001	GREASE FITTING, THREADED 1/4"-28 TAPER, SS	8
17	P1SX020110000	GEAR CASE BASE, SS - ZP1 & ZP2 6/15/18/24	1
18	P1GX15SHCSGCB	SHCS, G. CASE BASE, (18-8 SS) 5/16-18 X 3/4 - ZP1 & ZP2 6/15	4
19	P1GXAD0011000	STUD, ZP2 6/15	8
	<i>P1GXAD0011J00</i>	<i>STUD, JACKETED COVER, ZP2 6/15</i>	8
20	P1GXAD0116000	UPPER DOWEL BUSHING - ZP1 & ZP2 6/15/18	1
21	P1GX124581	DOWEL PIN - ZP1 & ZP2 6/15/18/24	1
22	P1GXAD0116100	LOWER DOWEL BUSHING - ZP1 & ZP2 6/15/18	1
23	P1GX124582	DOWEL PIN - ZP1 & ZP2 45/60/64/130/134	1
24	P1SX020CEGUARD	GUARD,6-24,(CE),GC,SS	2
26	P1GX000CENAIL	DRIVENAIL,ZP,GEAR CASE GUARDS	4



Exploded View

Optional Items Shown in ITALICS

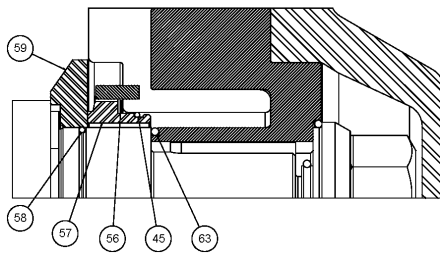
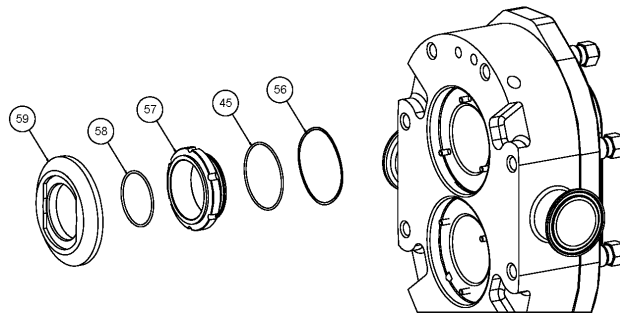
Ref #	Component Item No.	Description	Qty Per
27	P1GX015055000	GEAR TO REAR BEARING SPACER - ZP1 & ZP2 6/15/18/24	2
28	P1GX015035000	REAR BEARING - ZP1 & ZP2 6/14/15/18/24	2
29	P1GX101814	BEARING SPACER - ZP1 & ZP2 6/15/18/24	2
30	P1GX117889	SHIM KIT - ZP1 & ZP2 6/15/18/24	2
31	P1GX101714	FRONT BEARING - ZP1 & ZP2 6/14/15/18/24	2
32	P1GX000037001	DRIVE KEY, 3/16 SQ. X 1-1/8" - ZP1 & ZP2 6/15/18	1
33	P2SX108405	DRIVE SHAFT (17-4PH) - ZP2 6/15	1
34	P2SX108406	SHORT SHAFT (17-4PH) - ZP2 6/15	1
35	P2SX101817	ROTOR KEY - ZP2 6/15	2
36	P1SX120332	BEARING RETAINER, NEW STYLE 3A - ZP1 & ZP2 6/15/18/24	2
37	P1GX121679-ND	GREASE SEAL, PTFE, FRONT BEARING RET. 3A - ZP1 & ZP2 6/15/18	2
	<i>P1GX121679</i>	<i>GREASE SEAL FRONT BEARING RET. 3A - ZP1 & ZP2 6/15/18</i>	2
38	P1GX30-58BHCS	1/4-20 x 3/8" BUTTON HEAD CAP SCREW, SS	8
39	P2BDY015001000	BODY - ZP2 15	1
	<i>P2BDY015001F00</i>	<i>BODY - ZP2 15 - FLUSHED</i>	1
40	P2GX101718	STOP PIN,SEAL - ZP2 6/15/18/24	6
42	P1GX124581	DOWEL PIN - ZP1 & ZP2 6/15/18/24	1
43	P1GX124582	DOWEL PIN - ZP1 & ZP2 45/60/64/130/134	1
44	P1GX30-523	CAPSCRW,SH,1/4-20X1-1/4,18-8SS SCKT HD	2
45	N70028	O-RING, INNER SEAL (BUNA) - ZP2 6/15/18	2
	<i>E70028</i>	<i>O-RING, INNER SEAL (EPDM) - ZP2 6/15/18</i>	2
	<i>V70028</i>	<i>O-RING, INNER SEAL (VITON) - ZP2 6/15/18</i>	2
46	P2RTB015010000	ROTOR TWIN BLADE - ZP2 15 (STD) - ALLOY 88	2
	<i>P2RTB01501000H</i>	<i>ROTOR TWIN BLADE - ZP2 15 (STD) - ALLOY 88 - HOT CLEARANCE</i>	2
	<i>P2RTB0150100HC</i>	<i>ROTOR TWIN BLADE - ZP2 15 (STD) - ALLOY 88 - HOT CHOCOLATE</i>	2
	<i>P2RTB015010200</i>	<i>ROTOR TWIN BLADE - ZP2 15 (STD) - 316L</i>	2
47	N70126	O-RING, ROTOR NUT (BUNA) - ZP2 6/15/18	2



Exploded View

Optional Items Shown in ITALICS

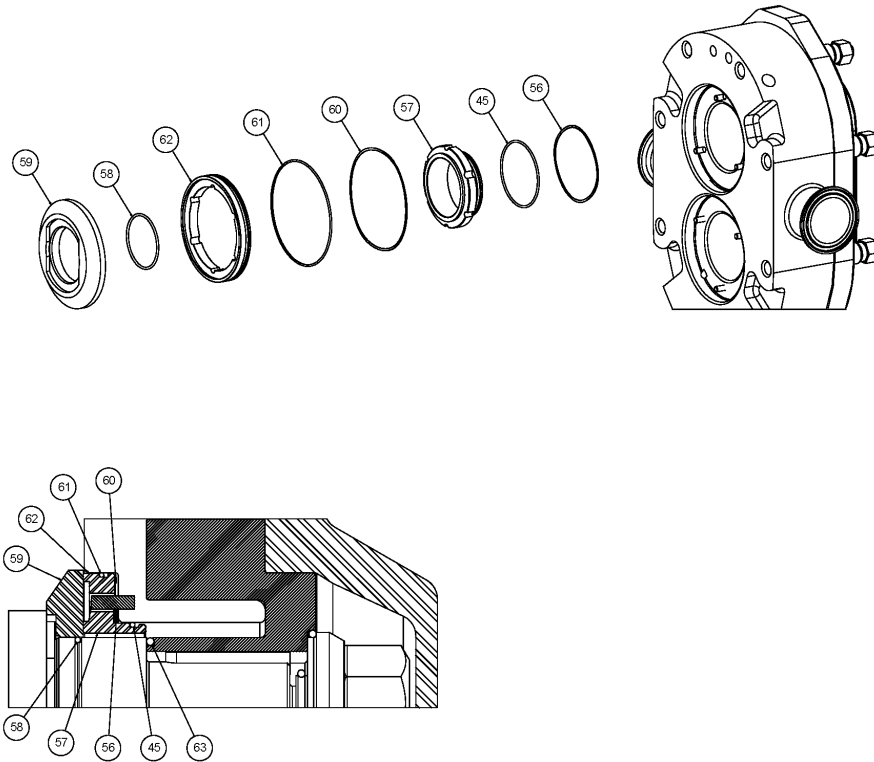
Ref #	Component Item No.	Description	Qty Per
47	<i>E70126</i>	<i>O-RING, ROTOR NUT (EPDM) - ZP2 6/15/18</i>	2
	<i>V70126</i>	<i>O-RING, ROTOR NUT (VITON) - ZP2 6/15/18</i>	2
48	N70112	O-RING, RETAINER (BUNA) - ZP2 6/15/18	2
	<i>E70112</i>	<i>O-RING, RETAINER (EPDM) - ZP2 6/15/18</i>	2
	<i>V70112</i>	<i>O-RING, RETAINER (VITON) - ZP2 6/15/18</i>	2
49	P2GX101691	BELLEVILLE WASHER, SS - ZP2 6/15/18/24	2
50	P2SX101804	ROTOR NUT - ZP2 6/15/18/24	2
51	N70249	O-RING, COVER (BUNA) - ZP2 6/15/18	1
	<i>E70249</i>	<i>O-RING, COVER (EPDM) - ZP2 6/15/18</i>	1
	<i>V70249</i>	<i>O-RING, COVER (VITON) - ZP2 6/15/18</i>	1
52	P2CVR101842	COVER - ZP2 6/15/18/24	1
	<i>P2CVR107664</i>	<i>COVER, JACKETED - ZP2 6/15/18/24</i>	1
53	P1SX108369	COVER HEX NUT - ZP1 & ZP2 6/15/18/24	8
	<i>P1GX105850</i>	<i>WING NUT - ZP1 & ZP2 6/15/18</i>	8
55	P1SX020SPLATE	BEARING RETAINER SPLASH PLATE - ZP1 & ZP2 6/15/18	2
900	P1GXAD0096001	PICK,COMBO,O-RING ZP1 ZP2	1
901	P1GX000140003	OIL,460FG,MAGNAPLT,1GAL ZP	1
902	P1GX000140002	GREASE,HALO GUARD,14OZ TUBE ZP	1
903	P1GXRTVSEAL	SILICONE,DOW,732,30Z ZP1 ZP2	1



Single Mechanical Seal

Optional Items Shown in ITALICS

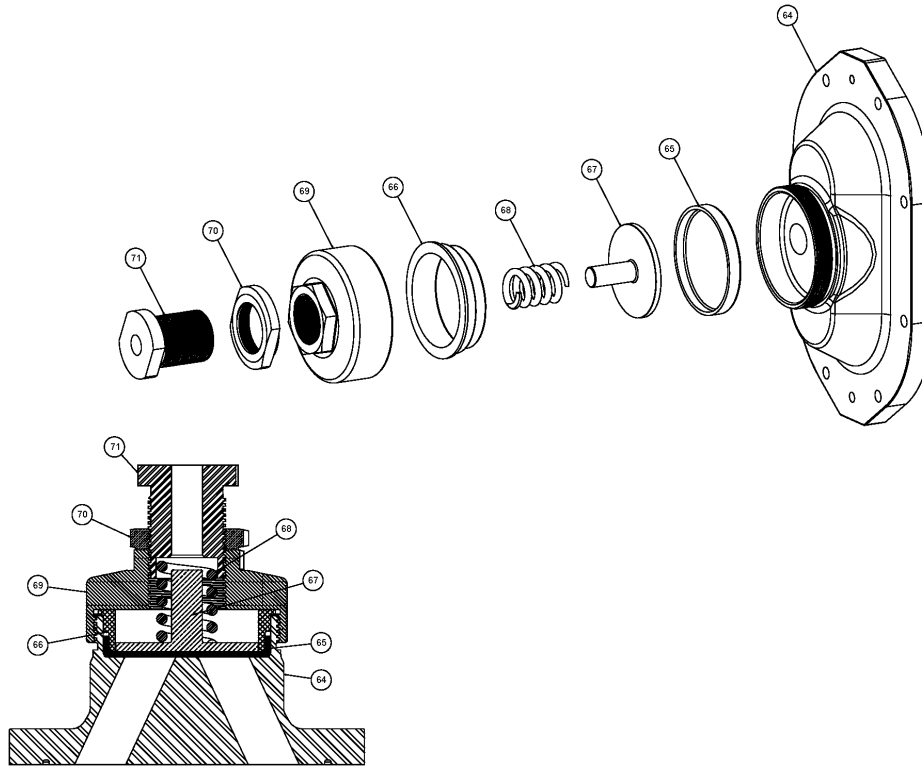
Ref #	Component Item No.	Description	Qty Per
45	N70028	O-RING, INNER SEAL (BUNA) - ZP2 6/15/18	2
	<i>E70028</i>	<i>O-RING, INNER SEAL (EPDM) - ZP2 6/15/18</i>	2
	<i>V70028</i>	<i>O-RING, INNER SEAL (VITON) - ZP2 6/15/18</i>	2
56	P2GS101683	INNER SEAL WAVE SPRING - ZP2 6/15/18	2
57	P2GS101652	INNER SEAL (K) - ZP2 6/15/18/24	2
	<i>P2GS101653</i>	<i>INNER SEAL (C) - ZP2 6/15/18/24</i>	2
	<i>P2GS101651</i>	<i>INNER SEAL (N) - ZP2 6/15/18/24</i>	2
58	N70024	O-RING, SHAFT (BUNA) - ZP2 6/15/18	2
	<i>E70024</i>	<i>O-RING, SHAFT (EPDM) - ZP2 6/15/18</i>	2
	<i>V70024</i>	<i>O-RING, SHAFT (VITON) - ZP2 6/15/18</i>	2
59	P2GS101668	SEAL SEAT (C) ZP2 6/15/18/24	2
	<i>P2GS101667</i>	<i>SEAL SEAT (K) ZP2 6/15/18/24</i>	2
63	N70121	O-RING, ROTOR HUB (BUNA) - ZP2 6/15/18	2
	<i>E70121</i>	<i>O-RING, ROTOR HUB (EPDM) - ZP2 6/15/18</i>	2
	<i>V70121</i>	<i>O-RING, ROTOR HUB (VITON) - ZP2 6/15/18</i>	2



Double Mechanical Seal

Optional Items Shown in ITALICS

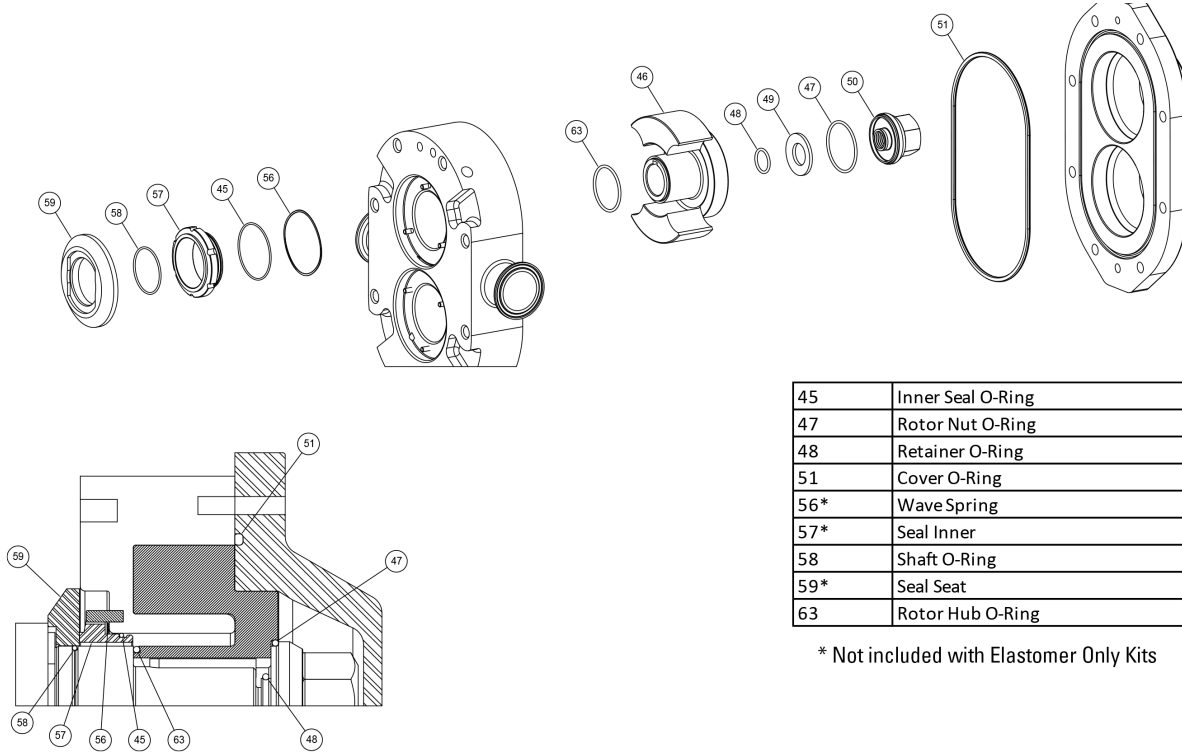
Ref #	Component Item No.	Description	Qty Per
45	N70028	O-RING, INNER SEAL (BUNA) - ZP2 6/15/18	2
	<i>E70028</i>	<i>O-RING, INNER SEAL (EPDM) - ZP2 6/15/18</i>	2
	<i>V70028</i>	<i>O-RING, INNER SEAL (VITON) - ZP2 6/15/18</i>	2
56	P2GS101683	INNER SEAL WAVE SPRING - ZP2 6/15/18	2
57	P2GS101652	INNER SEAL (K) - ZP2 6/15/18/24	2
	<i>P2GS101653</i>	<i>INNER SEAL (C) - ZP2 6/15/18/24</i>	2
	<i>P2GS101651</i>	<i>INNER SEAL (N) - ZP2 6/15/18/24</i>	2
58	N70024	O-RING, SHAFT (BUNA) - ZP2 6/15/18	2
	<i>E70024</i>	<i>O-RING, SHAFT (EPDM) - ZP2 6/15/18</i>	2
	<i>V70024</i>	<i>O-RING, SHAFT (VITON) - ZP2 6/15/18</i>	2
59	P2GS101668	SEAL SEAT (C) ZP2 6/15/18/24	2
	<i>P2GS101667</i>	<i>SEAL SEAT (K) ZP2 6/15/18/24</i>	2
60	P2GS101684	OUTER SEAL WAVE SPRING - ZP2 6/15/18	2
61	N70035	O-RING, OUTER SEAL (BUNA) - ZP2 6/15/18	2
	<i>E70035</i>	<i>O-RING, OUTER SEAL (EPDM) - ZP2 6/15/18</i>	2
	<i>V70035</i>	<i>O-RING, OUTER SEAL (VITON) - ZP2 6/15/18</i>	2
62	P2GS101679	OUTER SEAL (N) - ZP2 6/15/18	2
63	N70121	O-RING, ROTOR HUB (BUNA) - ZP2 6/15/18	2
	<i>E70121</i>	<i>O-RING, ROTOR HUB (EPDM) - ZP2 6/15/18</i>	2
	<i>V70121</i>	<i>O-RING, ROTOR HUB (VITON) - ZP2 6/15/18</i>	2



Pressure Relief Cover

Optional Items Shown in ITALICS

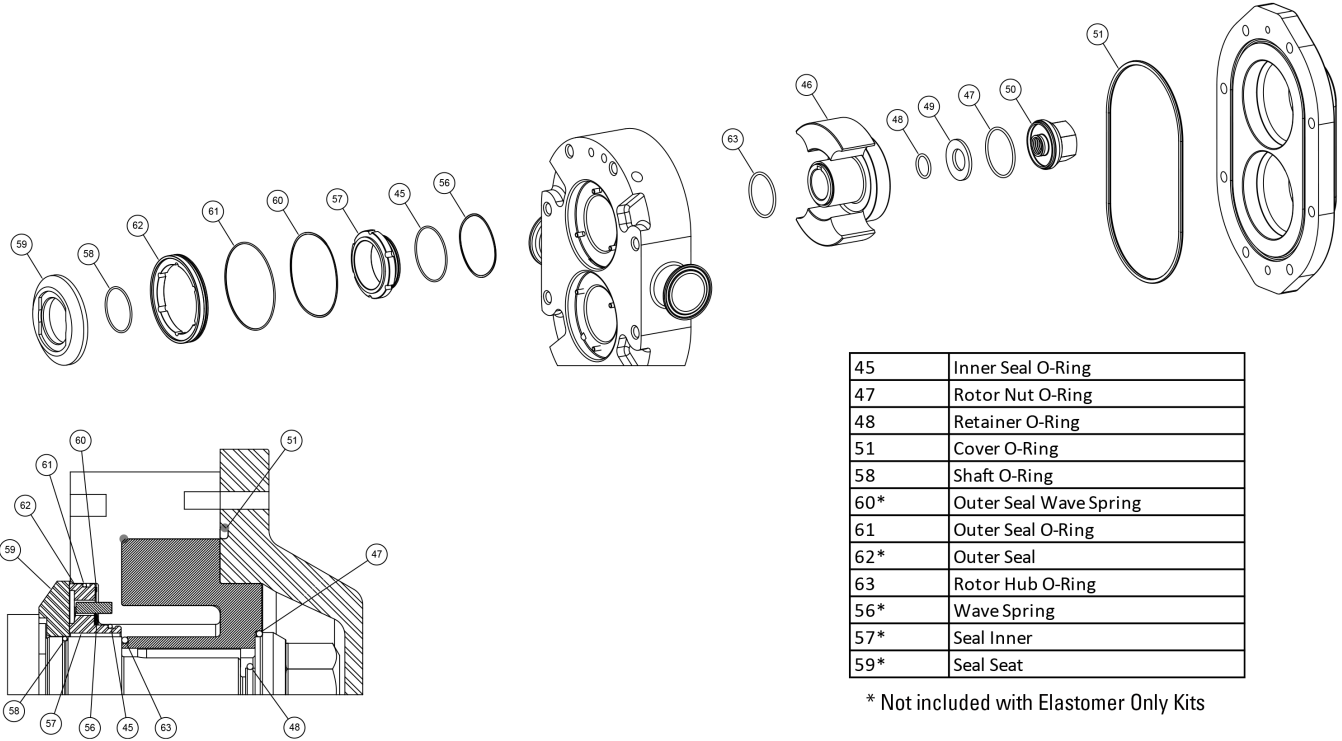
Ref #	Component Item No.	Description	Qty Per
64	P2CVR103669	VENTED FRONT COVER, ZP2 - 6/15/18	1
65	P1GXAD0078000	RUBBER DIAPHRAGM, BUNA, ZP1 & ZP2 & ZP3 - 6/15/18/30/34/40	1
	<i>P1GXAD0078EP0</i>	<i>RUBBER DIAPHRAGM, EPDM, ZP1 & ZP2 & ZP3 - 6/15/18/30/34/40</i>	1
	<i>P1GXAD0078V00</i>	<i>RUBBER DIAPHRAGM, VITON, ZP1 & ZP2 & ZP3 - 6/15/18/30/34/40</i>	1
66	P1SXAD0077000	DIAPHRAGM BUSHING, ZP1 & ZP2 & ZP3 - 6/15/18/30/34/40	1
67	P1SXAD0073000	SPRING PLUNGER, ZP1 & ZP2 & ZP3 - 6/15/18/30/34/40	1
68	P1SXAD0076000	SPRING, MEDIUM, (LESS THAN 150 PSI), ZP1 & ZP2 & ZP3 - 6/15/18/30/34/40	1
	<i>P1SXABB076100</i>	<i>SPRING, HIGH, (MORE THAN 150 PSI), ZP1 & ZP2 & ZP3 - 6/15/18/30/34/40</i>	1
69	P1SXAD0075000	COVER NUT, ZP1 & ZP2 & ZP3 - 6/15/18/30/34/40	1
70	P1SXAD0074000	LOCKNUT, ZP1 & ZP2 & ZP3 - 6/15/18/30/34/40	1
71	P1SXAD0072000	ADJUSTING SCREW, ZP1 & ZP2 & ZP3 - 6/15/18/30/34/40	1



Single Mechanical Seal Kit

Optional Items Shown in ITALICS

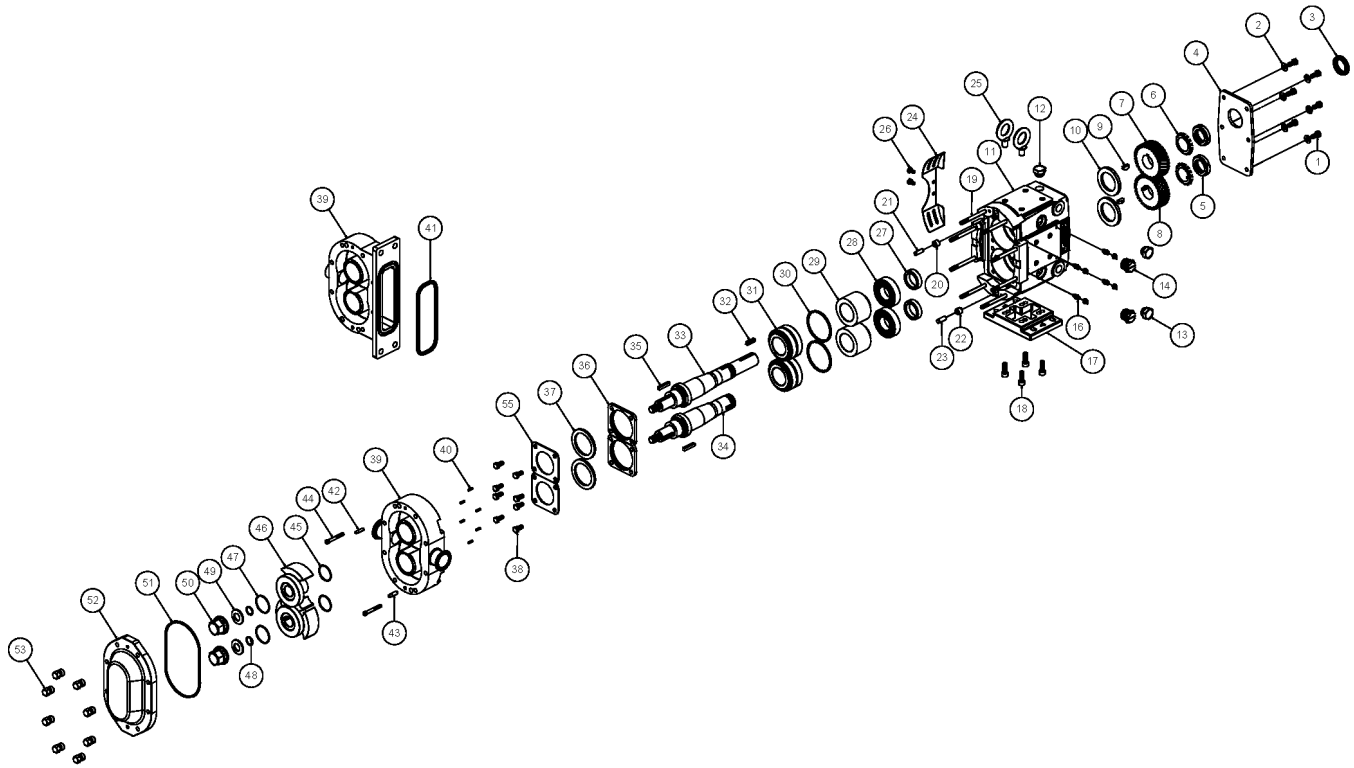
Ref #	Component Item No.	Description	Qty Per
1	P2GX015000-N	SEAL KIT, SGL MECH, ELASTOMERS ONLY, BUNA - ZP2 6/15/18	1
	<i>P2GX015000-E</i>	<i>SEAL KIT, SGL MECH, ELASTOMERS ONLY, EPDM - ZP2 6/15/18</i>	<i>1</i>
	<i>P2GX015000-V</i>	<i>SEAL KIT, SGL MECH, ELASTOMERS ONLY, VITON - ZP2 6/15/18</i>	<i>1</i>
2	P2GS015000-N	SEAL KIT, SGL MECH, SC/CA, BUNA - ZP2 6/15/18	1
	<i>P2GS015000-E</i>	<i>SEAL KIT, SGL MECH, SC/CA, EPDM - ZP2 6/15/18</i>	<i>1</i>
	<i>P2GS015000-V</i>	<i>SEAL KIT, SGL MECH, SC/CA, VITON - ZP2 6/15/18</i>	<i>1</i>
3	P2GS015020-N	SEAL KIT, SGL MECH, CE/CA, BUNA - ZP2 6/15/18	1
	<i>P2GS015020-E</i>	<i>SEAL KIT, SGL MECH, CE/CA, EPDM - ZP2 6/15/18</i>	<i>1</i>
	<i>P2GS015020-V</i>	<i>SEAL KIT, SGL MECH, CE/CA, VITON - ZP2 6/15/18</i>	<i>1</i>
4	<i>P2GS015030-V</i>	<i>SEAL KIT, SGL MECH, CE/CE, VITON - ZP2 6/15/18</i>	<i>1</i>
5	P2GS015010-N	SEAL KIT, SGL MECH, SC/SC, BUNA - ZP2 6/15/18	1
	<i>P2GS015010-E</i>	<i>SEAL KIT, SGL MECH, SC/SC, EPDM - ZP2 6/15/18</i>	<i>1</i>
	<i>P2GS015010-V</i>	<i>SEAL KIT, SGL MECH, SC/SC, VITON - ZP2 6/15/18</i>	<i>1</i>
49	P2GX101691	BELLEVILLE WASHER, SS - ZP2 6/15/18/24	2
50	P2SX101804	ROTOR NUT - ZP2 6/15/18/24	2



Double Mechanical Seal Kit

Optional Items Shown in ITALICS

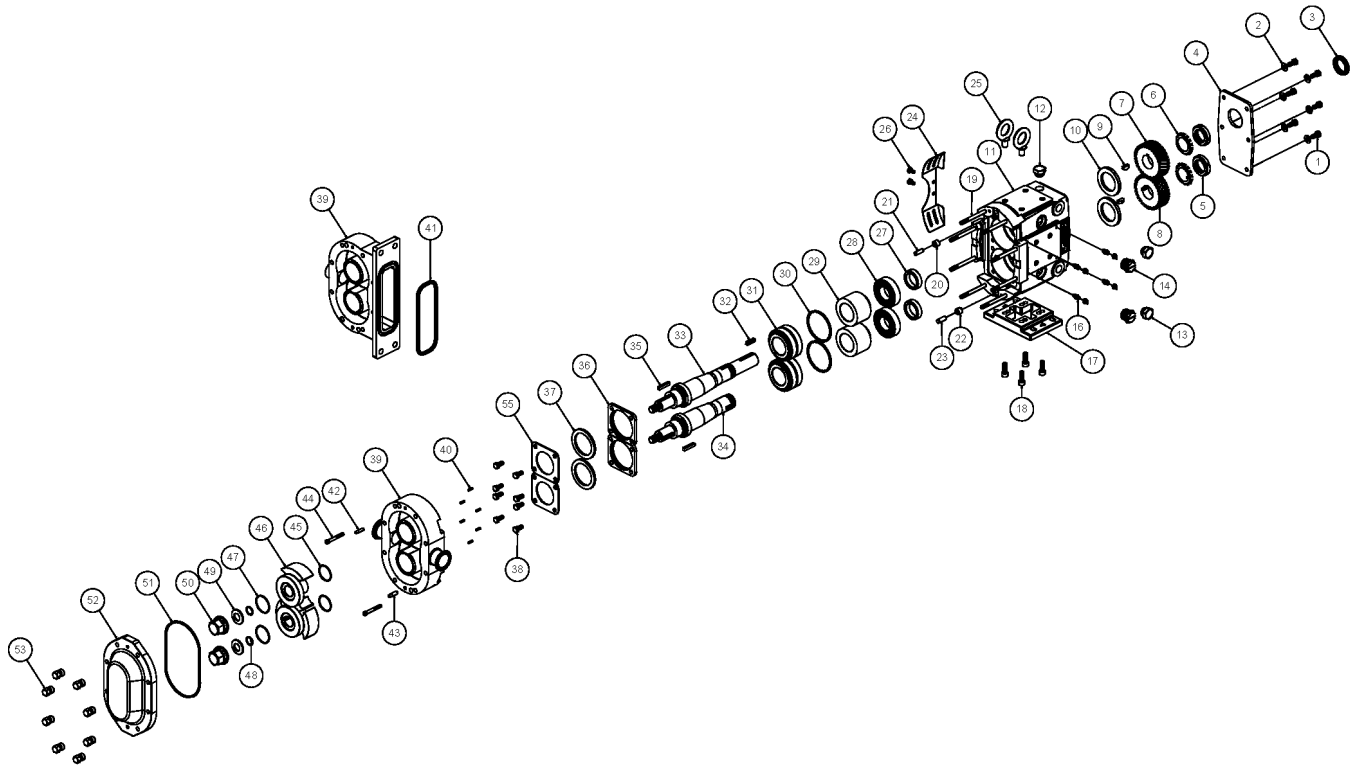
Ref #	Component Item No.	Description	Qty Per
1	P2GX015200-N	SEAL KIT, DBL MECH, ELASTOMERS ONLY, BUNA - ZP2 6/15/18	1
	<i>P2GX015200-E</i>	<i>SEAL KIT, DBL MECH, ELASTOMERS ONLY, EPDM - ZP2 6/15/18</i>	<i>1</i>
	<i>P2GX015200-V</i>	<i>SEAL KIT, DBL MECH, ELASTOMERS ONLY, VITON - ZP2 6/15/18</i>	<i>1</i>
2	P2GS015200-N	SEAL KIT, DBL MECH, SC/CA/CA, BUNA - ZP2 6/15/18	1
	<i>P2GS015200-E</i>	<i>SEAL KIT, DBL MECH, SC/CA/CA, EPDM - ZP2 6/15/18</i>	<i>1</i>
	<i>P2GS015200-V</i>	<i>SEAL KIT, DBL MECH, SC/CA/CA, VITON - ZP2 6/15/18</i>	<i>1</i>
3	P2GS015220-N	SEAL KIT, DBL MECH, CE/CA/CA, BUNA - ZP2 6/15/18	1
	<i>P2GS015220-E</i>	<i>SEAL KIT, DBL MECH, CE/CA/CA, EPDM - ZP2 6/15/18</i>	<i>1</i>
	<i>P2GS015220-V</i>	<i>SEAL KIT, DBL MECH, CE/CA/CA, VITON - ZP2 6/15/18</i>	<i>1</i>
5	P2GS015210-N	SEAL KIT, DBL MECH, SC/SC/CA, BUNA - ZP2 6/15/18	1
	<i>P2GS015210-E</i>	<i>SEAL KIT, DBL MECH, SC/SC/CA, EPDM - ZP2 6/15/18</i>	<i>1</i>
	<i>P2GS015210-V</i>	<i>SEAL KIT, DBL MECH, SC/SC/CA, VITON - ZP2 6/15/18</i>	<i>1</i>
49	P2GX101691	BELLEVILLE WASHER, SS - ZP2 6/15/18/24	2
50	P2SX101804	ROTOR NUT - ZP2 6/15/18/24	2



Exploded View

Optional Items Shown in ITALICS

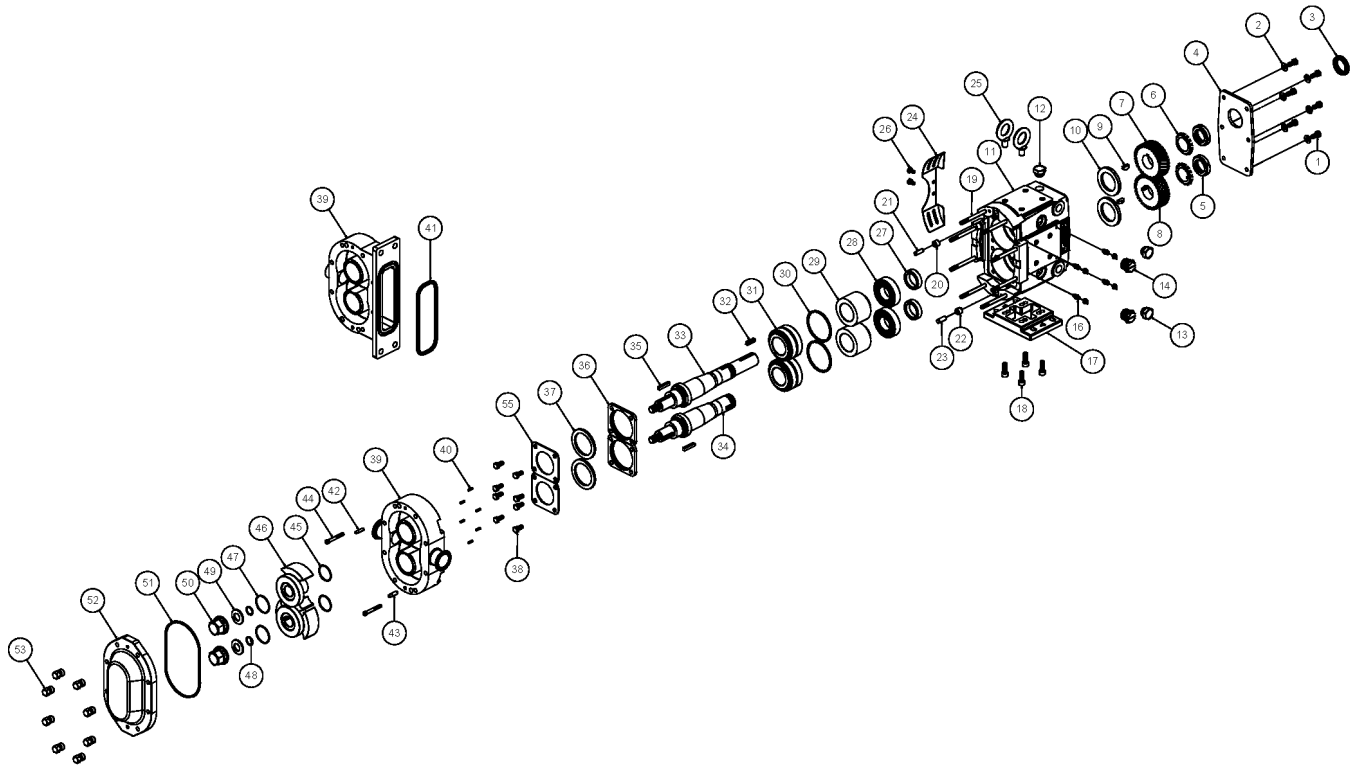
Ref #	Component Item No.	Description	Qty Per
1	P1GX30-58	1/4-20 X 3/4" HHCS, G.CASE COVER, SS - ZP1 & ZP2 6/15/18/30/	6
2	P1GX43-108	FLAT WASHER, G CASE COVER, 1/4 X 5/8 OD, SS - ZP1 & ZP2 6/15	6
3	P1GX000030016-ND	OIL SEAL, PTFE, GEAR CASE COVER - ZP1 & ZP2 6/15/18	1
	<i>P1GX000030016</i>	<i>OIL SEAL, GEAR CASE COVER - ZP1 & ZP2 6/15/18</i>	1
4	P1SX020106000	GEAR CASE COVER, SS - ZP1 & ZP2 6/15/18/24	1
5	P1GXSTD236005	GEAR LOCK NUT - ZP1 & ZP2 6/15/18	2
6	P1GXSTD136005	GEAR LOCKWASHER ZP1 & ZP2 6/15/18	2
7	P1GX015007001	GEAR DRIVE SHAFT ZP1 & ZP2 6/15/18	1
8	P1GX015007002	GEAR SHORT SHAFT ZP1 & ZP2 6/15/18	1
9	P1GX015037000	GEAR KEY - ZP1 & ZP2 6/15/18/24	2
10	P1GX000030017	OIL SEAL, REAR - ZP1 & ZP2 6/15/18	2
11	P1SX020005000	GEAR CASE, SS - ZP1 & ZP2 6/15/18/24	1
12	P1GX115798	PLUG,HEX,20M X1.5,W/NBR SEAL	5
13	P1GX115799	GAUGE,OIL,LVL,INDIC,M-20X1.5	1
14	P1GX20PLUG-SS	CLEANOUT PLUG, SS - ZP1 6/15/18	4
	<i>P1GX20PLUG</i>	<i>CLEANOUT PLUG, YELLOW - ZP1 6/15/18</i>	4
16	P1GXB0092001	GREASE FITTING, THREADED 1/4"-28 TAPER, SS	8
17	P1SX020110000	GEAR CASE BASE, SS - ZP1 & ZP2 6/15/18/24	1
18	P1GX15SHCSGCB	SHCS, G. CASE BASE, (18-8 SS) 5/16-18 X 3/4 - ZP1 & ZP2 6/15	4
19	P2GX101721	STUD, ZP2 18	8
	<i>P1GXAD0011100</i>	<i>STUD, JACKETED COVER, ZP2 18</i>	8
20	P1GXAD0116000	UPPER DOWEL BUSHING - ZP1 & ZP2 6/15/18	1
21	P1GX124581	DOWEL PIN - ZP1 & ZP2 6/15/18/24	1
22	P1GXAD0116100	LOWER DOWEL BUSHING - ZP1 & ZP2 6/15/18	1
23	P1GX124582	DOWEL PIN - ZP1 & ZP2 45/60/64/130/134	1
24	P1SX020CEGUARD	GUARD,6-24,(CE),GC,SS	2
26	P1GX000CENAIL	DRIVENAIL,ZP,GEAR CASE GUARDS	4



Exploded View

Optional Items Shown in ITALICS

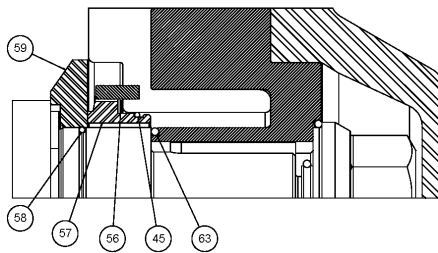
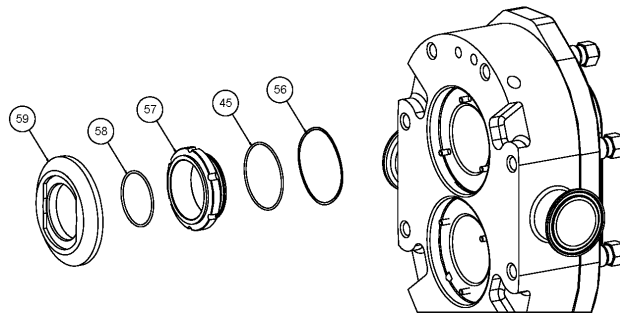
Ref #	Component Item No.	Description	Qty Per
27	P1GX015055000	GEAR TO REAR BEARING SPACER - ZP1 & ZP2 6/15/18/24	2
28	P1GX015035000	REAR BEARING - ZP1 & ZP2 6/14/15/18/24	2
29	P1GX101814	BEARING SPACER - ZP1 & ZP2 6/15/18/24	2
30	P1GX117889	SHIM KIT - ZP1 & ZP2 6/15/18/24	2
31	P1GX101714	FRONT BEARING - ZP1 & ZP2 6/14/15/18/24	2
32	P1GX000037001	DRIVE KEY, 3/16 SQ. X 1-1/8" - ZP1 & ZP2 6/15/18	1
33	P2SX108407	DRIVE SHAFT (17-4PH) - ZP2 18	1
34	P2SX108408	SHORT SHAFT (17-4PH) - ZP2 18	1
35	P2SX101819	ROTOR KEY - ZP2 18	2
36	P1SX120332	BEARING RETAINER, NEW STYLE 3A - ZP1 & ZP2 6/15/18/24	2
37	P1GX121679-ND	GREASE SEAL, PTFE, FRONT BEARING RET. 3A - ZP1 & ZP2 6/15/18	2
	<i>P1GX121679</i>	<i>GREASE SEAL FRONT BEARING RET. 3A - ZP1 & ZP2 6/15/18</i>	2
38	P1GX30-58BHCS	1/4-20 x 3/8" BUTTON HEAD CAP SCREW, SS	8
39	P2BDY018001000	BODY - ZP2 18	1
	<i>P2BDY018001F00</i>	<i>BODY - ZP2 18 - FLUSHED</i>	1
40	P2GX101718	STOP PIN,SEAL - ZP2 6/15/18/24	6
42	P1GX124581	DOWEL PIN - ZP1 & ZP2 6/15/18/24	1
43	P1GX124582	DOWEL PIN - ZP1 & ZP2 45/60/64/130/134	1
44	P1GX18RETSCREW	CAPSCRW,SH,1/4-20X1-3/4,18-8SS ZP1 SCKT HD	2
45	N70028	O-RING, INNER SEAL (BUNA) - ZP2 6/15/18	2
	<i>E70028</i>	<i>O-RING, INNER SEAL (EPDM) - ZP2 6/15/18</i>	2
	<i>V70028</i>	<i>O-RING, INNER SEAL (VITON) - ZP2 6/15/18</i>	2
46	P2RTB018010000	ROTOR TWIN BLADE - ZP2 18 (STD) - ALLOY 88	2
	<i>P2RTB01801000H</i>	<i>ROTOR TWIN BLADE - ZP2 18 (STD) - ALLOY 88 - HOT CLEARANCE</i>	2
47	N70126	O-RING, ROTOR NUT (BUNA) - ZP2 6/15/18	2
	<i>E70126</i>	<i>O-RING, ROTOR NUT (EPDM) - ZP2 6/15/18</i>	2
	<i>V70126</i>	<i>O-RING, ROTOR NUT (VITON) - ZP2 6/15/18</i>	2



Exploded View

Optional Items Shown in ITALICS

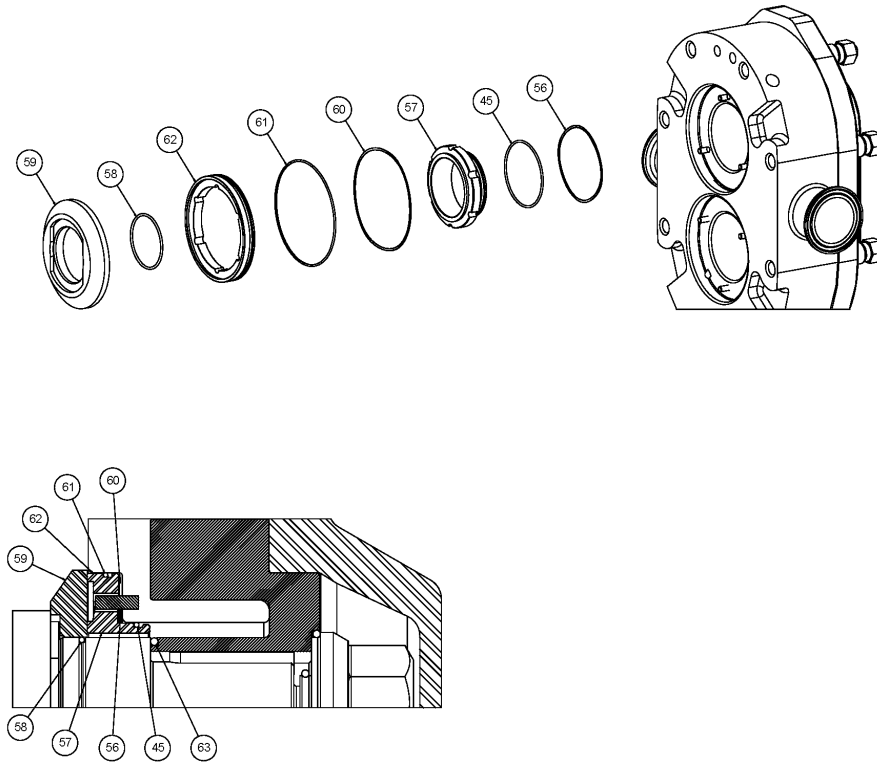
Ref #	Component Item No.	Description	Qty Per
48	N70112	O-RING, RETAINER (BUNA) - ZP2 6/15/18	2
	<i>E70112</i>	<i>O-RING, RETAINER (EPDM) - ZP2 6/15/18</i>	<i>2</i>
	<i>V70112</i>	<i>O-RING, RETAINER (VITON) - ZP2 6/15/18</i>	<i>2</i>
49	P2GX101691	BELLEVILLE WASHER, SS - ZP2 6/15/18/24	2
50	P2SX101804	ROTOR NUT - ZP2 6/15/18/24	2
51	N70249	O-RING, COVER (BUNA) - ZP2 6/15/18	1
	<i>E70249</i>	<i>O-RING, COVER (EPDM) - ZP2 6/15/18</i>	<i>1</i>
	<i>V70249</i>	<i>O-RING, COVER (VITON) - ZP2 6/15/18</i>	<i>1</i>
52	P2CVR101842	COVER - ZP2 6/15/18/24	1
	<i>P2CVR107664</i>	<i>COVER, JACKETED - ZP2 6/15/18/24</i>	<i>1</i>
53	P1SX108369	COVER HEX NUT - ZP1 & ZP2 6/15/18/24	8
	<i>P1GX105850</i>	<i>WING NUT - ZP1 & ZP2 6/15/18</i>	<i>8</i>
55	P1SX020SPATE	BEARING RETAINER SPLASH PLATE - ZP1 & ZP2 6/15/18	2
900	P1GXAD0096001	PICK,COMBO,O-RING ZP1 ZP2	1
901	P1GX000140003	OIL,460FG,MAGNAPLT,1GAL ZP	1
902	P1GX000140002	GREASE,HALO GUARD,14OZ TUBE ZP	1
903	P1GXRTVSEAL	SILICONE,DOW,732,30Z ZP1 ZP2	1



Single Mechanical Seal

Optional Items Shown in ITALICS

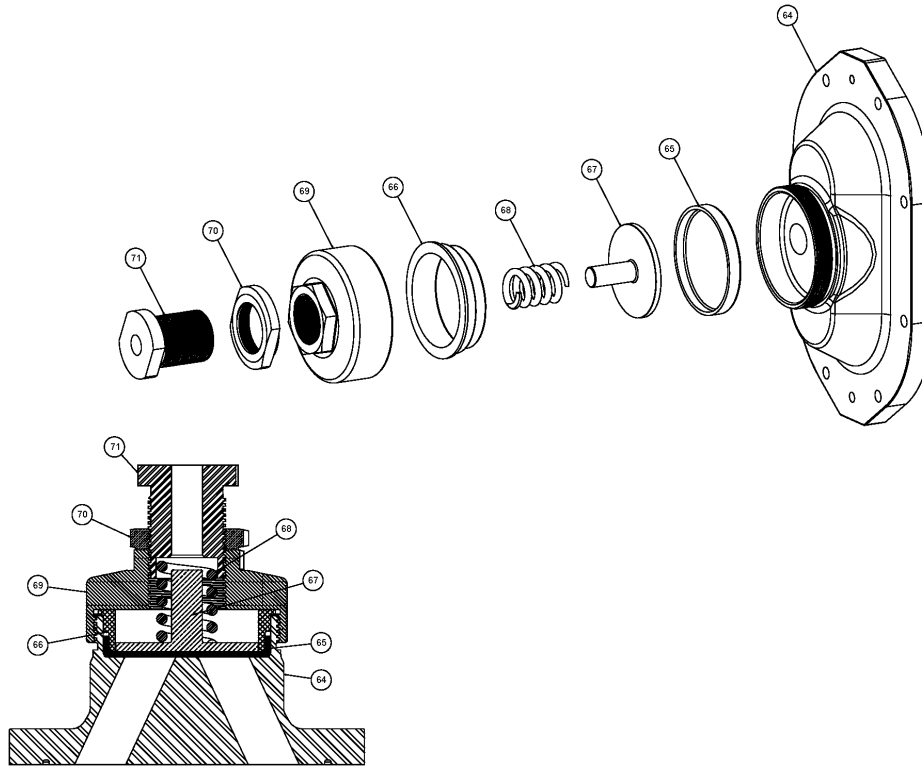
Ref #	Component Item No.	Description	Qty Per
45	N70028	O-RING, INNER SEAL (BUNA) - ZP2 6/15/18	2
	<i>E70028</i>	<i>O-RING, INNER SEAL (EPDM) - ZP2 6/15/18</i>	2
	<i>V70028</i>	<i>O-RING, INNER SEAL (VITON) - ZP2 6/15/18</i>	2
56	P2GS101683	INNER SEAL WAVE SPRING - ZP2 6/15/18	2
57	P2GS101652	INNER SEAL (K) - ZP2 6/15/18/24	2
	<i>P2GS101653</i>	<i>INNER SEAL (C) - ZP2 6/15/18/24</i>	2
	<i>P2GS101651</i>	<i>INNER SEAL (N) - ZP2 6/15/18/24</i>	2
58	N70024	O-RING, SHAFT (BUNA) - ZP2 6/15/18	2
	<i>E70024</i>	<i>O-RING, SHAFT (EPDM) - ZP2 6/15/18</i>	2
	<i>V70024</i>	<i>O-RING, SHAFT (VITON) - ZP2 6/15/18</i>	2
59	P2GS101668	SEAL SEAT (C) ZP2 6/15/18/24	2
	<i>P2GS101667</i>	<i>SEAL SEAT (K) ZP2 6/15/18/24</i>	2
63	N70121	O-RING, ROTOR HUB (BUNA) - ZP2 6/15/18	2
	<i>E70121</i>	<i>O-RING, ROTOR HUB (EPDM) - ZP2 6/15/18</i>	2
	<i>V70121</i>	<i>O-RING, ROTOR HUB (VITON) - ZP2 6/15/18</i>	2



Double Mechanical Seal

Optional Items Shown in ITALICS

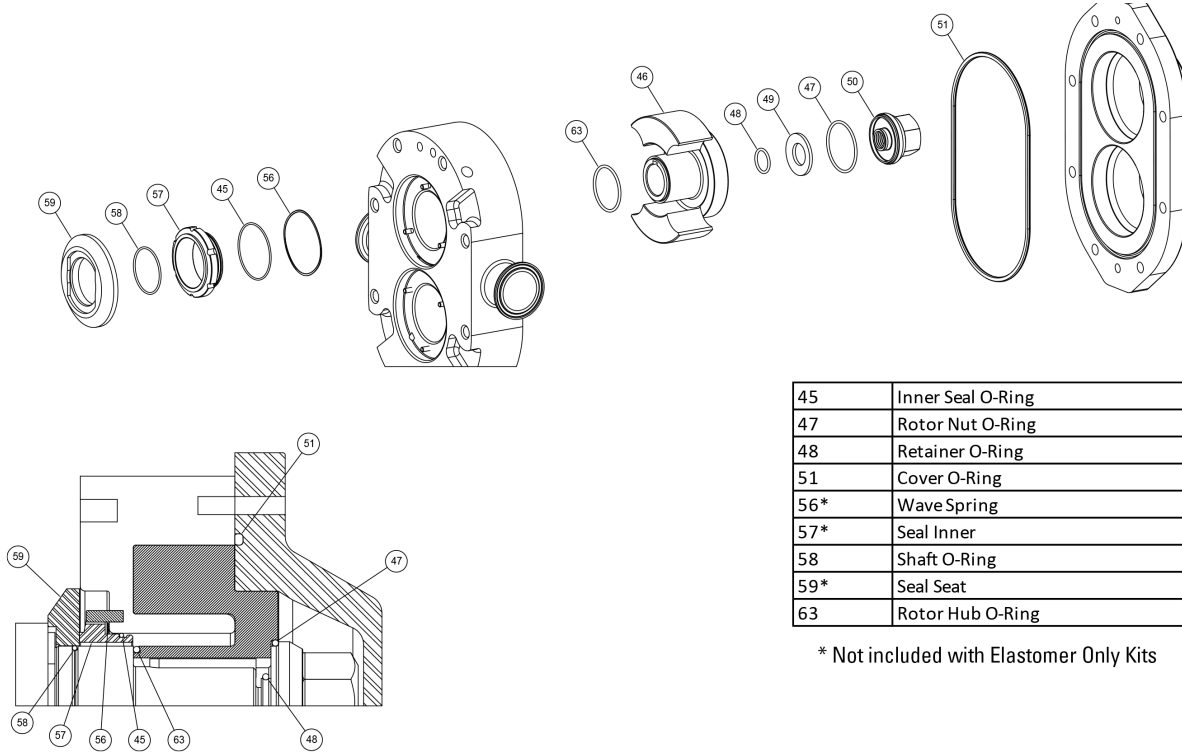
Ref #	Component Item No.	Description	Qty Per
45	N70028	O-RING, INNER SEAL (BUNA) - ZP2 6/15/18	2
	<i>E70028</i>	<i>O-RING, INNER SEAL (EPDM) - ZP2 6/15/18</i>	2
	<i>V70028</i>	<i>O-RING, INNER SEAL (VITON) - ZP2 6/15/18</i>	2
56	P2GS101683	INNER SEAL WAVE SPRING - ZP2 6/15/18	2
57	P2GS101652	INNER SEAL (K) - ZP2 6/15/18/24	2
	<i>P2GS101653</i>	<i>INNER SEAL (C) - ZP2 6/15/18/24</i>	2
	<i>P2GS101651</i>	<i>INNER SEAL (N) - ZP2 6/15/18/24</i>	2
58	N70024	O-RING, SHAFT (BUNA) - ZP2 6/15/18	2
	<i>E70024</i>	<i>O-RING, SHAFT (EPDM) - ZP2 6/15/18</i>	2
	<i>V70024</i>	<i>O-RING, SHAFT (VITON) - ZP2 6/15/18</i>	2
59	P2GS101668	SEAL SEAT (C) ZP2 6/15/18/24	2
	<i>P2GS101667</i>	<i>SEAL SEAT (K) ZP2 6/15/18/24</i>	2
60	P2GS101684	OUTER SEAL WAVE SPRING - ZP2 6/15/18	2
61	N70035	O-RING, OUTER SEAL (BUNA) - ZP2 6/15/18	2
	<i>E70035</i>	<i>O-RING, OUTER SEAL (EPDM) - ZP2 6/15/18</i>	2
	<i>V70035</i>	<i>O-RING, OUTER SEAL (VITON) - ZP2 6/15/18</i>	2
62	P2GS101679	OUTER SEAL (N) - ZP2 6/15/18	2
63	N70121	O-RING, ROTOR HUB (BUNA) - ZP2 6/15/18	2
	<i>E70121</i>	<i>O-RING, ROTOR HUB (EPDM) - ZP2 6/15/18</i>	2
	<i>V70121</i>	<i>O-RING, ROTOR HUB (VITON) - ZP2 6/15/18</i>	2



Pressure Relief Cover

Optional Items Shown in ITALICS

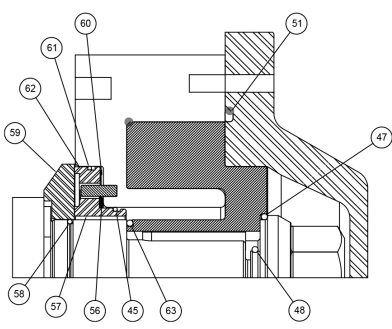
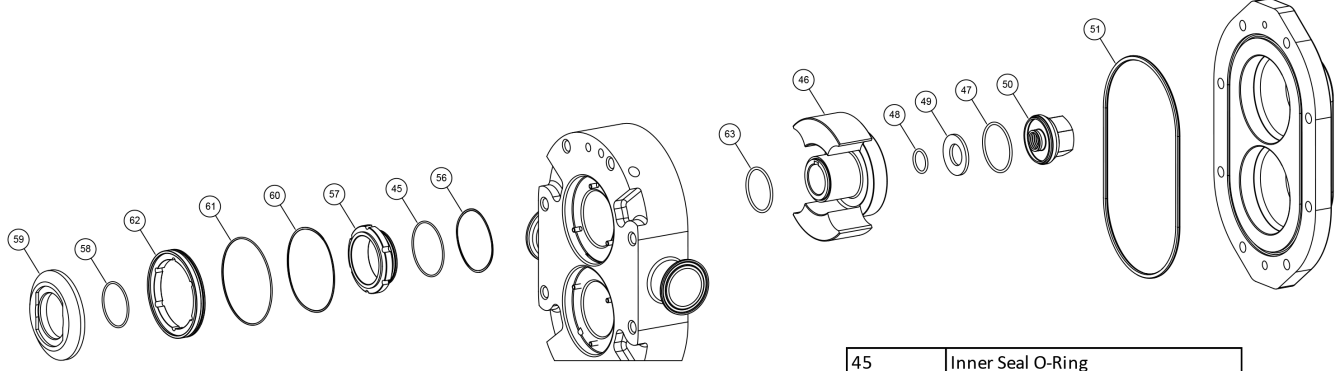
Ref #	Component Item No.	Description	Qty Per
64	P2CVR103669	VENTED FRONT COVER, ZP2 - 6/15/18	1
65	P1GXAD0078000	RUBBER DIAPHRAGM, BUNA, ZP1 & ZP2 & ZP3 - 6/15/18/30/34/40	1
	<i>P1GXAD0078EP0</i>	<i>RUBBER DIAPHRAGM, EPDM, ZP1 & ZP2 & ZP3 - 6/15/18/30/34/40</i>	1
	<i>P1GXAD0078V00</i>	<i>RUBBER DIAPHRAGM, VITON, ZP1 & ZP2 & ZP3 - 6/15/18/30/34/40</i>	1
66	P1SXAD0077000	DIAPHRAGM BUSHING, ZP1 & ZP2 & ZP3 - 6/15/18/30/34/40	1
67	P1SXAD0073000	SPRING PLUNGER, ZP1 & ZP2 & ZP3 - 6/15/18/30/34/40	1
68	P1SXAD0076000	SPRING, MEDIUM, (LESS THAN 150 PSI), ZP1 & ZP2 & ZP3 - 6/15/18/30/34/40	1
	<i>P1SXABB076100</i>	<i>SPRING, HIGH, (MORE THAN 150 PSI), ZP1 & ZP2 & ZP3 - 6/15/18/30/34/40</i>	1
69	P1SXAD0075000	COVER NUT, ZP1 & ZP2 & ZP3 - 6/15/18/30/34/40	1
70	P1SXAD0074000	LOCKNUT, ZP1 & ZP2 & ZP3 - 6/15/18/30/34/40	1
71	P1SXAD0072000	ADJUSTING SCREW, ZP1 & ZP2 & ZP3 - 6/15/18/30/34/40	1



Single Mechanical Seal Kit

Optional Items Shown in ITALICS

Ref #	Component Item No.	Description	Qty Per	
1	P2GX015000-N	SEAL KIT, SGL MECH, ELASTOMERS ONLY, BUNA - ZP2 6/15/18	1	
	<i>P2GX015000-E</i>	<i>SEAL KIT, SGL MECH, ELASTOMERS ONLY, EPDM - ZP2 6/15/18</i>	<i>1</i>	
	<i>P2GX015000-V</i>	<i>SEAL KIT, SGL MECH, ELASTOMERS ONLY, VITON - ZP2 6/15/18</i>	<i>1</i>	
2	P2GS015000-N	SEAL KIT, SGL MECH, SC/CA, BUNA - ZP2 6/15/18	1	
	<i>P2GS015000-E</i>	<i>SEAL KIT, SGL MECH, SC/CA, EPDM - ZP2 6/15/18</i>	<i>1</i>	
	<i>P2GS015000-V</i>	<i>SEAL KIT, SGL MECH, SC/CA, VITON - ZP2 6/15/18</i>	<i>1</i>	
3	P2GS015020-N	SEAL KIT, SGL MECH, CE/CA, BUNA - ZP2 6/15/18	1	
	<i>P2GS015020-E</i>	<i>SEAL KIT, SGL MECH, CE/CA, EPDM - ZP2 6/15/18</i>	<i>1</i>	
	<i>P2GS015020-V</i>	<i>SEAL KIT, SGL MECH, CE/CA, VITON - ZP2 6/15/18</i>	<i>1</i>	
4	<i>P2GS015030-V</i>	<i>SEAL KIT, SGL MECH, CE/CE, VITON - ZP2 6/15/18</i>	<i>1</i>	
	5	P2GS015010-N	SEAL KIT, SGL MECH, SC/SC, BUNA - ZP2 6/15/18	1
		<i>P2GS015010-E</i>	<i>SEAL KIT, SGL MECH, SC/SC, EPDM - ZP2 6/15/18</i>	<i>1</i>
<i>P2GS015010-V</i>		<i>SEAL KIT, SGL MECH, SC/SC, VITON - ZP2 6/15/18</i>	<i>1</i>	
49	P2GX101691	BELLEVILLE WASHER, SS - ZP2 6/15/18/24	2	
50	P2SX101804	ROTOR NUT - ZP2 6/15/18/24	2	



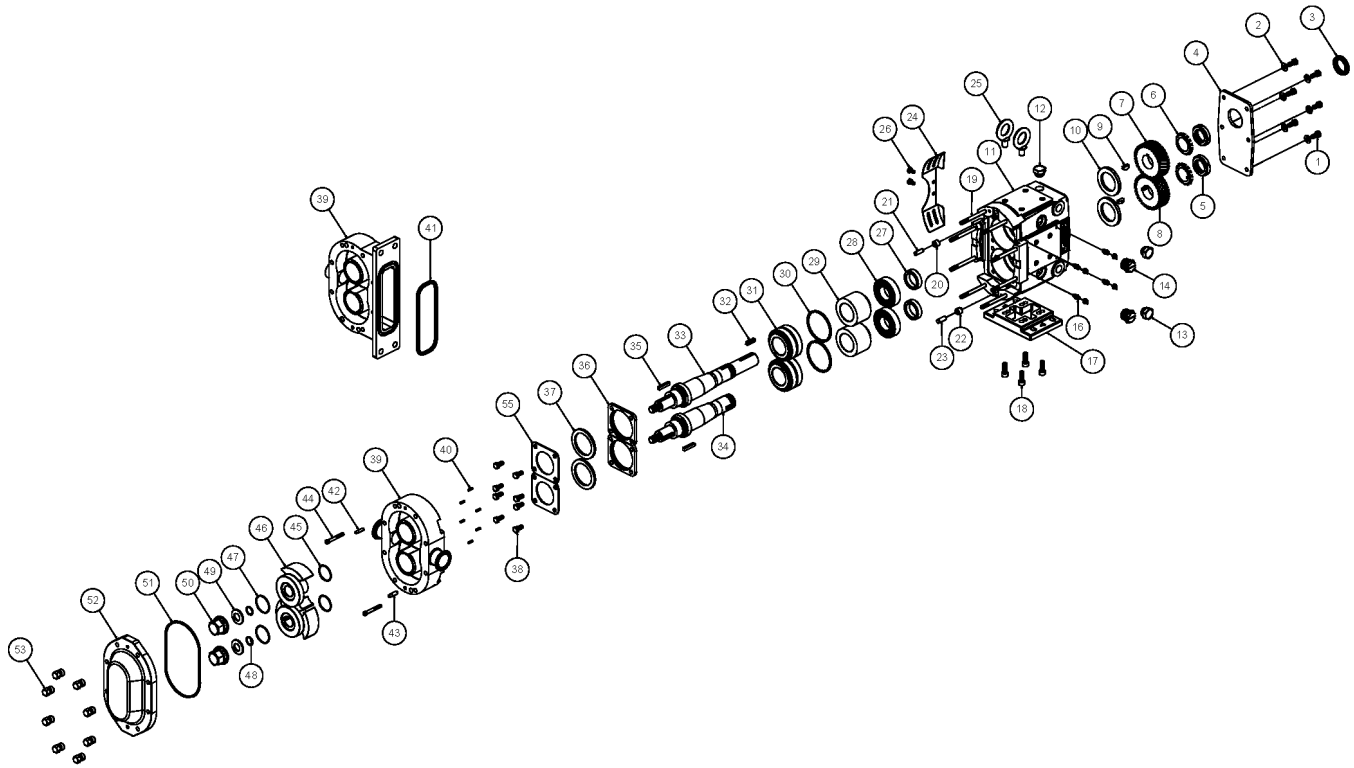
45	Inner Seal O-Ring
47	Rotor Nut O-Ring
48	Retainer O-Ring
51	Cover O-Ring
58	Shaft O-Ring
60*	Outer Seal Wave Spring
61	Outer Seal O-Ring
62*	Outer Seal
63	Rotor Hub O-Ring
56*	Wave Spring
57*	Seal Inner
59*	Seal Seat

* Not included with Elastomer Only Kits

Double Mechanical Seal Kit

Optional Items Shown in ITALICS

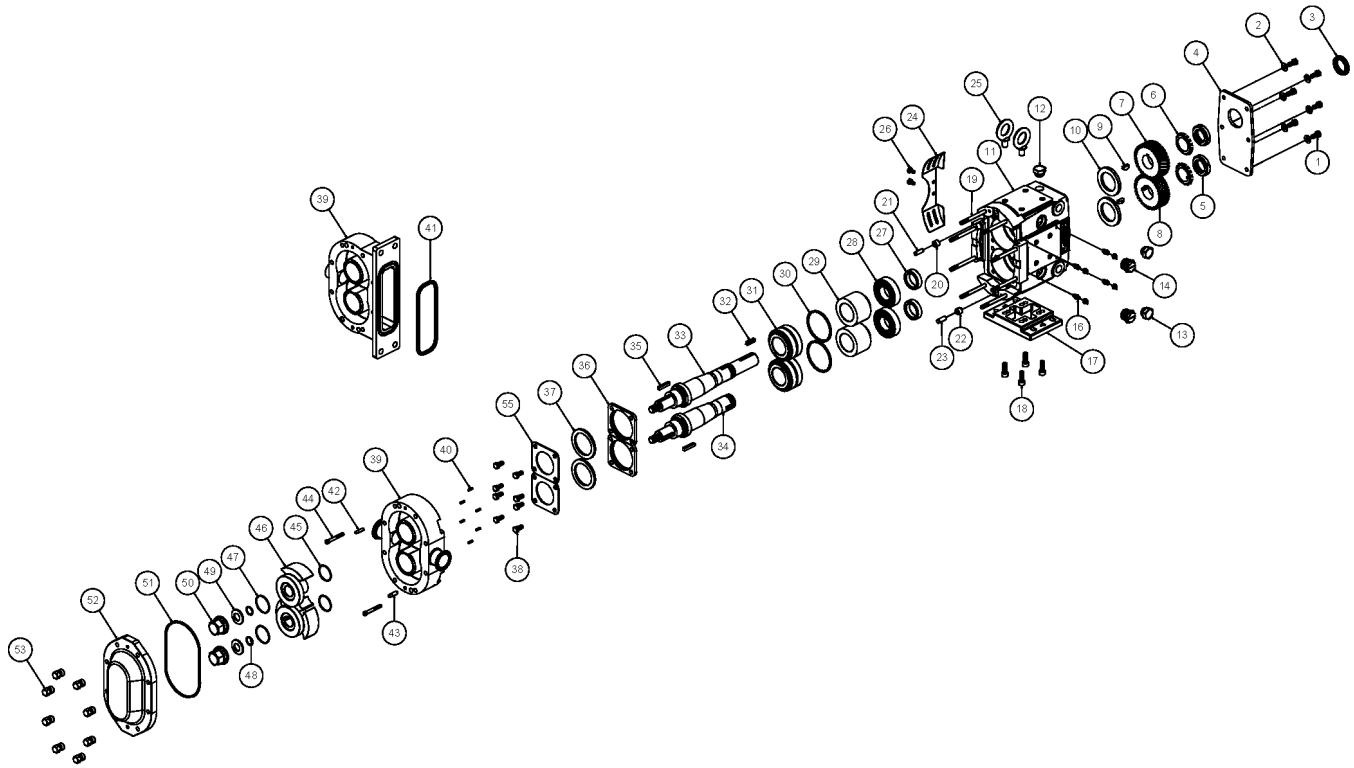
Ref #	Component Item No.	Description	Qty Per
1	P2GX015200-N	SEAL KIT, DBL MECH, ELASTOMERS ONLY, BUNA - ZP2 6/15/18	1
	<i>P2GX015200-E</i>	<i>SEAL KIT, DBL MECH, ELASTOMERS ONLY, EPDM - ZP2 6/15/18</i>	<i>1</i>
	<i>P2GX015200-V</i>	<i>SEAL KIT, DBL MECH, ELASTOMERS ONLY, VITON - ZP2 6/15/18</i>	<i>1</i>
2	P2GS015200-N	SEAL KIT, DBL MECH, SC/CA/CA, BUNA - ZP2 6/15/18	1
	<i>P2GS015200-E</i>	<i>SEAL KIT, DBL MECH, SC/CA/CA, EPDM - ZP2 6/15/18</i>	<i>1</i>
	<i>P2GS015200-V</i>	<i>SEAL KIT, DBL MECH, SC/CA/CA, VITON - ZP2 6/15/18</i>	<i>1</i>
3	P2GS015220-N	SEAL KIT, DBL MECH, CE/CA/CA, BUNA - ZP2 6/15/18	1
	<i>P2GS015220-E</i>	<i>SEAL KIT, DBL MECH, CE/CA/CA, EPDM - ZP2 6/15/18</i>	<i>1</i>
	<i>P2GS015220-V</i>	<i>SEAL KIT, DBL MECH, CE/CA/CA, VITON - ZP2 6/15/18</i>	<i>1</i>
5	P2GS015210-N	SEAL KIT, DBL MECH, SC/SC/CA, BUNA - ZP2 6/15/18	1
	<i>P2GS015210-E</i>	<i>SEAL KIT, DBL MECH, SC/SC/CA, EPDM - ZP2 6/15/18</i>	<i>1</i>
	<i>P2GS015210-V</i>	<i>SEAL KIT, DBL MECH, SC/SC/CA, VITON - ZP2 6/15/18</i>	<i>1</i>
49	P2GX101691	BELLEVILLE WASHER, SS - ZP2 6/15/18/24	2
50	P2SX101804	ROTOR NUT - ZP2 6/15/18/24	2



Exploded View

Optional Items Shown in ITALICS

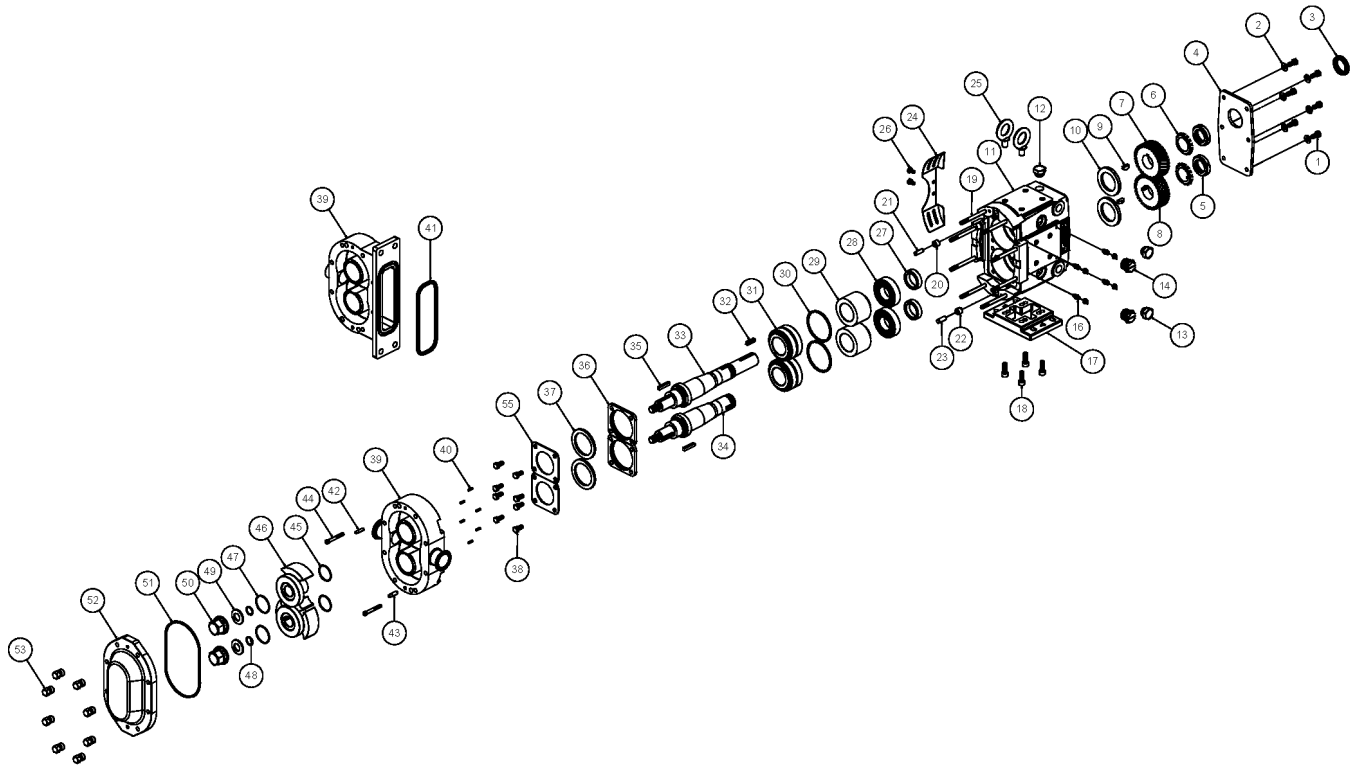
Ref #	Component Item No.	Description	Qty Per
1	P1GX30-58	1/4-20 X 3/4" HHCS, G.CASE COVER, SS - ZP1 & ZP2 6/15/18/30/	6
2	P1GX43-108	FLAT WASHER, G CASE COVER, 1/4 X 5/8 OD, SS - ZP1 & ZP2 6/15	6
3	P1GX000030013-ND	OIL SEAL, PTFE, GEAR CASE COVER - ZP1 & ZP2 30/34	1
	<i>P1GX000030013</i>	<i>OIL SEAL, GEAR CASE COVER - ZP1 & ZP2 30/34</i>	1
4	P1SX040106000	GEAR CASE COVER, SS - ZP1 & ZP2 30/34	1
5	P1GXCD0036N00	GEAR LOCKNUT ZP1 & ZP2 30/34	2
6	P1GXCD0036W00	GEAR LOCKWASHER ZP2 30/34	2
7	P1GX030007001	GEAR DRIVE SHAFT ZP1 & ZP2 30/34	1
8	P1GX030007002	GEAR SHORT SHAFT ZP1 & ZP2 30/34	1
9	P1GXBD0037000	GEAR KEY - ZP1 & ZP2 30/34	2
10	P1GX000030014	OIL SEAL, REAR - ZP1 & ZP2 30/34	2
11	P1SX040005000	GEAR CASE, SS - ZP1 & ZP2 30/34	1
12	P1GX115798	PLUG,HEX,20M X1.5,W/NBR SEAL	5
13	P1GX115799	GAUGE,OIL,LVL,INDIC,M-20X1.5	1
14	P1GX70PLUG-SS	CLEAN OUT PLUG, SS - ZP1 & ZP2 30/34	4
	<i>P1GX70PLUG</i>	<i>CLEAN OUT PLUG, YELLOW - ZP1 & ZP2 30/34</i>	4
16	P1GXBD0092001	GREASE FITTING, THREADED 1/4"-28 TAPER, SS	8
17	P1SX040110000	GEAR CASE BASE, SS - ZP1 & ZP2 30/34	1
18	P1GX30SHCSGCB	SHCS, G. CASE BASE, (18-8 SS) 3/8-16 X 1 - ZP1 & ZP2 30/34	4
19	P1GX108842	STUD, ZP2 30	8
	<i>P1GX108845</i>	<i>STUD, JACKETED COVER, ZP2 30</i>	8
20	P1GXBD0116000	UPPER DOWEL BUSHING - ZP1 & ZP2 30/34	1
21	P1GX124582	DOWEL PIN - ZP1 & ZP2 45/60/64/130/134	1
22	P1GXBD0116100	LOWER DOWEL BUSHING - ZP1 & ZP2 30/34	1
23	P1GX124583	DOWEL PIN - ZP1 & ZP2 45/60/64/130/134	1
24	P1SX040CEGUARD	GUARD,30/34,(CE),GC,,SS	2
26	P1GX000CENAIL	DRIVENAIL,ZP,GEAR CASE GUARDS	4



Exploded View

Optional Items Shown in ITALICS

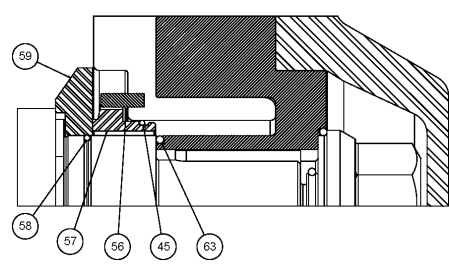
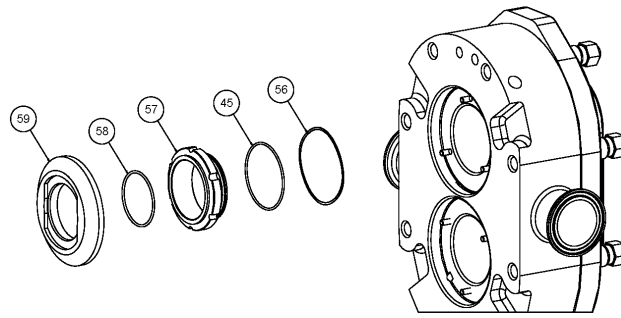
Ref #	Component Item No.	Description	Qty Per
27	P1GX030055000	GEAR TO REAR BEARING SPACER - ZP1 & ZP2 30/33/34	2
28	P1GX030035000	REAR BEARING - ZP1 & ZP2 30/33/34	2
29	P1GX101815	BEARING SPACER - ZP1 & ZP2 30/33/34	2
30	P1GX117890	SHIM KIT - ZP1 & ZP2 30/34	2
31	P1GX101715	FRONT BEARING - ZP1 & ZP2 30/33/34	2
32	P1GX000037002	DRIVE KEY, 1/4" SQ. X 1" - ZP1 & ZP2 30/34	1
33	P2SX108409	DRIVE SHAFT (17-4PH) - ZP2 30/34	1
34	P2SX108410	SHORT SHAFT (17-4PH) - ZP2 30/34	1
35	P2SX101821	ROTOR KEY - ZP2 30/34/40	2
36	P1SX120333	BEARING RETAINER, NEW STYLE - ZP1 & ZP2 30/34	2
37	P1GX121680-ND	GREASE SEAL, PTFE, FRONT BEARING RET. 3A - ZP1 & ZP2 30/34	2
	<i>P1GX121680</i>	<i>GREASE SEAL FRONT BEARING RET. 3A - ZP1 & ZP2 30/34</i>	2
38	P1GX30-283	5/16-18 X 3/4" HX HD CAP SCREW, SS -ZP1 & ZP2 30	8
39	P2BDY030001000	BODY - ZP2 30	1
	<i>P2BDY030001F00</i>	<i>BODY - ZP2 30 - FLUSHED</i>	1
40	P2GX101719	STOP PIN,SEAL - ZP2 30/34	6
42	P1GX124581	DOWEL PIN - ZP1 & ZP2 6/15/18/24	1
43	P1GX124582	DOWEL PIN - ZP1 & ZP2 45/60/64/130/134	1
44	P1GX30-211	CAPSCRW,SH,1/4-2 X2,18-8SS SCKT HD	2
45	N70031	O-RING, INNER SEAL (BUNA) - ZP2 30/34	2
	<i>E70031</i>	<i>O-RING, INNER SEAL (EPDM) - ZP2 30/34</i>	2
	<i>V70031</i>	<i>O-RING, INNER SEAL (VITON) - ZP2 30/34</i>	2
46	P2RTB030010000	ROTOR TWIN BLADE - ZP2 30/34 (STD) - ALLOY 88	2
	<i>P2RTB03001000H</i>	<i>ROTOR TWIN BLADE - ZP2 30/34 (STD) - ALLOY 88 - HOT CLEARANCE</i>	2
	<i>P2RTB0300100HC</i>	<i>ROTOR TWIN BLADE - ZP2 30/34 (STD) - ALLOY 88 - HOT CHOCOLATE</i>	2
	<i>P2RTB030010200</i>	<i>ROTOR TWIN BLADE - ZP2 30/34 (STD) - 316L</i>	2
47	N70130	O-RING, ROTOR NUT (BUNA) - ZP2 30/34	2



Exploded View

Optional Items Shown in ITALICS

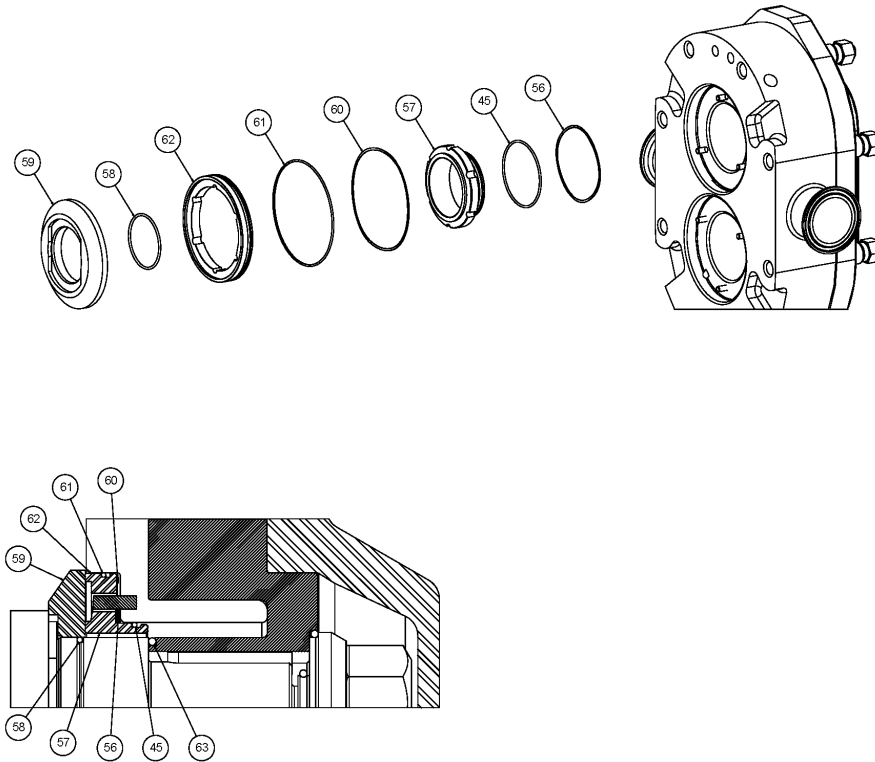
Ref #	Component Item No.	Description	Qty Per
47	<i>E70130</i>	<i>O-RING, ROTOR NUT (EPDM) - ZP2 30/34</i>	2
	<i>V70130</i>	<i>O-RING, ROTOR NUT (VITON) - ZP2 30/34</i>	2
48	N70115	O-RING, RETAINER (BUNA) - ZP2 30/34	2
	<i>E70115</i>	<i>O-RING, RETAINER (EPDM) - ZP2 30/34</i>	2
	<i>V70115</i>	<i>O-RING, RETAINER (VITON) - ZP2 30/34</i>	2
49	P2GX101692	BELLEVILLE WASHER, SS - ZP2 30/34	2
50	P2SX101805	ROTOR NUT - ZP2 30/34	2
51	N70259	O-RING, COVER (BUNA) - ZP2 30/34	1
	<i>E70259</i>	<i>O-RING, COVER (EPDM) - ZP2 30/34</i>	1
	<i>V70259</i>	<i>O-RING, COVER (VITON) - ZP2 30/34</i>	1
52	P2CVR101845	COVER - ZP2 30/34	1
	<i>P2CVR107666</i>	<i>COVER, JACKETED - ZP2 30/34</i>	1
53	P1SX108370	COVER HEX NUT - ZP1 & ZP2 30/34	8
55	P1SX040SPLATE	BEARING RETAINER SPLASH PLATE - ZP1 & ZP2 30/34	2
900	P1GXAD0096001	PICK,COMBO,O-RING ZP1 ZP2	1
901	P1GX000140003	OIL,460FG,MAGNAPLT,1GAL ZP	1
902	P1GX000140002	GREASE,HALO GUARD,14OZ TUBE ZP	1
903	P1GXRTVSEAL	SILICONE,DOW,732,30Z ZP1 ZP2	1



Single Mechanical Seal

Optional Items Shown in ITALICS

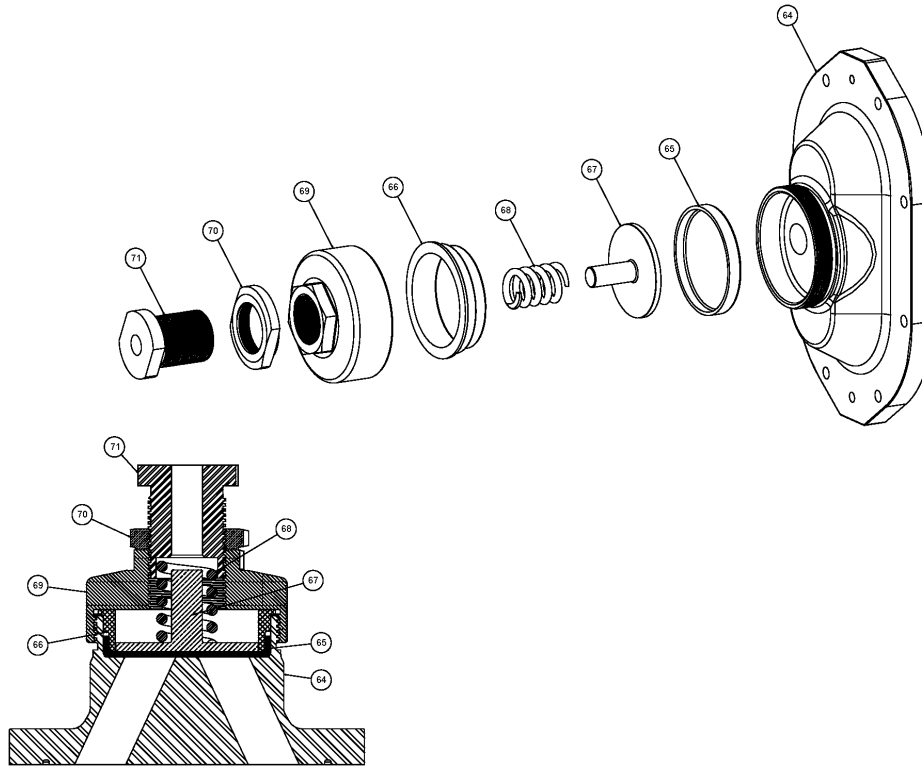
Ref #	Component Item No.	Description	Qty Per
45	N70031	O-RING, INNER SEAL (BUNA) - ZP2 30/34	2
	<i>E70031</i>	<i>O-RING, INNER SEAL (EPDM) - ZP2 30/34</i>	2
	<i>V70031</i>	<i>O-RING, INNER SEAL (VITON) - ZP2 30/34</i>	2
56	P2GS101685	INNER SEAL WAVE SPRING - ZP2 30/34	2
57	P2GS101656	INNER SEAL (K) - ZP2 30/34	2
	<i>P2GS101657</i>	<i>INNER SEAL (C) - ZP2 30/34</i>	2
	<i>P2GS101655</i>	<i>INNER SEAL (N) - ZP2 30/34</i>	2
58	N70029	O-RING, SHAFT (BUNA) - ZP2 30/34	2
	<i>E70029</i>	<i>O-RING, SHAFT (EPDM) - ZP2 30/34</i>	2
	<i>V70029</i>	<i>O-RING, SHAFT (VITON) - ZP2 30/34</i>	2
59	P2GS101671	SEAL SEAT (C) ZP2 30/34	2
	<i>P2GS101670</i>	<i>SEAL SEAT (K) ZP2 30/34</i>	2
63	N70127	O-RING, ROTOR HUB (BUNA) - ZP2 30/34	2
	<i>E70127</i>	<i>O-RING, ROTOR HUB (EPDM) - ZP2 30/34</i>	2
	<i>V70127</i>	<i>O-RING, ROTOR HUB (VITON) - ZP2 30/34</i>	2



Double Mechanical Seal

Optional Items Shown in ITALICS

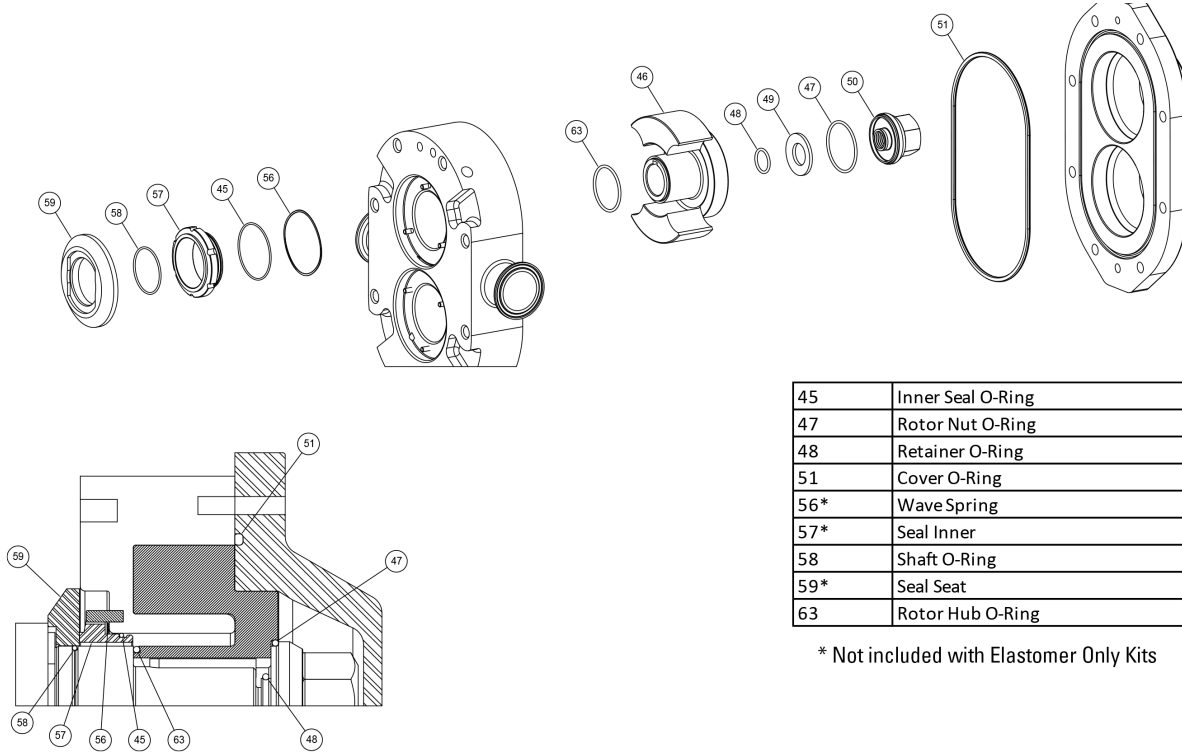
Ref #	Component Item No.	Description	Qty Per
45	N70031	O-RING, INNER SEAL (BUNA) - ZP2 30/34	2
	<i>E70031</i>	<i>O-RING, INNER SEAL (EPDM) - ZP2 30/34</i>	2
	<i>V70031</i>	<i>O-RING, INNER SEAL (VITON) - ZP2 30/34</i>	2
56	P2GS101685	INNER SEAL WAVE SPRING - ZP2 30/34	2
57	P2GS101656	INNER SEAL (K) - ZP2 30/34	2
	<i>P2GS101657</i>	<i>INNER SEAL (C) - ZP2 30/34</i>	2
	<i>P2GS101655</i>	<i>INNER SEAL (N) - ZP2 30/34</i>	2
58	N70029	O-RING, SHAFT (BUNA) - ZP2 30/34	2
	<i>E70029</i>	<i>O-RING, SHAFT (EPDM) - ZP2 30/34</i>	2
	<i>V70029</i>	<i>O-RING, SHAFT (VITON) - ZP2 30/34</i>	2
59	P2GS101671	SEAL SEAT (C) ZP2 30/34	2
	<i>P2GS101670</i>	<i>SEAL SEAT (K) ZP2 30/34</i>	2
60	P2GS101686	OUTER SEAL WAVE SPRING - ZP2 30/34	2
61	N70041	O-RING, OUTER SEAL (BUNA) - ZP2 30/34	2
	<i>E70041</i>	<i>O-RING, OUTER SEAL (EPDM) - ZP2 30/34</i>	2
	<i>V70041</i>	<i>O-RING, OUTER SEAL (VITON) - ZP2 30/34</i>	2
62	P2GS101680	OUTER SEAL (N) - ZP2 30/34	2
63	N70127	O-RING, ROTOR HUB (BUNA) - ZP2 30/34	2
	<i>E70127</i>	<i>O-RING, ROTOR HUB (EPDM) - ZP2 30/34</i>	2
	<i>V70127</i>	<i>O-RING, ROTOR HUB (VITON) - ZP2 30/34</i>	2



Pressure Relief Cover

Optional Items Shown in ITALICS

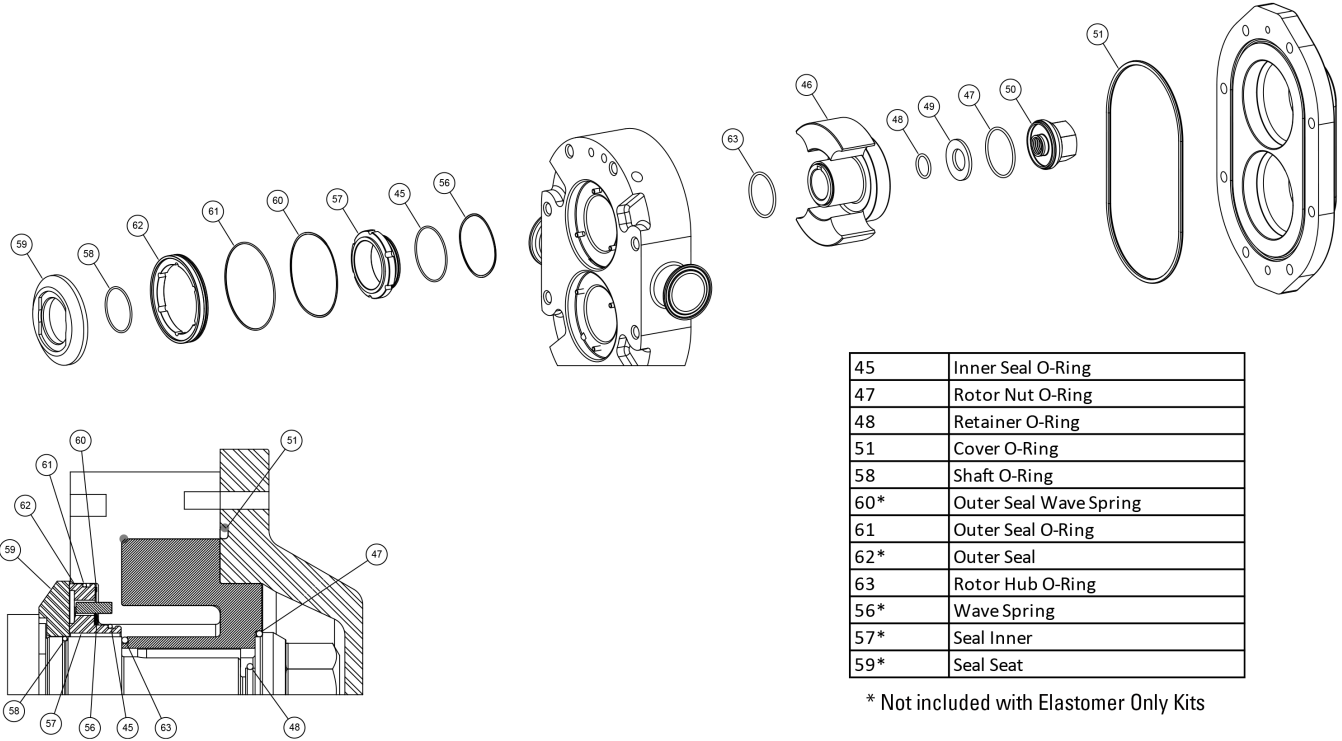
Ref #	Component Item No.	Description	Qty Per
64	P2CVR103670	VENTED FRONT COVER, ZP2 - 30/34/40	1
65	P1GXAD0078000	RUBBER DIAPHRAGM, BUNA, ZP1 & ZP2 & ZP3 - 6/15/18/30/34/40	1
	<i>P1GXAD0078EPO</i>	<i>RUBBER DIAPHRAGM, EPDM, ZP1 & ZP2 & ZP3 - 6/15/18/30/34/40</i>	1
	<i>P1GXAD0078V00</i>	<i>RUBBER DIAPHRAGM, VITON, ZP1 & ZP2 & ZP3 - 6/15/18/30/34/40</i>	1
66	P1SXAD0077000	DIAPHRAGM BUSHING, ZP1 & ZP2 & ZP3 - 6/15/18/30/34/40	1
67	P1SXAD0073000	SPRING PLUNGER, ZP1 & ZP2 & ZP3 - 6/15/18/30/34/40	1
68	P1SXAD0076000	SPRING, MEDIUM, (LESS THAN 150 PSI), ZP1 & ZP2 & ZP3 - 6/15/18/30/34/40	1
	<i>P1SXABB076100</i>	<i>SPRING, HIGH, (MORE THAN 150 PSI), ZP1 & ZP2 & ZP3 - 6/15/18/30/34/40</i>	1
69	P1SXAD0075000	COVER NUT, ZP1 & ZP2 & ZP3 - 6/15/18/30/34/40	1
70	P1SXAD0074000	LOCKNUT, ZP1 & ZP2 & ZP3 - 6/15/18/30/34/40	1
71	P1SXAD0072000	ADJUSTING SCREW, ZP1 & ZP2 & ZP3 - 6/15/18/30/34/40	1



Single Mechanical Seal Kit

Optional Items Shown in ITALICS

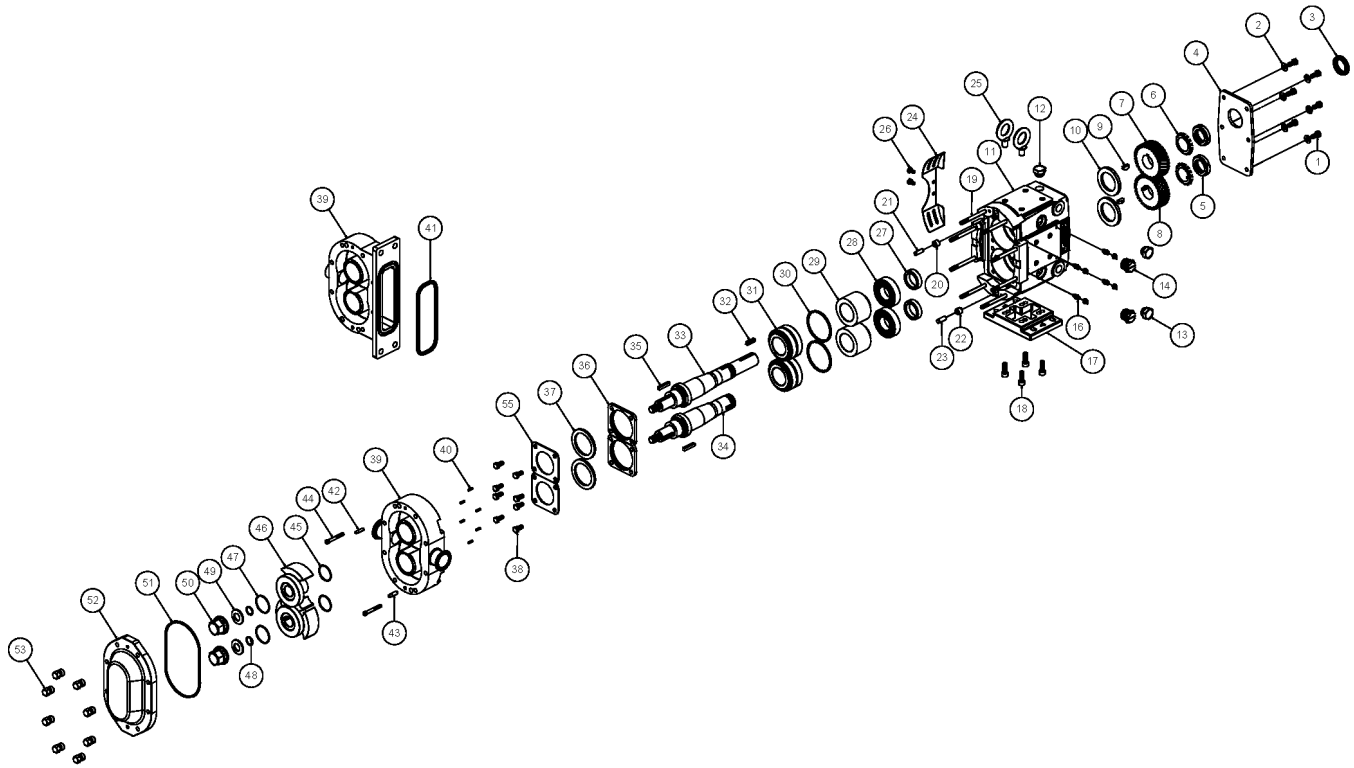
Ref #	Component Item No.	Description	Qty Per
1	P2GX030000-N	SEAL KIT, SGL MECH, ELASTOMERS ONLY, BUNA - ZP2 30/34/40	1
	<i>P2GX030000-E</i>	<i>SEAL KIT, SGL MECH, ELASTOMERS ONLY, EPDM - ZP2 30/34/40</i>	<i>1</i>
	<i>P2GX030000-V</i>	<i>SEAL KIT, SGL MECH, ELASTOMERS ONLY, VITON - ZP2 30/34/40</i>	<i>1</i>
2	P2GS030000-N	SEAL KIT, SGL MECH, SC/CA, BUNA - ZP2 30/34/40	1
	<i>P2GS030000-E</i>	<i>SEAL KIT, SGL MECH, SC/CA, EPDM - ZP2 30/34/40</i>	<i>1</i>
	<i>P2GS030000-V</i>	<i>SEAL KIT, SGL MECH, SC/CA, VITON - ZP2 30/34/40</i>	<i>1</i>
3	P2GS030020-N	SEAL KIT, SGL MECH, CE/CA, BUNA - ZP2 30/34/40	1
	<i>P2GS030020-E</i>	<i>SEAL KIT, SGL MECH, CE/CA, EPDM - ZP2 30/34/40</i>	<i>1</i>
	<i>P2GS030020-V</i>	<i>SEAL KIT, SGL MECH, CE/CA, VITON - ZP2 30/34/40</i>	<i>1</i>
4	<i>P2GS030030-V</i>	<i>SEAL KIT, SGL MECH, CE/CE, VITON - ZP2 30/34/40</i>	<i>1</i>
5	P2GS030010-N	SEAL KIT, SGL MECH, SC/SC, BUNA - ZP2 30/34/40	1
	<i>P2GS030010-E</i>	<i>SEAL KIT, SGL MECH, SC/SC, EPDM - ZP2 30/34/40</i>	<i>1</i>
	<i>P2GS030010-V</i>	<i>SEAL KIT, SGL MECH, SC/SC, VITON - ZP2 30/34/40</i>	<i>1</i>
49	P2GX101692	BELLEVILLE WASHER, SS - ZP2 30/34	2
50	P2SX101805	ROTOR NUT - ZP2 30/34	2



Double Mechanical Seal Kit

Optional Items Shown in ITALICS

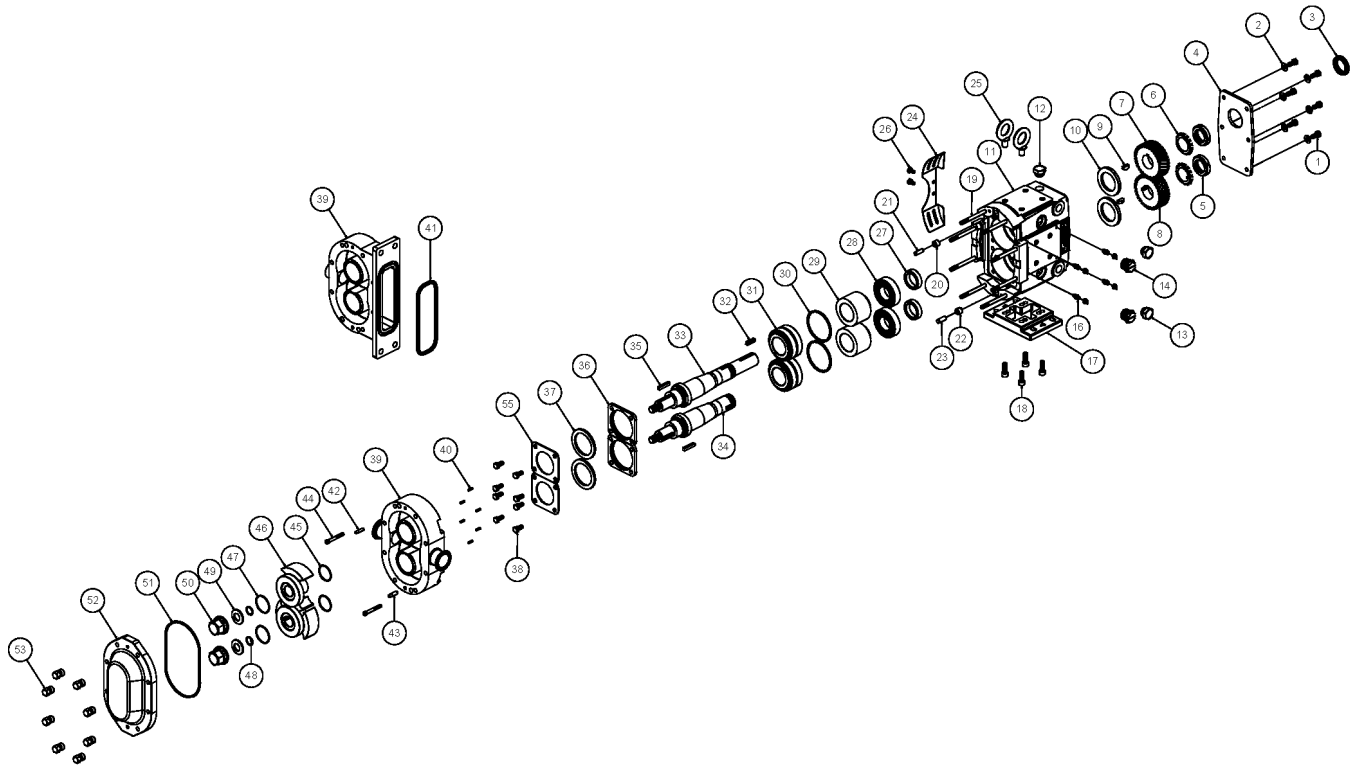
Ref #	Component Item No.	Description	Qty Per
1	P2GX030200-N	SEAL KIT, DBL MECH, ELASTOMERS ONLY, BUNA - ZP2 30/34/40	1
	<i>P2GX030200-E</i>	<i>SEAL KIT, DBL MECH, ELASTOMERS ONLY, EPDM - ZP2 30/34/40</i>	<i>1</i>
	<i>P2GX030200-V</i>	<i>SEAL KIT, DBL MECH, ELASTOMERS ONLY, VITON - ZP2 30/34/40</i>	<i>1</i>
2	P2GS030200-N	SEAL KIT, DBL MECH, SC/CA/CA, BUNA - ZP2 30/34/40	1
	<i>P2GS030200-E</i>	<i>SEAL KIT, DBL MECH, SC/CA/CA, EPDM - ZP2 30/34/40</i>	<i>1</i>
	<i>P2GS030200-V</i>	<i>SEAL KIT, DBL MECH, SC/CA/CA, VITON - ZP2 30/34/40</i>	<i>1</i>
3	P2GS030220-N	SEAL KIT, DBL MECH, CE/CA/CA, BUNA - ZP2 30/34/40	1
	<i>P2GS030220-E</i>	<i>SEAL KIT, DBL MECH, CE/CA/CA, EPDM - ZP2 30/34/40</i>	<i>1</i>
	<i>P2GS030220-V</i>	<i>SEAL KIT, DBL MECH, CE/CA/CA, VITON - ZP2 30/34/40</i>	<i>1</i>
4	P2GS030230-N	SEAL KIT, DBL MECH, CE/CE/CA, BUNA - ZP2 30/34/40	1
5	P2GS030210-N	SEAL KIT, DBL MECH, SC/SC/CA, BUNA - ZP2 30/34/40	1
	<i>P2GS030210-E</i>	<i>SEAL KIT, DBL MECH, SC/SC/CA, EPDM - ZP2 30/34/40</i>	<i>1</i>
	<i>P2GS030210-V</i>	<i>SEAL KIT, DBL MECH, SC/SC/CA, VITON - ZP2 30/34/40</i>	<i>1</i>
49	P2GX101692	BELLEVILLE WASHER, SS - ZP2 30/34	2
50	P2SX101805	ROTOR NUT - ZP2 30/34	2



Exploded View

Optional Items Shown in ITALICS

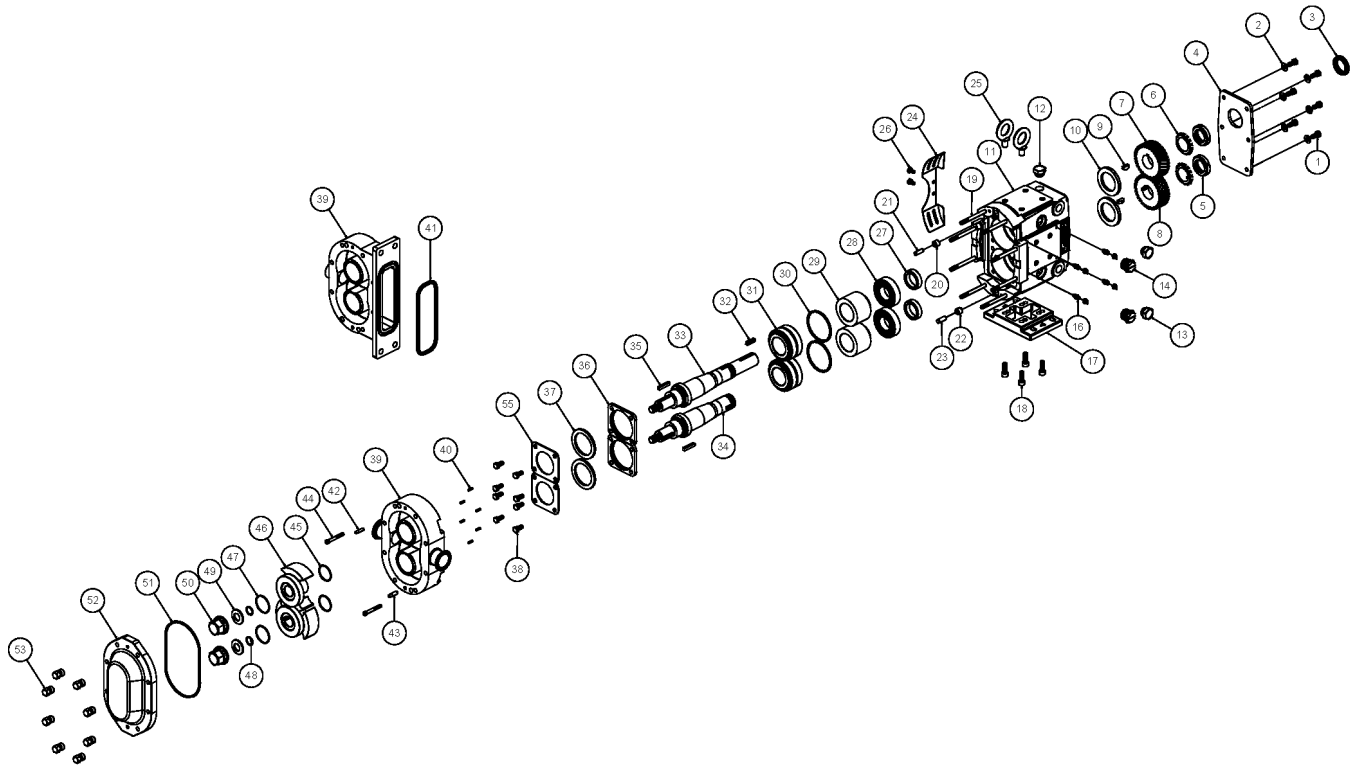
Ref #	Component Item No.	Description	Qty Per
1	P1GX30-58	1/4-20 X 3/4" HHCS, G.CASE COVER, SS - ZP1 & ZP2 6/15/18/30/	6
2	P1GX43-108	FLAT WASHER, G CASE COVER, 1/4 X 5/8 OD, SS - ZP1 & ZP2 6/15	6
3	P1GX000030013-ND	OIL SEAL, PTFE, GEAR CASE COVER - ZP1 & ZP2 30/34	1
	<i>P1GX000030013</i>	<i>OIL SEAL, GEAR CASE COVER - ZP1 & ZP2 30/34</i>	1
4	P1SX040106000	GEAR CASE COVER, SS - ZP1 & ZP2 30/34	1
5	P1GXCD0036N00	GEAR LOCKNUT ZP1 & ZP2 30/34	2
6	P1GXCD0036W00	GEAR LOCKWASHER ZP2 30/34	2
7	P1GX030007001	GEAR DRIVE SHAFT ZP1 & ZP2 30/34	1
8	P1GX030007002	GEAR SHORT SHAFT ZP1 & ZP2 30/34	1
9	P1GXBD0037000	GEAR KEY - ZP1 & ZP2 30/34	2
10	P1GX000030014	OIL SEAL, REAR - ZP1 & ZP2 30/34	2
11	P1SX040005000	GEAR CASE, SS - ZP1 & ZP2 30/34	1
12	P1GX115798	PLUG,HEX,20M X1.5,W/NBR SEAL	5
13	P1GX115799	GAUGE,OIL,LVL,INDIC,M-20X1.5	1
14	P1GX70PLUG-SS	CLEAN OUT PLUG, SS - ZP1 & ZP2 30/34	4
	<i>P1GX70PLUG</i>	<i>CLEAN OUT PLUG, YELLOW - ZP1 & ZP2 30/34</i>	4
16	P1GXBD0092001	GREASE FITTING, THREADED 1/4"-28 TAPER, SS	8
17	P1SX040110000	GEAR CASE BASE, SS - ZP1 & ZP2 30/34	1
18	P1GX30SHCSGCB	SHCS, G. CASE BASE, (18-8 SS) 3/8-16 X 1 - ZP1 & ZP2 30/34	4
19	P1GX108842	STUD, ZP2 30	6
	P1GX35555	STUD, SHORT, ZP2 34	2
	<i>P1GX108845</i>	<i>STUD, JACKETED COVER, ZP2 30</i>	6
	<i>P1GX35549</i>	<i>STUD, SHORT, JACKETED COVER, ZP2 34</i>	2
20	P1GXBD0116000	UPPER DOWEL BUSHING - ZP1 & ZP2 30/34	1
21	P1GX124582	DOWEL PIN - ZP1 & ZP2 45/60/64/130/134	1
22	P1GXBD0116100	LOWER DOWEL BUSHING - ZP1 & ZP2 30/34	1
23	P1GX124583	DOWEL PIN - ZP1 & ZP2 45/60/64/130/134	1



Exploded View

Optional Items Shown in ITALICS

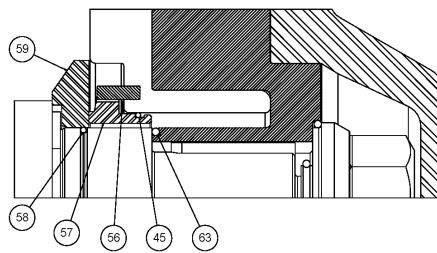
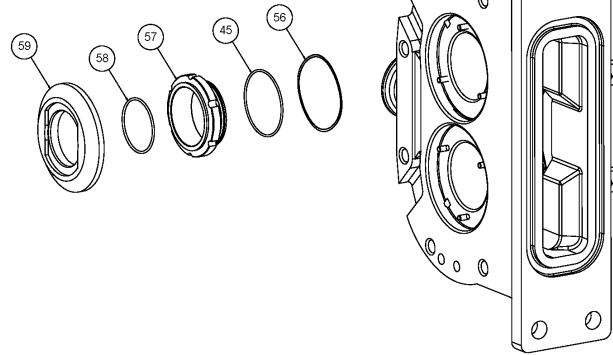
Ref #	Component Item No.	Description	Qty Per
24	P1SX040CEGUARD	GUARD,30/34,(CE),GC,,SS	2
26	P1GX000CENAIL	DRIVENAIL,ZP,GEAR CASE GUARDS	4
27	P1GX030055000	GEAR TO REAR BEARING SPACER - ZP1 & ZP2 30/33/34	2
28	P1GX030035000	REAR BEARING - ZP1 & ZP2 30/33/34	2
29	P1GX101815	BEARING SPACER - ZP1 & ZP2 30/33/34	2
30	P1GX117890	SHIM KIT - ZP1 & ZP2 30/34	2
31	P1GX101715	FRONT BEARING - ZP1 & ZP2 30/33/34	2
32	P1GX000037002	DRIVE KEY, 1/4" SQ. X 1" - ZP1 & ZP2 30/34	1
33	P2SX108409	DRIVE SHAFT (17-4PH) - ZP2 30/34	1
34	P2SX108410	SHORT SHAFT (17-4PH) - ZP2 30/34	1
35	P2SX101821	ROTOR KEY - ZP2 30/34/40	2
36	P1SX120333	BEARING RETAINER, NEW STYLE - ZP1 & ZP2 30/34	2
37	P1GX121680-ND	GREASE SEAL, PTFE, FRONT BEARING RET. 3A - ZP1 & ZP2 30/34	2
	<i>P1GX121680</i>	<i>GREASE SEAL FRONT BEARING RET. 3A - ZP1 & ZP2 30/34</i>	2
38	P1GX30-283	5/16-18 X 3/4" HX HD CAP SCREW, SS -ZP1 & ZP2 30	8
39	P2BDY034001000	BODY - ZP2 34	1
	<i>P2BDY034001F00</i>	<i>BODY - ZP2 34 - FLUSHED</i>	1
40	P2GX101719	STOP PIN,SEAL - ZP2 30/34	6
42	P1GX124581	DOWEL PIN - ZP1 & ZP2 6/15/18/24	1
43	P1GX124582	DOWEL PIN - ZP1 & ZP2 45/60/64/130/134	1
44	P1GX30-211	CAPSCRW,SH,1/4-2 X2,18-8SS SCKT HD	2
45	N70031	O-RING, INNER SEAL (BUNA) - ZP2 30/34	2
	<i>E70031</i>	<i>O-RING, INNER SEAL (EPDM) - ZP2 30/34</i>	2
	<i>V70031</i>	<i>O-RING, INNER SEAL (VITON) - ZP2 30/34</i>	2
46	P2RTB030010000	ROTOR TWIN BLADE - ZP2 30/34 (STD) - ALLOY 88	2
	<i>P2RTB03001000H</i>	<i>ROTOR TWIN BLADE - ZP2 30/34 (STD) - ALLOY 88 - HOT CLEARANCE</i>	2
	<i>P2RTB0300100HC</i>	<i>ROTOR TWIN BLADE - ZP2 30/34 (STD) - ALLOY 88 - HOT CHOCOLATE</i>	2



Exploded View

Optional Items Shown in ITALICS

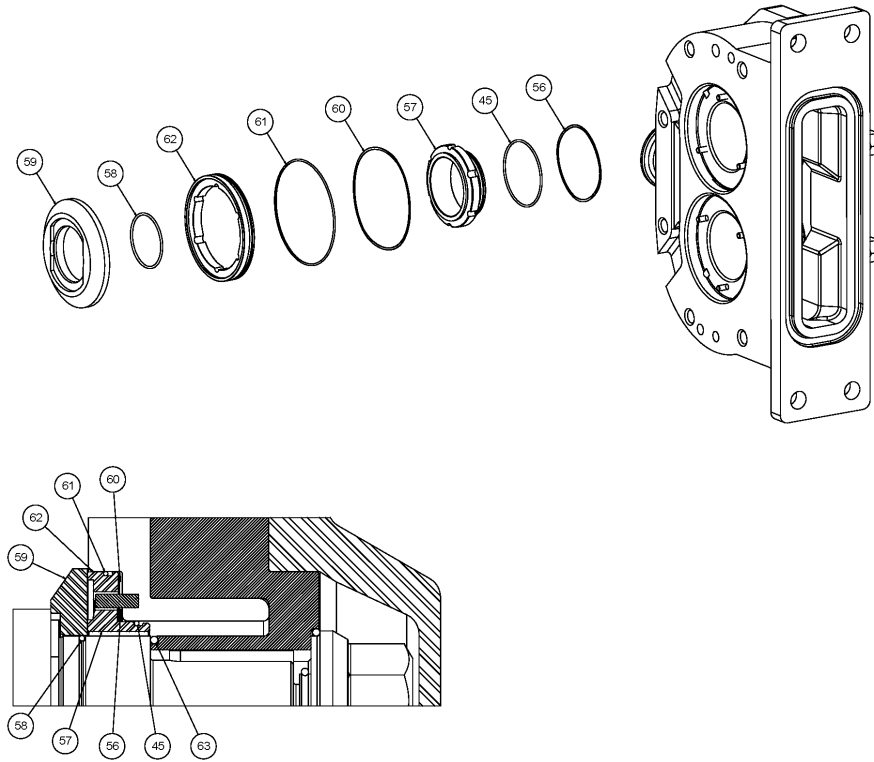
Ref #	Component Item No.	Description	Qty Per
46	<i>P2RTB030010200</i>	<i>ROTOR TWIN BLADE - ZP2 30/34 (STD) - 316L</i>	2
47	N70130	O-RING, ROTOR NUT (BUNA) - ZP2 30/34	2
	<i>E70130</i>	<i>O-RING, ROTOR NUT (EPDM) - ZP2 30/34</i>	2
	<i>V70130</i>	<i>O-RING, ROTOR NUT (VITON) - ZP2 30/34</i>	2
48	N70115	O-RING, RETAINER (BUNA) - ZP2 30/34	2
	<i>E70115</i>	<i>O-RING, RETAINER (EPDM) - ZP2 30/34</i>	2
	<i>V70115</i>	<i>O-RING, RETAINER (VITON) - ZP2 30/34</i>	2
49	P2GX101692	BELLEVILLE WASHER, SS - ZP2 30/34	2
50	P2SX101805	ROTOR NUT - ZP2 30/34	2
51	N70259	O-RING, COVER (BUNA) - ZP2 30/34	1
	<i>E70259</i>	<i>O-RING, COVER (EPDM) - ZP2 30/34</i>	1
	<i>V70259</i>	<i>O-RING, COVER (VITON) - ZP2 30/34</i>	1
52	P2CVR101845	COVER - ZP2 30/34	1
	<i>P2CVR107666</i>	<i>COVER, JACKETED - ZP2 30/34</i>	1
53	P1SX108370	COVER HEX NUT - ZP1 & ZP2 30/34	8
55	P1SX040SPATE	BEARING RETAINER SPLASH PLATE - ZP1 & ZP2 30/34	2
900	P1GXAD0096001	PICK,COMBO,O-RING ZP1 ZP2	1
901	P1GX000140003	OIL,460FG,MAGNAPLT,1GAL ZP	1
902	P1GX000140002	GREASE,HALO GUARD,14OZ TUBE ZP	1
903	P1GXRTVSEAL	SILICONE,DOW,732,30Z ZP1 ZP2	1



Single Mechanical Seal

Optional Items Shown in ITALICS

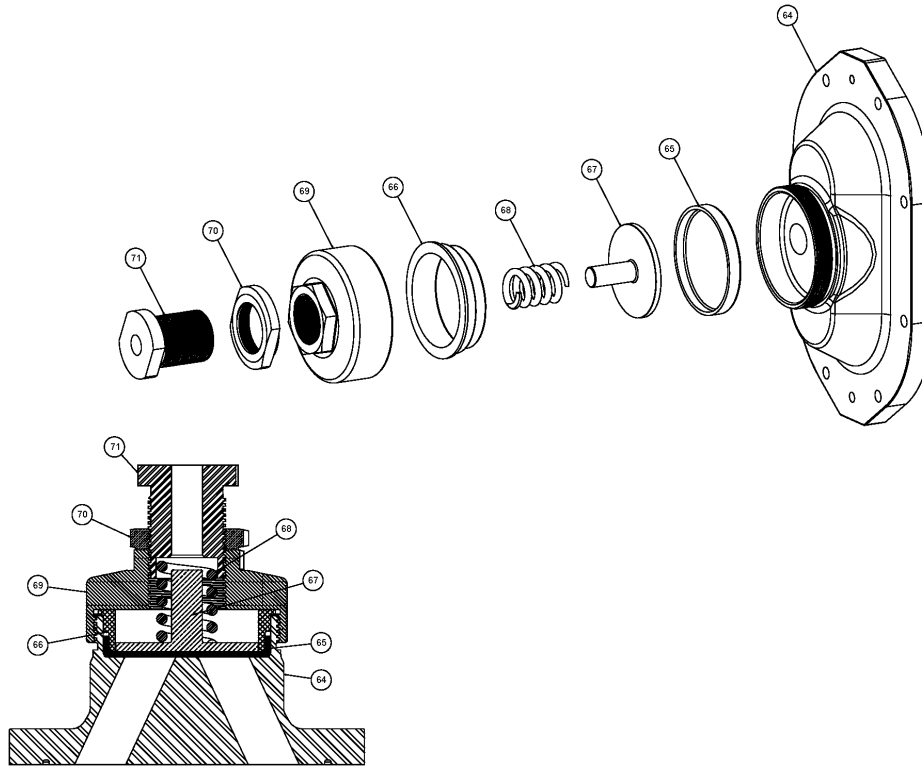
Ref #	Component Item No.	Description	Qty Per
45	N70031	O-RING, INNER SEAL (BUNA) - ZP2 30/34	2
	<i>E70031</i>	<i>O-RING, INNER SEAL (EPDM) - ZP2 30/34</i>	2
	<i>V70031</i>	<i>O-RING, INNER SEAL (VITON) - ZP2 30/34</i>	2
56	P2GS101685	INNER SEAL WAVE SPRING - ZP2 30/34	2
57	P2GS101656	INNER SEAL (K) - ZP2 30/34	2
	<i>P2GS101657</i>	<i>INNER SEAL (C) - ZP2 30/34</i>	2
	<i>P2GS101655</i>	<i>INNER SEAL (N) - ZP2 30/34</i>	2
58	N70029	O-RING, SHAFT (BUNA) - ZP2 30/34	2
	<i>E70029</i>	<i>O-RING, SHAFT (EPDM) - ZP2 30/34</i>	2
	<i>V70029</i>	<i>O-RING, SHAFT (VITON) - ZP2 30/34</i>	2
59	P2GS101671	SEAL SEAT (C) ZP2 30/34	2
	<i>P2GS101670</i>	<i>SEAL SEAT (K) ZP2 30/34</i>	2
63	N70127	O-RING, ROTOR HUB (BUNA) - ZP2 30/34	2
	<i>E70127</i>	<i>O-RING, ROTOR HUB (EPDM) - ZP2 30/34</i>	2
	<i>V70127</i>	<i>O-RING, ROTOR HUB (VITON) - ZP2 30/34</i>	2



Double Mechanical Seal

Optional Items Shown in ITALICS

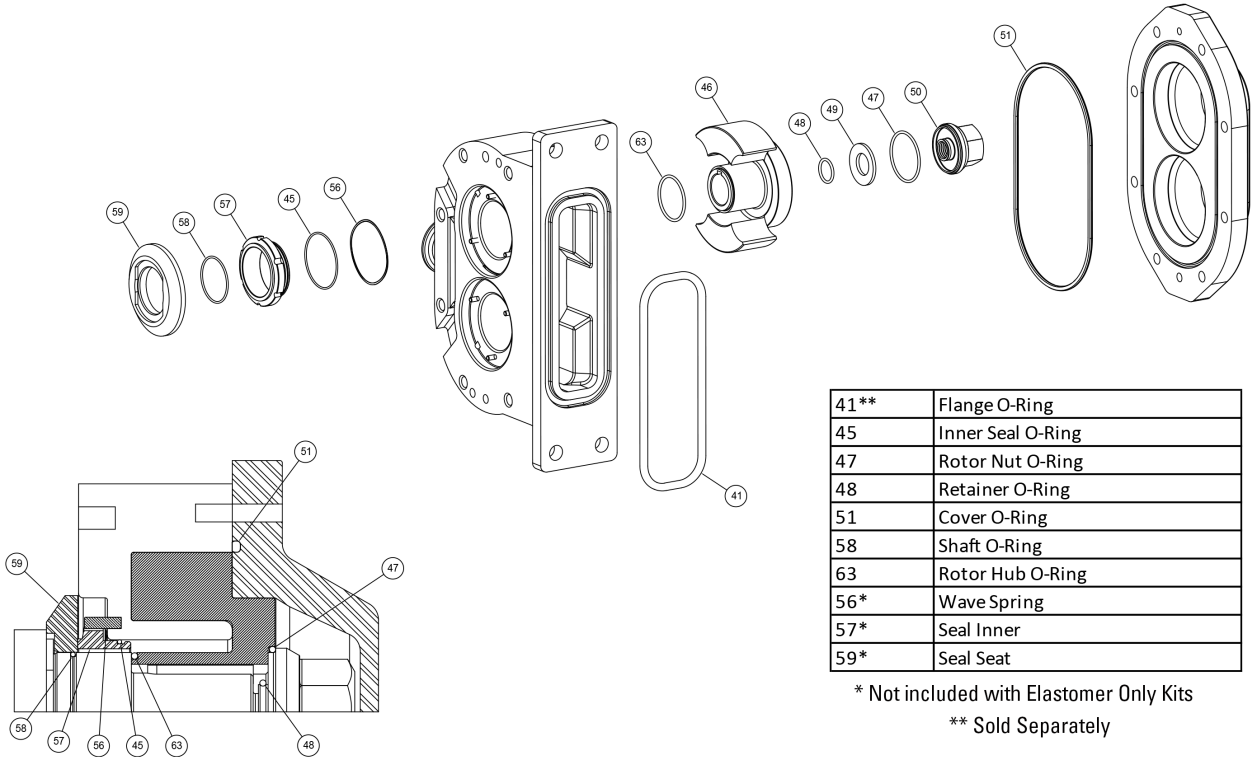
Ref #	Component Item No.	Description	Qty Per
41	N70357	O-RING, RECTANGULAR FLANGE (BUNA) - ZP1 34	1
	<i>E70357</i>	<i>O-RING, RECTANGULAR FLANGE (EPDM) - ZP1 34</i>	1
	<i>V70357</i>	<i>O-RING, RECTANGULAR FLANGE (VITON) - ZP1 34</i>	1
45	N70031	O-RING, INNER SEAL (BUNA) - ZP2 30/34	2
	<i>E70031</i>	<i>O-RING, INNER SEAL (EPDM) - ZP2 30/34</i>	2
	<i>V70031</i>	<i>O-RING, INNER SEAL (VITON) - ZP2 30/34</i>	2
56	P2GS101685	INNER SEAL WAVE SPRING - ZP2 30/34	2
57	P2GS101656	INNER SEAL (K) - ZP2 30/34	2
	<i>P2GS101657</i>	<i>INNER SEAL (C) - ZP2 30/34</i>	2
	<i>P2GS101655</i>	<i>INNER SEAL (N) - ZP2 30/34</i>	2
58	N70029	O-RING, SHAFT (BUNA) - ZP2 30/34	2
	<i>E70029</i>	<i>O-RING, SHAFT (EPDM) - ZP2 30/34</i>	2
	<i>V70029</i>	<i>O-RING, SHAFT (VITON) - ZP2 30/34</i>	2
59	P2GS101671	SEAL SEAT (C) ZP2 30/34	2
	<i>P2GS101670</i>	<i>SEAL SEAT (K) ZP2 30/34</i>	2
60	P2GS101686	OUTER SEAL WAVE SPRING - ZP2 30/34	2
61	N70041	O-RING, OUTER SEAL (BUNA) - ZP2 30/34	2
	<i>E70041</i>	<i>O-RING, OUTER SEAL (EPDM) - ZP2 30/34</i>	2
	<i>V70041</i>	<i>O-RING, OUTER SEAL (VITON) - ZP2 30/34</i>	2
62	P2GS101680	OUTER SEAL (N) - ZP2 30/34	2
63	N70127	O-RING, ROTOR HUB (BUNA) - ZP2 30/34	2
	<i>E70127</i>	<i>O-RING, ROTOR HUB (EPDM) - ZP2 30/34</i>	2
	<i>V70127</i>	<i>O-RING, ROTOR HUB (VITON) - ZP2 30/34</i>	2



Pressure Relief Cover

Optional Items Shown in ITALICS

Ref #	Component Item No.	Description	Qty Per
64	P2CVR103670	VENTED FRONT COVER, ZP2 - 30/34/40	1
65	P1GXAD0078000	RUBBER DIAPHRAGM, BUNA, ZP1 & ZP2 & ZP3 - 6/15/18/30/34/40	1
	<i>P1GXAD0078EPO</i>	<i>RUBBER DIAPHRAGM, EPDM, ZP1 & ZP2 & ZP3 - 6/15/18/30/34/40</i>	1
	<i>P1GXAD0078V00</i>	<i>RUBBER DIAPHRAGM, VITON, ZP1 & ZP2 & ZP3 - 6/15/18/30/34/40</i>	1
66	P1SXAD0077000	DIAPHRAGM BUSHING, ZP1 & ZP2 & ZP3 - 6/15/18/30/34/40	1
67	P1SXAD0073000	SPRING PLUNGER, ZP1 & ZP2 & ZP3 - 6/15/18/30/34/40	1
68	P1SXAD0076000	SPRING, MEDIUM, (LESS THAN 150 PSI), ZP1 & ZP2 & ZP3 - 6/15/18/30/34/40	1
	<i>P1SXABB076100</i>	<i>SPRING, HIGH, (MORE THAN 150 PSI), ZP1 & ZP2 & ZP3 - 6/15/18/30/34/40</i>	1
69	P1SXAD0075000	COVER NUT, ZP1 & ZP2 & ZP3 - 6/15/18/30/34/40	1
70	P1SXAD0074000	LOCKNUT, ZP1 & ZP2 & ZP3 - 6/15/18/30/34/40	1
71	P1SXAD0072000	ADJUSTING SCREW, ZP1 & ZP2 & ZP3 - 6/15/18/30/34/40	1



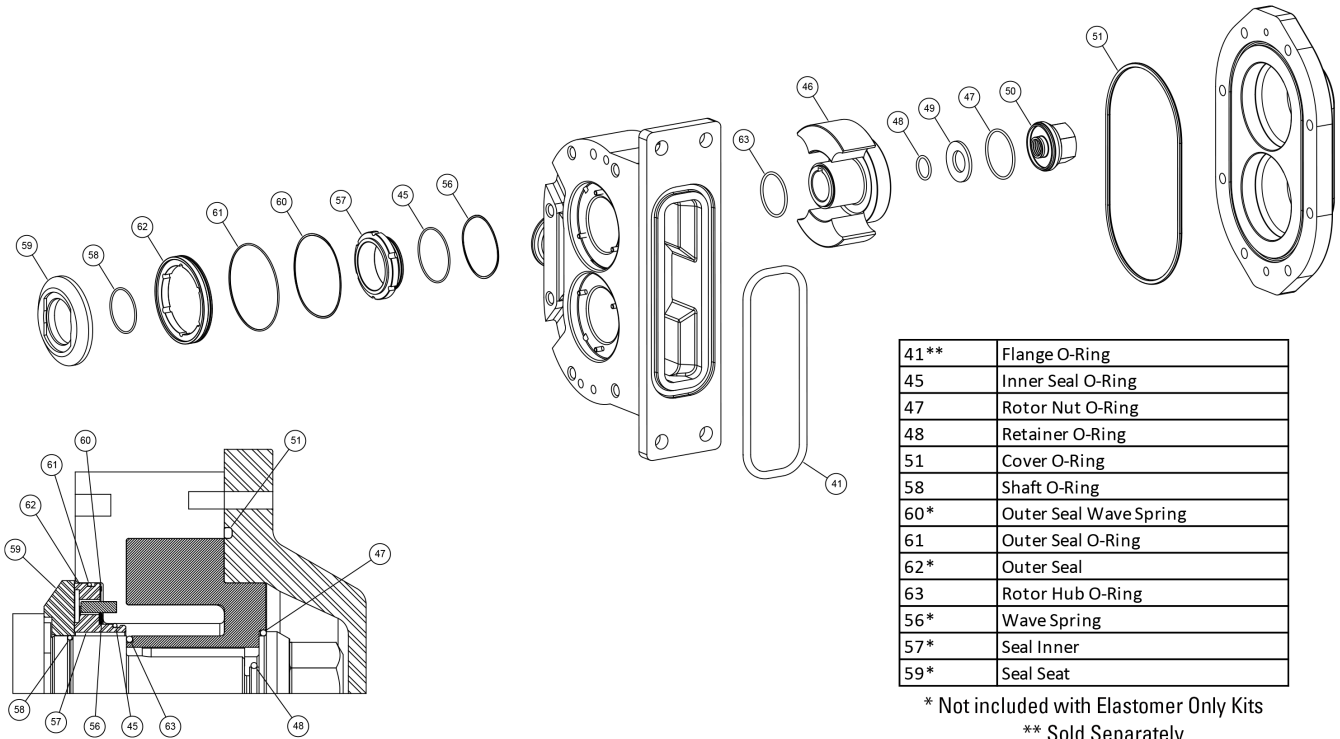
41**	Flange O-Ring
45	Inner Seal O-Ring
47	Rotor Nut O-Ring
48	Retainer O-Ring
51	Cover O-Ring
58	Shaft O-Ring
63	Rotor Hub O-Ring
56*	Wave Spring
57*	Seal Inner
59*	Seal Seat

* Not included with Elastomer Only Kits
** Sold Separately

Single Mechanical Seal Kit

Optional Items Shown in ITALICS

Ref #	Component Item No.	Description	Qty Per
1	P2GX030000-N	SEAL KIT, SGL MECH, ELASTOMERS ONLY, BUNA - ZP2 30/34/40	1
	<i>P2GX030000-E</i>	<i>SEAL KIT, SGL MECH, ELASTOMERS ONLY, EPDM - ZP2 30/34/40</i>	<i>1</i>
	<i>P2GX030000-V</i>	<i>SEAL KIT, SGL MECH, ELASTOMERS ONLY, VITON - ZP2 30/34/40</i>	<i>1</i>
2	P2GS030000-N	SEAL KIT, SGL MECH, SC/CA, BUNA - ZP2 30/34/40	1
	<i>P2GS030000-E</i>	<i>SEAL KIT, SGL MECH, SC/CA, EPDM - ZP2 30/34/40</i>	<i>1</i>
	<i>P2GS030000-V</i>	<i>SEAL KIT, SGL MECH, SC/CA, VITON - ZP2 30/34/40</i>	<i>1</i>
3	P2GS030020-N	SEAL KIT, SGL MECH, CE/CA, BUNA - ZP2 30/34/40	1
	<i>P2GS030020-E</i>	<i>SEAL KIT, SGL MECH, CE/CA, EPDM - ZP2 30/34/40</i>	<i>1</i>
	<i>P2GS030020-V</i>	<i>SEAL KIT, SGL MECH, CE/CA, VITON - ZP2 30/34/40</i>	<i>1</i>
4	<i>P2GS030030-V</i>	<i>SEAL KIT, SGL MECH, CE/CE, VITON - ZP2 30/34/40</i>	<i>1</i>
5	P2GS030010-N	SEAL KIT, SGL MECH, SC/SC, BUNA - ZP2 30/34/40	1
	<i>P2GS030010-E</i>	<i>SEAL KIT, SGL MECH, SC/SC, EPDM - ZP2 30/34/40</i>	<i>1</i>
	<i>P2GS030010-V</i>	<i>SEAL KIT, SGL MECH, SC/SC, VITON - ZP2 30/34/40</i>	<i>1</i>
49	P2GX101692	BELLEVILLE WASHER, SS - ZP2 30/34	2
50	P2SX101805	ROTOR NUT - ZP2 30/34	2



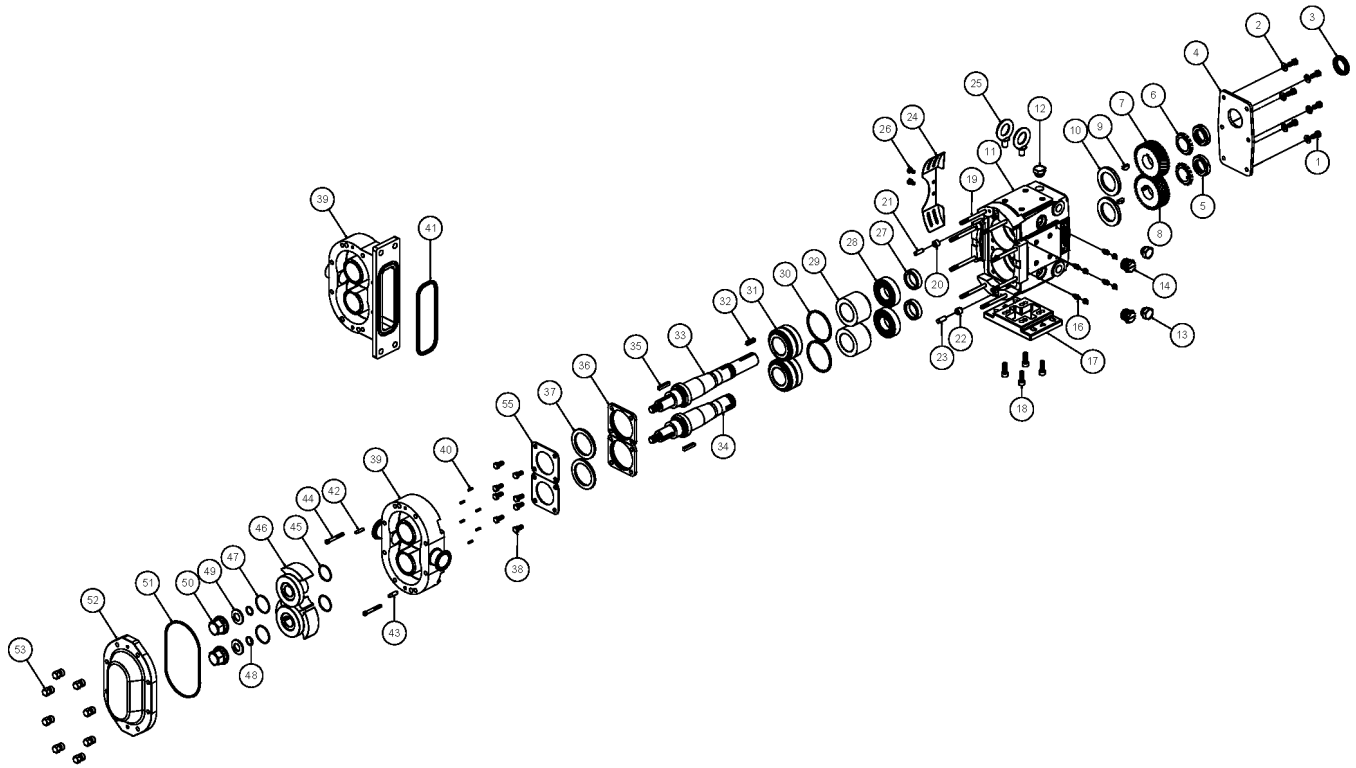
41**	Flange O-Ring
45	Inner Seal O-Ring
47	Rotor Nut O-Ring
48	Retainer O-Ring
51	Cover O-Ring
58	Shaft O-Ring
60*	Outer Seal WaveSpring
61	Outer Seal O-Ring
62*	Outer Seal
63	Rotor Hub O-Ring
56*	Wave Spring
57*	Seal Inner
59*	Seal Seat

* Not included with Elastomer Only Kits
** Sold Separately

Double Mechanical Seal Kit

Optional Items Shown in ITALICS

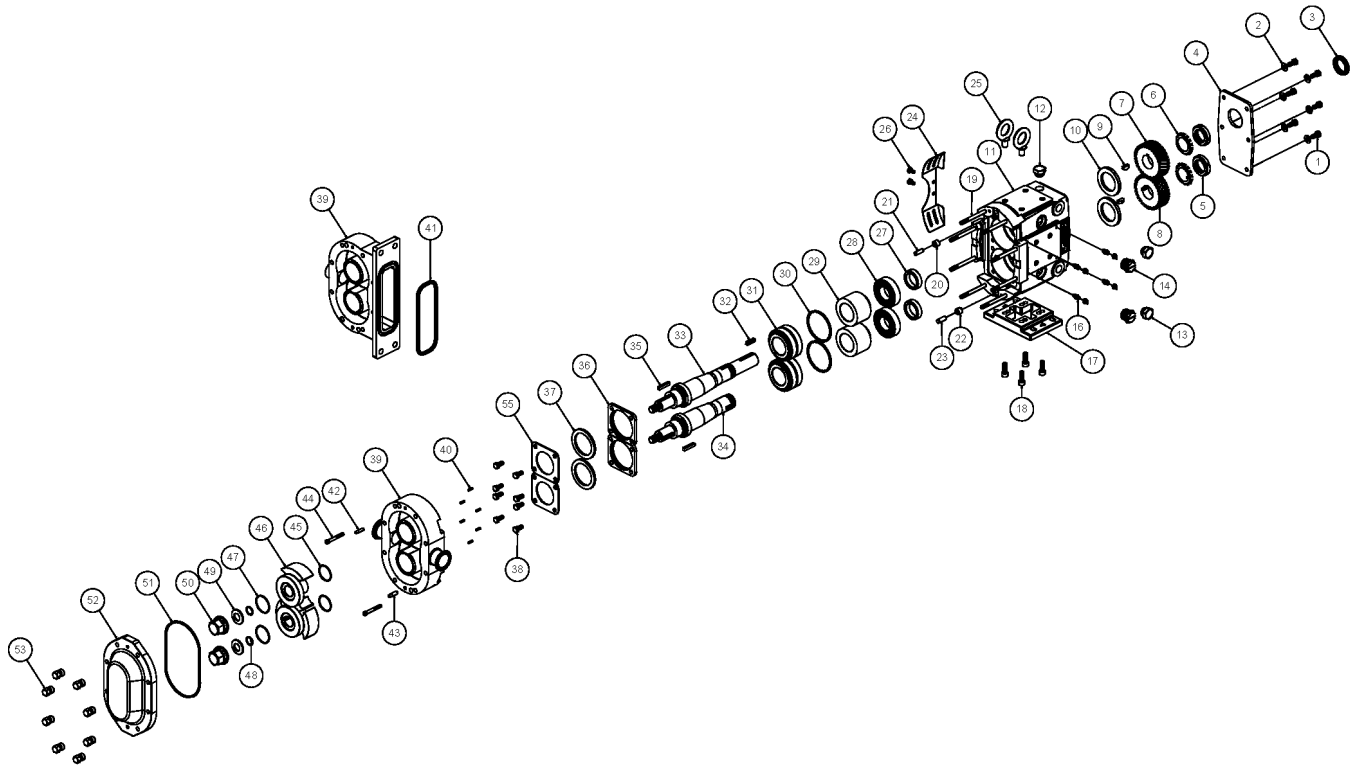
Ref #	Component Item No.	Description	Qty Per
1	P2GX030200-N	SEAL KIT, DBL MECH, ELASTOMERS ONLY, BUNA - ZP2 30/34/40	1
	<i>P2GX030200-E</i>	<i>SEAL KIT, DBL MECH, ELASTOMERS ONLY, EPDM - ZP2 30/34/40</i>	<i>1</i>
	<i>P2GX030200-V</i>	<i>SEAL KIT, DBL MECH, ELASTOMERS ONLY, VITON - ZP2 30/34/40</i>	<i>1</i>
2	P2GS030200-N	SEAL KIT, DBL MECH, SC/CA/CA, BUNA - ZP2 30/34/40	1
	<i>P2GS030200-E</i>	<i>SEAL KIT, DBL MECH, SC/CA/CA, EPDM - ZP2 30/34/40</i>	<i>1</i>
	<i>P2GS030200-V</i>	<i>SEAL KIT, DBL MECH, SC/CA/CA, VITON - ZP2 30/34/40</i>	<i>1</i>
3	P2GS030220-N	SEAL KIT, DBL MECH, CE/CA/CA, BUNA - ZP2 30/34/40	1
	<i>P2GS030220-E</i>	<i>SEAL KIT, DBL MECH, CE/CA/CA, EPDM - ZP2 30/34/40</i>	<i>1</i>
	<i>P2GS030220-V</i>	<i>SEAL KIT, DBL MECH, CE/CA/CA, VITON - ZP2 30/34/40</i>	<i>1</i>
4	P2GS030230-N	SEAL KIT, DBL MECH, CE/CE/CA, BUNA - ZP2 30/34/40	1
5	P2GS030210-N	SEAL KIT, DBL MECH, SC/SC/CA, BUNA - ZP2 30/34/40	1
	<i>P2GS030210-E</i>	<i>SEAL KIT, DBL MECH, SC/SC/CA, EPDM - ZP2 30/34/40</i>	<i>1</i>
	<i>P2GS030210-V</i>	<i>SEAL KIT, DBL MECH, SC/SC/CA, VITON - ZP2 30/34/40</i>	<i>1</i>
49	P2GX101692	BELLEVILLE WASHER, SS - ZP2 30/34	2
50	P2SX101805	ROTOR NUT - ZP2 30/34	2



Exploded View

Optional Items Shown in ITALICS

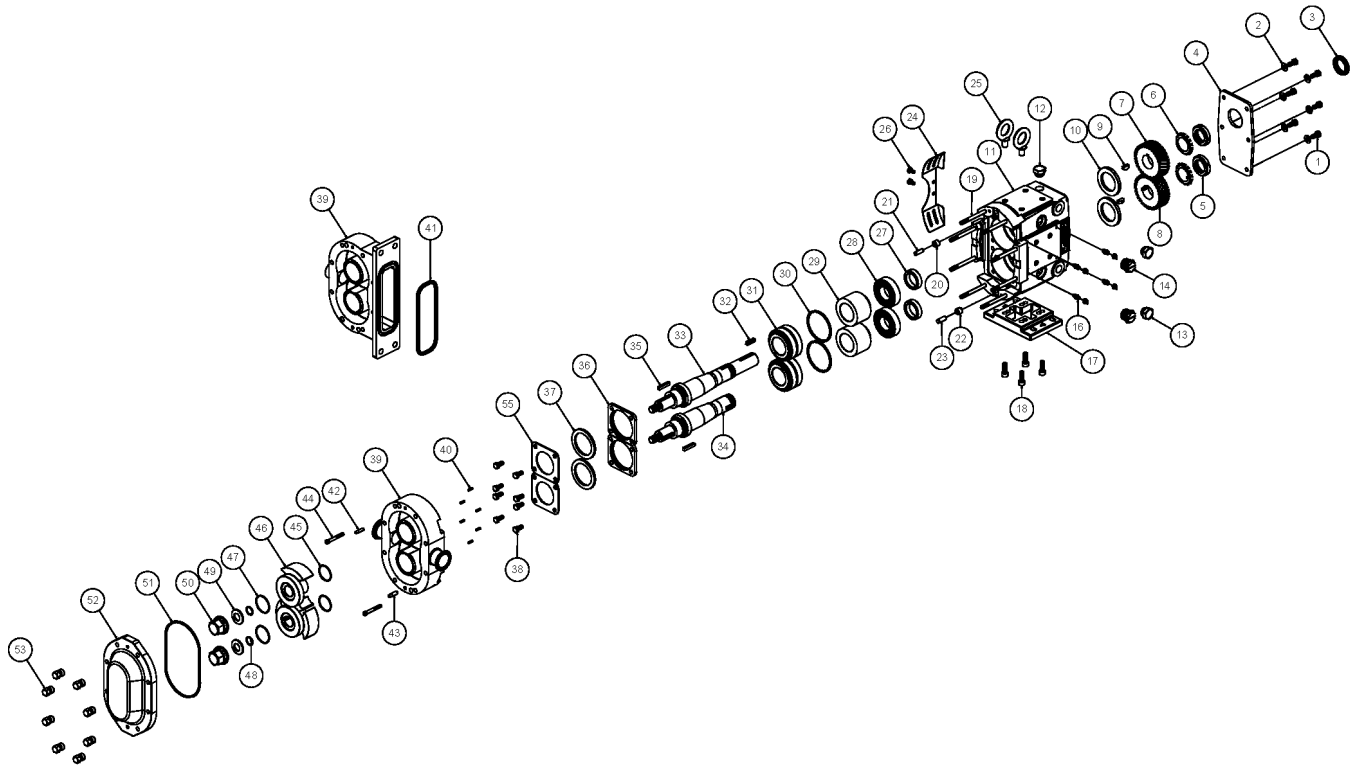
Ref #	Component Item No.	Description	Qty Per
1	P1GX30-58	1/4-20 X 3/4" HHCS, G.CASE COVER, SS - ZP1 & ZP2 6/15/18/30/	6
2	P1GX43-108	FLAT WASHER, G CASE COVER, 1/4 X 5/8 OD, SS - ZP1 & ZP2 6/15	6
3	P1GX000030013-ND	OIL SEAL, PTFE, GEAR CASE COVER - ZP1 & ZP2 30/34	1
	<i>P1GX000030013</i>	<i>OIL SEAL, GEAR CASE COVER - ZP1 & ZP2 30/34</i>	1
4	P1SX040106000	GEAR CASE COVER, SS - ZP1 & ZP2 30/34	1
5	P1GXCD0036N00	GEAR LOCKNUT ZP1 & ZP2 30/34	2
6	P1GXCD0036W00	GEAR LOCKWASHER ZP2 30/34	2
7	P1GX030007001	GEAR DRIVE SHAFT ZP1 & ZP2 30/34	1
8	P1GX030007002	GEAR SHORT SHAFT ZP1 & ZP2 30/34	1
9	P1GXBD0037000	GEAR KEY - ZP1 & ZP2 30/34	2
10	P1GX000030014	OIL SEAL, REAR - ZP1 & ZP2 30/34	2
11	P1SX040005000	GEAR CASE, SS - ZP1 & ZP2 30/34	1
12	P1GX115798	PLUG,HEX,20M X1.5,W/NBR SEAL	5
13	P1GX115799	GAUGE,OIL,LVL,INDIC,M-20X1.5	1
14	P1GX70PLUG-SS	CLEAN OUT PLUG, SS - ZP1 & ZP2 30/34	4
	<i>P1GX70PLUG</i>	<i>CLEAN OUT PLUG, YELLOW - ZP1 & ZP2 30/34</i>	4
16	P1GXBD0092001	GREASE FITTING, THREADED 1/4"-28 TAPER, SS	8
17	P1SX040110000	GEAR CASE BASE, SS - ZP1 & ZP2 30/34	1
18	P1GX30SHCSGCB	SHCS, G. CASE BASE, (18-8 SS) 3/8-16 X 1 - ZP1 & ZP2 30/34	4
19	P1GX118897	STUD, ZP2 40	8
	<i>P1GX118898</i>	<i>STUD, JACKETED COVER, ZP2 40</i>	8
20	P1GXBD0116000	UPPER DOWEL BUSHING - ZP1 & ZP2 30/34	1
21	P1GX124582	DOWEL PIN - ZP1 & ZP2 45/60/64/130/134	1
22	P1GXBD0116100	LOWER DOWEL BUSHING - ZP1 & ZP2 30/34	1
23	P1GX124583	DOWEL PIN - ZP1 & ZP2 45/60/64/130/134	1
24	P1SX040CEGUARD	GUARD,30/34,(CE),GC,,SS	2
26	P1GX000CENAIL	DRIVENAIL,ZP,GEAR CASE GUARDS	4



Exploded View

Optional Items Shown in ITALICS

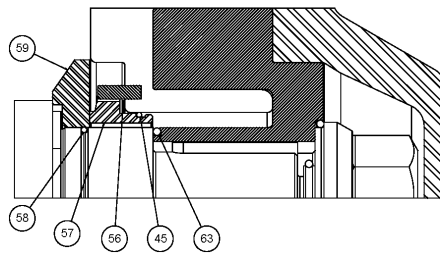
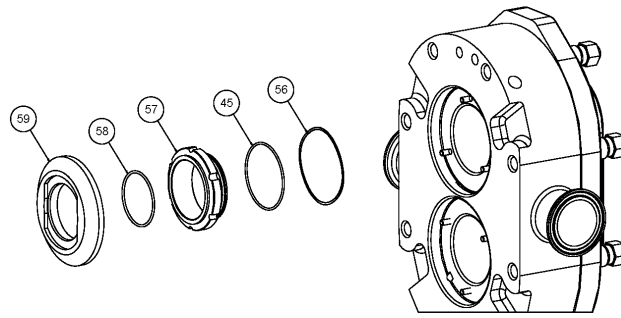
Ref #	Component Item No.	Description	Qty Per
27	P1GX030055000	GEAR TO REAR BEARING SPACER - ZP1 & ZP2 30/33/34	2
28	P1GX030035000	REAR BEARING - ZP1 & ZP2 30/33/34	2
29	P1GX101815	BEARING SPACER - ZP1 & ZP2 30/33/34	2
30	P1GX117890	SHIM KIT - ZP1 & ZP2 30/34	2
31	P1GX101715	FRONT BEARING - ZP1 & ZP2 30/33/34	2
32	P1GX000037002	DRIVE KEY, 1/4" SQ. X 1" - ZP1 & ZP2 30/34	1
33	P2SX118722	DRIVE SHAFT (17-4PH) - ZP2 40	1
34	P2SX118723	SHORT SHAFT (17-4PH) - ZP2 40	1
35	P2SX101821	ROTOR KEY - ZP2 30/34/40	2
36	P1SX120333	BEARING RETAINER, NEW STYLE - ZP1 & ZP2 30/34	2
37	P1GX121680-ND	GREASE SEAL, PTFE, FRONT BEARING RET. 3A - ZP1 & ZP2 30/34	2
	<i>P1GX121680</i>	<i>GREASE SEAL FRONT BEARING RET. 3A - ZP1 & ZP2 30/34</i>	2
38	P1GX30-283	5/16-18 X 3/4" HX HD CAP SCREW, SS -ZP1 & ZP2 30	8
39	P2BDY040001000	BODY - ZP2 40	1
	<i>P2BDY040001F00</i>	<i>BODY - ZP2 40 - FLUSHED</i>	1
40	P2GX101719	STOP PIN,SEAL - ZP2 30/34	6
42	P1GX124581	DOWEL PIN - ZP1 & ZP2 6/15/18/24	1
43	P1GX124582	DOWEL PIN - ZP1 & ZP2 45/60/64/130/134	1
44	P1GX40RETSCREW	SCREW,40,BDY RET,1/4-20X2.5,SS ZP1 ZP2	2
45	N70031	O-RING, INNER SEAL (BUNA) - ZP2 30/34	2
	<i>E70031</i>	<i>O-RING, INNER SEAL (EPDM) - ZP2 30/34</i>	2
	<i>V70031</i>	<i>O-RING, INNER SEAL (VITON) - ZP2 30/34</i>	2
46	P2RTB040010000	ROTOR TWIN BLADE - ZP2 40 (STD) - ALLOY 88	2
	<i>P2RTB04001000H</i>	<i>ROTOR TWIN BLADE - ZP2 40 (STD) - ALLOY 88 - HOT CLEARANCE</i>	2
47	N70130	O-RING, ROTOR NUT (BUNA) - ZP2 30/34	2
	<i>E70130</i>	<i>O-RING, ROTOR NUT (EPDM) - ZP2 30/34</i>	2
	<i>V70130</i>	<i>O-RING, ROTOR NUT (VITON) - ZP2 30/34</i>	2



Exploded View

Optional Items Shown in ITALICS

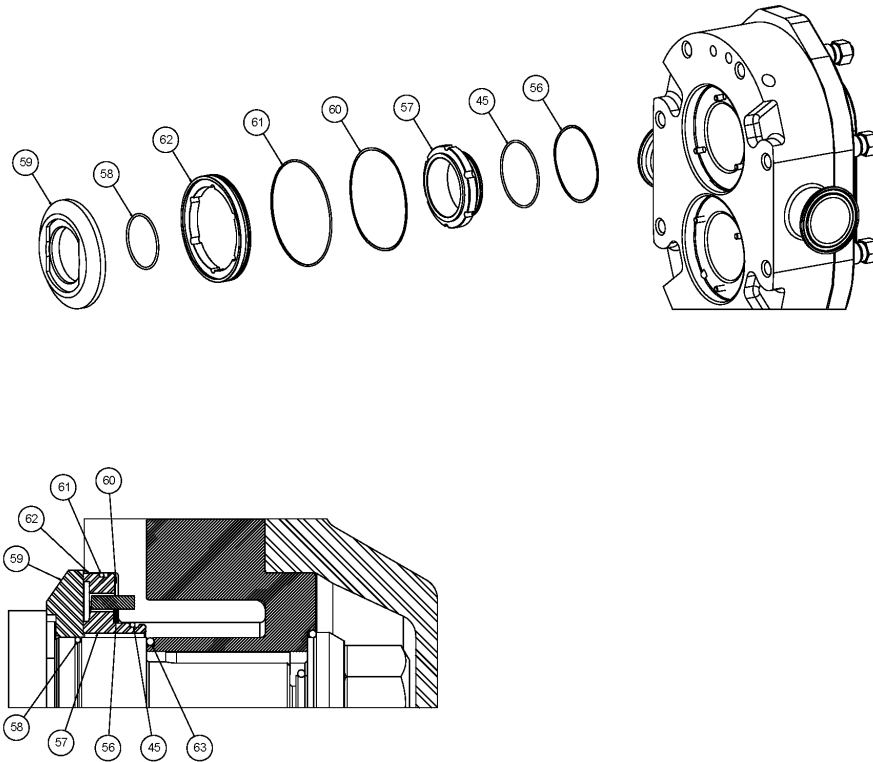
Ref #	Component Item No.	Description	Qty Per
48	N70115	O-RING, RETAINER (BUNA) - ZP2 30/34	2
	<i>E70115</i>	<i>O-RING, RETAINER (EPDM) - ZP2 30/34</i>	<i>2</i>
	<i>V70115</i>	<i>O-RING, RETAINER (VITON) - ZP2 30/34</i>	<i>2</i>
49	P2GX101692	BELLEVILLE WASHER, SS - ZP2 30/34	2
50	P2SX101805	ROTOR NUT - ZP2 30/34	2
51	N70259	O-RING, COVER (BUNA) - ZP2 30/34	1
	<i>E70259</i>	<i>O-RING, COVER (EPDM) - ZP2 30/34</i>	<i>1</i>
	<i>V70259</i>	<i>O-RING, COVER (VITON) - ZP2 30/34</i>	<i>1</i>
52	P2CVR101845	COVER - ZP2 30/34	1
	<i>P2CVR107666</i>	<i>COVER, JACKETED - ZP2 30/34</i>	<i>1</i>
53	P1SX108370	COVER HEX NUT - ZP1 & ZP2 30/34	8
55	P1SX040SPLATE	BEARING RETAINER SPLASH PLATE - ZP1 & ZP2 30/34	2
900	P1GXAD0096001	PICK,COMBO,O-RING ZP1 ZP2	1
901	P1GX000140003	OIL,460FG,MAGNAPLT,1GAL ZP	1
902	P1GX000140002	GREASE,HALO GUARD,14OZ TUBE ZP	1
903	P1GXRTVSEAL	SILICONE,DOW,732,30Z ZP1 ZP2	1



Single Mechanical Seal

Optional Items Shown in ITALICS

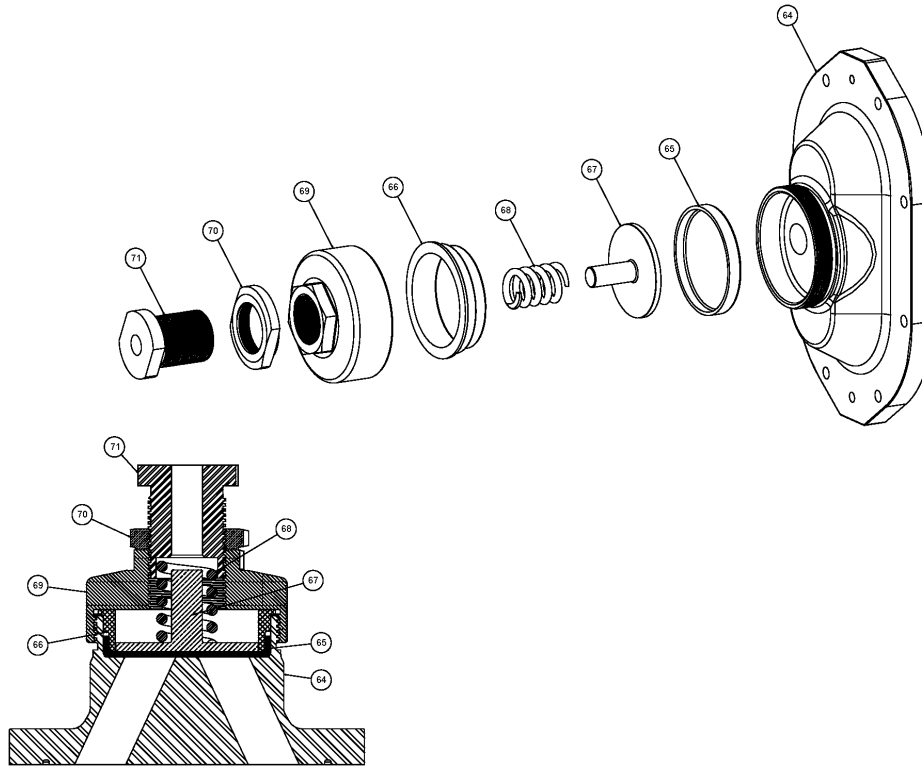
Ref #	Component Item No.	Description	Qty Per
45	N70031	O-RING, INNER SEAL (BUNA) - ZP2 30/34	2
	<i>E70031</i>	<i>O-RING, INNER SEAL (EPDM) - ZP2 30/34</i>	2
	<i>V70031</i>	<i>O-RING, INNER SEAL (VITON) - ZP2 30/34</i>	2
56	P2GS101685	INNER SEAL WAVE SPRING - ZP2 30/34	2
57	P2GS101656	INNER SEAL (K) - ZP2 30/34	2
	<i>P2GS101657</i>	<i>INNER SEAL (C) - ZP2 30/34</i>	2
	<i>P2GS101655</i>	<i>INNER SEAL (N) - ZP2 30/34</i>	2
58	N70029	O-RING, SHAFT (BUNA) - ZP2 30/34	2
	<i>E70029</i>	<i>O-RING, SHAFT (EPDM) - ZP2 30/34</i>	2
	<i>V70029</i>	<i>O-RING, SHAFT (VITON) - ZP2 30/34</i>	2
59	P2GS101671	SEAL SEAT (C) ZP2 30/34	2
	<i>P2GS101670</i>	<i>SEAL SEAT (K) ZP2 30/34</i>	2
63	N70127	O-RING, ROTOR HUB (BUNA) - ZP2 30/34	2
	<i>E70127</i>	<i>O-RING, ROTOR HUB (EPDM) - ZP2 30/34</i>	2
	<i>V70127</i>	<i>O-RING, ROTOR HUB (VITON) - ZP2 30/34</i>	2



Double Mechanical Seal

Optional Items Shown in ITALICS

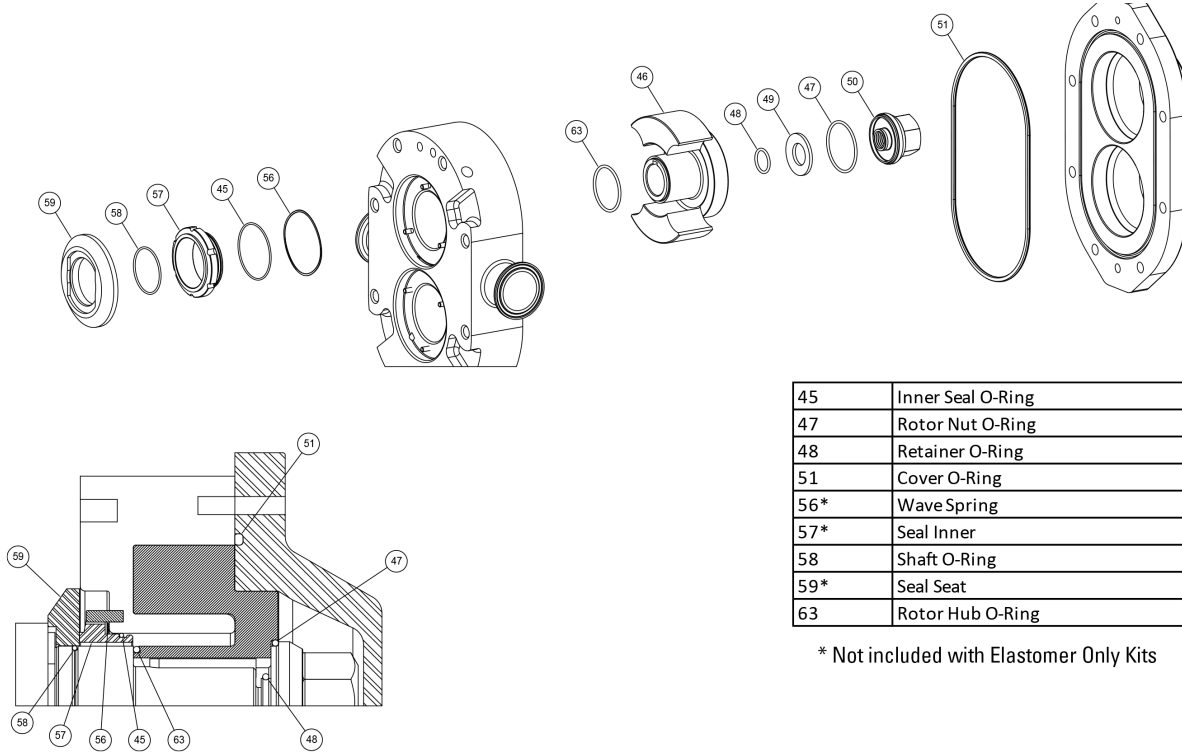
Ref #	Component Item No.	Description	Qty Per
45	N70031	O-RING, INNER SEAL (BUNA) - ZP2 30/34	2
	<i>E70031</i>	<i>O-RING, INNER SEAL (EPDM) - ZP2 30/34</i>	2
	<i>V70031</i>	<i>O-RING, INNER SEAL (VITON) - ZP2 30/34</i>	2
56	P2GS101685	INNER SEAL WAVE SPRING - ZP2 30/34	2
57	P2GS101656	INNER SEAL (K) - ZP2 30/34	2
	<i>P2GS101657</i>	<i>INNER SEAL (C) - ZP2 30/34</i>	2
	<i>P2GS101655</i>	<i>INNER SEAL (N) - ZP2 30/34</i>	2
58	N70029	O-RING, SHAFT (BUNA) - ZP2 30/34	2
	<i>E70029</i>	<i>O-RING, SHAFT (EPDM) - ZP2 30/34</i>	2
	<i>V70029</i>	<i>O-RING, SHAFT (VITON) - ZP2 30/34</i>	2
59	P2GS101671	SEAL SEAT (C) ZP2 30/34	2
	<i>P2GS101670</i>	<i>SEAL SEAT (K) ZP2 30/34</i>	2
60	P2GS101686	OUTER SEAL WAVE SPRING - ZP2 30/34	2
61	N70041	O-RING, OUTER SEAL (BUNA) - ZP2 30/34	2
	<i>E70041</i>	<i>O-RING, OUTER SEAL (EPDM) - ZP2 30/34</i>	2
	<i>V70041</i>	<i>O-RING, OUTER SEAL (VITON) - ZP2 30/34</i>	2
62	P2GS101680	OUTER SEAL (N) - ZP2 30/34	2
63	N70127	O-RING, ROTOR HUB (BUNA) - ZP2 30/34	2
	<i>E70127</i>	<i>O-RING, ROTOR HUB (EPDM) - ZP2 30/34</i>	2
	<i>V70127</i>	<i>O-RING, ROTOR HUB (VITON) - ZP2 30/34</i>	2



Pressure Relief Cover

Optional Items Shown in ITALICS

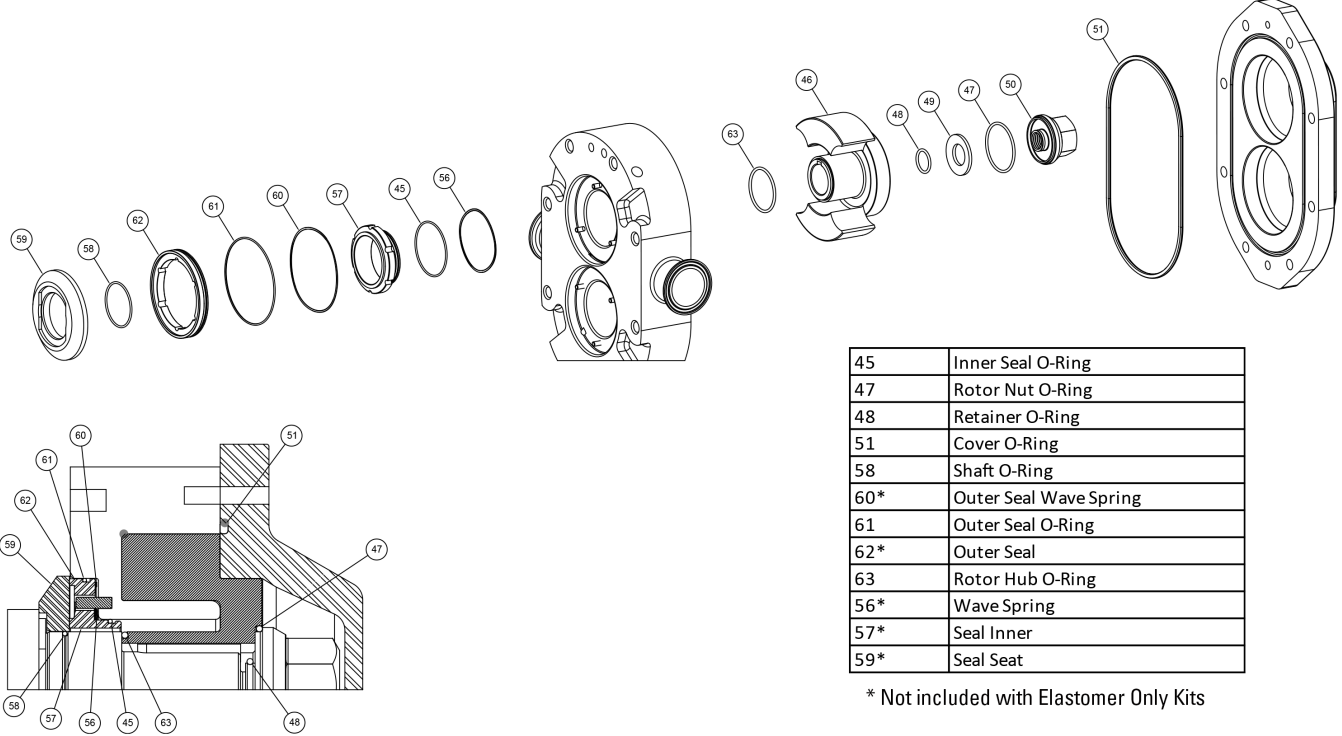
Ref #	Component Item No.	Description	Qty Per
64	P2CVR103670	VENTED FRONT COVER, ZP2 - 30/34/40	1
65	P1GXAD0078000	RUBBER DIAPHRAGM, BUNA, ZP1 & ZP2 & ZP3 - 6/15/18/30/34/40	1
	<i>P1GXAD0078EPO</i>	<i>RUBBER DIAPHRAGM, EPDM, ZP1 & ZP2 & ZP3 - 6/15/18/30/34/40</i>	1
	<i>P1GXAD0078V00</i>	<i>RUBBER DIAPHRAGM, VITON, ZP1 & ZP2 & ZP3 - 6/15/18/30/34/40</i>	1
66	P1SXAD0077000	DIAPHRAGM BUSHING, ZP1 & ZP2 & ZP3 - 6/15/18/30/34/40	1
67	P1SXAD0073000	SPRING PLUNGER, ZP1 & ZP2 & ZP3 - 6/15/18/30/34/40	1
68	P1SXAD0076000	SPRING, MEDIUM, (LESS THAN 150 PSI), ZP1 & ZP2 & ZP3 - 6/15/18/30/34/40	1
	<i>P1SXABB076100</i>	<i>SPRING, HIGH, (MORE THAN 150 PSI), ZP1 & ZP2 & ZP3 - 6/15/18/30/34/40</i>	1
69	P1SXAD0075000	COVER NUT, ZP1 & ZP2 & ZP3 - 6/15/18/30/34/40	1
70	P1SXAD0074000	LOCKNUT, ZP1 & ZP2 & ZP3 - 6/15/18/30/34/40	1
71	P1SXAD0072000	ADJUSTING SCREW, ZP1 & ZP2 & ZP3 - 6/15/18/30/34/40	1



Single Mechanical Seal Kit

Optional Items Shown in ITALICS

Ref #	Component Item No.	Description	Qty Per
1	P2GX030000-N	SEAL KIT, SGL MECH, ELASTOMERS ONLY, BUNA - ZP2 30/34/40	1
	<i>P2GX030000-E</i>	<i>SEAL KIT, SGL MECH, ELASTOMERS ONLY, EPDM - ZP2 30/34/40</i>	<i>1</i>
	<i>P2GX030000-V</i>	<i>SEAL KIT, SGL MECH, ELASTOMERS ONLY, VITON - ZP2 30/34/40</i>	<i>1</i>
2	P2GS030000-N	SEAL KIT, SGL MECH, SC/CA, BUNA - ZP2 30/34/40	1
	<i>P2GS030000-E</i>	<i>SEAL KIT, SGL MECH, SC/CA, EPDM - ZP2 30/34/40</i>	<i>1</i>
	<i>P2GS030000-V</i>	<i>SEAL KIT, SGL MECH, SC/CA, VITON - ZP2 30/34/40</i>	<i>1</i>
3	P2GS030020-N	SEAL KIT, SGL MECH, CE/CA, BUNA - ZP2 30/34/40	1
	<i>P2GS030020-E</i>	<i>SEAL KIT, SGL MECH, CE/CA, EPDM - ZP2 30/34/40</i>	<i>1</i>
	<i>P2GS030020-V</i>	<i>SEAL KIT, SGL MECH, CE/CA, VITON - ZP2 30/34/40</i>	<i>1</i>
4	<i>P2GS030030-V</i>	<i>SEAL KIT, SGL MECH, CE/CE, VITON - ZP2 30/34/40</i>	<i>1</i>
5	P2GS030010-N	SEAL KIT, SGL MECH, SC/SC, BUNA - ZP2 30/34/40	1
	<i>P2GS030010-E</i>	<i>SEAL KIT, SGL MECH, SC/SC, EPDM - ZP2 30/34/40</i>	<i>1</i>
	<i>P2GS030010-V</i>	<i>SEAL KIT, SGL MECH, SC/SC, VITON - ZP2 30/34/40</i>	<i>1</i>
49	P2GX101692	BELLEVILLE WASHER, SS - ZP2 30/34	2
50	P2SX101805	ROTOR NUT - ZP2 30/34	2



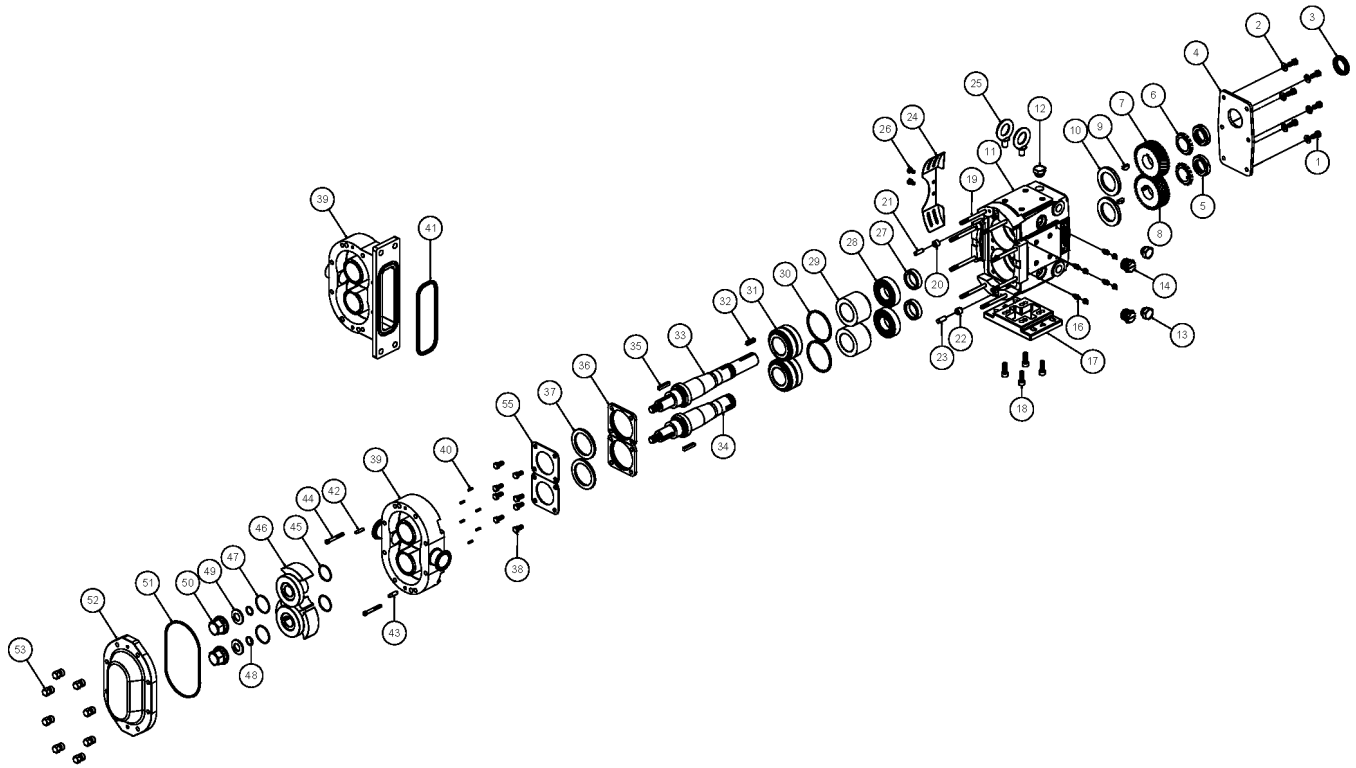
45	Inner Seal O-Ring
47	Rotor Nut O-Ring
48	Retainer O-Ring
51	Cover O-Ring
58	Shaft O-Ring
60*	Outer Seal Wave Spring
61	Outer Seal O-Ring
62*	Outer Seal
63	Rotor Hub O-Ring
56*	Wave Spring
57*	Seal Inner
59*	Seal Seat

* Not included with Elastomer Only Kits

Double Mechanical Seal Kit

Optional Items Shown in ITALICS

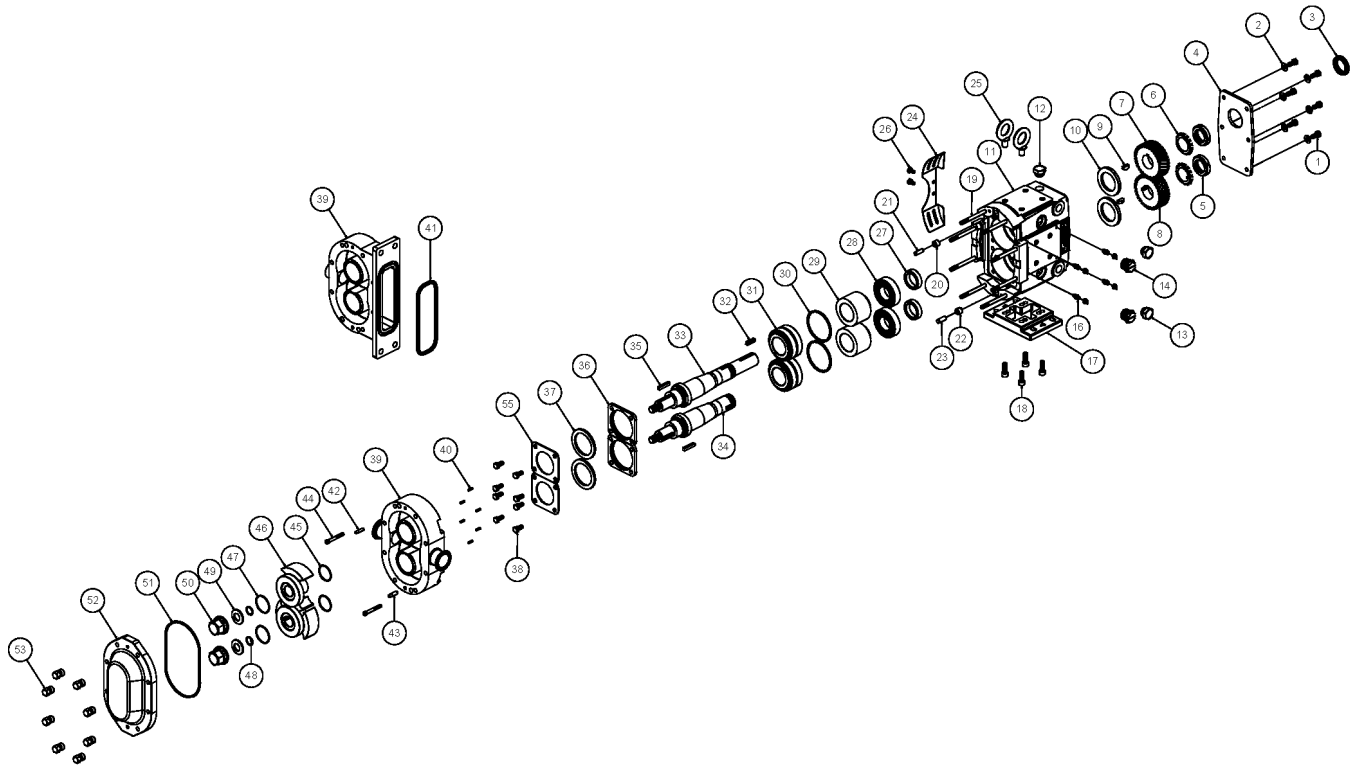
Ref #	Component Item No.	Description	Qty Per
1	P2GX030200-N	SEAL KIT, DBL MECH, ELASTOMERS ONLY, BUNA - ZP2 30/34/40	1
	<i>P2GX030200-E</i>	<i>SEAL KIT, DBL MECH, ELASTOMERS ONLY, EPDM - ZP2 30/34/40</i>	<i>1</i>
	<i>P2GX030200-V</i>	<i>SEAL KIT, DBL MECH, ELASTOMERS ONLY, VITON - ZP2 30/34/40</i>	<i>1</i>
2	P2GS030200-N	SEAL KIT, DBL MECH, SC/CA/CA, BUNA - ZP2 30/34/40	1
	<i>P2GS030200-E</i>	<i>SEAL KIT, DBL MECH, SC/CA/CA, EPDM - ZP2 30/34/40</i>	<i>1</i>
	<i>P2GS030200-V</i>	<i>SEAL KIT, DBL MECH, SC/CA/CA, VITON - ZP2 30/34/40</i>	<i>1</i>
3	P2GS030220-N	SEAL KIT, DBL MECH, CE/CA/CA, BUNA - ZP2 30/34/40	1
	<i>P2GS030220-E</i>	<i>SEAL KIT, DBL MECH, CE/CA/CA, EPDM - ZP2 30/34/40</i>	<i>1</i>
	<i>P2GS030220-V</i>	<i>SEAL KIT, DBL MECH, CE/CA/CA, VITON - ZP2 30/34/40</i>	<i>1</i>
4	P2GS030230-N	SEAL KIT, DBL MECH, CE/CE/CA, BUNA - ZP2 30/34/40	1
5	P2GS030210-N	SEAL KIT, DBL MECH, SC/SC/CA, BUNA - ZP2 30/34/40	1
	<i>P2GS030210-E</i>	<i>SEAL KIT, DBL MECH, SC/SC/CA, EPDM - ZP2 30/34/40</i>	<i>1</i>
	<i>P2GS030210-V</i>	<i>SEAL KIT, DBL MECH, SC/SC/CA, VITON - ZP2 30/34/40</i>	<i>1</i>
49	P2GX101692	BELLEVILLE WASHER, SS - ZP2 30/34	2
50	P2SX101805	ROTOR NUT - ZP2 30/34	2



Exploded View

Optional Items Shown in ITALICS

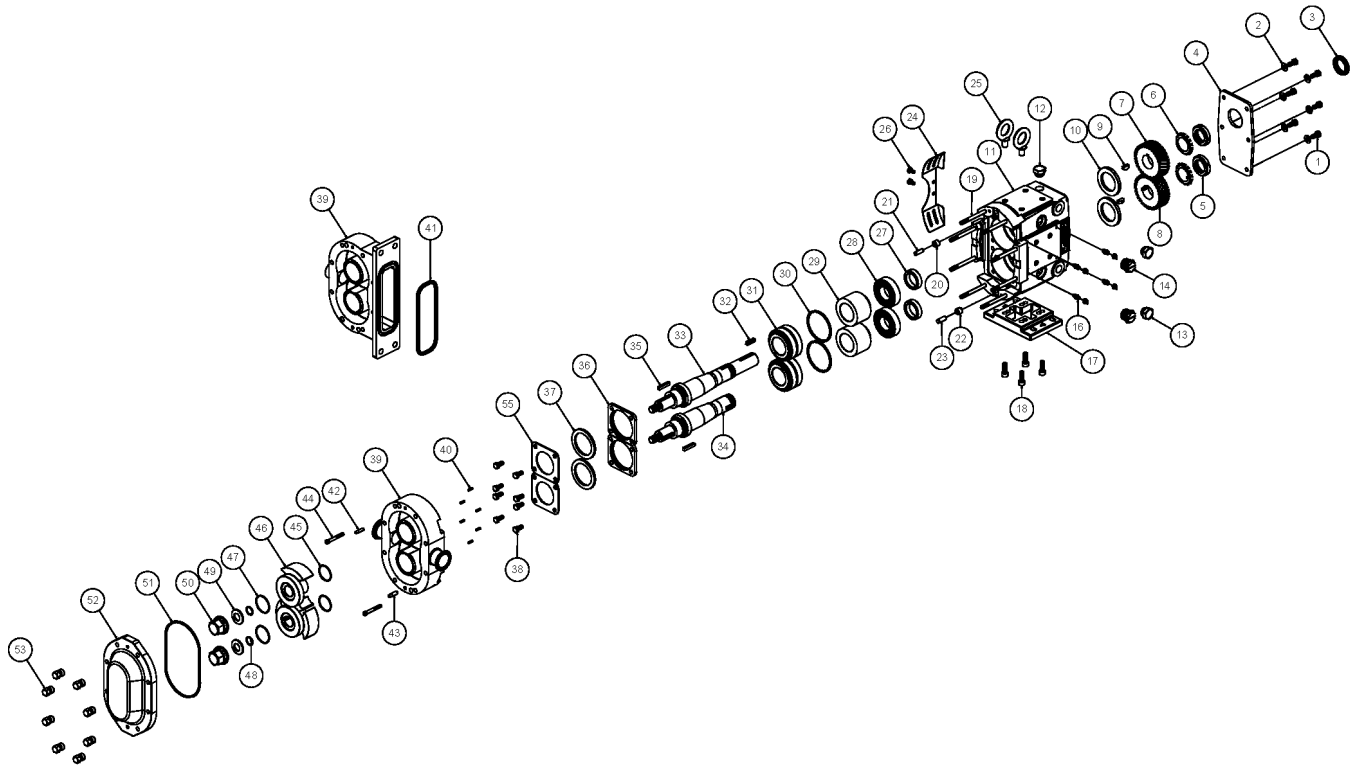
Ref #	Component Item No.	Description	Qty Per
1	P1GX30-50	GEAR CASE COVER BOLT - 3/8-16 X 3/4 HHCS (18-8 SS)	6
2	P1GX43-189	GEAR CASE COVER WASHER - 3/8 FLAT WASHER (18-8 SS)	6
3	P1GX000030012-ND	OIL SEAL, PTFE, GEAR CASE COVER - ZP1 & ZP2 45/60/64/130/134	1
	<i>P1GX000030012</i>	<i>OIL SEAL, GEAR CASE COVER - ZP1 & ZP2 45/60/64/130/134</i>	1
4	P1SX070106000	GEAR CASE COVER, SS - ZP1 & ZP2 45/60/64/130/134	1
5	P1GXSTD236009	GEAR LOCKNUT ZP1 & ZP2 45/60/64/130/134	2
6	P1GXSTD136009	GEAR LOCKWASHER ZP1 & ZP2 45/60/64/130/134	2
7	P1GX060007001	GEAR DRIVE SHAFT ZP1 & ZP2 45/60/64/130/134	1
8	P1GX060007002	GEAR SHORT SHAFT ZP1 & ZP2 45/60/64/130/134	1
9	P1GX060037000	GEAR KEY - ZP1 & ZP2 45/60/64/130/134	2
10	P1GX000030011	OIL SEAL REAR - ZP1 & ZP2 45/60/64/130/134	2
11	P1SX070005000	GEAR CASE, SS - ZP1 & ZP2 45/60/64/130/134	1
12	P1GX115798	PLUG,HEX,20M X1.5,W/NBR SEAL	5
13	P1GX115799	GAUGE,OIL,LVL,INDIC,M-20X1.5	1
14	P1GX70PLUG-SS	CLEAN OUT PLUG, SS - ZP1 & ZP2 45/60/64/130/134	4
	<i>P1GX70PLUG</i>	<i>CLEAN OUT PLUG, YELLOW - ZP1 & ZP2 45/60/64/130/134</i>	4
16	P1GXBD0092001	GREASE FITTING, THREADED 1/4"-28 TAPER, SS	8
17	P1SX070110000	GEAR CASE BASE, SS - ZP1 & ZP2 45/60/64/130/134	1
18	P1GX60SHCSGCB	SHCS, G. CASE BASE, (18-8 SS) 1/2-13 X 1.5" ZP1 & ZP2 60/130	4
19	P2GX107242	STUD, ZP2 45	8
	<i>P2GX111584</i>	<i>STUD, JACKETED COVER, ZP2 45</i>	8
20	P1GXCD0116000	UPPER DOWEL BUSHING - ZP1 & ZP2 45/60/64/130/134/180/220/224	1
21	P1GX124584	DOWEL PIN - ZP1 & ZP2 45/60/64/130/134	1
22	P1GXCD0116100	LOWER DOWEL BUSHING - ZP1 & ZP2 45/60/64/130/134/180/220/224	1
23	P1GX124586	DOWEL PIN - ZP1 & ZP2 45/60/64/130/134	1
24	P1SX070CEGUARD	GUARD,45-134,(CE),GC,SS	2
25	P1GXEYEBOLT-SS	EYE BOLT,60-224,SS	2



Exploded View

Optional Items Shown in ITALICS

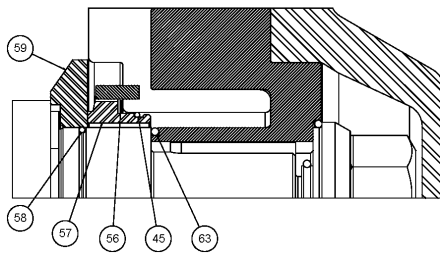
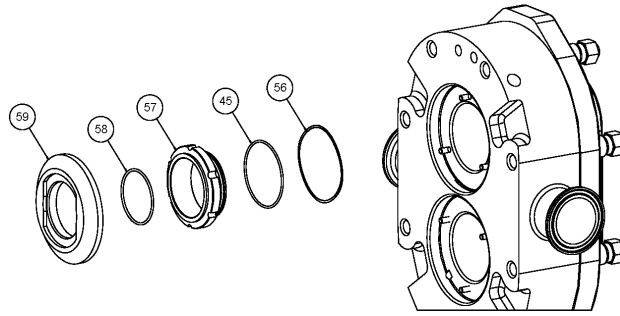
Ref #	Component Item No.	Description	Qty Per
26	P1GX000CENAIL	DRIVENAIL,ZP,GEAR CASE GUARDS	4
27	P1GX107187	GEAR TO REAR BEARING SPACER - ZP1 & ZP2 45/60/64/130/134	2
28	P1GX107186	REAR BEARING - ZP1 & ZP2 45/60/64/130/134	2
29	P1GX060055003	BEARING SPACER - ZP1 & ZP2 45/60/64/130/134	2
30	P1GX117891	SHIM KIT - ZP1 & ZP2 45/60/64/130/134	2
31	P1GX060036000	FRONT BEARING - ZP1 & ZP2 45/60/64/130/134	2
32	P1GX000037003	DRIVE KEY, 3/8" SQ. X 1-5/8" - ZP1 & ZP2 45/60/64/130/134	1
33	P2SX110021	DRIVE SHAFT (17-4PH) - ZP2 45	1
34	P2SX110022	SHORT SHAFT (17-4PH) - ZP2 45	1
35	P2SX110926	ROTOR KEY - ZP2 45	2
36	P1SX121828	BEARING RETAINER, NEW STYLE 3A - ZP1 & ZP2 60/64/130/134	2
37	P2GX101829	BEARING RETAINER GREASE SEAL - ZP2 45/60/64/130/134	2
39	P2BDY045001000	BODY - ZP2 45	1
	<i>P2BDY045001F00</i>	<i>BODY - ZP2 45 - FLUSHED</i>	1
40	P2GX101720	STOP PIN,SEAL - ZP2 45/60/64/130/134/180/220/224	6
42	P1GX124582	DOWEL PIN - ZP1 & ZP2 45/60/64/130/134	1
43	P1GX124583	DOWEL PIN - ZP1 & ZP2 45/60/64/130/134	1
44	P1GX30-615	CAPSCRW,SH,5/16-18X2-1/2,18-8S SCKT HD	2
45	N70035	O-RING, INNER SEAL (BUNA) - ZP2 45/60/64/130/134	2
	<i>E70035</i>	<i>O-RING, INNER SEAL (EPDM) - ZP2 45/60/64/130/134</i>	2
	<i>V70035</i>	<i>O-RING, INNER SEAL (VITON) - ZP2 45/60/64/130/134</i>	2
46	P2RTB045010000	ROTOR TWIN BLADE - ZP2 45 (STD) - ALLOY 88	2
	<i>P2RTB04501000H</i>	<i>ROTOR TWIN BLADE - ZP2 45 (STD) - ALLOY 88 - HOT CLEARANCE</i>	2
	<i>P2RTB045010200</i>	<i>ROTOR TWIN BLADE - ZP2 45 (STD) - 316L</i>	2
47	N70227	O-RING, ROTOR NUT (BUNA) - ZP2 45/60/64/130/134	2
	<i>E70227</i>	<i>O-RING, ROTOR NUT (EPDM) - ZP2 45/60/64/130/134</i>	2
	<i>V70227</i>	<i>O-RING, ROTOR NUT (VITON) - ZP2 45/60/64/130/134</i>	2



Exploded View

Optional Items Shown in ITALICS

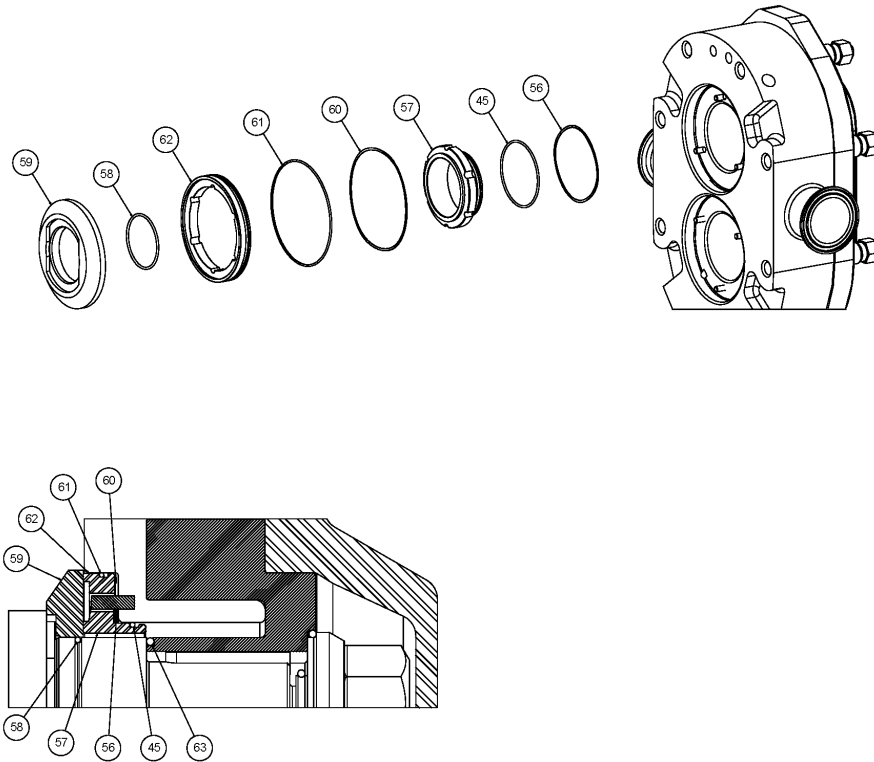
Ref #	Component Item No.	Description	Qty Per
48	N70119	O-RING, RETAINER (BUNA) - ZP2 45/60/64/130/134	2
	<i>E70119</i>	<i>O-RING, RETAINER (EPDM) - ZP2 45/60/64/130/134</i>	<i>2</i>
	<i>V70119</i>	<i>O-RING, RETAINER (VITON) - ZP2 45/60/64/130/134</i>	<i>2</i>
49	P2GX101693	BELLEVILLE WASHER, SS - ZP2 45/60/64/130/134	2
50	P2SX101806	ROTOR NUT - ZP2 45/60/64/130/134	2
51	N70373	O-RING, COVER (BUNA) - ZP2 45/60/64/130/134	1
	<i>E70373</i>	<i>O-RING, COVER (EPDM) - ZP2 45/60/64/130/134</i>	<i>1</i>
	<i>V70373</i>	<i>O-RING, COVER (VITON) - ZP2 45/60/64/130/134</i>	<i>1</i>
52	P2CVR101848	COVER - ZP2 45/60/64/130/134	1
	<i>P2CVR107668</i>	<i>COVER, JACKETED - ZP2 45/60/64/130/134</i>	<i>1</i>
53	P1SX108371	COVER HEX NUT - ZP1 & ZP2 45/60/64/130/134	8
	<i>P1GX105852</i>	<i>WING NUT - ZP1 & ZP2 45/60/64/130/134</i>	<i>8</i>
55	P2SX070SPATE	BEARING RETAINER SPLASH PLATE - ZP2 45/60/64/130/134	2
900	P1GXAD0096001	PICK,COMBO,O-RING ZP1 ZP2	1
901	P1GX000140003	OIL,460FG,MAGNAPLT,1GAL ZP	1
902	P1GX000140002	GREASE,HALO GUARD,14OZ TUBE ZP	1
903	P1GXRTVSEAL	SILICONE,DOW,732,30Z ZP1 ZP2	1



Single Mechanical Seal

Optional Items Shown in ITALICS

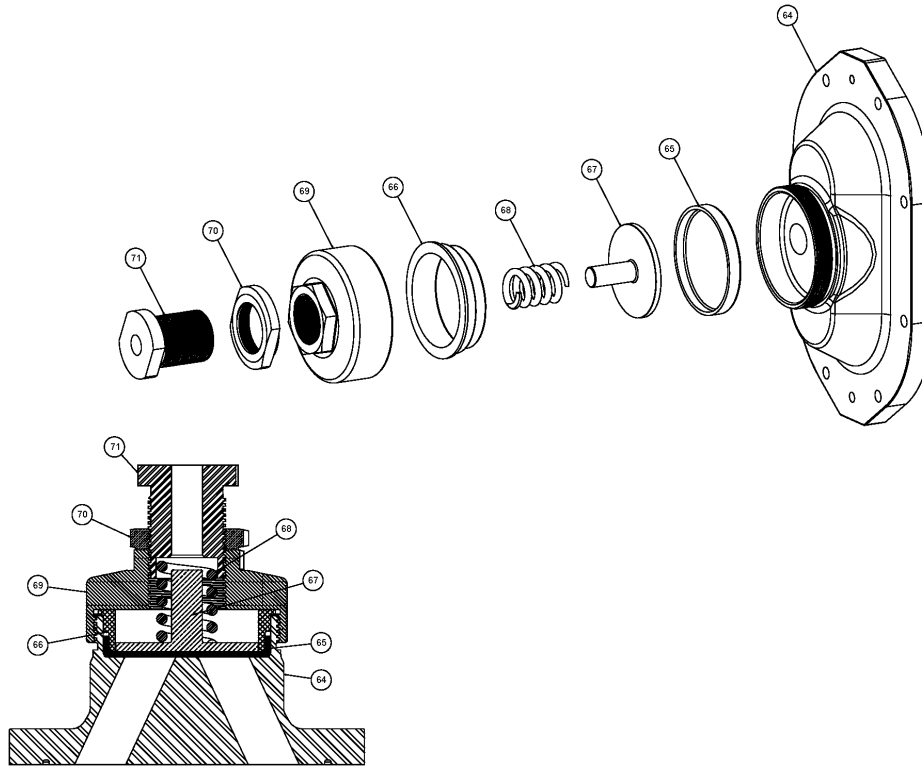
Ref #	Component Item No.	Description	Qty Per
45	N70035	O-RING, INNER SEAL (BUNA) - ZP2 45/60/64/130/134	2
	<i>E70035</i>	<i>O-RING, INNER SEAL (EPDM) - ZP2 45/60/64/130/134</i>	2
	<i>V70035</i>	<i>O-RING, INNER SEAL (VITON) - ZP2 45/60/64/130/134</i>	2
56	P2GS101687	INNER SEAL WAVE SPRING - ZP2 45/60/64/130/134	2
57	P2GS101660	INNER SEAL (K) - ZP2 45/60/64/130/134	2
	<i>P2GS101661</i>	<i>INNER SEAL (C) ZP2 45/60/64/130/134</i>	2
	<i>P2GS101659</i>	<i>INNER SEAL (N) - ZP2 45/60/64/130/134</i>	2
58	N70133	O-RING, SHAFT (BUNA) - ZP2 45/60/64/130/134	2
	<i>E70133</i>	<i>O-RING, SHAFT (EPDM) - ZP2 45/60/64/130/134</i>	2
	<i>V70133</i>	<i>O-RING, SHAFT (VITON) - ZP2 45/60/64/130/134</i>	2
59	P2GS101674	SEAL SEAT (C) ZP2 45/60/64/130/134	2
	<i>P2GS101673</i>	<i>SEAL SEAT (K) ZP2 45/60/64/130/134</i>	2
63	N70224	O-RING, ROTOR HUB (BUNA) - ZP2 45/60/64/130/134	2
	<i>E70224</i>	<i>O-RING, ROTOR HUB (EPDM) - ZP2 45/60/64/130/134</i>	2
	<i>V70224</i>	<i>O-RING, ROTOR HUB (VITON) - ZP2 45/60/64/130/134</i>	2



Double Mechanical Seal

Optional Items Shown in ITALICS

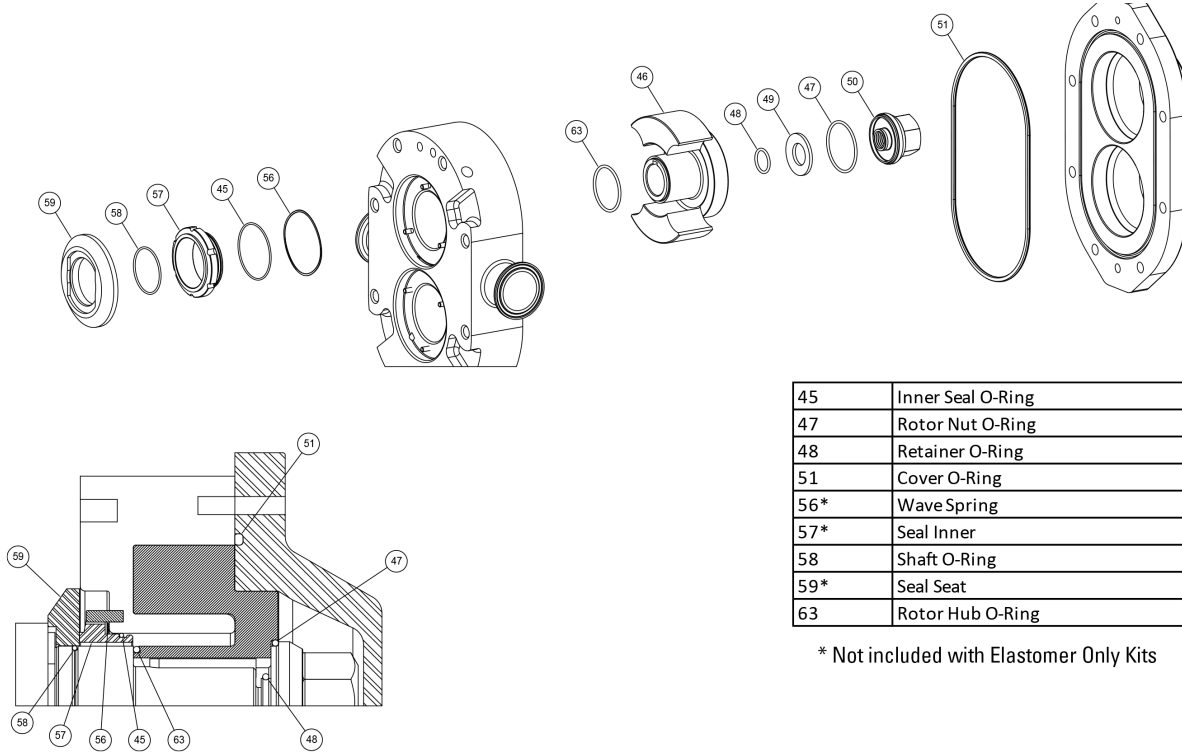
Ref #	Component Item No.	Description	Qty Per
45	N70035	O-RING, INNER SEAL (BUNA) - ZP2 45/60/64/130/134	2
	<i>E70035</i>	<i>O-RING, INNER SEAL (EPDM) - ZP2 45/60/64/130/134</i>	2
	<i>V70035</i>	<i>O-RING, INNER SEAL (VITON) - ZP2 45/60/64/130/134</i>	2
56	P2GS101687	INNER SEAL WAVE SPRING - ZP2 45/60/64/130/134	2
57	P2GS101660	INNER SEAL (K) - ZP2 45/60/64/130/134	2
	<i>P2GS101661</i>	<i>INNER SEAL (C) ZP2 45/60/64/130/134</i>	2
	<i>P2GS101659</i>	<i>INNER SEAL (N) - ZP2 45/60/64/130/134</i>	2
58	N70133	O-RING, SHAFT (BUNA) - ZP2 45/60/64/130/134	2
	<i>E70133</i>	<i>O-RING, SHAFT (EPDM) - ZP2 45/60/64/130/134</i>	2
	<i>V70133</i>	<i>O-RING, SHAFT (VITON) - ZP2 45/60/64/130/134</i>	2
59	P2GS101674	SEAL SEAT (C) ZP2 45/60/64/130/134	2
	<i>P2GS101673</i>	<i>SEAL SEAT (K) ZP2 45/60/64/130/134</i>	2
60	P2GS101688	OUTER SEAL WAVE SPRING - ZP2 45/60/64/130/134	2
61	N70043	O-RING, OUTER SEAL (BUNA) - ZP2 45/60/64/130/134	2
	<i>E70043</i>	<i>O-RING, OUTER SEAL (EPDM) - ZP2 45/60/64/130/134</i>	2
	<i>V70043</i>	<i>O-RING, OUTER SEAL (VITON) - ZP2 45/60/64/130/134</i>	2
62	P2GS101681	OUTER SEAL (N) ZP2 45/60/64/130/134	2
63	N70224	O-RING, ROTOR HUB (BUNA) - ZP2 45/60/64/130/134	2
	<i>E70224</i>	<i>O-RING, ROTOR HUB (EPDM) - ZP2 45/60/64/130/134</i>	2
	<i>V70224</i>	<i>O-RING, ROTOR HUB (VITON) - ZP2 45/60/64/130/134</i>	2



Pressure Relief Cover

Optional Items Shown in ITALICS

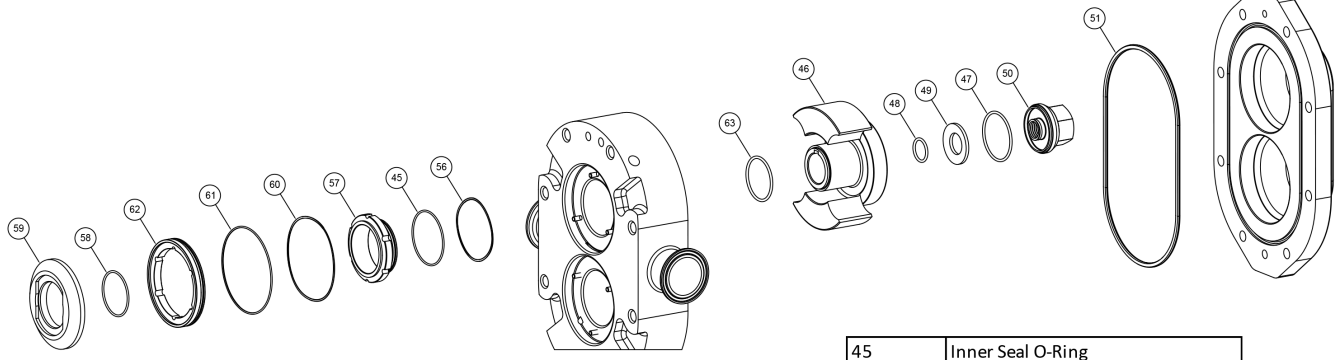
Ref #	Component Item No.	Description	Qty Per
64	P2CVR103671	VENTED FRONT COVER, ZP2 - 45/60/64/130/134	1
65	P1GXCD0078000	RUBBER DIAPHRAGM, BUNA, ZP1 & ZP2 & ZP3 - 60/64/130/134	1
	<i>P1GXCD0078E00</i>	<i>RUBBER DIAPHRAGM, EPDM, ZP1 & ZP2 & ZP3 - 60/64/130/134</i>	1
	<i>P1GXCD0078V00</i>	<i>RUBBER DIAPHRAGM, VITON, ZP1 & ZP2 & ZP3 - 60/64/130/134</i>	1
66	P1SXCD0077000	DIAPHRAGM BUSHING, ZP1 & ZP2 & ZP3 - 60/64/130/134	1
67	P1SX113397	SPRING PLUNGER, ZP1 & ZP2 & ZP3 - 60/64/130/134	1
68	P1SX113523	SPRING, MEDIUM, (LESS THAN 150 PSI), ZP1 & ZP2 & ZP3 - 60/64/130/134	1
	<i>P1SX113400</i>	<i>SPRING, HIGH, (MORE THAN 150 PSI), ZP1 & ZP2 & ZP3 - 60/64/130/134</i>	1
69	P1SX113398	COVER NUT, ZP1 & ZP2 & ZP3 - 60/64/130/134	1
70	P1SXGD0074000	LOCKNUT, ZP1 & ZP2 & ZP3 - 60/64/130/134/180/184/220/224	1
71	P1SX113657	ADJUSTING SCREW, ZP1 & ZP2 & ZP3 - 60/64/130/134/180/184/220/224	1



Single Mechanical Seal Kit

Optional Items Shown in ITALICS

Ref #	Component Item No.	Description	Qty Per
1	P2GX060000-N	SEAL KIT, SGL MECH, ELASTOMERS ONLY, BUNA - ZP2 45/60/64/130/134	1
	<i>P2GX060000-E</i>	<i>SEAL KIT, SGL MECH, ELASTOMERS ONLY, EPDM - ZP2 45/60/64/130/134</i>	<i>1</i>
	<i>P2GX060000-V</i>	<i>SEAL KIT, SGL MECH, ELASTOMERS ONLY, VITON - ZP2 45/60/64/130/134</i>	<i>1</i>
2	P2GS060000-N	SEAL KIT, SGL MECH, SC/CA, BUNA - ZP2 45/60/64/130/134	1
	<i>P2GS060000-E</i>	<i>SEAL KIT, SGL MECH, SC/CA, EPDM - ZP2 45/60/64/130/134</i>	<i>1</i>
	<i>P2GS060000-V</i>	<i>SEAL KIT, SGL MECH, SC/CA, VITON - ZP2 45/60/64/130/134</i>	<i>1</i>
3	P2GS060020-N	SEAL KIT, SGL MECH, CE/CA, BUNA - ZP2 45/60/64/130/134	1
	<i>P2GS060020-E</i>	<i>SEAL KIT, SGL MECH, CE/CA, EPDM - ZP2 45/60/64/130/134</i>	<i>1</i>
	<i>P2GS060020-V</i>	<i>SEAL KIT, SGL MECH, CE/CA, VITON - ZP2 45/60/64/130/134</i>	<i>1</i>
4	<i>P2GS060030-V</i>	<i>SEAL KIT, SGL MECH, CE/CE, VITON - ZP2 45/60/64/130/134</i>	<i>1</i>
5	P2GS060010-N	SEAL KIT, SGL MECH, SC/SC, BUNA - ZP2 45/60/64/130/134	1
	<i>P2GS060010-E</i>	<i>SEAL KIT, SGL MECH, SC/SC, EPDM - ZP2 45/60/64/130/134</i>	<i>1</i>
	<i>P2GS060010-V</i>	<i>SEAL KIT, SGL MECH, SC/SC, VITON - ZP2 45/60/64/130/134</i>	<i>1</i>
49	P2GX101693	BELLEVILLE WASHER, SS - ZP2 45/60/64/130/134	2
50	P2SX101806	ROTOR NUT - ZP2 45/60/64/130/134	2



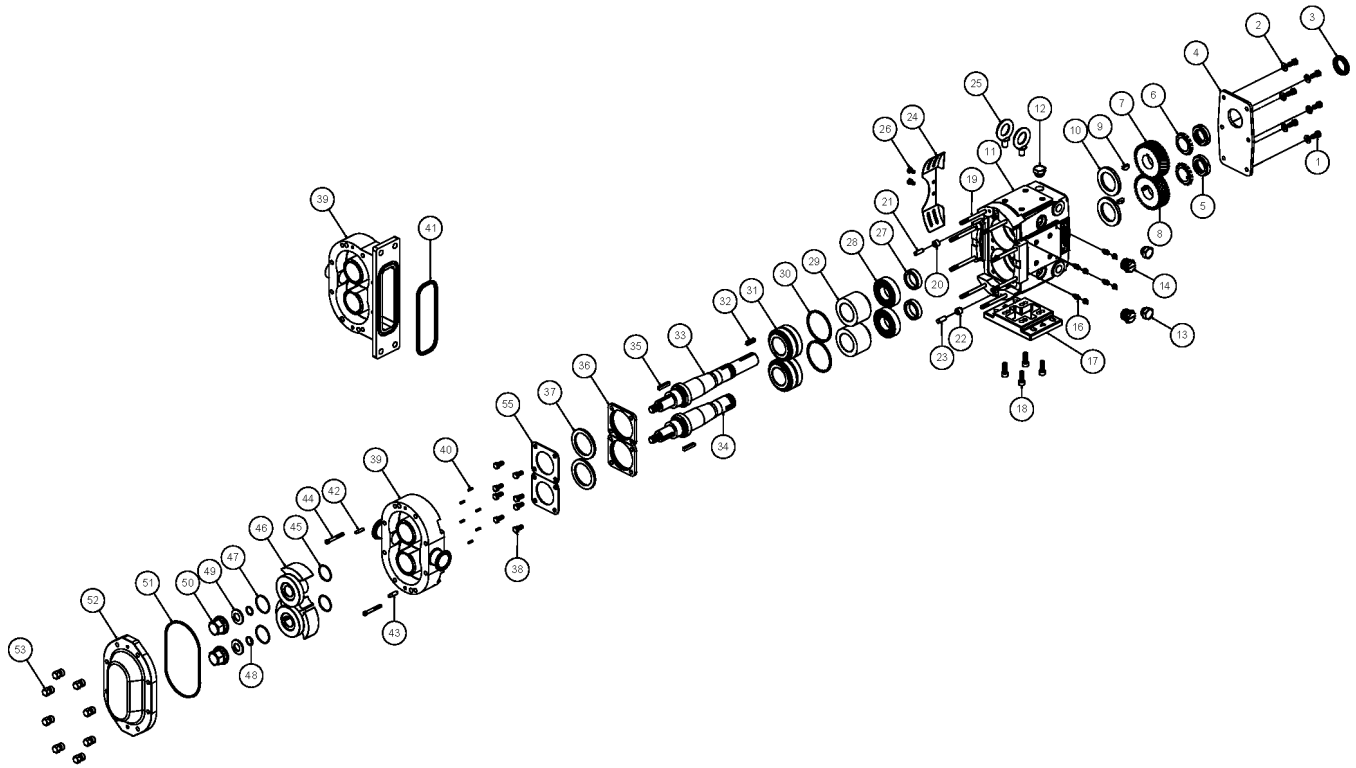
45	Inner Seal O-Ring
47	Rotor Nut O-Ring
48	Retainer O-Ring
51	Cover O-Ring
58	Shaft O-Ring
60*	Outer Seal Wave Spring
61	Outer Seal O-Ring
62*	Outer Seal
63	Rotor Hub O-Ring
56*	Wave Spring
57*	Seal Inner
59*	Seal Seat

* Not included with Elastomer Only Kits

Double Mechanical Seal Kit

Optional Items Shown in ITALICS

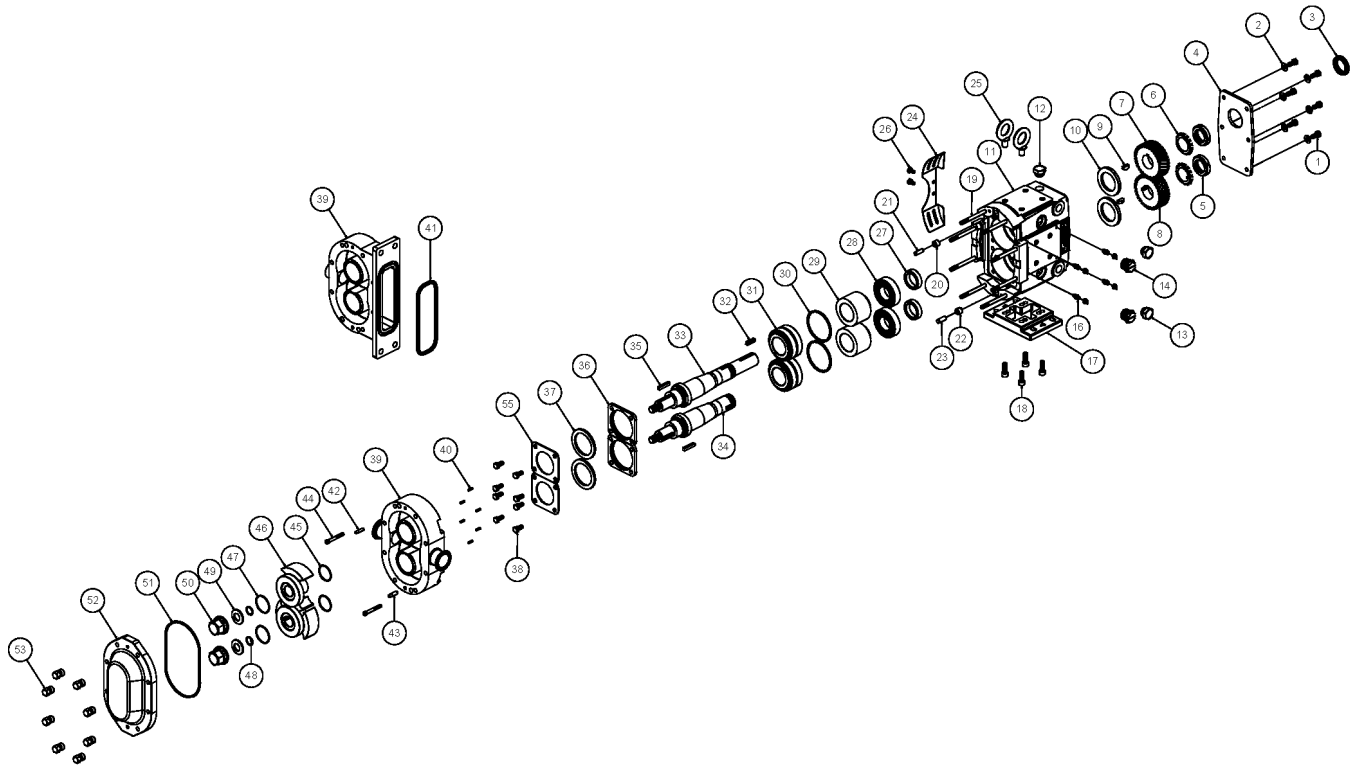
Ref #	Component Item No.	Description	Qty Per
1	P2GX060200-N	SEAL KIT, DBL MECH, ELASTOMERS ONLY, BUNA - ZP2 45/60/64/130/134	1
	<i>P2GX060200-E</i>	<i>SEAL KIT, DBL MECH, ELASTOMERS ONLY, EPDM - ZP2 45/60/64/130/134</i>	<i>1</i>
	<i>P2GX060200-V</i>	<i>SEAL KIT, DBL MECH, ELASTOMERS ONLY, VITON - ZP2 45/60/64/130/134</i>	<i>1</i>
2	P2GS060200-N	SEAL KIT, DBL MECH, SC/CA/CA, BUNA - ZP2 45/60/64/130/134	1
	<i>P2GS060200-E</i>	<i>SEAL KIT, DBL MECH, SC/CA/CA, EPDM - ZP2 45/60/64/130/134</i>	<i>1</i>
	<i>P2GS060200-V</i>	<i>SEAL KIT, DBL MECH, SC/CA/CA, VITON - ZP2 45/60/64/130/134</i>	<i>1</i>
3	P2GS060220-N	SEAL KIT, DBL MECH, CE/CA/CA, BUNA - ZP2 45/60/64/130/134	1
	<i>P2GS060220-E</i>	<i>SEAL KIT, DBL MECH, CE/CA/CA, EPDM - ZP2 45/60/64/130/134</i>	<i>1</i>
	<i>P2GS060220-V</i>	<i>SEAL KIT, DBL MECH, CE/CA/CA, VITON - ZP2 45/60/64/130/134</i>	<i>1</i>
4	P2GS060230-N	SEAL KIT, DBL MECH, CE/CE/CA, BUNA - ZP2 45/60/64/130/134	1
5	P2GS060210-N	SEAL KIT, DBL MECH, SC/SC/CA, BUNA - ZP2 45/60/64/130/134	1
	<i>P2GS060210-E</i>	<i>SEAL KIT, DBL MECH, SC/SC/CA, EPDM - ZP2 45/60/64/130/134</i>	<i>1</i>
	<i>P2GS060210-V</i>	<i>SEAL KIT, DBL MECH, SC/SC/CA, VITON - ZP2 45/60/64/130/134</i>	<i>1</i>
49	P2GX101693	BELLEVILLE WASHER, SS - ZP2 45/60/64/130/134	2
50	P2SX101806	ROTOR NUT - ZP2 45/60/64/130/134	2



Exploded View

Optional Items Shown in ITALICS

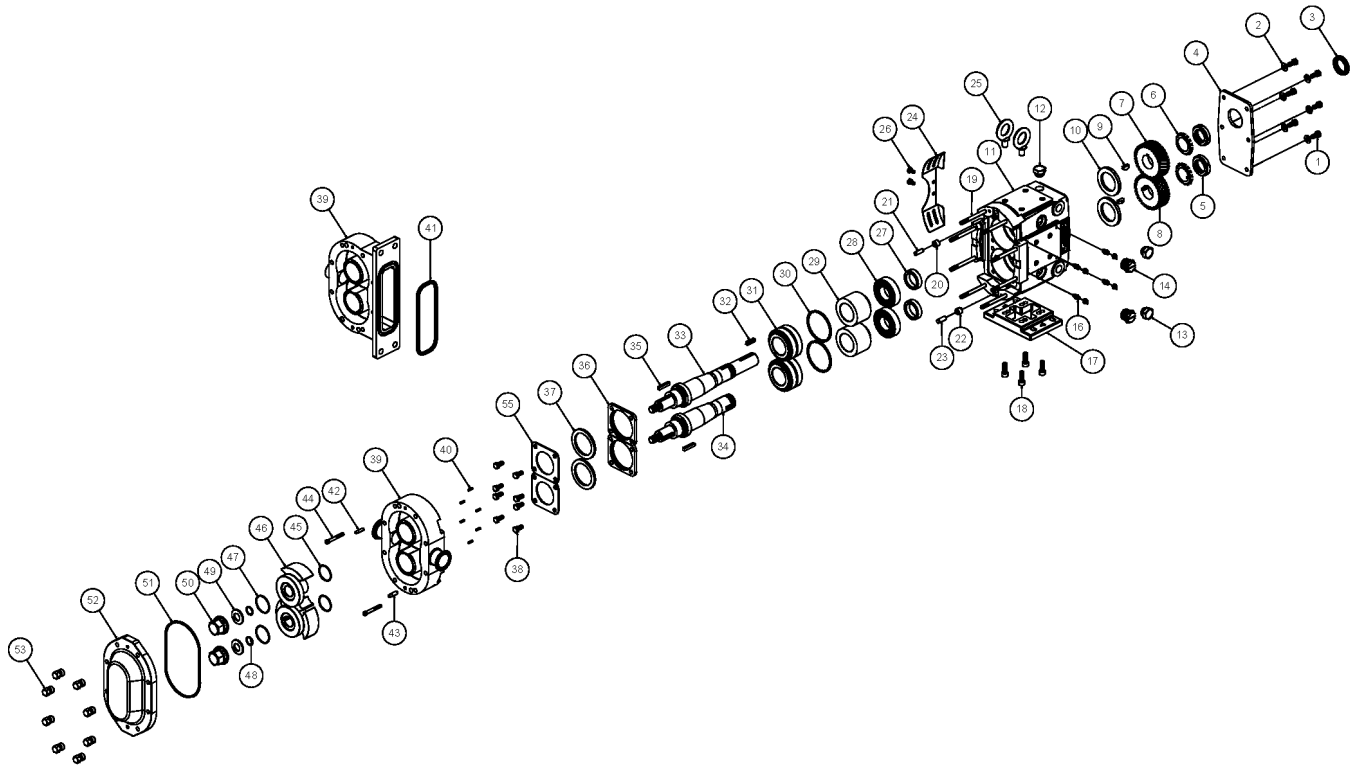
Ref #	Component Item No.	Description	Qty Per
1	P1GX30-50	GEAR CASE COVER BOLT - 3/8-16 X 3/4 HHCS (18-8 SS)	6
2	P1GX43-189	GEAR CASE COVER WASHER - 3/8 FLAT WASHER (18-8 SS)	6
3	P1GX000030012-ND	OIL SEAL, PTFE, GEAR CASE COVER - ZP1 & ZP2 45/60/64/130/134	1
	<i>P1GX000030012</i>	<i>OIL SEAL, GEAR CASE COVER - ZP1 & ZP2 45/60/64/130/134</i>	1
4	P1SX070106000	GEAR CASE COVER, SS - ZP1 & ZP2 45/60/64/130/134	1
5	P1GXSTD236009	GEAR LOCKNUT ZP1 & ZP2 45/60/64/130/134	2
6	P1GXSTD136009	GEAR LOCKWASHER ZP1 & ZP2 45/60/64/130/134	2
7	P1GX060007001	GEAR DRIVE SHAFT ZP1 & ZP2 45/60/64/130/134	1
8	P1GX060007002	GEAR SHORT SHAFT ZP1 & ZP2 45/60/64/130/134	1
9	P1GX060037000	GEAR KEY - ZP1 & ZP2 45/60/64/130/134	2
10	P1GX000030011	OIL SEAL REAR - ZP1 & ZP2 45/60/64/130/134	2
11	P1SX070005000	GEAR CASE, SS - ZP1 & ZP2 45/60/64/130/134	1
12	P1GX115798	PLUG,HEX,20M X1.5,W/NBR SEAL	5
13	P1GX115799	GAUGE,OIL,LVL,INDIC,M-20X1.5	1
14	P1GX70PLUG-SS	CLEAN OUT PLUG, SS - ZP1 & ZP2 45/60/64/130/134	4
	<i>P1GX70PLUG</i>	<i>CLEAN OUT PLUG, YELLOW - ZP1 & ZP2 45/60/64/130/134</i>	4
16	P1GXBD0092001	GREASE FITTING, THREADED 1/4"-28 TAPER, SS	8
17	P1SX070110000	GEAR CASE BASE, SS - ZP1 & ZP2 45/60/64/130/134	1
18	P1GX60SHCSGCB	SHCS, G. CASE BASE, (18-8 SS) 1/2-13 X 1.5" ZP1 & ZP2 60/130	4
19	P1GX108843	STUD, ZP2 60	8
	<i>P1GX108846</i>	<i>STUD, JACKETED COVER - ZP2 60</i>	8
20	P1GXCD0116000	UPPER DOWEL BUSHING - ZP1 & ZP2 45/60/64/130/134/180/220/224	1
21	P1GX124584	DOWEL PIN - ZP1 & ZP2 45/60/64/130/134	1
22	P1GXCD0116100	LOWER DOWEL BUSHING - ZP1 & ZP2 45/60/64/130/134/180/220/224	1
23	P1GX124586	DOWEL PIN - ZP1 & ZP2 45/60/64/130/134	1
24	P1SX070CEGUARD	GUARD,45-134,(CE),GC,SS	2
25	P1GXEYEBOLT-SS	EYE BOLT,60-224,SS	2



Exploded View

Optional Items Shown in ITALICS

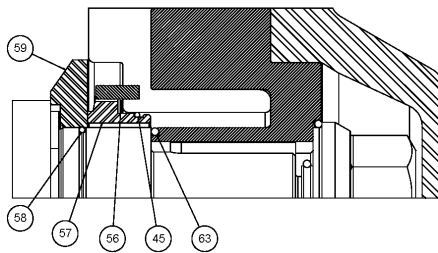
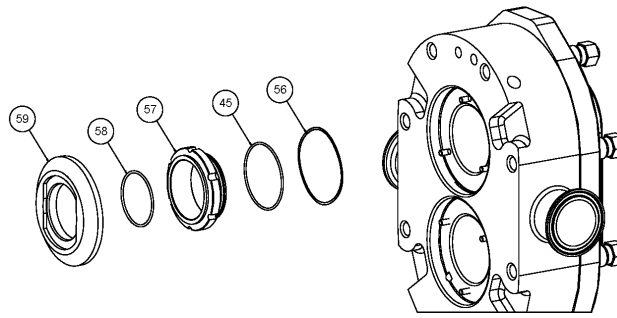
Ref #	Component Item No.	Description	Qty Per
26	P1GX000CENAIL	DRIVENAIL,ZP,GEAR CASE GUARDS	4
27	P1GX107187	GEAR TO REAR BEARING SPACER - ZP1 & ZP2 45/60/64/130/134	2
28	P1GX107186	REAR BEARING - ZP1 & ZP2 45/60/64/130/134	2
29	P1GX060055003	BEARING SPACER - ZP1 & ZP2 45/60/64/130/134	2
30	P1GX117891	SHIM KIT - ZP1 & ZP2 45/60/64/130/134	2
31	P1GX060036000	FRONT BEARING - ZP1 & ZP2 45/60/64/130/134	2
32	P1GX000037003	DRIVE KEY, 3/8" SQ. X 1-5/8" - ZP1 & ZP2 45/60/64/130/134	1
33	P2SX108411	DRIVE SHAFT (17-4PH) - ZP2 60/64	1
34	P2SX108412	SHORT SHAFT (17-4PH) - ZP2 60/64	1
35	P2SX101823	ROTOR KEY - ZP2 60/64	2
36	P1SX121828	BEARING RETAINER, NEW STYLE 3A - ZP1 & ZP2 60/64/130/134	2
37	P2GX101829	BEARING RETAINER GREASE SEAL - ZP2 45/60/64/130/134	2
39	P2BDY060001000	BODY - ZP2 60	1
	<i>P2BDY060001F00</i>	<i>BODY - ZP2 60 - FLUSHED</i>	1
40	P2GX101720	STOP PIN,SEAL - ZP2 45/60/64/130/134/180/220/224	6
42	P1GX124582	DOWEL PIN - ZP1 & ZP2 45/60/64/130/134	1
43	P1GX124583	DOWEL PIN - ZP1 & ZP2 45/60/64/130/134	1
44	P1GX30-319	CAPSCRW,SH,5/16-18X3,18-8SS SCKT HD	2
45	N70035	O-RING, INNER SEAL (BUNA) - ZP2 45/60/64/130/134	2
	<i>E70035</i>	<i>O-RING, INNER SEAL (EPDM) - ZP2 45/60/64/130/134</i>	2
	<i>V70035</i>	<i>O-RING, INNER SEAL (VITON) - ZP2 45/60/64/130/134</i>	2
46	P2RTB060010000	ROTOR TWIN BLADE - ZP2 60 (STD) - ALLOY 88	2
	<i>P2RTB06001000H</i>	<i>ROTOR TWIN BLADE - ZP2 60 (STD) - ALLOY 88 - HOT CLEARANCE</i>	2
	<i>P2RTB0600100HC</i>	<i>ROTOR TWIN BLADE - ZP2 60 (STD) - ALLOY 88 - HOT CHOCOLATE</i>	2
	<i>P2RTB060010200</i>	<i>ROTOR TWIN BLADE - ZP2 60 (STD) - 316L</i>	2
47	N70227	O-RING, ROTOR NUT (BUNA) - ZP2 45/60/64/130/134	2
	<i>E70227</i>	<i>O-RING, ROTOR NUT (EPDM) - ZP2 45/60/64/130/134</i>	2



Exploded View

Optional Items Shown in ITALICS

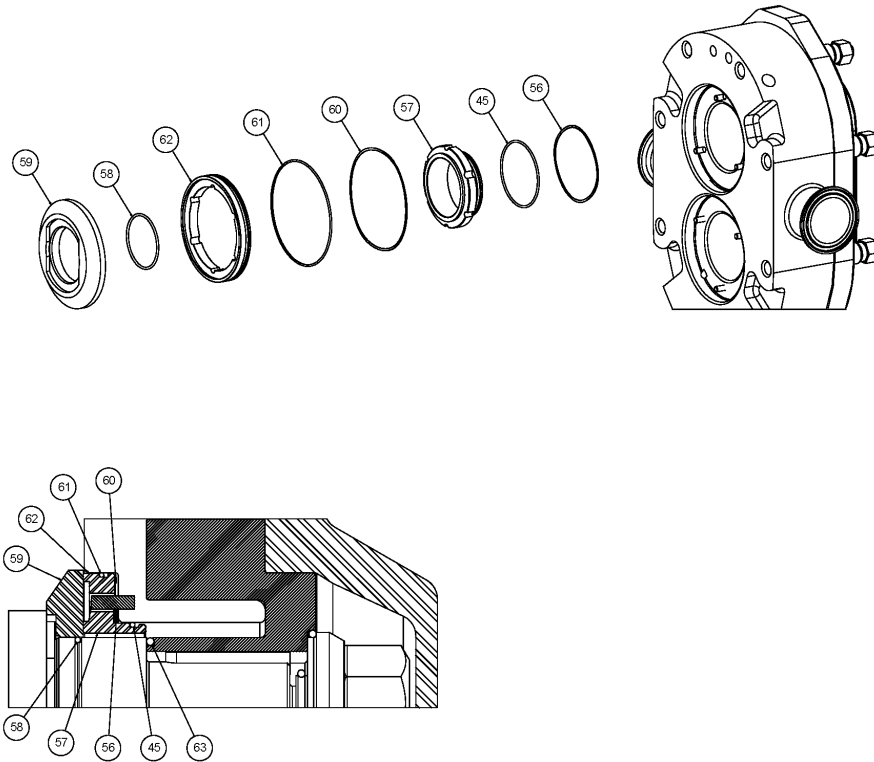
Ref #	Component Item No.	Description	Qty Per
47	V70227	O-RING, ROTOR NUT (VITON) - ZP2 45/60/64/130/134	2
48	N70119	O-RING, RETAINER (BUNA) - ZP2 45/60/64/130/134	2
	<i>E70119</i>	<i>O-RING, RETAINER (EPDM) - ZP2 45/60/64/130/134</i>	<i>2</i>
	<i>V70119</i>	<i>O-RING, RETAINER (VITON) - ZP2 45/60/64/130/134</i>	<i>2</i>
49	P2GX101693	BELLEVILLE WASHER, SS - ZP2 45/60/64/130/134	2
50	P2SX101806	ROTOR NUT - ZP2 45/60/64/130/134	2
51	N70373	O-RING, COVER (BUNA) - ZP2 45/60/64/130/134	1
	<i>E70373</i>	<i>O-RING, COVER (EPDM) - ZP2 45/60/64/130/134</i>	<i>1</i>
	<i>V70373</i>	<i>O-RING, COVER (VITON) - ZP2 45/60/64/130/134</i>	<i>1</i>
52	P2CVR101848	COVER - ZP2 45/60/64/130/134	1
	<i>P2CVR107668</i>	<i>COVER, JACKETED - ZP2 45/60/64/130/134</i>	<i>1</i>
53	P1SX108371	COVER HEX NUT - ZP1 & ZP2 45/60/64/130/134	8
	<i>P1GX105852</i>	<i>WING NUT - ZP1 & ZP2 45/60/64/130/134</i>	<i>8</i>
55	P2SX070SPATE	BEARING RETAINER SPLASH PLATE - ZP2 45/60/64/130/134	2
900	P1GXAD0096001	PICK,COMBO,O-RING ZP1 ZP2	1
901	P1GX000140003	OIL,460FG,MAGNAPLT,1GAL ZP	1
902	P1GX000140002	GREASE,HALO GUARD,14OZ TUBE ZP	1
903	P1GXRTVSEAL	SILICONE,DOW,732,30Z ZP1 ZP2	1



Single Mechanical Seal

Optional Items Shown in ITALICS

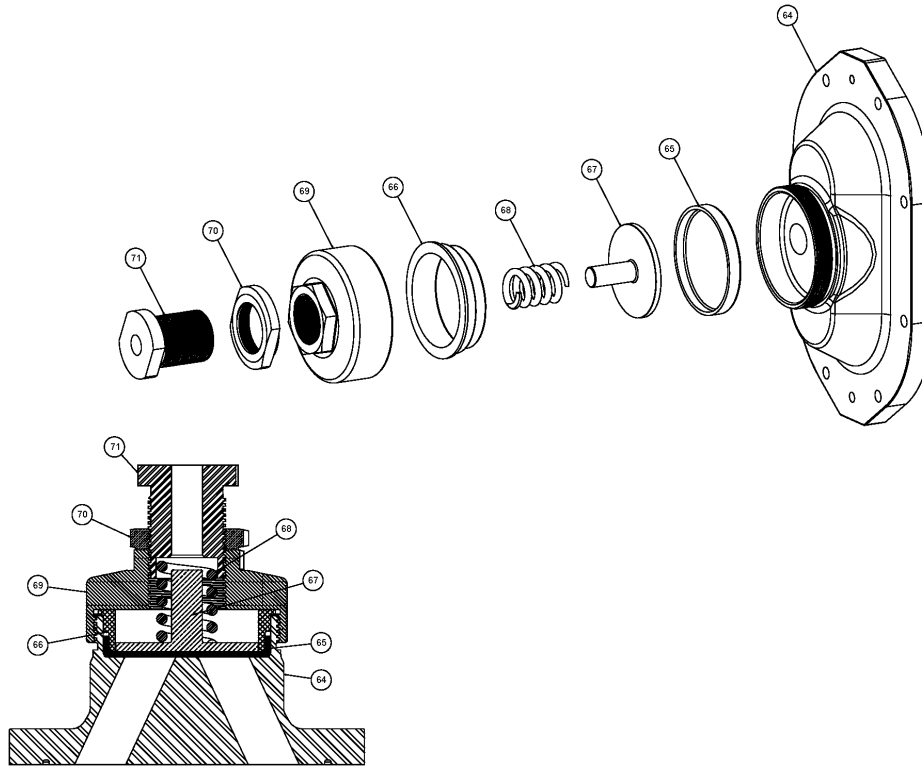
Ref #	Component Item No.	Description	Qty Per
45	N70035	O-RING, INNER SEAL (BUNA) - ZP2 45/60/64/130/134	2
	<i>E70035</i>	<i>O-RING, INNER SEAL (EPDM) - ZP2 45/60/64/130/134</i>	2
	<i>V70035</i>	<i>O-RING, INNER SEAL (VITON) - ZP2 45/60/64/130/134</i>	2
56	P2GS101687	INNER SEAL WAVE SPRING - ZP2 45/60/64/130/134	2
57	P2GS101660	INNER SEAL (K) - ZP2 45/60/64/130/134	2
	<i>P2GS101661</i>	<i>INNER SEAL (C) ZP2 45/60/64/130/134</i>	2
	<i>P2GS101659</i>	<i>INNER SEAL (N) - ZP2 45/60/64/130/134</i>	2
58	N70133	O-RING, SHAFT (BUNA) - ZP2 45/60/64/130/134	2
	<i>E70133</i>	<i>O-RING, SHAFT (EPDM) - ZP2 45/60/64/130/134</i>	2
	<i>V70133</i>	<i>O-RING, SHAFT (VITON) - ZP2 45/60/64/130/134</i>	2
59	P2GS101674	SEAL SEAT (C) ZP2 45/60/64/130/134	2
	<i>P2GS101673</i>	<i>SEAL SEAT (K) ZP2 45/60/64/130/134</i>	2
63	N70224	O-RING, ROTOR HUB (BUNA) - ZP2 45/60/64/130/134	2
	<i>E70224</i>	<i>O-RING, ROTOR HUB (EPDM) - ZP2 45/60/64/130/134</i>	2
	<i>V70224</i>	<i>O-RING, ROTOR HUB (VITON) - ZP2 45/60/64/130/134</i>	2



Double Mechanical Seal

Optional Items Shown in ITALICS

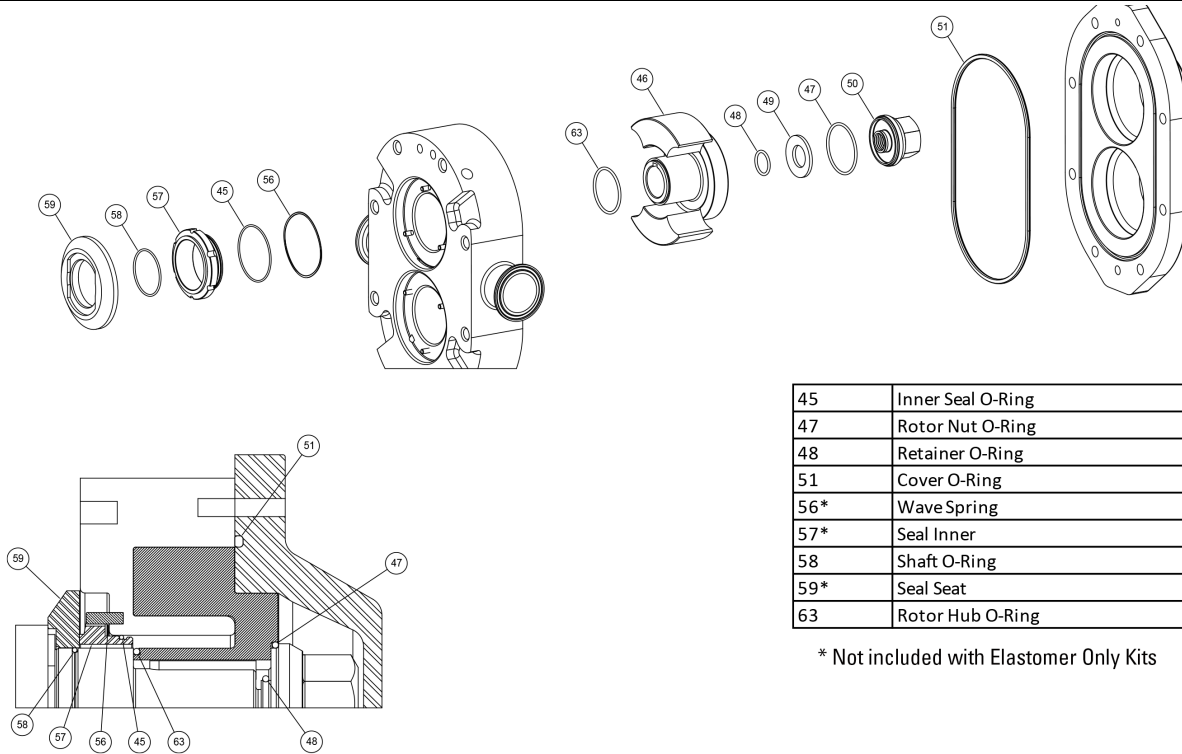
Ref #	Component Item No.	Description	Qty Per
45	N70035	O-RING, INNER SEAL (BUNA) - ZP2 45/60/64/130/134	2
	<i>E70035</i>	<i>O-RING, INNER SEAL (EPDM) - ZP2 45/60/64/130/134</i>	2
	<i>V70035</i>	<i>O-RING, INNER SEAL (VITON) - ZP2 45/60/64/130/134</i>	2
56	P2GS101687	INNER SEAL WAVE SPRING - ZP2 45/60/64/130/134	2
57	P2GS101660	INNER SEAL (K) - ZP2 45/60/64/130/134	2
	<i>P2GS101661</i>	<i>INNER SEAL (C) ZP2 45/60/64/130/134</i>	2
	<i>P2GS101659</i>	<i>INNER SEAL (N) - ZP2 45/60/64/130/134</i>	2
58	N70133	O-RING, SHAFT (BUNA) - ZP2 45/60/64/130/134	2
	<i>E70133</i>	<i>O-RING, SHAFT (EPDM) - ZP2 45/60/64/130/134</i>	2
	<i>V70133</i>	<i>O-RING, SHAFT (VITON) - ZP2 45/60/64/130/134</i>	2
59	P2GS101674	SEAL SEAT (C) ZP2 45/60/64/130/134	2
	<i>P2GS101673</i>	<i>SEAL SEAT (K) ZP2 45/60/64/130/134</i>	2
60	P2GS101688	OUTER SEAL WAVE SPRING - ZP2 45/60/64/130/134	2
61	N70043	O-RING, OUTER SEAL (BUNA) - ZP2 45/60/64/130/134	2
	<i>E70043</i>	<i>O-RING, OUTER SEAL (EPDM) - ZP2 45/60/64/130/134</i>	2
	<i>V70043</i>	<i>O-RING, OUTER SEAL (VITON) - ZP2 45/60/64/130/134</i>	2
62	P2GS101681	OUTER SEAL (N) ZP2 45/60/64/130/134	2
63	N70224	O-RING, ROTOR HUB (BUNA) - ZP2 45/60/64/130/134	2
	<i>E70224</i>	<i>O-RING, ROTOR HUB (EPDM) - ZP2 45/60/64/130/134</i>	2
	<i>V70224</i>	<i>O-RING, ROTOR HUB (VITON) - ZP2 45/60/64/130/134</i>	2



Pressure Relief Cover

Optional Items Shown in ITALICS

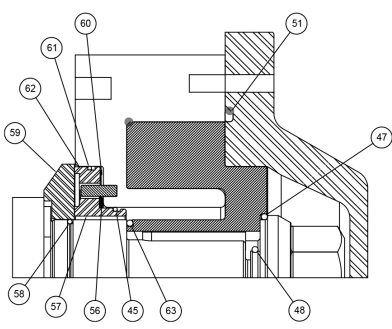
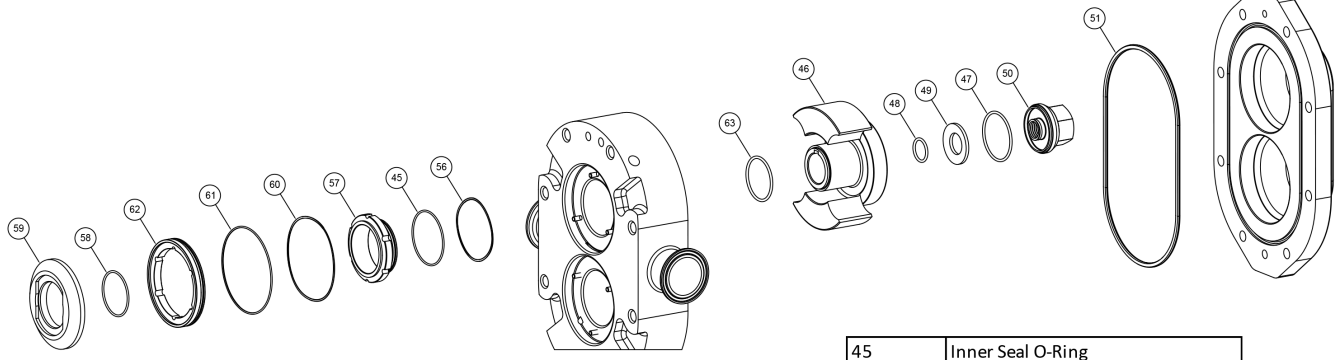
Ref #	Component Item No.	Description	Qty Per
64	P2CVR103671	VENTED FRONT COVER, ZP2 - 45/60/64/130/134	1
65	P1GXCD0078000	RUBBER DIAPHRAGM, BUNA, ZP1 & ZP2 & ZP3 - 60/64/130/134	1
	<i>P1GXCD0078E00</i>	<i>RUBBER DIAPHRAGM, EPDM, ZP1 & ZP2 & ZP3 - 60/64/130/134</i>	1
	<i>P1GXCD0078V00</i>	<i>RUBBER DIAPHRAGM, VITON, ZP1 & ZP2 & ZP3 - 60/64/130/134</i>	1
66	P1SXCD0077000	DIAPHRAGM BUSHING, ZP1 & ZP2 & ZP3 - 60/64/130/134	1
67	P1SX113397	SPRING PLUNGER, ZP1 & ZP2 & ZP3 - 60/64/130/134	1
68	P1SX113523	SPRING, MEDIUM, (LESS THAN 150 PSI), ZP1 & ZP2 & ZP3 - 60/64/130/134	1
	<i>P1SX113400</i>	<i>SPRING, HIGH, (MORE THAN 150 PSI), ZP1 & ZP2 & ZP3 - 60/64/130/134</i>	1
69	P1SX113398	COVER NUT, ZP1 & ZP2 & ZP3 - 60/64/130/134	1
70	P1SXGD0074000	LOCKNUT, ZP1 & ZP2 & ZP3 - 60/64/130/134/180/184/220/224	1
71	P1SX113657	ADJUSTING SCREW, ZP1 & ZP2 & ZP3 - 60/64/130/134/180/184/220/224	1



Single Mechanical Seal Kit

Optional Items Shown in ITALICS

Ref #	Component Item No.	Description	Qty Per
1	P2GX060000-N	SEAL KIT, SGL MECH, ELASTOMERS ONLY, BUNA - ZP2 45/60/64/130/134	1
	<i>P2GX060000-E</i>	<i>SEAL KIT, SGL MECH, ELASTOMERS ONLY, EPDM - ZP2 45/60/64/130/134</i>	<i>1</i>
	<i>P2GX060000-V</i>	<i>SEAL KIT, SGL MECH, ELASTOMERS ONLY, VITON - ZP2 45/60/64/130/134</i>	<i>1</i>
2	P2GS060000-N	SEAL KIT, SGL MECH, SC/CA, BUNA - ZP2 45/60/64/130/134	1
	<i>P2GS060000-E</i>	<i>SEAL KIT, SGL MECH, SC/CA, EPDM - ZP2 45/60/64/130/134</i>	<i>1</i>
	<i>P2GS060000-V</i>	<i>SEAL KIT, SGL MECH, SC/CA, VITON - ZP2 45/60/64/130/134</i>	<i>1</i>
3	P2GS060020-N	SEAL KIT, SGL MECH, CE/CA, BUNA - ZP2 45/60/64/130/134	1
	<i>P2GS060020-E</i>	<i>SEAL KIT, SGL MECH, CE/CA, EPDM - ZP2 45/60/64/130/134</i>	<i>1</i>
	<i>P2GS060020-V</i>	<i>SEAL KIT, SGL MECH, CE/CA, VITON - ZP2 45/60/64/130/134</i>	<i>1</i>
4	<i>P2GS060030-V</i>	<i>SEAL KIT, SGL MECH, CE/CE, VITON - ZP2 45/60/64/130/134</i>	<i>1</i>
5	P2GS060010-N	SEAL KIT, SGL MECH, SC/SC, BUNA - ZP2 45/60/64/130/134	1
	<i>P2GS060010-E</i>	<i>SEAL KIT, SGL MECH, SC/SC, EPDM - ZP2 45/60/64/130/134</i>	<i>1</i>
	<i>P2GS060010-V</i>	<i>SEAL KIT, SGL MECH, SC/SC, VITON - ZP2 45/60/64/130/134</i>	<i>1</i>
49	P2GX101693	BELLEVILLE WASHER, SS - ZP2 45/60/64/130/134	2
50	P2SX101806	ROTOR NUT - ZP2 45/60/64/130/134	2



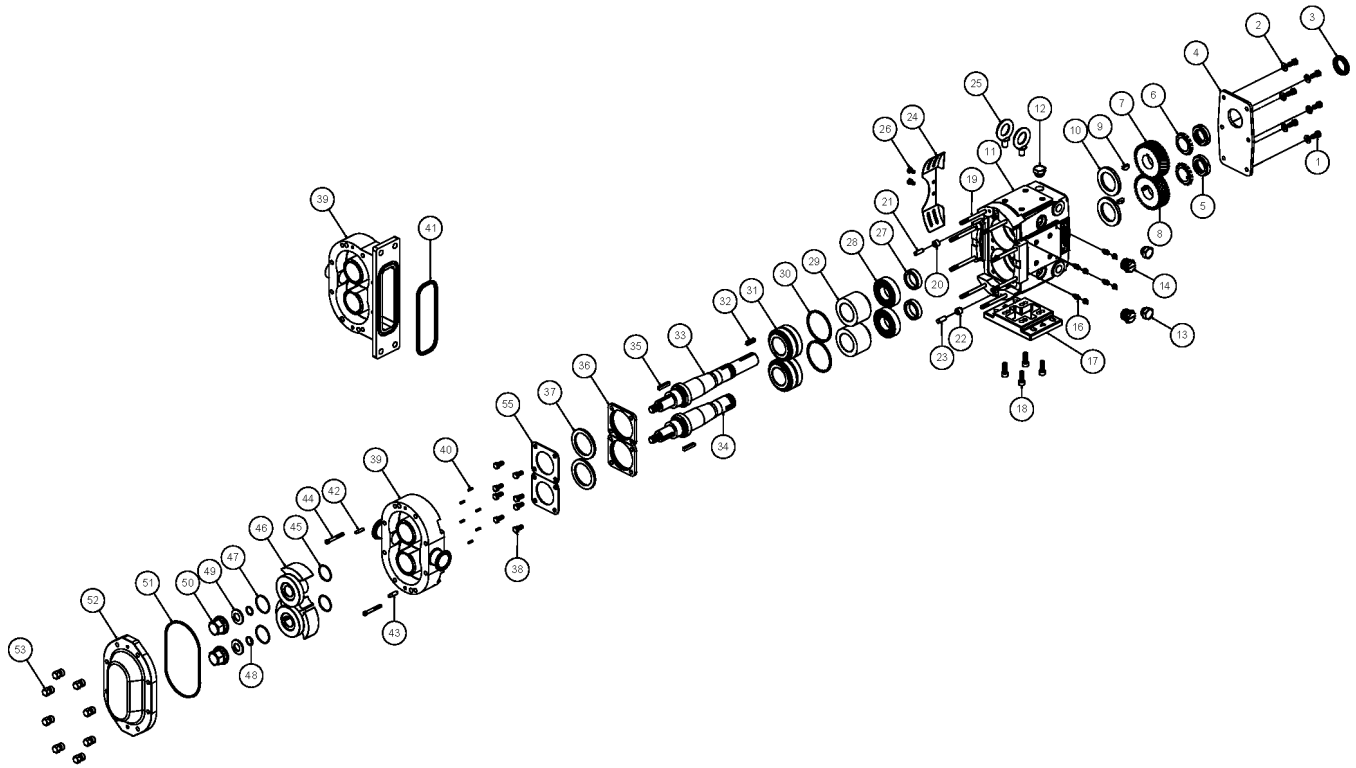
45	Inner Seal O-Ring
47	Rotor Nut O-Ring
48	Retainer O-Ring
51	Cover O-Ring
58	Shaft O-Ring
60*	Outer Seal Wave Spring
61	Outer Seal O-Ring
62*	Outer Seal
63	Rotor Hub O-Ring
56*	Wave Spring
57*	Seal Inner
59*	Seal Seat

* Not included with Elastomer Only Kits

Double Mechanical Seal Kit

Optional Items Shown in ITALICS

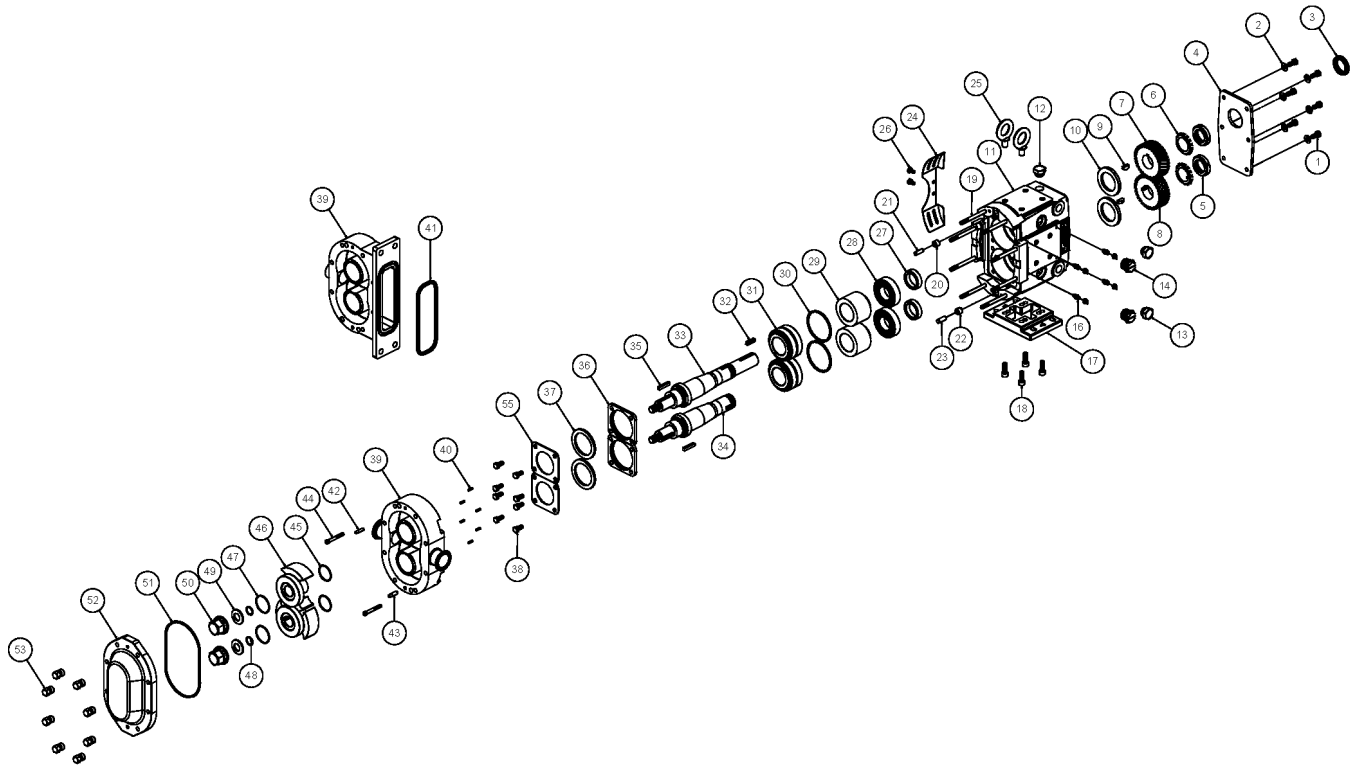
Ref #	Component Item No.	Description	Qty Per
1	P2GX060200-N	SEAL KIT, DBL MECH, ELASTOMERS ONLY, BUNA - ZP2 45/60/64/130/134	1
	<i>P2GX060200-E</i>	<i>SEAL KIT, DBL MECH, ELASTOMERS ONLY, EPDM - ZP2 45/60/64/130/134</i>	<i>1</i>
	<i>P2GX060200-V</i>	<i>SEAL KIT, DBL MECH, ELASTOMERS ONLY, VITON - ZP2 45/60/64/130/134</i>	<i>1</i>
2	P2GS060200-N	SEAL KIT, DBL MECH, SC/CA/CA, BUNA - ZP2 45/60/64/130/134	1
	<i>P2GS060200-E</i>	<i>SEAL KIT, DBL MECH, SC/CA/CA, EPDM - ZP2 45/60/64/130/134</i>	<i>1</i>
	<i>P2GS060200-V</i>	<i>SEAL KIT, DBL MECH, SC/CA/CA, VITON - ZP2 45/60/64/130/134</i>	<i>1</i>
3	P2GS060220-N	SEAL KIT, DBL MECH, CE/CA/CA, BUNA - ZP2 45/60/64/130/134	1
	<i>P2GS060220-E</i>	<i>SEAL KIT, DBL MECH, CE/CA/CA, EPDM - ZP2 45/60/64/130/134</i>	<i>1</i>
	<i>P2GS060220-V</i>	<i>SEAL KIT, DBL MECH, CE/CA/CA, VITON - ZP2 45/60/64/130/134</i>	<i>1</i>
4	P2GS060230-N	SEAL KIT, DBL MECH, CE/CE/CA, BUNA - ZP2 45/60/64/130/134	1
5	P2GS060210-N	SEAL KIT, DBL MECH, SC/SC/CA, BUNA - ZP2 45/60/64/130/134	1
	<i>P2GS060210-E</i>	<i>SEAL KIT, DBL MECH, SC/SC/CA, EPDM - ZP2 45/60/64/130/134</i>	<i>1</i>
	<i>P2GS060210-V</i>	<i>SEAL KIT, DBL MECH, SC/SC/CA, VITON - ZP2 45/60/64/130/134</i>	<i>1</i>
49	P2GX101693	BELLEVILLE WASHER, SS - ZP2 45/60/64/130/134	2
50	P2SX101806	ROTOR NUT - ZP2 45/60/64/130/134	2



Exploded View

Optional Items Shown in ITALICS

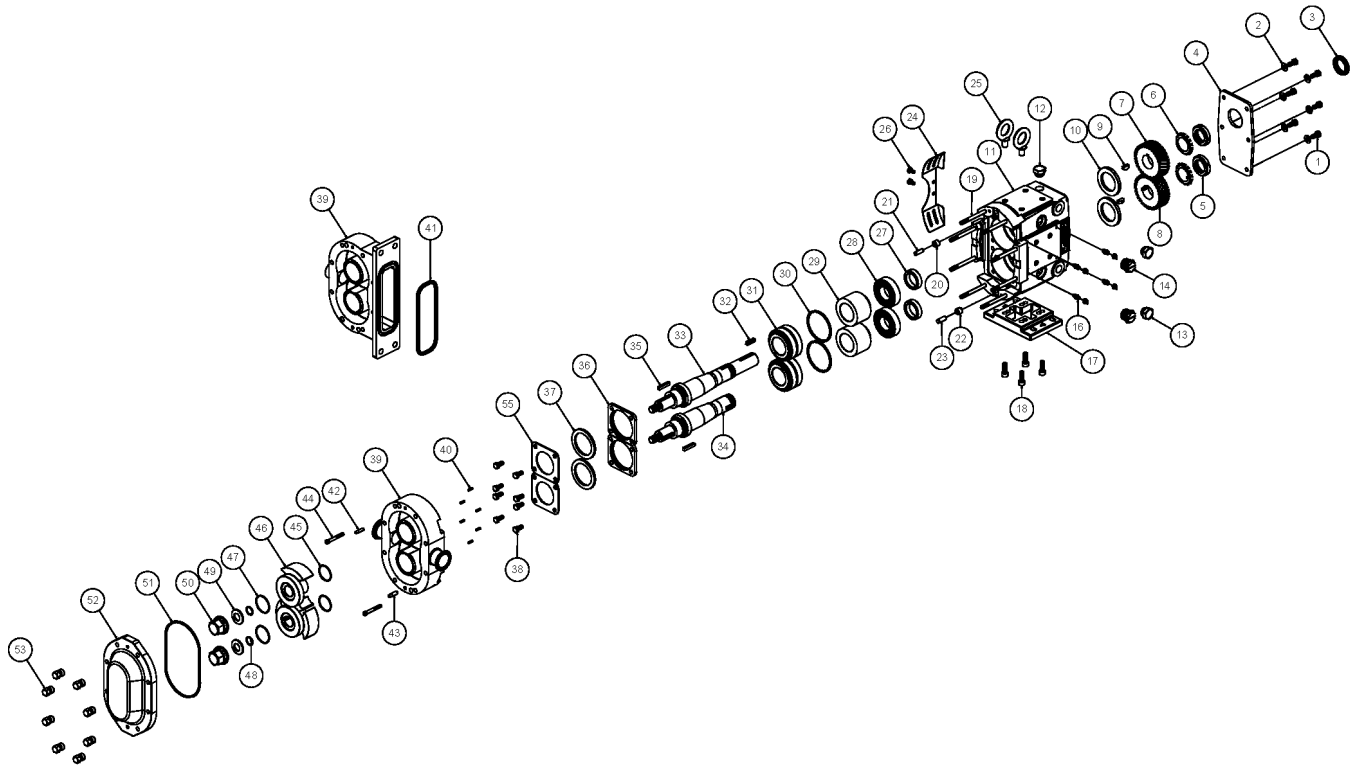
Ref #	Component Item No.	Description	Qty Per
1	P1GX30-50	GEAR CASE COVER BOLT - 3/8-16 X 3/4 HHCS (18-8 SS)	6
2	P1GX43-189	GEAR CASE COVER WASHER - 3/8 FLAT WASHER (18-8 SS)	6
3	P1GX000030012-ND	OIL SEAL, PTFE, GEAR CASE COVER - ZP1 & ZP2 45/60/64/130/134	1
	<i>P1GX000030012</i>	<i>OIL SEAL, GEAR CASE COVER - ZP1 & ZP2 45/60/64/130/134</i>	1
4	P1SX070106000	GEAR CASE COVER, SS - ZP1 & ZP2 45/60/64/130/134	1
5	P1GXSTD236009	GEAR LOCKNUT ZP1 & ZP2 45/60/64/130/134	2
6	P1GXSTD136009	GEAR LOCKWASHER ZP1 & ZP2 45/60/64/130/134	2
7	P1GX060007001	GEAR DRIVE SHAFT ZP1 & ZP2 45/60/64/130/134	1
8	P1GX060007002	GEAR SHORT SHAFT ZP1 & ZP2 45/60/64/130/134	1
9	P1GX060037000	GEAR KEY - ZP1 & ZP2 45/60/64/130/134	2
10	P1GX000030011	OIL SEAL REAR - ZP1 & ZP2 45/60/64/130/134	2
11	P1SX070005000	GEAR CASE, SS - ZP1 & ZP2 45/60/64/130/134	1
12	P1GX115798	PLUG,HEX,20M X1.5,W/NBR SEAL	5
13	P1GX115799	GAUGE,OIL,LVL,INDIC,M-20X1.5	1
14	P1GX70PLUG-SS	CLEAN OUT PLUG, SS - ZP1 & ZP2 45/60/64/130/134	4
	<i>P1GX70PLUG</i>	<i>CLEAN OUT PLUG, YELLOW - ZP1 & ZP2 45/60/64/130/134</i>	4
16	P1GXBD0092001	GREASE FITTING, THREADED 1/4"-28 TAPER, SS	8
17	P1SX070110000	GEAR CASE BASE, SS - ZP1 & ZP2 45/60/64/130/134	1
18	P1GX60SHCSGCB	SHCS, G. CASE BASE, (18-8 SS) 1/2-13 X 1.5" ZP1 & ZP2 60/130	4
19	P1GX0C1050000	STUD, SHORT, ZP2 64	2
	P1GX108843	STUD, ZP2 64	6
	<i>P1GX108846</i>	<i>STUD, JACKETED COVER, ZP2 64</i>	6
	<i>P1GX35556</i>	<i>STUD, SHORT, JACKETED COVER, ZP2 64</i>	2
20	P1GXCD0116000	UPPER DOWEL BUSHING - ZP1 & ZP2 45/60/64/130/134/180/220/224	1
21	P1GX124584	DOWEL PIN - ZP1 & ZP2 45/60/64/130/134	1
22	P1GXCD0116100	LOWER DOWEL BUSHING - ZP1 & ZP2 45/60/64/130/134/180/220/224	1
23	P1GX124586	DOWEL PIN - ZP1 & ZP2 45/60/64/130/134	1



Exploded View

Optional Items Shown in ITALICS

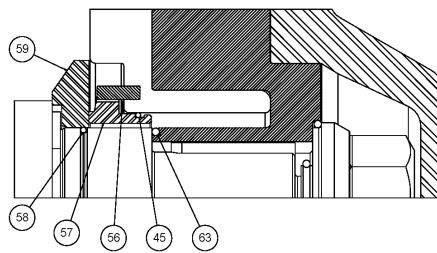
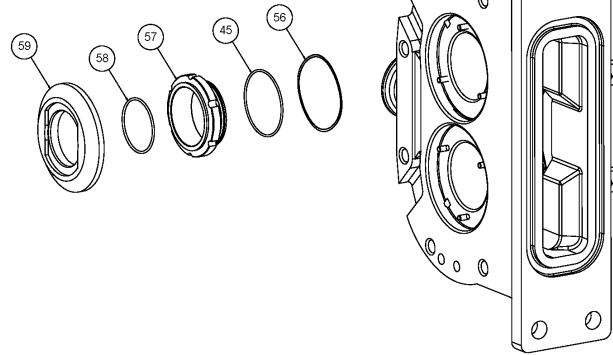
Ref #	Component Item No.	Description	Qty Per
24	P1SX070CEGUARD	GUARD,45-134,(CE),GC,SS	2
25	P1GXEYEBOLT-SS	EYE BOLT,60-224,SS	2
26	P1GX000CENAIL	DRIVENAIL,ZP,GEAR CASE GUARDS	4
27	P1GX107187	GEAR TO REAR BEARING SPACER - ZP1 & ZP2 45/60/64/130/134	2
28	P1GX107186	REAR BEARING - ZP1 & ZP2 45/60/64/130/134	2
29	P1GX060055003	BEARING SPACER - ZP1 & ZP2 45/60/64/130/134	2
30	P1GX117891	SHIM KIT - ZP1 & ZP2 45/60/64/130/134	2
31	P1GX060036000	FRONT BEARING - ZP1 & ZP2 45/60/64/130/134	2
32	P1GX000037003	DRIVE KEY, 3/8" SQ. X 1-5/8" - ZP1 & ZP2 45/60/64/130/134	1
33	P2SX108411	DRIVE SHAFT (17-4PH) - ZP2 60/64	1
34	P2SX108412	SHORT SHAFT (17-4PH) - ZP2 60/64	1
35	P2SX101823	ROTOR KEY - ZP2 60/64	2
36	P1SX121828	BEARING RETAINER, NEW STYLE 3A - ZP1 & ZP2 60/64/130/134	2
37	P2GX101829	BEARING RETAINER GREASE SEAL - ZP2 45/60/64/130/134	2
39	P2BDY064001000	BODY - ZP2 64	1
	<i>P2BDY064001F00</i>	<i>BODY - ZP2 64 - FLUSHED</i>	1
40	P2GX101720	STOP PIN,SEAL - ZP2 45/60/64/130/134/180/220/224	6
41	N70366	O-RING, RECTANGULAR FLANGE (BUNA) - ZP1 & ZP2 64	1
	<i>E70366</i>	<i>O-RING, RECTANGULAR FLANGE (EPDM) - ZP1 & ZP2 64</i>	1
	<i>V70366</i>	<i>O-RING, RECTANGULAR FLANGE (VITON) - ZP1 & ZP2 64</i>	1
42	P1GX124582	DOWEL PIN - ZP1 & ZP2 45/60/64/130/134	1
43	P1GX124583	DOWEL PIN - ZP1 & ZP2 45/60/64/130/134	1
44	P1GX30-319	CAPSCRW,SH,5/16-18X3,18-8SS SCKT HD	2
45	N70035	O-RING, INNER SEAL (BUNA) - ZP2 45/60/64/130/134	2
	<i>E70035</i>	<i>O-RING, INNER SEAL (EPDM) - ZP2 45/60/64/130/134</i>	2
	<i>V70035</i>	<i>O-RING, INNER SEAL (VITON) - ZP2 45/60/64/130/134</i>	2
46	P2RTB060010000	ROTOR TWIN BLADE - ZP2 60 (STD) - ALLOY 88	2



Exploded View

Optional Items Shown in ITALICS

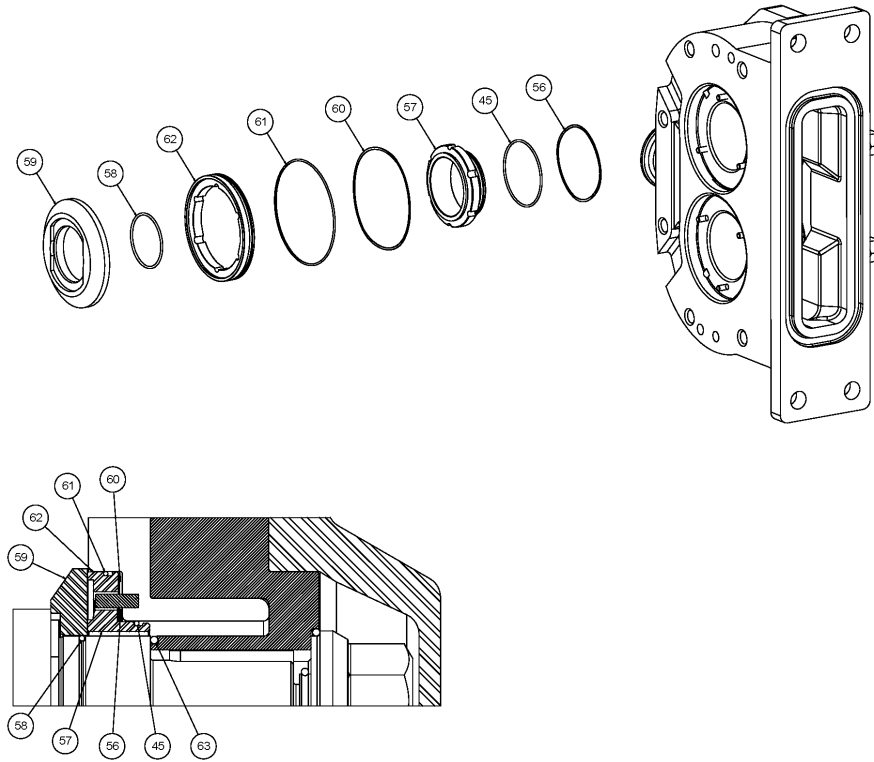
Ref #	Component Item No.	Description	Qty Per
46	<i>P2RTB06001000H</i>	<i>ROTOR TWIN BLADE - ZP2 60 (STD) - ALLOY 88 - HOT CLEARANCE</i>	2
	<i>P2RTB0600100HC</i>	<i>ROTOR TWIN BLADE - ZP2 60 (STD) - ALLOY 88 - HOT CHOCOLATE</i>	2
	<i>P2RTB060010200</i>	<i>ROTOR TWIN BLADE - ZP2 60 (STD) - 316L</i>	2
47	N70227	O-RING, ROTOR NUT (BUNA) - ZP2 45/60/64/130/134	2
	<i>E70227</i>	<i>O-RING, ROTOR NUT (EPDM) - ZP2 45/60/64/130/134</i>	2
	<i>V70227</i>	<i>O-RING, ROTOR NUT (VITON) - ZP2 45/60/64/130/134</i>	2
48	N70119	O-RING, RETAINER (BUNA) - ZP2 45/60/64/130/134	2
	<i>E70119</i>	<i>O-RING, RETAINER (EPDM) - ZP2 45/60/64/130/134</i>	2
	<i>V70119</i>	<i>O-RING, RETAINER (VITON) - ZP2 45/60/64/130/134</i>	2
49	P2GX101693	BELLEVILLE WASHER, SS - ZP2 45/60/64/130/134	2
50	P2SX101806	ROTOR NUT - ZP2 45/60/64/130/134	2
51	N70373	O-RING, COVER (BUNA) - ZP2 45/60/64/130/134	1
	<i>E70373</i>	<i>O-RING, COVER (EPDM) - ZP2 45/60/64/130/134</i>	1
	<i>V70373</i>	<i>O-RING, COVER (VITON) - ZP2 45/60/64/130/134</i>	1
52	P2CVR101848	COVER - ZP2 45/60/64/130/134	1
	<i>P2CVR107668</i>	<i>COVER, JACKETED - ZP2 45/60/64/130/134</i>	1
53	P1SX108371	COVER HEX NUT - ZP1 & ZP2 45/60/64/130/134	8
	<i>P1GX105852</i>	<i>WING NUT - ZP1 & ZP2 45/60/64/130/134</i>	8
55	P2SX070SPATE	BEARING RETAINER SPLASH PLATE - ZP2 45/60/64/130/134	2
900	P1GXAD0096001	PICK,COMBO,O-RING ZP1 ZP2	1
901	P1GX000140003	OIL,460FG,MAGNAPLT,1GAL ZP	1
902	P1GX000140002	GREASE,HALO GUARD,14OZ TUBE ZP	1
903	P1GXRTVSEAL	SILICONE,DOW,732,30Z ZP1 ZP2	1



Single Mechanical Seal

Optional Items Shown in ITALICS

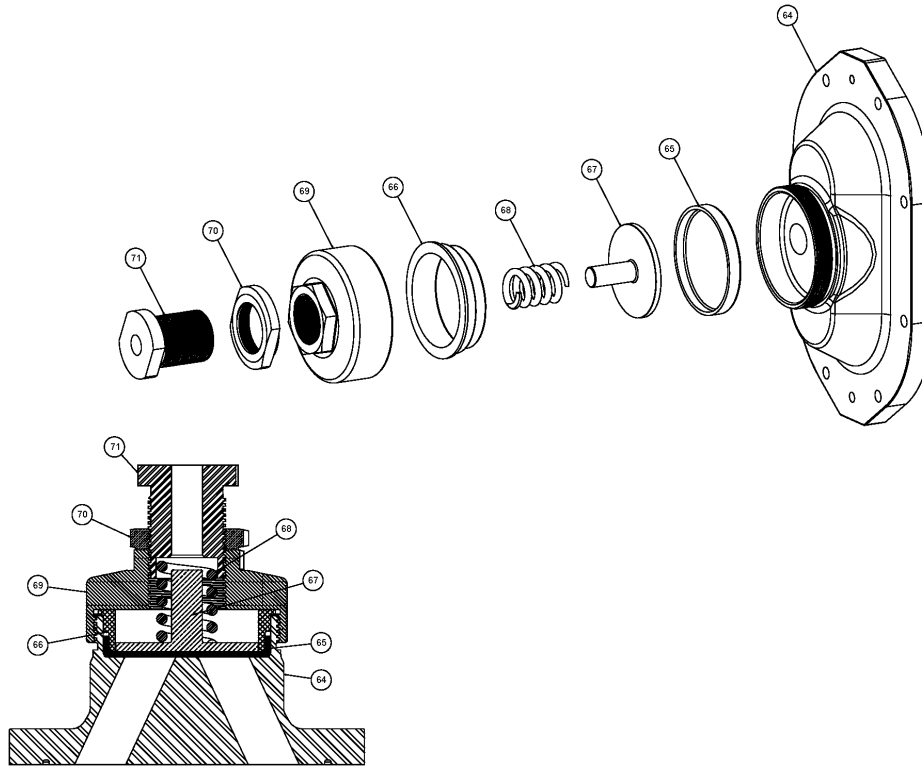
Ref #	Component Item No.	Description	Qty Per
45	N70035	O-RING, INNER SEAL (BUNA) - ZP2 45/60/64/130/134	2
	<i>E70035</i>	<i>O-RING, INNER SEAL (EPDM) - ZP2 45/60/64/130/134</i>	2
	<i>V70035</i>	<i>O-RING, INNER SEAL (VITON) - ZP2 45/60/64/130/134</i>	2
56	P2GS101687	INNER SEAL WAVE SPRING - ZP2 45/60/64/130/134	2
57	P2GS101660	INNER SEAL (K) - ZP2 45/60/64/130/134	2
	<i>P2GS101661</i>	<i>INNER SEAL (C) ZP2 45/60/64/130/134</i>	2
	<i>P2GS101659</i>	<i>INNER SEAL (N) - ZP2 45/60/64/130/134</i>	2
58	N70133	O-RING, SHAFT (BUNA) - ZP2 45/60/64/130/134	2
	<i>E70133</i>	<i>O-RING, SHAFT (EPDM) - ZP2 45/60/64/130/134</i>	2
	<i>V70133</i>	<i>O-RING, SHAFT (VITON) - ZP2 45/60/64/130/134</i>	2
59	P2GS101674	SEAL SEAT (C) ZP2 45/60/64/130/134	2
	<i>P2GS101673</i>	<i>SEAL SEAT (K) ZP2 45/60/64/130/134</i>	2
63	N70224	O-RING, ROTOR HUB (BUNA) - ZP2 45/60/64/130/134	2
	<i>E70224</i>	<i>O-RING, ROTOR HUB (EPDM) - ZP2 45/60/64/130/134</i>	2
	<i>V70224</i>	<i>O-RING, ROTOR HUB (VITON) - ZP2 45/60/64/130/134</i>	2



Double Mechanical Seal

Optional Items Shown in ITALICS

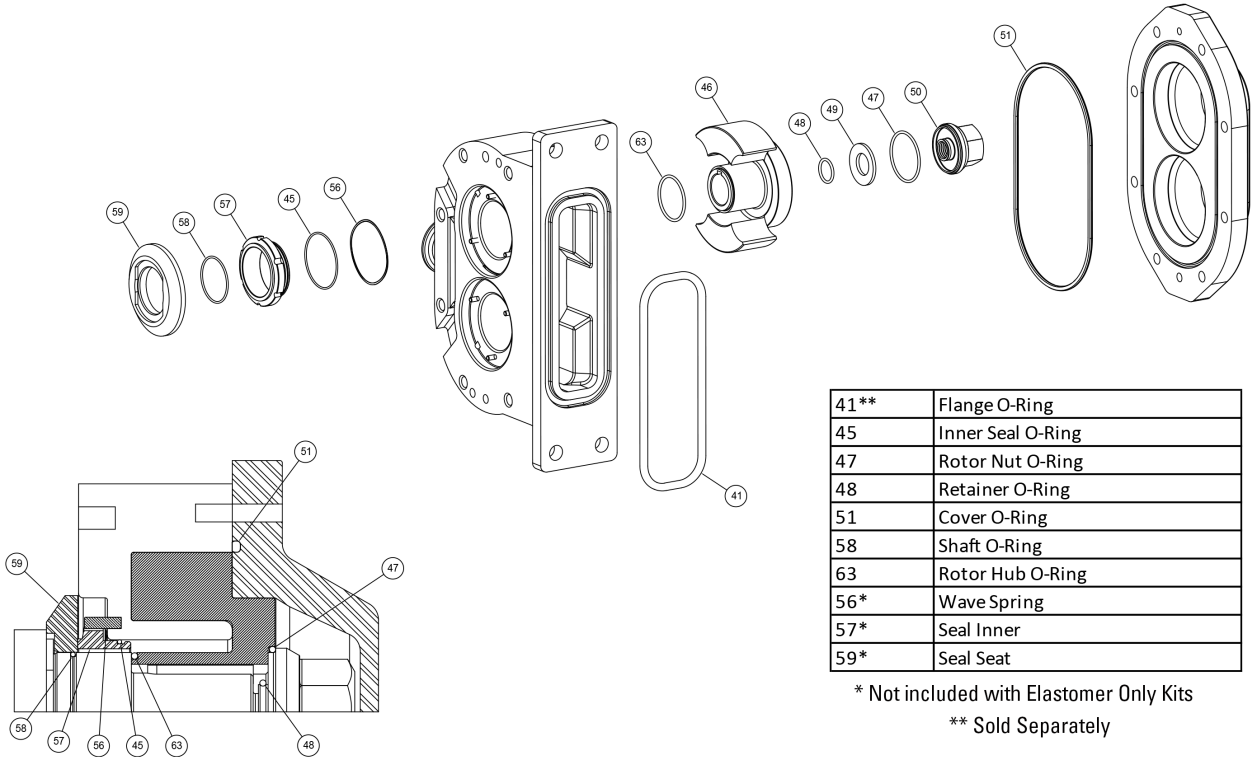
Ref #	Component Item No.	Description	Qty Per
45	N70035	O-RING, INNER SEAL (BUNA) - ZP2 45/60/64/130/134	2
	<i>E70035</i>	<i>O-RING, INNER SEAL (EPDM) - ZP2 45/60/64/130/134</i>	2
	<i>V70035</i>	<i>O-RING, INNER SEAL (VITON) - ZP2 45/60/64/130/134</i>	2
56	P2GS101687	INNER SEAL WAVE SPRING - ZP2 45/60/64/130/134	2
57	P2GS101660	INNER SEAL (K) - ZP2 45/60/64/130/134	2
	<i>P2GS101661</i>	<i>INNER SEAL (C) ZP2 45/60/64/130/134</i>	2
	<i>P2GS101659</i>	<i>INNER SEAL (N) - ZP2 45/60/64/130/134</i>	2
58	N70133	O-RING, SHAFT (BUNA) - ZP2 45/60/64/130/134	2
	<i>E70133</i>	<i>O-RING, SHAFT (EPDM) - ZP2 45/60/64/130/134</i>	2
	<i>V70133</i>	<i>O-RING, SHAFT (VITON) - ZP2 45/60/64/130/134</i>	2
59	P2GS101674	SEAL SEAT (C) ZP2 45/60/64/130/134	2
	<i>P2GS101673</i>	<i>SEAL SEAT (K) ZP2 45/60/64/130/134</i>	2
60	P2GS101688	OUTER SEAL WAVE SPRING - ZP2 45/60/64/130/134	2
61	N70043	O-RING, OUTER SEAL (BUNA) - ZP2 45/60/64/130/134	2
	<i>E70043</i>	<i>O-RING, OUTER SEAL (EPDM) - ZP2 45/60/64/130/134</i>	2
	<i>V70043</i>	<i>O-RING, OUTER SEAL (VITON) - ZP2 45/60/64/130/134</i>	2
62	P2GS101681	OUTER SEAL (N) ZP2 45/60/64/130/134	2
63	N70224	O-RING, ROTOR HUB (BUNA) - ZP2 45/60/64/130/134	2
	<i>E70224</i>	<i>O-RING, ROTOR HUB (EPDM) - ZP2 45/60/64/130/134</i>	2
	<i>V70224</i>	<i>O-RING, ROTOR HUB (VITON) - ZP2 45/60/64/130/134</i>	2



Pressure Relief Cover

Optional Items Shown in ITALICS

Ref #	Component Item No.	Description	Qty Per
64	P2CVR103671	VENTED FRONT COVER, ZP2 - 45/60/64/130/134	1
65	P1GXCD0078000	RUBBER DIAPHRAGM, BUNA, ZP1 & ZP2 & ZP3 - 60/64/130/134	1
	<i>P1GXCD0078E00</i>	<i>RUBBER DIAPHRAGM, EPDM, ZP1 & ZP2 & ZP3 - 60/64/130/134</i>	<i>1</i>
	<i>P1GXCD0078V00</i>	<i>RUBBER DIAPHRAGM, VITON, ZP1 & ZP2 & ZP3 - 60/64/130/134</i>	<i>1</i>
66	P1SXCD0077000	DIAPHRAGM BUSHING, ZP1 & ZP2 & ZP3 - 60/64/130/134	1
67	P1SX113397	SPRING PLUNGER, ZP1 & ZP2 & ZP3 - 60/64/130/134	1
68	P1SX113523	SPRING, MEDIUM, (LESS THAN 150 PSI), ZP1 & ZP2 & ZP3 - 60/64/130/134	1
	<i>P1SX113400</i>	<i>SPRING, HIGH, (MORE THAN 150 PSI), ZP1 & ZP2 & ZP3 - 60/64/130/134</i>	<i>1</i>
69	P1SX113398	COVER NUT, ZP1 & ZP2 & ZP3 - 60/64/130/134	1
70	P1SXGD0074000	LOCKNUT, ZP1 & ZP2 & ZP3 - 60/64/130/134/180/184/220/224	1
71	P1SX113657	ADJUSTING SCREW, ZP1 & ZP2 & ZP3 - 60/64/130/134/180/184/220/224	1



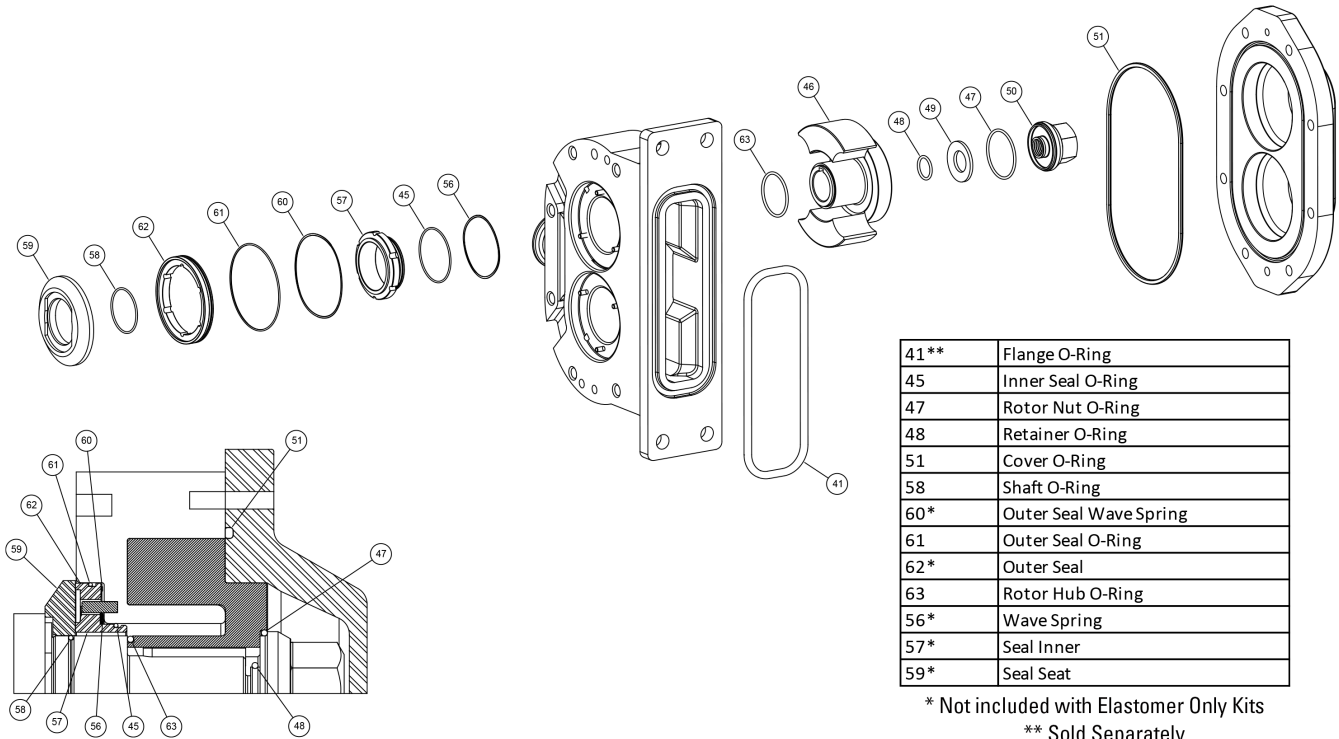
41**	Flange O-Ring
45	Inner Seal O-Ring
47	Rotor Nut O-Ring
48	Retainer O-Ring
51	Cover O-Ring
58	Shaft O-Ring
63	Rotor Hub O-Ring
56*	Wave Spring
57*	Seal Inner
59*	Seal Seat

* Not included with Elastomer Only Kits
** Sold Separately

Single Mechanical Seal Kit

Optional Items Shown in ITALICS

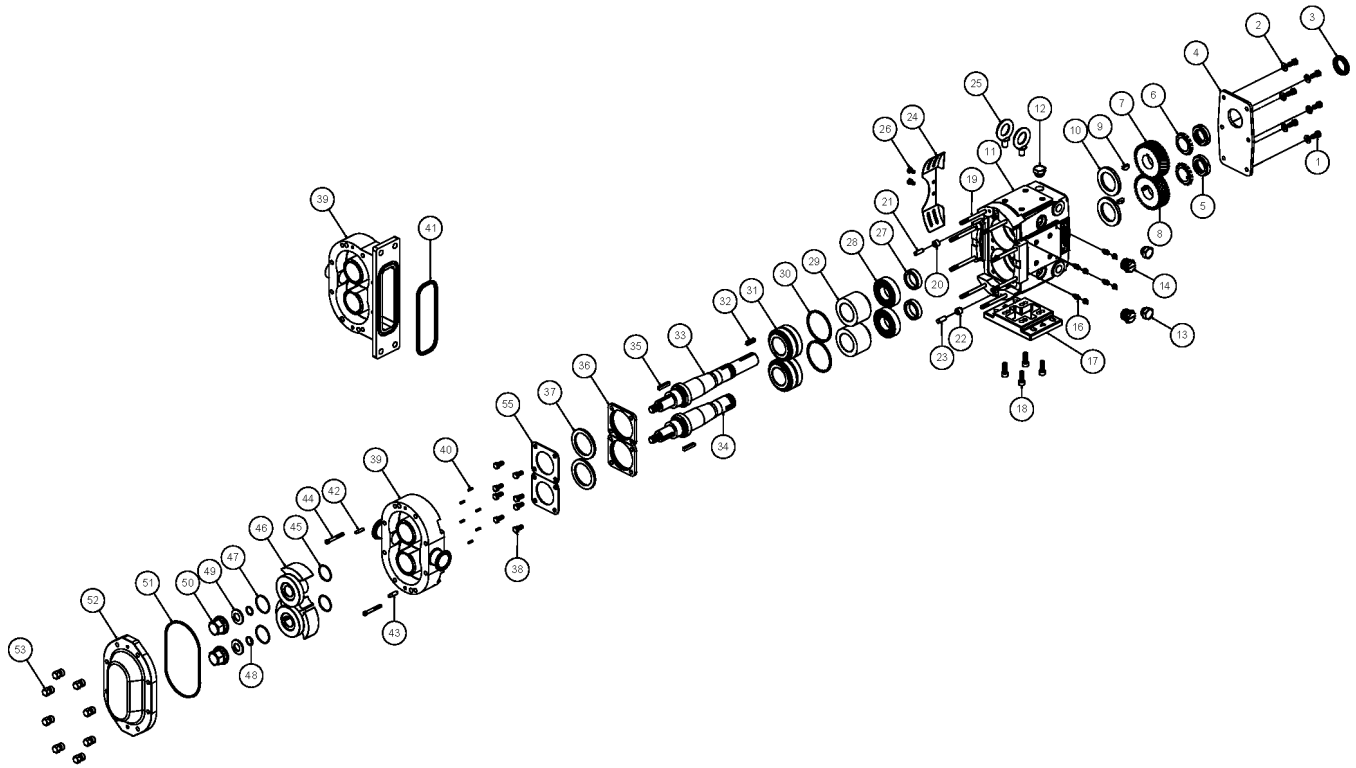
Ref #	Component Item No.	Description	Qty Per
1	P2GX060000-N	SEAL KIT, SGL MECH, ELASTOMERS ONLY, BUNA - ZP2 45/60/64/130/134	1
	<i>P2GX060000-E</i>	<i>SEAL KIT, SGL MECH, ELASTOMERS ONLY, EPDM - ZP2 45/60/64/130/134</i>	<i>1</i>
	<i>P2GX060000-V</i>	<i>SEAL KIT, SGL MECH, ELASTOMERS ONLY, VITON - ZP2 45/60/64/130/134</i>	<i>1</i>
2	P2GS060000-N	SEAL KIT, SGL MECH, SC/CA, BUNA - ZP2 45/60/64/130/134	1
	<i>P2GS060000-E</i>	<i>SEAL KIT, SGL MECH, SC/CA, EPDM - ZP2 45/60/64/130/134</i>	<i>1</i>
	<i>P2GS060000-V</i>	<i>SEAL KIT, SGL MECH, SC/CA, VITON - ZP2 45/60/64/130/134</i>	<i>1</i>
3	P2GS060020-N	SEAL KIT, SGL MECH, CE/CA, BUNA - ZP2 45/60/64/130/134	1
	<i>P2GS060020-E</i>	<i>SEAL KIT, SGL MECH, CE/CA, EPDM - ZP2 45/60/64/130/134</i>	<i>1</i>
	<i>P2GS060020-V</i>	<i>SEAL KIT, SGL MECH, CE/CA, VITON - ZP2 45/60/64/130/134</i>	<i>1</i>
4	<i>P2GS060030-V</i>	<i>SEAL KIT, SGL MECH, CE/CE, VITON - ZP2 45/60/64/130/134</i>	<i>1</i>
5	P2GS060010-N	SEAL KIT, SGL MECH, SC/SC, BUNA - ZP2 45/60/64/130/134	1
	<i>P2GS060010-E</i>	<i>SEAL KIT, SGL MECH, SC/SC, EPDM - ZP2 45/60/64/130/134</i>	<i>1</i>
	<i>P2GS060010-V</i>	<i>SEAL KIT, SGL MECH, SC/SC, VITON - ZP2 45/60/64/130/134</i>	<i>1</i>
49	P2GX101693	BELLEVILLE WASHER, SS - ZP2 45/60/64/130/134	2
50	P2SX101806	ROTOR NUT - ZP2 45/60/64/130/134	2



Double Mechanical Seal Kit

Optional Items Shown in ITALICS

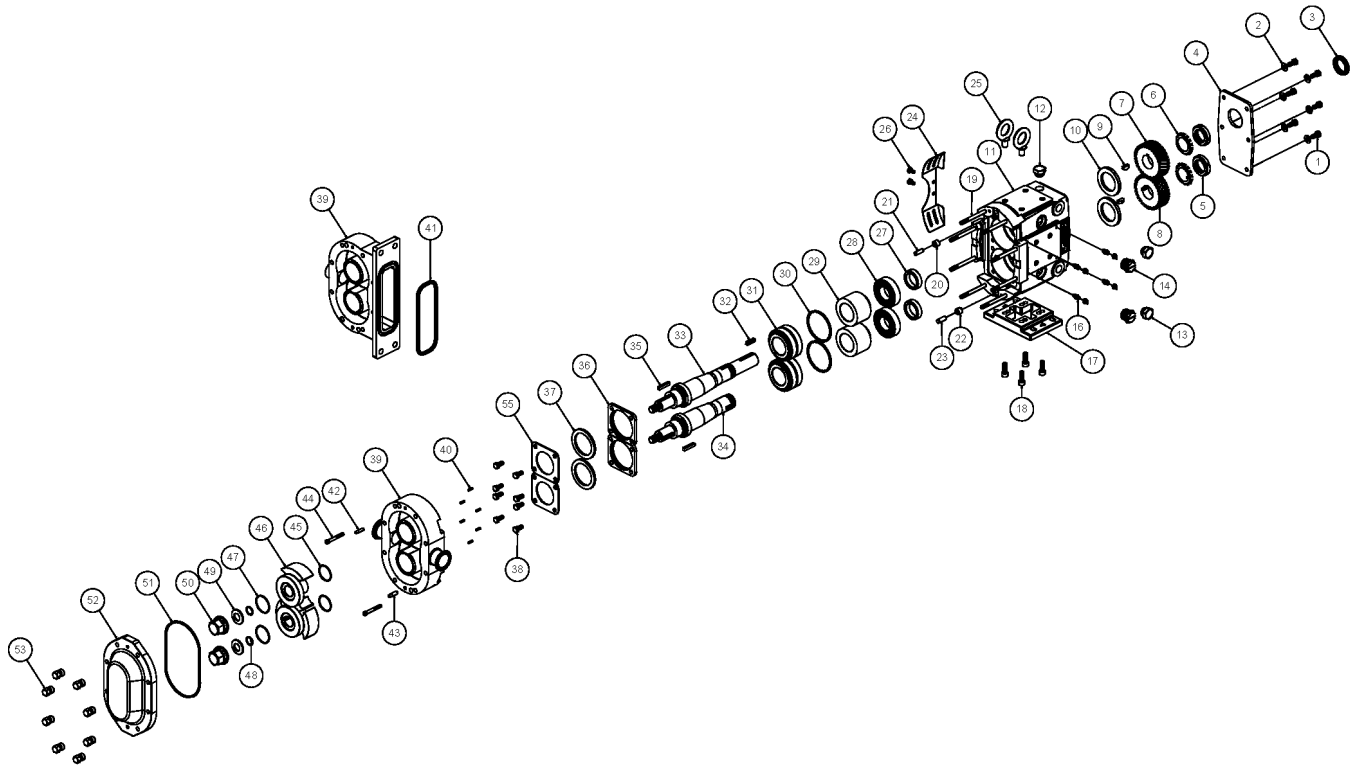
Ref #	Component Item No.	Description	Qty Per
1	P2GX060200-N	SEAL KIT, DBL MECH, ELASTOMERS ONLY, BUNA - ZP2 45/60/64/130/134	1
	<i>P2GX060200-E</i>	<i>SEAL KIT, DBL MECH, ELASTOMERS ONLY, EPDM - ZP2 45/60/64/130/134</i>	<i>1</i>
	<i>P2GX060200-V</i>	<i>SEAL KIT, DBL MECH, ELASTOMERS ONLY, VITON - ZP2 45/60/64/130/134</i>	<i>1</i>
2	P2GS060200-N	SEAL KIT, DBL MECH, SC/CA/CA, BUNA - ZP2 45/60/64/130/134	1
	<i>P2GS060200-E</i>	<i>SEAL KIT, DBL MECH, SC/CA/CA, EPDM - ZP2 45/60/64/130/134</i>	<i>1</i>
	<i>P2GS060200-V</i>	<i>SEAL KIT, DBL MECH, SC/CA/CA, VITON - ZP2 45/60/64/130/134</i>	<i>1</i>
3	P2GS060220-N	SEAL KIT, DBL MECH, CE/CA/CA, BUNA - ZP2 45/60/64/130/134	1
	<i>P2GS060220-E</i>	<i>SEAL KIT, DBL MECH, CE/CA/CA, EPDM - ZP2 45/60/64/130/134</i>	<i>1</i>
	<i>P2GS060220-V</i>	<i>SEAL KIT, DBL MECH, CE/CA/CA, VITON - ZP2 45/60/64/130/134</i>	<i>1</i>
4	P2GS060230-N	SEAL KIT, DBL MECH, CE/CE/CA, BUNA - ZP2 45/60/64/130/134	1
5	P2GS060210-N	SEAL KIT, DBL MECH, SC/SC/CA, BUNA - ZP2 45/60/64/130/134	1
	<i>P2GS060210-E</i>	<i>SEAL KIT, DBL MECH, SC/SC/CA, EPDM - ZP2 45/60/64/130/134</i>	<i>1</i>
	<i>P2GS060210-V</i>	<i>SEAL KIT, DBL MECH, SC/SC/CA, VITON - ZP2 45/60/64/130/134</i>	<i>1</i>
49	P2GX101693	BELLEVILLE WASHER, SS - ZP2 45/60/64/130/134	2
50	P2SX101806	ROTOR NUT - ZP2 45/60/64/130/134	2



Exploded View

Optional Items Shown in ITALICS

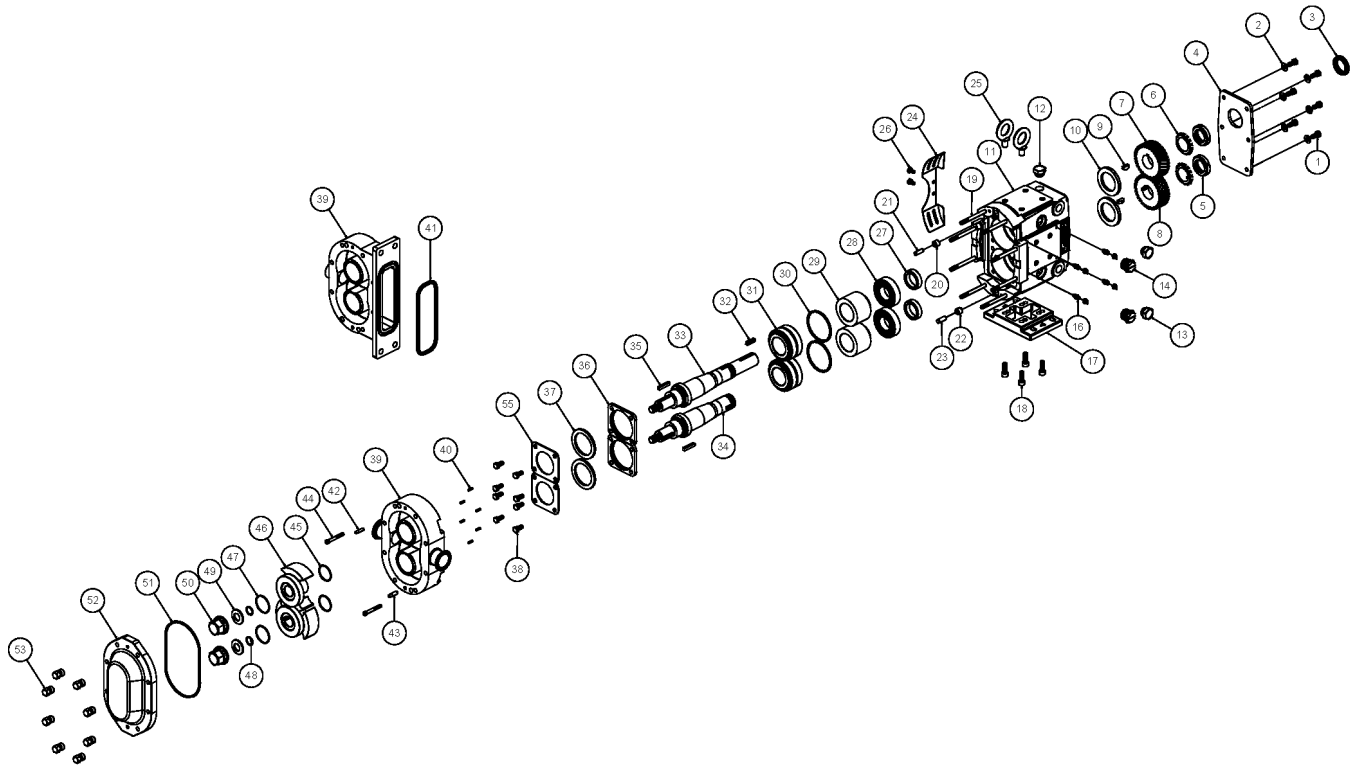
Ref #	Component Item No.	Description	Qty Per
1	P1GX30-50	GEAR CASE COVER BOLT - 3/8-16 X 3/4 HHCS (18-8 SS)	6
2	P1GX43-189	GEAR CASE COVER WASHER - 3/8 FLAT WASHER (18-8 SS)	6
3	P1GX000030012-ND	OIL SEAL, PTFE, GEAR CASE COVER - ZP1 & ZP2 45/60/64/130/134	1
	<i>P1GX000030012</i>	<i>OIL SEAL, GEAR CASE COVER - ZP1 & ZP2 45/60/64/130/134</i>	1
4	P1SX070106000	GEAR CASE COVER, SS - ZP1 & ZP2 45/60/64/130/134	1
5	P1GXSTD236009	GEAR LOCKNUT ZP1 & ZP2 45/60/64/130/134	2
6	P1GXSTD136009	GEAR LOCKWASHER ZP1 & ZP2 45/60/64/130/134	2
7	P1GX060007001	GEAR DRIVE SHAFT ZP1 & ZP2 45/60/64/130/134	1
8	P1GX060007002	GEAR SHORT SHAFT ZP1 & ZP2 45/60/64/130/134	1
9	P1GX060037000	GEAR KEY - ZP1 & ZP2 45/60/64/130/134	2
10	P1GX000030011	OIL SEAL REAR - ZP1 & ZP2 45/60/64/130/134	2
11	P1SX070005000	GEAR CASE, SS - ZP1 & ZP2 45/60/64/130/134	1
12	P1GX115798	PLUG,HEX,20M X1.5,W/NBR SEAL	5
13	P1GX115799	GAUGE,OIL,LVL,INDIC,M-20X1.5	1
14	P1GX70PLUG-SS	CLEAN OUT PLUG, SS - ZP1 & ZP2 45/60/64/130/134	4
	<i>P1GX70PLUG</i>	<i>CLEAN OUT PLUG, YELLOW - ZP1 & ZP2 45/60/64/130/134</i>	4
16	P1GXBD0092001	GREASE FITTING, THREADED 1/4"-28 TAPER, SS	8
17	P1SX070110000	GEAR CASE BASE, SS - ZP1 & ZP2 45/60/64/130/134	1
18	P1GX60SHCSGCB	SHCS, G. CASE BASE, (18-8 SS) 1/2-13 X 1.5" ZP1 & ZP2 60/130	4
19	P2GX101722	STUD, ZP2 130	8
	<i>P1GX130011001</i>	<i>STUD, JACKETED COVER, ZP2 130</i>	8
20	P1GXCD0116000	UPPER DOWEL BUSHING - ZP1 & ZP2 45/60/64/130/134/180/220/224	1
21	P1GX124584	DOWEL PIN - ZP1 & ZP2 45/60/64/130/134	1
22	P1GXCD0116100	LOWER DOWEL BUSHING - ZP1 & ZP2 45/60/64/130/134/180/220/224	1
23	P1GX124586	DOWEL PIN - ZP1 & ZP2 45/60/64/130/134	1
24	P1SX070CEGUARD	GUARD,45-134,(CE),GC,SS	2
25	P1GXEYEBOLT-SS	EYE BOLT,60-224,SS	2



Exploded View

Optional Items Shown in ITALICS

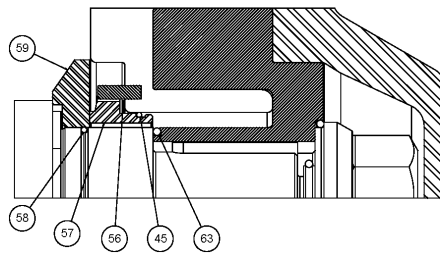
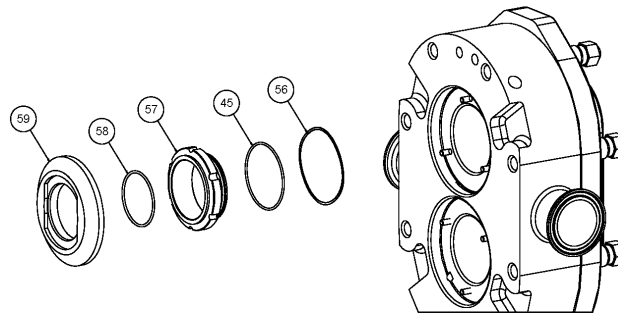
Ref #	Component Item No.	Description	Qty Per
26	P1GX000CENAIL	DRIVENAIL,ZP,GEAR CASE GUARDS	4
27	P1GX107187	GEAR TO REAR BEARING SPACER - ZP1 & ZP2 45/60/64/130/134	2
28	P1GX107186	REAR BEARING - ZP1 & ZP2 45/60/64/130/134	2
29	P1GX060055003	BEARING SPACER - ZP1 & ZP2 45/60/64/130/134	2
30	P1GX117891	SHIM KIT - ZP1 & ZP2 45/60/64/130/134	2
31	P1GX060036000	FRONT BEARING - ZP1 & ZP2 45/60/64/130/134	2
32	P1GX000037003	DRIVE KEY, 3/8" SQ. X 1-5/8" - ZP1 & ZP2 45/60/64/130/134	1
33	P2SX108413	DRIVE SHAFT (17-4PH) - ZP2 130/134	1
34	P2SX108414	SHORT SHAFT (17-4PH) - ZP2 130/134	1
35	P2SX101825	ROTOR KEY - ZP2 130/134	2
36	P1SX121828	BEARING RETAINER, NEW STYLE 3A - ZP1 & ZP2 60/64/130/134	2
37	P2GX101829	BEARING RETAINER GREASE SEAL - ZP2 45/60/64/130/134	2
39	P2BDY130001000	BODY - ZP2 130	1
	<i>P2BDY130001F00</i>	<i>BODY - ZP2 130 - FLUSHED</i>	1
40	P2GX101720	STOP PIN,SEAL - ZP2 45/60/64/130/134/180/220/224	6
42	P1GX124582	DOWEL PIN - ZP1 & ZP2 45/60/64/130/134	1
43	P1GX124583	DOWEL PIN - ZP1 & ZP2 45/60/64/130/134	1
44	P1GX30-423	CAPSCRW,SH,5/16-18X4,18-8SS SCKT HD	2
45	N70035	O-RING, INNER SEAL (BUNA) - ZP2 45/60/64/130/134	2
	<i>E70035</i>	<i>O-RING, INNER SEAL (EPDM) - ZP2 45/60/64/130/134</i>	2
	<i>V70035</i>	<i>O-RING, INNER SEAL (VITON) - ZP2 45/60/64/130/134</i>	2
46	P2RTB130010000	ROTOR TWIN BLADE - ZP2 130 (STD) - ALLOY 88	2
	<i>P2RTB13001000H</i>	<i>ROTOR TWIN BLADE - ZP2 130 (STD) - ALLOY 88 - HOT CLEARANCE</i>	2
	<i>P2RTB1300100HC</i>	<i>ROTOR TWIN BLADE - ZP2 130 (STD) - ALLOY 88 - HOT CHOCOLATE</i>	2
	<i>P2RTB130010200</i>	<i>ROTOR TWIN BLADE - ZP2 130 (STD) - 316L</i>	2
47	N70227	O-RING, ROTOR NUT (BUNA) - ZP2 45/60/64/130/134	2
	<i>E70227</i>	<i>O-RING, ROTOR NUT (EPDM) - ZP2 45/60/64/130/134</i>	2



Exploded View

Optional Items Shown in ITALICS

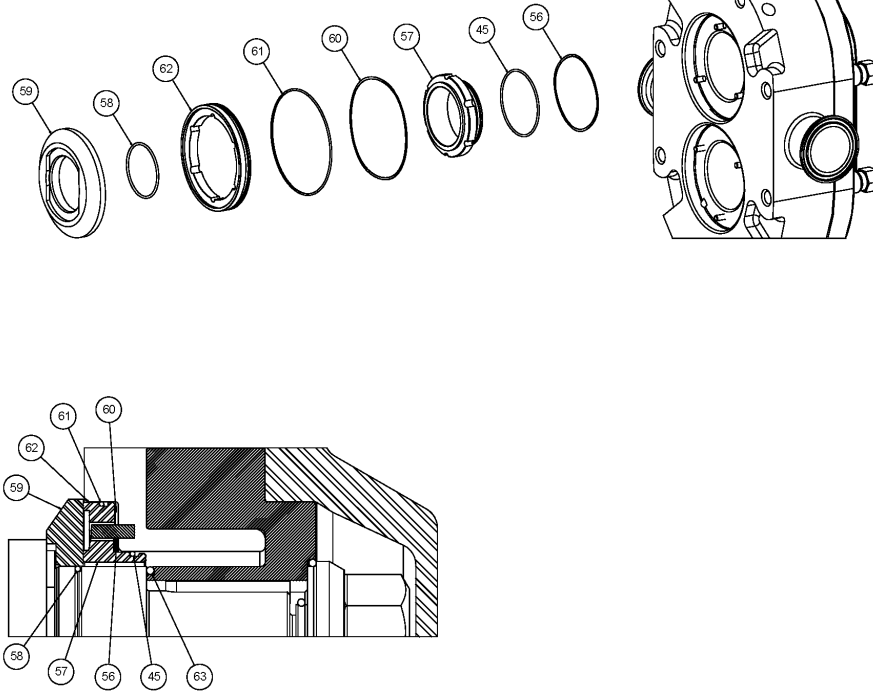
Ref #	Component Item No.	Description	Qty Per
47	V70227	O-RING, ROTOR NUT (VITON) - ZP2 45/60/64/130/134	2
48	N70119	O-RING, RETAINER (BUNA) - ZP2 45/60/64/130/134	2
	<i>E70119</i>	<i>O-RING, RETAINER (EPDM) - ZP2 45/60/64/130/134</i>	<i>2</i>
	<i>V70119</i>	<i>O-RING, RETAINER (VITON) - ZP2 45/60/64/130/134</i>	<i>2</i>
49	P2GX101693	BELLEVILLE WASHER, SS - ZP2 45/60/64/130/134	2
50	P2SX101806	ROTOR NUT - ZP2 45/60/64/130/134	2
51	N70373	O-RING, COVER (BUNA) - ZP2 45/60/64/130/134	1
	<i>E70373</i>	<i>O-RING, COVER (EPDM) - ZP2 45/60/64/130/134</i>	<i>1</i>
	<i>V70373</i>	<i>O-RING, COVER (VITON) - ZP2 45/60/64/130/134</i>	<i>1</i>
52	P2CVR101848	COVER - ZP2 45/60/64/130/134	1
	<i>P2CVR107668</i>	<i>COVER, JACKETED - ZP2 45/60/64/130/134</i>	<i>1</i>
53	P1SX108371	COVER HEX NUT - ZP1 & ZP2 45/60/64/130/134	8
	<i>P1GX105852</i>	<i>WING NUT - ZP1 & ZP2 45/60/64/130/134</i>	<i>8</i>
55	P2SX070SPATE	BEARING RETAINER SPLASH PLATE - ZP2 45/60/64/130/134	2
900	P1GXAD0096001	PICK,COMBO,O-RING ZP1 ZP2	1
901	P1GX000140003	OIL,460FG,MAGNAPLT,1GAL ZP	1
902	P1GX000140002	GREASE,HALO GUARD,14OZ TUBE ZP	1
903	P1GXRTVSEAL	SILICONE,DOW,732,30Z ZP1 ZP2	1



Single Mechanical Seal

Optional Items Shown in ITALICS

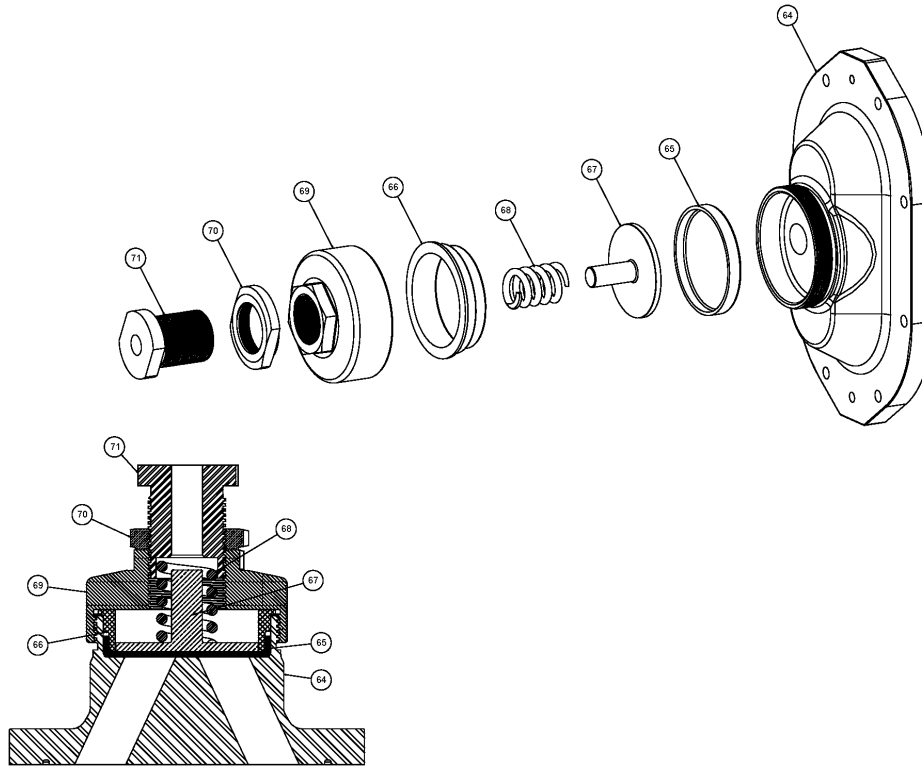
Ref #	Component Item No.	Description	Qty Per
45	N70035	O-RING, INNER SEAL (BUNA) - ZP2 45/60/64/130/134	2
	<i>E70035</i>	<i>O-RING, INNER SEAL (EPDM) - ZP2 45/60/64/130/134</i>	2
	<i>V70035</i>	<i>O-RING, INNER SEAL (VITON) - ZP2 45/60/64/130/134</i>	2
56	P2GS101687	INNER SEAL WAVE SPRING - ZP2 45/60/64/130/134	2
57	P2GS101660	INNER SEAL (K) - ZP2 45/60/64/130/134	2
	<i>P2GS101661</i>	<i>INNER SEAL (C) ZP2 45/60/64/130/134</i>	2
	<i>P2GS101659</i>	<i>INNER SEAL (N) - ZP2 45/60/64/130/134</i>	2
58	N70133	O-RING, SHAFT (BUNA) - ZP2 45/60/64/130/134	2
	<i>E70133</i>	<i>O-RING, SHAFT (EPDM) - ZP2 45/60/64/130/134</i>	2
	<i>V70133</i>	<i>O-RING, SHAFT (VITON) - ZP2 45/60/64/130/134</i>	2
59	P2GS101674	SEAL SEAT (C) ZP2 45/60/64/130/134	2
	<i>P2GS101673</i>	<i>SEAL SEAT (K) ZP2 45/60/64/130/134</i>	2
63	N70224	O-RING, ROTOR HUB (BUNA) - ZP2 45/60/64/130/134	2
	<i>E70224</i>	<i>O-RING, ROTOR HUB (EPDM) - ZP2 45/60/64/130/134</i>	2
	<i>V70224</i>	<i>O-RING, ROTOR HUB (VITON) - ZP2 45/60/64/130/134</i>	2



Double Mechanical Seal

Optional Items Shown in ITALICS

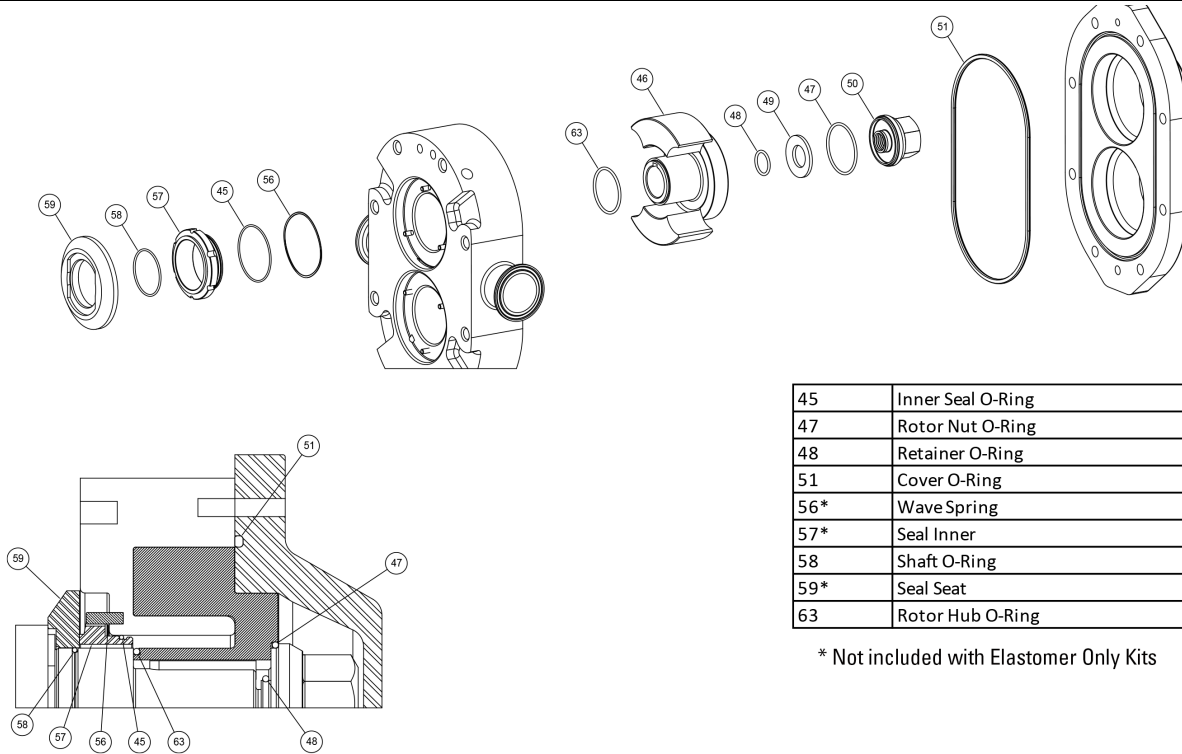
Ref #	Component Item No.	Description	Qty Per
45	N70035	O-RING, INNER SEAL (BUNA) - ZP2 45/60/64/130/134	2
	<i>E70035</i>	<i>O-RING, INNER SEAL (EPDM) - ZP2 45/60/64/130/134</i>	2
	<i>V70035</i>	<i>O-RING, INNER SEAL (VITON) - ZP2 45/60/64/130/134</i>	2
56	P2GS101687	INNER SEAL WAVE SPRING - ZP2 45/60/64/130/134	2
57	P2GS101660	INNER SEAL (K) - ZP2 45/60/64/130/134	2
	<i>P2GS101661</i>	<i>INNER SEAL (C) ZP2 45/60/64/130/134</i>	2
	<i>P2GS101659</i>	<i>INNER SEAL (N) - ZP2 45/60/64/130/134</i>	2
58	N70133	O-RING, SHAFT (BUNA) - ZP2 45/60/64/130/134	2
	<i>E70133</i>	<i>O-RING, SHAFT (EPDM) - ZP2 45/60/64/130/134</i>	2
	<i>V70133</i>	<i>O-RING, SHAFT (VITON) - ZP2 45/60/64/130/134</i>	2
59	P2GS101674	SEAL SEAT (C) ZP2 45/60/64/130/134	2
	<i>P2GS101673</i>	<i>SEAL SEAT (K) ZP2 45/60/64/130/134</i>	2
60	P2GS101688	OUTER SEAL WAVE SPRING - ZP2 45/60/64/130/134	2
61	N70043	O-RING, OUTER SEAL (BUNA) - ZP2 45/60/64/130/134	2
	<i>E70043</i>	<i>O-RING, OUTER SEAL (EPDM) - ZP2 45/60/64/130/134</i>	2
	<i>V70043</i>	<i>O-RING, OUTER SEAL (VITON) - ZP2 45/60/64/130/134</i>	2
62	P2GS101681	OUTER SEAL (N) ZP2 45/60/64/130/134	2
63	N70224	O-RING, ROTOR HUB (BUNA) - ZP2 45/60/64/130/134	2
	<i>E70224</i>	<i>O-RING, ROTOR HUB (EPDM) - ZP2 45/60/64/130/134</i>	2
	<i>V70224</i>	<i>O-RING, ROTOR HUB (VITON) - ZP2 45/60/64/130/134</i>	2



Pressure Relief Cover

Optional Items Shown in ITALICS

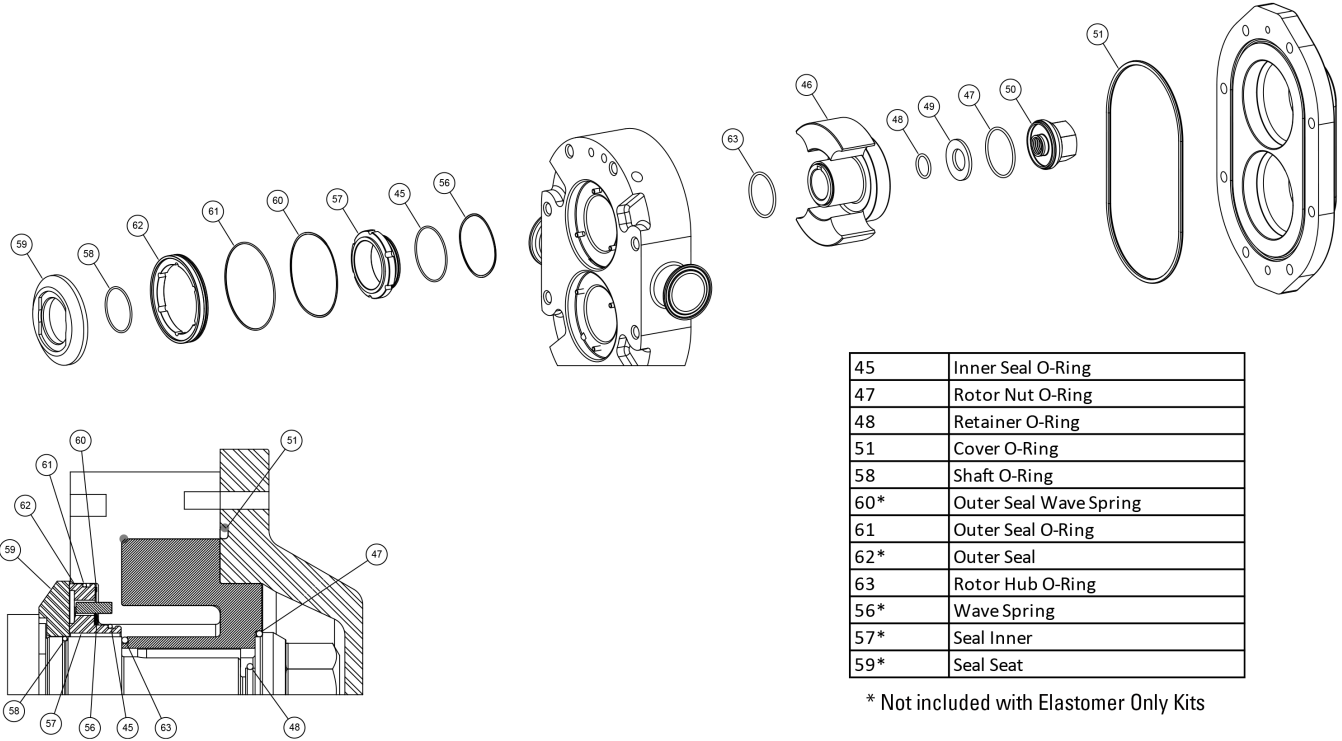
Ref #	Component Item No.	Description	Qty Per
64	P2CVR103671	VENTED FRONT COVER, ZP2 - 45/60/64/130/134	1
65	P1GXCD0078000	RUBBER DIAPHRAGM, BUNA, ZP1 & ZP2 & ZP3 - 60/64/130/134	1
	<i>P1GXCD0078E00</i>	<i>RUBBER DIAPHRAGM, EPDM, ZP1 & ZP2 & ZP3 - 60/64/130/134</i>	1
	<i>P1GXCD0078V00</i>	<i>RUBBER DIAPHRAGM, VITON, ZP1 & ZP2 & ZP3 - 60/64/130/134</i>	1
66	P1SXCD0077000	DIAPHRAGM BUSHING, ZP1 & ZP2 & ZP3 - 60/64/130/134	1
67	P1SX113397	SPRING PLUNGER, ZP1 & ZP2 & ZP3 - 60/64/130/134	1
68	P1SX113523	SPRING, MEDIUM, (LESS THAN 150 PSI), ZP1 & ZP2 & ZP3 - 60/64/130/134	1
	<i>P1SX113400</i>	<i>SPRING, HIGH, (MORE THAN 150 PSI), ZP1 & ZP2 & ZP3 - 60/64/130/134</i>	1
69	P1SX113398	COVER NUT, ZP1 & ZP2 & ZP3 - 60/64/130/134	1
70	P1SXGD0074000	LOCKNUT, ZP1 & ZP2 & ZP3 - 60/64/130/134/180/184/220/224	1
71	P1SX113657	ADJUSTING SCREW, ZP1 & ZP2 & ZP3 - 60/64/130/134/180/184/220/224	1



Single Mechanical Seal Kit

Optional Items Shown in ITALICS

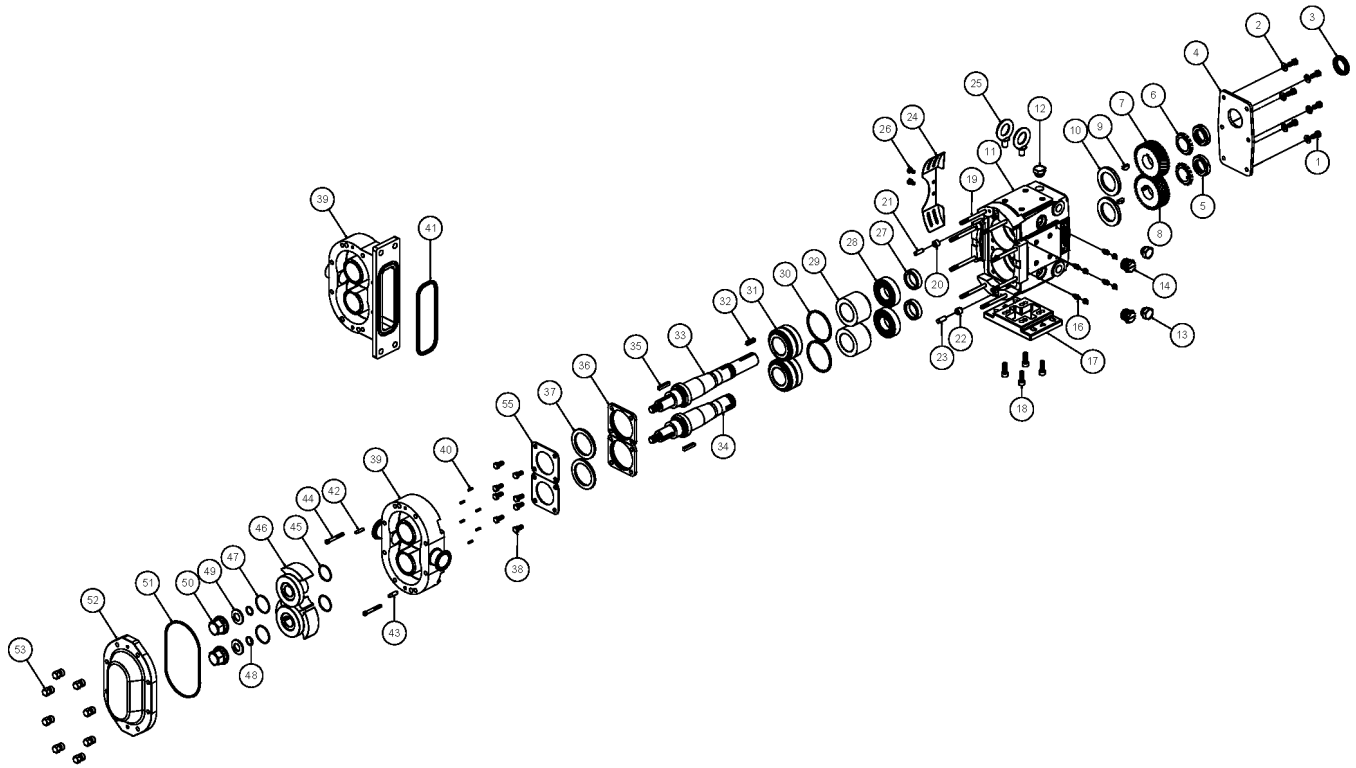
Ref #	Component Item No.	Description	Qty Per
1	P2GX060000-N	SEAL KIT, SGL MECH, ELASTOMERS ONLY, BUNA - ZP2 45/60/64/130/134	1
	<i>P2GX060000-E</i>	<i>SEAL KIT, SGL MECH, ELASTOMERS ONLY, EPDM - ZP2 45/60/64/130/134</i>	<i>1</i>
	<i>P2GX060000-V</i>	<i>SEAL KIT, SGL MECH, ELASTOMERS ONLY, VITON - ZP2 45/60/64/130/134</i>	<i>1</i>
2	P2GS060000-N	SEAL KIT, SGL MECH, SC/CA, BUNA - ZP2 45/60/64/130/134	1
	<i>P2GS060000-E</i>	<i>SEAL KIT, SGL MECH, SC/CA, EPDM - ZP2 45/60/64/130/134</i>	<i>1</i>
	<i>P2GS060000-V</i>	<i>SEAL KIT, SGL MECH, SC/CA, VITON - ZP2 45/60/64/130/134</i>	<i>1</i>
3	P2GS060020-N	SEAL KIT, SGL MECH, CE/CA, BUNA - ZP2 45/60/64/130/134	1
	<i>P2GS060020-E</i>	<i>SEAL KIT, SGL MECH, CE/CA, EPDM - ZP2 45/60/64/130/134</i>	<i>1</i>
	<i>P2GS060020-V</i>	<i>SEAL KIT, SGL MECH, CE/CA, VITON - ZP2 45/60/64/130/134</i>	<i>1</i>
4	<i>P2GS060030-V</i>	<i>SEAL KIT, SGL MECH, CE/CE, VITON - ZP2 45/60/64/130/134</i>	<i>1</i>
5	P2GS060010-N	SEAL KIT, SGL MECH, SC/SC, BUNA - ZP2 45/60/64/130/134	1
	<i>P2GS060010-E</i>	<i>SEAL KIT, SGL MECH, SC/SC, EPDM - ZP2 45/60/64/130/134</i>	<i>1</i>
	<i>P2GS060010-V</i>	<i>SEAL KIT, SGL MECH, SC/SC, VITON - ZP2 45/60/64/130/134</i>	<i>1</i>
49	P2GX101693	BELLEVILLE WASHER, SS - ZP2 45/60/64/130/134	2
50	P2SX101806	ROTOR NUT - ZP2 45/60/64/130/134	2



Double Mechanical Seal Kit

Optional Items Shown in ITALICS

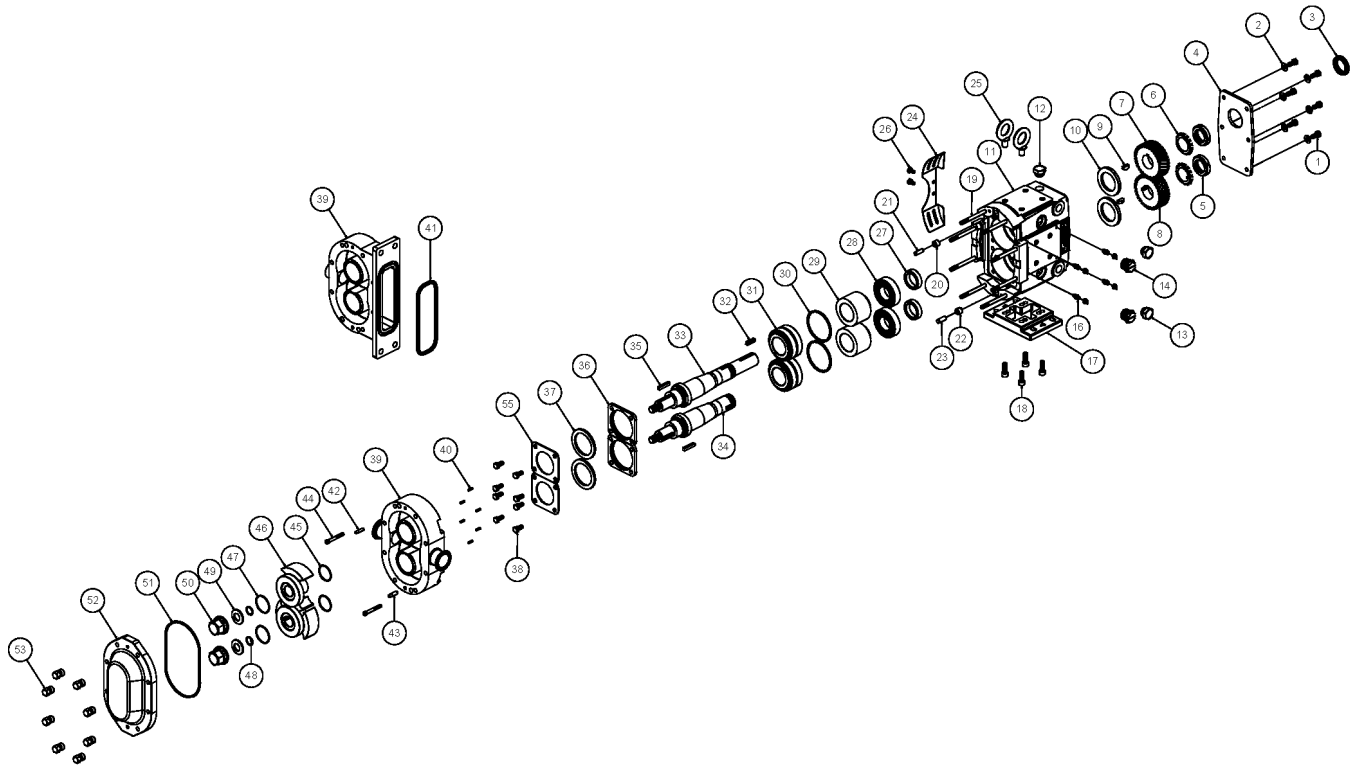
Ref #	Component Item No.	Description	Qty Per
1	P2GX060200-N	SEAL KIT, DBL MECH, ELASTOMERS ONLY, BUNA - ZP2 45/60/64/130/134	1
	<i>P2GX060200-E</i>	<i>SEAL KIT, DBL MECH, ELASTOMERS ONLY, EPDM - ZP2 45/60/64/130/134</i>	<i>1</i>
	<i>P2GX060200-V</i>	<i>SEAL KIT, DBL MECH, ELASTOMERS ONLY, VITON - ZP2 45/60/64/130/134</i>	<i>1</i>
2	P2GS060200-N	SEAL KIT, DBL MECH, SC/CA/CA, BUNA - ZP2 45/60/64/130/134	1
	<i>P2GS060200-E</i>	<i>SEAL KIT, DBL MECH, SC/CA/CA, EPDM - ZP2 45/60/64/130/134</i>	<i>1</i>
	<i>P2GS060200-V</i>	<i>SEAL KIT, DBL MECH, SC/CA/CA, VITON - ZP2 45/60/64/130/134</i>	<i>1</i>
3	P2GS060220-N	SEAL KIT, DBL MECH, CE/CA/CA, BUNA - ZP2 45/60/64/130/134	1
	<i>P2GS060220-E</i>	<i>SEAL KIT, DBL MECH, CE/CA/CA, EPDM - ZP2 45/60/64/130/134</i>	<i>1</i>
	<i>P2GS060220-V</i>	<i>SEAL KIT, DBL MECH, CE/CA/CA, VITON - ZP2 45/60/64/130/134</i>	<i>1</i>
4	P2GS060230-N	SEAL KIT, DBL MECH, CE/CE/CA, BUNA - ZP2 45/60/64/130/134	1
5	P2GS060210-N	SEAL KIT, DBL MECH, SC/SC/CA, BUNA - ZP2 45/60/64/130/134	1
	<i>P2GS060210-E</i>	<i>SEAL KIT, DBL MECH, SC/SC/CA, EPDM - ZP2 45/60/64/130/134</i>	<i>1</i>
	<i>P2GS060210-V</i>	<i>SEAL KIT, DBL MECH, SC/SC/CA, VITON - ZP2 45/60/64/130/134</i>	<i>1</i>
49	P2GX101693	BELLEVILLE WASHER, SS - ZP2 45/60/64/130/134	2
50	P2SX101806	ROTOR NUT - ZP2 45/60/64/130/134	2



Exploded View

Optional Items Shown in ITALICS

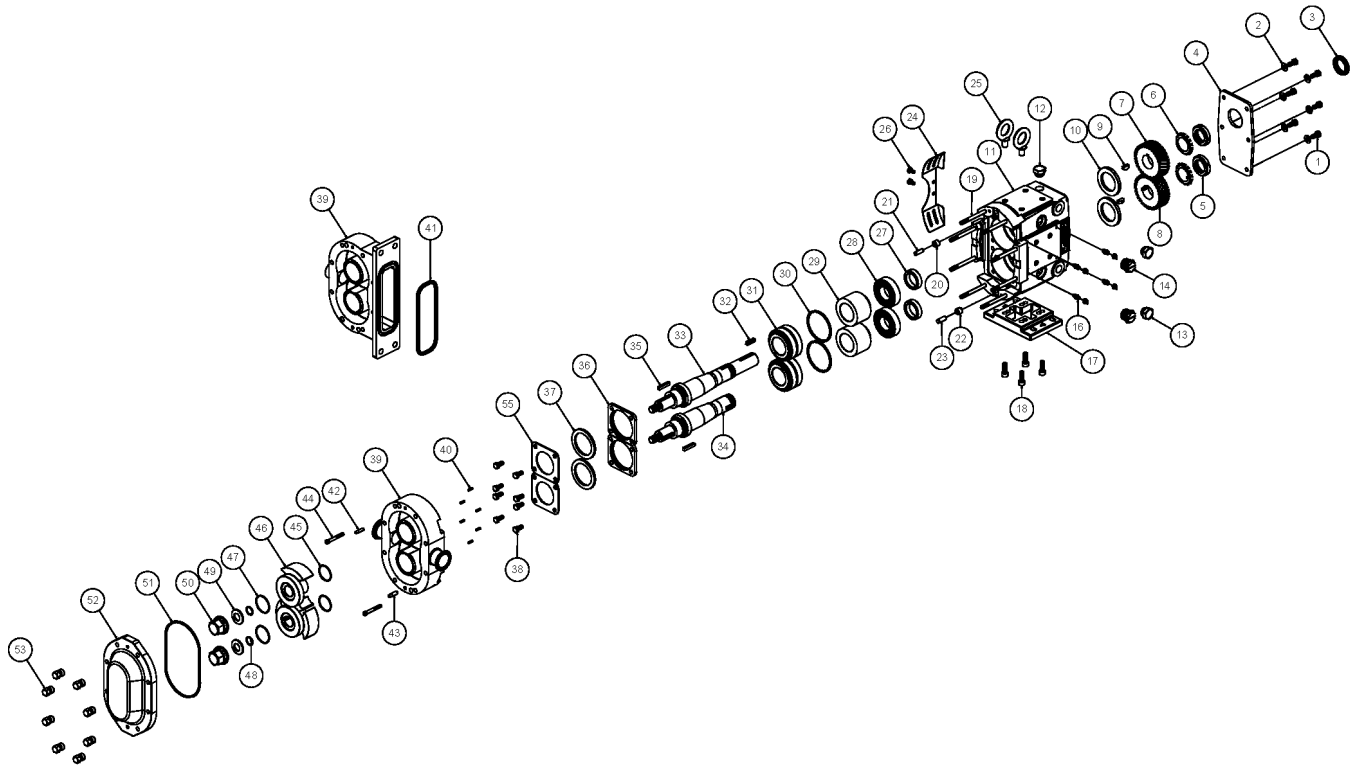
Ref #	Component Item No.	Description	Qty Per
1	P1GX30-50	GEAR CASE COVER BOLT - 3/8-16 X 3/4 HHCS (18-8 SS)	6
2	P1GX43-189	GEAR CASE COVER WASHER - 3/8 FLAT WASHER (18-8 SS)	6
3	P1GX000030012-ND	OIL SEAL, PTFE, GEAR CASE COVER - ZP1 & ZP2 45/60/64/130/134	1
	<i>P1GX000030012</i>	<i>OIL SEAL, GEAR CASE COVER - ZP1 & ZP2 45/60/64/130/134</i>	1
4	P1SX070106000	GEAR CASE COVER, SS - ZP1 & ZP2 45/60/64/130/134	1
5	P1GXSTD236009	GEAR LOCKNUT ZP1 & ZP2 45/60/64/130/134	2
6	P1GXSTD136009	GEAR LOCKWASHER ZP1 & ZP2 45/60/64/130/134	2
7	P1GX060007001	GEAR DRIVE SHAFT ZP1 & ZP2 45/60/64/130/134	1
8	P1GX060007002	GEAR SHORT SHAFT ZP1 & ZP2 45/60/64/130/134	1
9	P1GX060037000	GEAR KEY - ZP1 & ZP2 45/60/64/130/134	2
10	P1GX000030011	OIL SEAL REAR - ZP1 & ZP2 45/60/64/130/134	2
11	P1SX070005000	GEAR CASE, SS - ZP1 & ZP2 45/60/64/130/134	1
12	P1GX115798	PLUG,HEX,20M X1.5,W/NBR SEAL	5
13	P1GX115799	GAUGE,OIL,LVL,INDIC,M-20X1.5	1
14	P1GX70PLUG-SS	CLEAN OUT PLUG, SS - ZP1 & ZP2 45/60/64/130/134	4
	<i>P1GX70PLUG</i>	<i>CLEAN OUT PLUG, YELLOW - ZP1 & ZP2 45/60/64/130/134</i>	4
16	P1GXBD0092001	GREASE FITTING, THREADED 1/4"-28 TAPER, SS	8
17	P1SX070110000	GEAR CASE BASE, SS - ZP1 & ZP2 45/60/64/130/134	1
18	P1GX60SHCSGCB	SHCS, G. CASE BASE, (18-8 SS) 1/2-13 X 1.5" ZP1 & ZP2 60/130	4
19	P1GX0C1050000	STUD, SHORT, ZP2 134	2
	P2GX101722	STUD, ZP2 134	6
	<i>P1GX130011001</i>	<i>STUD, JACKETED COVER, ZP2 134</i>	6
	<i>P1GX35556</i>	<i>STUD, SHORT, JACKETED COVER, ZP2 134</i>	2
20	P1GXCD0116000	UPPER DOWEL BUSHING - ZP1 & ZP2 45/60/64/130/134/180/220/224	1
21	P1GX124584	DOWEL PIN - ZP1 & ZP2 45/60/64/130/134	1
22	P1GXCD0116100	LOWER DOWEL BUSHING - ZP1 & ZP2 45/60/64/130/134/180/220/224	1
23	P1GX124586	DOWEL PIN - ZP1 & ZP2 45/60/64/130/134	1



Exploded View

Optional Items Shown in ITALICS

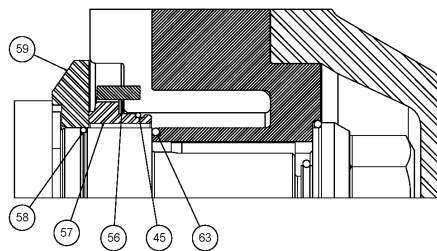
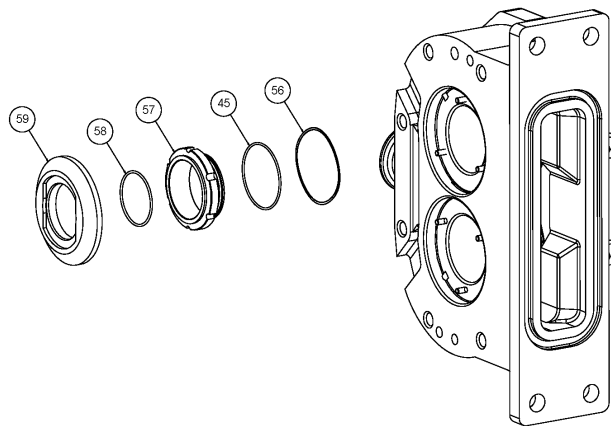
Ref #	Component Item No.	Description	Qty Per
24	P1SX070CEGUARD	GUARD,45-134,(CE),GC,SS	2
25	P1GXEYEBOLT-SS	EYE BOLT,60-224,SS	2
26	P1GX000CENAIL	DRIVENAIL,ZP,GEAR CASE GUARDS	4
27	P1GX107187	GEAR TO REAR BEARING SPACER - ZP1 & ZP2 45/60/64/130/134	2
28	P1GX107186	REAR BEARING - ZP1 & ZP2 45/60/64/130/134	2
29	P1GX060055003	BEARING SPACER - ZP1 & ZP2 45/60/64/130/134	2
30	P1GX117891	SHIM KIT - ZP1 & ZP2 45/60/64/130/134	2
31	P1GX060036000	FRONT BEARING - ZP1 & ZP2 45/60/64/130/134	2
32	P1GX000037003	DRIVE KEY, 3/8" SQ. X 1-5/8" - ZP1 & ZP2 45/60/64/130/134	1
33	P2SX108413	DRIVE SHAFT (17-4PH) - ZP2 130/134	1
34	P2SX108414	SHORT SHAFT (17-4PH) - ZP2 130/134	1
35	P2SX101825	ROTOR KEY - ZP2 130/134	2
36	P1SX121828	BEARING RETAINER, NEW STYLE 3A - ZP1 & ZP2 60/64/130/134	2
37	P2GX101829	BEARING RETAINER GREASE SEAL - ZP2 45/60/64/130/134	2
39	P2BDY134001000	BODY - ZP2 134	1
	<i>P2BDY134001F00</i>	<i>BODY - ZP2 134 - FLUSHED</i>	1
40	P2GX101720	STOP PIN,SEAL - ZP2 45/60/64/130/134/180/220/224	6
41	N70369	O-RING, RECTANGULAR FLANGE (BUNA) - ZP1 & ZP2 134	1
	<i>E70369</i>	<i>O-RING, RECTANGULAR FLANGE (EPDM) - ZP1 & ZP2 134</i>	1
	<i>V70369</i>	<i>O-RING, RECTANGULAR FLANGE (VITON) - ZP1 & ZP2 134</i>	1
42	P1GX124582	DOWEL PIN - ZP1 & ZP2 45/60/64/130/134	1
43	P1GX124583	DOWEL PIN - ZP1 & ZP2 45/60/64/130/134	1
44	P1GX30-423	CAPSCRW,SH,5/16-18X4,18-8SS SCKT HD	2
45	N70035	O-RING, INNER SEAL (BUNA) - ZP2 45/60/64/130/134	2
	<i>E70035</i>	<i>O-RING, INNER SEAL (EPDM) - ZP2 45/60/64/130/134</i>	2
	<i>V70035</i>	<i>O-RING, INNER SEAL (VITON) - ZP2 45/60/64/130/134</i>	2
46	P2RTB130010000	ROTOR TWIN BLADE - ZP2 130 (STD) - ALLOY 88	2



Exploded View

Optional Items Shown in ITALICS

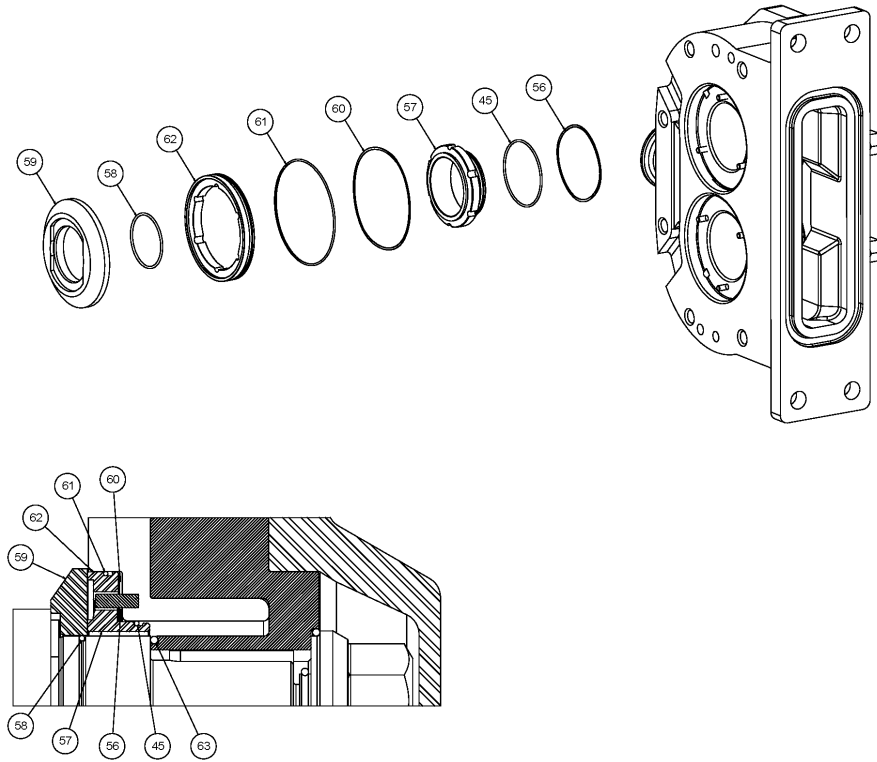
Ref #	Component Item No.	Description	Qty Per
46	<i>P2RTB13001000H</i>	<i>ROTOR TWIN BLADE - ZP2 130 (STD) - ALLOY 88 - HOT CLEARANCE</i>	2
	<i>P2RTB1300100HC</i>	<i>ROTOR TWIN BLADE - ZP2 130 (STD) - ALLOY 88 - HOT CHOCOLATE</i>	2
	<i>P2RTB130010200</i>	<i>ROTOR TWIN BLADE - ZP2 130 (STD) - 316L</i>	2
47	N70227	O-RING, ROTOR NUT (BUNA) - ZP2 45/60/64/130/134	2
	<i>E70227</i>	<i>O-RING, ROTOR NUT (EPDM) - ZP2 45/60/64/130/134</i>	2
	<i>V70227</i>	<i>O-RING, ROTOR NUT (VITON) - ZP2 45/60/64/130/134</i>	2
48	N70119	O-RING, RETAINER (BUNA) - ZP2 45/60/64/130/134	2
	<i>E70119</i>	<i>O-RING, RETAINER (EPDM) - ZP2 45/60/64/130/134</i>	2
	<i>V70119</i>	<i>O-RING, RETAINER (VITON) - ZP2 45/60/64/130/134</i>	2
49	P2GX101693	BELLEVILLE WASHER, SS - ZP2 45/60/64/130/134	2
50	P2SX101806	ROTOR NUT - ZP2 45/60/64/130/134	2
51	N70373	O-RING, COVER (BUNA) - ZP2 45/60/64/130/134	1
	<i>E70373</i>	<i>O-RING, COVER (EPDM) - ZP2 45/60/64/130/134</i>	1
	<i>V70373</i>	<i>O-RING, COVER (VITON) - ZP2 45/60/64/130/134</i>	1
52	P2CVR101848	COVER - ZP2 45/60/64/130/134	1
	<i>P2CVR107668</i>	<i>COVER, JACKETED - ZP2 45/60/64/130/134</i>	1
53	P1SX108371	COVER HEX NUT - ZP1 & ZP2 45/60/64/130/134	8
	<i>P1GX105852</i>	<i>WING NUT - ZP1 & ZP2 45/60/64/130/134</i>	8
55	P2SX070SPATE	BEARING RETAINER SPLASH PLATE - ZP2 45/60/64/130/134	2
900	P1GXAD0096001	PICK,COMBO,O-RING ZP1 ZP2	1
901	P1GX000140003	OIL,460FG,MAGNAPLT,1GAL ZP	1
902	P1GX000140002	GREASE,HALO GUARD,14OZ TUBE ZP	1
903	P1GXRTVSEAL	SILICONE,DOW,732,30Z ZP1 ZP2	1



Single Mechanical Seal

Optional Items Shown in ITALICS

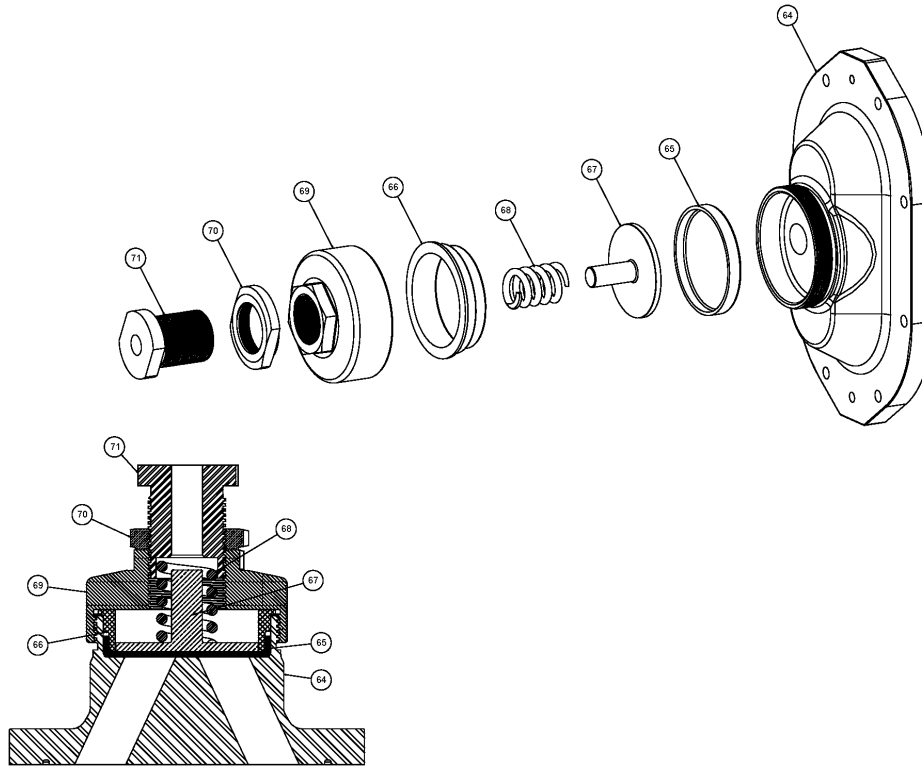
Ref #	Component Item No.	Description	Qty Per
45	N70035	O-RING, INNER SEAL (BUNA) - ZP2 45/60/64/130/134	2
	<i>E70035</i>	<i>O-RING, INNER SEAL (EPDM) - ZP2 45/60/64/130/134</i>	2
	<i>V70035</i>	<i>O-RING, INNER SEAL (VITON) - ZP2 45/60/64/130/134</i>	2
56	P2GS101687	INNER SEAL WAVE SPRING - ZP2 45/60/64/130/134	2
57	P2GS101660	INNER SEAL (K) - ZP2 45/60/64/130/134	2
	<i>P2GS101661</i>	<i>INNER SEAL (C) ZP2 45/60/64/130/134</i>	2
	<i>P2GS101659</i>	<i>INNER SEAL (N) - ZP2 45/60/64/130/134</i>	2
58	N70133	O-RING, SHAFT (BUNA) - ZP2 45/60/64/130/134	2
	<i>E70133</i>	<i>O-RING, SHAFT (EPDM) - ZP2 45/60/64/130/134</i>	2
	<i>V70133</i>	<i>O-RING, SHAFT (VITON) - ZP2 45/60/64/130/134</i>	2
59	P2GS101674	SEAL SEAT (C) ZP2 45/60/64/130/134	2
	<i>P2GS101673</i>	<i>SEAL SEAT (K) ZP2 45/60/64/130/134</i>	2
63	N70224	O-RING, ROTOR HUB (BUNA) - ZP2 45/60/64/130/134	2
	<i>E70224</i>	<i>O-RING, ROTOR HUB (EPDM) - ZP2 45/60/64/130/134</i>	2
	<i>V70224</i>	<i>O-RING, ROTOR HUB (VITON) - ZP2 45/60/64/130/134</i>	2



Double Mechanical Seal

Optional Items Shown in ITALICS

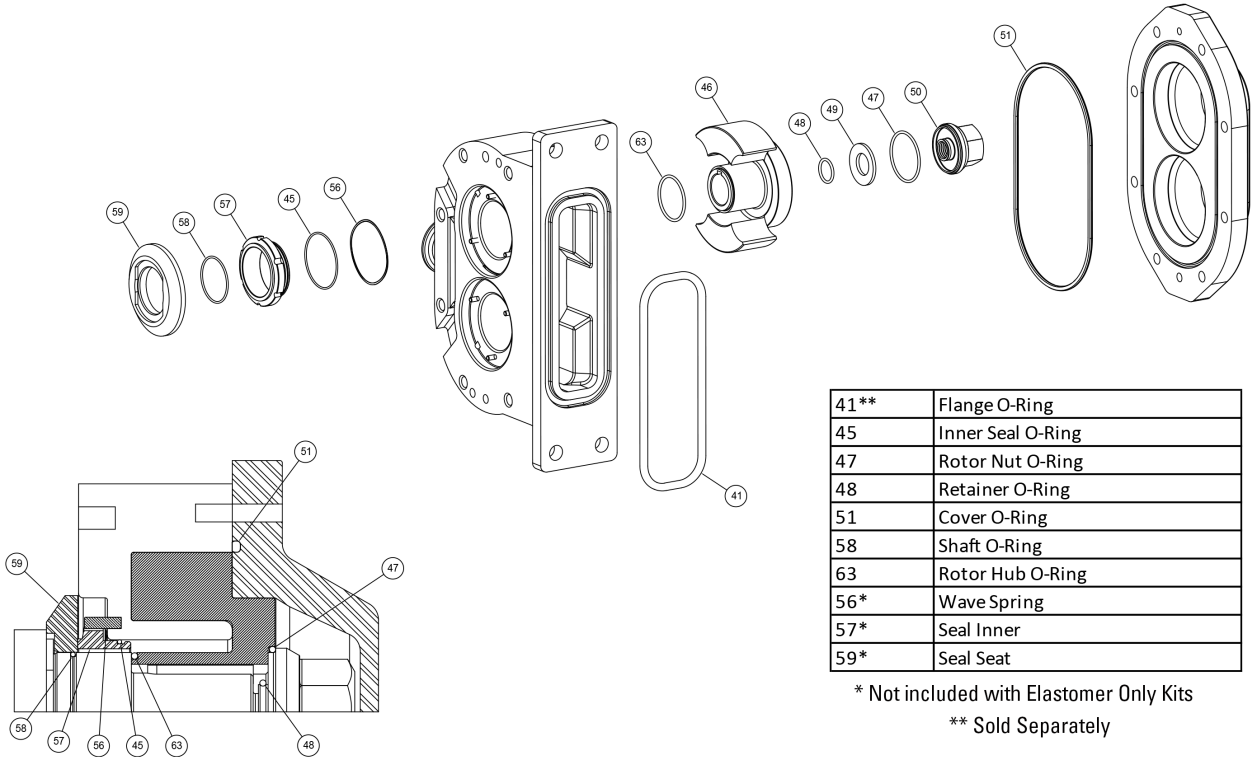
Ref #	Component Item No.	Description	Qty Per
45	N70035	O-RING, INNER SEAL (BUNA) - ZP2 45/60/64/130/134	2
	<i>E70035</i>	<i>O-RING, INNER SEAL (EPDM) - ZP2 45/60/64/130/134</i>	2
	<i>V70035</i>	<i>O-RING, INNER SEAL (VITON) - ZP2 45/60/64/130/134</i>	2
56	P2GS101687	INNER SEAL WAVE SPRING - ZP2 45/60/64/130/134	2
57	P2GS101660	INNER SEAL (K) - ZP2 45/60/64/130/134	2
	<i>P2GS101661</i>	<i>INNER SEAL (C) ZP2 45/60/64/130/134</i>	2
	<i>P2GS101659</i>	<i>INNER SEAL (N) - ZP2 45/60/64/130/134</i>	2
58	N70133	O-RING, SHAFT (BUNA) - ZP2 45/60/64/130/134	2
	<i>E70133</i>	<i>O-RING, SHAFT (EPDM) - ZP2 45/60/64/130/134</i>	2
	<i>V70133</i>	<i>O-RING, SHAFT (VITON) - ZP2 45/60/64/130/134</i>	2
59	P2GS101674	SEAL SEAT (C) ZP2 45/60/64/130/134	2
	<i>P2GS101673</i>	<i>SEAL SEAT (K) ZP2 45/60/64/130/134</i>	2
60	P2GS101688	OUTER SEAL WAVE SPRING - ZP2 45/60/64/130/134	2
61	N70043	O-RING, OUTER SEAL (BUNA) - ZP2 45/60/64/130/134	2
	<i>E70043</i>	<i>O-RING, OUTER SEAL (EPDM) - ZP2 45/60/64/130/134</i>	2
	<i>V70043</i>	<i>O-RING, OUTER SEAL (VITON) - ZP2 45/60/64/130/134</i>	2
62	P2GS101681	OUTER SEAL (N) ZP2 45/60/64/130/134	2
63	N70224	O-RING, ROTOR HUB (BUNA) - ZP2 45/60/64/130/134	2
	<i>E70224</i>	<i>O-RING, ROTOR HUB (EPDM) - ZP2 45/60/64/130/134</i>	2
	<i>V70224</i>	<i>O-RING, ROTOR HUB (VITON) - ZP2 45/60/64/130/134</i>	2



Pressure Relief Cover

Optional Items Shown in ITALICS

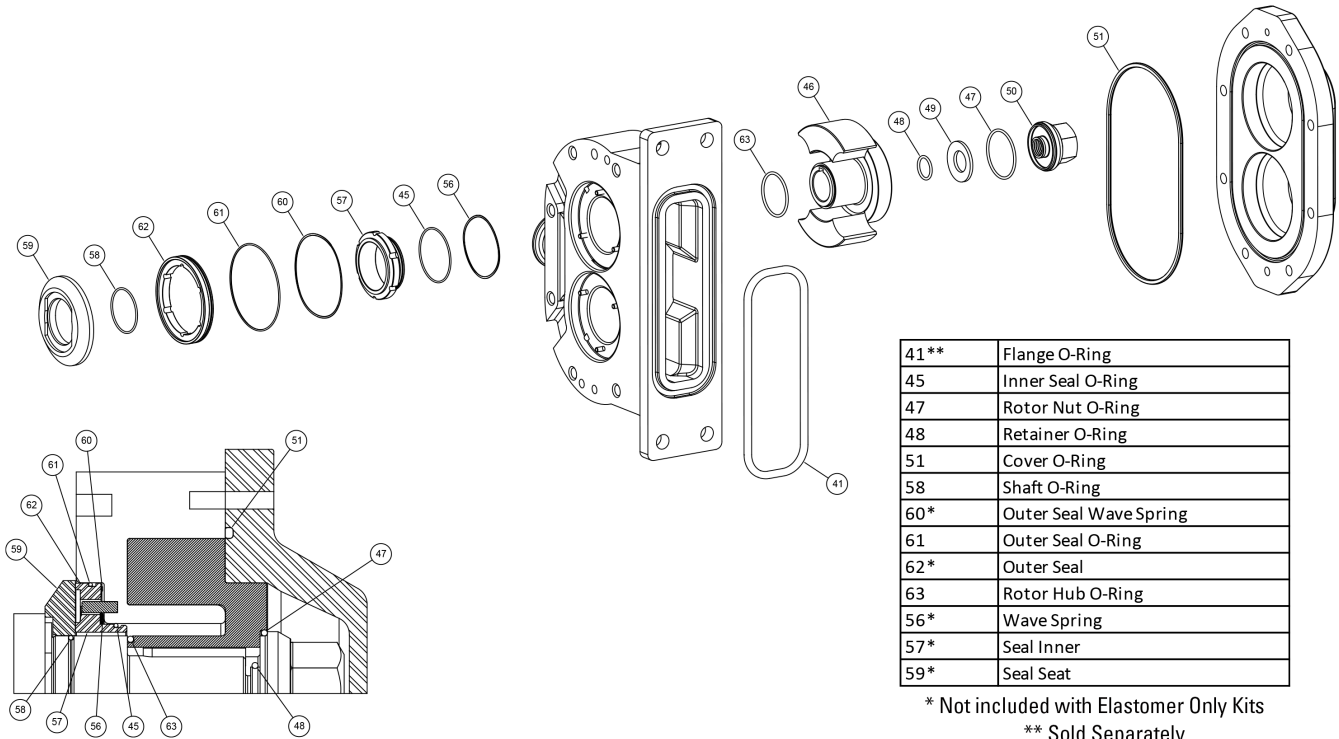
Ref #	Component Item No.	Description	Qty Per
64	P2CVR103671	VENTED FRONT COVER, ZP2 - 45/60/64/130/134	1
65	P1GXCD0078000	RUBBER DIAPHRAGM, BUNA, ZP1 & ZP2 & ZP3 - 60/64/130/134	1
	<i>P1GXCD0078E00</i>	<i>RUBBER DIAPHRAGM, EPDM, ZP1 & ZP2 & ZP3 - 60/64/130/134</i>	1
	<i>P1GXCD0078V00</i>	<i>RUBBER DIAPHRAGM, VITON, ZP1 & ZP2 & ZP3 - 60/64/130/134</i>	1
66	P1SXCD0077000	DIAPHRAGM BUSHING, ZP1 & ZP2 & ZP3 - 60/64/130/134	1
67	P1SX113397	SPRING PLUNGER, ZP1 & ZP2 & ZP3 - 60/64/130/134	1
68	P1SX113523	SPRING, MEDIUM, (LESS THAN 150 PSI), ZP1 & ZP2 & ZP3 - 60/64/130/134	1
	<i>P1SX113400</i>	<i>SPRING, HIGH, (MORE THAN 150 PSI), ZP1 & ZP2 & ZP3 - 60/64/130/134</i>	1
69	P1SX113398	COVER NUT, ZP1 & ZP2 & ZP3 - 60/64/130/134	1
70	P1SXGD0074000	LOCKNUT, ZP1 & ZP2 & ZP3 - 60/64/130/134/180/184/220/224	1
71	P1SX113657	ADJUSTING SCREW, ZP1 & ZP2 & ZP3 - 60/64/130/134/180/184/220/224	1



Single Mechanical Seal Kit

Optional Items Shown in ITALICS

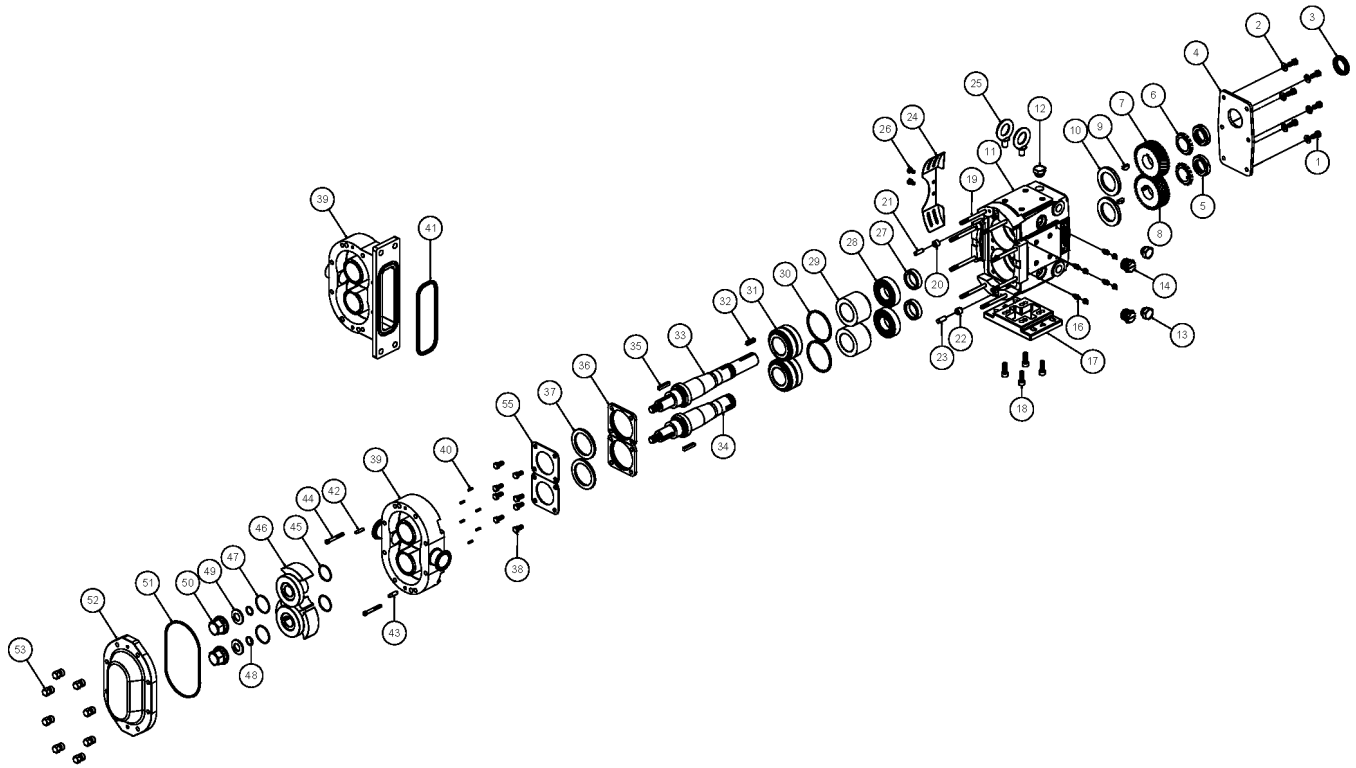
Ref #	Component Item No.	Description	Qty Per
1	P2GX060000-N	SEAL KIT, SGL MECH, ELASTOMERS ONLY, BUNA - ZP2 45/60/64/130/134	1
	<i>P2GX060000-E</i>	<i>SEAL KIT, SGL MECH, ELASTOMERS ONLY, EPDM - ZP2 45/60/64/130/134</i>	<i>1</i>
	<i>P2GX060000-V</i>	<i>SEAL KIT, SGL MECH, ELASTOMERS ONLY, VITON - ZP2 45/60/64/130/134</i>	<i>1</i>
2	P2GS060000-N	SEAL KIT, SGL MECH, SC/CA, BUNA - ZP2 45/60/64/130/134	1
	<i>P2GS060000-E</i>	<i>SEAL KIT, SGL MECH, SC/CA, EPDM - ZP2 45/60/64/130/134</i>	<i>1</i>
	<i>P2GS060000-V</i>	<i>SEAL KIT, SGL MECH, SC/CA, VITON - ZP2 45/60/64/130/134</i>	<i>1</i>
3	P2GS060020-N	SEAL KIT, SGL MECH, CE/CA, BUNA - ZP2 45/60/64/130/134	1
	<i>P2GS060020-E</i>	<i>SEAL KIT, SGL MECH, CE/CA, EPDM - ZP2 45/60/64/130/134</i>	<i>1</i>
	<i>P2GS060020-V</i>	<i>SEAL KIT, SGL MECH, CE/CA, VITON - ZP2 45/60/64/130/134</i>	<i>1</i>
4	<i>P2GS060030-V</i>	<i>SEAL KIT, SGL MECH, CE/CE, VITON - ZP2 45/60/64/130/134</i>	<i>1</i>
5	P2GS060010-N	SEAL KIT, SGL MECH, SC/SC, BUNA - ZP2 45/60/64/130/134	1
	<i>P2GS060010-E</i>	<i>SEAL KIT, SGL MECH, SC/SC, EPDM - ZP2 45/60/64/130/134</i>	<i>1</i>
	<i>P2GS060010-V</i>	<i>SEAL KIT, SGL MECH, SC/SC, VITON - ZP2 45/60/64/130/134</i>	<i>1</i>
49	P2GX101693	BELLEVILLE WASHER, SS - ZP2 45/60/64/130/134	2
50	P2SX101806	ROTOR NUT - ZP2 45/60/64/130/134	2



Double Mechanical Seal Kit

Optional Items Shown in ITALICS

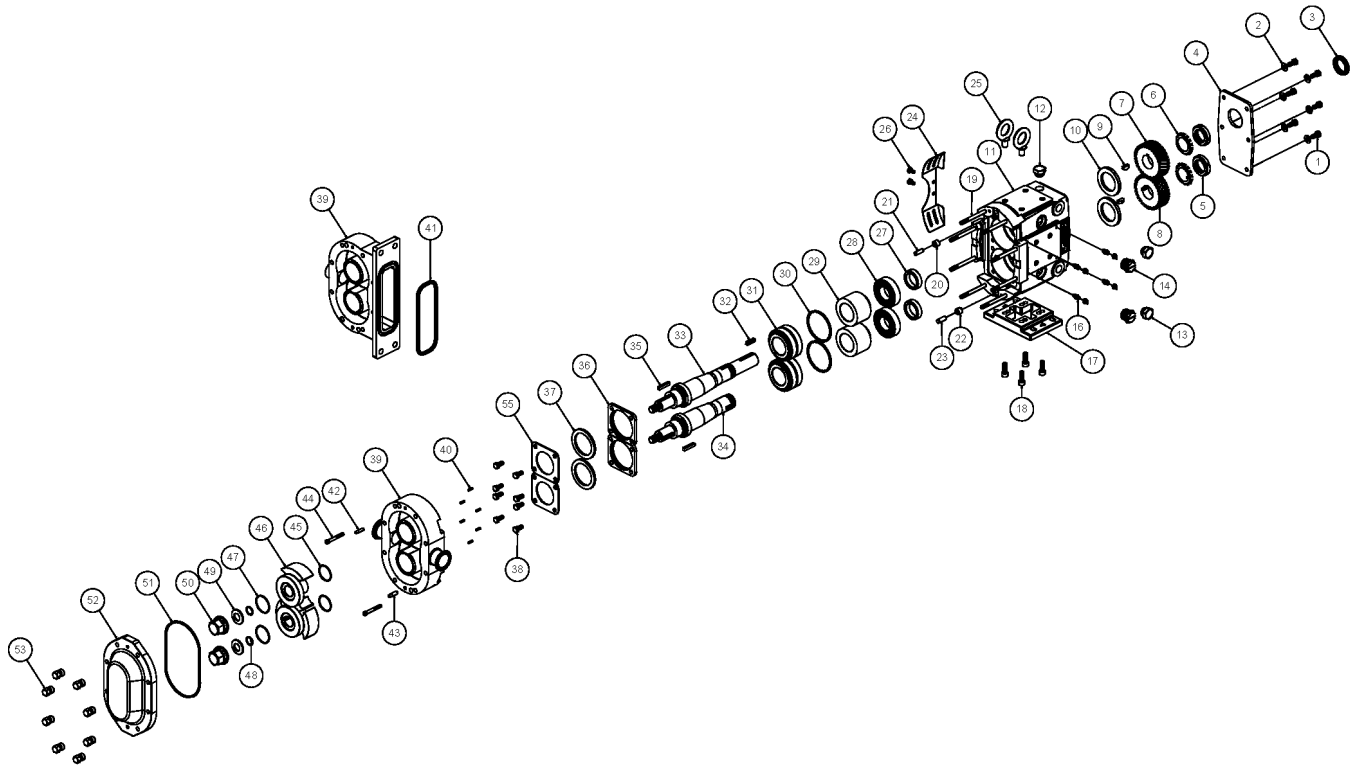
Ref #	Component Item No.	Description	Qty Per
1	P2GX060200-N	SEAL KIT, DBL MECH, ELASTOMERS ONLY, BUNA - ZP2 45/60/64/130/134	1
	<i>P2GX060200-E</i>	<i>SEAL KIT, DBL MECH, ELASTOMERS ONLY, EPDM - ZP2 45/60/64/130/134</i>	<i>1</i>
	<i>P2GX060200-V</i>	<i>SEAL KIT, DBL MECH, ELASTOMERS ONLY, VITON - ZP2 45/60/64/130/134</i>	<i>1</i>
2	P2GS060200-N	SEAL KIT, DBL MECH, SC/CA/CA, BUNA - ZP2 45/60/64/130/134	1
	<i>P2GS060200-E</i>	<i>SEAL KIT, DBL MECH, SC/CA/CA, EPDM - ZP2 45/60/64/130/134</i>	<i>1</i>
	<i>P2GS060200-V</i>	<i>SEAL KIT, DBL MECH, SC/CA/CA, VITON - ZP2 45/60/64/130/134</i>	<i>1</i>
3	P2GS060220-N	SEAL KIT, DBL MECH, CE/CA/CA, BUNA - ZP2 45/60/64/130/134	1
	<i>P2GS060220-E</i>	<i>SEAL KIT, DBL MECH, CE/CA/CA, EPDM - ZP2 45/60/64/130/134</i>	<i>1</i>
	<i>P2GS060220-V</i>	<i>SEAL KIT, DBL MECH, CE/CA/CA, VITON - ZP2 45/60/64/130/134</i>	<i>1</i>
4	P2GS060230-N	SEAL KIT, DBL MECH, CE/CE/CA, BUNA - ZP2 45/60/64/130/134	1
5	P2GS060210-N	SEAL KIT, DBL MECH, SC/SC/CA, BUNA - ZP2 45/60/64/130/134	1
	<i>P2GS060210-E</i>	<i>SEAL KIT, DBL MECH, SC/SC/CA, EPDM - ZP2 45/60/64/130/134</i>	<i>1</i>
	<i>P2GS060210-V</i>	<i>SEAL KIT, DBL MECH, SC/SC/CA, VITON - ZP2 45/60/64/130/134</i>	<i>1</i>
49	P2GX101693	BELLEVILLE WASHER, SS - ZP2 45/60/64/130/134	2
50	P2SX101806	ROTOR NUT - ZP2 45/60/64/130/134	2



Exploded View

Optional Items Shown in ITALICS

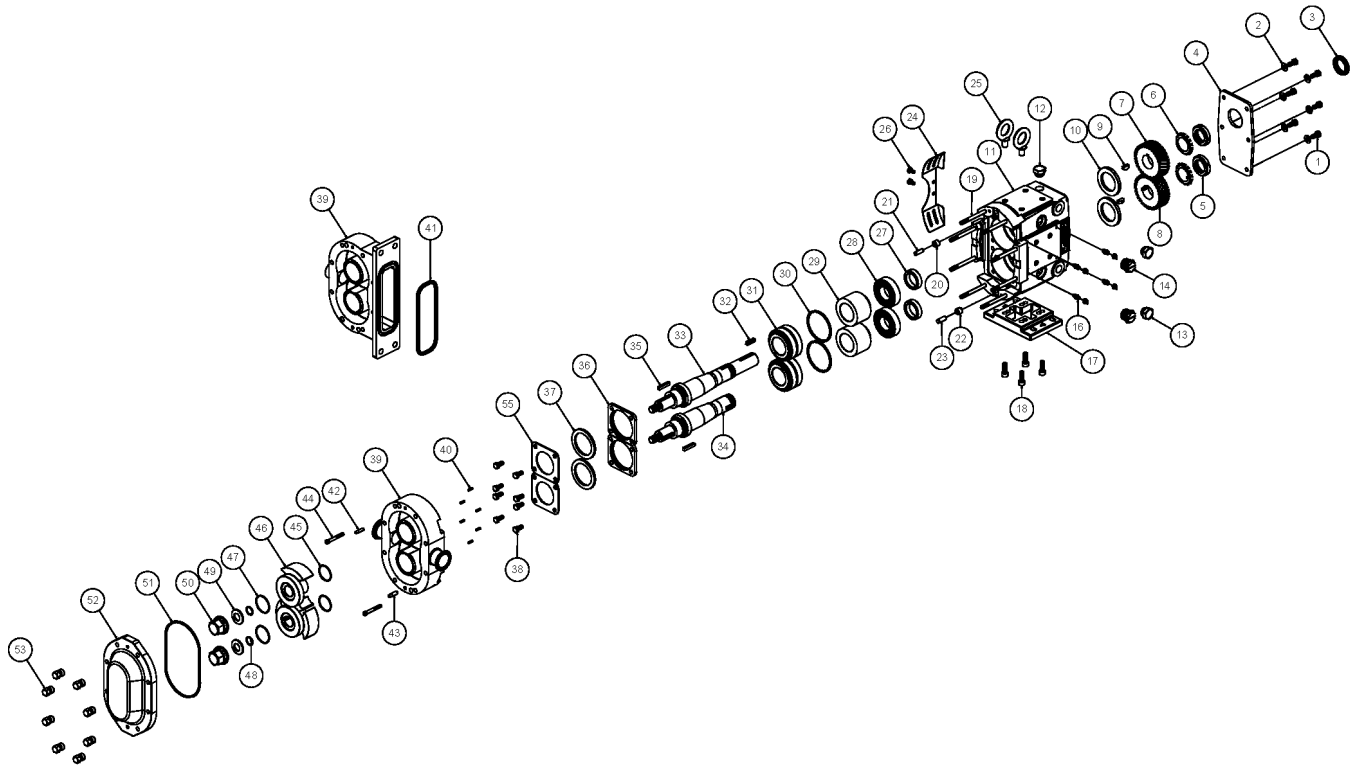
Ref #	Component Item No.	Description	Qty Per
1	P1GX30-50	GEAR CASE COVER BOLT - 3/8-16 X 3/4 HHCS (18-8 SS)	6
2	P1GX43-189	GEAR CASE COVER WASHER - 3/8 FLAT WASHER (18-8 SS)	6
3	P1GXSTD030006-ND	OIL SEAL, PTFE, GEAR CASE COVER - ZP1 & ZP2 220/223/224	1
	<i>P1GXSTD030006</i>	<i>OIL SEAL, GEAR CASE COVER - ZP1 & ZP2 220/223/224</i>	<i>1</i>
4	P1SX230106000	GEAR CASE COVER, SS - ZP1 & ZP2 180/220/224	1
5	P1GXSTD236011	GEAR LOCKNUT ZP1 & ZP2 220/223/224	2
6	P1GXSTD136011	GEAR LOCKWASHER ZP1 & ZP2 220/223/224	2
7	P1GX220007001	GEAR DRIVE SHAFT ZP1 & ZP2 180/220/224	1
8	P1GX220007002	GEAR SHORT SHAFT ZP1 & ZP2 180/220/224	1
9	P1GX200037000	GEAR KEY - ZP1 & ZP2 180/220/224	2
10	P1GXSTD119002	OIL SEAL REAR - ZP1 & ZP2 220/223/224	2
11	P1SX230005000	GEAR CASE, SS - ZP1 & ZP2 180/220/224	1
12	P1GX115798	PLUG,HEX,20M X1.5,W/NBR SEAL	5
13	P1GX115799	GAUGE,OIL,LVL,INDIC,M-20X1.5	1
14	P1GX70PLUG-SS	CLEAN OUT PLUG, SS - ZP1 & ZP2 45/60/64/130/134	4
	<i>P1GX70PLUG</i>	<i>CLEAN OUT PLUG, YELLOW - ZP1 & ZP2 45/60/64/130/134</i>	<i>4</i>
16	P1GXBD0092001	GREASE FITTING, THREADED 1/4"-28 TAPER, SS	8
17	P1SX230110000	GEAR CASE BASE, SS - ZP1 & ZP2 180/220/224	1
18	P1GX30-44	SHCS, G. CASE BASE, (18-8 SS) 1/2-13 X 2" ZP1 & ZP2 220/223	4
19	P1GX107243	STUD, ZP2 180	8
20	P1GXCD0116000	UPPER DOWEL BUSHING - ZP1 & ZP2 45/60/64/130/134/180/220/224	1
21	P1GX124584	DOWEL PIN - ZP1 & ZP2 45/60/64/130/134	1
22	P1GXCD0116100	LOWER DOWEL BUSHING - ZP1 & ZP2 45/60/64/130/134/180/220/224	1
23	P1GX124586	DOWEL PIN - ZP1 & ZP2 45/60/64/130/134	1
24	P1SX230CEGUARD	GUARD,180-224,(CE),GC,SS	2
25	P1GXEYEBOLT-SS	EYE BOLT,60-224,SS	2



Exploded View

Optional Items Shown in ITALICS

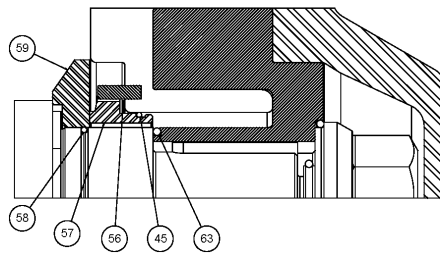
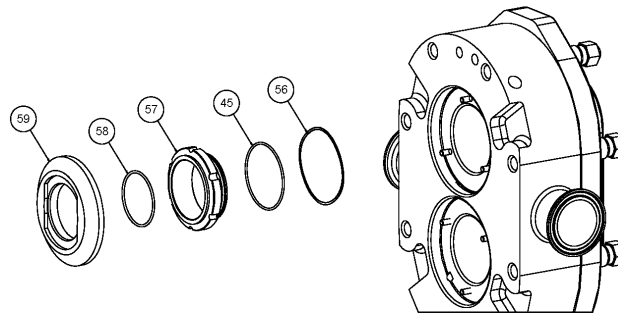
Ref #	Component Item No.	Description	Qty Per
26	P1GX000CENAIL	DRIVENAIL,ZP,GEAR CASE GUARDS	4
27	P1GX40878	GEAR TO REAR BEARING SPACER - ZP1 & ZP2 180/184/220/223/224	2
28	P1GX200035000	REAR BEARING - ZP1 & ZP2 220/223/224	2
29	P1GX40752	BEARING SPACER - ZP1 & ZP2 180/184/220/223/224	2
30	P1GX117892	SHIM KIT - ZP1 & ZP2 180/220/224	2
31	P1GX200036000	FRONT BEARING - ZP1 & ZP2 220/223/224	2
32	P1GX000037004	DRIVE KEY, 1/2" SQ. X 1" - ZP1 & ZP2 180/184/220/224	1
33	P2SX110023	DRIVE SHAFT (17-4PH) - ZP2 180/184	1
34	P2SX110024	SHORT SHAFT (17-4PH) - ZP2 180/184	1
35	P2SX101828	ROTOR KEY - ZP2 180/184	2
36	P1SX121829	BEARING RETAINER, NEW STYLE 3A - ZP1 & ZP2 180/220/224	2
37	P1GXSTD030002-ND	GREASE SEAL, PTFE, FRONT BEARING RET. - ZP1 & ZP2 220/223/224	2
	<i>P1GXSTD030002</i>	<i>GREASE SEAL FRONT BEARING RET. - ZP1 & ZP2 220/223/224</i>	2
39	P2BDY180001000	BODY - ZP2 180	1
	<i>P2BDY180001F00</i>	<i>BODY - ZP2 180 - FLUSHED</i>	1
40	P2GX101720	STOP PIN, SEAL	6
42	P1GX124584	DOWEL PIN - ZP1 & ZP2 45/60/64/130/134	1
43	P1GX124586	DOWEL PIN - ZP1 & ZP2 45/60/64/130/134	1
44	P1GX130RETSCREW	BODY RETAINING SCREW, 3/8-16 X 4, 18-8SS - ZP2 180/184	2
45	N70041	O-RING, INNER SEAL (BUNA) - ZP2 180/184/220/224	2
	<i>E70041</i>	<i>O-RING, INNER SEAL (EPDM) - ZP2 180/184/220/224</i>	2
	<i>V70041</i>	<i>O-RING, INNER SEAL (VITON) - ZP2 180/184/220/224</i>	2
46	P2RTB180010000	ROTOR TWIN BLADE - ALLOY 88 - ZP2 180	2
	<i>P2RTB18001000H</i>	<i>ROTOR TWIN BLADE - ALLOY 88 - ZP2 180 - HOT CLEARANCE</i>	2
	<i>P2RTB180010200</i>	<i>ROTOR TWIN BLADE - 316L - ZP2 180</i>	2



Exploded View

Optional Items Shown in ITALICS

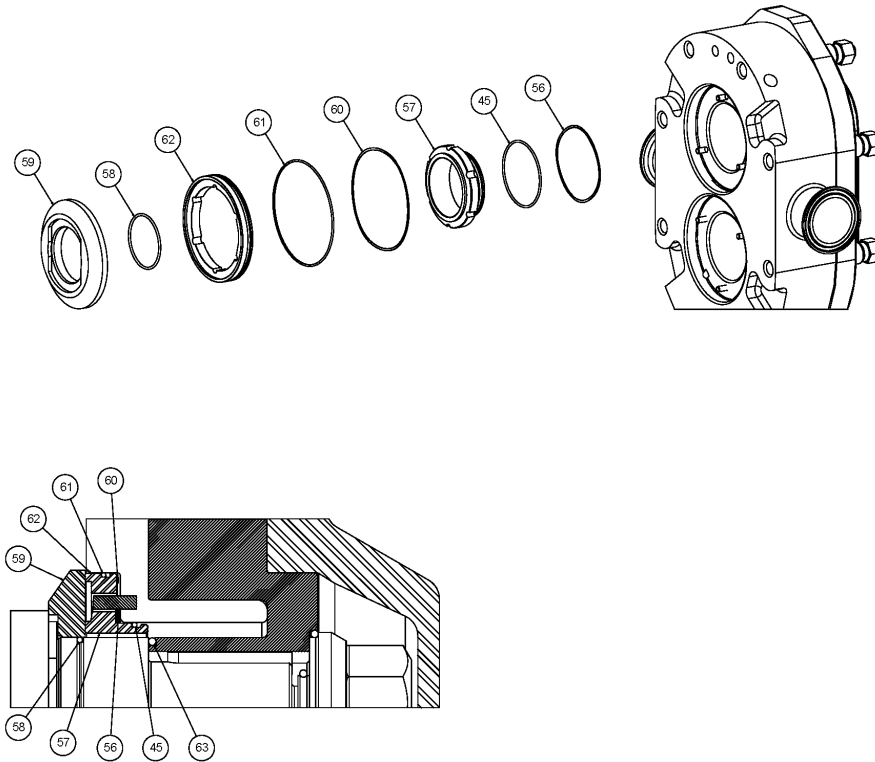
Ref #	Component Item No.	Description	Qty Per
46	<i>P2RSW180010000</i>	<i>ROTOR SINGLE WING - ALLOY 88 - ZP2 180</i>	2
47	N70235	O-RING, ROTOR NUT (BUNA) - ZP2 180/184/220/224	2
	<i>E70235</i>	<i>O-RING, ROTOR NUT (EPDM) - ZP2 180/184/220/224</i>	2
	<i>V70235</i>	<i>O-RING, ROTOR NUT (VITON) - ZP2 180/184/220/224</i>	2
48	N70122	O-RING, RETAINER (BUNA) - ZP2 180/220/224	2
	<i>E70122</i>	<i>O-RING, RETAINER (EPDM) - ZP2 180/220/224</i>	2
	<i>V70122</i>	<i>O-RING, RETAINER (VITON) - ZP2 180/220/224</i>	2
49	P2GX101694	BELLEVILLE WASHER, SS - ZP2 180/220/224	2
50	P2SX101807	ROTOR NUT - ZP2 180/220/224	2
51	N70381	O-RING, COVER (BUNA) - ZP2 180/184/220/224	1
	<i>E70381</i>	<i>O-RING, COVER (EPDM) - ZP2 180/184/220/224</i>	1
	<i>V70381</i>	<i>O-RING, COVER (VITON) - ZP2 180/184/220/224</i>	1
52	P2CVR101851	COVER - ZP2 180/184/220/224	1
	<i>P2CVR107670</i>	<i>COVER, JACKETED - ZP2 180/184/220/224</i>	1
53	P1SX108372	COVER HEX NUT - ZP1 & ZP2 180/220/224	8
	<i>P1GX105853</i>	<i>WING NUT - ZP1 & ZP2 180/220/224</i>	8
55	P1SX230SPATE	BEARING RETAINER SPLASH PLATE - ZP1 & ZP2 180/220/224	2
900	P1GXAD0096001	PICK,COMBO,O-RING ZP1 ZP2	1
901	P1GX000140003	OIL,460FG,MAGNAPLT,1GAL ZP	1
902	P1GX000140002	GREASE,HALO GUARD,14OZ TUBE ZP	1
903	P1GXRTVSEAL	SILICONE,DOW,732,30Z ZP1 ZP2	1



Single Mechanical Seal

Optional Items Shown in ITALICS

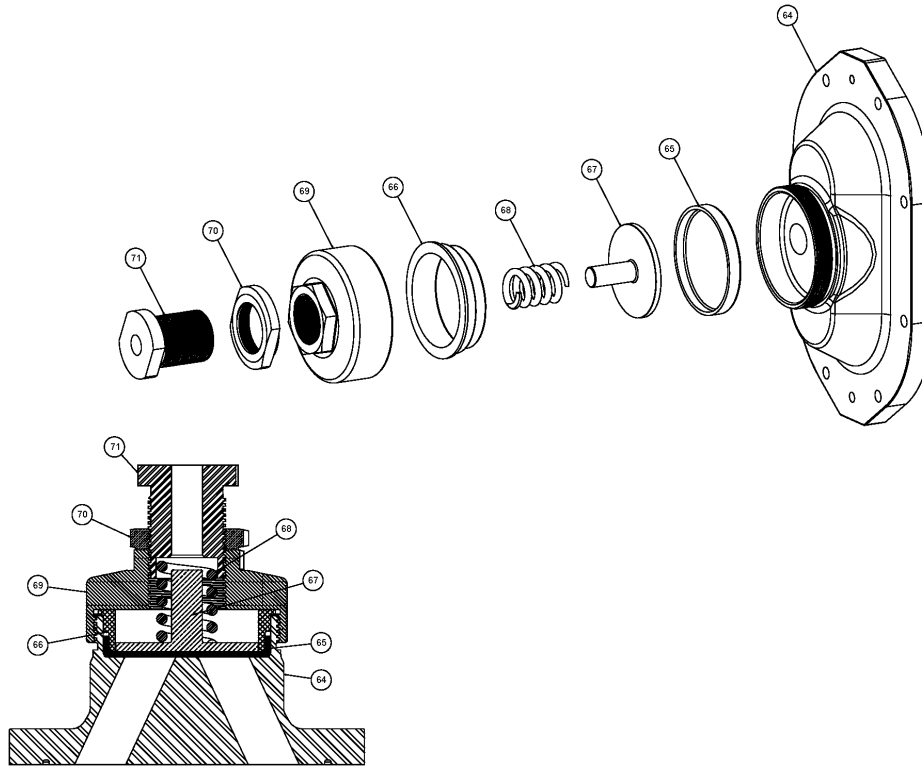
Ref #	Component Item No.	Description	Qty Per
45	N70041	O-RING, INNER SEAL (BUNA) - ZP2 180/184/220/224	2
	<i>E70041</i>	<i>O-RING, INNER SEAL (EPDM) - ZP2 180/184/220/224</i>	2
	<i>V70041</i>	<i>O-RING, INNER SEAL (VITON) - ZP2 180/184/220/224</i>	2
56	P2GS101689	INNER SEAL WAVE SPRING - ZP2 180/184/220/224	2
57	P2GS101664	INNER SEAL (K) - ZP2 180/184/220/224	2
	<i>P2GS101665</i>	<i>INNER SEAL (C) ZP2 180/184/220/224</i>	2
	<i>P2GS101663</i>	<i>INNER SEAL (N) - ZP2 180/184/220/224</i>	2
58	N70145	O-RING, SHAFT (BUNA) - ZP2 180/184/220/224	2
	<i>E70145</i>	<i>O-RING, SHAFT (EPDM) - ZP2 180/184/220/224</i>	2
	<i>V70145</i>	<i>O-RING, SHAFT (VITON) - ZP2 180/184/220/224</i>	2
59	P2GS101677	SEAL SEAT (C) ZP2 180/184/220/224	2
	<i>P2GS101676</i>	<i>SEAL SEAT (K) ZP2 180/184/220/224</i>	2
63	N70230	O-RING, ROTOR HUB (BUNA) - ZP2 180/184/220/224	2
	<i>E70230</i>	<i>O-RING, ROTOR HUB (EPDM) - ZP2 180/184/220/224</i>	2
	<i>V70230</i>	<i>O-RING, ROTOR HUB (VITON) - ZP2 180/184/220/224</i>	2



Double Mechanical Seal

Optional Items Shown in ITALICS

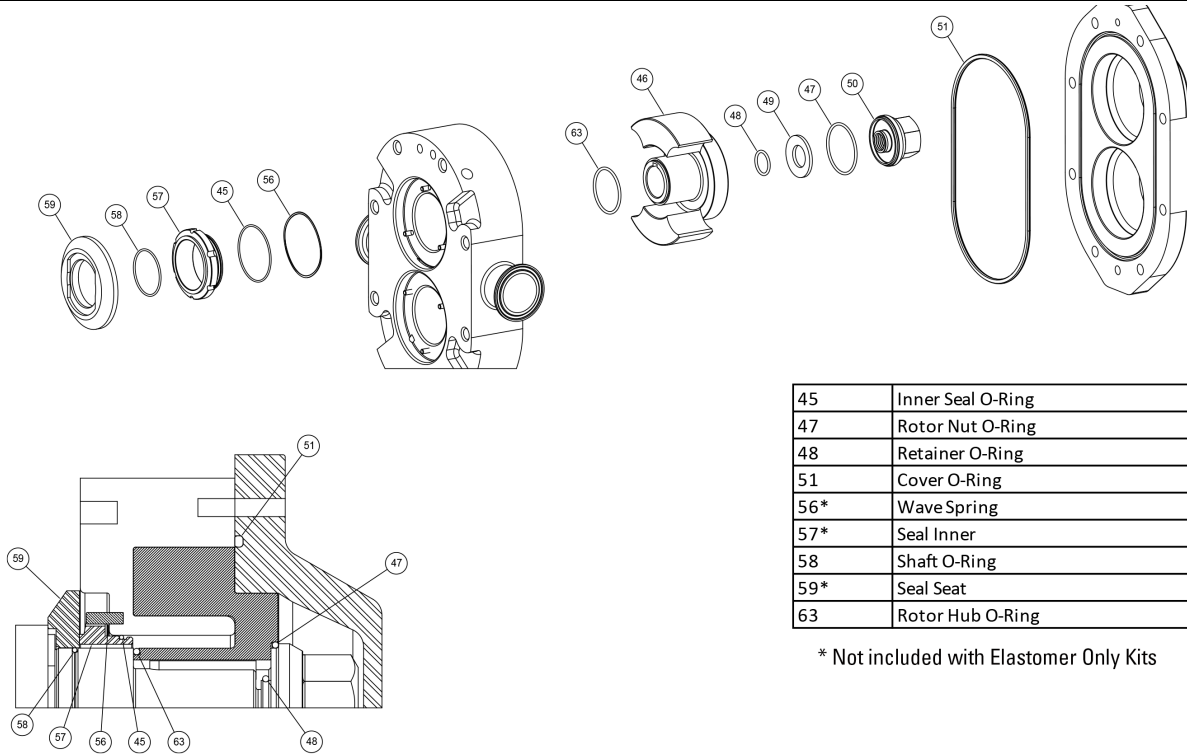
Ref #	Component Item No.	Description	Qty Per
45	N70041	O-RING, INNER SEAL (BUNA) - ZP2 180/184/220/224	2
	<i>E70041</i>	<i>O-RING, INNER SEAL (EPDM) - ZP2 180/184/220/224</i>	2
	<i>V70041</i>	<i>O-RING, INNER SEAL (VITON) - ZP2 180/184/220/224</i>	2
56	P2GS101689	INNER SEAL WAVE SPRING - ZP2 180/184/220/224	2
57	P2GS101664	INNER SEAL (K) - ZP2 180/184/220/224	2
	<i>P2GS101665</i>	<i>INNER SEAL (C) ZP2 180/184/220/224</i>	2
	<i>P2GS101663</i>	<i>INNER SEAL (N) - ZP2 180/184/220/224</i>	2
58	N70145	O-RING, SHAFT (BUNA) - ZP2 180/184/220/224	2
	<i>E70145</i>	<i>O-RING, SHAFT (EPDM) - ZP2 180/184/220/224</i>	2
	<i>V70145</i>	<i>O-RING, SHAFT (VITON) - ZP2 180/184/220/224</i>	2
59	P2GS101677	SEAL SEAT (C) ZP2 180/184/220/224	2
	<i>P2GS101676</i>	<i>SEAL SEAT (K) ZP2 180/184/220/224</i>	2
60	P2GS101690	OUTER SEAL WAVE SPRING - ZP2 220/224	2
61	N70046	O-RING, OUTER SEAL (BUNA) - ZP2 180/184/220/224	2
	<i>E70046</i>	<i>O-RING, OUTER SEAL (EPDM) - ZP2 180/184/220/224</i>	2
	<i>V70046</i>	<i>O-RING, OUTER SEAL (VITON) - ZP2 180/184/220/224</i>	2
62	P2GS101682	OUTER SEAL (N) ZP2 180/220/224	2
63	N70230	O-RING, ROTOR HUB (BUNA) - ZP2 180/184/220/224	2
	<i>E70230</i>	<i>O-RING, ROTOR HUB (EPDM) - ZP2 180/184/220/224</i>	2
	<i>V70230</i>	<i>O-RING, ROTOR HUB (VITON) - ZP2 180/184/220/224</i>	2



Pressure Relief Cover

Optional Items Shown in ITALICS

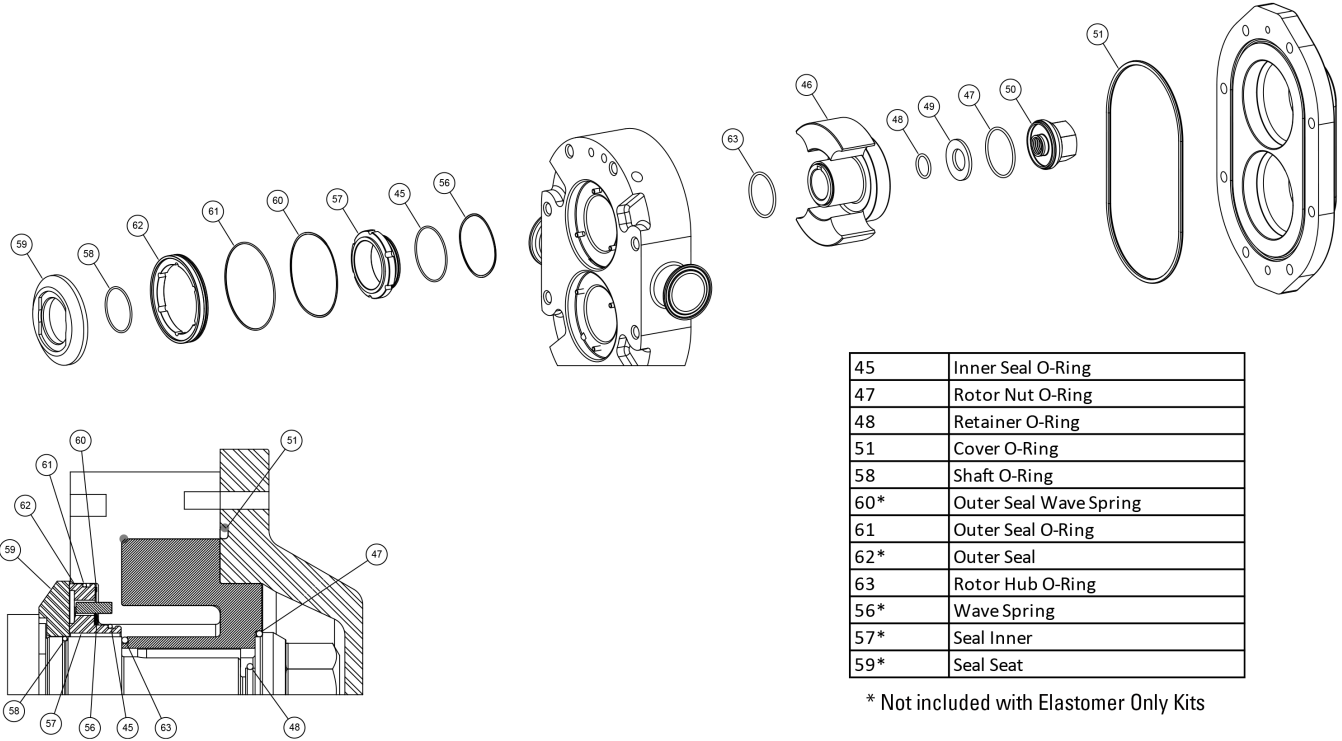
Ref #	Component Item No.	Description	Qty Per
64	P2CVR103672	VENTED FRONT COVER, ZP2 - 180/184/220/224	1
65	P1GXGD0078000	RUBBER DIAPHRAGM, BUNA, ZP1 & ZP2 & ZP3 - 180/184/220/224	1
	<i>P1GXGD0078V00</i>	<i>RUBBER DIAPHRAGM, VITON, ZP1 & ZP2 & ZP3 - 180/184/220/224</i>	1
66	P1SXGD0077000	DIAPHRAGM BUSHING, ZP1 & ZP2 & ZP3 - 180/184/220/224	1
67	P1SXGD0073000	SPRING PLUNGER, ZP1 & ZP2 & ZP3 - 180/184/220/224	1
68	P1SX113400	SPRING, MEDIUM, (LESS THAN 150 PSI), ZP1 & ZP2 & ZP3 - 180/184/220/224	1
	<i>P1SX113524</i>	<i>SPRING, HIGH, (MORE THAN 150 PSI), ZP1 & ZP2 & ZP3 - 180/184/220/224</i>	1
69	P1SXGD0075000	COVER NUT, ZP1 & ZP2 & ZP3 - 180/184/220/224	1
70	P1SXGD0074000	LOCKNUT, ZP1 & ZP2 & ZP3 - 60/64/130/134/180/184/220/224	1
71	P1SX113657	ADJUSTING SCREW, ZP1 & ZP2 & ZP3 - 60/64/130/134/180/184/220/224	1



Single Mechanical Seal Kit

Optional Items Shown in ITALICS

Ref #	Component Item No.	Description	Qty Per
1	P2GX220000-N	SEAL KIT, SGL MECH, ELASTOMERS ONLY, BUNA - ZP2 180/184/220/224	1
	<i>P2GX220000-E</i>	<i>SEAL KIT, SGL MECH, ELASTOMERS ONLY, EPDM - ZP2 180/184/220/224</i>	<i>1</i>
	<i>P2GX220000-V</i>	<i>SEAL KIT, SGL MECH, ELASTOMERS ONLY, VITON - ZP2 180/184/220/224</i>	<i>1</i>
2	P2GS220000-N	SEAL KIT, SGL MECH, SC/CA, BUNA - ZP2 180/184/220/224	1
	<i>P2GS220000-E</i>	<i>SEAL KIT, SGL MECH, SC/CA, EPDM - ZP2 180/184/220/224</i>	<i>1</i>
	<i>P2GS220000-V</i>	<i>SEAL KIT, SGL MECH, SC/CA, VITON - ZP2 180/184/220/224</i>	<i>1</i>
3	P2GS220020-N	SEAL KIT, SGL MECH, CE/CA, BUNA - ZP2 180/184/220/224	1
	<i>P2GS220020-E</i>	<i>SEAL KIT, SGL MECH, CE/CA, EPDM - ZP2 180/184/220/224</i>	<i>1</i>
	<i>P2GS220020-V</i>	<i>SEAL KIT, SGL MECH, CE/CA, VITON - ZP2 180/184/220/224</i>	<i>1</i>
5	P2GS220010-N	SEAL KIT, SGL MECH, SC/SC, BUNA - ZP2 180/184/220/224	1
	<i>P2GS220010-E</i>	<i>SEAL KIT, SGL MECH, SC/SC, EPDM - ZP2 180/184/220/224</i>	<i>1</i>
	<i>P2GS220010-V</i>	<i>SEAL KIT, SGL MECH, SC/SC, VITON - ZP2 180/184/220/224</i>	<i>1</i>
49	P2GX101694	BELLEVILLE WASHER, SS - ZP2 180/220/224	2
50	P2SX101807	ROTOR NUT - ZP2 180/220/224	2



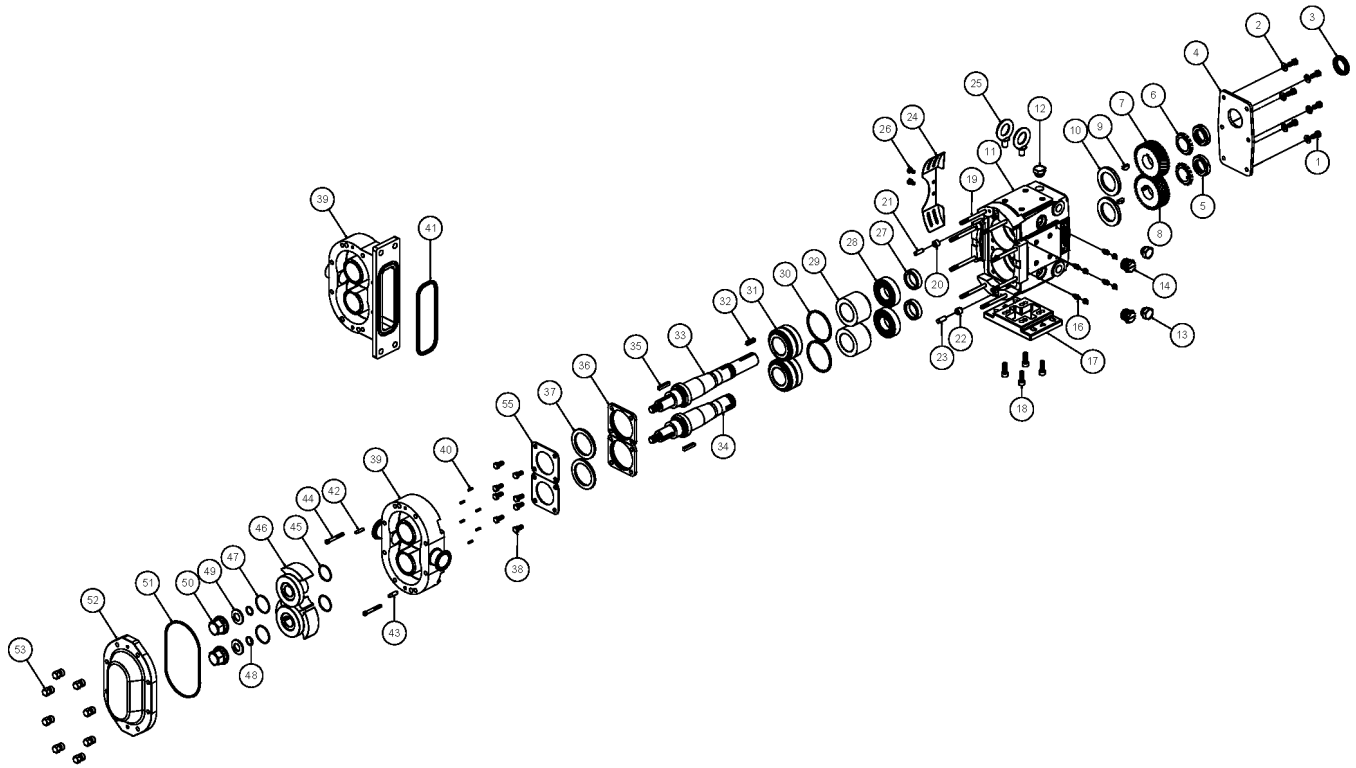
45	Inner Seal O-Ring
47	Rotor Nut O-Ring
48	Retainer O-Ring
51	Cover O-Ring
58	Shaft O-Ring
60*	Outer Seal Wave Spring
61	Outer Seal O-Ring
62*	Outer Seal
63	Rotor Hub O-Ring
56*	Wave Spring
57*	Seal Inner
59*	Seal Seat

* Not included with Elastomer Only Kits

Double Mechanical Seal Kit

Optional Items Shown in ITALICS

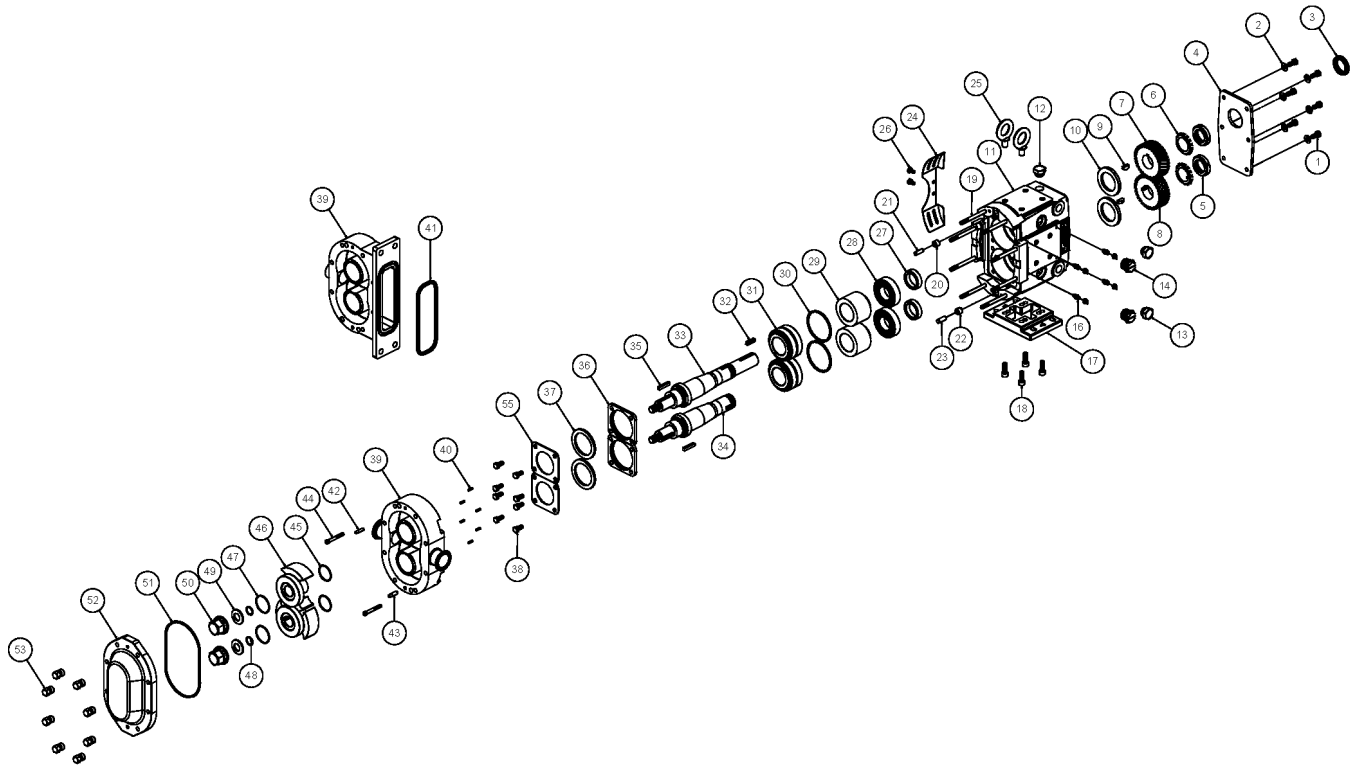
Ref #	Component Item No.	Description	Qty Per
1	P2GX220200-N	SEAL KIT, DBL MECH, ELASTOMERS ONLY, BUNA - ZP2 180/184/220/224	1
	<i>P2GX220200-E</i>	<i>SEAL KIT, DBL MECH, ELASTOMERS ONLY, EPDM - ZP2 180/184/220/224</i>	<i>1</i>
	<i>P2GX220200-V</i>	<i>SEAL KIT, DBL MECH, ELASTOMERS ONLY, VITON - ZP2 180/184/220/224</i>	<i>1</i>
2	P2GS220200-N	SEAL KIT, DBL MECH, SC/CA/CA, BUNA - ZP2 180/184/220/224	1
	<i>P2GS220200-E</i>	<i>SEAL KIT, DBL MECH, SC/CA/CA, EPDM - ZP2 180/184/220/224</i>	<i>1</i>
	<i>P2GS220200-V</i>	<i>SEAL KIT, DBL MECH, SC/CA/CA, VITON - ZP2 180/184/220/224</i>	<i>1</i>
3	P2GS220220-N	SEAL KIT, DBL MECH, CE/CA/CA, BUNA - ZP2 180/184/220/224	1
	<i>P2GS220220-E</i>	<i>SEAL KIT, DBL MECH, CE/CA/CA, EPDM - ZP2 180/184/220/224</i>	<i>1</i>
	<i>P2GS220220-V</i>	<i>SEAL KIT, DBL MECH, CE/CA/CA, VITON - ZP2 180/184/220/224</i>	<i>1</i>
4	<i>P2GS220230-E</i>	<i>SEAL KIT, DBL MECH, CE/CE/CA, EPDM - ZP2 180/184/220/224</i>	<i>1</i>
5	P2GS220210-N	SEAL KIT, DBL MECH, SC/SC/CA, BUNA - ZP2 180/184/220/224	1
	<i>P2GS220210-E</i>	<i>SEAL KIT, DBL MECH, SC/SC/CA, EPDM - ZP2 180/184/220/224</i>	<i>1</i>
	<i>P2GS220210-V</i>	<i>SEAL KIT, DBL MECH, SC/SC/CA, VITON - ZP2 180/184/220/224</i>	<i>1</i>
49	P2GX101694	BELLEVILLE WASHER, SS - ZP2 180/220/224	2
50	P2SX101807	ROTOR NUT - ZP2 180/220/224	2



Exploded View

Optional Items Shown in ITALICS

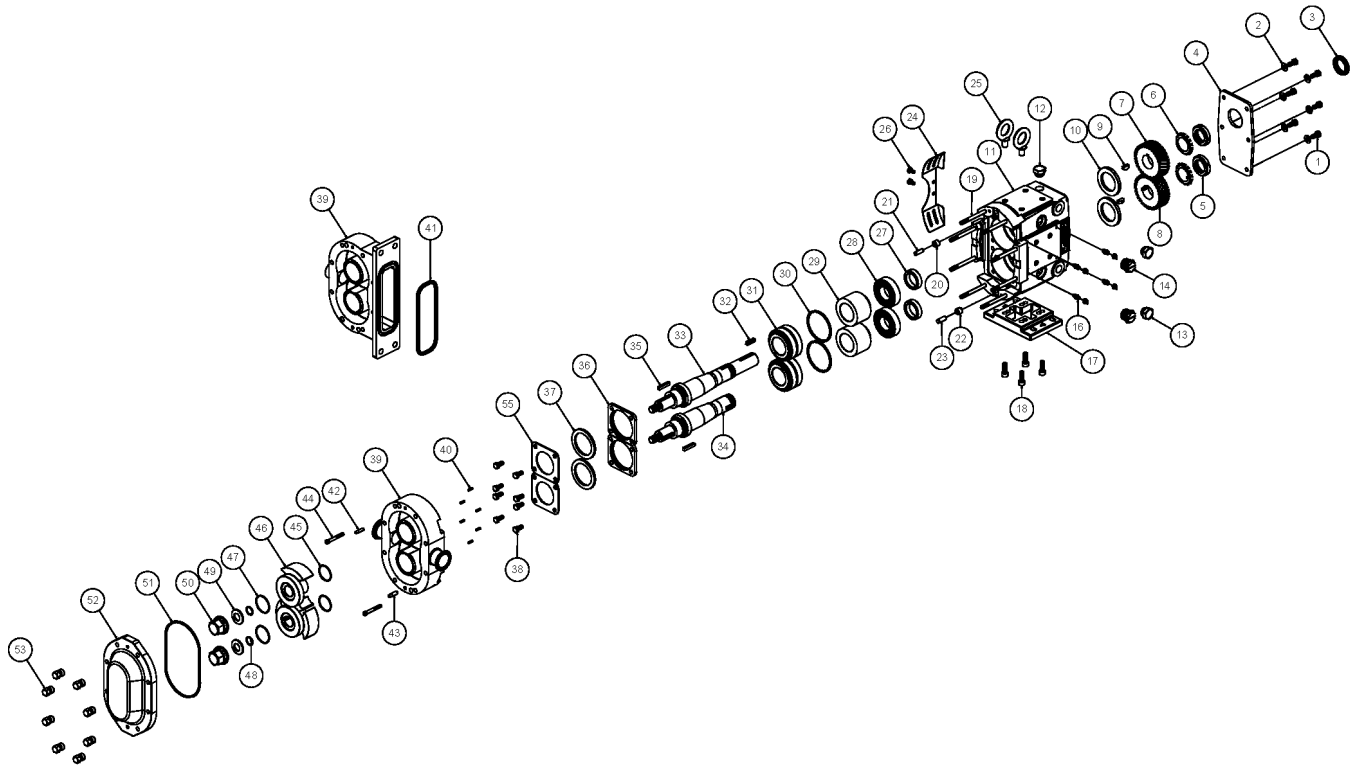
Ref #	Component Item No.	Description	Qty Per
1	P1GX30-50	GEAR CASE COVER BOLT - 3/8-16 X 3/4 HHCS (18-8 SS)	6
2	P1GX43-189	GEAR CASE COVER WASHER - 3/8 FLAT WASHER (18-8 SS)	6
3	P1GXSTD030006-ND	OIL SEAL, PTFE, GEAR CASE COVER - ZP1 & ZP2 220/223/224	1
	<i>P1GXSTD030006</i>	<i>OIL SEAL, GEAR CASE COVER - ZP1 & ZP2 220/223/224</i>	<i>1</i>
4	P1SX230106000	GEAR CASE COVER, SS - ZP1 & ZP2 180/220/224	1
5	P1GXSTD236011	GEAR LOCKNUT ZP1 & ZP2 220/223/224	2
6	P1GXSTD136011	GEAR LOCKWASHER ZP1 & ZP2 220/223/224	2
7	P1GX220007001	GEAR DRIVE SHAFT ZP1 & ZP2 180/220/224	1
8	P1GX220007002	GEAR SHORT SHAFT ZP1 & ZP2 180/220/224	1
9	P1GX200037000	GEAR KEY - ZP1 & ZP2 180/220/224	2
10	P1GXSTD119002	OIL SEAL REAR - ZP1 & ZP2 220/223/224	2
11	P1SX230005000	GEAR CASE, SS - ZP1 & ZP2 180/220/224	1
12	P1GX115798	PLUG,HEX,20M X1.5,W/NBR SEAL	5
13	P1GX115799	GAUGE,OIL,LVL,INDIC,M-20X1.5	1
14	P1GX70PLUG-SS	CLEAN OUT PLUG, SS - ZP1 & ZP2 45/60/64/130/134	4
	<i>P1GX70PLUG</i>	<i>CLEAN OUT PLUG, YELLOW - ZP1 & ZP2 45/60/64/130/134</i>	<i>4</i>
16	P1GXBD0092001	GREASE FITTING, THREADED 1/4"-28 TAPER, SS	8
17	P1SX230110000	GEAR CASE BASE, SS - ZP1 & ZP2 180/220/224	1
18	P1GX30-44	SHCS, G. CASE BASE, (18-8 SS) 1/2-13 X 2" ZP1 & ZP2 220/223	4
19	P1GX107243	STUD, ZP2 184	6
	P1GX35550	STUD, SHORT, ZP2 184	2
	<i>P1GX36144</i>	<i>STUD, SHORT, JACKETED COVER, ZP2 184</i>	<i>2</i>
20	P1GXCD0116000	UPPER DOWEL BUSHING - ZP1 & ZP2 45/60/64/130/134/180/220/224	1
21	P1GX124584	DOWEL PIN - ZP1 & ZP2 45/60/64/130/134	1
22	P1GXCD0116100	LOWER DOWEL BUSHING - ZP1 & ZP2 45/60/64/130/134/180/220/224	1
23	P1GX124586	DOWEL PIN - ZP1 & ZP2 45/60/64/130/134	1



Exploded View

Optional Items Shown in ITALICS

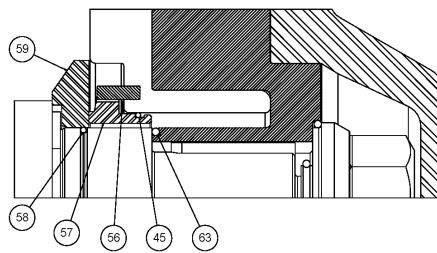
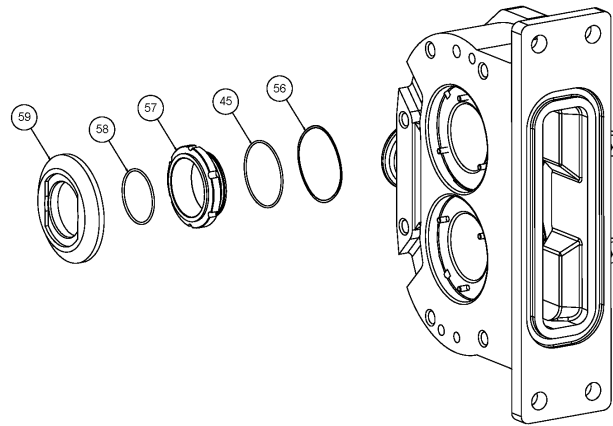
Ref #	Component Item No.	Description	Qty Per
24	P1SX230CEGUARD	GUARD,180-224,(CE),GC,SS	2
25	P1GXKEYEBOLT-SS	EYE BOLT,60-224,SS	2
26	P1GX000CENAIL	DRIVENAIL,ZP,GEAR CASE GUARDS	4
27	P1GX40878	GEAR TO REAR BEARING SPACER - ZP1 & ZP2 180/184/220/223/224	2
28	P1GX200035000	REAR BEARING - ZP1 & ZP2 220/223/224	2
29	P1GX40752	BEARING SPACER - ZP1 & ZP2 180/184/220/223/224	2
30	P1GX117892	SHIM KIT - ZP1 & ZP2 180/220/224	2
31	P1GX200036000	FRONT BEARING - ZP1 & ZP2 220/223/224	2
32	P1GX000037004	DRIVE KEY, 1/2" SQ. X 1" - ZP1 & ZP2 180/184/220/224	1
33	P2SX110023	DRIVE SHAFT (17-4PH) - ZP2 180/184	1
34	P2SX110024	SHORT SHAFT (17-4PH) - ZP2 180/184	1
35	P2SX101828	ROTOR KEY - ZP2 180/184	2
36	P1SX121829	BEARING RETAINER, NEW STYLE 3A - ZP1 & ZP2 180/220/224	2
37	P1GXSTD030002-ND	GREASE SEAL, PTFE, FRONT BEARING RET. - ZP1 & ZP2 220/223/224	2
	<i>P1GXSTD030002</i>	<i>GREASE SEAL FRONT BEARING RET. - ZP1 & ZP2 220/223/224</i>	2
39	P2BDY184001000	BODY - ZP2 184	1
	<i>P2BDY184001F00</i>	<i>BODY - ZP2 184 - FLUSHED</i>	1
40	P2GX101720	STOP PIN, SEAL	6
41	N70374	O-RING, RECTANGULAR FLANGE (BUNA) - ZP2 184	1
	<i>V70374</i>	<i>O-RING, RECTANGULAR FLANGE (VITON) - ZP2 184</i>	1
42	P1GX124584	DOWEL PIN - ZP1 & ZP2 45/60/64/130/134	1
43	P1GX124586	DOWEL PIN - ZP1 & ZP2 45/60/64/130/134	1
44	P1GX130RETSCREW	BODY RETAINING SCREW, 3/8-16 X 4, 18-8SS - ZP2 180/184	2
45	N70041	O-RING, INNER SEAL (BUNA) - ZP2 180/184/220/224	2
	<i>E70041</i>	<i>O-RING, INNER SEAL (EPDM) - ZP2 180/184/220/224</i>	2



Exploded View

Optional Items Shown in ITALICS

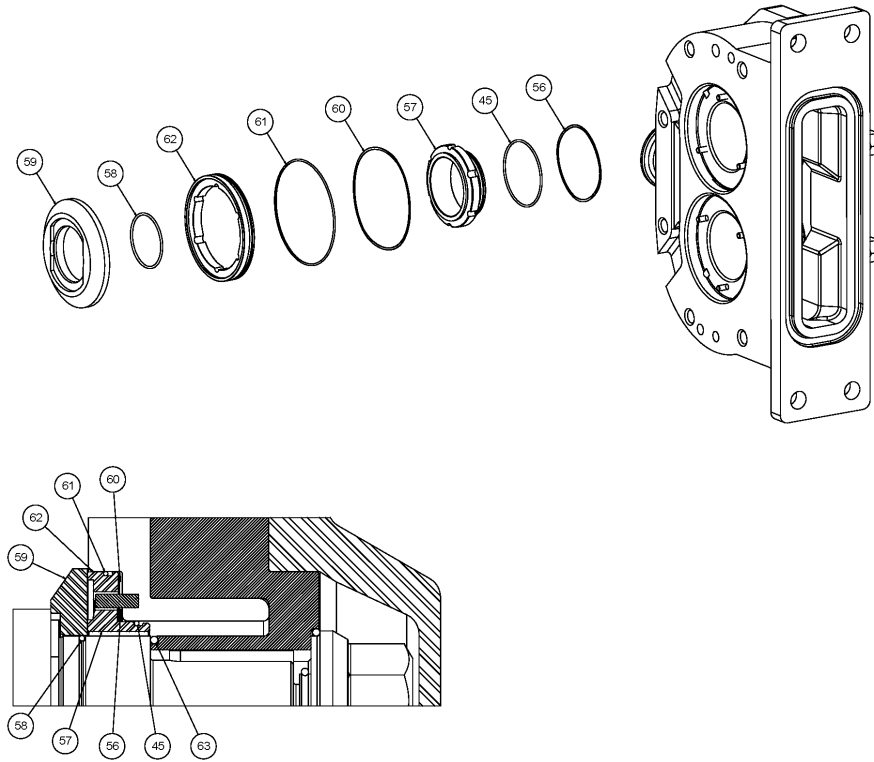
Ref #	Component Item No.	Description	Qty Per
45	V70041	O-RING, INNER SEAL (VITON) - ZP2 180/184/220/224	2
46	P2RTB180010000	ROTOR TWIN BLADE - ALLOY 88 - ZP2 180	2
	<i>P2RTB18001000H</i>	<i>ROTOR TWIN BLADE - ALLOY 88 - ZP2 180 - HOT CLEARANCE</i>	2
	<i>P2RTB180010200</i>	<i>ROTOR TWIN BLADE - 316L - ZP2 180</i>	2
	<i>P2RSW180010000</i>	<i>ROTOR SINGLE WING - ALLOY 88 - ZP2 180</i>	2
47	N70235	O-RING, ROTOR NUT (BUNA) - ZP2 180/184/220/224	2
	<i>E70235</i>	<i>O-RING, ROTOR NUT (EPDM) - ZP2 180/184/220/224</i>	2
	<i>V70235</i>	<i>O-RING, ROTOR NUT (VITON) - ZP2 180/184/220/224</i>	2
48	N70122	O-RING, RETAINER (BUNA) - ZP2 180/220/224	2
	<i>E70122</i>	<i>O-RING, RETAINER (EPDM) - ZP2 180/220/224</i>	2
	<i>V70122</i>	<i>O-RING, RETAINER (VITON) - ZP2 180/220/224</i>	2
49	P2GX101694	BELLEVILLE WASHER, SS - ZP2 180/220/224	2
50	P2SX101807	ROTOR NUT - ZP2 180/220/224	2
51	N70381	O-RING, COVER (BUNA) - ZP2 180/184/220/224	1
	<i>E70381</i>	<i>O-RING, COVER (EPDM) - ZP2 180/184/220/224</i>	1
	<i>V70381</i>	<i>O-RING, COVER (VITON) - ZP2 180/184/220/224</i>	1
52	P2CVR101851	COVER - ZP2 180/184/220/224	1
	<i>P2CVR107670</i>	<i>COVER, JACKETED - ZP2 180/184/220/224</i>	1
53	P1SX108372	COVER HEX NUT - ZP1 & ZP2 180/220/224	8
	<i>P1GX105853</i>	<i>WING NUT - ZP1 & ZP2 180/220/224</i>	8
55	P1SX230SPATE	BEARING RETAINER SPLASH PLATE - ZP1 & ZP2 180/220/224	2
900	P1GXAD0096001	PICK,COMBO,O-RING ZP1 ZP2	1
901	P1GX000140003	OIL,460FG,MAGNAPLT,1GAL ZP	1
902	P1GX000140002	GREASE,HALO GUARD,14OZ TUBE ZP	1
903	P1GXRTVSEAL	SILICONE,DOW,732,30Z ZP1 ZP2	1



Single Mechanical Seal

Optional Items Shown in ITALICS

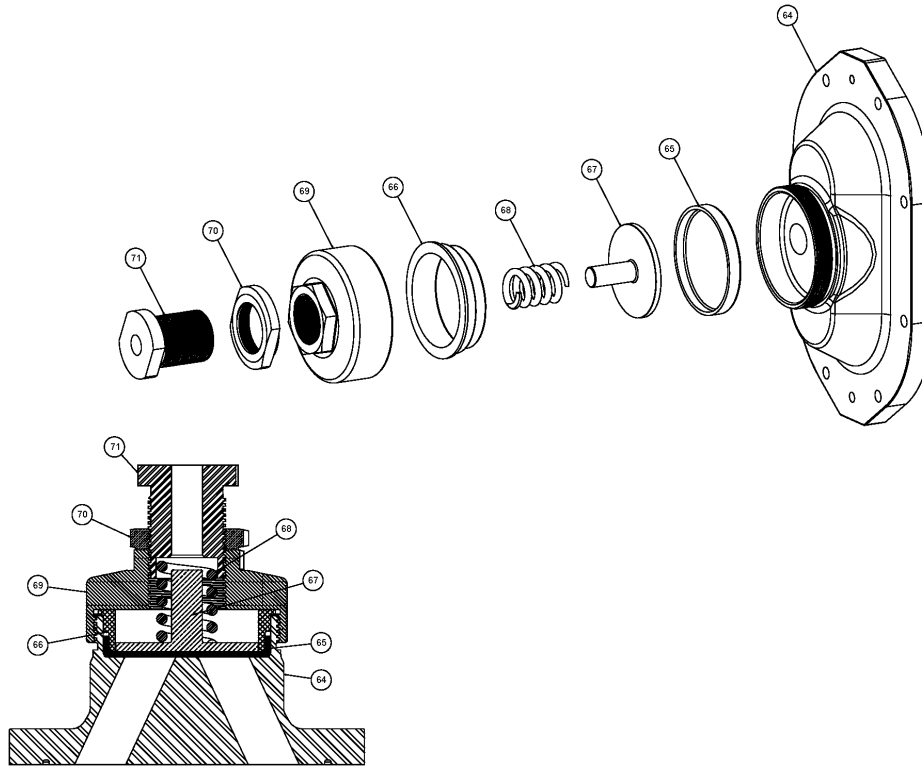
Ref #	Component Item No.	Description	Qty Per
45	N70041	O-RING, INNER SEAL (BUNA) - ZP2 180/184/220/224	2
	<i>E70041</i>	<i>O-RING, INNER SEAL (EPDM) - ZP2 180/184/220/224</i>	2
	<i>V70041</i>	<i>O-RING, INNER SEAL (VITON) - ZP2 180/184/220/224</i>	2
56	P2GS101689	INNER SEAL WAVE SPRING - ZP2 180/184/220/224	2
57	P2GS101664	INNER SEAL (K) - ZP2 180/184/220/224	2
	<i>P2GS101665</i>	<i>INNER SEAL (C) ZP2 180/184/220/224</i>	2
	<i>P2GS101663</i>	<i>INNER SEAL (N) - ZP2 180/184/220/224</i>	2
58	N70145	O-RING, SHAFT (BUNA) - ZP2 180/184/220/224	2
	<i>E70145</i>	<i>O-RING, SHAFT (EPDM) - ZP2 180/184/220/224</i>	2
	<i>V70145</i>	<i>O-RING, SHAFT (VITON) - ZP2 180/184/220/224</i>	2
59	P2GS101677	SEAL SEAT (C) ZP2 180/184/220/224	2
	<i>P2GS101676</i>	<i>SEAL SEAT (K) ZP2 180/184/220/224</i>	2
63	N70230	O-RING, ROTOR HUB (BUNA) - ZP2 180/184/220/224	2
	<i>E70230</i>	<i>O-RING, ROTOR HUB (EPDM) - ZP2 180/184/220/224</i>	2
	<i>V70230</i>	<i>O-RING, ROTOR HUB (VITON) - ZP2 180/184/220/224</i>	2



Double Mechanical Seal

Optional Items Shown in ITALICS

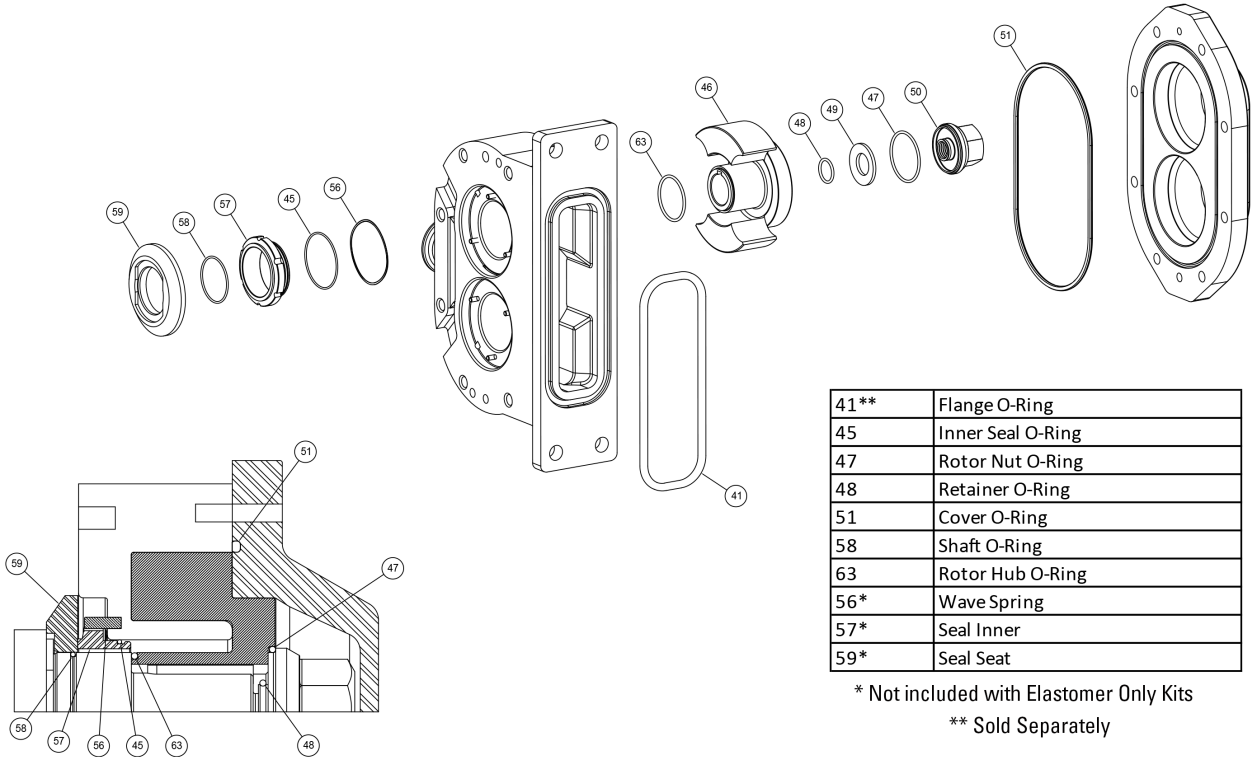
Ref #	Component Item No.	Description	Qty Per
45	N70041	O-RING, INNER SEAL (BUNA) - ZP2 180/184/220/224	2
	<i>E70041</i>	<i>O-RING, INNER SEAL (EPDM) - ZP2 180/184/220/224</i>	2
	<i>V70041</i>	<i>O-RING, INNER SEAL (VITON) - ZP2 180/184/220/224</i>	2
56	P2GS101689	INNER SEAL WAVE SPRING - ZP2 180/184/220/224	2
57	P2GS101664	INNER SEAL (K) - ZP2 180/184/220/224	2
	<i>P2GS101665</i>	<i>INNER SEAL (C) ZP2 180/184/220/224</i>	2
	<i>P2GS101663</i>	<i>INNER SEAL (N) - ZP2 180/184/220/224</i>	2
58	N70145	O-RING, SHAFT (BUNA) - ZP2 180/184/220/224	2
	<i>E70145</i>	<i>O-RING, SHAFT (EPDM) - ZP2 180/184/220/224</i>	2
	<i>V70145</i>	<i>O-RING, SHAFT (VITON) - ZP2 180/184/220/224</i>	2
59	P2GS101677	SEAL SEAT (C) ZP2 180/184/220/224	2
	<i>P2GS101676</i>	<i>SEAL SEAT (K) ZP2 180/184/220/224</i>	2
60	P2GS101690	OUTER SEAL WAVE SPRING - ZP2 220/224	2
61	N70046	O-RING, OUTER SEAL (BUNA) - ZP2 180/184/220/224	2
	<i>E70046</i>	<i>O-RING, OUTER SEAL (EPDM) - ZP2 180/184/220/224</i>	2
	<i>V70046</i>	<i>O-RING, OUTER SEAL (VITON) - ZP2 180/184/220/224</i>	2
62	P2GS101682	OUTER SEAL (N) ZP2 180/220/224	2
63	N70230	O-RING, ROTOR HUB (BUNA) - ZP2 180/184/220/224	2
	<i>E70230</i>	<i>O-RING, ROTOR HUB (EPDM) - ZP2 180/184/220/224</i>	2
	<i>V70230</i>	<i>O-RING, ROTOR HUB (VITON) - ZP2 180/184/220/224</i>	2



Pressure Relief Cover

Optional Items Shown in ITALICS

Ref #	Component Item No.	Description	Qty Per
64	P2CVR103672	VENTED FRONT COVER, ZP2 - 180/184/220/224	1
65	P1GXGD0078000	RUBBER DIAPHRAGM, BUNA, ZP1 & ZP2 & ZP3 - 180/184/220/224	1
	<i>P1GXGD0078V00</i>	<i>RUBBER DIAPHRAGM, VITON, ZP1 & ZP2 & ZP3 - 180/184/220/224</i>	1
66	P1SXGD0077000	DIAPHRAGM BUSHING, ZP1 & ZP2 & ZP3 - 180/184/220/224	1
67	P1SXGD0073000	SPRING PLUNGER, ZP1 & ZP2 & ZP3 - 180/184/220/224	1
68	P1SX113400	SPRING, MEDIUM, (LESS THAN 150 PSI), ZP1 & ZP2 & ZP3 - 180/184/220/224	1
	<i>P1SX113524</i>	<i>SPRING, HIGH, (MORE THAN 150 PSI), ZP1 & ZP2 & ZP3 - 180/184/220/224</i>	1
69	P1SXGD0075000	COVER NUT, ZP1 & ZP2 & ZP3 - 180/184/220/224	1
70	P1SXGD0074000	LOCKNUT, ZP1 & ZP2 & ZP3 - 60/64/130/134/180/184/220/224	1
71	P1SX113657	ADJUSTING SCREW, ZP1 & ZP2 & ZP3 - 60/64/130/134/180/184/220/224	1



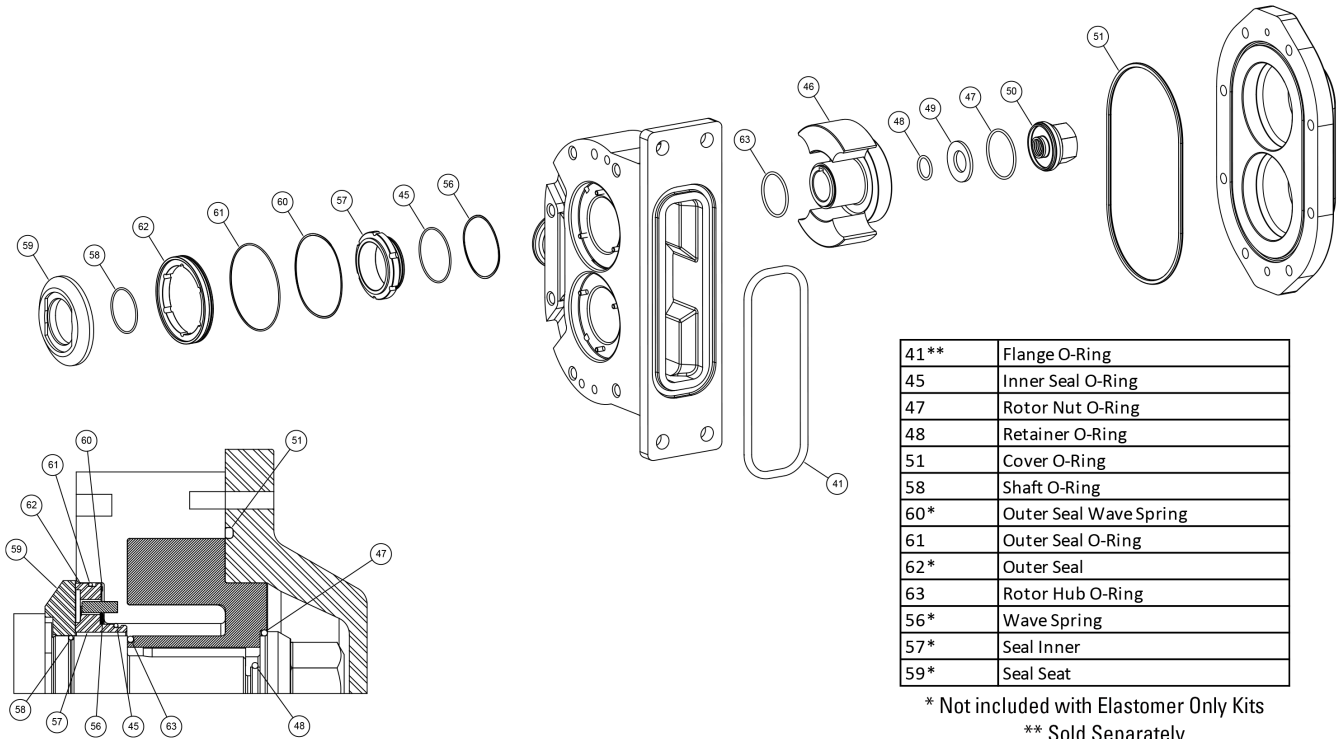
41**	Flange O-Ring
45	Inner Seal O-Ring
47	Rotor Nut O-Ring
48	Retainer O-Ring
51	Cover O-Ring
58	Shaft O-Ring
63	Rotor Hub O-Ring
56*	Wave Spring
57*	Seal Inner
59*	Seal Seat

* Not included with Elastomer Only Kits
** Sold Separately

Single Mechanical Seal Kit

Optional Items Shown in ITALICS

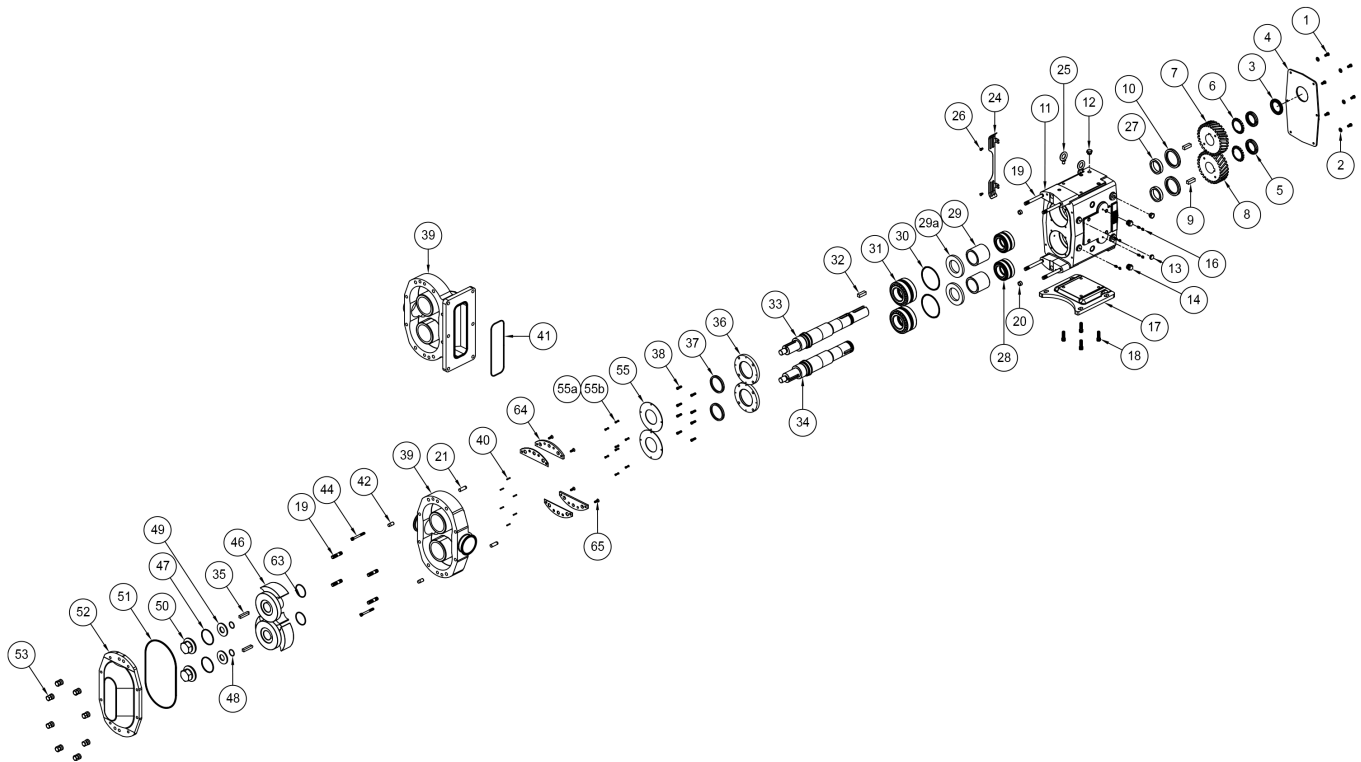
Ref #	Component Item No.	Description	Qty Per
1	P2GX220000-N	SEAL KIT, SGL MECH, ELASTOMERS ONLY, BUNA - ZP2 180/184/220/224	1
	<i>P2GX220000-E</i>	<i>SEAL KIT, SGL MECH, ELASTOMERS ONLY, EPDM - ZP2 180/184/220/224</i>	<i>1</i>
	<i>P2GX220000-V</i>	<i>SEAL KIT, SGL MECH, ELASTOMERS ONLY, VITON - ZP2 180/184/220/224</i>	<i>1</i>
2	P2GS220000-N	SEAL KIT, SGL MECH, SC/CA, BUNA - ZP2 180/184/220/224	1
	<i>P2GS220000-E</i>	<i>SEAL KIT, SGL MECH, SC/CA, EPDM - ZP2 180/184/220/224</i>	<i>1</i>
	<i>P2GS220000-V</i>	<i>SEAL KIT, SGL MECH, SC/CA, VITON - ZP2 180/184/220/224</i>	<i>1</i>
3	P2GS220020-N	SEAL KIT, SGL MECH, CE/CA, BUNA - ZP2 180/184/220/224	1
	<i>P2GS220020-E</i>	<i>SEAL KIT, SGL MECH, CE/CA, EPDM - ZP2 180/184/220/224</i>	<i>1</i>
	<i>P2GS220020-V</i>	<i>SEAL KIT, SGL MECH, CE/CA, VITON - ZP2 180/184/220/224</i>	<i>1</i>
5	P2GS220010-N	SEAL KIT, SGL MECH, SC/SC, BUNA - ZP2 180/184/220/224	1
	<i>P2GS220010-E</i>	<i>SEAL KIT, SGL MECH, SC/SC, EPDM - ZP2 180/184/220/224</i>	<i>1</i>
	<i>P2GS220010-V</i>	<i>SEAL KIT, SGL MECH, SC/SC, VITON - ZP2 180/184/220/224</i>	<i>1</i>
49	P2GX101694	BELLEVILLE WASHER, SS - ZP2 180/220/224	2
50	P2SX101807	ROTOR NUT - ZP2 180/220/224	2



Double Mechanical Seal Kit

Optional Items Shown in ITALICS

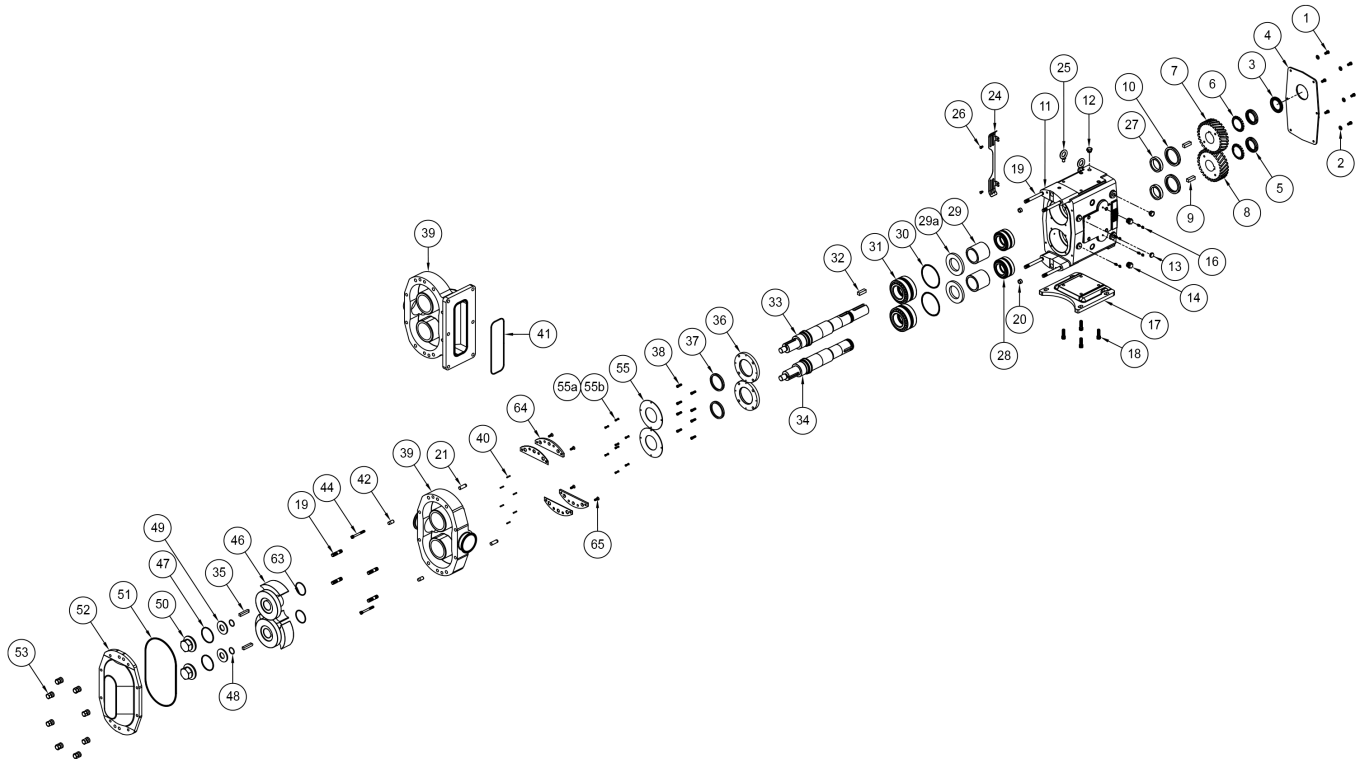
Ref #	Component Item No.	Description	Qty Per
1	P2GX220200-N	SEAL KIT, DBL MECH, ELASTOMERS ONLY, BUNA - ZP2 180/184/220/224	1
	<i>P2GX220200-E</i>	<i>SEAL KIT, DBL MECH, ELASTOMERS ONLY, EPDM - ZP2 180/184/220/224</i>	<i>1</i>
	<i>P2GX220200-V</i>	<i>SEAL KIT, DBL MECH, ELASTOMERS ONLY, VITON - ZP2 180/184/220/224</i>	<i>1</i>
2	P2GS220200-N	SEAL KIT, DBL MECH, SC/CA/CA, BUNA - ZP2 180/184/220/224	1
	<i>P2GS220200-E</i>	<i>SEAL KIT, DBL MECH, SC/CA/CA, EPDM - ZP2 180/184/220/224</i>	<i>1</i>
	<i>P2GS220200-V</i>	<i>SEAL KIT, DBL MECH, SC/CA/CA, VITON - ZP2 180/184/220/224</i>	<i>1</i>
3	P2GS220220-N	SEAL KIT, DBL MECH, CE/CA/CA, BUNA - ZP2 180/184/220/224	1
	<i>P2GS220220-E</i>	<i>SEAL KIT, DBL MECH, CE/CA/CA, EPDM - ZP2 180/184/220/224</i>	<i>1</i>
	<i>P2GS220220-V</i>	<i>SEAL KIT, DBL MECH, CE/CA/CA, VITON - ZP2 180/184/220/224</i>	<i>1</i>
4	<i>P2GS220230-E</i>	<i>SEAL KIT, DBL MECH, CE/CE/CA, EPDM - ZP2 180/184/220/224</i>	<i>1</i>
5	P2GS220210-N	SEAL KIT, DBL MECH, SC/SC/CA, BUNA - ZP2 180/184/220/224	1
	<i>P2GS220210-E</i>	<i>SEAL KIT, DBL MECH, SC/SC/CA, EPDM - ZP2 180/184/220/224</i>	<i>1</i>
	<i>P2GS220210-V</i>	<i>SEAL KIT, DBL MECH, SC/SC/CA, VITON - ZP2 180/184/220/224</i>	<i>1</i>
49	P2GX101694	BELLEVILLE WASHER, SS - ZP2 180/220/224	2
50	P2SX101807	ROTOR NUT - ZP2 180/220/224	2



Exploded View

Optional Items Shown in ITALICS

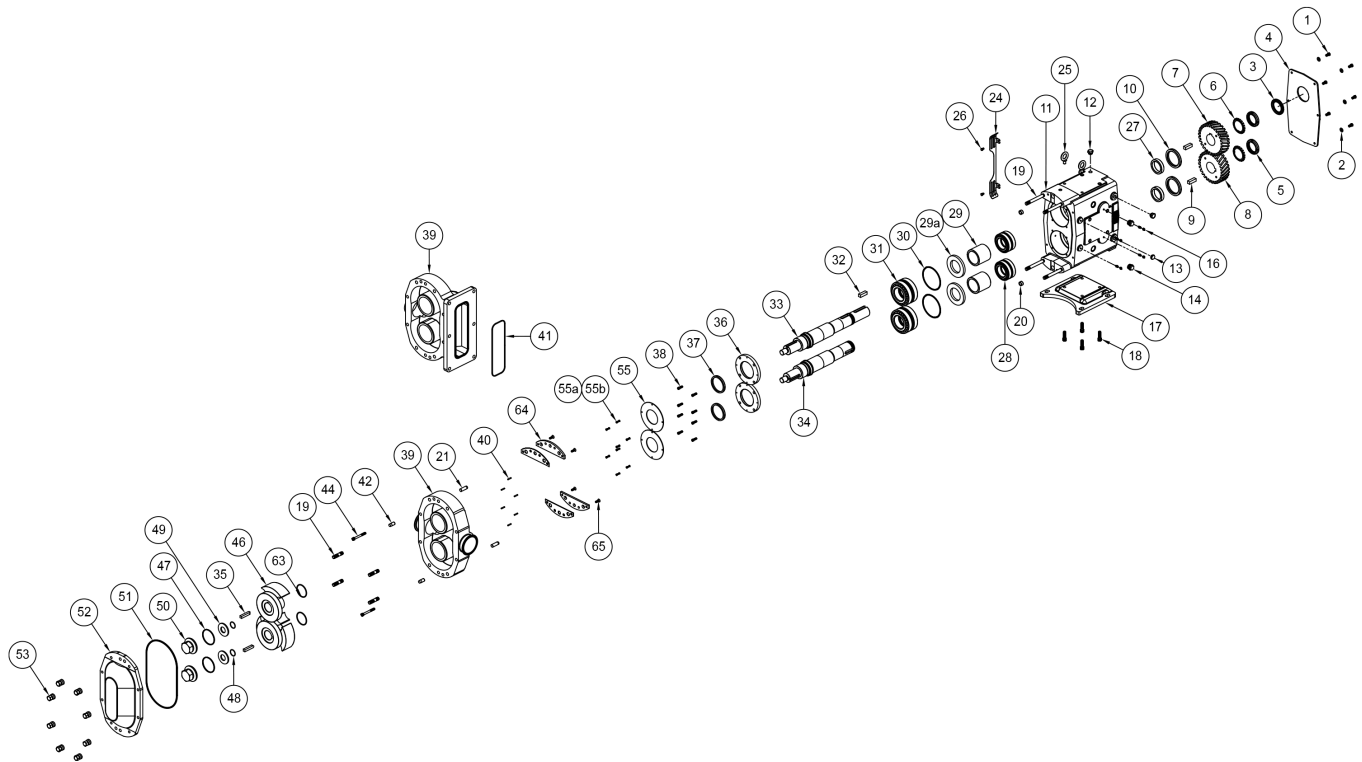
Ref #	Component Item No.	Description	Qty Per
1	P1GX30-50	GEAR CASE COVER BOLT - 3/8-16 X 3/4 HHCS (18-8 SS)	6
2	P1GX43-189	GEAR CASE COVER WASHER - 3/8 FLAT WASHER (18-8 SS)	6
3	P1GXSTD030004-ND	OIL SEAL, PTFE, GEAR CASE COVER - ZP2 210/214/320/324	1
	<i>P1GXSTD030004</i>	<i>OIL SEAL, GEAR CASE COVER - ZP2 210/214/320/324</i>	<i>1</i>
4	P1SX40669	GEAR CASE COVER, SS - ZP2 210/214/320/324	1
5	P1GXOH1236000	GEAR LOCKNUT - ZP2 210/214/320/324	2
6	P1GXOH1136000	GEAR LOCKWASHER - ZP2 210/214/320/324	2
7	P1GX320007001	GEAR DRIVE SHAFT - ZP2 210/214/320/324	1
8	P1GX320007002	GEAR SHORT SHAFT - ZP2 210/214/320/324	1
9	P1GXOH1037000	GEAR KEY - ZP2 210/214/320/324	2
10	P1GX102475	OIL SEAL REAR - ZP2 210/214/320/324	2
11	P2SX105478	GEAR CASE, SS - ZP2 & ZP3 210/214/320/324	1
12	P1GX115798	PLUG,HEX,20M X1.5,W/NBR SEAL	5
13	P1GX115799	GAUGE,OIL,LVL,INDIC,M-20X1.5	1
14	P1GX70PLUG-SS	CLEAN OUT PLUG, SS - ZP1 & ZP2 45/60/64/130/134	4
	<i>P1GX70PLUG</i>	<i>CLEAN OUT PLUG, YELLOW - ZP1 & ZP2 45/60/64/130/134</i>	<i>4</i>
16	P1GXBD0092001	GREASE FITTING, THREADED 1/4"-28 TAPER, SS	8
17	P1SX40288	GEAR CASE BASE, SS - ZP2 210/214/320/324	1
18	P1GX30-250	SHCS, G. CASE BASE, (18-8 SS) 1/2-13 X 1.75" ZP2 210/214/320/324	4
19	P1GX111292	STUD, SHORT, ZP2 210/214	4
	P1GX112191	STUD, LONG, ZP2 210/214	4
20	P1GXOH1116000	DOWEL BUSHING - ZP2 210/214/320/324	2
21	P1GX105871	DOWEL PIN, GEAR BOX SIDE - ZP2 210/214/320/324	2
24	P2SX320CEGUARD	GUARD,210/214/320/324,(CE),GC,SS	2
25	P1GXEYEBOLT-SS	EYE BOLT,60-224,SS	3
26	P1GX000CENAIL	DRIVENAIL,ZP,GEAR CASE GUARDS	4



Exploded View

Optional Items Shown in ITALICS

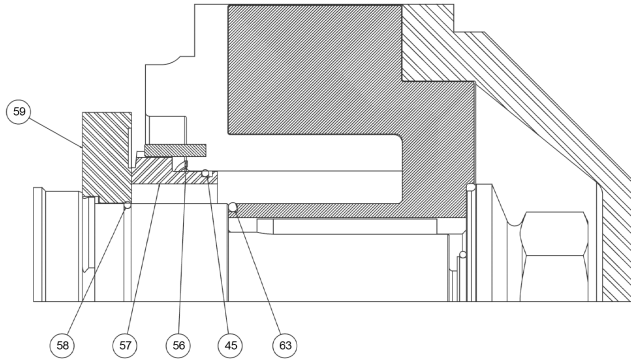
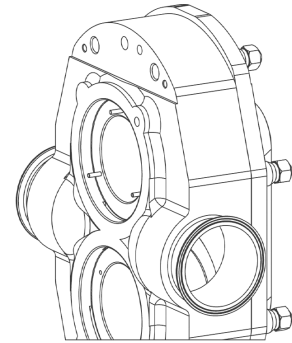
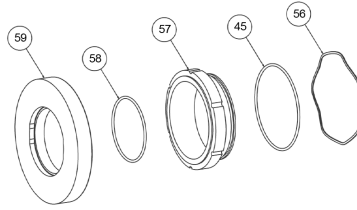
Ref #	Component Item No.	Description	Qty Per
27	P1GX102474	GEAR TO REAR BEARING SPACER - ZP2 210/214/320/324	2
28	P1GXOH1036000	REAR BEARING - ZP2 210/214/320/324	2
29	P1GX102472	BEARING SPACER, THICK - ZP2 210/214/320/324	2
	P1GX102473	BEARING SPACER, THIN - ZP2 210/214/320/324	2
30	P1GX117893	SHIM KIT - ZP2 210/214/320/324	2
31	P1GXOH1036003	FRONT BEARING - ZP2 210/214/320/324	2
32	P1GX000037005	DRIVE KEY, 5/8" SQ. X 2" - ZP1 & ZP2 320/324	1
33	P2SX112186	DRIVE SHAFT (17-4PH) - ZP2 210/214	1
34	P2SX112187	SHORT SHAFT (17-4PH) - ZP2 210/214	1
35	P2SX105422	ROTOR KEY - ZP2 210/214	2
36	P1SXOH1080000	BEARING RETAINER - ZP2 210/214/320/324	2
37	P1GXSTD030002-ND	GREASE SEAL, PTFE, FRONT BEARING RET. - ZP1 & ZP2 320/324	2
	<i>P1GXSTD030002</i>	<i>GREASE SEAL FRONT BEARING RET. - ZP1 & ZP2 320/324</i>	2
38	P1GX30-343	BEARING RETAINER BOLT - 5/16-18 X 1 SHCS (18-8 SS)	8
39	P2BDY210001000	BODY - ZP2 210	1
40	P2GX102438	STOP PIN, SEAL	6
42	P1GXOH1040000	DOWEL PIN, COVER SIDE - ZP2 210/214/320/324	2
44	P1GX30-326	BODY RETAINING SCREW, 3/8-16 X 3.5" 18-8 SS - ZP2 210/214	2
46	P2RTB210010000	ROTOR TWIN BLADE - ALLOY 88 - ZP2 210/214	2
	<i>P2RTB21001000H</i>	<i>ROTOR TWIN BLADE - ALLOY 88 - ZP2 210/214</i>	2
47	N70237	O-RING, ROTOR NUT (BUNA) - ZP2 210/214/320/324	2
	<i>E70237</i>	<i>O-RING, ROTOR NUT (EPDM) - ZP2 210/214/320/324</i>	2
	<i>V70237</i>	<i>O-RING, ROTOR NUT (VITON) - ZP2 210/214/320/324</i>	2
48	N70125	O-RING, RETAINER (BUNA) - ZP2 210/214/320/324	2
	<i>E70125</i>	<i>O-RING, RETAINER (EPDM) - ZP2 210/214/320/324</i>	2
	<i>V70125</i>	<i>O-RING, RETAINER (VITON) - ZP2 210/214/320/324</i>	2



Exploded View

Optional Items Shown in ITALICS

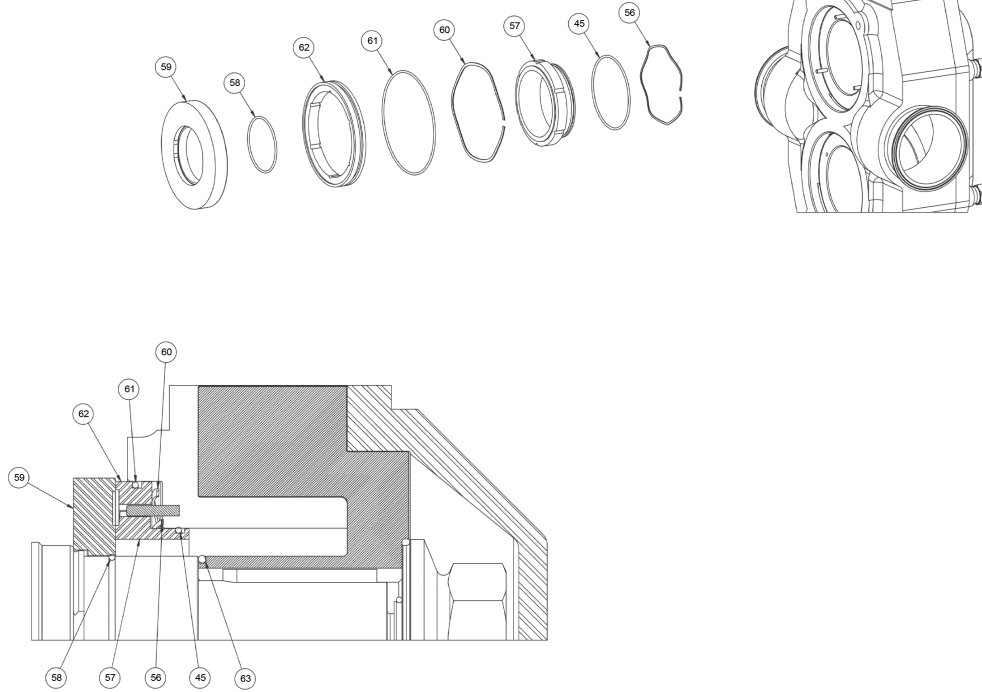
Ref #	Component Item No.	Description	Qty Per
49	P2GX105411	BELLEVILLE WASHER, SS - ZP2 210/214/320/324	2
50	P2SX105409	ROTOR NUT - ZP2 210/214/320/324	2
51	N70382	O-RING, COVER (BUNA) - ZP2 210/214	1
	<i>E70382</i>	<i>O-RING, COVER (EPDM) - ZP2 210/214</i>	1
	<i>V70382</i>	<i>O-RING, COVER (VITON) - ZP2 210/214</i>	1
52	P2CVR112864	COVER - ZP2 210/214	1
53	P1SX108373	HEX NUT, COVER - ZP2 210/214/320/324	8
	<i>P1GX110858</i>	<i>WING NUT, COVER - ZP2 210/214/320/324</i>	8
55	P1GX30-212	CAPSCRW,HX,10-32X1/2,18-8SS	8
	P1GX30-213	WASHER,210/320,LOCK,10-32	8
	P1SX320SPATE	BEARING RETAINER SPLASH PLATE - ZP1 320/324	2
63	N70232	O-RING, ROTOR HUB (BUNA) - ZP2 210/214/320/324	2
	<i>E70232</i>	<i>O-RING, ROTOR HUB (BUNA) - ZP2 210/214/320/324</i>	2
	<i>V70232</i>	<i>O-RING, ROTOR HUB (BUNA) - ZP2 210/214/320/324</i>	2
64	P1SX105426	PLATE, SHIM - ZP2 210/214/320/324	2
65	P2GX30-612	SCREW, SHIM PLATE - ZP2 210/214/320/324	4
900	P1GXAD0096001	PICK,COMBO,O-RING ZP1 ZP2	1
901	P1GX000140003	OIL,460FG,MAGNAPLT,1GAL ZP	1
902	P1GX000140002	GREASE,HALO GUARD,14OZ TUBE ZP	1
903	P1GXRTVSEAL	SILICONE,DOW,732,30Z ZP1 ZP2	1



Single Mechanical Seal

Optional Items Shown in ITALICS

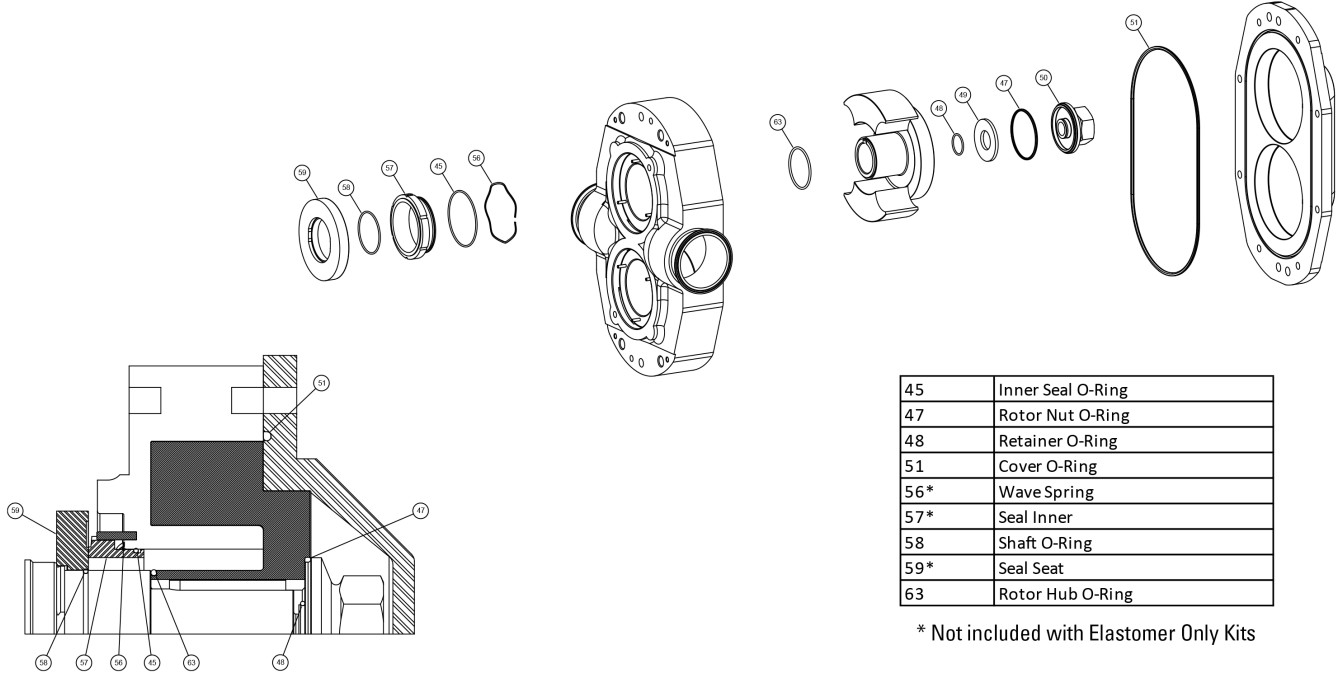
Ref #	Component Item No.	Description	Qty Per
45	N70154	O-RING, INNER SEAL (BUNA) - ZP2 210/214/320/324	2
	<i>E70154</i>	<i>O-RING, INNER SEAL (EPDM) - ZP2 210/214/320/324</i>	2
	<i>V70154</i>	<i>O-RING, INNER SEAL (VITON) - ZP2 210/214/320/324</i>	2
56	P2GS105419	INNER SEAL WAVE SPRING - ZP2 210/214/320/324	2
57	P2GS105413	INNER SEAL (K) - ZP2 210/214/320/324	2
	<i>P2GS105414</i>	<i>INNER SEAL (C) ZP2 210/214/320/324</i>	2
	<i>P2GS105412</i>	<i>INNER SEAL (N) - ZP2 210/214/320/324</i>	2
58	N70149	O-RING, SHAFT (BUNA) - ZP2 210/214/320/324	2
	<i>E70149</i>	<i>O-RING, SHAFT (EPDM) - ZP2 210/214/320/324</i>	2
	<i>V70149</i>	<i>O-RING, SHAFT (VITON) - ZP2 210/214/320/324</i>	2
59	P2GS105417	SEAL SEAT (C) ZP2 210/214/320/324	2
	<i>P2GS105416</i>	<i>SEAL SEAT (K) ZP2 210/214/320/324</i>	2
63	N70232	O-RING, ROTOR HUB (BUNA) - ZP2 210/214/320/324	2
	<i>E70232</i>	<i>O-RING, ROTOR HUB (EPDM) - ZP2 210/214/320/324</i>	2
	<i>V70232</i>	<i>O-RING, ROTOR HUB (VITON) - ZP2 210/214/320/324</i>	2



Double Mechanical Seal

Optional Items Shown in ITALICS

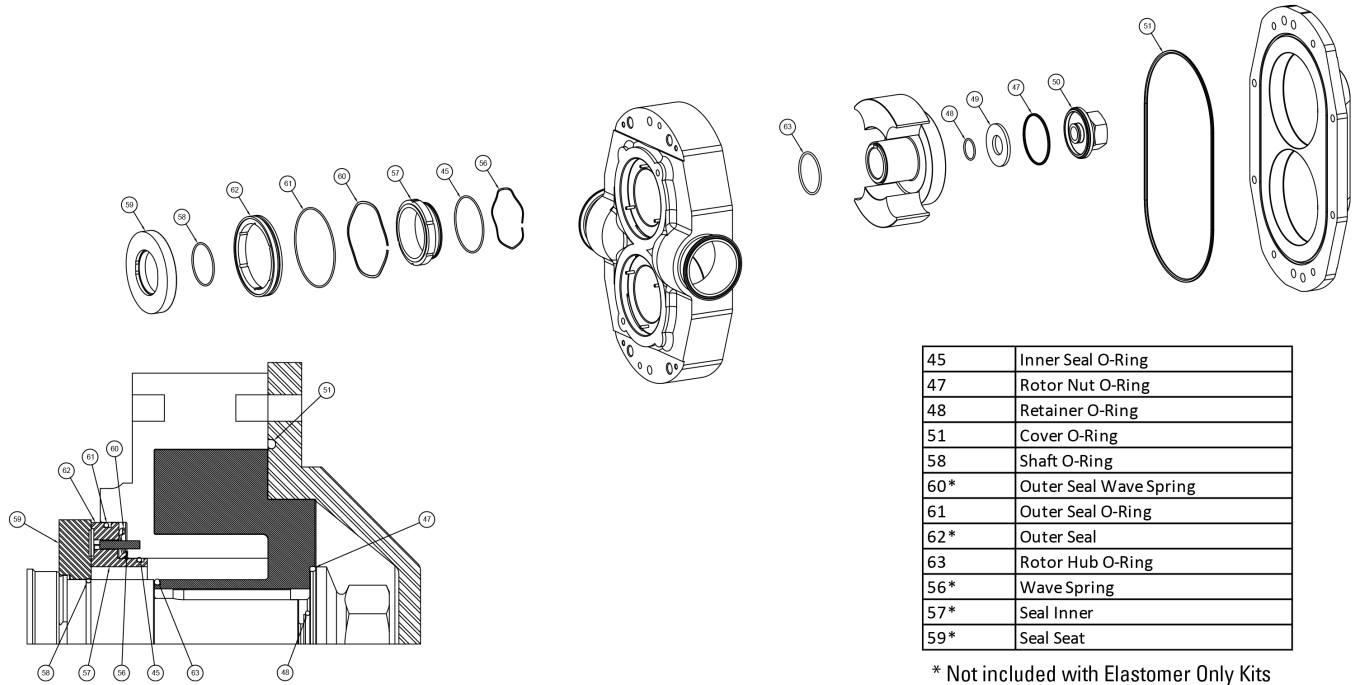
Ref #	Component Item No.	Description	Qty Per
45	N70154	O-RING, INNER SEAL (BUNA) - ZP2 210/214/320/324	2
	<i>E70154</i>	<i>O-RING, INNER SEAL (EPDM) - ZP2 210/214/320/324</i>	2
	<i>V70154</i>	<i>O-RING, INNER SEAL (VITON) - ZP2 210/214/320/324</i>	2
56	P2GS105419	INNER SEAL WAVE SPRING - ZP2 210/214/320/324	2
57	P2GS105413	INNER SEAL (K) - ZP2 210/214/320/324	2
	<i>P2GS105414</i>	<i>INNER SEAL (C) ZP2 210/214/320/324</i>	2
	<i>P2GS105412</i>	<i>INNER SEAL (N) - ZP2 210/214/320/324</i>	2
58	N70149	O-RING, SHAFT (BUNA) - ZP2 210/214/320/324	2
	<i>E70149</i>	<i>O-RING, SHAFT (EPDM) - ZP2 210/214/320/324</i>	2
	<i>V70149</i>	<i>O-RING, SHAFT (VITON) - ZP2 210/214/320/324</i>	2
59	P2GS105417	SEAL SEAT (C) ZP2 210/214/320/324	2
	<i>P2GS105416</i>	<i>SEAL SEAT (K) ZP2 210/214/320/324</i>	2
60	P2GS105420	OUTER SEAL WAVE SPRING - ZP2 210/214/320/324	2
61	N70160	O-RING, OUTER SEAL (BUNA) - ZP2 210/214/320/324	2
	<i>E70160</i>	<i>O-RING, OUTER SEAL (EPDM) - ZP2 210/214/320/324</i>	2
	<i>V70160</i>	<i>O-RING, OUTER SEAL (VITON) - ZP2 210/214/320/324</i>	2
62	P2GS105418	OUTER SEAL (N) ZP2 210/214/320/324	2
63	N70232	O-RING, ROTOR HUB (BUNA) - ZP2 210/214/320/324	2
	<i>E70232</i>	<i>O-RING, ROTOR HUB (EPDM) - ZP2 210/214/320/324</i>	2
	<i>V70232</i>	<i>O-RING, ROTOR HUB (VITON) - ZP2 210/214/320/324</i>	2



Single Mechanical Seal Kit

Optional Items Shown in ITALICS

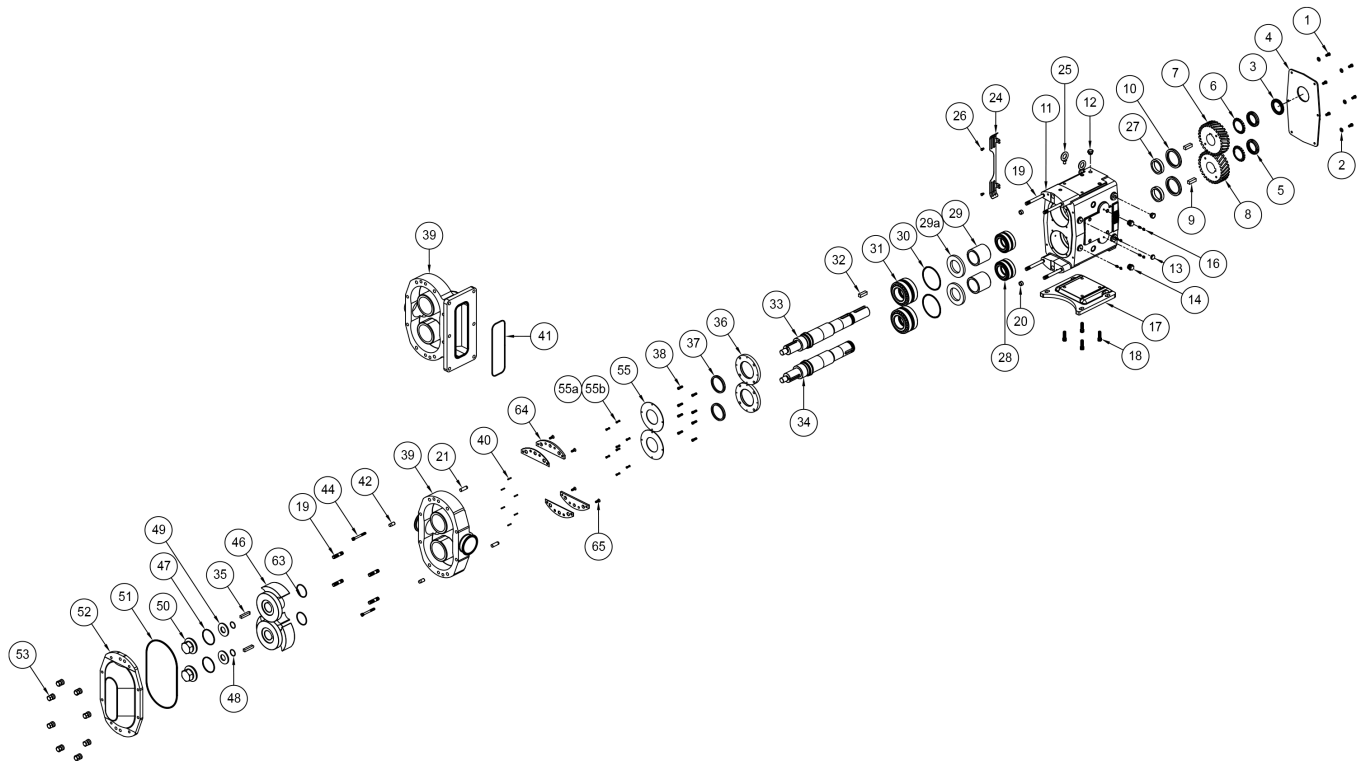
Ref #	Component Item No.	Description	Qty Per
1	P2GX210000-N	SEAL KIT, SGL MECH, ELASTOMERS ONLY, BUNA - ZP2 210/214	1
	<i>P2GX210000-E</i>	<i>SEAL KIT, SGL MECH, ELASTOMERS ONLY, EPDM - ZP2 210/214</i>	<i>1</i>
	<i>P2GX210000-V</i>	<i>SEAL KIT, SGL MECH, ELASTOMERS ONLY, VITON - ZP2 210/214</i>	<i>1</i>
2	P2GS210000-N	SEAL KIT, SGL MECH, SC/CA, BUNA - ZP2 210/214	1
	<i>P2GS210000-E</i>	<i>SEAL KIT, SGL MECH, SC/CA, EPDM - ZP2 210/214</i>	<i>1</i>
	<i>P2GS210000-V</i>	<i>SEAL KIT, SGL MECH, SC/CA, VITON - ZP2 210/214</i>	<i>1</i>
3	P2GS210020-N	SEAL KIT, SGL MECH, CE/CA, BUNA - ZP2 210/214	1
	<i>P2GS210020-E</i>	<i>SEAL KIT, SGL MECH, CE/CA, EPDM - ZP2 210/214</i>	<i>1</i>
	<i>P2GS210020-V</i>	<i>SEAL KIT, SGL MECH, CE/CA, VITON - ZP2 210/214</i>	<i>1</i>
5	P2GS210010-N	SEAL KIT, SGL MECH, SC/SC, BUNA - ZP2 210/214	1
	<i>P2GS210010-E</i>	<i>SEAL KIT, SGL MECH, SC/SC, EPDM - ZP2 210/214</i>	<i>1</i>
	<i>P2GS210010-V</i>	<i>SEAL KIT, SGL MECH, SC/SC, VITON - ZP2 210/214</i>	<i>1</i>
49	P2GX105411	BELLEVILLE WASHER, SS - ZP2 210/214/320/324	2
50	P2SX105409	ROTOR NUT - ZP2 210/214/320/324	2



Double Mechanical Seal Kit

Optional Items Shown in ITALICS

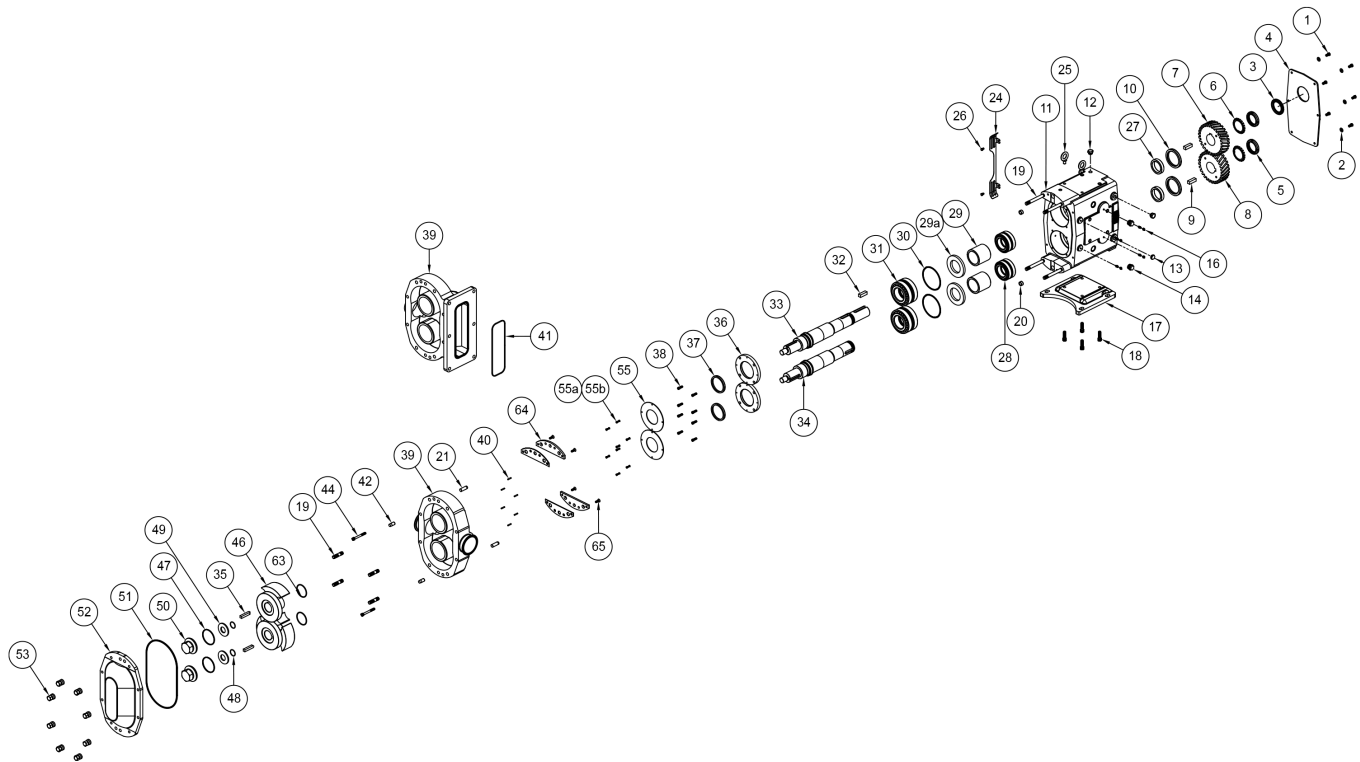
Ref #	Component Item No.	Description	Qty Per
1	P2GX210200-N	SEAL KIT, DBL MECH, ELASTOMERS ONLY, BUNA - ZP2 210/214	1
	<i>P2GX210200-E</i>	<i>SEAL KIT, DBL MECH, ELASTOMERS ONLY, EPDM - ZP2 210/214</i>	<i>1</i>
	<i>P2GX210200-V</i>	<i>SEAL KIT, DBL MECH, ELASTOMERS ONLY, VITON - ZP2 210/214</i>	<i>1</i>
2	P2GS210200-N	SEAL KIT, DBL MECH, SC/CA/CA, BUNA - ZP2 210/214	1
	<i>P2GS210200-E</i>	<i>SEAL KIT, DBL MECH, SC/CA/CA, EPDM - ZP2 210/214</i>	<i>1</i>
	<i>P2GS210200-V</i>	<i>SEAL KIT, DBL MECH, SC/CA/CA, VITON - ZP2 210/214</i>	<i>1</i>
3	P2GS210220-N	SEAL KIT, DBL MECH, CE/CA/CA, BUNA - ZP2 210/214	1
	<i>P2GS210220-E</i>	<i>SEAL KIT, DBL MECH, CE/CA/CA, EPDM - ZP2 210/214</i>	<i>1</i>
	<i>P2GS210220-V</i>	<i>SEAL KIT, DBL MECH, CE/CA/CA, VITON - ZP2 210/214</i>	<i>1</i>
5	P2GS210210-N	SEAL KIT, DBL MECH, SC/SC/CA, BUNA - ZP2 210/214	1
	<i>P2GS210210-E</i>	<i>SEAL KIT, DBL MECH, SC/SC/CA, EPDM - ZP2 210/214</i>	<i>1</i>
	<i>P2GS210210-V</i>	<i>SEAL KIT, DBL MECH, SC/SC/CA, VITON - ZP2 210/214</i>	<i>1</i>
49	P2GX105411	BELLEVILLE WASHER, SS - ZP2 210/214/320/324	2
50	P2SX105409	ROTOR NUT - ZP2 210/214/320/324	2



Exploded View

Optional Items Shown in ITALICS

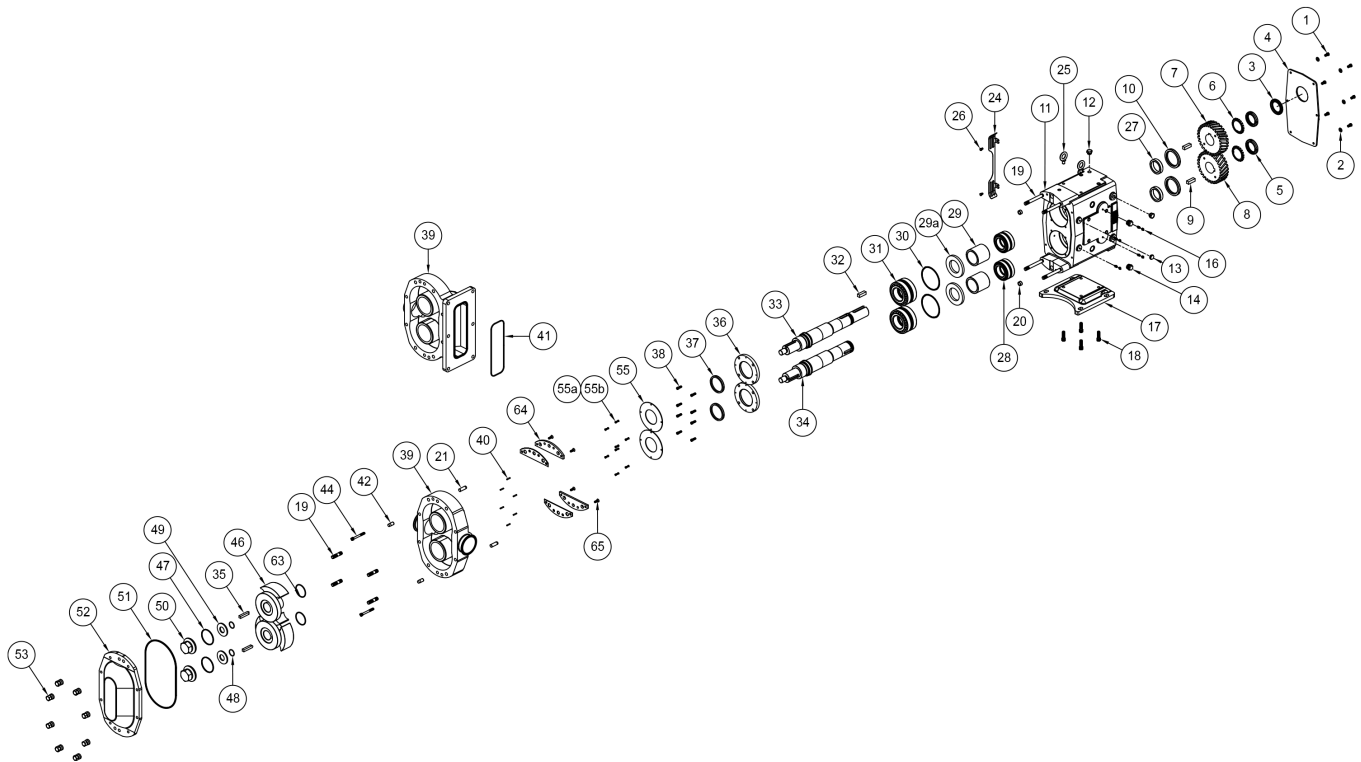
Ref #	Component Item No.	Description	Qty Per
1	P1GX30-50	GEAR CASE COVER BOLT - 3/8-16 X 3/4 HHCS (18-8 SS)	6
2	P1GX43-189	GEAR CASE COVER WASHER - 3/8 FLAT WASHER (18-8 SS)	6
3	P1GXSTD030004-ND	OIL SEAL, PTFE, GEAR CASE COVER - ZP2 210/214/320/324	1
	<i>P1GXSTD030004</i>	<i>OIL SEAL, GEAR CASE COVER - ZP2 210/214/320/324</i>	<i>1</i>
4	P1SX40669	GEAR CASE COVER, SS - ZP2 210/214/320/324	1
5	P1GXOH1236000	GEAR LOCKNUT - ZP2 210/214/320/324	2
6	P1GXOH1136000	GEAR LOCKWASHER - ZP2 210/214/320/324	2
7	P1GX320007001	GEAR DRIVE SHAFT - ZP2 210/214/320/324	1
8	P1GX320007002	GEAR SHORT SHAFT - ZP2 210/214/320/324	1
9	P1GXOH1037000	GEAR KEY - ZP2 210/214/320/324	2
10	P1GX102475	OIL SEAL REAR - ZP2 210/214/320/324	2
11	P2SX105478	GEAR CASE, SS - ZP2 & ZP3 210/214/320/324	1
12	P1GX115798	PLUG,HEX,20M X1.5,W/NBR SEAL	5
13	P1GX115799	GAUGE,OIL,LVL,INDIC,M-20X1.5	1
14	P1GX70PLUG-SS	CLEAN OUT PLUG, SS - ZP1 & ZP2 45/60/64/130/134	4
	<i>P1GX70PLUG</i>	<i>CLEAN OUT PLUG, YELLOW - ZP1 & ZP2 45/60/64/130/134</i>	<i>4</i>
16	P1GXBD0092001	GREASE FITTING, THREADED 1/4"-28 TAPER, SS	8
17	P1SX40288	GEAR CASE BASE, SS - ZP2 210/214/320/324	1
18	P1GX30-250	SHCS, G. CASE BASE, (18-8 SS) 1/2-13 X 1.75" ZP2 210/214/320/324	4
19	P1GX111292	STUD, SHORT, ZP2 210/214	4
	P1GX112191	STUD, LONG, ZP2 210/214	4
20	P1GXOH1116000	DOWEL BUSHING - ZP2 210/214/320/324	2
21	P1GX105871	DOWEL PIN, GEAR BOX SIDE - ZP2 210/214/320/324	2
24	P2SX320CEGUARD	GUARD,210/214/320/324,(CE),GC,SS	2
25	P1GXKEYBOLT-SS	EYE BOLT,60-224,SS	3
26	P1GX000CENAIL	DRIVENAIL,ZP,GEAR CASE GUARDS	4



Exploded View

Optional Items Shown in ITALICS

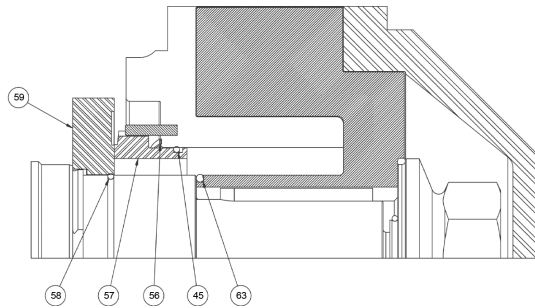
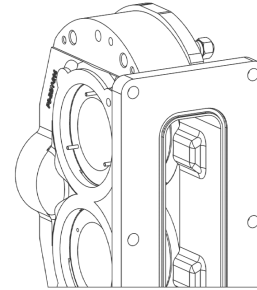
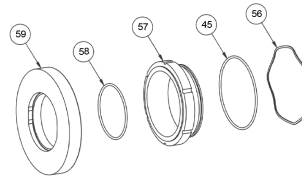
Ref #	Component Item No.	Description	Qty Per
27	P1GX102474	GEAR TO REAR BEARING SPACER - ZP2 210/214/320/324	2
28	P1GXOH1036000	REAR BEARING - ZP2 210/214/320/324	2
29	P1GX102472	BEARING SPACER, THICK - ZP2 210/214/320/324	2
	P1GX102473	BEARING SPACER, THIN - ZP2 210/214/320/324	2
30	P1GX117893	SHIM KIT - ZP2 210/214/320/324	2
31	P1GXOH1036003	FRONT BEARING - ZP2 210/214/320/324	2
32	P1GX000037005	DRIVE KEY, 5/8" SQ. X 2" - ZP1 & ZP2 320/324	1
33	P2SX112186	DRIVE SHAFT (17-4PH) - ZP2 210/214	1
34	P2SX112187	SHORT SHAFT (17-4PH) - ZP2 210/214	1
35	P2SX105422	ROTOR KEY - ZP2 210/214	2
36	P1SXOH1080000	BEARING RETAINER - ZP2 210/214/320/324	2
37	P1GXSTD030002-ND	GREASE SEAL, PTFE, FRONT BEARING RET. - ZP1 & ZP2 320/324	2
	<i>P1GXSTD030002</i>	<i>GREASE SEAL FRONT BEARING RET. - ZP1 & ZP2 320/324</i>	2
38	P1GX30-343	BEARING RETAINER BOLT - 5/16-18 X 1 SHCS (18-8 SS)	8
39	P2BDY214001000	BODY - ZP2 214	1
40	P2GX102438	STOP PIN, SEAL	6
41	N70377	O-RING, RECTANGULAR FLANGE (BUNA) - ZP2 214	1
	<i>E70377</i>	<i>O-RING, RECTANGULAR FLANGE (EPDM) - ZP2 214</i>	1
	<i>V70377</i>	<i>O-RING, RECTANGULAR FLANGE (VITON) - ZP2 214</i>	1
42	P1GXOH1040000	DOWEL PIN, COVER SIDE - ZP2 210/214/320/324	2
44	P1GX30-326	BODY RETAINING SCREW, 3/8-16 X 3.5" 18-8 SS - ZP2 210/214	2
46	P2RTB210010000	ROTOR TWIN BLADE - ALLOY 88 - ZP2 210/214	2
	<i>P2RTB21001000H</i>	<i>ROTOR TWIN BLADE - ALLOY 88 - ZP2 210/214</i>	2
47	N70237	O-RING, ROTOR NUT (BUNA) - ZP2 210/214/320/324	2
	<i>E70237</i>	<i>O-RING, ROTOR NUT (EPDM) - ZP2 210/214/320/324</i>	2
	<i>V70237</i>	<i>O-RING, ROTOR NUT (VITON) - ZP2 210/214/320/324</i>	2



Exploded View

Optional Items Shown in ITALICS

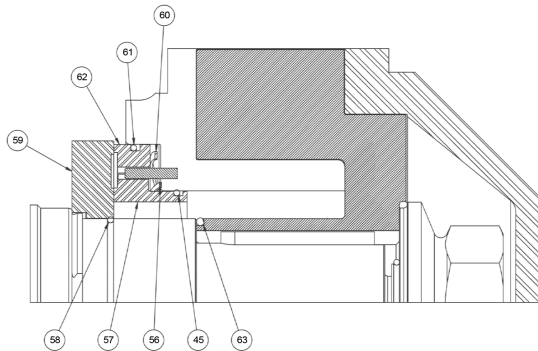
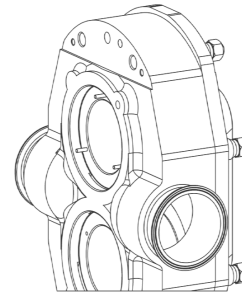
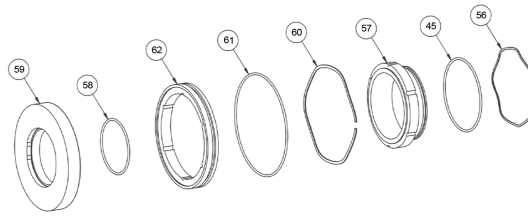
Ref #	Component Item No.	Description	Qty Per
48	N70125	O-RING, RETAINER (BUNA) - ZP2 210/214/320/324	2
	<i>E70125</i>	<i>O-RING, RETAINER (EPDM) - ZP2 210/214/320/324</i>	2
	<i>V70125</i>	<i>O-RING, RETAINER (VITON) - ZP2 210/214/320/324</i>	2
49	P2GX105411	BELLEVILLE WASHER, SS - ZP2 210/214/320/324	2
50	P2SX105409	ROTOR NUT - ZP2 210/214/320/324	2
51	N70382	O-RING, COVER (BUNA) - ZP2 210/214	1
	<i>E70382</i>	<i>O-RING, COVER (EPDM) - ZP2 210/214</i>	1
	<i>V70382</i>	<i>O-RING, COVER (VITON) - ZP2 210/214</i>	1
52	P2CVR112864	COVER - ZP2 210/214	1
53	P1SX108373	HEX NUT, COVER - ZP2 210/214/320/324	8
	<i>P1GX110858</i>	<i>WING NUT, COVER - ZP2 210/214/320/324</i>	8
55	P1GX30-212	CAPSCRW,HX,10-32X1/2,18-8SS	8
	P1GX30-213	WASHER,210/320,LOCK,10-32	8
	P1SX320SPATE	BEARING RETAINER SPLASH PLATE - ZP1 320/324	2
63	N70232	O-RING, ROTOR HUB (BUNA) - ZP2 210/214/320/324	2
	<i>E70232</i>	<i>O-RING, ROTOR HUB (BUNA) - ZP2 210/214/320/324</i>	2
	<i>V70232</i>	<i>O-RING, ROTOR HUB (BUNA) - ZP2 210/214/320/324</i>	2
64	P1SX105426	PLATE, SHIM - ZP2 210/214/320/324	2
65	P2GX30-612	SCREW, SHIM PLATE - ZP2 210/214/320/324	4
900	P1GXAD0096001	PICK,COMBO,O-RING ZP1 ZP2	1
901	P1GX000140003	OIL,460FG,MAGNAPLT,1GAL ZP	1
902	P1GX000140002	GREASE,HALO GUARD,14OZ TUBE ZP	1
903	P1GXRTVSEAL	SILICONE,DOW,732,30Z ZP1 ZP2	1



Single Mechanical Seal

Optional Items Shown in ITALICS

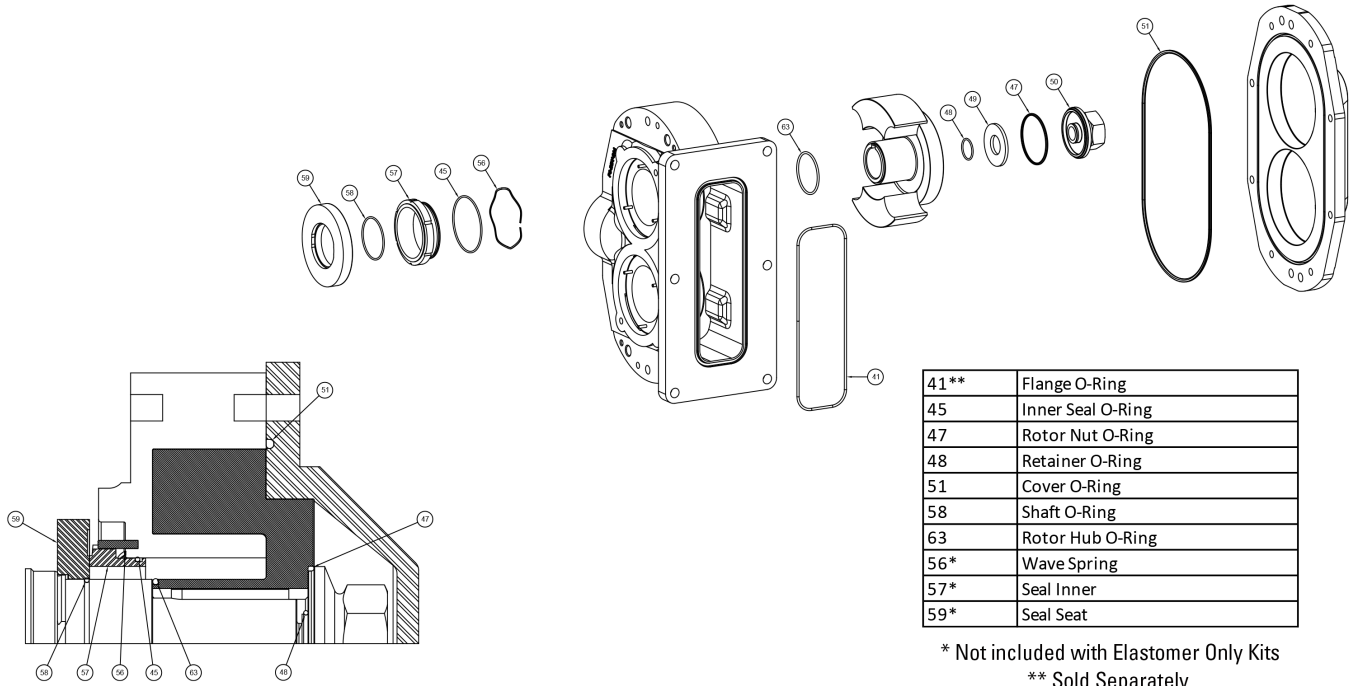
Ref #	Component Item No.	Description	Qty Per
45	N70154	O-RING, INNER SEAL (BUNA) - ZP2 210/214/320/324	2
	<i>E70154</i>	<i>O-RING, INNER SEAL (EPDM) - ZP2 210/214/320/324</i>	2
	<i>V70154</i>	<i>O-RING, INNER SEAL (VITON) - ZP2 210/214/320/324</i>	2
56	P2GS105419	INNER SEAL WAVE SPRING - ZP2 210/214/320/324	2
57	P2GS105413	INNER SEAL (K) - ZP2 210/214/320/324	2
	<i>P2GS105414</i>	<i>INNER SEAL (C) ZP2 210/214/320/324</i>	2
	<i>P2GS105412</i>	<i>INNER SEAL (N) - ZP2 210/214/320/324</i>	2
58	N70149	O-RING, SHAFT (BUNA) - ZP2 210/214/320/324	2
	<i>E70149</i>	<i>O-RING, SHAFT (EPDM) - ZP2 210/214/320/324</i>	2
	<i>V70149</i>	<i>O-RING, SHAFT (VITON) - ZP2 210/214/320/324</i>	2
59	P2GS105417	SEAL SEAT (C) ZP2 210/214/320/324	2
	<i>P2GS105416</i>	<i>SEAL SEAT (K) ZP2 210/214/320/324</i>	2
63	N70232	O-RING, ROTOR HUB (BUNA) - ZP2 210/214/320/324	2
	<i>E70232</i>	<i>O-RING, ROTOR HUB (EPDM) - ZP2 210/214/320/324</i>	2
	<i>V70232</i>	<i>O-RING, ROTOR HUB (VITON) - ZP2 210/214/320/324</i>	2



Double Mechanical Seal

Optional Items Shown in ITALICS

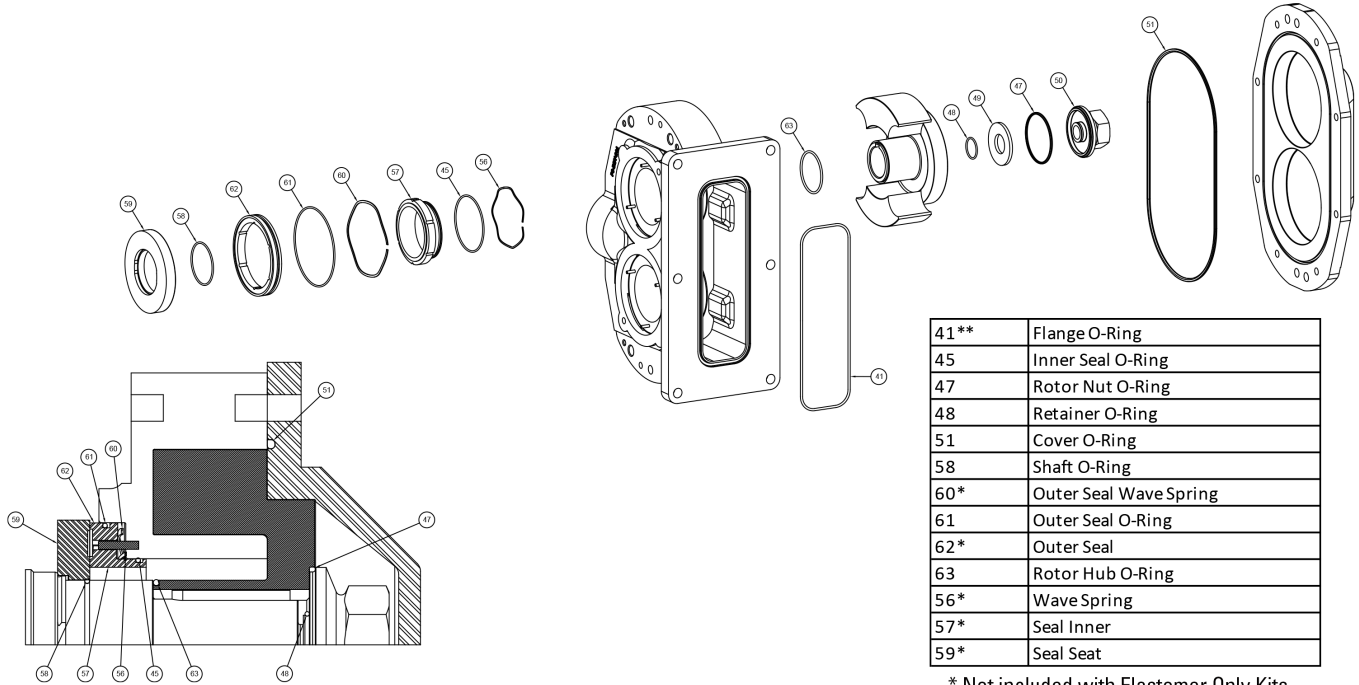
Ref #	Component Item No.	Description	Qty Per
45	N70154	O-RING, INNER SEAL (BUNA) - ZP2 210/214/320/324	2
	<i>E70154</i>	<i>O-RING, INNER SEAL (EPDM) - ZP2 210/214/320/324</i>	2
	<i>V70154</i>	<i>O-RING, INNER SEAL (VITON) - ZP2 210/214/320/324</i>	2
56	P2GS105419	INNER SEAL WAVE SPRING - ZP2 210/214/320/324	2
57	P2GS105413	INNER SEAL (K) - ZP2 210/214/320/324	2
	<i>P2GS105414</i>	<i>INNER SEAL (C) ZP2 210/214/320/324</i>	2
	<i>P2GS105412</i>	<i>INNER SEAL (N) - ZP2 210/214/320/324</i>	2
58	N70149	O-RING, SHAFT (BUNA) - ZP2 210/214/320/324	2
	<i>E70149</i>	<i>O-RING, SHAFT (EPDM) - ZP2 210/214/320/324</i>	2
	<i>V70149</i>	<i>O-RING, SHAFT (VITON) - ZP2 210/214/320/324</i>	2
59	P2GS105417	SEAL SEAT (C) ZP2 210/214/320/324	2
	<i>P2GS105416</i>	<i>SEAL SEAT (K) ZP2 210/214/320/324</i>	2
60	P2GS105420	OUTER SEAL WAVE SPRING - ZP2 210/214/320/324	2
61	N70160	O-RING, OUTER SEAL (BUNA) - ZP2 210/214/320/324	2
	<i>E70160</i>	<i>O-RING, OUTER SEAL (EPDM) - ZP2 210/214/320/324</i>	2
	<i>V70160</i>	<i>O-RING, OUTER SEAL (VITON) - ZP2 210/214/320/324</i>	2
62	P2GS105418	OUTER SEAL (N) ZP2 210/214/320/324	2
63	N70232	O-RING, ROTOR HUB (BUNA) - ZP2 210/214/320/324	2
	<i>E70232</i>	<i>O-RING, ROTOR HUB (EPDM) - ZP2 210/214/320/324</i>	2
	<i>V70232</i>	<i>O-RING, ROTOR HUB (VITON) - ZP2 210/214/320/324</i>	2



Single Mechanical Seal Kit

Optional Items Shown in ITALICS

Ref #	Component Item No.	Description	Qty Per
1	P2GX210000-N	SEAL KIT, SGL MECH, ELASTOMERS ONLY, BUNA - ZP2 210/214	1
	<i>P2GX210000-E</i>	<i>SEAL KIT, SGL MECH, ELASTOMERS ONLY, EPDM - ZP2 210/214</i>	<i>1</i>
	<i>P2GX210000-V</i>	<i>SEAL KIT, SGL MECH, ELASTOMERS ONLY, VITON - ZP2 210/214</i>	<i>1</i>
2	P2GS210000-N	SEAL KIT, SGL MECH, SC/CA, BUNA - ZP2 210/214	1
	<i>P2GS210000-E</i>	<i>SEAL KIT, SGL MECH, SC/CA, EPDM - ZP2 210/214</i>	<i>1</i>
	<i>P2GS210000-V</i>	<i>SEAL KIT, SGL MECH, SC/CA, VITON - ZP2 210/214</i>	<i>1</i>
3	P2GS210020-N	SEAL KIT, SGL MECH, CE/CA, BUNA - ZP2 210/214	1
	<i>P2GS210020-E</i>	<i>SEAL KIT, SGL MECH, CE/CA, EPDM - ZP2 210/214</i>	<i>1</i>
	<i>P2GS210020-V</i>	<i>SEAL KIT, SGL MECH, CE/CA, VITON - ZP2 210/214</i>	<i>1</i>
5	P2GS210010-N	SEAL KIT, SGL MECH, SC/SC, BUNA - ZP2 210/214	1
	<i>P2GS210010-E</i>	<i>SEAL KIT, SGL MECH, SC/SC, EPDM - ZP2 210/214</i>	<i>1</i>
	<i>P2GS210010-V</i>	<i>SEAL KIT, SGL MECH, SC/SC, VITON - ZP2 210/214</i>	<i>1</i>
49	P2GX105411	BELLEVILLE WASHER, SS - ZP2 210/214/320/324	2
50	P2SX105409	ROTOR NUT - ZP2 210/214/320/324	2

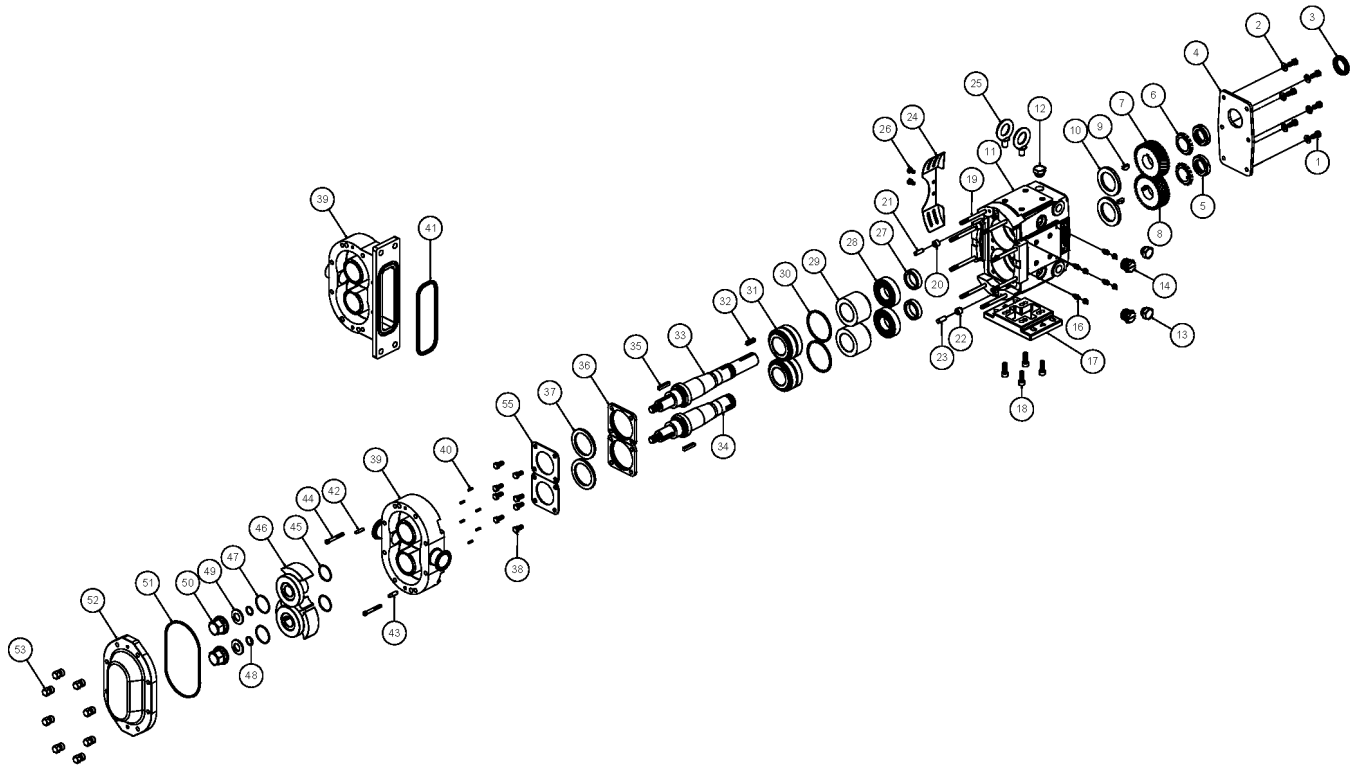


* Not included with Elastomer Only Kits
** Sold Separately

Double Mechanical Seal Kit

Optional Items Shown in ITALICS

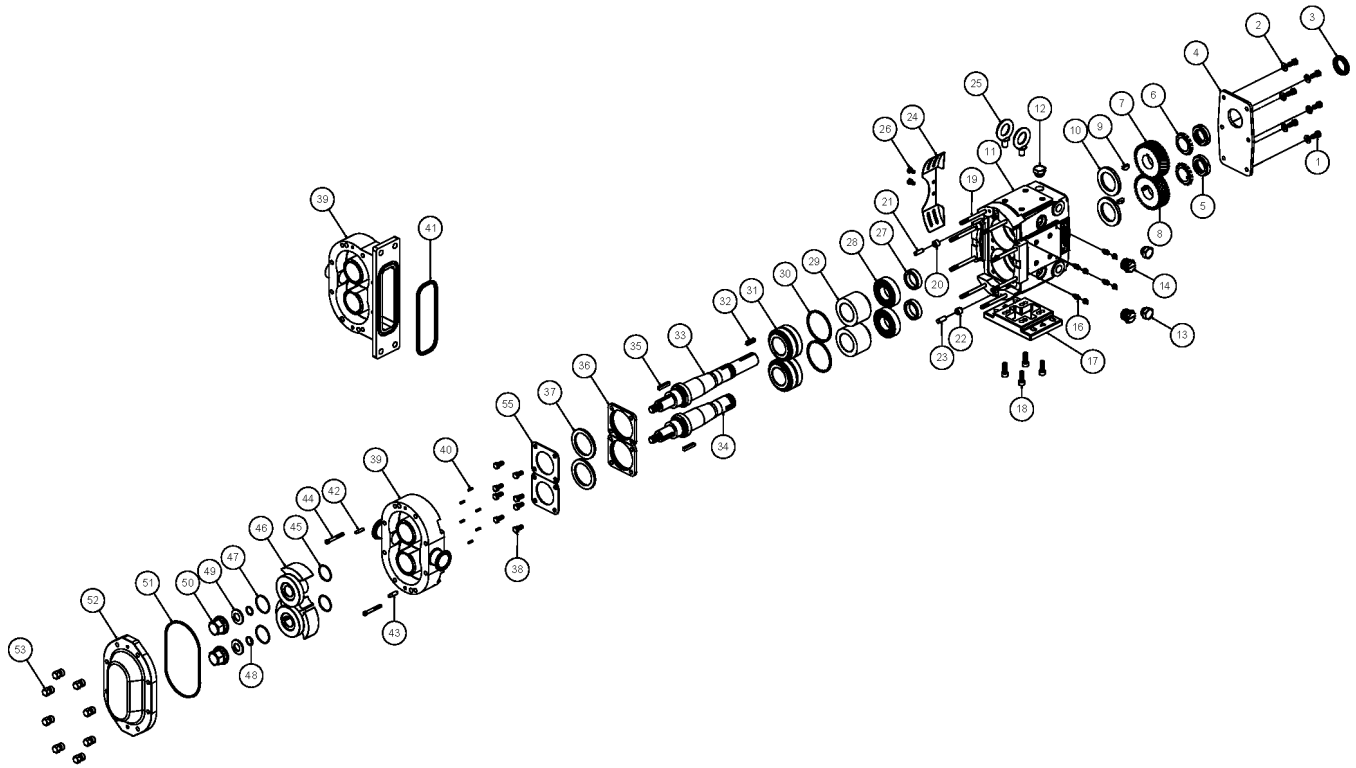
Ref #	Component Item No.	Description	Qty Per
1	P2GX210200-N	SEAL KIT, DBL MECH, ELASTOMERS ONLY, BUNA - ZP2 210/214	1
	<i>P2GX210200-E</i>	<i>SEAL KIT, DBL MECH, ELASTOMERS ONLY, EPDM - ZP2 210/214</i>	<i>1</i>
	<i>P2GX210200-V</i>	<i>SEAL KIT, DBL MECH, ELASTOMERS ONLY, VITON - ZP2 210/214</i>	<i>1</i>
2	P2GS210200-N	SEAL KIT, DBL MECH, SC/CA/CA, BUNA - ZP2 210/214	1
	<i>P2GS210200-E</i>	<i>SEAL KIT, DBL MECH, SC/CA/CA, EPDM - ZP2 210/214</i>	<i>1</i>
	<i>P2GS210200-V</i>	<i>SEAL KIT, DBL MECH, SC/CA/CA, VITON - ZP2 210/214</i>	<i>1</i>
3	P2GS210220-N	SEAL KIT, DBL MECH, CE/CA/CA, BUNA - ZP2 210/214	1
	<i>P2GS210220-E</i>	<i>SEAL KIT, DBL MECH, CE/CA/CA, EPDM - ZP2 210/214</i>	<i>1</i>
	<i>P2GS210220-V</i>	<i>SEAL KIT, DBL MECH, CE/CA/CA, VITON - ZP2 210/214</i>	<i>1</i>
5	P2GS210210-N	SEAL KIT, DBL MECH, SC/SC/CA, BUNA - ZP2 210/214	1
	<i>P2GS210210-E</i>	<i>SEAL KIT, DBL MECH, SC/SC/CA, EPDM - ZP2 210/214</i>	<i>1</i>
	<i>P2GS210210-V</i>	<i>SEAL KIT, DBL MECH, SC/SC/CA, VITON - ZP2 210/214</i>	<i>1</i>
49	P2GX105411	BELLEVILLE WASHER, SS - ZP2 210/214/320/324	2
50	P2SX105409	ROTOR NUT - ZP2 210/214/320/324	2



Exploded View

Optional Items Shown in ITALICS

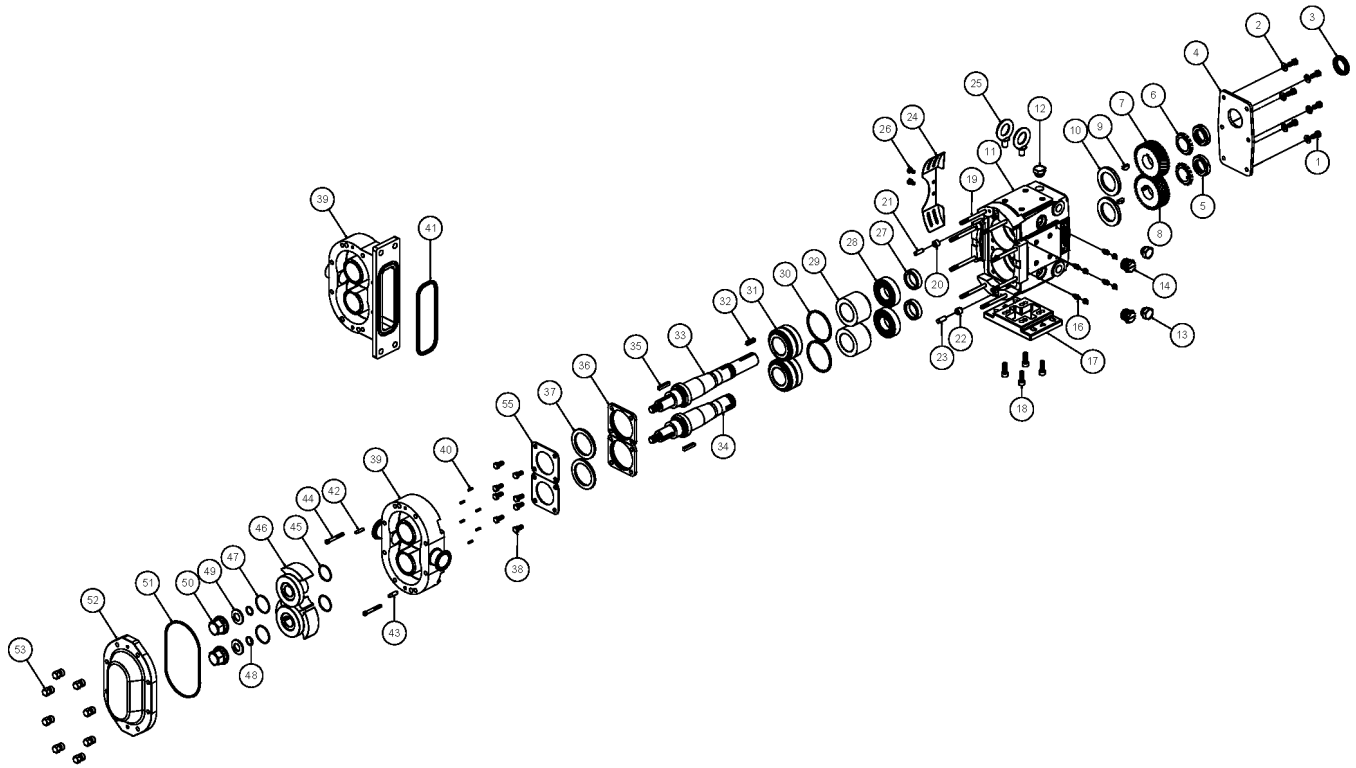
Ref #	Component Item No.	Description	Qty Per
1	P1GX30-50	GEAR CASE COVER BOLT - 3/8-16 X 3/4 HHCS (18-8 SS)	6
2	P1GX43-189	GEAR CASE COVER WASHER - 3/8 FLAT WASHER (18-8 SS)	6
3	P1GXSTD030006-ND	OIL SEAL, PTFE, GEAR CASE COVER - ZP1 & ZP2 220/223/224	1
	<i>P1GXSTD030006</i>	<i>OIL SEAL, GEAR CASE COVER - ZP1 & ZP2 220/223/224</i>	<i>1</i>
4	P1SX230106000	GEAR CASE COVER, SS - ZP1 & ZP2 180/220/224	1
5	P1GXSTD236011	GEAR LOCKNUT ZP1 & ZP2 220/223/224	2
6	P1GXSTD136011	GEAR LOCKWASHER ZP1 & ZP2 220/223/224	2
7	P1GX220007001	GEAR DRIVE SHAFT ZP1 & ZP2 180/220/224	1
8	P1GX220007002	GEAR SHORT SHAFT ZP1 & ZP2 180/220/224	1
9	P1GX200037000	GEAR KEY - ZP1 & ZP2 180/220/224	2
10	P1GXSTD119002	OIL SEAL REAR - ZP1 & ZP2 220/223/224	2
11	P1SX230005000	GEAR CASE, SS - ZP1 & ZP2 180/220/224	1
12	P1GX115798	PLUG,HEX,20M X1.5,W/NBR SEAL	5
13	P1GX115799	GAUGE,OIL,LVL,INDIC,M-20X1.5	1
14	P1GX70PLUG-SS	CLEAN OUT PLUG, SS - ZP1 & ZP2 45/60/64/130/134	4
	<i>P1GX70PLUG</i>	<i>CLEAN OUT PLUG, YELLOW - ZP1 & ZP2 45/60/64/130/134</i>	<i>4</i>
16	P1GXBD0092001	GREASE FITTING, THREADED 1/4"-28 TAPER, SS	8
17	P1SX230110000	GEAR CASE BASE, SS - ZP1 & ZP2 180/220/224	1
18	P1GX30-44	SHCS, G. CASE BASE, (18-8 SS) 1/2-13 X 2" ZP1 & ZP2 220/223	4
19	P1GX108844	STUD, ZP2 220	8
	<i>P1GX108847</i>	<i>STUD, JACKETED COVER, ZP2 220</i>	<i>8</i>
20	P1GXCD0116000	UPPER DOWEL BUSHING - ZP1 & ZP2 45/60/64/130/134/180/220/224	1
21	P1GX124584	DOWEL PIN - ZP1 & ZP2 45/60/64/130/134	1
22	P1GXCD0116100	LOWER DOWEL BUSHING - ZP1 & ZP2 45/60/64/130/134/180/220/224	1
23	P1GX124586	DOWEL PIN - ZP1 & ZP2 45/60/64/130/134	1
24	P1SX230CEGUARD	GUARD,180-224,(CE),GC,SS	2



Exploded View

Optional Items Shown in ITALICS

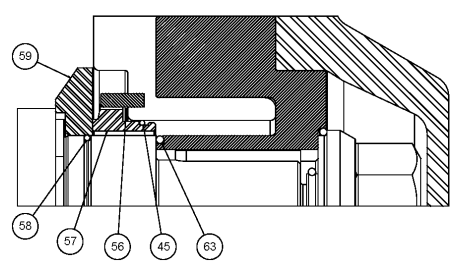
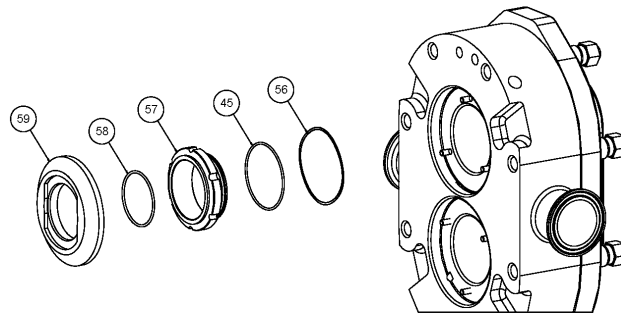
Ref #	Component Item No.	Description	Qty Per
25	P1GXKEYBOLT-SS	EYE BOLT,60-224,SS	2
26	P1GX000CENAIL	DRIVENAIL,ZP,GEAR CASE GUARDS	4
27	P1GX40878	GEAR TO REAR BEARING SPACER - ZP1 & ZP2 180/184/220/223/224	2
28	P1GX200035000	REAR BEARING - ZP1 & ZP2 220/223/224	2
29	P1GX40752	BEARING SPACER - ZP1 & ZP2 180/184/220/223/224	2
30	P1GX117892	SHIM KIT - ZP1 & ZP2 180/220/224	2
31	P1GX200036000	FRONT BEARING - ZP1 & ZP2 220/223/224	2
32	P1GX000037004	DRIVE KEY, 1/2" SQ. X 1" - ZP1 & ZP2 180/184/220/224	1
33	P2SX108415	DRIVE SHAFT (17-4PH) - ZP2 220/224	1
34	P2SX108416	SHORT SHAFT (17-4PH) - ZP2 220/224	1
35	P2SX101827	ROTOR KEY - ZP2 220/224	2
36	P1SX121829	BEARING RETAINER, NEW STYLE 3A - ZP1 & ZP2 180/220/224	2
37	P1GXSTD030002-ND	GREASE SEAL, PTFE, FRONT BEARING RET. - ZP1 & ZP2 220/223/224	2
	<i>P1GXSTD030002</i>	<i>GREASE SEAL FRONT BEARING RET. - ZP1 & ZP2 220/223/224</i>	2
39	P2BDY220001000	BODY - ZP2 220	1
	<i>P2BDY220001F00</i>	<i>BODY - ZP2 220 - FLUSHED</i>	1
40	P2GX101720	STOP PIN, SEAL	6
42	P1GX124584	DOWEL PIN - ZP1 & ZP2 45/60/64/130/134	1
43	P1GX124586	DOWEL PIN - ZP1 & ZP2 45/60/64/130/134	1
44	P1GX30-499	CAPSCRW,SH,3/8-16X4-1/2,18-8SS SCKT HD	2
45	N70041	O-RING, INNER SEAL (BUNA) - ZP2 180/184/220/224	2
	<i>E70041</i>	<i>O-RING, INNER SEAL (EPDM) - ZP2 180/184/220/224</i>	2
	<i>V70041</i>	<i>O-RING, INNER SEAL (VITON) - ZP2 180/184/220/224</i>	2
46	P2RTB220010000	ROTOR TWIN BLADE - ALLOY 88 - ZP2 220	2
	<i>P2RTB22001000H</i>	<i>ROTOR TWIN BLADE - ALLOY 88 - ZP2 220 - HOT CLEARANCE</i>	2
	<i>P2RTB220010200</i>	<i>ROTOR TWIN BLADE - 316L - ZP2 220</i>	2



Exploded View

Optional Items Shown in ITALICS

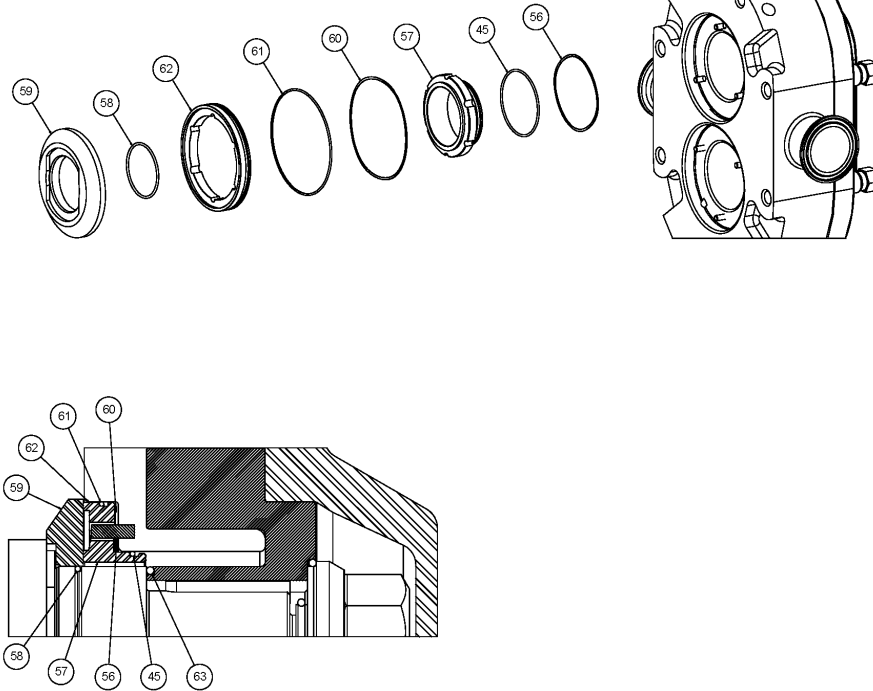
Ref #	Component Item No.	Description	Qty Per
47	N70235	O-RING, ROTOR NUT (BUNA) - ZP2 180/184/220/224	2
	<i>E70235</i>	<i>O-RING, ROTOR NUT (EPDM) - ZP2 180/184/220/224</i>	<i>2</i>
	<i>V70235</i>	<i>O-RING, ROTOR NUT (VITON) - ZP2 180/184/220/224</i>	<i>2</i>
48	N70122	O-RING, RETAINER (BUNA) - ZP2 180/220/224	2
	<i>E70122</i>	<i>O-RING, RETAINER (EPDM) - ZP2 180/220/224</i>	<i>2</i>
	<i>V70122</i>	<i>O-RING, RETAINER (VITON) - ZP2 180/220/224</i>	<i>2</i>
49	P2GX101694	BELLEVILLE WASHER, SS - ZP2 180/220/224	2
50	P2SX101807	ROTOR NUT - ZP2 180/220/224	2
51	N70381	O-RING, COVER (BUNA) - ZP2 180/184/220/224	1
	<i>E70381</i>	<i>O-RING, COVER (EPDM) - ZP2 180/184/220/224</i>	<i>1</i>
	<i>V70381</i>	<i>O-RING, COVER (VITON) - ZP2 180/184/220/224</i>	<i>1</i>
52	P2CVR101851	COVER - ZP2 180/184/220/224	1
	<i>P2CVR107670</i>	<i>COVER, JACKETED - ZP2 180/184/220/224</i>	<i>1</i>
53	P1SX108372	COVER HEX NUT - ZP1 & ZP2 180/220/224	8
	<i>P1GX105853</i>	<i>WING NUT - ZP1 & ZP2 180/220/224</i>	<i>8</i>
55	P1SX230SPLATE	BEARING RETAINER SPLASH PLATE - ZP1 & ZP2 180/220/224	2
900	P1GXAD0096001	PICK,COMBO,O-RING ZP1 ZP2	1
901	P1GX000140003	OIL,460FG,MAGNAPLT,1GAL ZP	1
902	P1GX000140002	GREASE,HALO GUARD,14OZ TUBE ZP	1
903	P1GXRTVSEAL	SILICONE,DOW,732,30Z ZP1 ZP2	1



Single Mechanical Seal

Optional Items Shown in ITALICS

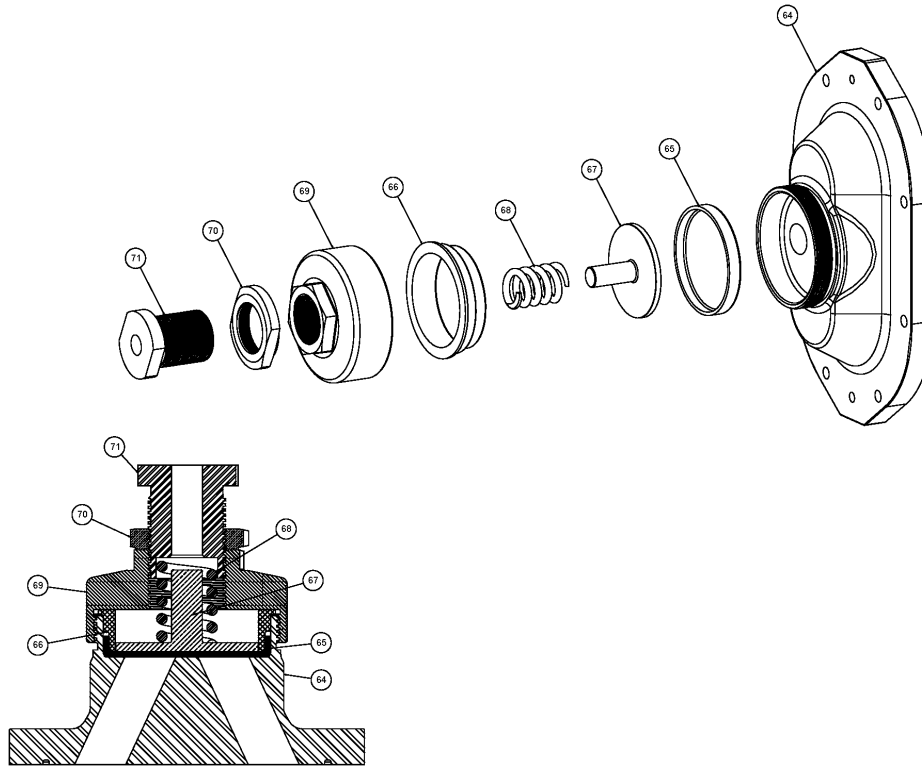
Ref #	Component Item No.	Description	Qty Per
45	N70041	O-RING, INNER SEAL (BUNA) - ZP2 180/184/220/224	2
	<i>E70041</i>	<i>O-RING, INNER SEAL (EPDM) - ZP2 180/184/220/224</i>	2
	<i>V70041</i>	<i>O-RING, INNER SEAL (VITON) - ZP2 180/184/220/224</i>	2
56	P2GS101689	INNER SEAL WAVE SPRING - ZP2 180/184/220/224	2
57	P2GS101664	INNER SEAL (K) - ZP2 180/184/220/224	2
	<i>P2GS101665</i>	<i>INNER SEAL (C) ZP2 180/184/220/224</i>	2
	<i>P2GS101663</i>	<i>INNER SEAL (N) - ZP2 180/184/220/224</i>	2
58	N70145	O-RING, SHAFT (BUNA) - ZP2 180/184/220/224	2
	<i>E70145</i>	<i>O-RING, SHAFT (EPDM) - ZP2 180/184/220/224</i>	2
	<i>V70145</i>	<i>O-RING, SHAFT (VITON) - ZP2 180/184/220/224</i>	2
59	P2GS101677	SEAL SEAT (C) ZP2 180/184/220/224	2
	<i>P2GS101676</i>	<i>SEAL SEAT (K) ZP2 180/184/220/224</i>	2
63	N70230	O-RING, ROTOR HUB (BUNA) - ZP2 180/184/220/224	2
	<i>E70230</i>	<i>O-RING, ROTOR HUB (EPDM) - ZP2 180/184/220/224</i>	2
	<i>V70230</i>	<i>O-RING, ROTOR HUB (VITON) - ZP2 180/184/220/224</i>	2



Double Mechanical Seal

Optional Items Shown in ITALICS

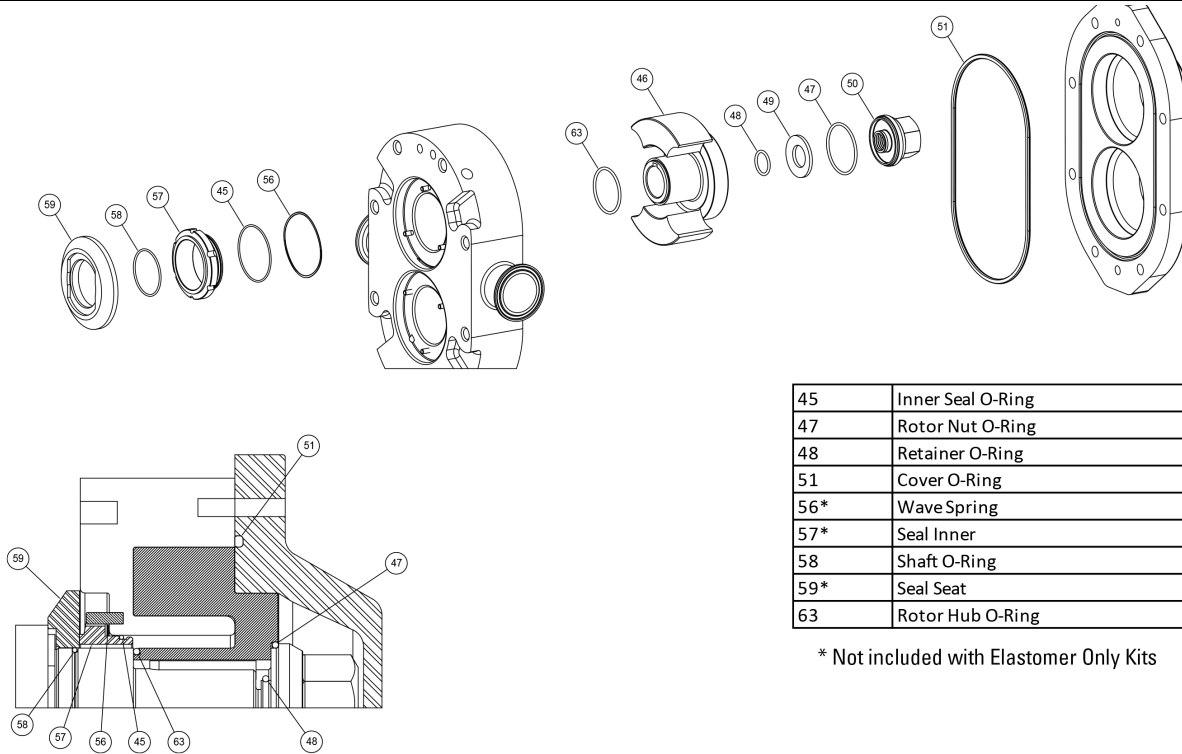
Ref #	Component Item No.	Description	Qty Per
45	N70041	O-RING, INNER SEAL (BUNA) - ZP2 180/184/220/224	2
	<i>E70041</i>	<i>O-RING, INNER SEAL (EPDM) - ZP2 180/184/220/224</i>	2
	<i>V70041</i>	<i>O-RING, INNER SEAL (VITON) - ZP2 180/184/220/224</i>	2
56	P2GS101689	INNER SEAL WAVE SPRING - ZP2 180/184/220/224	2
57	P2GS101664	INNER SEAL (K) - ZP2 180/184/220/224	2
	<i>P2GS101665</i>	<i>INNER SEAL (C) ZP2 180/184/220/224</i>	2
	<i>P2GS101663</i>	<i>INNER SEAL (N) - ZP2 180/184/220/224</i>	2
58	N70145	O-RING, SHAFT (BUNA) - ZP2 180/184/220/224	2
	<i>E70145</i>	<i>O-RING, SHAFT (EPDM) - ZP2 180/184/220/224</i>	2
	<i>V70145</i>	<i>O-RING, SHAFT (VITON) - ZP2 180/184/220/224</i>	2
59	P2GS101677	SEAL SEAT (C) ZP2 180/184/220/224	2
	<i>P2GS101676</i>	<i>SEAL SEAT (K) ZP2 180/184/220/224</i>	2
60	P2GS101690	OUTER SEAL WAVE SPRING - ZP2 220/224	2
61	N70046	O-RING, OUTER SEAL (BUNA) - ZP2 180/184/220/224	2
	<i>E70046</i>	<i>O-RING, OUTER SEAL (EPDM) - ZP2 180/184/220/224</i>	2
	<i>V70046</i>	<i>O-RING, OUTER SEAL (VITON) - ZP2 180/184/220/224</i>	2
62	P2GS101682	OUTER SEAL (N) ZP2 180/220/224	2
63	N70230	O-RING, ROTOR HUB (BUNA) - ZP2 180/184/220/224	2
	<i>E70230</i>	<i>O-RING, ROTOR HUB (EPDM) - ZP2 180/184/220/224</i>	2
	<i>V70230</i>	<i>O-RING, ROTOR HUB (VITON) - ZP2 180/184/220/224</i>	2



Pressure Relief Cover

Optional Items Shown in ITALICS

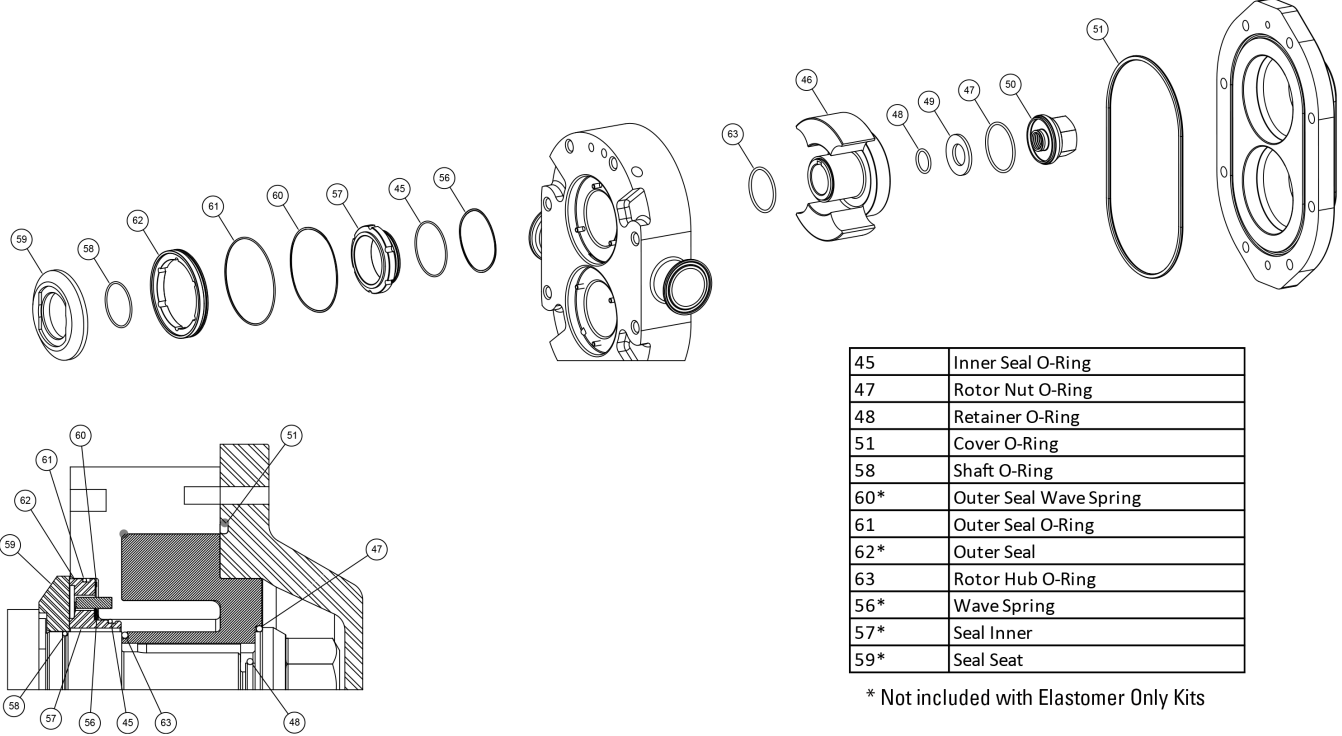
Ref #	Component Item No.	Description	Qty Per
64	P2CVR103672	VENTED FRONT COVER, ZP2 - 180/184/220/224	1
65	P1GXGD0078000	RUBBER DIAPHRAGM, BUNA, ZP1 & ZP2 & ZP3 - 180/184/220/224	1
	<i>P1GXGD0078V00</i>	<i>RUBBER DIAPHRAGM, VITON, ZP1 & ZP2 & ZP3 -180/184/220/224</i>	1
66	P1SXGD0077000	DIAPHRAGM BUSHING, ZP1 & ZP2 & ZP3 - 180/184/220/224	1
67	P1SXGD0073000	SPRING PLUNGER, ZP1 & ZP2 & ZP3 - 180/184/220/224	1
68	P1SX113400	SPRING, MEDIUM, (LESS THAN 150 PSI), ZP1 & ZP2 & ZP3 - 180/184/220/224	1
	<i>P1SX113524</i>	<i>SPRING, HIGH, (MORE THAN 150 PSI), ZP1 & ZP2 & ZP3 - 180/184/220/224</i>	1
69	P1SXGD0075000	COVER NUT, ZP1 & ZP2 & ZP3 - 180/184/220/224	1
70	P1SXGD0074000	LOCKNUT, ZP1 & ZP2 & ZP3 - 60/64/130/134/180/184/220/224	1
71	P1SX113657	ADJUSTING SCREW, ZP1 & ZP2 & ZP3 - 60/64/130/134/180/184/220/224	1



Single Mechanical Seal Kit

Optional Items Shown in ITALICS

Ref #	Component Item No.	Description	Qty Per
1	P2GX220000-N	SEAL KIT, SGL MECH, ELASTOMERS ONLY, BUNA - ZP2 180/184/220/224	1
	<i>P2GX220000-E</i>	<i>SEAL KIT, SGL MECH, ELASTOMERS ONLY, EPDM - ZP2 180/184/220/224</i>	<i>1</i>
	<i>P2GX220000-V</i>	<i>SEAL KIT, SGL MECH, ELASTOMERS ONLY, VITON - ZP2 180/184/220/224</i>	<i>1</i>
2	P2GS220000-N	SEAL KIT, SGL MECH, SC/CA, BUNA - ZP2 180/184/220/224	1
	<i>P2GS220000-E</i>	<i>SEAL KIT, SGL MECH, SC/CA, EPDM - ZP2 180/184/220/224</i>	<i>1</i>
	<i>P2GS220000-V</i>	<i>SEAL KIT, SGL MECH, SC/CA, VITON - ZP2 180/184/220/224</i>	<i>1</i>
3	P2GS220020-N	SEAL KIT, SGL MECH, CE/CA, BUNA - ZP2 180/184/220/224	1
	<i>P2GS220020-E</i>	<i>SEAL KIT, SGL MECH, CE/CA, EPDM - ZP2 180/184/220/224</i>	<i>1</i>
	<i>P2GS220020-V</i>	<i>SEAL KIT, SGL MECH, CE/CA, VITON - ZP2 180/184/220/224</i>	<i>1</i>
5	P2GS220010-N	SEAL KIT, SGL MECH, SC/SC, BUNA - ZP2 180/184/220/224	1
	<i>P2GS220010-E</i>	<i>SEAL KIT, SGL MECH, SC/SC, EPDM - ZP2 180/184/220/224</i>	<i>1</i>
	<i>P2GS220010-V</i>	<i>SEAL KIT, SGL MECH, SC/SC, VITON - ZP2 180/184/220/224</i>	<i>1</i>
49	P2GX101694	BELLEVILLE WASHER, SS - ZP2 180/220/224	2
50	P2SX101807	ROTOR NUT - ZP2 180/220/224	2



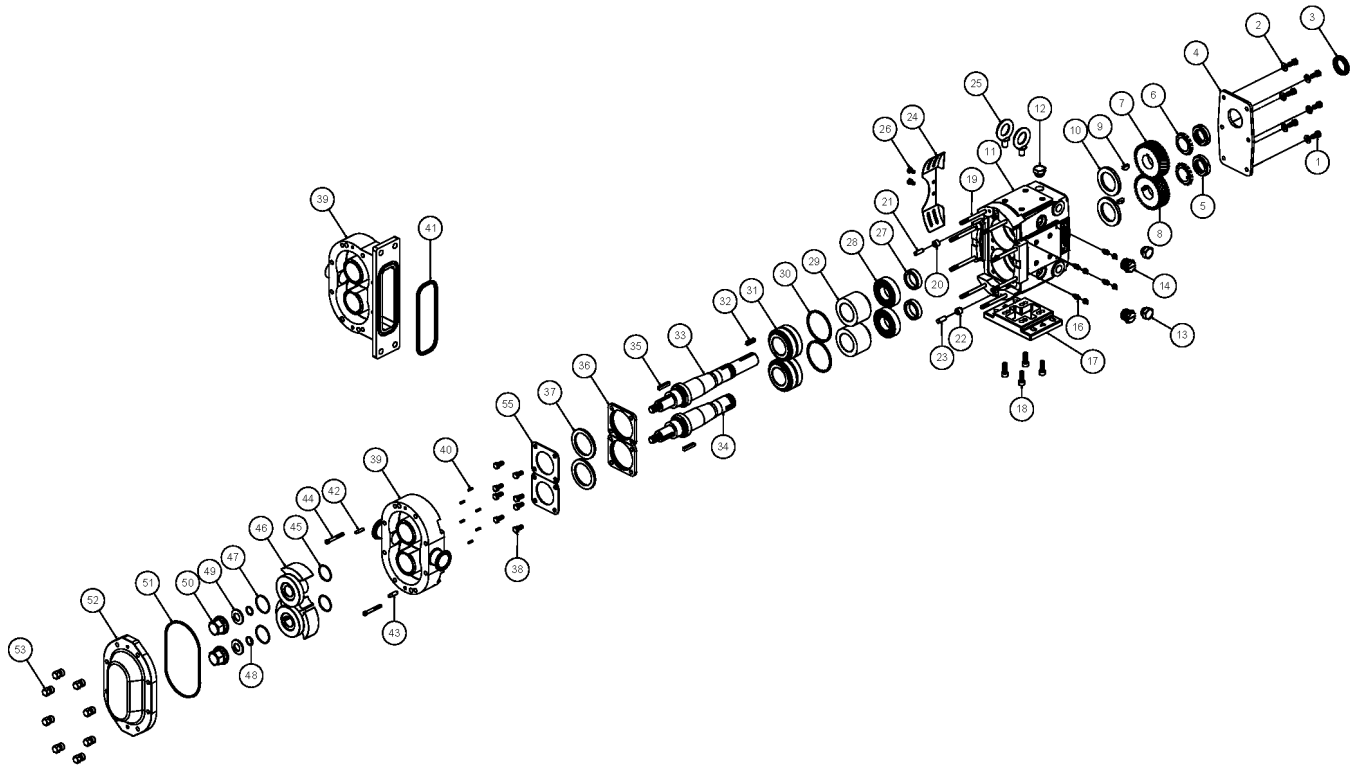
45	Inner Seal O-Ring
47	Rotor Nut O-Ring
48	Retainer O-Ring
51	Cover O-Ring
58	Shaft O-Ring
60*	Outer Seal Wave Spring
61	Outer Seal O-Ring
62*	Outer Seal
63	Rotor Hub O-Ring
56*	Wave Spring
57*	Seal Inner
59*	Seal Seat

* Not included with Elastomer Only Kits

Double Mechanical Seal Kit

Optional Items Shown in ITALICS

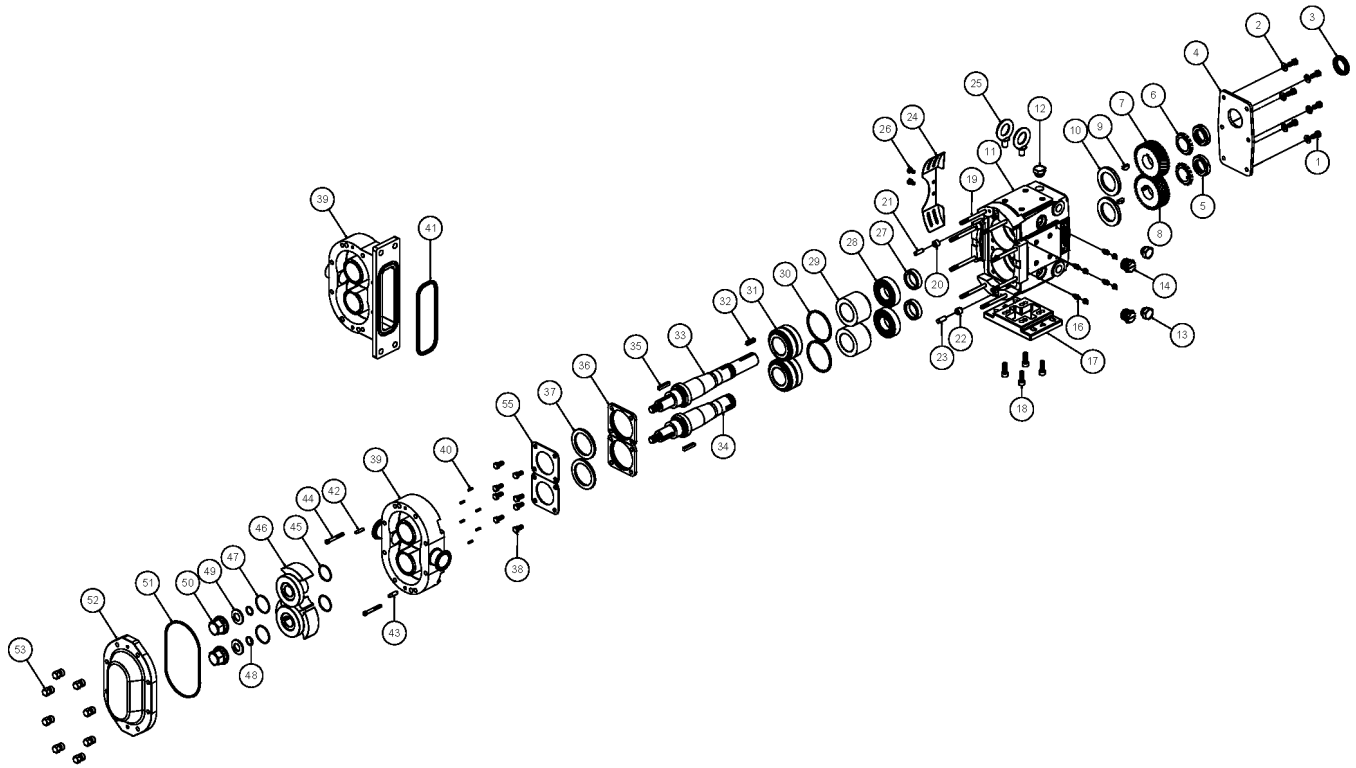
Ref #	Component Item No.	Description	Qty Per
1	P2GX220200-N	SEAL KIT, DBL MECH, ELASTOMERS ONLY, BUNA - ZP2 180/184/220/224	1
	<i>P2GX220200-E</i>	<i>SEAL KIT, DBL MECH, ELASTOMERS ONLY, EPDM - ZP2 180/184/220/224</i>	<i>1</i>
	<i>P2GX220200-V</i>	<i>SEAL KIT, DBL MECH, ELASTOMERS ONLY, VITON - ZP2 180/184/220/224</i>	<i>1</i>
2	P2GS220200-N	SEAL KIT, DBL MECH, SC/CA/CA, BUNA - ZP2 180/184/220/224	1
	<i>P2GS220200-E</i>	<i>SEAL KIT, DBL MECH, SC/CA/CA, EPDM - ZP2 180/184/220/224</i>	<i>1</i>
	<i>P2GS220200-V</i>	<i>SEAL KIT, DBL MECH, SC/CA/CA, VITON - ZP2 180/184/220/224</i>	<i>1</i>
3	P2GS220220-N	SEAL KIT, DBL MECH, CE/CA/CA, BUNA - ZP2 180/184/220/224	1
	<i>P2GS220220-E</i>	<i>SEAL KIT, DBL MECH, CE/CA/CA, EPDM - ZP2 180/184/220/224</i>	<i>1</i>
	<i>P2GS220220-V</i>	<i>SEAL KIT, DBL MECH, CE/CA/CA, VITON - ZP2 180/184/220/224</i>	<i>1</i>
4	<i>P2GS220230-E</i>	<i>SEAL KIT, DBL MECH, CE/CE/CA, EPDM - ZP2 180/184/220/224</i>	<i>1</i>
5	P2GS220210-N	SEAL KIT, DBL MECH, SC/SC/CA, BUNA - ZP2 180/184/220/224	1
	<i>P2GS220210-E</i>	<i>SEAL KIT, DBL MECH, SC/SC/CA, EPDM - ZP2 180/184/220/224</i>	<i>1</i>
	<i>P2GS220210-V</i>	<i>SEAL KIT, DBL MECH, SC/SC/CA, VITON - ZP2 180/184/220/224</i>	<i>1</i>
49	P2GX101694	BELLEVILLE WASHER, SS - ZP2 180/220/224	2
50	P2SX101807	ROTOR NUT - ZP2 180/220/224	2



Exploded View

Optional Items Shown in ITALICS

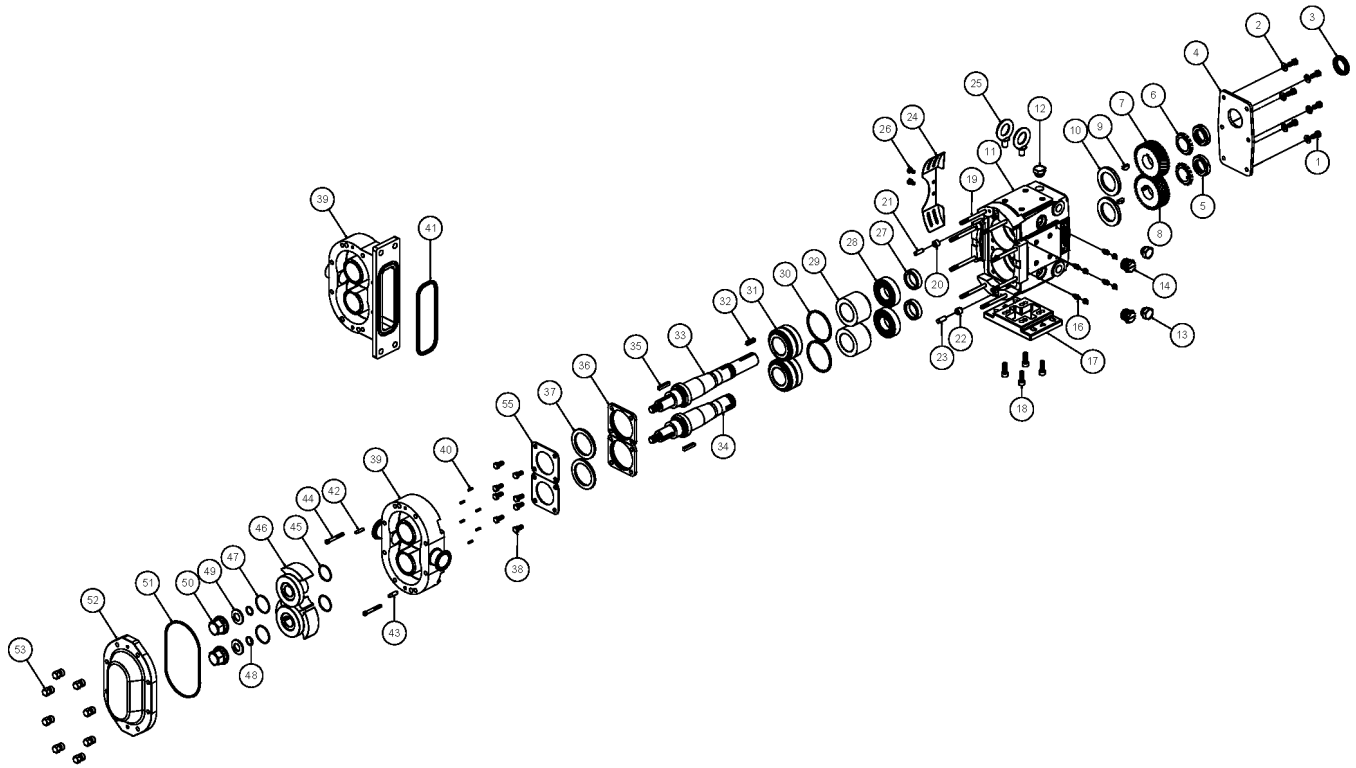
Ref #	Component Item No.	Description	Qty Per
1	P1GX30-50	GEAR CASE COVER BOLT - 3/8-16 X 3/4 HHCS (18-8 SS)	6
2	P1GX43-189	GEAR CASE COVER WASHER - 3/8 FLAT WASHER (18-8 SS)	6
3	P1GXSTD030006-ND	OIL SEAL, PTFE, GEAR CASE COVER - ZP1 & ZP2 220/223/224	1
	<i>P1GXSTD030006</i>	<i>OIL SEAL, GEAR CASE COVER - ZP1 & ZP2 220/223/224</i>	<i>1</i>
4	P1SX230106000	GEAR CASE COVER, SS - ZP1 & ZP2 180/220/224	1
5	P1GXSTD236011	GEAR LOCKNUT ZP1 & ZP2 220/223/224	2
6	P1GXSTD136011	GEAR LOCKWASHER ZP1 & ZP2 220/223/224	2
7	P1GX220007001	GEAR DRIVE SHAFT ZP1 & ZP2 180/220/224	1
8	P1GX220007002	GEAR SHORT SHAFT ZP1 & ZP2 180/220/224	1
9	P1GX200037000	GEAR KEY - ZP1 & ZP2 180/220/224	2
10	P1GXSTD119002	OIL SEAL REAR - ZP1 & ZP2 220/223/224	2
11	P1SX230005000	GEAR CASE, SS - ZP1 & ZP2 180/220/224	1
12	P1GX115798	PLUG,HEX,20M X1.5,W/NBR SEAL	5
13	P1GX115799	GAUGE,OIL,LVL,INDIC,M-20X1.5	1
14	P1GX70PLUG-SS	CLEAN OUT PLUG, SS - ZP1 & ZP2 45/60/64/130/134	4
	<i>P1GX70PLUG</i>	<i>CLEAN OUT PLUG, YELLOW - ZP1 & ZP2 45/60/64/130/134</i>	<i>4</i>
16	P1GXBD0092001	GREASE FITTING, THREADED 1/4"-28 TAPER, SS	8
17	P1SX230110000	GEAR CASE BASE, SS - ZP1 & ZP2 180/220/224	1
18	P1GX30-44	SHCS, G. CASE BASE, (18-8 SS) 1/2-13 X 2" ZP1 & ZP2 220/223	4
19	P1GX108844	STUD, ZP2 220	8
	<i>P1GX108847</i>	<i>STUD, JACKETED COVER, ZP2 220</i>	<i>8</i>
20	P1GXCD0116000	UPPER DOWEL BUSHING - ZP1 & ZP2 45/60/64/130/134/180/220/224	1
21	P1GX124584	DOWEL PIN - ZP1 & ZP2 45/60/64/130/134	1
22	P1GXCD0116100	LOWER DOWEL BUSHING - ZP1 & ZP2 45/60/64/130/134/180/220/224	1
23	P1GX124586	DOWEL PIN - ZP1 & ZP2 45/60/64/130/134	1
24	P1SX230CEGUARD	GUARD,180-224,(CE),GC,SS	2



Exploded View

Optional Items Shown in ITALICS

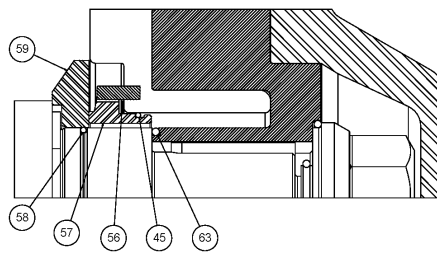
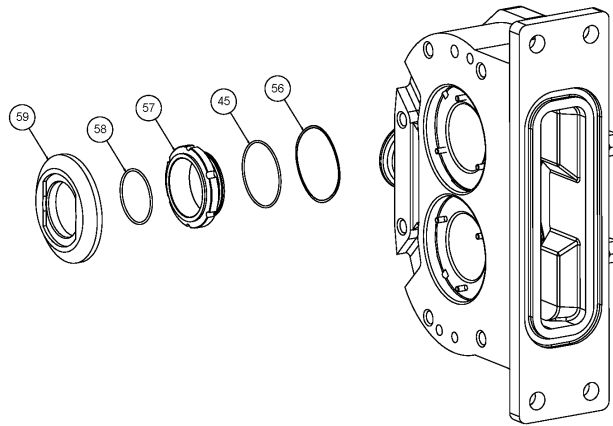
Ref #	Component Item No.	Description	Qty Per
25	P1GXKEYBOLT-SS	EYE BOLT,60-224,SS	2
26	P1GX000CENAIL	DRIVENAIL,ZP,GEAR CASE GUARDS	4
27	P1GX40878	GEAR TO REAR BEARING SPACER - ZP1 & ZP2 180/184/220/223/224	2
28	P1GX200035000	REAR BEARING - ZP1 & ZP2 220/223/224	2
29	P1GX40752	BEARING SPACER - ZP1 & ZP2 180/184/220/223/224	2
30	P1GX117892	SHIM KIT - ZP1 & ZP2 180/220/224	2
31	P1GX200036000	FRONT BEARING - ZP1 & ZP2 220/223/224	2
32	P1GX000037004	DRIVE KEY, 1/2" SQ. X 1" - ZP1 & ZP2 180/184/220/224	1
33	P2SX108415	DRIVE SHAFT (17-4PH) - ZP2 220/224	1
34	P2SX108416	SHORT SHAFT (17-4PH) - ZP2 220/224	1
35	P2SX101827	ROTOR KEY - ZP2 220/224	2
36	P1SX121829	BEARING RETAINER, NEW STYLE 3A - ZP1 & ZP2 180/220/224	2
37	P1GXSTD030002-ND	GREASE SEAL, PTFE, FRONT BEARING RET. - ZP1 & ZP2 220/223/224	2
	<i>P1GXSTD030002</i>	<i>GREASE SEAL FRONT BEARING RET. - ZP1 & ZP2 220/223/224</i>	2
39	P2BDY224001000	BODY - ZP2 224	1
	<i>P2BDY224001F00</i>	<i>BODY - ZP2 224 - FLUSHED</i>	1
40	P2GX101720	STOP PIN, SEAL	6
41	N70376	O-RING, RECTANGULAR FLANGE (BUNA) - ZP2 224	1
	<i>E70376</i>	<i>O-RING, RECTANGULAR FLANGE (EPDM) - ZP2 224</i>	1
	<i>V70376</i>	<i>O-RING, RECTANGULAR FLANGE (VITON) - ZP2 224</i>	1
42	P1GX124584	DOWEL PIN - ZP1 & ZP2 45/60/64/130/134	1
43	P1GX124586	DOWEL PIN - ZP1 & ZP2 45/60/64/130/134	1
44	P1GX30-499	CAPSCRW,SH,3/8-16X4-1/2,18-8SS SCKT HD	2
45	N70041	O-RING, INNER SEAL (BUNA) - ZP2 180/184/220/224	2
	<i>E70041</i>	<i>O-RING, INNER SEAL (EPDM) - ZP2 180/184/220/224</i>	2
	<i>V70041</i>	<i>O-RING, INNER SEAL (VITON) - ZP2 180/184/220/224</i>	2



Exploded View

Optional Items Shown in ITALICS

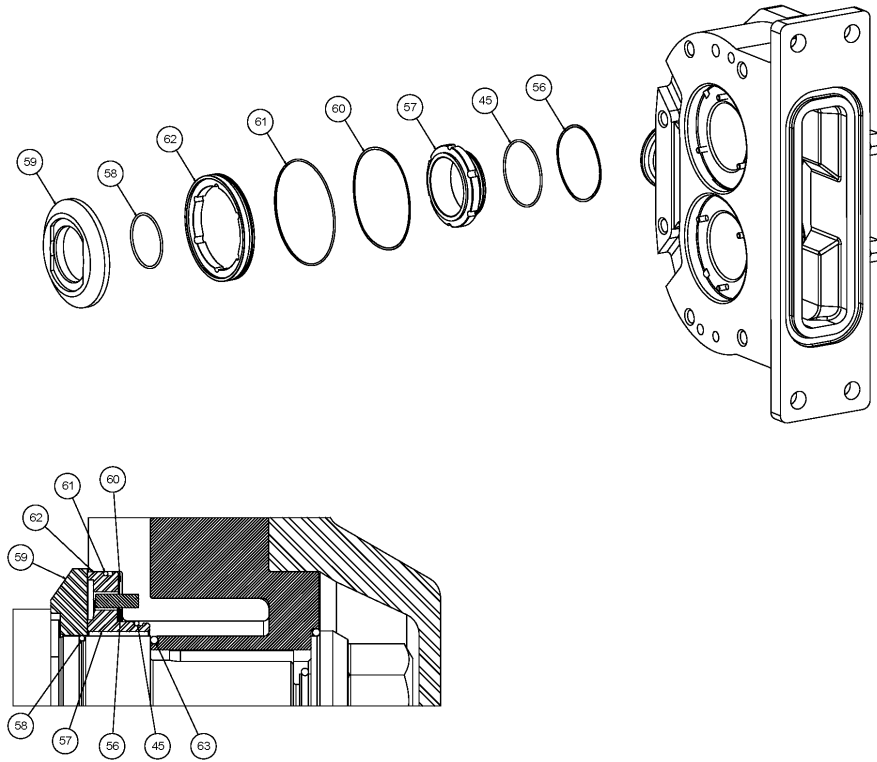
Ref #	Component Item No.	Description	Qty Per
46	P2RTB220010000	ROTOR TWIN BLADE - ALLOY 88 - ZP2 220	2
	<i>P2RTB22001000H</i>	<i>ROTOR TWIN BLADE - ALLOY 88 - ZP2 220 - HOT CLEARANCE</i>	2
	<i>P2RTB220010200</i>	<i>ROTOR TWIN BLADE - 316L - ZP2 220</i>	2
47	N70235	O-RING, ROTOR NUT (BUNA) - ZP2 180/184/220/224	2
	<i>E70235</i>	<i>O-RING, ROTOR NUT (EPDM) - ZP2 180/184/220/224</i>	2
	<i>V70235</i>	<i>O-RING, ROTOR NUT (VITON) - ZP2 180/184/220/224</i>	2
48	N70122	O-RING, RETAINER (BUNA) - ZP2 180/220/224	2
	<i>E70122</i>	<i>O-RING, RETAINER (EPDM) - ZP2 180/220/224</i>	2
	<i>V70122</i>	<i>O-RING, RETAINER (VITON) - ZP2 180/220/224</i>	2
49	P2GX101694	BELLEVILLE WASHER, SS - ZP2 180/220/224	2
50	P2SX101807	ROTOR NUT - ZP2 180/220/224	2
51	N70381	O-RING, COVER (BUNA) - ZP2 180/184/220/224	1
	<i>E70381</i>	<i>O-RING, COVER (EPDM) - ZP2 180/184/220/224</i>	1
	<i>V70381</i>	<i>O-RING, COVER (VITON) - ZP2 180/184/220/224</i>	1
52	P2CVR101851	COVER - ZP2 180/184/220/224	1
	<i>P2CVR107670</i>	<i>COVER, JACKETED - ZP2 180/184/220/224</i>	1
53	P1SX108372	COVER HEX NUT - ZP1 & ZP2 180/220/224	8
	<i>P1GX105853</i>	<i>WING NUT - ZP1 & ZP2 180/220/224</i>	8
55	P1SX230SPATE	BEARING RETAINER SPLASH PLATE - ZP1 & ZP2 180/220/224	2
900	P1GXAD0096001	PICK,COMBO,O-RING ZP1 ZP2	1
901	P1GX000140003	OIL,460FG,MAGNAPLT,1GAL ZP	1
902	P1GX000140002	GREASE,HALO GUARD,14OZ TUBE ZP	1
903	P1GXRTVSEAL	SILICONE,DOW,732,30Z ZP1 ZP2	1



Single Mechanical Seal

Optional Items Shown in ITALICS

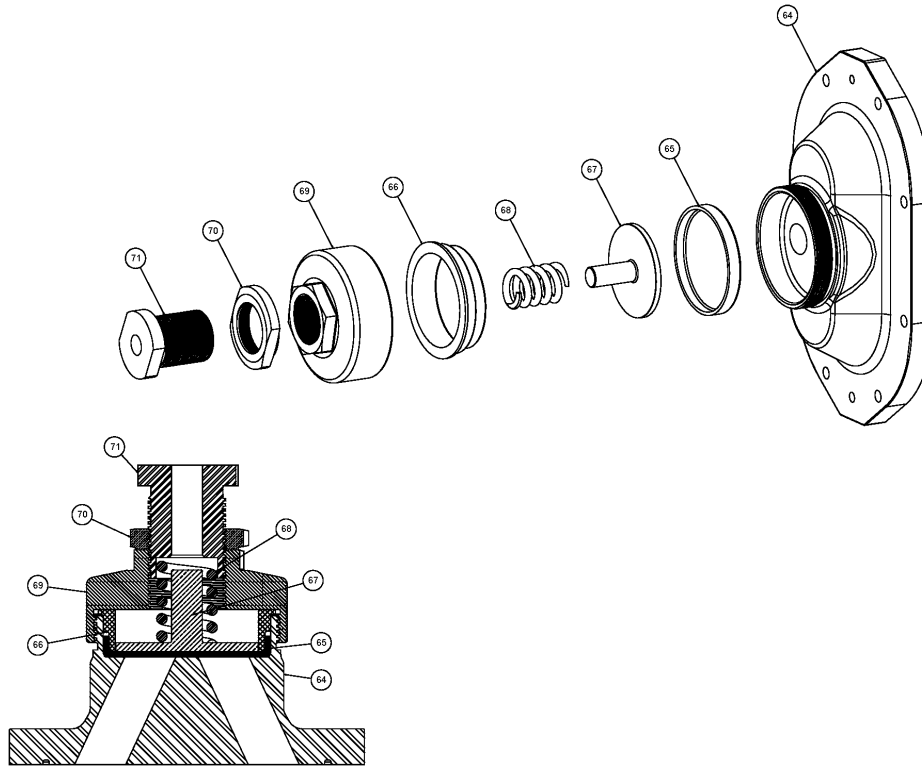
Ref #	Component Item No.	Description	Qty Per
45	N70041	O-RING, INNER SEAL (BUNA) - ZP2 180/184/220/224	2
	<i>E70041</i>	<i>O-RING, INNER SEAL (EPDM) - ZP2 180/184/220/224</i>	2
	<i>V70041</i>	<i>O-RING, INNER SEAL (VITON) - ZP2 180/184/220/224</i>	2
56	P2GS101689	INNER SEAL WAVE SPRING - ZP2 180/184/220/224	2
57	P2GS101664	INNER SEAL (K) - ZP2 180/184/220/224	2
	<i>P2GS101665</i>	<i>INNER SEAL (C) ZP2 180/184/220/224</i>	2
	<i>P2GS101663</i>	<i>INNER SEAL (N) - ZP2 180/184/220/224</i>	2
58	N70145	O-RING, SHAFT (BUNA) - ZP2 180/184/220/224	2
	<i>E70145</i>	<i>O-RING, SHAFT (EPDM) - ZP2 180/184/220/224</i>	2
	<i>V70145</i>	<i>O-RING, SHAFT (VITON) - ZP2 180/184/220/224</i>	2
59	P2GS101677	SEAL SEAT (C) ZP2 180/184/220/224	2
	<i>P2GS101676</i>	<i>SEAL SEAT (K) ZP2 180/184/220/224</i>	2
63	N70230	O-RING, ROTOR HUB (BUNA) - ZP2 180/184/220/224	2
	<i>E70230</i>	<i>O-RING, ROTOR HUB (EPDM) - ZP2 180/184/220/224</i>	2
	<i>V70230</i>	<i>O-RING, ROTOR HUB (VITON) - ZP2 180/184/220/224</i>	2



Double Mechanical Seal

Optional Items Shown in ITALICS

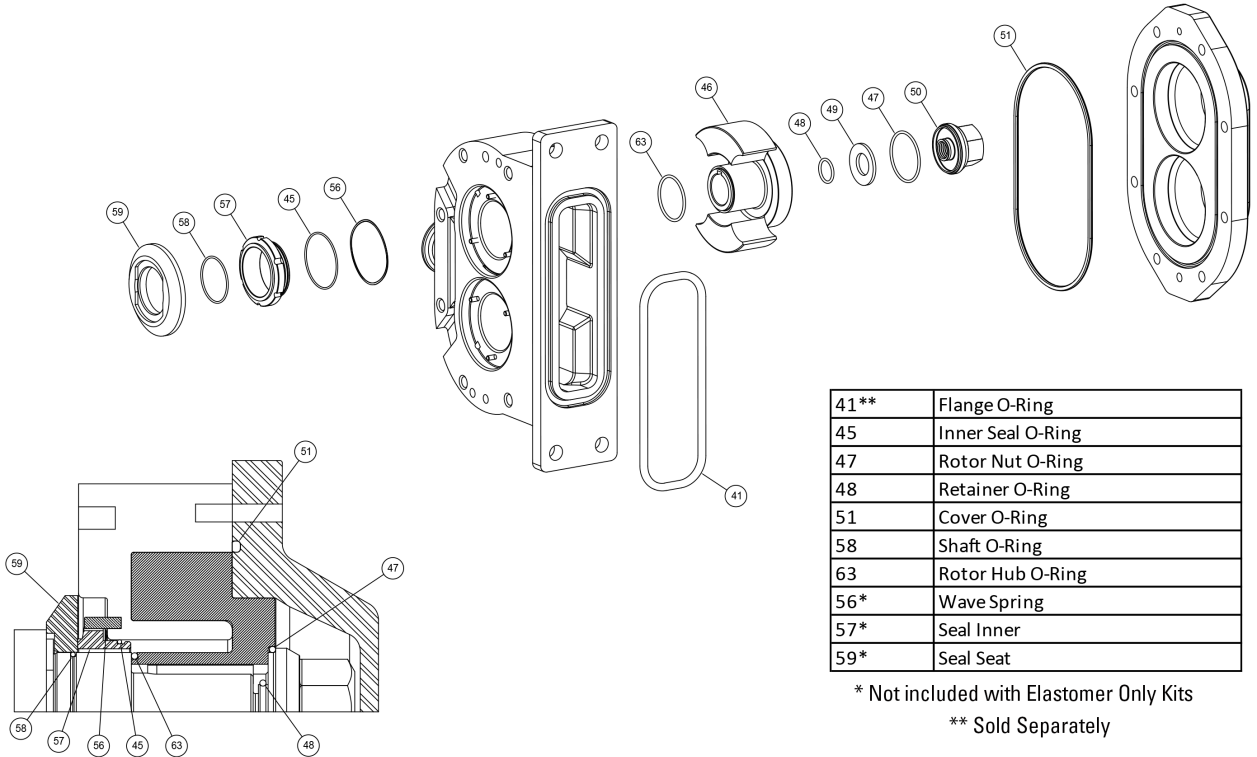
Ref #	Component Item No.	Description	Qty Per
45	N70041	O-RING, INNER SEAL (BUNA) - ZP2 180/184/220/224	2
	<i>E70041</i>	<i>O-RING, INNER SEAL (EPDM) - ZP2 180/184/220/224</i>	2
	<i>V70041</i>	<i>O-RING, INNER SEAL (VITON) - ZP2 180/184/220/224</i>	2
56	P2GS101689	INNER SEAL WAVE SPRING - ZP2 180/184/220/224	2
57	P2GS101664	INNER SEAL (K) - ZP2 180/184/220/224	2
	<i>P2GS101665</i>	<i>INNER SEAL (C) ZP2 180/184/220/224</i>	2
	<i>P2GS101663</i>	<i>INNER SEAL (N) - ZP2 180/184/220/224</i>	2
58	N70145	O-RING, SHAFT (BUNA) - ZP2 180/184/220/224	2
	<i>E70145</i>	<i>O-RING, SHAFT (EPDM) - ZP2 180/184/220/224</i>	2
	<i>V70145</i>	<i>O-RING, SHAFT (VITON) - ZP2 180/184/220/224</i>	2
59	P2GS101677	SEAL SEAT (C) ZP2 180/184/220/224	2
	<i>P2GS101676</i>	<i>SEAL SEAT (K) ZP2 180/184/220/224</i>	2
60	P2GS101690	OUTER SEAL WAVE SPRING - ZP2 220/224	2
61	N70046	O-RING, OUTER SEAL (BUNA) - ZP2 180/184/220/224	2
	<i>E70046</i>	<i>O-RING, OUTER SEAL (EPDM) - ZP2 180/184/220/224</i>	2
	<i>V70046</i>	<i>O-RING, OUTER SEAL (VITON) - ZP2 180/184/220/224</i>	2
62	P2GS101682	OUTER SEAL (N) ZP2 180/220/224	2
63	N70230	O-RING, ROTOR HUB (BUNA) - ZP2 180/184/220/224	2
	<i>E70230</i>	<i>O-RING, ROTOR HUB (EPDM) - ZP2 180/184/220/224</i>	2
	<i>V70230</i>	<i>O-RING, ROTOR HUB (VITON) - ZP2 180/184/220/224</i>	2



Pressure Relief Cover

Optional Items Shown in ITALICS

Ref #	Component Item No.	Description	Qty Per
64	P2CVR103672	VENTED FRONT COVER, ZP2 - 180/184/220/224	1
65	P1GXGD0078000	RUBBER DIAPHRAGM, BUNA, ZP1 & ZP2 & ZP3 - 180/184/220/224	1
	<i>P1GXGD0078V00</i>	<i>RUBBER DIAPHRAGM, VITON, ZP1 & ZP2 & ZP3 -180/184/220/224</i>	1
66	P1SXGD0077000	DIAPHRAGM BUSHING, ZP1 & ZP2 & ZP3 - 180/184/220/224	1
67	P1SXGD0073000	SPRING PLUNGER, ZP1 & ZP2 & ZP3 - 180/184/220/224	1
68	P1SX113400	SPRING, MEDIUM, (LESS THAN 150 PSI), ZP1 & ZP2 & ZP3 - 180/184/220/224	1
	<i>P1SX113524</i>	<i>SPRING, HIGH, (MORE THAN 150 PSI), ZP1 & ZP2 & ZP3 - 180/184/220/224</i>	1
69	P1SXGD0075000	COVER NUT, ZP1 & ZP2 & ZP3 - 180/184/220/224	1
70	P1SXGD0074000	LOCKNUT, ZP1 & ZP2 & ZP3 - 60/64/130/134/180/184/220/224	1
71	P1SX113657	ADJUSTING SCREW, ZP1 & ZP2 & ZP3 - 60/64/130/134/180/184/220/224	1



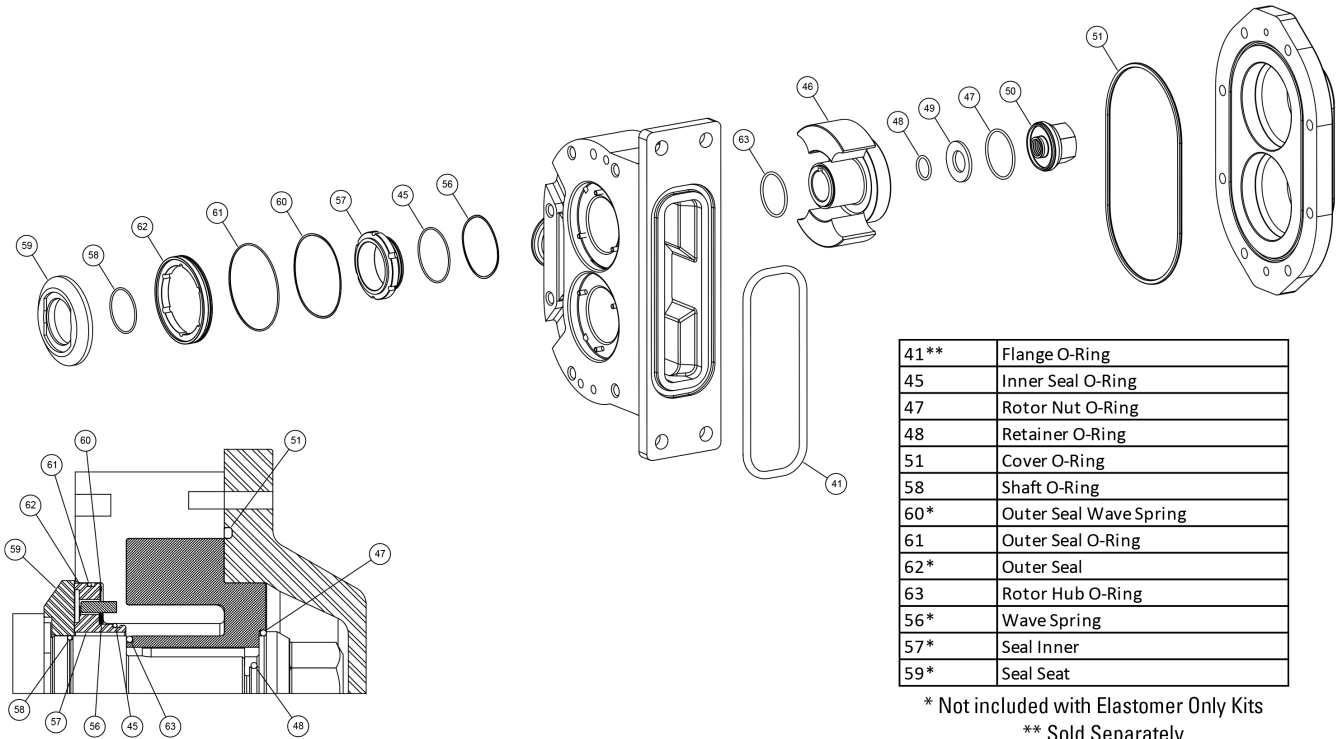
41**	Flange O-Ring
45	Inner Seal O-Ring
47	Rotor Nut O-Ring
48	Retainer O-Ring
51	Cover O-Ring
58	Shaft O-Ring
63	Rotor Hub O-Ring
56*	Wave Spring
57*	Seal Inner
59*	Seal Seat

* Not included with Elastomer Only Kits
** Sold Separately

Single Mechanical Seal Kit

Optional Items Shown in ITALICS

Ref #	Component Item No.	Description	Qty Per
1	P2GX220000-N	SEAL KIT, SGL MECH, ELASTOMERS ONLY, BUNA - ZP2 180/184/220/224	1
	<i>P2GX220000-E</i>	<i>SEAL KIT, SGL MECH, ELASTOMERS ONLY, EPDM - ZP2 180/184/220/224</i>	<i>1</i>
	<i>P2GX220000-V</i>	<i>SEAL KIT, SGL MECH, ELASTOMERS ONLY, VITON - ZP2 180/184/220/224</i>	<i>1</i>
2	P2GS220000-N	SEAL KIT, SGL MECH, SC/CA, BUNA - ZP2 180/184/220/224	1
	<i>P2GS220000-E</i>	<i>SEAL KIT, SGL MECH, SC/CA, EPDM - ZP2 180/184/220/224</i>	<i>1</i>
	<i>P2GS220000-V</i>	<i>SEAL KIT, SGL MECH, SC/CA, VITON - ZP2 180/184/220/224</i>	<i>1</i>
3	P2GS220020-N	SEAL KIT, SGL MECH, CE/CA, BUNA - ZP2 180/184/220/224	1
	<i>P2GS220020-E</i>	<i>SEAL KIT, SGL MECH, CE/CA, EPDM - ZP2 180/184/220/224</i>	<i>1</i>
	<i>P2GS220020-V</i>	<i>SEAL KIT, SGL MECH, CE/CA, VITON - ZP2 180/184/220/224</i>	<i>1</i>
5	P2GS220010-N	SEAL KIT, SGL MECH, SC/SC, BUNA - ZP2 180/184/220/224	1
	<i>P2GS220010-E</i>	<i>SEAL KIT, SGL MECH, SC/SC, EPDM - ZP2 180/184/220/224</i>	<i>1</i>
	<i>P2GS220010-V</i>	<i>SEAL KIT, SGL MECH, SC/SC, VITON - ZP2 180/184/220/224</i>	<i>1</i>
49	P2GX101694	BELLEVILLE WASHER, SS - ZP2 180/220/224	2
50	P2SX101807	ROTOR NUT - ZP2 180/220/224	2



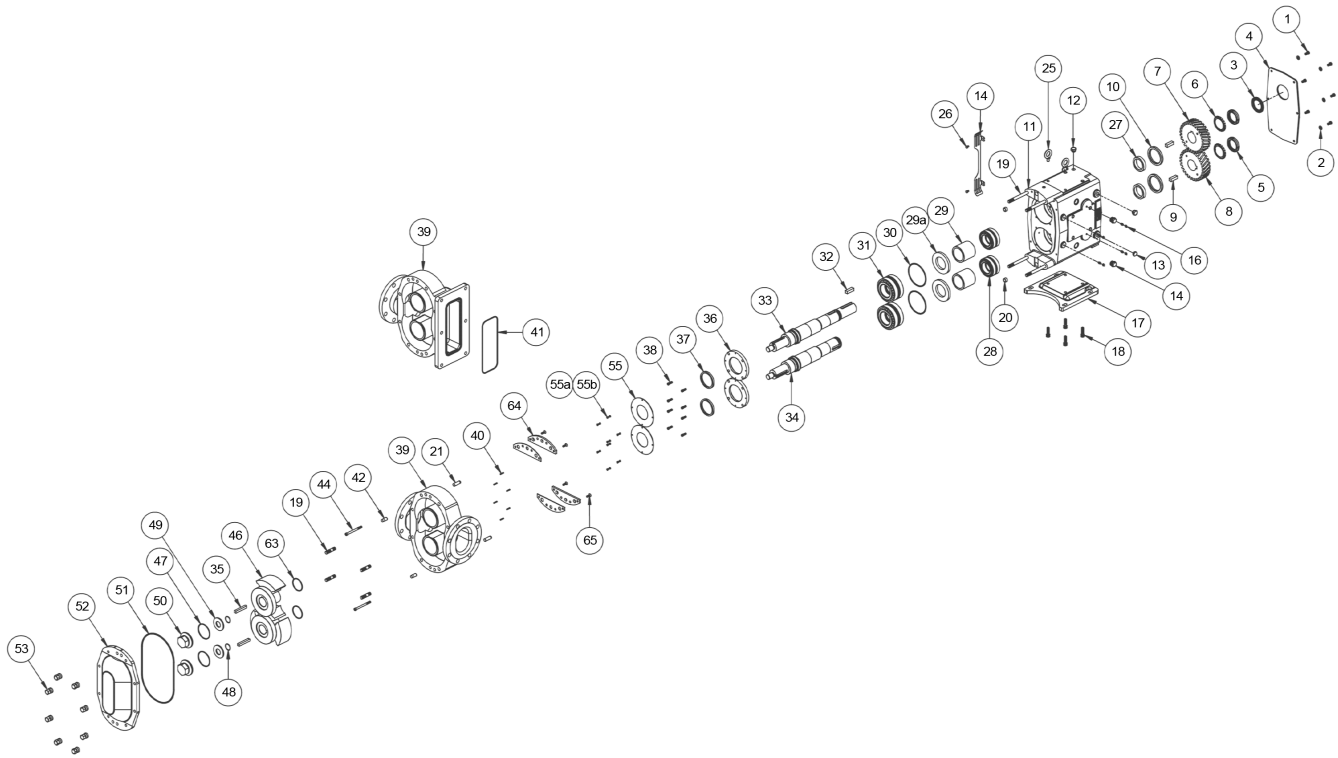
41**	Flange O-Ring
45	Inner Seal O-Ring
47	Rotor Nut O-Ring
48	Retainer O-Ring
51	Cover O-Ring
58	Shaft O-Ring
60*	Outer Seal WaveSpring
61	Outer Seal O-Ring
62*	Outer Seal
63	Rotor Hub O-Ring
56*	Wave Spring
57*	Seal Inner
59*	Seal Seat

* Not included with Elastomer Only Kits
** Sold Separately

Double Mechanical Seal Kit

Optional Items Shown in ITALICS

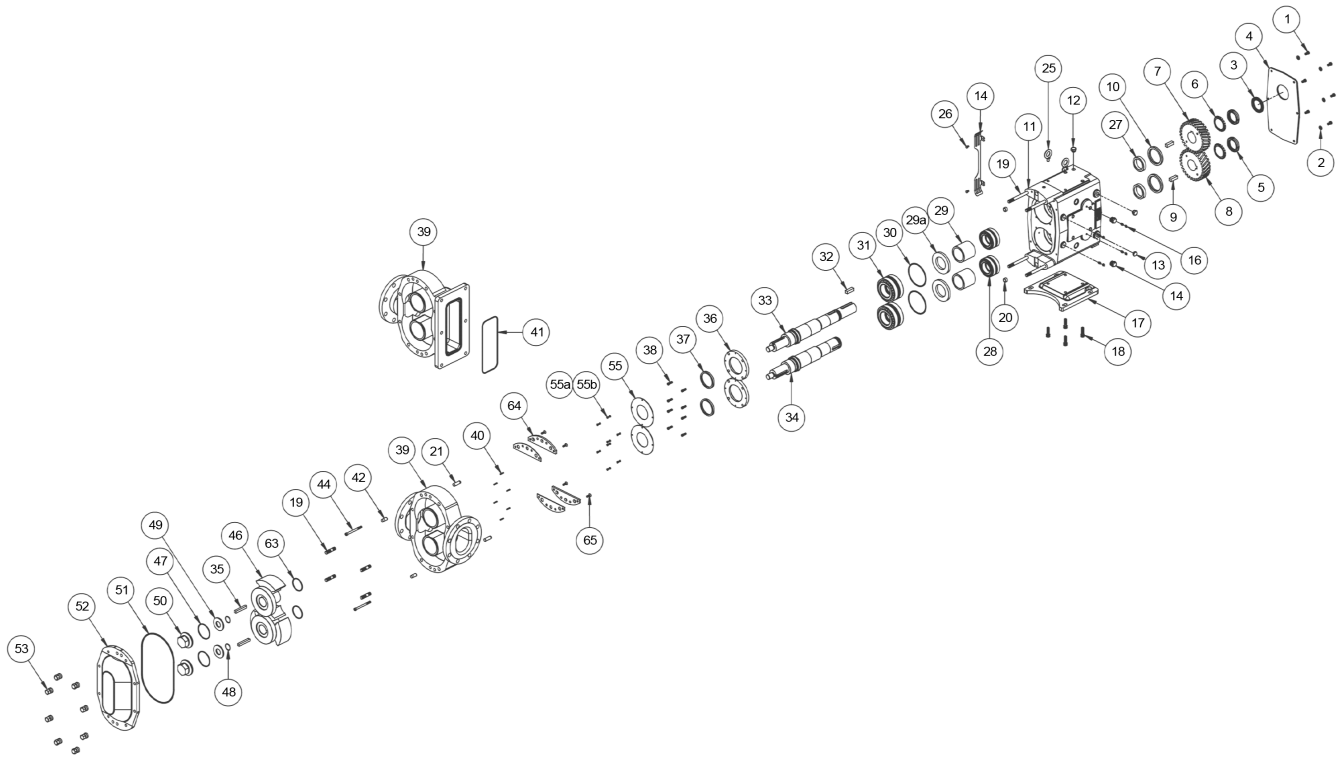
Ref #	Component Item No.	Description	Qty Per
1	P2GX220200-N	SEAL KIT, DBL MECH, ELASTOMERS ONLY, BUNA - ZP2 180/184/220/224	1
	<i>P2GX220200-E</i>	<i>SEAL KIT, DBL MECH, ELASTOMERS ONLY, EPDM - ZP2 180/184/220/224</i>	<i>1</i>
	<i>P2GX220200-V</i>	<i>SEAL KIT, DBL MECH, ELASTOMERS ONLY, VITON - ZP2 180/184/220/224</i>	<i>1</i>
2	P2GS220200-N	SEAL KIT, DBL MECH, SC/CA/CA, BUNA - ZP2 180/184/220/224	1
	<i>P2GS220200-E</i>	<i>SEAL KIT, DBL MECH, SC/CA/CA, EPDM - ZP2 180/184/220/224</i>	<i>1</i>
	<i>P2GS220200-V</i>	<i>SEAL KIT, DBL MECH, SC/CA/CA, VITON - ZP2 180/184/220/224</i>	<i>1</i>
3	P2GS220220-N	SEAL KIT, DBL MECH, CE/CA/CA, BUNA - ZP2 180/184/220/224	1
	<i>P2GS220220-E</i>	<i>SEAL KIT, DBL MECH, CE/CA/CA, EPDM - ZP2 180/184/220/224</i>	<i>1</i>
	<i>P2GS220220-V</i>	<i>SEAL KIT, DBL MECH, CE/CA/CA, VITON - ZP2 180/184/220/224</i>	<i>1</i>
4	<i>P2GS220230-E</i>	<i>SEAL KIT, DBL MECH, CE/CE/CA, EPDM - ZP2 180/184/220/224</i>	<i>1</i>
5	P2GS220210-N	SEAL KIT, DBL MECH, SC/SC/CA, BUNA - ZP2 180/184/220/224	1
	<i>P2GS220210-E</i>	<i>SEAL KIT, DBL MECH, SC/SC/CA, EPDM - ZP2 180/184/220/224</i>	<i>1</i>
	<i>P2GS220210-V</i>	<i>SEAL KIT, DBL MECH, SC/SC/CA, VITON - ZP2 180/184/220/224</i>	<i>1</i>
49	P2GX101694	BELLEVILLE WASHER, SS - ZP2 180/220/224	2
50	P2SX101807	ROTOR NUT - ZP2 180/220/224	2



Exploded View

Optional Items Shown in ITALICS

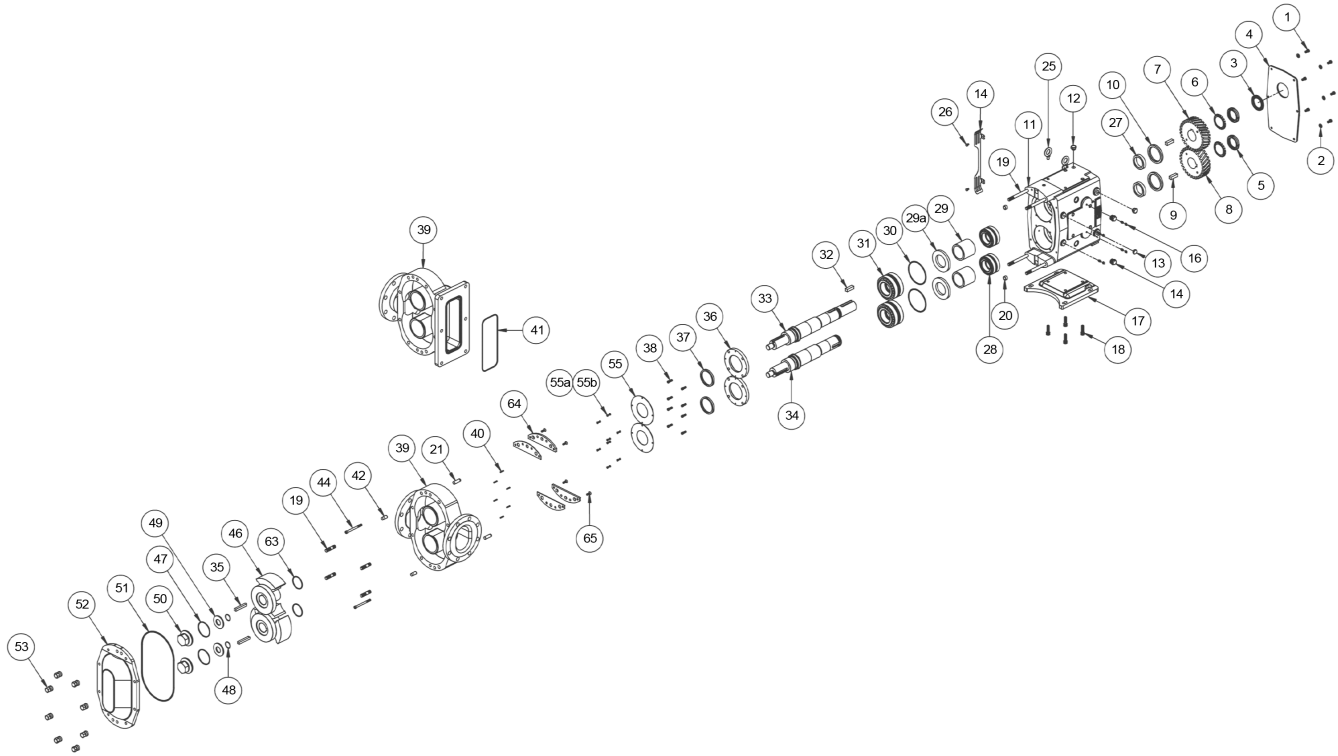
Ref #	Component Item No.	Description	Qty Per
1	P1GX30-50	GEAR CASE COVER BOLT - 3/8-16 X 3/4 HHCS (18-8 SS)	6
2	P1GX43-189	GEAR CASE COVER WASHER - 3/8 FLAT WASHER (18-8 SS)	6
3	P1GXSTD030004-ND	OIL SEAL, PTFE, GEAR CASE COVER - ZP2 210/214/320/324	1
	<i>P1GXSTD030004</i>	<i>OIL SEAL, GEAR CASE COVER - ZP2 210/214/320/324</i>	<i>1</i>
4	P1SX40669	GEAR CASE COVER, SS - ZP2 210/214/320/324	1
5	P1GXOH1236000	GEAR LOCKNUT - ZP2 210/214/320/324	2
6	P1GXOH1136000	GEAR LOCKWASHER - ZP2 210/214/320/324	2
7	P1GX320007001	GEAR DRIVE SHAFT - ZP2 210/214/320/324	1
8	P1GX320007002	GEAR SHORT SHAFT - ZP2 210/214/320/324	1
9	P1GXOH1037000	GEAR KEY - ZP2 210/214/320/324	2
10	P1GX102475	OIL SEAL REAR - ZP2 210/214/320/324	2
11	P2SX105478	GEAR CASE, SS - ZP2 & ZP3 210/214/320/324	1
12	P1GX115798	PLUG,HEX,20M X1.5,W/NBR SEAL	5
13	P1GX115799	GAUGE,OIL,LVL,INDIC,M-20X1.5	1
14	P1GX70PLUG-SS	CLEAN OUT PLUG, SS - ZP1 & ZP2 45/60/64/130/134	4
	<i>P1GX70PLUG</i>	<i>CLEAN OUT PLUG, YELLOW - ZP1 & ZP2 45/60/64/130/134</i>	<i>4</i>
16	P1GXBD0092001	GREASE FITTING, THREADED 1/4"-28 TAPER, SS	8
17	P1SX40288	GEAR CASE BASE, SS - ZP2 210/214/320/324	1
18	P1GX30-250	SHCS, G. CASE BASE, (18-8 SS) 1/2-13 X 1.75" ZP2 210/214/320/324	4
19	P1GX111291	STUD, LONG, ZP2 320/324	4
	P1GX111292	STUD, SHORT, ZP2 320/324	4
20	P1GX105871	DOWEL PIN, GEAR BOX SIDE - ZP3 210/214/320/324	2
	P1GXOH1116000	DOWEL BUSHING - ZP3 210/214/320/324	2
24	P2SX320CEGUARD	GUARD,210/214/320/324,(CE),GC,SS	2
25	P1GXKEYBOLT-SS	EYE BOLT,60-224,SS	3
26	P1GX000CENAIL	DRIVENAIL,ZP,GEAR CASE GUARDS	4



Exploded View

Optional Items Shown in ITALICS

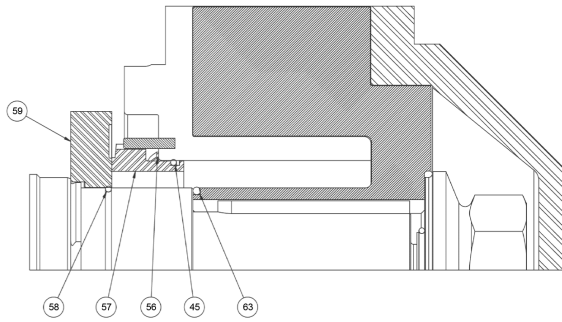
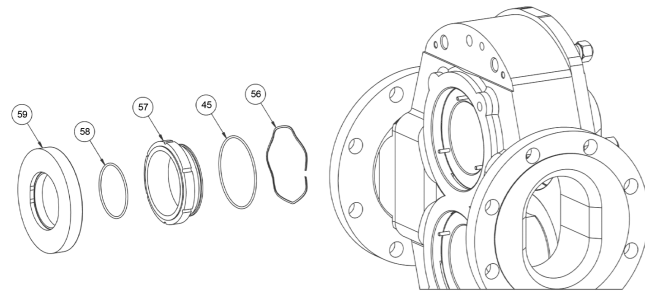
Ref #	Component Item No.	Description	Qty Per
27	P1GX102474	GEAR TO REAR BEARING SPACER - ZP2 210/214/320/324	2
28	P1GXOH1036000	REAR BEARING - ZP2 210/214/320/324	2
29	P1GX102472	BEARING SPACER, THICK - ZP2 210/214/320/324	2
	P1GX102473	BEARING SPACER, THIN - ZP2 210/214/320/324	2
30	P1GX117893	SHIM KIT - ZP2 210/214/320/324	2
31	P1GXOH1036003	FRONT BEARING - ZP2 210/214/320/324	2
32	P1GX000037005	DRIVE KEY, 5/8" SQ. X 2" - ZP1 & ZP2 320/324	1
33	P2SX108417	DRIVE SHAFT (17-4PH) - ZP2 320/324	1
34	P2SX108418	SHORT SHAFT (17-4PH) - ZP2 320/324	1
35	P2SX105421	ROTOR KEY - ZP2 320/324	1
36	P1SXOH1080000	BEARING RETAINER - ZP2 210/214/320/324	2
37	P1GXSTD030002-ND	GREASE SEAL, PTFE, FRONT BEARING RET. - ZP1 & ZP2 320/324	2
	<i>P1GXSTD030002</i>	<i>GREASE SEAL FRONT BEARING RET. - ZP1 & ZP2 320/324</i>	2
38	P1GX30-343	BEARING RETAINER BOLT - 5/16-18 X 1 SHCS (18-8 SS)	8
39	P2BDY320001000	BODY - ZP2 320	1
40	P2GX102438	STOP PIN, SEAL	6
42	P1GXOH1040000	DOWEL PIN, COVER SIDE - ZP2 210/214/320/324	2
44	P1GX130RETSCREW	BODY RETAINING SCREW, 3/8-16 X 4.5" 18-8 SS - ZP2 320/324	2
46	P2RTB320010000	ROTOR TWIN BLADE - ALLOY 88 - ZP2 320/324	2
	<i>P2RTB32001000H</i>	<i>ROTOR TWIN BLADE - ALLOY 88 - ZP2 320/324 - HOT CLEARANCE</i>	2
47	N70237	O-RING, ROTOR NUT (BUNA) - ZP2 210/214/320/324	2
	<i>E70237</i>	<i>O-RING, ROTOR NUT (EPDM) - ZP2 210/214/320/324</i>	2
	<i>V70237</i>	<i>O-RING, ROTOR NUT (VITON) - ZP2 210/214/320/324</i>	2
48	N70125	O-RING, RETAINER (BUNA) - ZP2 210/214/320/324	2
	<i>E70125</i>	<i>O-RING, RETAINER (EPDM) - ZP2 210/214/320/324</i>	2



Exploded View

Optional Items Shown in ITALICS

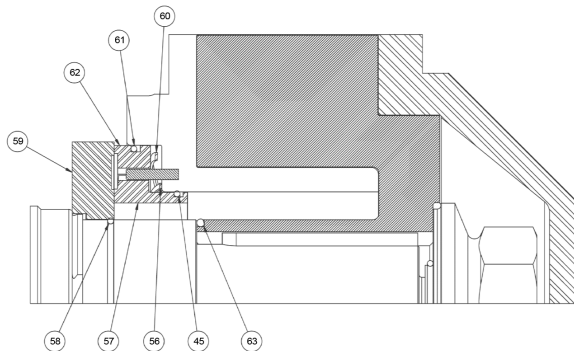
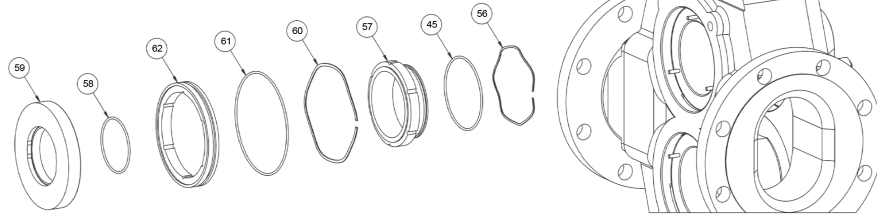
Ref #	Component Item No.	Description	Qty Per
48	V70125	O-RING, RETAINER (VITON) - ZP2 210/214/320/324	2
49	P2GX105411	BELLEVILLE WASHER, SS - ZP2 210/214/320/324	2
50	P2SX105409	ROTOR NUT - ZP2 210/214/320/324	2
51	N70383	O-RING, COVER (BUNA) - ZP2 320/324	1
	<i>E70383</i>	<i>O-RING, COVER (EPDM) - ZP2 320/324</i>	1
	<i>V70383</i>	<i>O-RING, COVER (VITON) - ZP2 320/324</i>	1
52	P2CVR105406	COVER - ZP2 320/324	1
53	P1SX108373	HEX NUT, COVER - ZP2 210/214/320/324	8
	<i>P1GX110858</i>	<i>WING NUT, COVER - ZP2 210/214/320/324</i>	8
55	P1GX30-212	CAPSCRW,HX,10-32X1/2,18-8SS	8
	P1GX30-213	WASHER,210/320,LOCK,10-32	8
	P1SX320SPATE	BEARING RETAINER SPLASH PLATE - ZP1 320/324	2
63	N70232	O-RING, ROTOR HUB (BUNA) - ZP3 210/214/320/324	2
	<i>E70232</i>	<i>O-RING, ROTOR HUB (EPDM) - ZP3 210/214/320/324</i>	2
	<i>V70232</i>	<i>O-RING, ROTOR HUB (VITON) - ZP3 210/214/320/324</i>	2
64	P1SX105426	PLATE, SHIM - ZP2 210/214/320/324	2
65	P2GX30-612	SCREW, SHIM PLATE - ZP2 210/214/320/324	4
900	P1GXAD0096001	PICK,COMBO,O-RING ZP1 ZP2	1
901	P1GX000140003	OIL,460FG,MAGNAPLT,1GAL ZP	1
902	P1GX000140002	GREASE,HALO GUARD,14OZ TUBE ZP	1
903	P1GXRTVSEAL	SILICONE,DOW,732,30Z ZP1 ZP2	1



Single Mechanical Seal

Optional Items Shown in ITALICS

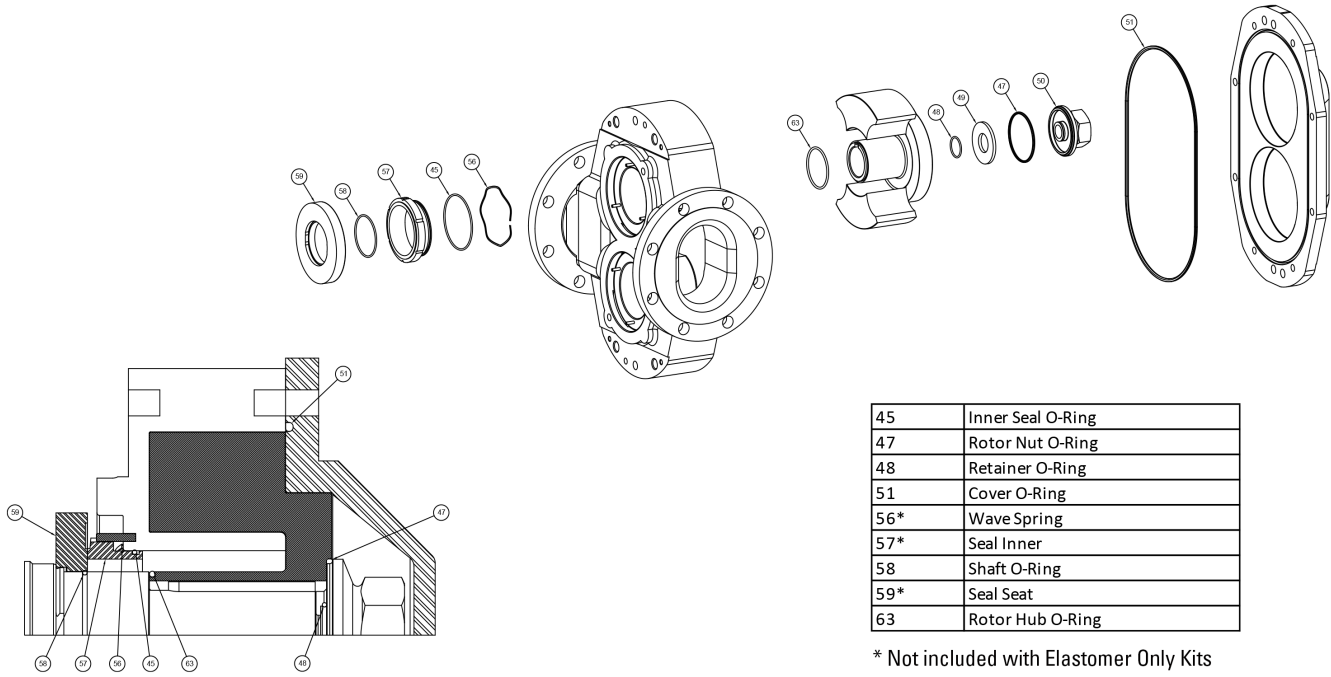
Ref #	Component Item No.	Description	Qty Per
45	N70154	O-RING, INNER SEAL (BUNA) - ZP2 210/214/320/324	2
	<i>E70154</i>	<i>O-RING, INNER SEAL (EPDM) - ZP2 210/214/320/324</i>	2
	<i>V70154</i>	<i>O-RING, INNER SEAL (VITON) - ZP2 210/214/320/324</i>	2
56	P2GS105419	INNER SEAL WAVE SPRING - ZP2 210/214/320/324	2
57	P2GS105413	INNER SEAL (K) - ZP2 210/214/320/324	2
	<i>P2GS105414</i>	<i>INNER SEAL (C) ZP2 210/214/320/324</i>	2
	<i>P2GS105412</i>	<i>INNER SEAL (N) - ZP2 210/214/320/324</i>	2
58	N70149	O-RING, SHAFT (BUNA) - ZP2 210/214/320/324	2
	<i>E70149</i>	<i>O-RING, SHAFT (EPDM) - ZP2 210/214/320/324</i>	2
	<i>V70149</i>	<i>O-RING, SHAFT (VITON) - ZP2 210/214/320/324</i>	2
59	P2GS105417	SEAL SEAT (C) ZP2 210/214/320/324	2
	<i>P2GS105416</i>	<i>SEAL SEAT (K) ZP2 210/214/320/324</i>	2
63	N70232	O-RING, ROTOR HUB (BUNA) - ZP2 210/214/320/324	2
	<i>E70232</i>	<i>O-RING, ROTOR HUB (EPDM) - ZP2 210/214/320/324</i>	2
	<i>V70232</i>	<i>O-RING, ROTOR HUB (VITON) - ZP2 210/214/320/324</i>	2



Double Mechanical Seal

Optional Items Shown in ITALICS

Ref #	Component Item No.	Description	Qty Per
45	N70154	O-RING, INNER SEAL (BUNA) - ZP2 210/214/320/324	2
	<i>E70154</i>	<i>O-RING, INNER SEAL (EPDM) - ZP2 210/214/320/324</i>	2
	<i>V70154</i>	<i>O-RING, INNER SEAL (VITON) - ZP2 210/214/320/324</i>	2
56	P2GS105419	INNER SEAL WAVE SPRING - ZP2 210/214/320/324	2
57	P2GS105413	INNER SEAL (K) - ZP2 210/214/320/324	2
	<i>P2GS105414</i>	<i>INNER SEAL (C) ZP2 210/214/320/324</i>	2
	<i>P2GS105412</i>	<i>INNER SEAL (N) - ZP2 210/214/320/324</i>	2
58	N70149	O-RING, SHAFT (BUNA) - ZP2 210/214/320/324	2
	<i>E70149</i>	<i>O-RING, SHAFT (EPDM) - ZP2 210/214/320/324</i>	2
	<i>V70149</i>	<i>O-RING, SHAFT (VITON) - ZP2 210/214/320/324</i>	2
59	P2GS105417	SEAL SEAT (C) ZP2 210/214/320/324	2
	<i>P2GS105416</i>	<i>SEAL SEAT (K) ZP2 210/214/320/324</i>	2
60	P2GS105420	OUTER SEAL WAVE SPRING - ZP2 210/214/320/324	2
61	N70160	O-RING, OUTER SEAL (BUNA) - ZP2 210/214/320/324	2
	<i>E70160</i>	<i>O-RING, OUTER SEAL (EPDM) - ZP2 210/214/320/324</i>	2
	<i>V70160</i>	<i>O-RING, OUTER SEAL (VITON) - ZP2 210/214/320/324</i>	2
62	P2GS105418	OUTER SEAL (N) ZP2 210/214/320/324	2
63	N70232	O-RING, ROTOR HUB (BUNA) - ZP2 210/214/320/324	2
	<i>E70232</i>	<i>O-RING, ROTOR HUB (EPDM) - ZP2 210/214/320/324</i>	2
	<i>V70232</i>	<i>O-RING, ROTOR HUB (VITON) - ZP2 210/214/320/324</i>	2



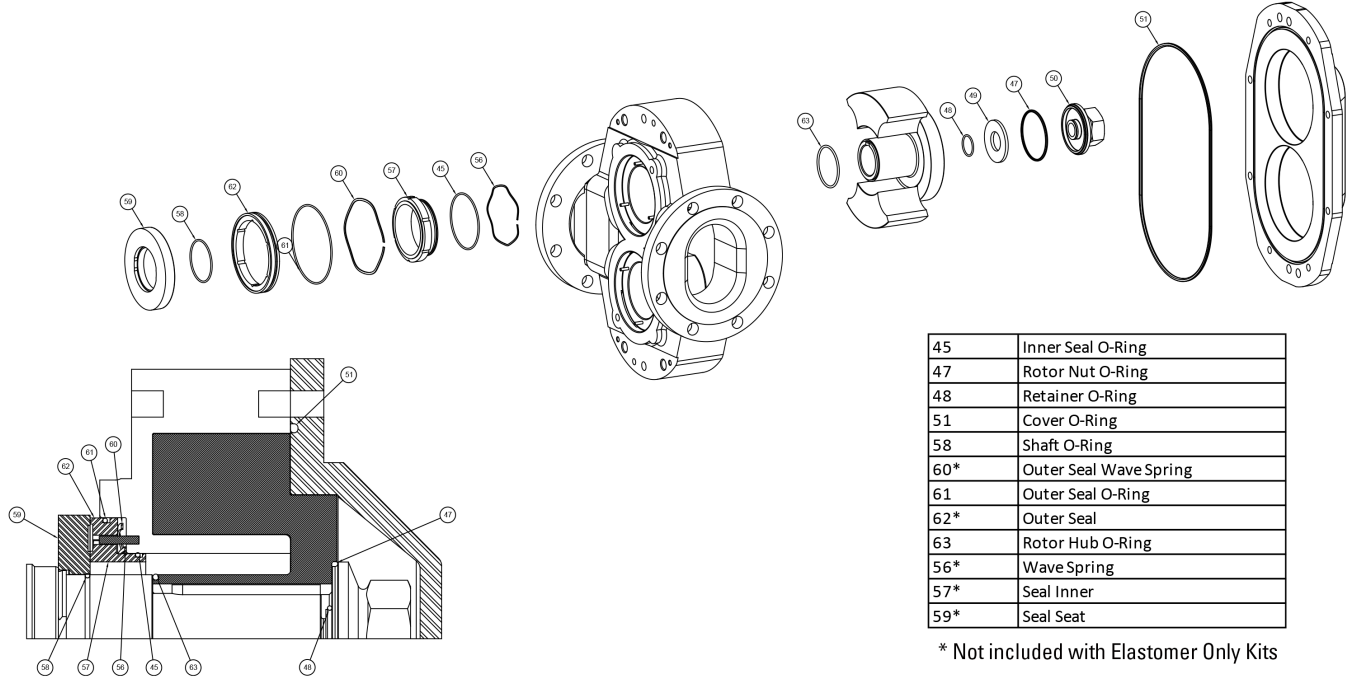
45	Inner Seal O-Ring
47	Rotor Nut O-Ring
48	Retainer O-Ring
51	Cover O-Ring
56*	Wave Spring
57*	Seal Inner
58	Shaft O-Ring
59*	Seal Seat
63	Rotor Hub O-Ring

* Not included with Elastomer Only Kits

Single Mechanical Seal Kit

Optional Items Shown in ITALICS

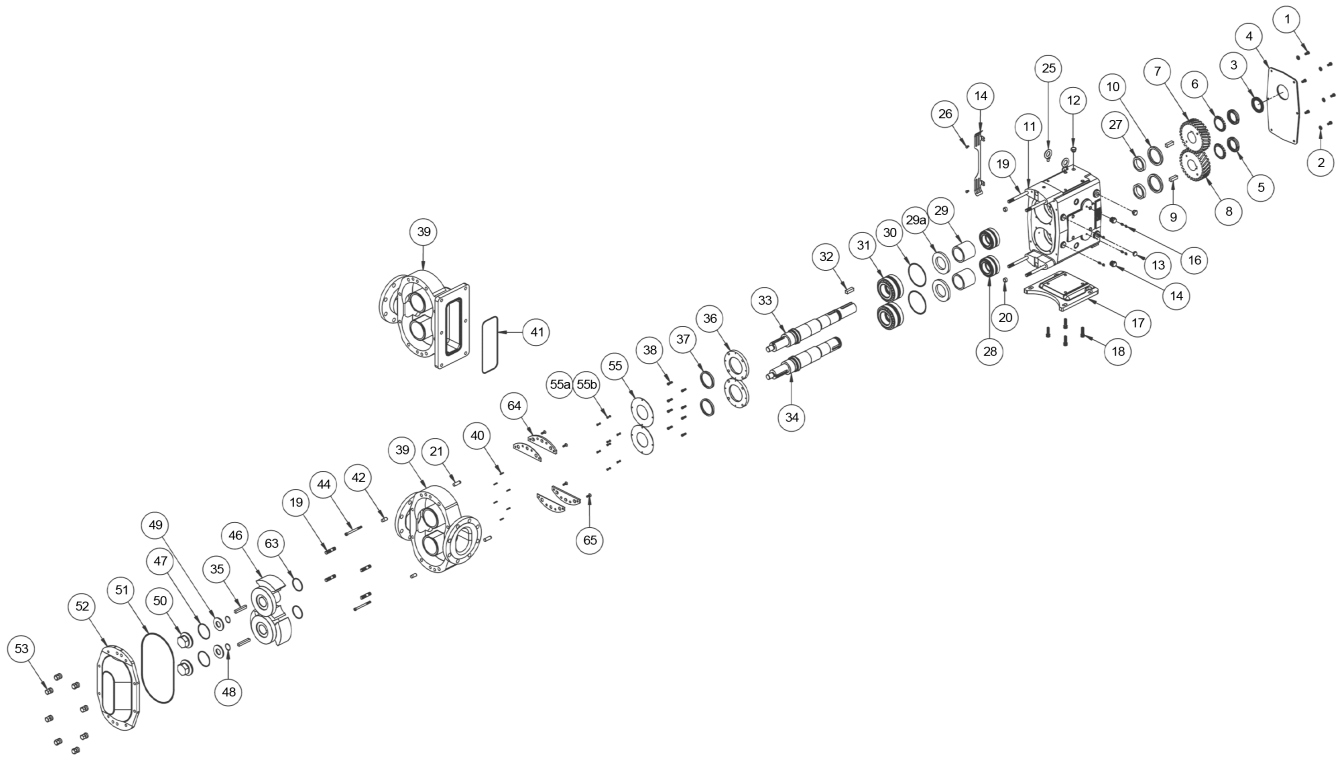
Ref #	Component Item No.	Description	Qty Per
1	P2GX320000-N	SEAL KIT, SGL MECH, ELASTOMERS ONLY, BUNA - ZP2 320/324	1
	<i>P2GX320000-E</i>	<i>SEAL KIT, SGL MECH, ELASTOMERS ONLY, EPDM - ZP2 320/324</i>	<i>1</i>
	<i>P2GX320000-V</i>	<i>SEAL KIT, SGL MECH, ELASTOMERS ONLY, VITON - ZP2 320/324</i>	<i>1</i>
2	P2GS320000-N	SEAL KIT, SGL MECH, SC/CA, BUNA - ZP2 320/324	1
	<i>P2GS320000-E</i>	<i>SEAL KIT, SGL MECH, SC/CA, EPDM - ZP2 320/324</i>	<i>1</i>
	<i>P2GS320000-V</i>	<i>SEAL KIT, SGL MECH, SC/CA, VITON - ZP2 320/324</i>	<i>1</i>
3	P2GS320020-N	SEAL KIT, SGL MECH, CE/CA, BUNA - ZP2 320/324	1
	<i>P2GS320020-E</i>	<i>SEAL KIT, SGL MECH, CE/CA, EPDM - ZP2 320/324</i>	<i>1</i>
	<i>P2GS320020-V</i>	<i>SEAL KIT, SGL MECH, CE/CA, VITON - ZP2 320/324</i>	<i>1</i>
5	P2GS320010-N	SEAL KIT, SGL MECH, SC/SC, BUNA - ZP2 320/324	1
	<i>P2GS320010-E</i>	<i>SEAL KIT, SGL MECH, SC/SC, EPDM - ZP2 320/324</i>	<i>1</i>
	<i>P2GS320010-V</i>	<i>SEAL KIT, SGL MECH, SC/SC, VITON - ZP2 320/324</i>	<i>1</i>
49	P2GX105411	BELLEVILLE WASHER, SS - ZP2 210/214/320/324	2
50	P2SX105409	ROTOR NUT - ZP2 210/214/320/324	2



Double Mechanical Seal Kit

Optional Items Shown in ITALICS

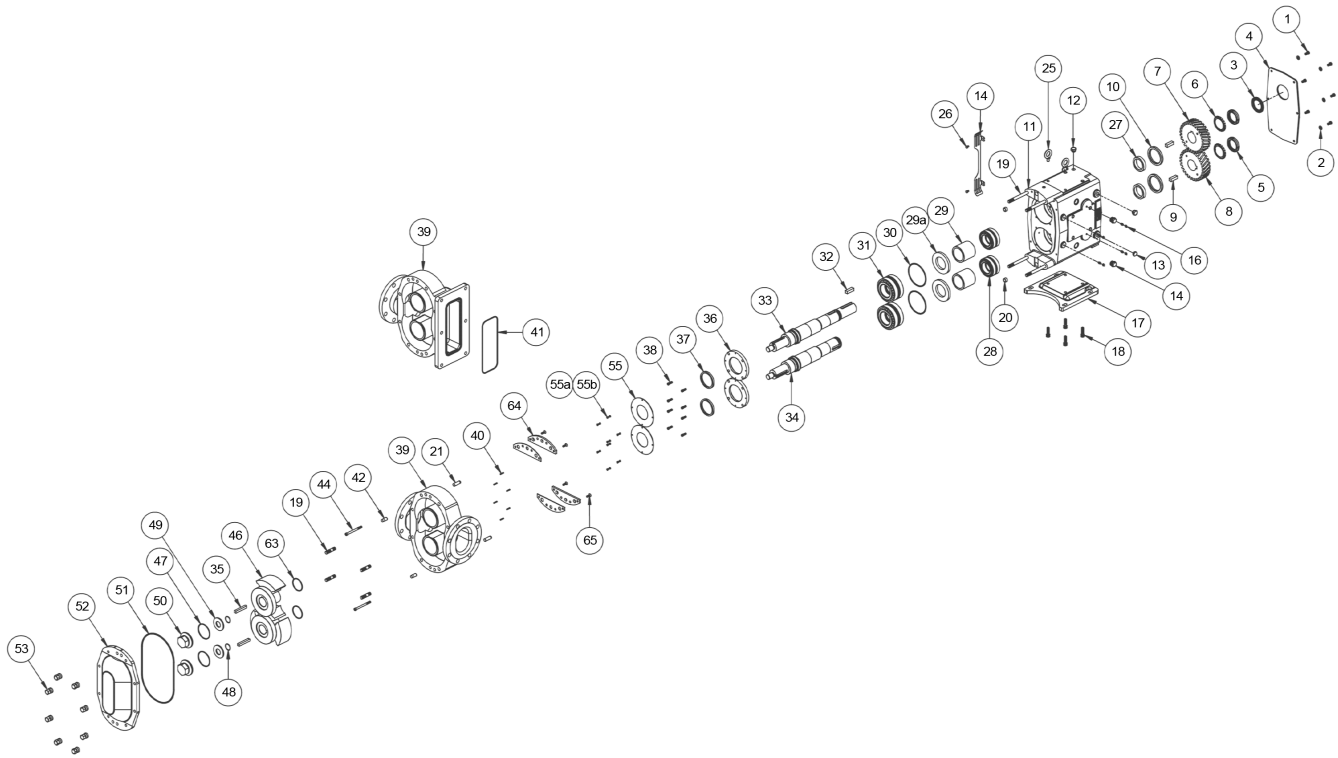
Ref #	Component Item No.	Description	Qty Per
1	P2GX320200-N	SEAL KIT, DBL MECH, ELASTOMERS ONLY, BUNA - ZP2 320/324	1
	<i>P2GX320200-E</i>	<i>SEAL KIT, DBL MECH, ELASTOMERS ONLY, EPDM - ZP2 320/324</i>	<i>1</i>
	<i>P2GX320200-V</i>	<i>SEAL KIT, DBL MECH, ELASTOMERS ONLY, VITON - ZP2 320/324</i>	<i>1</i>
2	P2GS320200-N	SEAL KIT, DBL MECH, SC/CA/CA, BUNA - ZP2 320/324	1
	<i>P2GS320200-E</i>	<i>SEAL KIT, DBL MECH, SC/CA/CA, EPDM - ZP2 320/324</i>	<i>1</i>
	<i>P2GS320200-V</i>	<i>SEAL KIT, DBL MECH, SC/CA/CA, VITON - ZP2 320/324</i>	<i>1</i>
3	P2GS320220-N	SEAL KIT, DBL MECH, CE/CA/CA, BUNA - ZP2 320/324	1
	<i>P2GS320220-E</i>	<i>SEAL KIT, DBL MECH, CE/CA/CA, EPDM - ZP2 320/324</i>	<i>1</i>
	<i>P2GS320220-V</i>	<i>SEAL KIT, DBL MECH, CE/CA/CA, VITON - ZP2 320/324</i>	<i>1</i>
5	P2GS320210-N	SEAL KIT, DBL MECH, SC/SC/CA, BUNA - ZP2 320/324	1
	<i>P2GS320210-E</i>	<i>SEAL KIT, DBL MECH, SC/SC/CA, EPDM - ZP2 320/324</i>	<i>1</i>
	<i>P2GS320210-V</i>	<i>SEAL KIT, DBL MECH, SC/SC/CA, VITON - ZP2 320/324</i>	<i>1</i>
49	P2GX105411	BELLEVILLE WASHER, SS - ZP2 210/214/320/324	2
50	P2SX105409	ROTOR NUT - ZP2 210/214/320/324	2



Exploded View

Optional Items Shown in ITALICS

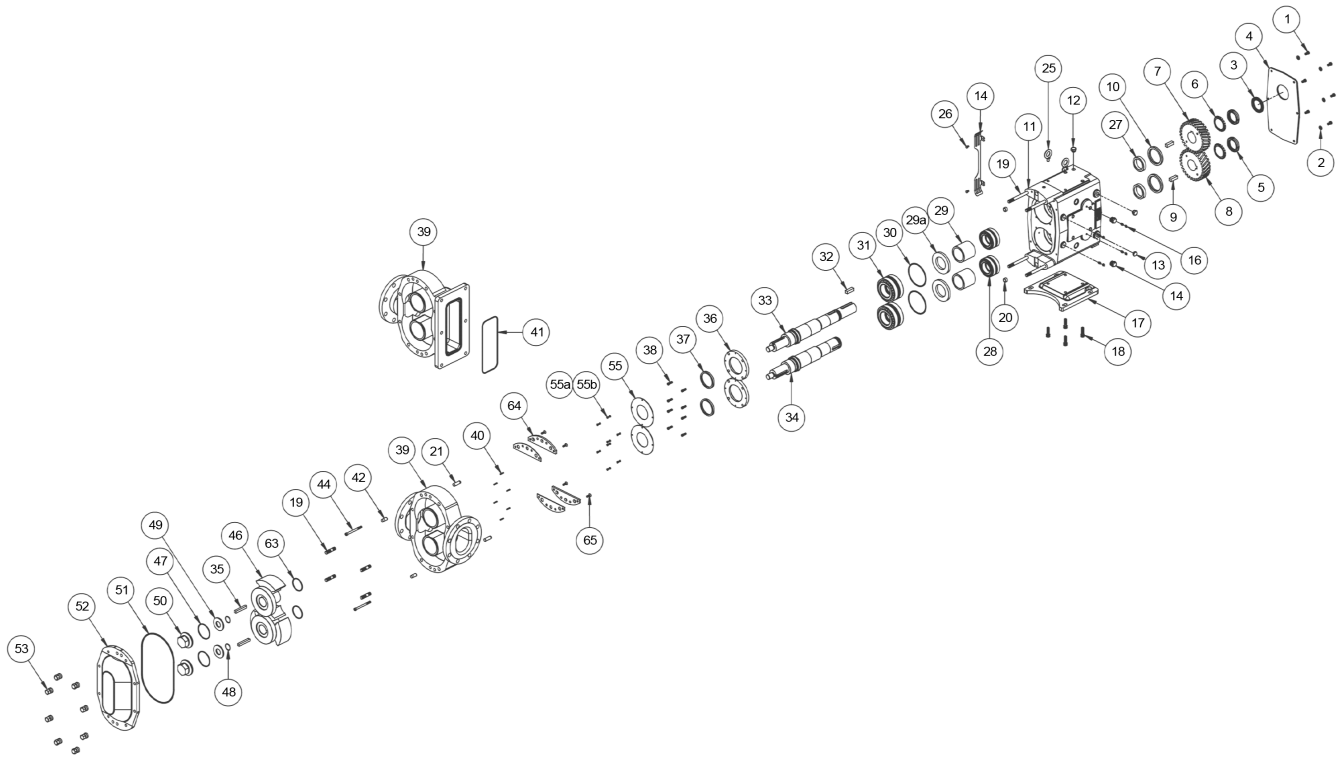
Ref #	Component Item No.	Description	Qty Per
1	P1GX30-50	GEAR CASE COVER BOLT - 3/8-16 X 3/4 HHCS (18-8 SS)	6
2	P1GX43-189	GEAR CASE COVER WASHER - 3/8 FLAT WASHER (18-8 SS)	6
3	P1GXSTD030004-ND	OIL SEAL, PTFE, GEAR CASE COVER - ZP2 210/214/320/324	1
	<i>P1GXSTD030004</i>	<i>OIL SEAL, GEAR CASE COVER - ZP2 210/214/320/324</i>	<i>1</i>
4	P1SX40669	GEAR CASE COVER, SS - ZP2 210/214/320/324	1
5	P1GXOH1236000	GEAR LOCKNUT - ZP2 210/214/320/324	2
6	P1GXOH1136000	GEAR LOCKWASHER - ZP2 210/214/320/324	2
7	P1GX320007001	GEAR DRIVE SHAFT - ZP2 210/214/320/324	1
8	P1GX320007002	GEAR SHORT SHAFT - ZP2 210/214/320/324	1
9	P1GXOH1037000	GEAR KEY - ZP2 210/214/320/324	2
10	P1GX102475	OIL SEAL REAR - ZP2 210/214/320/324	2
11	P2SX105478	GEAR CASE, SS - ZP2 & ZP3 210/214/320/324	1
12	P1GX115798	PLUG,HEX,20M X1.5,W/NBR SEAL	5
13	P1GX115799	GAUGE,OIL,LVL,INDIC,M-20X1.5	1
14	P1GX70PLUG-SS	CLEAN OUT PLUG, SS - ZP1 & ZP2 45/60/64/130/134	4
	<i>P1GX70PLUG</i>	<i>CLEAN OUT PLUG, YELLOW - ZP1 & ZP2 45/60/64/130/134</i>	<i>4</i>
16	P1GXBD0092001	GREASE FITTING, THREADED 1/4"-28 TAPER, SS	8
17	P1SX40288	GEAR CASE BASE, SS - ZP2 210/214/320/324	1
18	P1GX30-250	SHCS, G. CASE BASE, (18-8 SS) 1/2-13 X 1.75" ZP2 210/214/320/324	4
19	P1GX111291	STUD, LONG, ZP2 320/324	4
	P1GX111292	STUD, SHORT, ZP2 320/324	4
20	P1GX105871	DOWEL PIN, GEAR BOX SIDE - ZP3 210/214/320/324	2
	P1GXOH1116000	DOWEL BUSHING - ZP3 210/214/320/324	2
24	P2SX320CEGUARD	GUARD,210/214/320/324,(CE),GC,SS	2
25	P1GXKEYBOLT-SS	EYE BOLT,60-224,SS	3
26	P1GX000CENAIL	DRIVENAIL,ZP,GEAR CASE GUARDS	4



Exploded View

Optional Items Shown in ITALICS

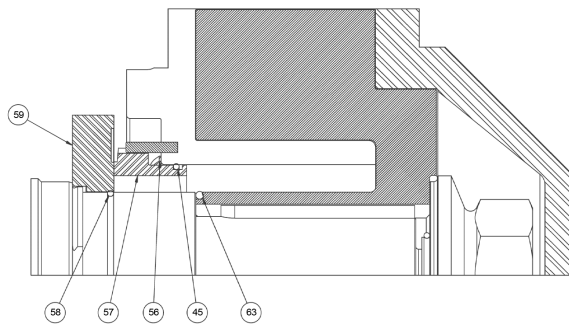
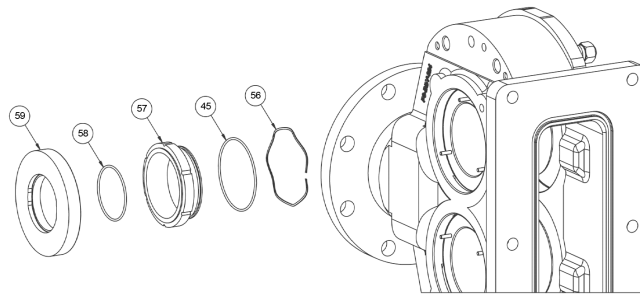
Ref #	Component Item No.	Description	Qty Per
27	P1GX102474	GEAR TO REAR BEARING SPACER - ZP2 210/214/320/324	2
28	P1GXOH1036000	REAR BEARING - ZP2 210/214/320/324	2
29	P1GX102472	BEARING SPACER, THICK - ZP2 210/214/320/324	2
	P1GX102473	BEARING SPACER, THIN - ZP2 210/214/320/324	2
30	P1GX117893	SHIM KIT - ZP2 210/214/320/324	2
31	P1GXOH1036003	FRONT BEARING - ZP2 210/214/320/324	2
32	P1GX000037005	DRIVE KEY, 5/8" SQ. X 2" - ZP1 & ZP2 320/324	1
33	P2SX108417	DRIVE SHAFT (17-4PH) - ZP2 320/324	1
34	P2SX108418	SHORT SHAFT (17-4PH) - ZP2 320/324	1
35	P2SX105421	ROTOR KEY - ZP2 320/324	1
36	P1SXOH1080000	BEARING RETAINER - ZP2 210/214/320/324	2
37	P1GXSTD030002-ND	GREASE SEAL, PTFE, FRONT BEARING RET. - ZP1 & ZP2 320/324	2
	<i>P1GXSTD030002</i>	<i>GREASE SEAL FRONT BEARING RET. - ZP1 & ZP2 320/324</i>	2
38	P1GX30-343	BEARING RETAINER BOLT - 5/16-18 X 1 SHCS (18-8 SS)	8
39	P2BDY324001000	BODY - ZP2 324	1
40	P2GX102438	STOP PIN, SEAL	6
41	N70378	O-RING, RECTANGULAR FLANGE (BUNA) - ZP2 324	1
	<i>E70378</i>	<i>O-RING, RECTANGULAR FLANGE (EPDM) - ZP2 324</i>	1
	<i>V70378</i>	<i>O-RING, RECTANGULAR FLANGE (VITON) - ZP2 324</i>	1
42	P1GXOH1040000	DOWEL PIN, COVER SIDE - ZP2 210/214/320/324	2
44	P1GX30-499	BODY RETAINING SCREW, 3/8-16 X 4.5" 18-8 SS - ZP2 320/324	2
46	P2RTB320010000	ROTOR TWIN BLADE - ALLOY 88 - ZP2 320/324	2
	<i>P2RTB32001000H</i>	<i>ROTOR TWIN BLADE - ALLOY 88 - ZP2 320/324 - HOT CLEARANCE</i>	2
47	N70237	O-RING, ROTOR NUT (BUNA) - ZP2 210/214/320/324	2
	<i>E70237</i>	<i>O-RING, ROTOR NUT (EPDM) - ZP2 210/214/320/324</i>	2
	<i>V70237</i>	<i>O-RING, ROTOR NUT (VITON) - ZP2 210/214/320/324</i>	2



Exploded View

Optional Items Shown in ITALICS

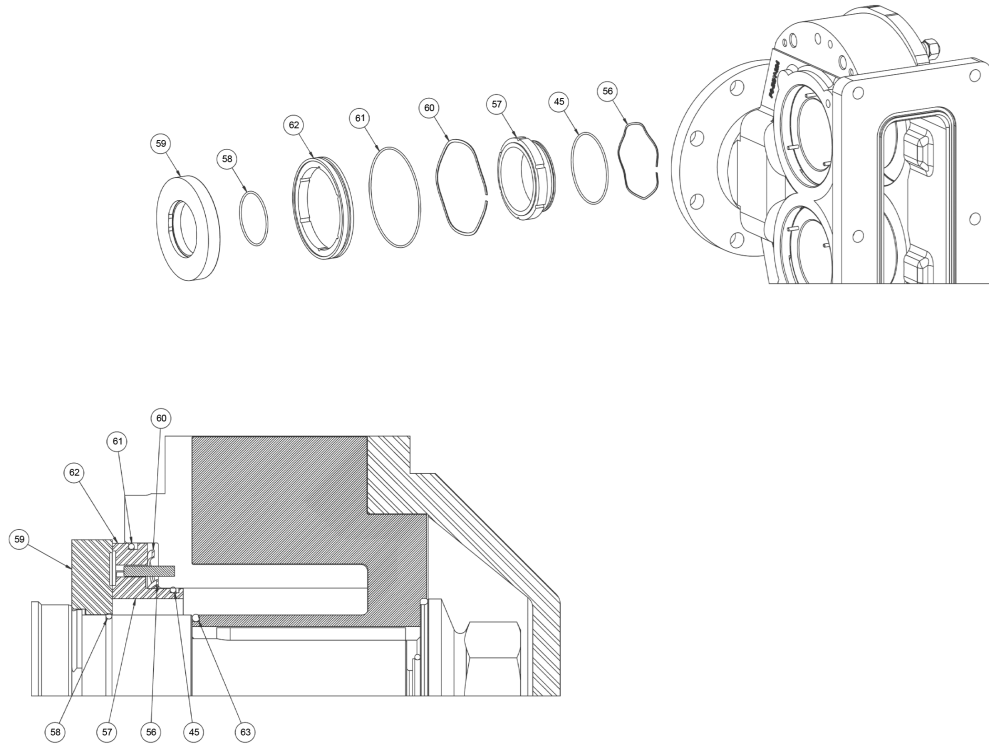
Ref #	Component Item No.	Description	Qty Per
48	N70125	O-RING, RETAINER (BUNA) - ZP2 210/214/320/324	2
	<i>E70125</i>	<i>O-RING, RETAINER (EPDM) - ZP2 210/214/320/324</i>	2
	<i>V70125</i>	<i>O-RING, RETAINER (VITON) - ZP2 210/214/320/324</i>	2
49	P2GX105411	BELLEVILLE WASHER, SS - ZP2 210/214/320/324	2
50	P2SX105409	ROTOR NUT - ZP2 210/214/320/324	2
51	N70383	O-RING, COVER (BUNA) - ZP2 320/324	1
	<i>E70383</i>	<i>O-RING, COVER (EPDM) - ZP2 320/324</i>	1
	<i>V70383</i>	<i>O-RING, COVER (VITON) - ZP2 320/324</i>	1
52	P2CVR112864	COVER - ZP2 210/214	1
53	P1SX108373	HEX NUT, COVER - ZP2 210/214/320/324	8
	<i>P1GX110858</i>	<i>WING NUT, COVER - ZP2 210/214/320/324</i>	8
55	P1GX30-212	CAPSCRW,HX,10-32X1/2,18-8SS	8
	P1GX30-213	WASHER,210/320,LOCK,10-32	8
	P1SX320SPATE	BEARING RETAINER SPLASH PLATE - ZP1 320/324	2
63	N70232	O-RING, ROTOR HUB (BUNA) - ZP2 210/214/320/324	2
	<i>E70232</i>	<i>O-RING, ROTOR HUB (EPDM) - ZP2 210/214/320/324</i>	2
	<i>V70232</i>	<i>O-RING, ROTOR HUB (VITON) - ZP2 210/214/320/324</i>	2
64	P1SX105426	PLATE, SHIM - ZP2 210/214/320/324	2
65	P2GX30-612	SCREW, SHIM PLATE - ZP2 210/214/320/324	4
900	P1GXAD0096001	PICK,COMBO,O-RING ZP1 ZP2	1
901	P1GX000140003	OIL,460FG,MAGNAPLT,1GAL ZP	1
902	P1GX000140002	GREASE,HALO GUARD,14OZ TUBE ZP	1
903	P1GXRTVSEAL	SILICONE,DOW,732,30Z ZP1 ZP2	1



Single Mechanical Seal

Optional Items Shown in ITALICS

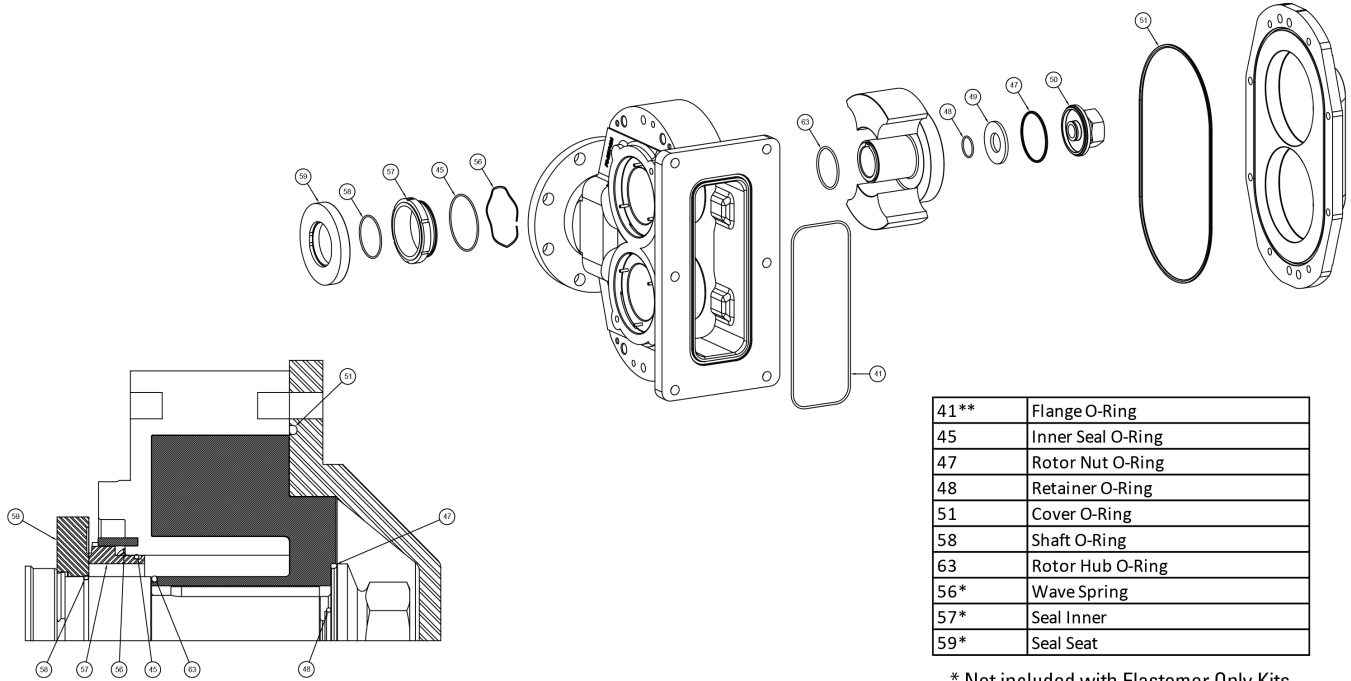
Ref #	Component Item No.	Description	Qty Per
45	N70154	O-RING, INNER SEAL (BUNA) - ZP2 210/214/320/324	2
	<i>E70154</i>	<i>O-RING, INNER SEAL (EPDM) - ZP2 210/214/320/324</i>	2
	<i>V70154</i>	<i>O-RING, INNER SEAL (VITON) - ZP2 210/214/320/324</i>	2
56	P2GS105419	INNER SEAL WAVE SPRING - ZP2 210/214/320/324	2
57	P2GS105413	INNER SEAL (K) - ZP2 210/214/320/324	2
	<i>P2GS105414</i>	<i>INNER SEAL (C) ZP2 210/214/320/324</i>	2
	<i>P2GS105412</i>	<i>INNER SEAL (N) - ZP2 210/214/320/324</i>	2
58	N70149	O-RING, SHAFT (BUNA) - ZP2 210/214/320/324	2
	<i>E70149</i>	<i>O-RING, SHAFT (EPDM) - ZP2 210/214/320/324</i>	2
	<i>V70149</i>	<i>O-RING, SHAFT (VITON) - ZP2 210/214/320/324</i>	2
59	P2GS105417	SEAL SEAT (C) ZP2 210/214/320/324	2
	<i>P2GS105416</i>	<i>SEAL SEAT (K) ZP2 210/214/320/324</i>	2
63	N70232	O-RING, ROTOR HUB (BUNA) - ZP2 210/214/320/324	2
	<i>E70232</i>	<i>O-RING, ROTOR HUB (EPDM) - ZP2 210/214/320/324</i>	2
	<i>V70232</i>	<i>O-RING, ROTOR HUB (VITON) - ZP2 210/214/320/324</i>	2



Double Mechanical Seal

Optional Items Shown in ITALICS

Ref #	Component Item No.	Description	Qty Per
45	N70154	O-RING, INNER SEAL (BUNA) - ZP2 210/214/320/324	2
	<i>E70154</i>	<i>O-RING, INNER SEAL (EPDM) - ZP2 210/214/320/324</i>	2
	<i>V70154</i>	<i>O-RING, INNER SEAL (VITON) - ZP2 210/214/320/324</i>	2
56	P2GS105419	INNER SEAL WAVE SPRING - ZP2 210/214/320/324	2
57	P2GS105413	INNER SEAL (K) - ZP2 210/214/320/324	2
	<i>P2GS105414</i>	<i>INNER SEAL (C) ZP2 210/214/320/324</i>	2
	<i>P2GS105412</i>	<i>INNER SEAL (N) - ZP2 210/214/320/324</i>	2
58	N70149	O-RING, SHAFT (BUNA) - ZP2 210/214/320/324	2
	<i>E70149</i>	<i>O-RING, SHAFT (EPDM) - ZP2 210/214/320/324</i>	2
	<i>V70149</i>	<i>O-RING, SHAFT (VITON) - ZP2 210/214/320/324</i>	2
59	P2GS105417	SEAL SEAT (C) ZP2 210/214/320/324	2
	<i>P2GS105416</i>	<i>SEAL SEAT (K) ZP2 210/214/320/324</i>	2
60	P2GS105420	OUTER SEAL WAVE SPRING - ZP2 210/214/320/324	2
61	N70160	O-RING, OUTER SEAL (BUNA) - ZP2 210/214/320/324	2
	<i>E70160</i>	<i>O-RING, OUTER SEAL (EPDM) - ZP2 210/214/320/324</i>	2
	<i>V70160</i>	<i>O-RING, OUTER SEAL (VITON) - ZP2 210/214/320/324</i>	2
62	P2GS105418	OUTER SEAL (N) ZP2 210/214/320/324	2
63	N70232	O-RING, ROTOR HUB (BUNA) - ZP2 210/214/320/324	2
	<i>E70232</i>	<i>O-RING, ROTOR HUB (EPDM) - ZP2 210/214/320/324</i>	2
	<i>V70232</i>	<i>O-RING, ROTOR HUB (VITON) - ZP2 210/214/320/324</i>	2

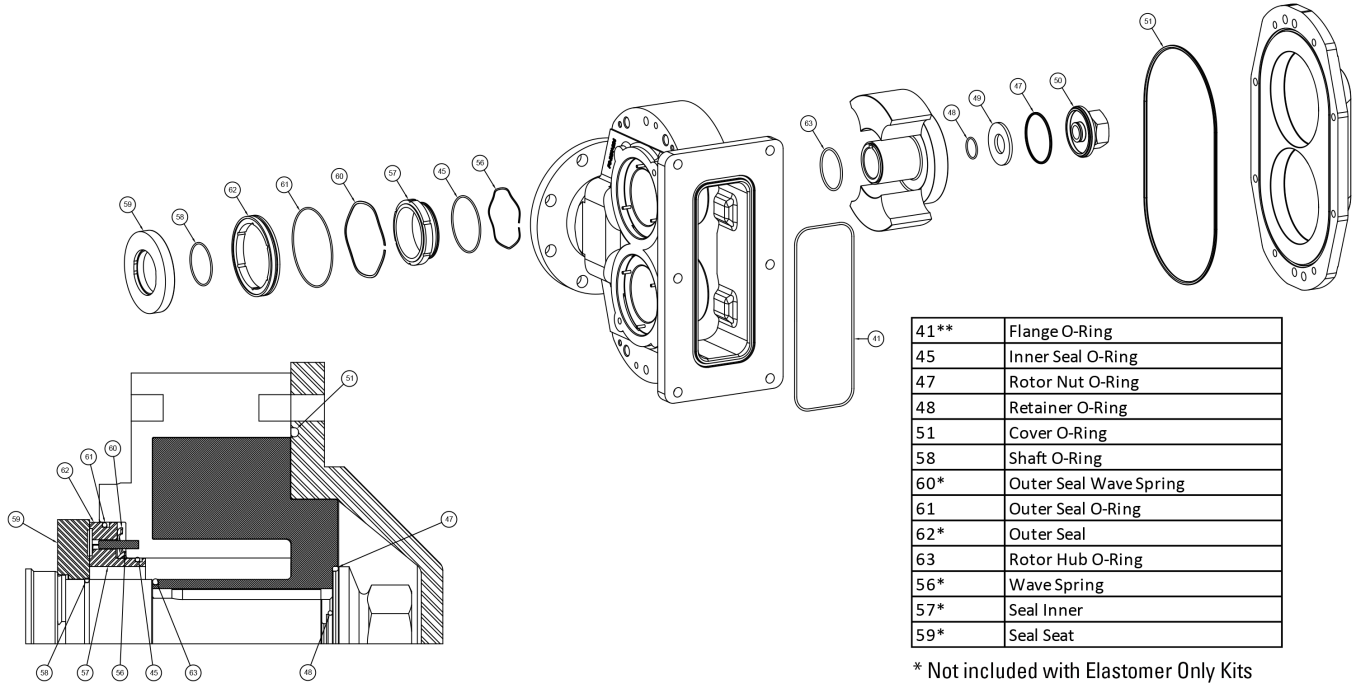


* Not included with Elastomer Only Kits
** Sold Separately

Single Mechanical Seal Kit

Optional Items Shown in ITALICS

Ref #	Component Item No.	Description	Qty Per
1	P2GX320000-N	SEAL KIT, SGL MECH, ELASTOMERS ONLY, BUNA - ZP2 320/324	1
	<i>P2GX320000-E</i>	<i>SEAL KIT, SGL MECH, ELASTOMERS ONLY, EPDM - ZP2 320/324</i>	<i>1</i>
	<i>P2GX320000-V</i>	<i>SEAL KIT, SGL MECH, ELASTOMERS ONLY, VITON - ZP2 320/324</i>	<i>1</i>
2	P2GS320000-N	SEAL KIT, SGL MECH, SC/CA, BUNA - ZP2 320/324	1
	<i>P2GS320000-E</i>	<i>SEAL KIT, SGL MECH, SC/CA, EPDM - ZP2 320/324</i>	<i>1</i>
	<i>P2GS320000-V</i>	<i>SEAL KIT, SGL MECH, SC/CA, VITON - ZP2 320/324</i>	<i>1</i>
3	P2GS320020-N	SEAL KIT, SGL MECH, CE/CA, BUNA - ZP2 320/324	1
	<i>P2GS320020-E</i>	<i>SEAL KIT, SGL MECH, CE/CA, EPDM - ZP2 320/324</i>	<i>1</i>
	<i>P2GS320020-V</i>	<i>SEAL KIT, SGL MECH, CE/CA, VITON - ZP2 320/324</i>	<i>1</i>
5	P2GS320010-N	SEAL KIT, SGL MECH, SC/SC, BUNA - ZP2 320/324	1
	<i>P2GS320010-E</i>	<i>SEAL KIT, SGL MECH, SC/SC, EPDM - ZP2 320/324</i>	<i>1</i>
	<i>P2GS320010-V</i>	<i>SEAL KIT, SGL MECH, SC/SC, VITON - ZP2 320/324</i>	<i>1</i>
49	P2GX105411	BELLEVILLE WASHER, SS - ZP2 210/214/320/324	2
50	P2SX105409	ROTOR NUT - ZP2 210/214/320/324	2



Double Mechanical Seal Kit

Optional Items Shown in ITALICS

Ref #	Component Item No.	Description	Qty Per
1	P2GX320200-N	SEAL KIT, SGL MECH, ELASTOMERS ONLY, BUNA - ZP2 320/324	1
	<i>P2GX320200-E</i>	<i>SEAL KIT, SGL MECH, ELASTOMERS ONLY, EPDM - ZP2 320/324</i>	<i>1</i>
	<i>P2GX320200-V</i>	<i>SEAL KIT, SGL MECH, ELASTOMERS ONLY, VITON - ZP2 320/324</i>	<i>1</i>
2	P2GS320200-N	SEAL KIT, DBL MECH, SC/CA/CA, BUNA - ZP2 320/324	1
	<i>P2GS320200-E</i>	<i>SEAL KIT, DBL MECH, SC/CA/CA, EPDM - ZP2 320/324</i>	<i>1</i>
	<i>P2GS320200-V</i>	<i>SEAL KIT, DBL MECH, SC/CA/CA, VITON - ZP2 320/324</i>	<i>1</i>
3	P2GS320220-N	SEAL KIT, DBL MECH, CE/CA/CA, BUNA - ZP2 320/324	1
	<i>P2GS320220-E</i>	<i>SEAL KIT, DBL MECH, CE/CA/CA, EPDM - ZP2 320/324</i>	<i>1</i>
	<i>P2GS320220-V</i>	<i>SEAL KIT, DBL MECH, CE/CA/CA, VITON - ZP2 320/324</i>	<i>1</i>
5	P2GS320210-N	SEAL KIT, DBL MECH, SC/SC/CA, BUNA - ZP2 320/324	1
	<i>P2GS320210-E</i>	<i>SEAL KIT, DBL MECH, SC/SC/CA, EPDM - ZP2 320/324</i>	<i>1</i>
	<i>P2GS320210-V</i>	<i>SEAL KIT, DBL MECH, SC/SC/CA, VITON - ZP2 320/324</i>	<i>1</i>
49	P2GX105411	BELLEVILLE WASHER, SS - ZP2 210/214/320/324	2
50	P2SX105409	ROTOR NUT - ZP2 210/214/320/324	2

AMPCO PUMPS
Made of SELECTED corrosion-resistant alloys

TERMS AND CONDITIONS OF SALE

- 1. ENTIRE AGREEMENT.** This document contains all of the terms and conditions of the agreement (“the agreement”) between Ampco Pumps Company, Inc. (“Seller”) and the purchaser (“Purchaser”) of the Products (“Products”) to be sold to Purchaser, to the exclusion of any other statements and agreements, and to the exclusion of any terms and conditions incorporated in Purchaser’s order or other documents of Purchaser. Seller’s acceptance of Purchaser’s order is expressly conditioned on Purchaser’s acceptance of the terms and conditions contained herein, and Purchaser, upon placing an order, is presumed to have accepted all the terms and conditions without modification. No alteration, waiver, modification of or addition to the terms and conditions herein shall be binding on Seller unless set forth in writing and specifically agreed to by an officer of Seller. No course of dealing, usage of trade or course of performance will be relevant to supplement or explain any terms used in the agreement. All offers to purchase, quotations and contracts of sale are subject to final acceptance by Seller at its home office at Milwaukee, Wisconsin.
- 2. PRICES.** Prices for Products manufactured by Seller pursuant to written accepted orders will remain firm for thirty (30) days from the date of any subsequent price change.
- 3. TERMS OF PAYMENT.** Standard terms are 1/2% 10 days, 30 days net, from date of invoice unless otherwise stated. If, in the judgment of Seller, the financial condition of Purchaser at any time does not justify continuance of production or shipment on the terms of payment specified, Seller may require full or partial payment in advance. In cases of delays in payment, Seller reserves the right to charge interest on delinquent balances at the rate of 1 1/2% per month.
- 4. DELIVERY.** Except as otherwise provided expressly stated in the agreement, Products are sold F.O.B. Milwaukee. Seller will use reasonable commercial efforts to fill orders within the time stated, but the stated delivery date is approximate only, and Seller reserves the right to readjust shipment schedules without liability. Acceptance by Purchaser of the Products waives any claim for loss or damage resulting from a delay, regardless of the cause of the delay. Except as otherwise provided herein, Seller will not be responsible for freight, transportation, insurance, shipping, storage, handling, demurrage or similar charges. Claims by Purchaser for shortages in the Products must be made to Seller in writing within ten (10) days after date of receipt of the Products. No such shortage shall entitle Purchaser to withhold payment for Products which were received by Purchaser. Each such claim shall set forth in detail the basis and amount of such claim.
- 5. TAXES AND FEES.** Seller shall pay all present and future sales, excise, privilege, use or other taxes, customs duties, and all other fees or other costs, imposed by any federal, state, foreign, or local authorities arising from the sale, purchase, transportation, delivery, storage, use or consumption of the Products or will, if applicable, provide Seller with an appropriate exemption certificate. Seller shall be under no obligation to contest the validity of any such taxes or to prosecute any claims for refunds or returns.
- 6. INSTALLATION.** The Products shall be installed by and at the expense of Purchaser.
- 7. LOSS, DAMAGE OR DELAY.** Seller will not be liable for loss, damage or delay resulting from causes beyond its reasonable control, including, without limitation, strikes or labor difficulties, lockouts, acts or omissions of any governmental authority or Seller, insurrection or riot, war, fires, floods, Acts of God, breakdown of essential machinery, accidents, embargoes, cargo or material shortages, delays in transportation, lack of production capacity or inability to obtain labor, materials or parts from usual sources. In the event of any such delay, performance will be postponed by such length of time as may be reasonably necessary to compensate for the delay. In the event performance by Seller under the agreement cannot be accomplished by Seller due to any of the foregoing causes within a reasonable period of time, Seller may, at its option, terminate the agreement without liability.
- 8. RETURNS.** No Products or parts may be returned by Purchaser without the prior written consent of Seller.
- 9. WARRANTY.** Seller warrants that the Products manufactured by Seller will be free from defects, material and workmanship under normal use and service for a period of one (1) year from date of shipment. In addition, the specified rating of each pump is warranted; however, the characteristic shape of the performance curves may vary from the published standards, and the capacity, head and efficiency guarantees are based on actual shop tests using clear cold water, and therefore the rating is specified in equivalent units of clear cold water. The sole obligation of Seller and the exclusive remedy of Purchaser for breach of this warranty shall be the repair (at Seller’s facility) or replacement by Seller (F.O.B. Milwaukee, Wisconsin), at Seller’s option, of any parts found to be defective, without charge and shall be conditioned upon Seller receiving written notice of any alleged breach of this warranty within a reasonable time after discovery of the defects, but in no event later than the end of the warranty period. The parts alleged to be defective shall be returned to Seller upon its request, freight prepaid. This warranty does not cover ordinary wear and tear, abuse, misuse, overloading, alteration or Products or parts which have not been installed, operated or maintained in accordance with Seller’s written instructions. Seller shall not be liable for any expenses for repairs, additions or modifications to the Products outside of Seller’s factory without its prior written consent, and any such repairs without such consent shall void this warranty. THIS WARRANTY IS EXCLUSIVE AND IS IN LIEU OF ALL OTHER EXPRESS AND IMPLIED WARRANTIES WHATSOEVER, INCLUDING BUT NOT LIMITED TO IMPLIED WARRANTIES OF MERCHANTABILITY AND FITNESS FOR A PARTICULAR PURPOSE. Seller may from time to time provide its facilities, personnel and experience to assist customers in the selection of materials, design, installation and operation of Products for maximum resistance to corrosion and abrasion with due consideration to the economy of the installation. This service is provided in an advisory capacity only and the final selection and operation of the Products and ancillary equipment shall be the sole responsibility of Purchaser or any user thereof. Accessories and parts manufactured by third parties are warranted only to the extent of such third party’s warranty. IN NO EVENT SHALL SELLER BE LIABLE UNDER ANY CIRCUMSTANCES FOR ANY INCIDENTAL, CONSEQUENTIAL OR SPECIAL DAMAGES (INCLUDING, WITHOUT LIMITATION, ANY LOST PROFITS OR LABOR COSTS) ARISING FROM THE BREACH OF THIS WARRANTY OR OTHERWISE ARISING FROM OR RELATING TO THE PRODUCTS OR THEIR SALE, USE OR INSTALLATION.
- 10. CHANGES.** Changes in any work to be performed hereunder may be made only upon Purchaser’s written instructions and acceptance by Seller in its discretion. Any change in drawings, materials or design of the Products, or to tools, fixtures or other items used to produce the Products, which affects Seller’s cost to produce the Products will entitle Seller to adjust the price to take into account any additional costs. If work has been started, Seller shall be properly reimbursed for work already performed; if Products already produced are not accepted by Purchaser, Seller has the right to adjust the price to take into account any additional costs caused by an increase or decrease in quantities or in the time required for performance under the agreement.
- 11. TERMINATION.** After Seller has commenced work, ordered any materials or made any other commitments pursuant to the agreement, it may be terminated only with the prior written agreement of Seller providing for equitable cancellation charges. Such charges shall reimburse Seller for any completed items at the contract price, and for any work-in-process items at the contract price less the cost to complete. Termination on any other basis must be specifically agreed on in writing in advance between Purchaser and Seller.
- 12. DEFERRED DELIVERIES.** Orders or deliveries will be deferred only upon the prior written agreement of Seller in its discretion, and then only upon the following conditions:

(a) The deferral period may not exceed sixty (60) days. At the end of the deferral period, if no release is provided by Purchaser, Seller reserves the right to render an invoice for and ship the completed portion of the order to the destination specified in Purchaser's order, or to store such material at Purchaser's expense at Seller's standard storage charges then in effect.

(b) For the portion of the order that is not completed, if no release is provided by Purchaser at the expiration of the deferral period, Seller reserves the right to render an invoice for any completed items at the contract price, and for any work-in-process items at the contract price less the cost to complete.

(c) Purchaser shall bear the risk of loss or damage to materials held at Purchaser's request.

13. LIMITATION OF LIABILITY. IN NO EVENT SHALL SELLER BE LIABLE UNDER ANY CIRCUMSTANCES: (a) FOR ANY INCIDENTAL, CONSEQUENTIAL OR SPECIAL DAMAGES (INCLUDING, WITHOUT LIMITATION, ANY LOST PROFITS OR LABOR COSTS) ARISING FROM OR RELATING TO THE PRODUCTS OR THEIR SALE, USE OR INSTALLATION; (b) FOR DAMAGES TO PROPERTY (OTHER THAN THE PRODUCTS PURCHASED FROM SELLER); (c) FROM ANY BREACH OF ITS WARRANTY OR ANY OTHER OBLIGATIONS TO BUYER; OR (d) FOR ANY OTHER CAUSE WHATSOEVER, WHETHER BASED ON WARRANTY (EXPRESSED OR IMPLIED) OR OTHERWISE BASED ON CONTRACT, OR ON TORT OR OTHER THEORY OF LIABILITY, AND REGARDLESS OF ANY ADVICE OR REPRESENTATIONS (WHETHER OR NOT IN WRITING) THAT MAY HAVE BEEN RENDERED BY SELLER CONCERNING THE DESIGN, MANUFACTURE, SALE, USE OR INSTALLATION OF THE PRODUCTS.

14. INFRINGEMENT. Seller at its expense will defend and hold Purchaser harmless from and against all damages, costs and expenses arising from any valid claim of infringement by a third party with respect to any patent or other intellectual property rights (collectively, the "Intellectual Property Rights") caused by Products originally manufactured by Seller, provided Purchaser (a) has not modified such Products, (b) gives Seller immediate notice in writing of any claim or commencement or threat of suit, and (c) permits Seller to defend or settle the same, and gives all immediate information, assistance and authority to enable Seller to do so. In the event any such originally manufactured Products are held to infringe an Intellectual Property Right and if Purchaser's use thereof is enjoined, Seller will, at its expense and option: (1) obtain for Purchaser the right to continue using the Products, (2) supply non-infringing Products, (3) modify the Products so that they become non-infringing, or (4) refund the then market value of such Products. In no event shall Seller's liability exceed the sale price of the infringing Products. THE FOREGOING REPRESENTS SELLER'S ENTIRE AND EXCLUSIVE OBLIGATION WITH RESPECT TO ANY CHARGE OF INFRINGEMENT OF ANY INTELLECTUAL PROPERTY RIGHT AND IS IN LIEU OF ANY STATUTORY WARRANTY RELATING TO INFRINGEMENT. Notwithstanding the foregoing, Seller shall have no liability as to any Products or parts thereof that are manufactured or modified by Purchaser or a third party, or that are manufactured or modified by Seller in accordance with Purchaser's specifications. Purchaser will defend and hold Seller harmless from and against all damages, costs and expenses whatsoever arising from any claim for infringement of any Intellectual Property Rights relating to Products that have been manufactured or modified by Seller according to specifications provided by Purchaser.

15. CERTAIN LAWS. Seller will comply with the applicable requirements of the Fair Labor Standards Act of 1938, as amended, Executive Order 11246, and THE rules, regulations and orders of the Secretary of Labor relating thereto.

16. PERIOD FOR ACCEPTING QUOTATIONS. Unless accepted without modification within thirty (30) days of issuance, or prior to withdrawal by Seller if earlier, all quotations automatically expire at the end of such thirty (30) day period.

17. PROVISIONS FOR INTERNATIONAL TRANSACTIONS. The following provisions shall apply if the Products are to be shipped to Purchaser at a location outside the United States, and apply regardless of other provisions set forth in these Terms and Conditions:

(a) The 1980 United Nations Convention on Contracts for the International Sale of Products shall not apply.

(b) Except as otherwise provided expressly stated in the agreement, terms of delivery are Ex-Works (within the meaning of INCOTERMS 2000) and all customs fees, import duties, cargo insurance, taxes and other charges imposed on or relating to the purchase or sale of the Products shall be paid by Purchaser in addition to the stated price.

(c) Except as otherwise provided expressly stated elsewhere in the agreement, payment shall be made by issuance to Seller of an irrevocable letter of credit which (i) is issued and confirmed by a U.S. bank acceptable to Seller, (ii) is governed by the Uniform Customs and Practice for Documentary Credits (UCP 600) and otherwise acceptable in form and substance to Seller, and (iii) provides for payment to Seller of the purchase price in U.S. dollars upon presentation by Seller of Seller's certification and/or such other documents as shall be required by the letter of credit. All banking and other charges for such letter of credit shall be for the account of Purchaser.

(d) Prices include Seller's standard commercial export packaging which may vary depending on whether shipment is made by air, land or sea. Except as otherwise provided expressly stated in the agreement, Purchaser will bear any additional expenses required to satisfy Purchaser's packaging requirements. Packages will be marked in accordance with Purchaser's instructions, if any. Seller shall furnish packing lists and such other information as may be necessary to enable Purchaser's agent to prepare documents required for export shipment.

(e) All shipments hereunder are subject to compliance with the U.S. Export Administration Act, as amended, regulations thereunder and all other U.S. laws and regulations concerning exports. Purchaser shall comply with all such laws and regulations concerning the use, disposition, re-export and sale of the Products provided hereunder.

18. GENERAL. No modification or waiver of the agreement or any of its provisions is valid unless expressly agreed to by Seller in writing, and no waiver by Seller of any default under the agreement is a waiver of any other or subsequent default. The unenforceability or invalidity of one or more of the provisions of the agreement will not affect the enforceability or validity of any other provision of the agreement. Purchaser may not assign any of its rights, duties or obligations under the agreement without Seller's prior written consent and any attempted assignment without such consent, even if by operation of law, will be void. The agreement is governed by and shall be construed in accordance with the laws of the State of Wisconsin, including the Uniform Commercial Code as enacted by such state, without giving effect to its conflict of laws principles.

Ampco Pumps Company, Inc.
2045 W. Mill Road
Glendale, WI 53209
(414) 643-1852
(414) 643-4452 fax

Ampco Pumps Company

Return Policy

This policy is intended for returns that are not covered by product warranty, i.e. wrong pump or part was ordered, customer canceled order, etc. Before returning any product, contact us for a Returned Material Authorization Number (RMA#). This will eliminate confusion when the parts are received and facilitate processing the return. No action will be taken on returned parts without an RMA.

<u>Type of Return</u>	<u>Restocking Charge</u>
Standard pump with a replacement order	10%
Standard pump without a replacement order	15%
Standard parts with a replacement order	5%
Standard parts without a replacement order	10%

Additional restocking charges may be assessed for any of the following circumstances.

1. Special order motors and seals are not returnable unless we have a use for them. Credit will be determined on a case-by-case basis.
2. Impellers that are trimmed to a diameter that we don't regularly use are not returnable. Credit will be determined on a case-by-case basis.
3. Used seals and motors are not returnable.

Credits

Credit will be issued only after parts are returned and inspected. Customer is responsible for packaging parts so they are returned in "as new" condition. Any labor required by Ampco to return the parts to "as new" condition will be deducted from the credit.