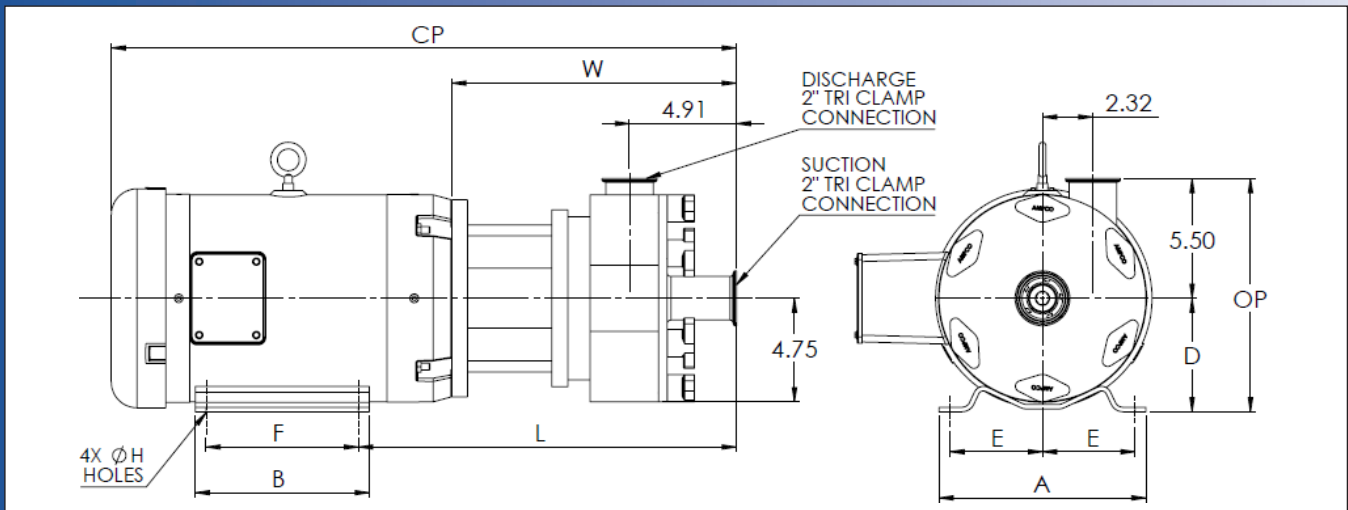




**DATA SHEET**  
**SHEAR-max**  
**MODEL SM1437 2 x 2**



TEFC MOTOR			DIMENSIONS IN INCHES (For Reference Only)										Approx Weight (lbs)
HP	RPM	FRAME	A (typ)	B (typ)	D	E	F	ØH	L	W	CP	OP	
7-1/2	3500	213TC	9-1/2	8	5-1/4	4-1/4	5-1/2	13/32	17.36	13.08	28.70	7.85	261
10	3500	215TC	9-1/2	8	5-1/4	4-1/4	7	13/32	17.36	13.08	29.80	7.85	279
15	3500	215TC	9-1/2	8	5-1/4	4-1/4	7	13/32	17.36	13.08	32.80	7.85	282

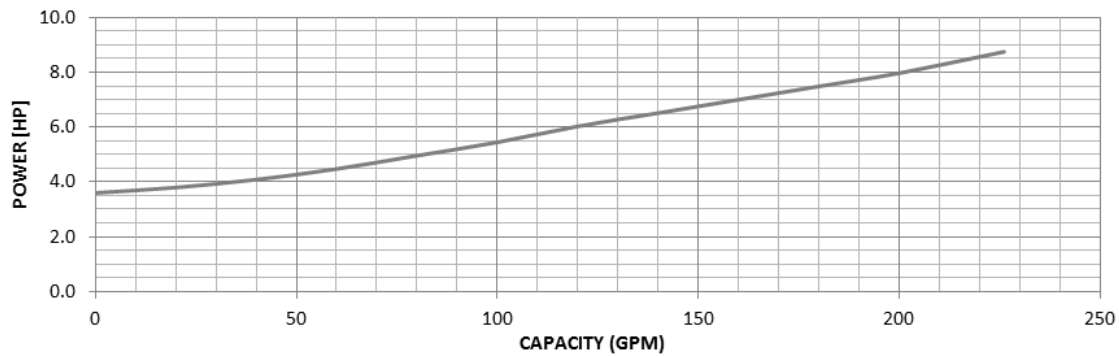
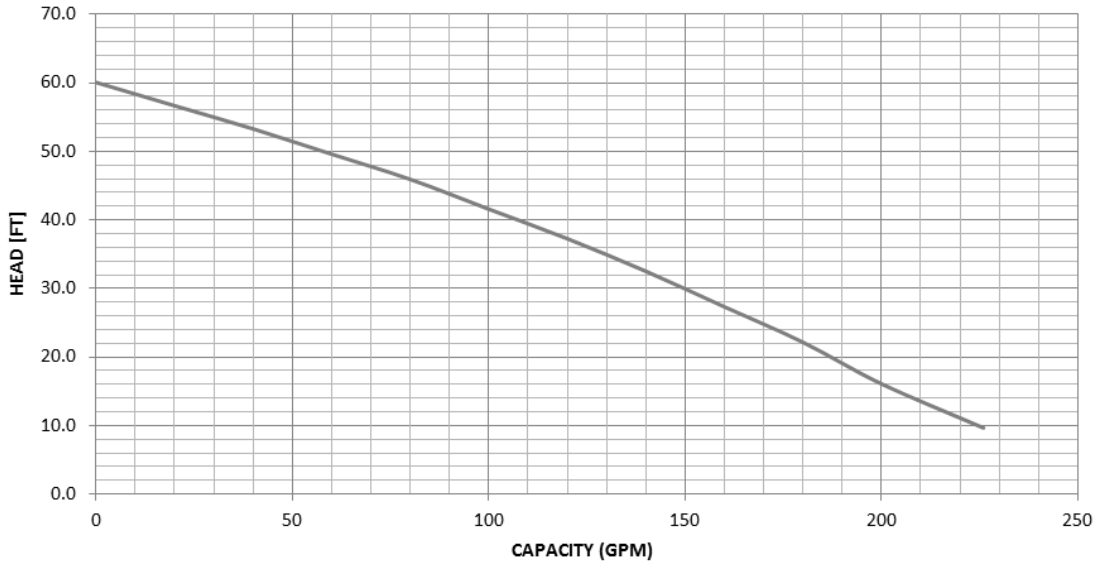
Note: Weights represent fluid end + motors with SS enclosure

**MATERIAL SPECIFICATIONS**

PART NAME	STAINLESS STEEL
Casing, Cover & Impeller	316L Stainless
Stub Shaft	316L Stainless
Adapter	304 Stainless

# SHEAR-max MODEL SM1437 2 x 2

## SM1437



Curves show approximate characteristics based on clear 68° water.

Rated point is guaranteed.

SM-Series pumps have standard stainless steel adapters and silicon carbide vs. carbon seals.

# Ampco Pumps Company

2040 W. Mill Rd Glendale, Wisconsin 53209

[www.ampcopumps.com](http://www.ampcopumps.com)

PHONE (414) 643-1852