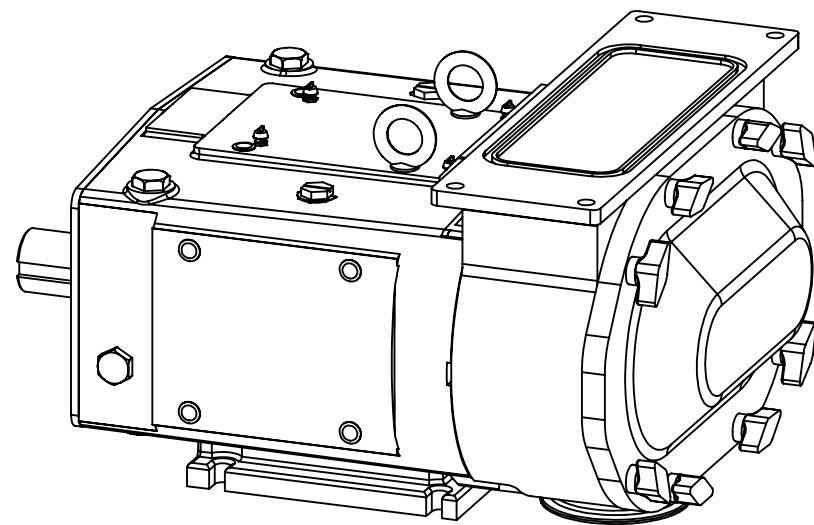


DETAIL RECTANGULAR FLANGE



Ampco Pumps Company

2045 West Mill Road Glendale, WI 53209

CUSTOMER DRAWING

DRAWN BY: D. COFFEY APPROVED BY: J. WEIDEMAN DATE: 2015/12/23

DESCRIPTION: ZP1/ZP1+ 224 GENERAL PUMP ASSEMBLY DRAWING (LEFT DRIVE)

DIMENSIONAL SCALE: 1:5 REVISION: C

- NOTES:
 1. CUSTOMER DRAWING, FOR REFERENCE ONLY
 2. UNLESS OTHERWISE NOTED, ALL DIMENSIONS ± .125in [3mm]

REV.	DATE	DESCRIPTION	BY	APPROVED BY
C	2023/12/19	SHEET FORMAT AND TITLE DESCRIPTION UPDATED. DUAL DIMENSIONS ADDED.	EMM	JRW
B	2016/08/19	SHAFT DIAMETER ADDED	DJF	
A	2015/12/23	DRAWING CREATED	DMC	
		REVISIONS		