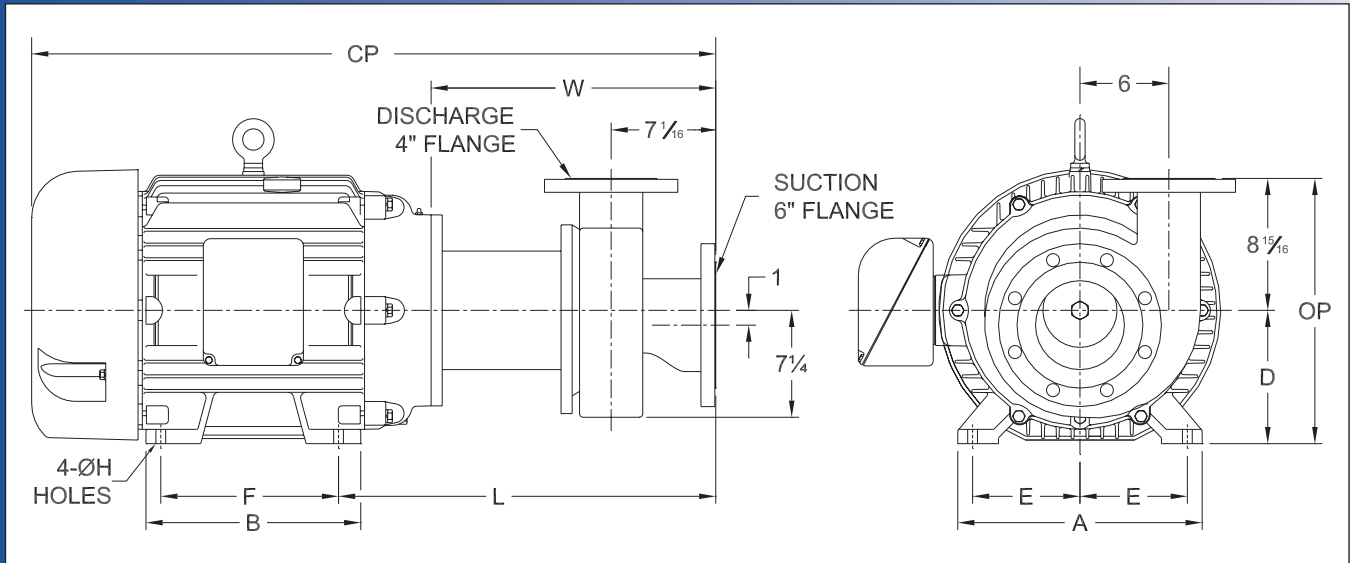
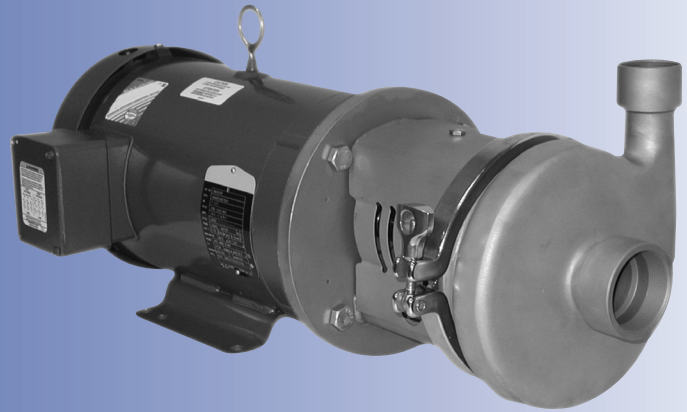


Ampco Centrifugal Pumps

DATA SHEET

MODEL IC+ 6410 6X4



| TEFC MOTOR | | | DIMENSIONS IN INCHES (For Reference Only) | | | | | | | | | | APPROX WEIGHT (LBS) |
|------------|------|--------|---|---------|-------|-------|--------|-------|---------|----------|----------|----------|---------------------|
| HP | RPM | FRAME | A (typ) | B (typ) | D | E | F | ØH | L | W | CP | OP | |
| 7-1/2 | 1750 | 213TC | 9-1/2 | 8 | 5-1/4 | 4-1/4 | 5-1/2 | 13/32 | 21-1/16 | 16-13/16 | 32-13/16 | 14-3/16 | 230 |
| 10 | 1750 | 215TC | 9-1/2 | 8 | 5-1/4 | 4-1/4 | 7 | 13/32 | 21-1/16 | 16-13/16 | 33-13/16 | 14-3/16 | 240 |
| 15 | 1750 | 254TC | 11-1/2 | 11-1/2 | 6-1/4 | 5 | 8-1/4 | 17/32 | 21-9/16 | 16-13/16 | 34-7/16 | 15-3/16 | 358 |
| 20 | 1750 | 256TC | 11-1/2 | 11-1/2 | 6-1/4 | 5 | 10 | 17/32 | 21-9/16 | 16-13/16 | 36-9/16 | 15-3/16 | 381 |
| 25 | 1750 | 284TC | 12-3/4 | 12-3/4 | 7 | 5-1/2 | 9-1/2 | 17/32 | 22-3/16 | 17-7/16 | 40-1/4 | 15-15/16 | 514 |
| 30 | 1750 | 286TC | 12-3/4 | 12-3/4 | 7 | 5-1/2 | 11 | 17/32 | 22-3/16 | 17-7/16 | 40-1/4 | 15-15/16 | 525 |
| 20 | 3500 | 256TC | 11-1/2 | 11-1/2 | 6-1/4 | 5 | 10 | 17/32 | 21-9/16 | 16-13/16 | 36-9/16 | 15-3/16 | 375 |
| 25 | 3500 | 284TSC | 12-3/4 | 12-3/4 | 7 | 5-1/2 | 9-1/2 | 17/32 | 22-3/16 | 17-7/16 | 40-1/4 | 15-15/16 | 474 |
| 30 | 3500 | 286TSC | 12-3/4 | 12-3/4 | 7 | 5-1/2 | 11 | 17/32 | 22-3/16 | 17-7/16 | 40-1/4 | 15-15/16 | 496 |
| 40 | 3500 | 324TSC | 14-1/2 | 14 | 8 | 6-1/4 | 10-1/2 | 21/32 | 24-7/16 | 19-3/16 | 42 | 16-15/16 | 617 |
| 50 | 3500 | 326TSC | 14-1/2 | 14 | 8 | 6-1/4 | 12 | 21/32 | 24-7/16 | 19-3/16 | 42 | 16-15/16 | 726 |
| 60 | 3500 | 364TSC | 16-1/2 | 14-1/2 | 9 | 7 | 11-1/4 | 21/32 | 25-1/16 | 19-3/16 | 44-1/4 | 17-15/16 | 867 |
| 75 | 3500 | 365TSC | 16-1/2 | 14-1/2 | 9 | 7 | 12-1/4 | 21/32 | 25-1/16 | 19-3/16 | 44-1/4 | 17-15/16 | 893 |

MATERIAL SPECIFICATIONS

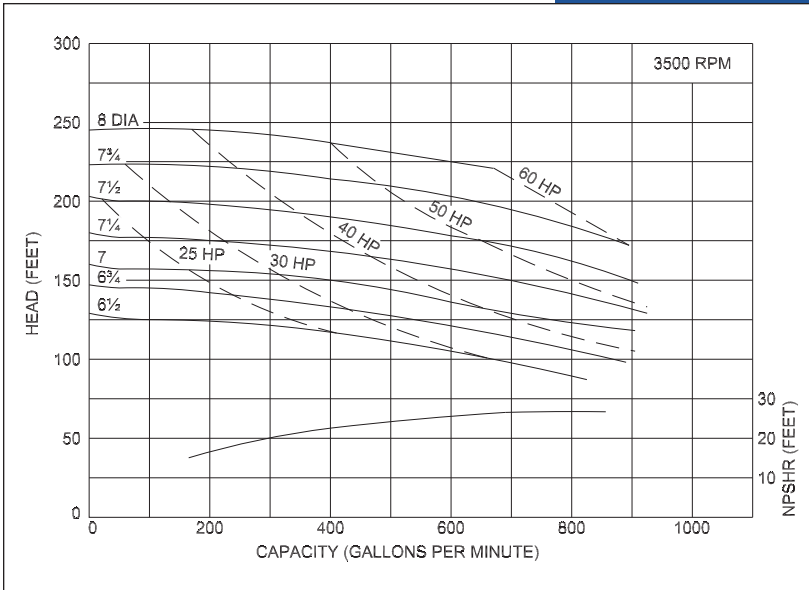
| PART NAME | STAINLESS STEEL |
|---------------------------------|-----------------|
| Casing | 316L Stainless |
| Backplate, Impeller, Stub Shaft | 316L Stainless |
| Adapter | 304 Stainless |



Ampco Centrifugal Pumps

MODEL IC+ 6410 6X4

Curves show approximate characteristics
based on clear 68° water.
Rated point is guaranteed.



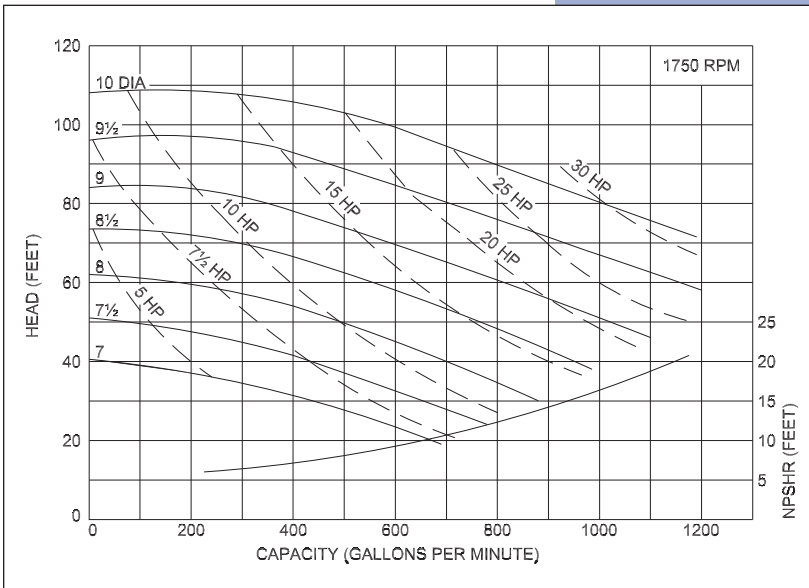
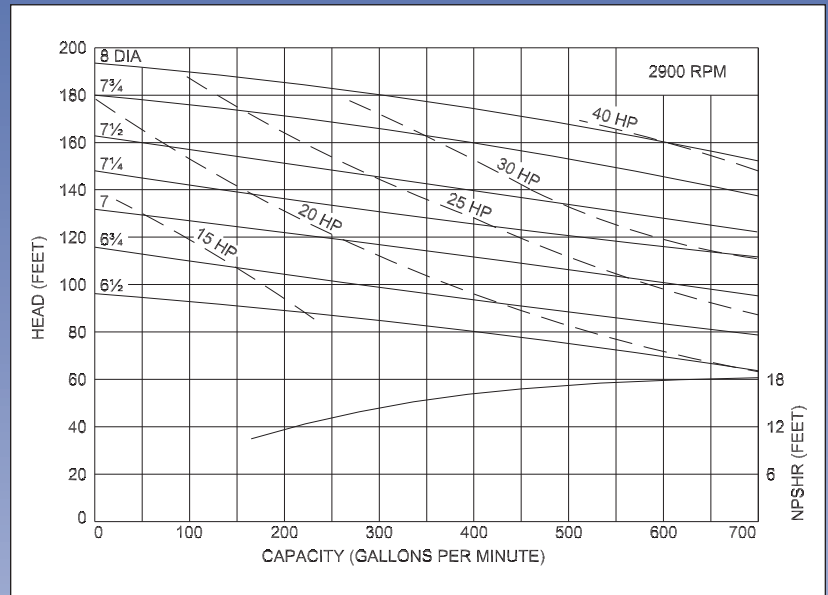
IC+ Series pumps have standard NPT connections.

Flange connections are optional.

IC+ pumps are constructed of 316L stainless steel
with a glass beaded finish.

The standard IC+ mechanical seal is a Type 21
with a ceramic seat, carbon rotating element.
Buna-N elastomers and 304 SS metallics.

Contact the factory for other seal
material options.



Ampco Pumps Company

2045 West Mill Road
Glendale, Wisconsin 53209

PHONE (414) 643-1852

FAX (414) 643-4452