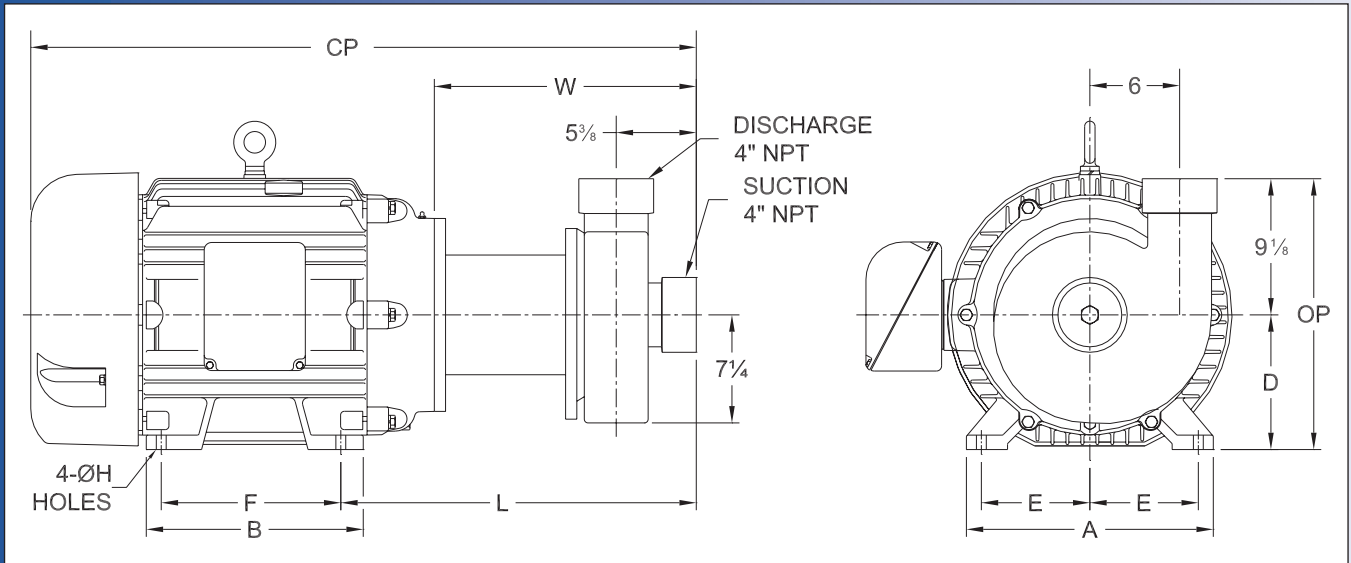
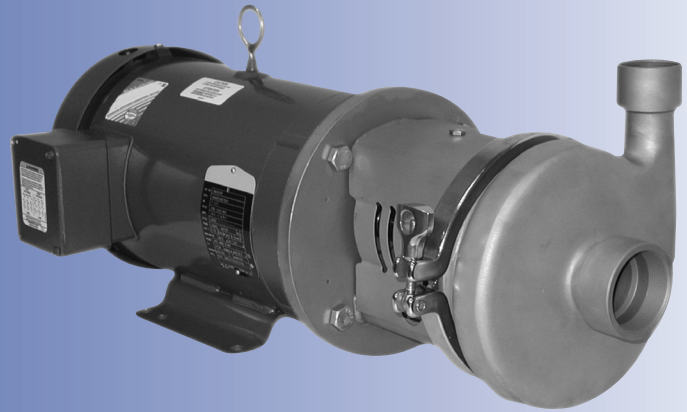


Ampco Centrifugal Pumps

DATA SHEET

MODEL IC+ 4410 4X4



| TEFC MOTOR | | | DIMENSIONS IN INCHES (For Reference Only) | | | | | | | | | | APPROX WEIGHT (LBS) |
|------------|------|--------|---|---------|-------|-------|--------|-------|--------|--------|---------|--------|---------------------|
| HP | RPM | FRAME | A (typ) | B (typ) | D | E | F | ØH | L | W | CP | OP | |
| 7-1/2 | 1750 | 213TC | 9-1/2 | 8 | 5-1/4 | 4-1/4 | 5-1/2 | 13/32 | 19-3/8 | 15-1/8 | 30-3/8 | 14-3/8 | 230 |
| 10 | 1750 | 215TC | 9-1/2 | 8 | 5-1/4 | 4-1/4 | 7 | 13/32 | 19-3/8 | 15-1/8 | 32-1/8 | 14-3/8 | 240 |
| 15 | 1750 | 254TC | 11-1/2 | 11-1/2 | 6-1/4 | 5 | 8-1/4 | 17/32 | 19-7/8 | 15-1/8 | 32-3/4 | 15-3/8 | 358 |
| 20 | 1750 | 256TC | 11-1/2 | 11-1/2 | 6-1/4 | 5 | 10 | 17/32 | 19-7/8 | 15-1/8 | 34-7/8 | 15-3/8 | 381 |
| 25 | 1750 | 284TC | 12-3/4 | 12-3/4 | 7 | 5-1/2 | 9-1/2 | 17/32 | 20-1/2 | 15-3/4 | 38-9/16 | 16-1/8 | 514 |
| 30 | 1750 | 286TC | 12-3/4 | 12-3/4 | 7 | 5-1/2 | 11 | 17/32 | 20-1/2 | 15-3/4 | 38-9/16 | 16-1/8 | 525 |
| 20 | 3500 | 256TC | 11-1/2 | 11-1/2 | 6-1/4 | 5 | 10 | 17/32 | 19-7/8 | 15-1/8 | 34-7/8 | 15-3/8 | 375 |
| 25 | 3500 | 284TSC | 12-3/4 | 12-3/4 | 7 | 5-1/2 | 9-1/2 | 17/32 | 20-1/2 | 15-3/4 | 38-9/16 | 16-1/8 | 474 |
| 30 | 3500 | 286TSC | 12-3/4 | 12-3/4 | 7 | 5-1/2 | 11 | 17/32 | 20-1/2 | 15-3/4 | 38-9/16 | 16-1/8 | 496 |
| 40 | 3500 | 324TSC | 14-1/2 | 14 | 8 | 6-1/4 | 10-1/2 | 21/32 | 22-3/4 | 17-1/2 | 40-5/16 | 17-1/8 | 617 |
| 50 | 3500 | 326TSC | 14-1/2 | 14 | 8 | 6-1/4 | 12 | 21/32 | 22-3/4 | 17-1/2 | 40-5/16 | 17-1/8 | 726 |
| 60 | 3500 | 364TSC | 16-1/2 | 14-1/2 | 9 | 7 | 11-1/4 | 21/32 | 23-3/8 | 17-1/2 | 42-9/16 | 18-1/8 | 867 |
| 75 | 3500 | 365TSC | 16-1/2 | 14-1/2 | 9 | 7 | 12-1/4 | 21/32 | 23-3/8 | 17-1/2 | 42-9/16 | 18-1/8 | 893 |

MATERIAL SPECIFICATIONS

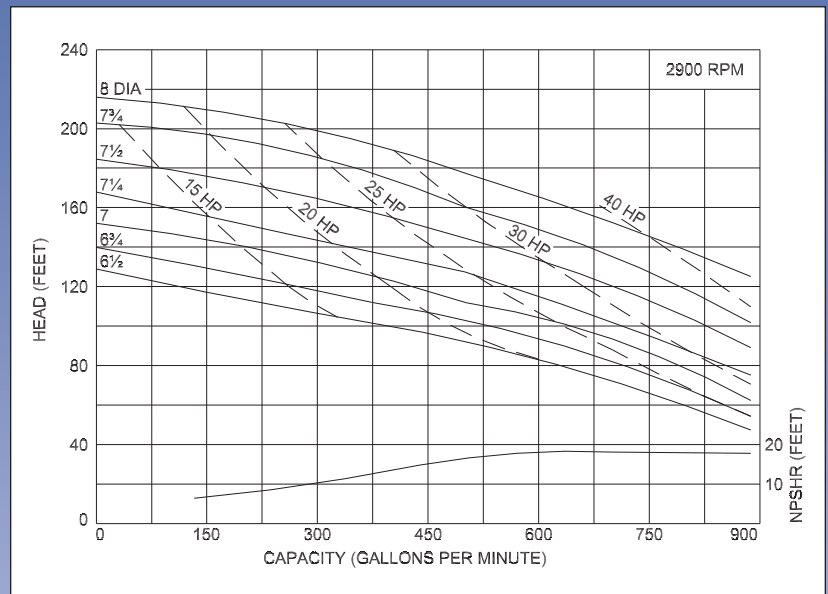
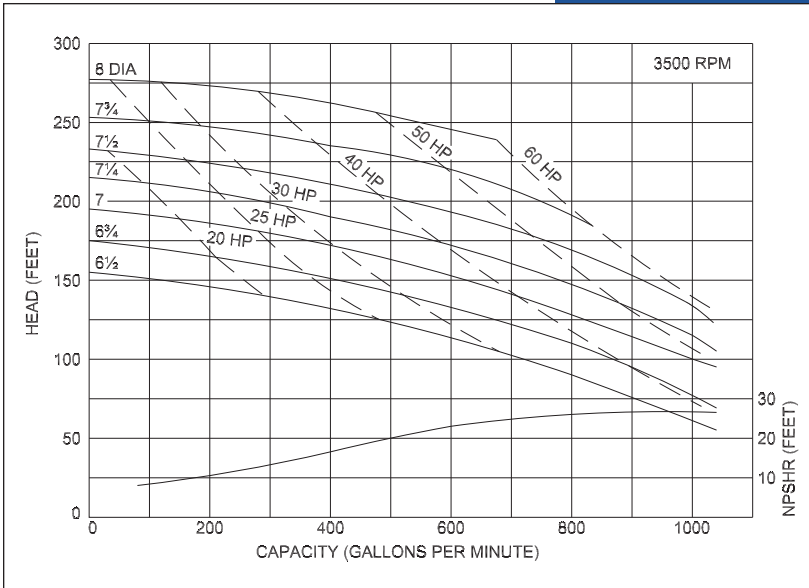
| PART NAME | STAINLESS STEEL |
|---------------------------------|-----------------|
| Casing | 316L Stainless |
| Backplate, Impeller, Stub Shaft | 316L Stainless |
| Adapter | 304 Stainless |



Ampco Centrifugal Pumps

MODEL IC+ 4410 4X4

Curves show approximate characteristics
based on clear 68° water.
Rated point is guaranteed.



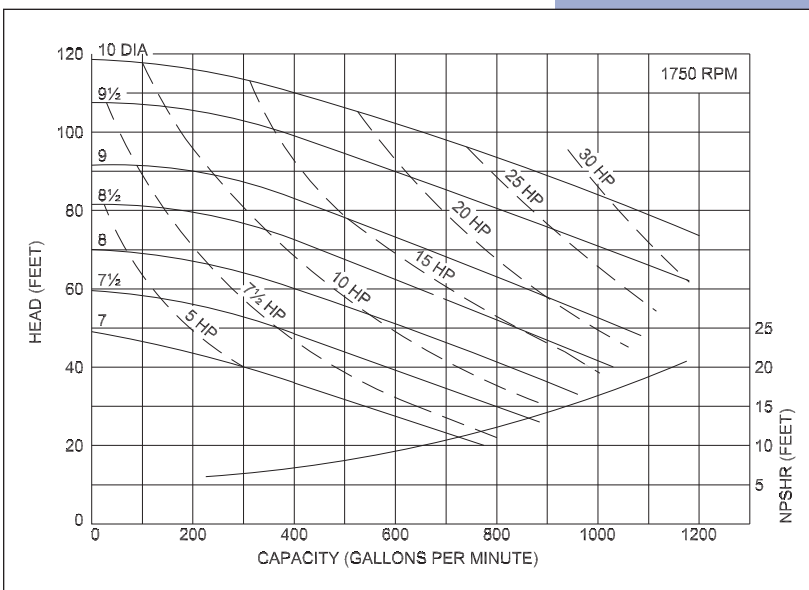
IC+ Series pumps have standard NPT connections.

Flange connections are optional.

IC+ pumps are constructed of 316L stainless steel
with a glass beaded finish.

The standard IC+ mechanical seal is a Type 21
with a ceramic seat, carbon rotating element.
Buna-N elastomers and 304 SS metallics.

Contact the factory for other seal
material options.



Ampco Pumps Company

2045 West Mill Road
Glendale, Wisconsin 53209

PHONE (414) 643-1852

FAX (414) 643-4452