

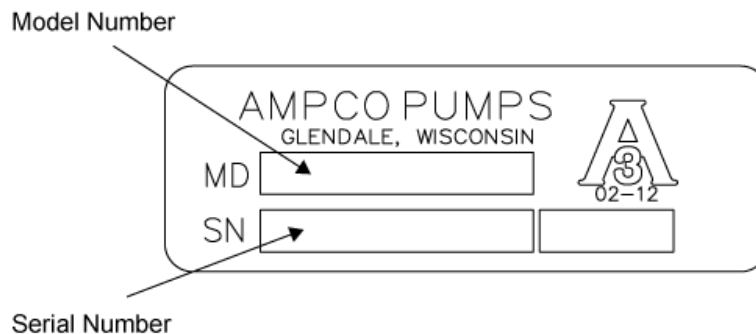
ELECTRONIC CATALOG NAVIGATION INSTRUCTIONS

Select by Pump Model:

If you know what pump you are looking for, you can use the 'Bookmarks' tab on the left and select the pump model which you are trying to access. Clicking in the Bookmark will take you to the page you are looking for.

If there are no tabs on the left (bookmarks, signatures, layers, pages), you can use the top menu to make them appear. Goto VIEW > SHOW/HIDE > NAVIGATION PANES > BOOKMARKS and they will appear.

Sample Pump ID Tag: See the illustration below for help identifying the location of the Model number and Serial number on the pump ID tag.



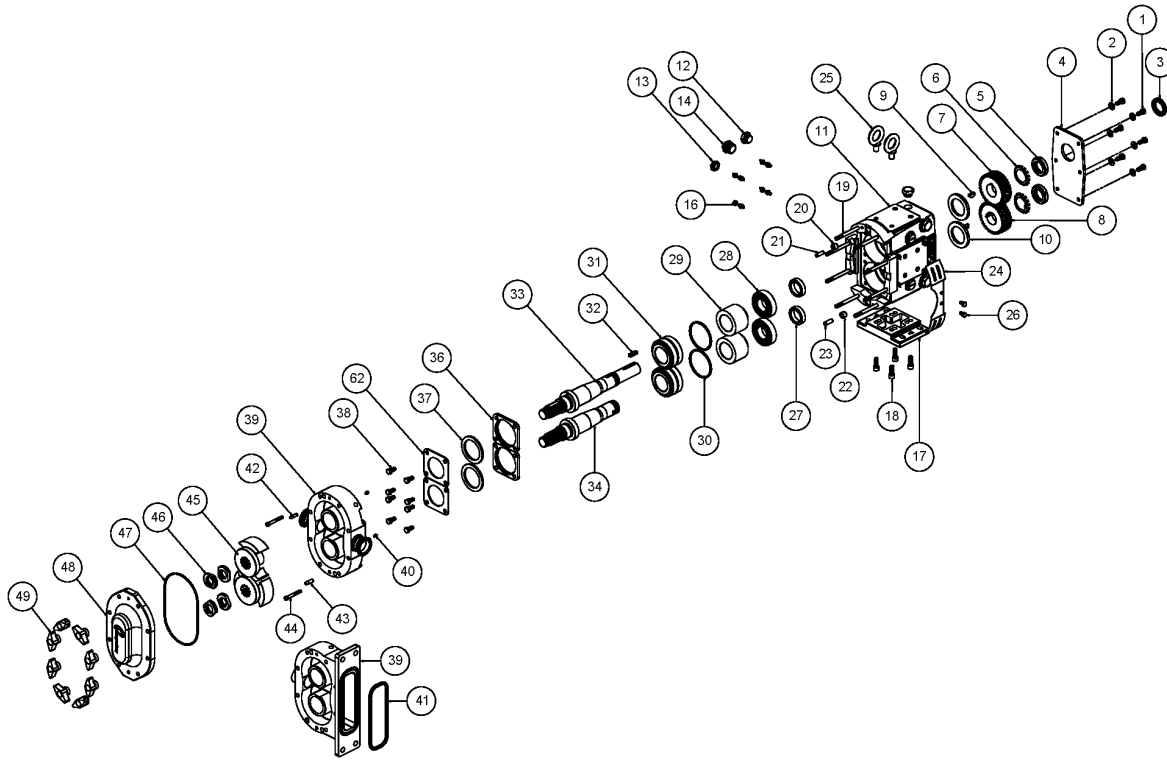
Please reference your serial number when ordering replacement parts.

Select by Part Number:

If you know an exact part number you are looking for, simply hit CONTROL+F and that will bring up the find feature. You may also use the menu, goto EDIT > FIND to bring up the same feature.

Type in your part number and it will show you all instances of that item in the catalog. If you only know some of the part number (i.e. SP328), that will also help and show all occurrences of those numbers together.

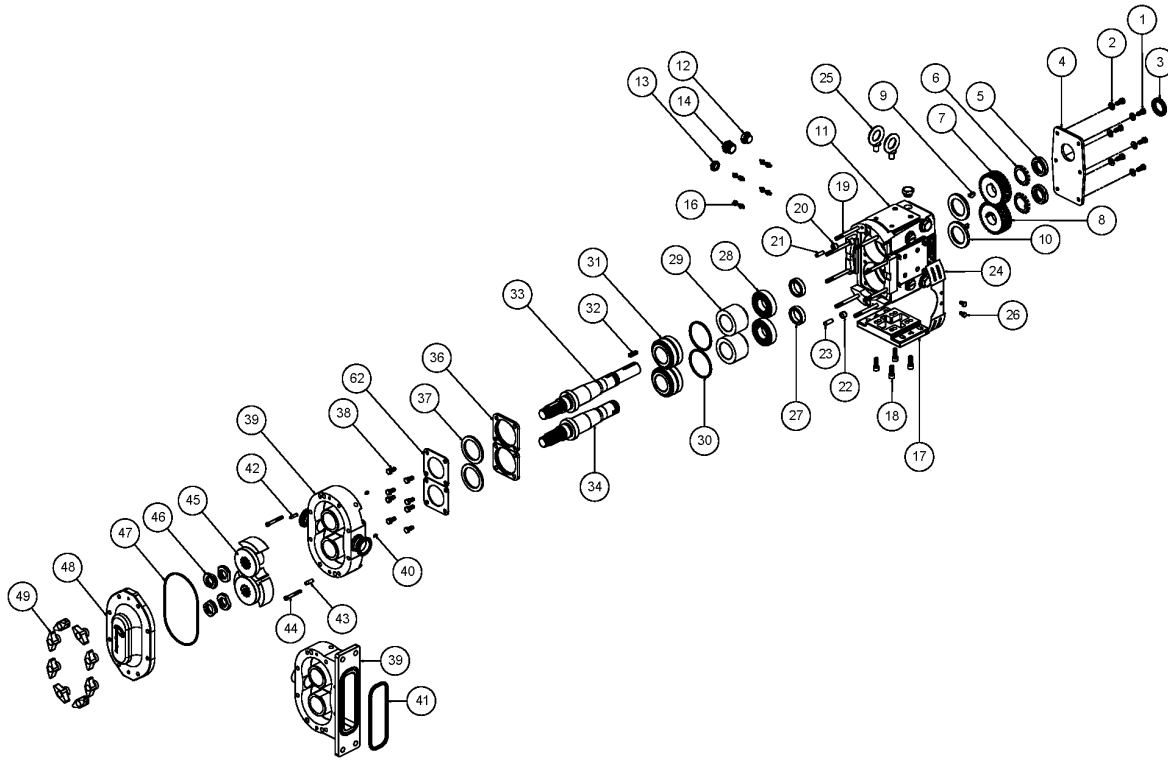
Be advised that partials of part number can return a large amount of results.



Exploded View

Optional Items Shown in ITALICS

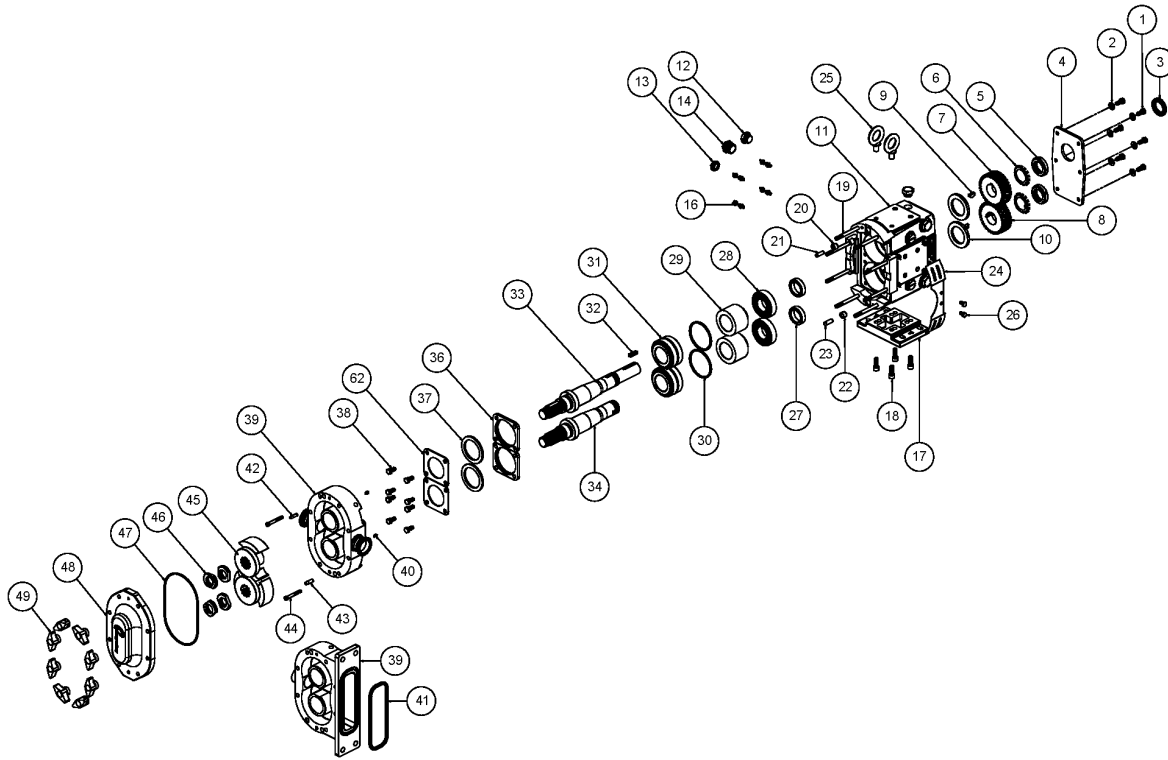
Ref #	Component Item No.	Description	Qty Per
1	P1GX30-58	HEX HEAD CAP SCREW G.CASE COVER, SS - ZP1 & ZP2 6/15/18	6
2	P1GX43-108	FLAT WASHER, G CASE COVER, 1/4 X 5/8 OD, SS - ZP1 & ZP2 6/15	6
3	P1GX000030016-ND	OIL SEAL, PTFE, GEAR CASE COVER - ZP1 & ZP2 6/15/18	1
	<i>P1GX000030016</i>	<i>OIL SEAL, GEAR CASE COVER - ZP1 & ZP2 6/15/18</i>	1
4	P1SX020106000	GEAR CASE COVER, SS - ZP1 & ZP2 6/15/18/24	1
5	P1GXSTD236005	GEAR LOCK NUT - ZP1 & ZP2 6/15/18	2
6	P1GXSTD136005	GEAR LOCKWASHER ZP1 & ZP2 6/15/18	2
7	P1GX015007001	GEAR DRIVE SHAFT ZP1 & ZP2 6/15/18	1
8	P1GX015007002	GEAR SHORT SHAFT ZP1 & ZP2 6/15/18	1
9	P1GX015037000	GEAR KEY - ZP1 & ZP2 6/15/18/24	2
10	P1GX000030017	OIL SEAL, REAR - ZP1 & ZP2 6/15/18	2
11	P1SX020005000	GEAR CASE, SS - ZP1 & ZP2 6/15/18/24	1
12	P1GX115798	PLUG,HEX,20M X1.5,W/NBR SEAL	5
13	P1GX115799	GAUGE,OIL,LVL,INDIC,M-20X1.5	1
14	P1GX20PLUG-SS	CLEANOUT PLUG, SS - ZP1 6/15/18	4
	<i>P1GX20PLUG</i>	<i>CLEANOUT PLUG, YELLOW - ZP1 6/15/18</i>	4
16	P1GXBD0092001	GREASE FITTING, THREADED 1/4"-28 TAPER, SS	8
17	P1SX020110000	GEAR CASE BASE, SS - ZP1 & ZP2 6/15/18/24	1
18	P1GX15SHCSGCB	SHCS, G. CASE BASE, (18-8 SS) 5/16-18 X 3/4 - ZP1 & ZP2 6/15	4
19	P1GXAD0011000	STUD, ZP1 6/15	8
	<i>P1GXAD0011J00</i>	<i>STUD, JACKETED COVER, ZP1 6/15</i>	8
20	P1GXAD0116000	UPPER DOWEL BUSHING - ZP1 & ZP2 6/15/18	1
21	P1GX124581	DOWEL PIN - ZP1 & ZP2 6/15/18/24	1
22	P1GXAD0116100	LOWER DOWEL BUSHING - ZP1 & ZP2 6/15/18	1
23	P1GX124582	DOWEL PIN - ZP1 & ZP2 45/60/64/130/134	1
24	P1SX020CEGUARD	GUARD,6-24,(CE),GC,SS	2
26	P1GX000CENAIL	DRIVENAIL,ZP,GEAR CASE GUARDS	4



Exploded View

Optional Items Shown in ITALICS

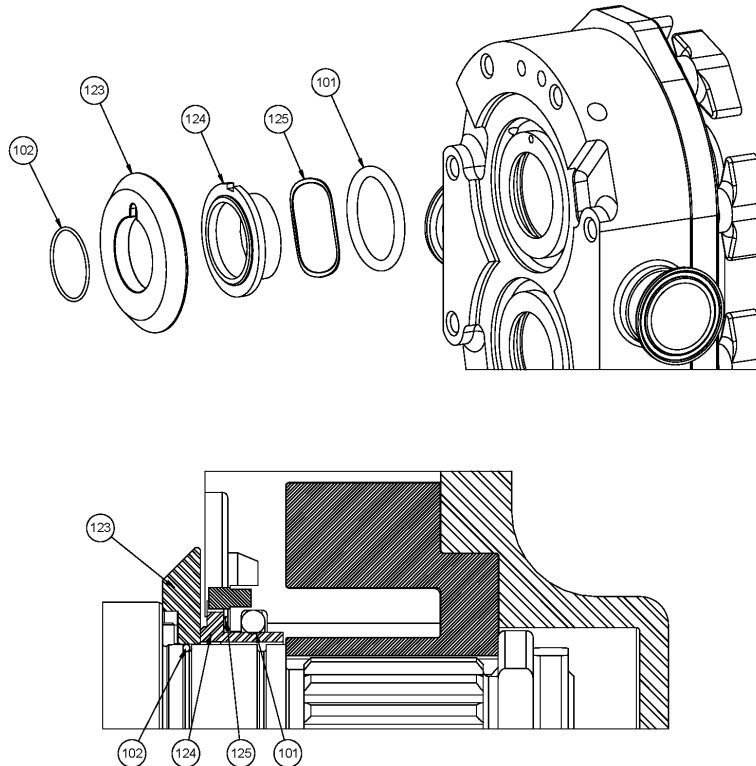
Ref #	Component Item No.	Description	Qty Per
27	P1GX015055000	GEAR TO REAR BEARING SPACER - ZP1 & ZP2 6/15/18/24	2
28	P1GX015035000	REAR BEARING - ZP1 & ZP2 6/14/15/18/24	2
29	P1GX101814	BEARING SPACER - ZP1 & ZP2 6/15/18/24	2
30	P1GX117889	SHIM KIT - ZP1 & ZP2 6/15/18/24	2
31	P1GX101714	FRONT BEARING - ZP1 & ZP2 6/14/15/18/24	2
32	P1GX000037001	DRIVE KEY, 3/16 SQ. X 1-1/8" - ZP1 & ZP2 6/15/18	1
33	P1SX114642	DRIVE SHAFT (17-4PH) - ZP1 6/15 (TAPER)	1
34	P1SX114643	SHORT SHAFT (17-4PH) - ZP1 6/15 (TAPER)	1
36	P1SX120332	BEARING RETAINER, NEW STYLE 3A - ZP1 & ZP2 6/15/18/24	2
37	P1GX121679-ND	GREASE SEAL, PTFE, FRONT BEARING RET. 3A - ZP1 & ZP2 6/15/18	2
	<i>P1GX121679</i>	<i>GREASE SEAL FRONT BEARING RET. 3A - ZP1 & ZP2 6/15/18</i>	2
38	P1GX30-58	HEX HEAD CAP SCREW G.CASE COVER, SS - ZP1 & ZP2 6/15/18	8
39	P1BDY006001000	BODY - ZP1 6	1
	<i>P1BDY006001F00</i>	<i>BODY - ZP1 6 - FLUSHED</i>	1
40	P1GX015126000	STOP PIN, SEAL - ZP1 & ZP2 6/15	2
42	P1GX124581	DOWEL PIN - ZP1 & ZP2 6/15/18/24	1
43	P1GX124582	DOWEL PIN - ZP1 & ZP2 45/60/64/130/134	1
44	P1GX30-523	CAPSCRW,SH,1/4-20X1-1/4,18-8SS SCKT HD	2
45	P1RTB006010000	ROTOR TWIN BLADE - ALLOY 88 - ZP1 6	2
	<i>P1RTB00601000H</i>	<i>ROTOR TWIN BLADE - ALLOY 88 - ZP1 6 - HOT CLEARANCE</i>	2
	<i>P1RTB0060100HC</i>	<i>ROTOR TWIN BLADE - ALLOY 88 - ZP1 6 - HOT CHOCOLATE</i>	2
	<i>P1RTB006010200</i>	<i>ROTOR TWIN BLADE - 316L - ZP1 6</i>	2
46	P1SXAD0052001	ROTOR JAM NUT - ZP1 6/15/18/24	4
47	N70252	O-RING, COVER (BUNA) - ZP1 6/15/18/24	1
	<i>S75252</i>	<i>O-RING, COVER (SILICONE) - ZP1 6/15/18/24</i>	1
	<i>V70252</i>	<i>O-RING, COVER (VITON) - ZP1 6/15/18/24</i>	1
	<i>E70252</i>	<i>O-RING, COVER (EPDM) - ZP1 6/15/18/24</i>	1



Exploded View

Optional Items Shown in ITALICS

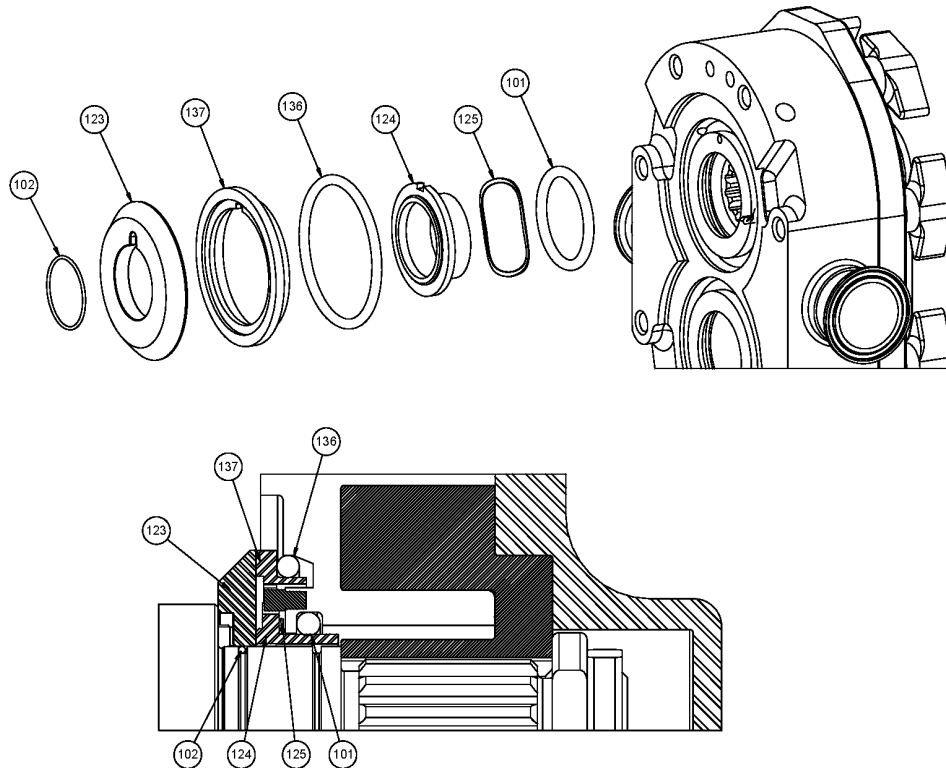
Ref #	Component Item No.	Description	Qty Per
48	P1CVRAD0002S00	COVER - ZP1 6/15/18	1
	<i>P1CVRAD0002J10</i>	<i>COVER, JACKETED - ZP1 6/15/18</i>	<i>1</i>
49	P1GX105850	WING NUT - ZP1 & ZP2 6/15/18	8
	<i>P1SX108369</i>	<i>COVER HEX NUT - ZP1 & ZP2 6/15/18/24</i>	<i>8</i>
62	P1SX020SPLATE	BEARING RETAINER SPLASH PLATE - ZP1 & ZP2 6/15/18	2
900	P1GXAD0096001	PICK,COMBO,O-RING ZP1 ZP2	1
901	P1GX000140003	OIL,460FG,MAGNAPLT,1GAL ZP	1
902	P1GX000140002	GREASE,HALO GUARD,14OZ TUBE ZP	1
903	P1GXRTVSEAL	SILICONE,DOW,732,30Z ZP1 ZP2	1
904	P1GX109895	WRENCH,6-24,RTR NUT ZP1 6-24	1



Single Mechanical Seal

Optional Items Shown in ITALICS

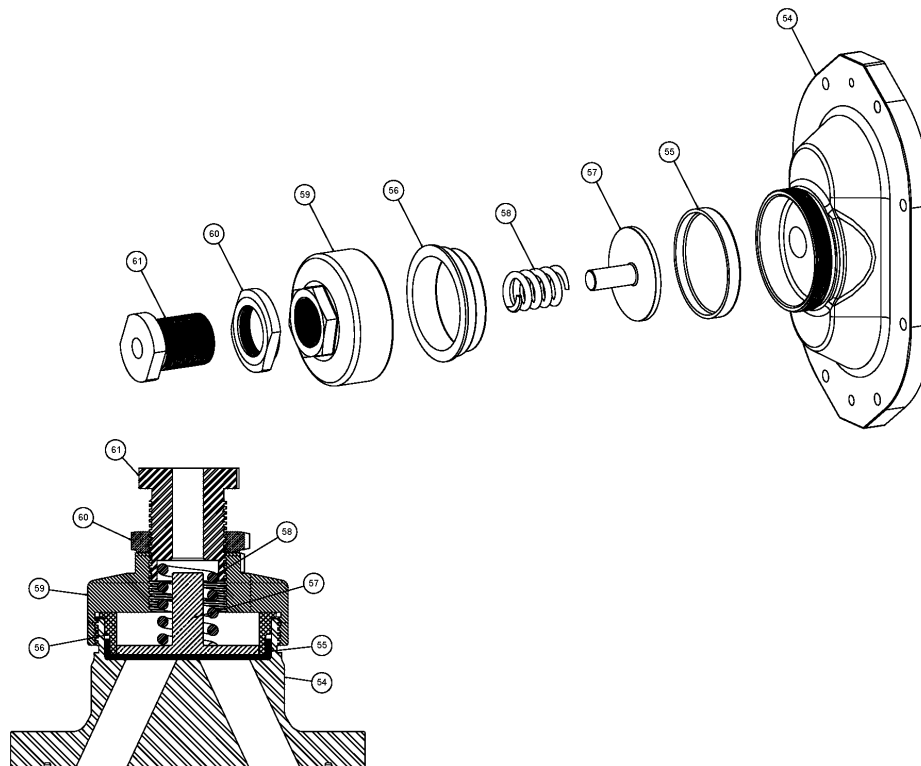
Ref #	Component Item No.	Description	Qty Per
101	P1GXAD0079000	O-RING, BODY (BUNA) - ZP1 6/15/18	2
	<i>P1GXAD0079002</i>	<i>O-RING, BODY (EPDM) - ZP1 6/15/18</i>	2
	<i>P1GXAD0079V00</i>	<i>O-RING, BODY (VITON) - ZP1 6/15/18</i>	2
	<i>P1GXAD0079SC0</i>	<i>O-RING, BODY (SILICONE) - ZP1 6/15/18</i>	2
102	N70022	O-RING, SHAFT (BUNA) - ZP1 6/15/18	2
	<i>E70022</i>	<i>O-RING, SHAFT (EPDM) - ZP1 6/15/18</i>	2
	<i>V70022</i>	<i>O-RING, SHAFT (VITON) - ZP1 6/15/18</i>	2
	<i>S75022</i>	<i>O-RING, SHAFT (SILICONE) - ZP1 6/15/18</i>	2
123	P1GS015014009	SEAL SEAT (C) ZP1 6/15/18/24	2
	<i>P1GS015014002</i>	<i>SEAL SEAT (K) ZP1 6/15/18/24</i>	2
	<i>P1GS015014001</i>	<i>SEAL SEAT (CO) ZP1 6/15/18/24</i>	2
124	P1GS015306007	SEAL INNER (N) ZP1 6/15/18/24	2
	<i>P1GS40635</i>	<i>SEAL INNER (K) ZP1 6/15/18/24</i>	2
	<i>P1GS015306009</i>	<i>SEAL INNER (C) ZP1 6/15/18/24</i>	2
	<i>P1GS015306002</i>	<i>SEAL INNER (CO) ZP1 6/15/18/24</i>	2
125	P1GS015304000	INNER SEAL WAVE SPRING - ZP1 6/15/18/24	2



Double Mechanical Seal

Optional Items Shown in ITALICS

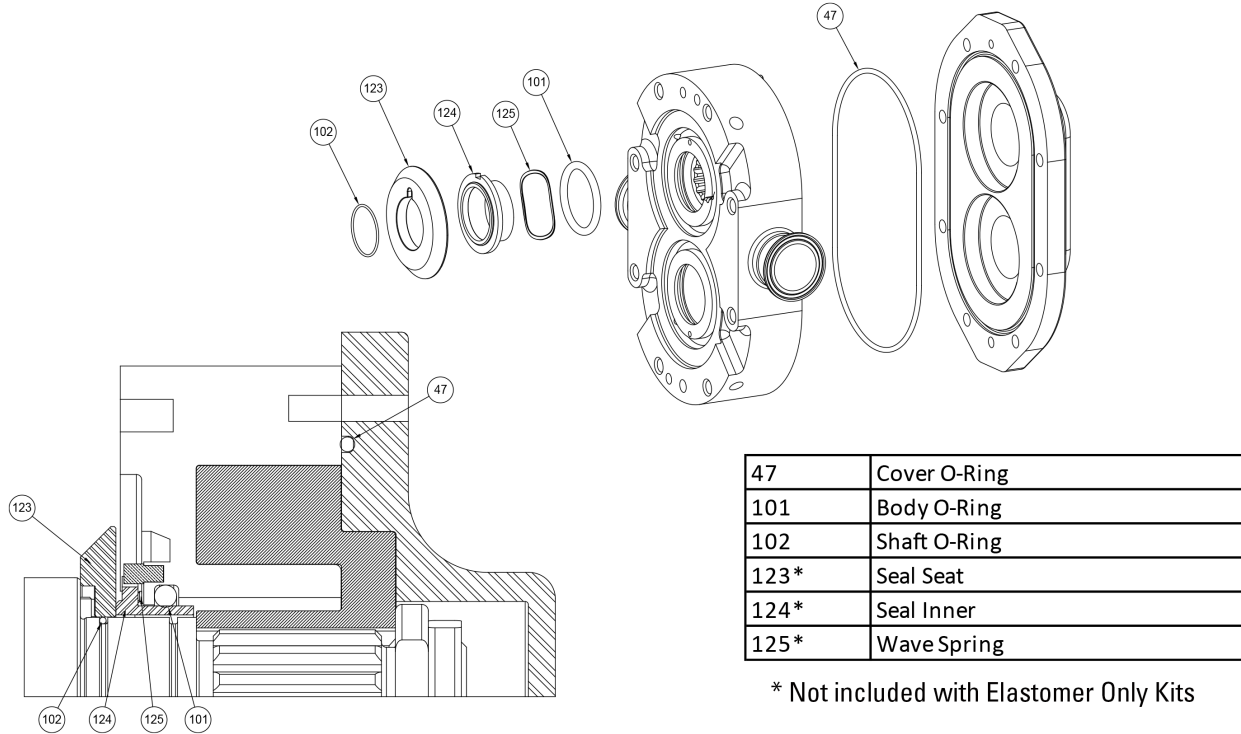
Ref #	Component Item No.	Description	Qty Per
101	P1GXAD0079000	O-RING, BODY (BUNA) - ZP1 6/15/18	2
	<i>P1GXAD0079002</i>	<i>O-RING, BODY (EPDM) - ZP1 6/15/18</i>	2
	<i>P1GXAD0079V00</i>	<i>O-RING, BODY (VITON) - ZP1 6/15/18</i>	2
	<i>P1GXAD0079SC0</i>	<i>O-RING, BODY (SILICONE) - ZP1 6/15/18</i>	2
102	N70022	O-RING, SHAFT (BUNA) - ZP1 6/15/18	2
	<i>E70022</i>	<i>O-RING, SHAFT (EPDM) - ZP1 6/15/18</i>	2
	<i>V70022</i>	<i>O-RING, SHAFT (VITON) - ZP1 6/15/18</i>	2
	<i>S75022</i>	<i>O-RING, SHAFT (SILICONE) - ZP1 6/15/18</i>	2
123	P1GS015014009	SEAL SEAT (C) ZP1 6/15/18/24	2
	<i>P1GS015014002</i>	<i>SEAL SEAT (K) ZP1 6/15/18/24</i>	2
	<i>P1GS015014001</i>	<i>SEAL SEAT (CO) ZP1 6/15/18/24</i>	2
124	P1GS015306007	SEAL INNER (N) ZP1 6/15/18/24	2
	<i>P1GS40635</i>	<i>SEAL INNER (K) ZP1 6/15/18/24</i>	2
	<i>P1GS015306009</i>	<i>SEAL INNER (C) ZP1 6/15/18/24</i>	2
	<i>P1GS015306002</i>	<i>SEAL INNER (CO) ZP1 6/15/18/24</i>	2
125	P1GS015304000	INNER SEAL WAVE SPRING - ZP1 6/15/18/24	2
136	N50228	O-RING, OUTER SEAL (BUNA) - ZP1 6/15/18/24	2
	<i>E50228</i>	<i>O-RING, OUTER SEAL (EPDM) - ZP1 6/15/18/24</i>	2
	<i>V50228</i>	<i>O-RING, OUTER SEAL (VITON) - ZP1 6/15/18/24</i>	2
137	P1GS015206007	OUTER SEAL (N) ZP1 6/15/18/24	2



Pressure Relief Cover

Optional Items Shown in ITALICS

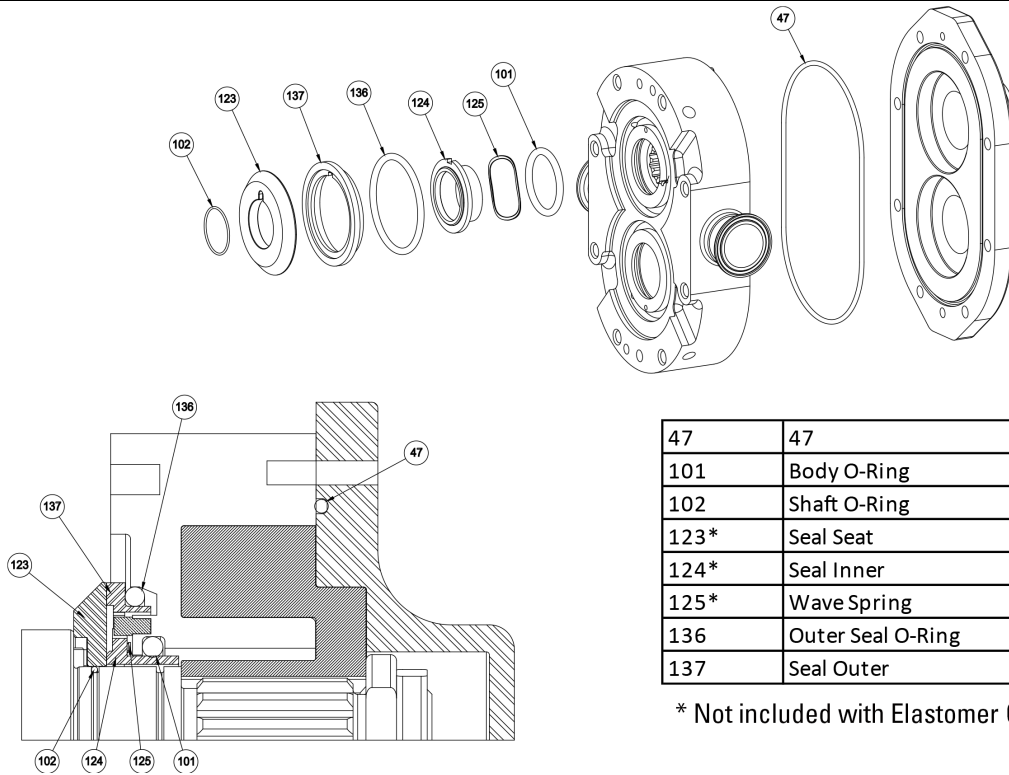
Ref #	Component Item No.	Description	Qty Per
54	P1CVRAD0002VS0	VENTED FRONT COVER, ZP1 - 6/15/18	1
55	P1GXAD0078000	RUBBER DIAPHRAGM, BUNA, ZP1 & ZP2 & ZP3 - 6/15/18/30/34/40	1
	<i>P1GXAD0078EP0</i>	<i>RUBBER DIAPHRAGM, EPDM, ZP1 & ZP2 & ZP3 - 6/15/18/30/34/40</i>	1
	<i>P1GXAD0078V00</i>	<i>RUBBER DIAPHRAGM, VITON, ZP1 & ZP2 & ZP3 - 6/15/18/30/34/40</i>	1
56	P1SXAD0077000	DIAPHRAGM BUSHING, ZP1 & ZP2 & ZP3 - 6/15/18/30/34/40	1
57	P1SXAD0073000	SPRING PLUNGER, ZP1 & ZP2 & ZP3 - 6/15/18/30/34/40	1
58	P1SXAD0076000	SPRING, MEDIUM, (LESS THAN 150 PSI), ZP1 & ZP2 & ZP3 - 6/15/18/30/34/40	1
	<i>P1SXABB076100</i>	<i>SPRING, HIGH, (MORE THAN 150 PSI), ZP1 & ZP2 & ZP3 - 6/15/18/30/34/40</i>	1
59	P1SXAD0075000	COVER NUT, ZP1 & ZP2 & ZP3 - 6/15/18/30/34/40	1
60	P1SXAD0074000	LOCKNUT, ZP1 & ZP2 & ZP3 - 6/15/18/30/34/40	1
61	P1SXAD0072000	ADJUSTING SCREW, ZP1 & ZP2 & ZP3 - 6/15/18/30/34/40	1



Single Mechanical Seal Kit

Optional Items Shown in ITALICS

Ref #	Component Item No.	Description	Qty Per
1	P1GX015000-N	SEAL KIT, SGL MECH, ELASTOMERS ONLY, BUNA - ZP1 6/15/18	1
	<i>P1GX015000-E</i>	<i>SEAL KIT, SGL MECH, ELASTOMERS ONLY, EPDM - ZP1 6/15/18</i>	<i>1</i>
	<i>P1GX015000-V</i>	<i>SEAL KIT, SGL MECH, ELASTOMERS ONLY, VITON - ZP1 6/15/18</i>	<i>1</i>
2	P1GS015000-N	SEAL KIT, SGL MECH, SC/CA, BUNA - ZP1 6/15/18	1
	<i>P1GS015000-E</i>	<i>SEAL KIT, SGL MECH, SC/CA, EPDM - ZP1 6/15/18</i>	<i>1</i>
	<i>P1GS015000-V</i>	<i>SEAL KIT, SGL MECH, SC/CA, VITON - ZP1 6/15/18</i>	<i>1</i>
3	P1GS015020-N	SEAL KIT, SGL MECH, CE/CA, BUNA - ZP1 6/15/18	1
	<i>P1GS015020-E</i>	<i>SEAL KIT, SGL MECH, CE/CA, EPDM - ZP1 6/15/18</i>	<i>1</i>
	<i>P1GS015020-V</i>	<i>SEAL KIT, SGL MECH, CE/CA, VITON - ZP1 6/15/18</i>	<i>1</i>
5	P1GS015010-N	SEAL KIT, SGL MECH, SC/SC, BUNA - ZP1 6/15/18	1
	<i>P1GS015010-E</i>	<i>SEAL KIT, SGL MECH, SC/SC, EPDM - ZP1 6/15/18</i>	<i>1</i>
	<i>P1GS015010-V</i>	<i>SEAL KIT, SGL MECH, SC/SC, VITON - ZP1 6/15/18</i>	<i>1</i>



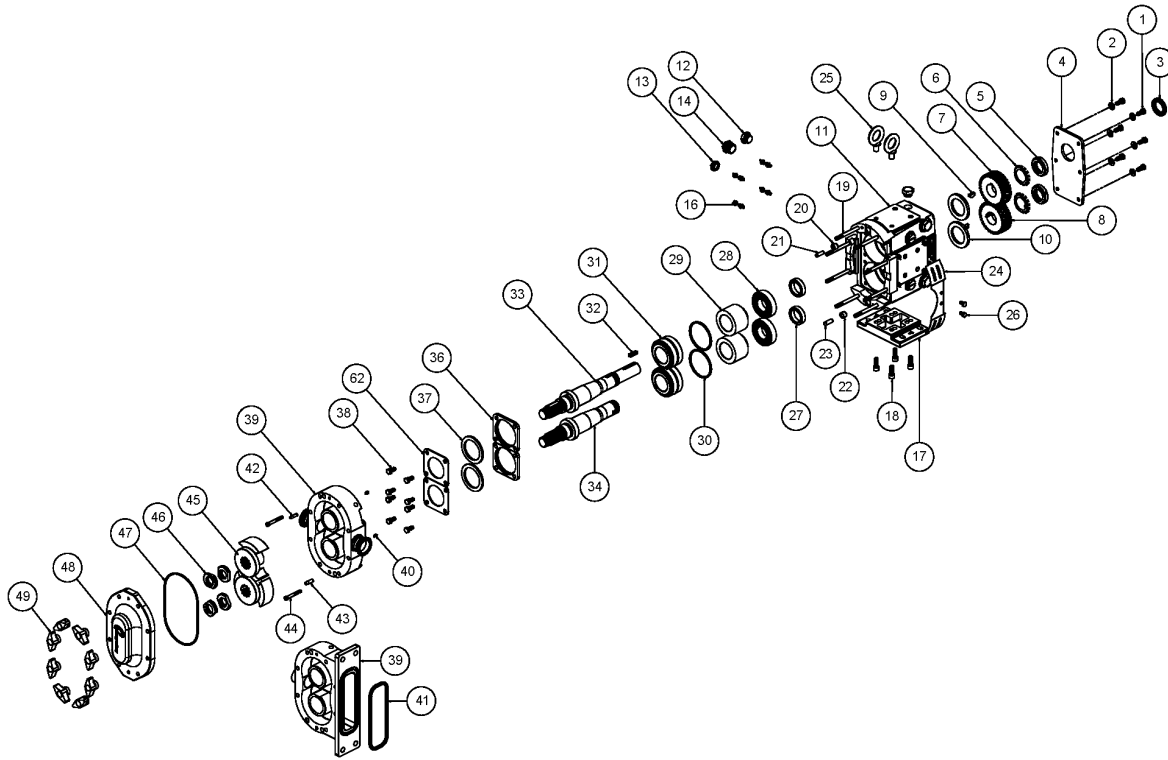
47	47
101	Body O-Ring
102	Shaft O-Ring
123*	Seal Seat
124*	Seal Inner
125*	Wave Spring
136	Outer Seal O-Ring
137	Seal Outer

* Not included with Elastomer Only Kits

Double Mechanical Seal Kit

Optional Items Shown in ITALICS

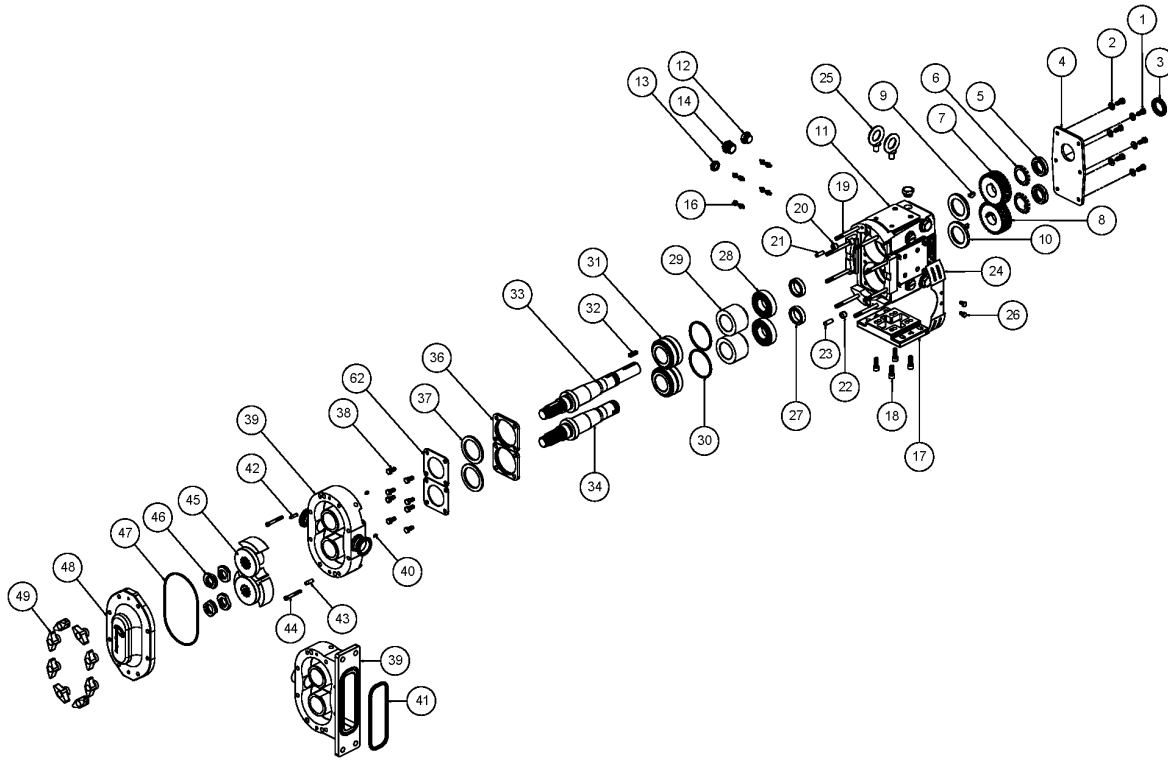
Ref #	Component Item No.	Description	Qty Per
1	P1GX015200-N	SEAL KIT, DBL MECH, ELASTOMERS ONLY, BUNA - ZP1 6/15/18	1
	<i>P1GX015200-E</i>	<i>SEAL KIT, DBL MECH, ELASTOMERS ONLY, EPDM - ZP1 6/15/18</i>	<i>1</i>
	<i>P1GX015200-V</i>	<i>SEAL KIT, DBL MECH, ELASTOMERS ONLY, VITON - ZP1 6/15/18</i>	<i>1</i>
2	P1GS015200-N	SEAL KIT, DBL MECH, SC/CA/CA, BUNA - ZP1 6/15/18	1
	<i>P1GS015200-E</i>	<i>SEAL KIT, DBL MECH, SC/CA/CA, EPDM - ZP1 6/15/18</i>	<i>1</i>
	<i>P1GS015200-V</i>	<i>SEAL KIT, DBL MECH, SC/CA/CA, VITON - ZP1 6/15/18</i>	<i>1</i>
3	P1GS015220-N	SEAL KIT, DBL MECH, CE/CA/CA, BUNA - ZP1 6/15/18	1
	<i>P1GS015220-E</i>	<i>SEAL KIT, DBL MECH, CE/CA/CA, EPDM - ZP1 6/15/18</i>	<i>1</i>
	<i>P1GS015220-V</i>	<i>SEAL KIT, DBL MECH, CE/CA/CA, VITON - ZP1 6/15/18</i>	<i>1</i>
5	P1GS015210-N	SEAL KIT, DBL MECH, SC/SC/CA, BUNA - ZP1 6/15/18	1
	<i>P1GS015210-E</i>	<i>SEAL KIT, DBL MECH, SC/SC/CA, EPDM - ZP1 6/15/18</i>	<i>1</i>
	<i>P1GS015210-V</i>	<i>SEAL KIT, DBL MECH, SC/SC/CA, VITON - ZP1 6/15/18</i>	<i>1</i>



Exploded View

Optional Items Shown in ITALICS

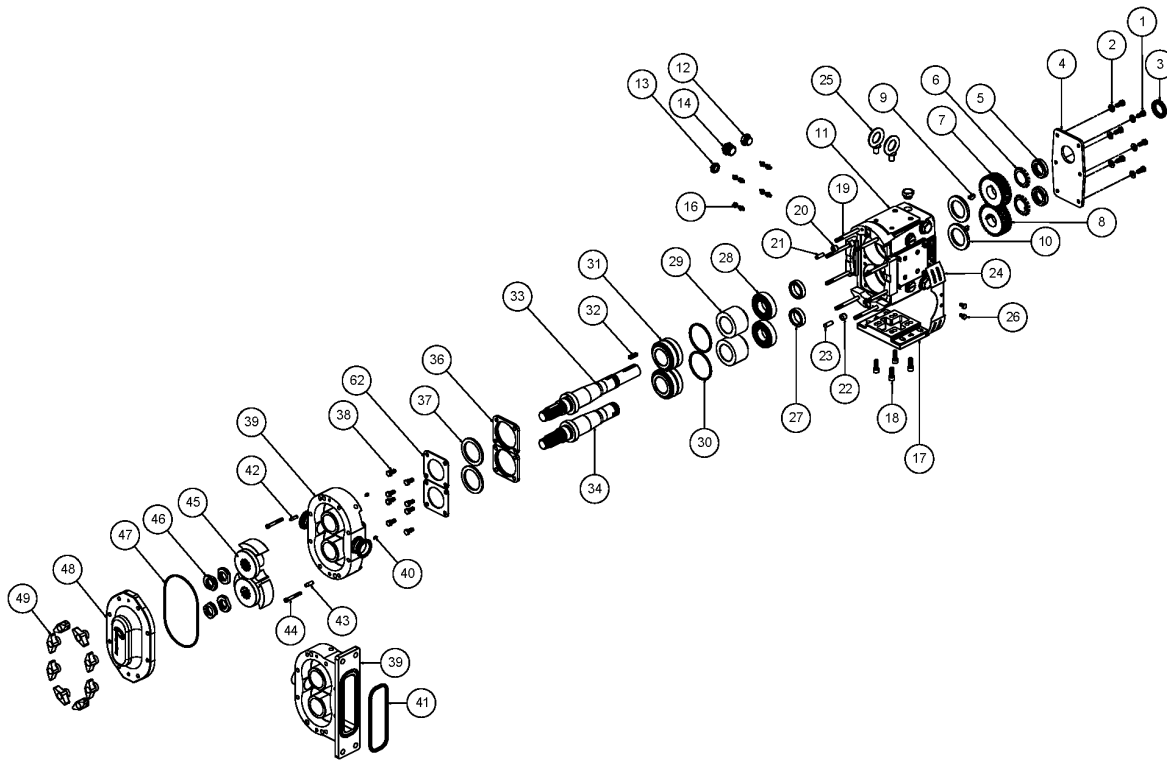
Ref #	Component Item No.	Description	Qty Per
1	P1GX30-58	HEX HEAD CAP SCREW G.CASE COVER, SS - ZP1 & ZP2 6/15/18	6
2	P1GX43-108	FLAT WASHER, G CASE COVER, 1/4 X 5/8 OD, SS - ZP1 & ZP2 6/15	6
3	P1GX000030016-ND	OIL SEAL, PTFE, GEAR CASE COVER - ZP1 & ZP2 6/15/18	1
	<i>P1GX000030016</i>	<i>OIL SEAL, GEAR CASE COVER - ZP1 & ZP2 6/15/18</i>	1
4	P1SX020106000	GEAR CASE COVER, SS - ZP1 & ZP2 6/15/18/24	1
5	P1GXSTD236005	GEAR LOCK NUT - ZP1 & ZP2 6/15/18	2
6	P1GXSTD136005	GEAR LOCKWASHER ZP1 & ZP2 6/15/18	2
7	P1GX015007001	GEAR DRIVE SHAFT ZP1 & ZP2 6/15/18	1
8	P1GX015007002	GEAR SHORT SHAFT ZP1 & ZP2 6/15/18	1
9	P1GX015037000	GEAR KEY - ZP1 & ZP2 6/15/18/24	2
10	P1GX000030017	OIL SEAL, REAR - ZP1 & ZP2 6/15/18	2
11	P1SX020005000	GEAR CASE, SS - ZP1 & ZP2 6/15/18/24	1
12	P1GX115798	PLUG,HEX,20M X1.5,W/NBR SEAL	5
13	P1GX115799	GAUGE,OIL,LVL,INDIC,M-20X1.5	1
14	P1GX20PLUG-SS	CLEANOUT PLUG, SS - ZP1 6/15/18	4
	<i>P1GX20PLUG</i>	<i>CLEANOUT PLUG, YELLOW - ZP1 6/15/18</i>	4
16	P1GXB0092001	GREASE FITTING, THREADED 1/4"-28 TAPER, SS	8
17	P1SX020110000	GEAR CASE BASE, SS - ZP1 & ZP2 6/15/18/24	1
18	P1GX15SHCSGCB	SHCS, G. CASE BASE, (18-8 SS) 5/16-18 X 3/4 - ZP1 & ZP2 6/15	4
19	P1GXAD0011000	STUD, ZP1 6/15	8
	<i>P1GXAD0011J00</i>	<i>STUD, JACKETED COVER, ZP1 6/15</i>	8
20	P1GXAD0116000	UPPER DOWEL BUSHING - ZP1 & ZP2 6/15/18	1
21	P1GX124581	DOWEL PIN - ZP1 & ZP2 6/15/18/24	1
22	P1GXAD0116100	LOWER DOWEL BUSHING - ZP1 & ZP2 6/15/18	1
23	P1GX124582	DOWEL PIN - ZP1 & ZP2 45/60/64/130/134	1
24	P1SX020CEGUARD	GUARD,6-24,(CE),GC,SS	2
26	P1GX000CENAIL	DRIVENAIL,ZP,GEAR CASE GUARDS	4



Exploded View

Optional Items Shown in ITALICS

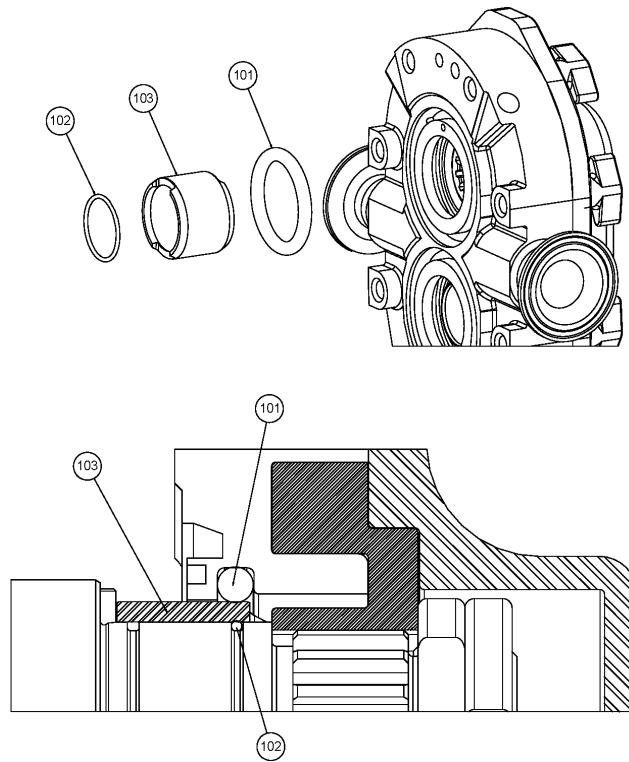
Ref #	Component Item No.	Description	Qty Per
27	P1GX015055000	GEAR TO REAR BEARING SPACER - ZP1 & ZP2 6/15/18/24	2
28	P1GX015035000	REAR BEARING - ZP1 & ZP2 6/14/15/18/24	2
29	P1GX101814	BEARING SPACER - ZP1 & ZP2 6/15/18/24	2
30	P1GX117889	SHIM KIT - ZP1 & ZP2 6/15/18/24	2
31	P1GX101714	FRONT BEARING - ZP1 & ZP2 6/14/15/18/24	2
32	P1GX000037001	DRIVE KEY, 3/16 SQ. X 1-1/8" - ZP1 & ZP2 6/15/18	1
33	P1SX114642	DRIVE SHAFT (17-4PH) - ZP1 6/15 (TAPER)	1
34	P1SX114643	SHORT SHAFT (17-4PH) - ZP1 6/15 (TAPER)	1
36	P1SX120332	BEARING RETAINER, NEW STYLE 3A - ZP1 & ZP2 6/15/18/24	2
37	P1GX121679-ND	GREASE SEAL, PTFE, FRONT BEARING RET. 3A - ZP1 & ZP2 6/15/18	2
	<i>P1GX121679</i>	<i>GREASE SEAL FRONT BEARING RET. 3A - ZP1 & ZP2 6/15/18</i>	2
38	P1GX30-58	HEX HEAD CAP SCREW G.CASE COVER, SS - ZP1 & ZP2 6/15/18	8
39	P1BDY006001000	BODY - ZP1 6	1
	<i>P1BDY006001F00</i>	<i>BODY - ZP1 6 - FLUSHED</i>	1
40	P1GX015126000	STOP PIN, SEAL - ZP1 & ZP2 6/15	2
42	P1GX124581	DOWEL PIN - ZP1 & ZP2 6/15/18/24	1
43	P1GX124582	DOWEL PIN - ZP1 & ZP2 45/60/64/130/134	1
44	P1GX30-523	CAPSCRW,SH,1/4-20X1-1/4,18-8SS SCKT HD	2
45	P1RTB006010000	ROTOR TWIN BLADE - ALLOY 88 - ZP1 6	2
	<i>P1RTB00601000H</i>	<i>ROTOR TWIN BLADE - ALLOY 88 - ZP1 6 - HOT CLEARANCE</i>	2
	<i>P1RTB0060100HC</i>	<i>ROTOR TWIN BLADE - ALLOY 88 - ZP1 6 - HOT CHOCOLATE</i>	2
	<i>P1RTB006010200</i>	<i>ROTOR TWIN BLADE - 316L - ZP1 6</i>	2
46	P1SXAD0052001	ROTOR JAM NUT - ZP1 6/15/18/24	4
47	N70252	O-RING, COVER (BUNA) - ZP1 6/15/18/24	1
	<i>S75252</i>	<i>O-RING, COVER (SILICONE) - ZP1 6/15/18/24</i>	1
	<i>V70252</i>	<i>O-RING, COVER (VITON) - ZP1 6/15/18/24</i>	1
	<i>E70252</i>	<i>O-RING, COVER (EPDM) - ZP1 6/15/18/24</i>	1



Exploded View

Optional Items Shown in ITALICS

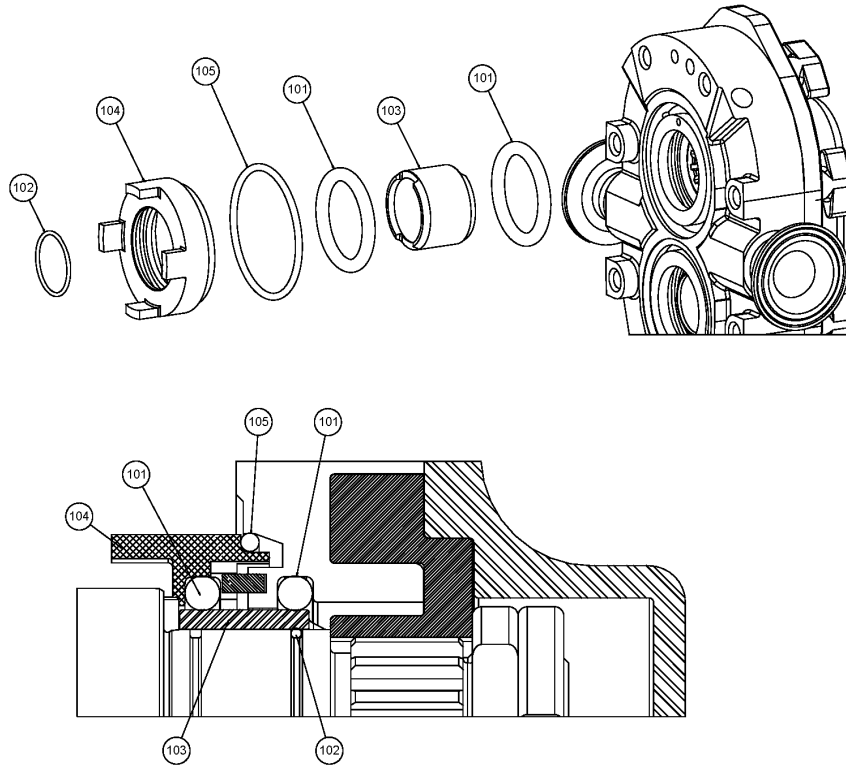
Ref #	Component Item No.	Description	Qty Per
48	P1CVRAD0002S00	COVER - ZP1 6/15/18	1
	<i>P1CVRAD0002J10</i>	<i>COVER, JACKETED - ZP1 6/15/18</i>	<i>1</i>
49	P1GX105850	WING NUT - ZP1 & ZP2 6/15/18	8
	<i>P1SX108369</i>	<i>COVER HEX NUT - ZP1 & ZP2 6/15/18/24</i>	<i>8</i>
62	P1SX020SPLATE	BEARING RETAINER SPLASH PLATE - ZP1 & ZP2 6/15/18	2
900	P1GXAD0096001	PICK,COMBO,O-RING ZP1 ZP2	1
901	P1GX000140003	OIL,460FG,MAGNAPLT,1GAL ZP	1
902	P1GX000140002	GREASE,HALO GUARD,14OZ TUBE ZP	1
903	P1GXRTVSEAL	SILICONE,DOW,732,30Z ZP1 ZP2	1
904	P1GX109895	WRENCH,6-24,RTR NUT ZP1 6-24	1



Single O-Ring Seal

Optional Items Shown in ITALICS

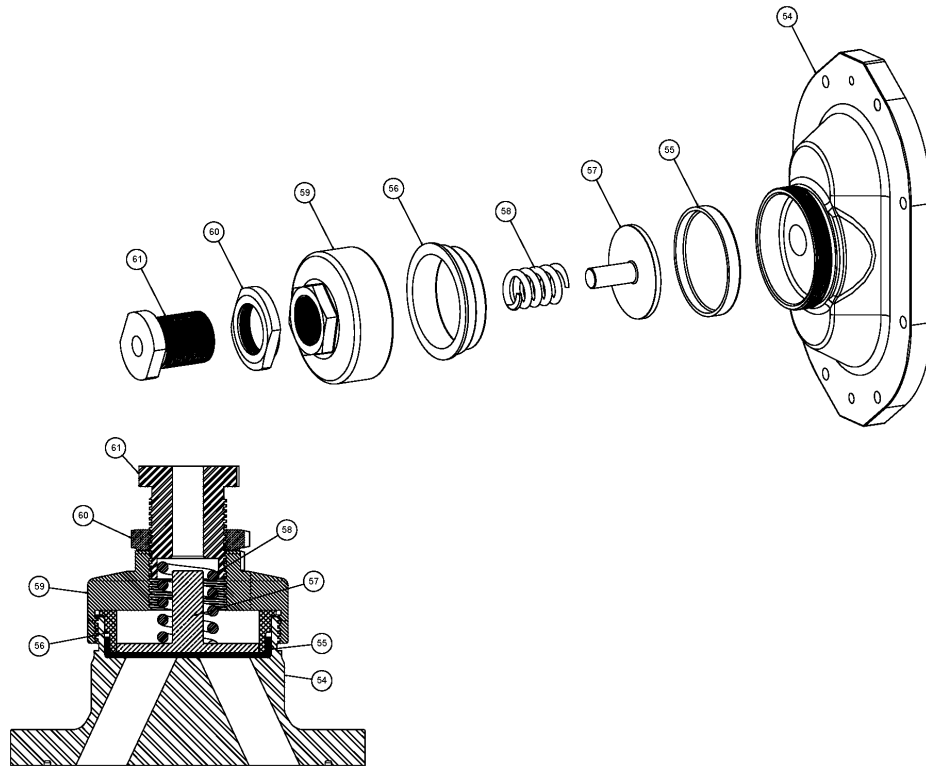
Ref #	Component Item No.	Description	Qty Per
101	P1GXAD0079000	O-RING, BODY (BUNA) - ZP1 6/15/18	2
	<i>P1GXAD0079002</i>	<i>O-RING, BODY (EPDM) - ZP1 6/15/18</i>	2
	<i>P1GXAD0079V00</i>	<i>O-RING, BODY (VITON) - ZP1 6/15/18</i>	2
	<i>P1GXAD0079SC0</i>	<i>O-RING, BODY (SILICONE) - ZP1 6/15/18</i>	2
102	N70022	O-RING, SHAFT (BUNA) - ZP1 6/15/18	2
	<i>E70022</i>	<i>O-RING, SHAFT (EPDM) - ZP1 6/15/18</i>	2
	<i>V70022</i>	<i>O-RING, SHAFT (VITON) - ZP1 6/15/18</i>	2
	<i>S75022</i>	<i>O-RING, SHAFT (SILICONE) - ZP1 6/15/18</i>	2
103	P1SX015098001	SLEEVE (17-4PH H900) ZP1 6/15/18 - SLOTTED	2
	<i>P1SX015098004</i>	<i>ZIRCONIA SLEEVE - ZP1 6/15/18</i>	2
	<i>P1SX015098002</i>	<i>CHROME OXIDE SLEEVE (316L) - ZP1 6/15/18</i>	2



Double O-Ring Seal

Optional Items Shown in ITALICS

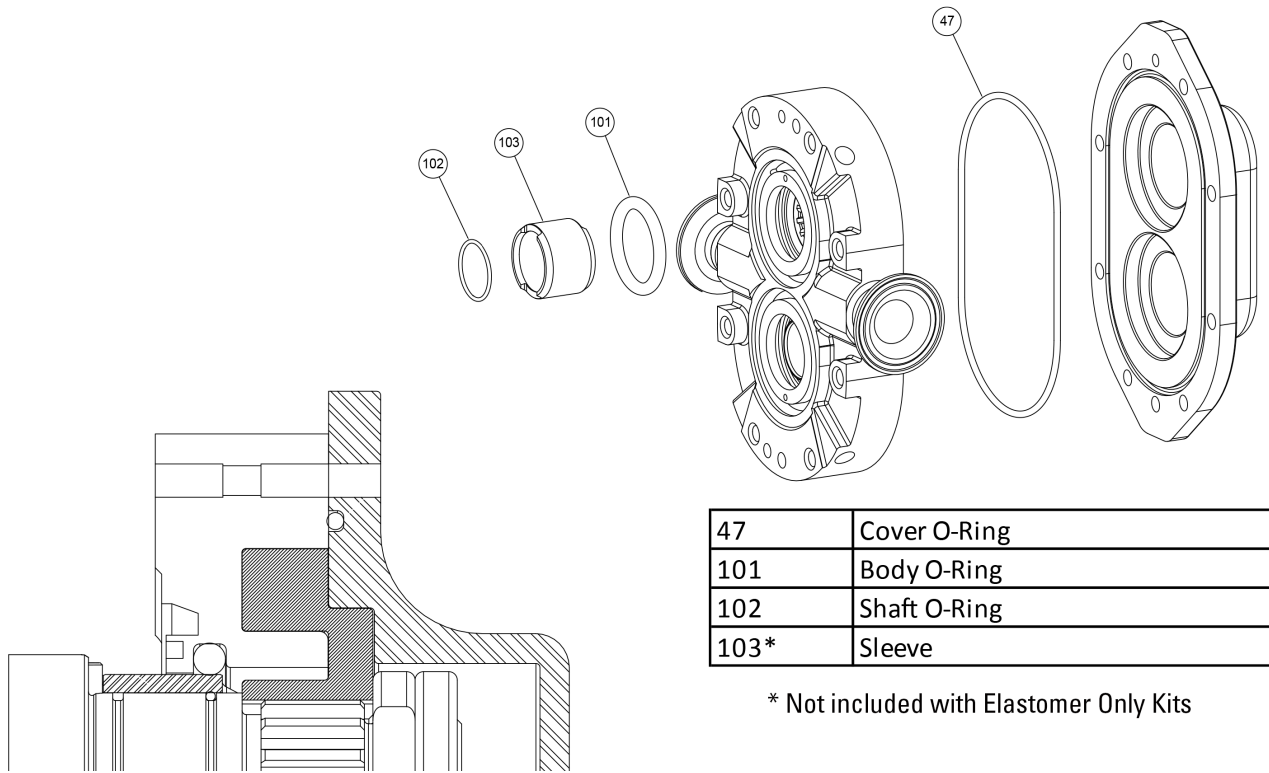
Ref #	Component Item No.	Description	Qty Per
101	P1GXAD0079000	O-RING, BODY (BUNA) - ZP1 6/15/18	4
	<i>P1GXAD0079002</i>	<i>O-RING, BODY (EPDM) - ZP1 6/15/18</i>	4
	<i>P1GXAD0079V00</i>	<i>O-RING, BODY (VITON) - ZP1 6/15/18</i>	4
	<i>P1GXAD0079SC0</i>	<i>O-RING, BODY (SILICONE) - ZP1 6/15/18</i>	4
102	N70022	O-RING, SHAFT (BUNA) - ZP1 6/15/18	2
	<i>E70022</i>	<i>O-RING, SHAFT (EPDM) - ZP1 6/15/18</i>	2
	<i>V70022</i>	<i>O-RING, SHAFT (VITON) - ZP1 6/15/18</i>	2
	<i>S75022</i>	<i>O-RING, SHAFT (SILICONE) - ZP1 6/15/18</i>	2
103	P1SX015098001	SLEEVE (17-4PH H900) ZP1 6/15/18 - SLOTTED	2
	<i>P1SX015098004</i>	<i>ZIRCONIA SLEEVE - ZP1 6/15/18</i>	2
	<i>P1SX015098002</i>	<i>CHROME OXIDE SLEEVE (316L) - ZP1 6/15/18</i>	2
104	P1SX015034002	O-RING SEAL CARRIER, 3A NEW STYLE - ZP1 6/15/18/24	2
105	N50228	O-RING, OUTER SEAL (BUNA) - ZP1 6/15/18/24	2
	<i>E50228</i>	<i>O-RING, OUTER SEAL (EPDM) - ZP1 6/15/18/24</i>	2
	<i>V50228</i>	<i>O-RING, OUTER SEAL (VITON) - ZP1 6/15/18/24</i>	2



Pressure Relief Cover

Optional Items Shown in ITALICS

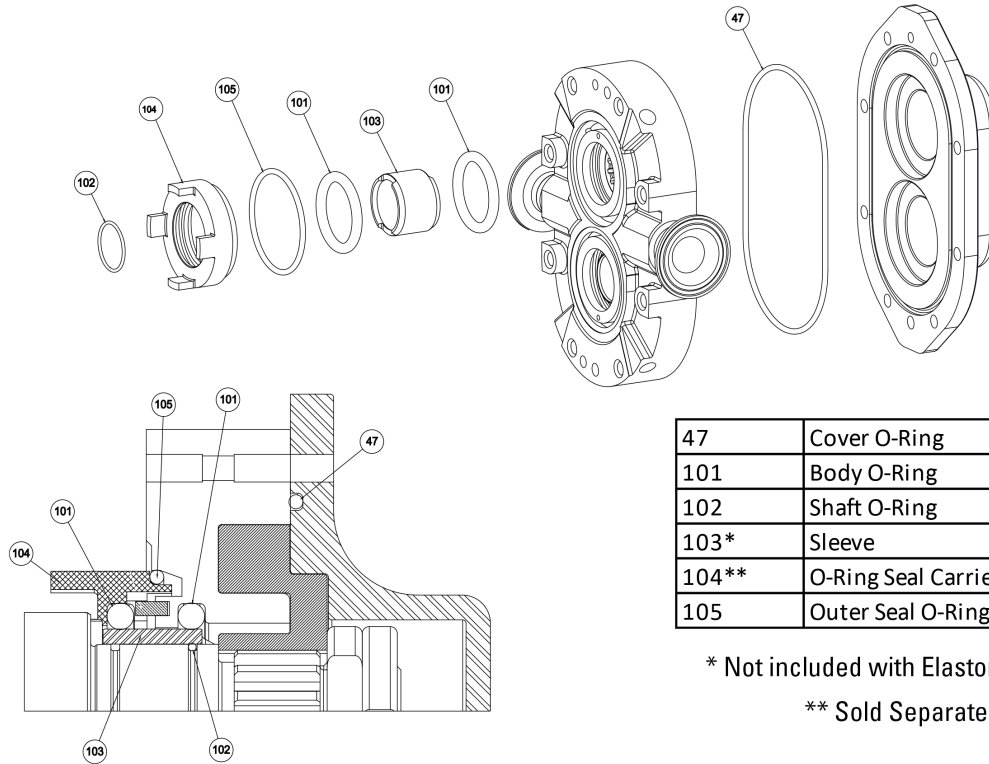
Ref #	Component Item No.	Description	Qty Per
54	P1CVRAD0002VS0	VENTED FRONT COVER, ZP1 - 6/15/18	1
55	P1GXAD0078000	RUBBER DIAPHRAGM, BUNA, ZP1 & ZP2 & ZP3 - 6/15/18/30/34/40	1
	<i>P1GXAD0078EP0</i>	<i>RUBBER DIAPHRAGM, EPDM, ZP1 & ZP2 & ZP3 - 6/15/18/30/34/40</i>	1
	<i>P1GXAD0078V00</i>	<i>RUBBER DIAPHRAGM, VITON, ZP1 & ZP2 & ZP3 - 6/15/18/30/34/40</i>	1
56	P1SXAD0077000	DIAPHRAGM BUSHING, ZP1 & ZP2 & ZP3 - 6/15/18/30/34/40	1
57	P1SXAD0073000	SPRING PLUNGER, ZP1 & ZP2 & ZP3 - 6/15/18/30/34/40	1
58	P1SXAD0076000	SPRING, MEDIUM, (LESS THAN 150 PSI), ZP1 & ZP2 & ZP3 - 6/15/18/30/34/40	1
	<i>P1SXABB076100</i>	<i>SPRING, HIGH, (MORE THAN 150 PSI), ZP1 & ZP2 & ZP3 - 6/15/18/30/34/40</i>	1
59	P1SXAD0075000	COVER NUT, ZP1 & ZP2 & ZP3 - 6/15/18/30/34/40	1
60	P1SXAD0074000	LOCKNUT, ZP1 & ZP2 & ZP3 - 6/15/18/30/34/40	1
61	P1SXAD0072000	ADJUSTING SCREW, ZP1 & ZP2 & ZP3 - 6/15/18/30/34/40	1



Single O-Ring Seal Kit

Optional Items Shown in ITALICS

Ref #	Component Item No.	Description	Qty Per
1	P1GX015000-N	SEAL KIT, SGL O-RING, ELASTOMERS ONLY, BUNA - ZP1 6/15/18	1
	<i>P1GX015000-E</i>	<i>SEAL KIT, SGL O-RING, ELASTOMERS ONLY, EPDM - ZP1 6/15/18</i>	<i>1</i>
	<i>P1GX015000-V</i>	<i>SEAL KIT, SGL O-RING, ELASTOMERS ONLY, VITON - ZP1 6/15/18</i>	<i>1</i>
2	P1GS01500S-N	SEAL KIT, SGL O-RING, 17-4 SS SLVS, BUNA - ZP1 6/15/18	1
	<i>P1GS01500S-E</i>	<i>SEAL KIT, SGL O-RING, 17-4 SS SLVS, EPDM - ZP1 6/15/18</i>	<i>1</i>
	<i>P1GS01500S-V</i>	<i>SEAL KIT, SGL O-RING, 17-4 SS SLVS, VITON - ZP1 6/15/18</i>	<i>1</i>
3	P1GS01500Z-N	SEAL KIT, SGL O-RING, ZIRCONIA SLVS, BUNA - ZP1 6/15/18	1
	<i>P1GS01500Z-E</i>	<i>SEAL KIT, SGL O-RING, ZIRCONIA SLVS, EPDM - ZP1 6/15/18</i>	<i>1</i>
	<i>P1GS01500Z-V</i>	<i>SEAL KIT, SGL O-RING, ZIRCONIA SLVS, VITON - ZP1 6/15/18</i>	<i>1</i>



47	Cover O-Ring
101	Body O-Ring
102	Shaft O-Ring
103*	Sleeve
104**	O-Ring Seal Carrier
105	Outer Seal O-Ring

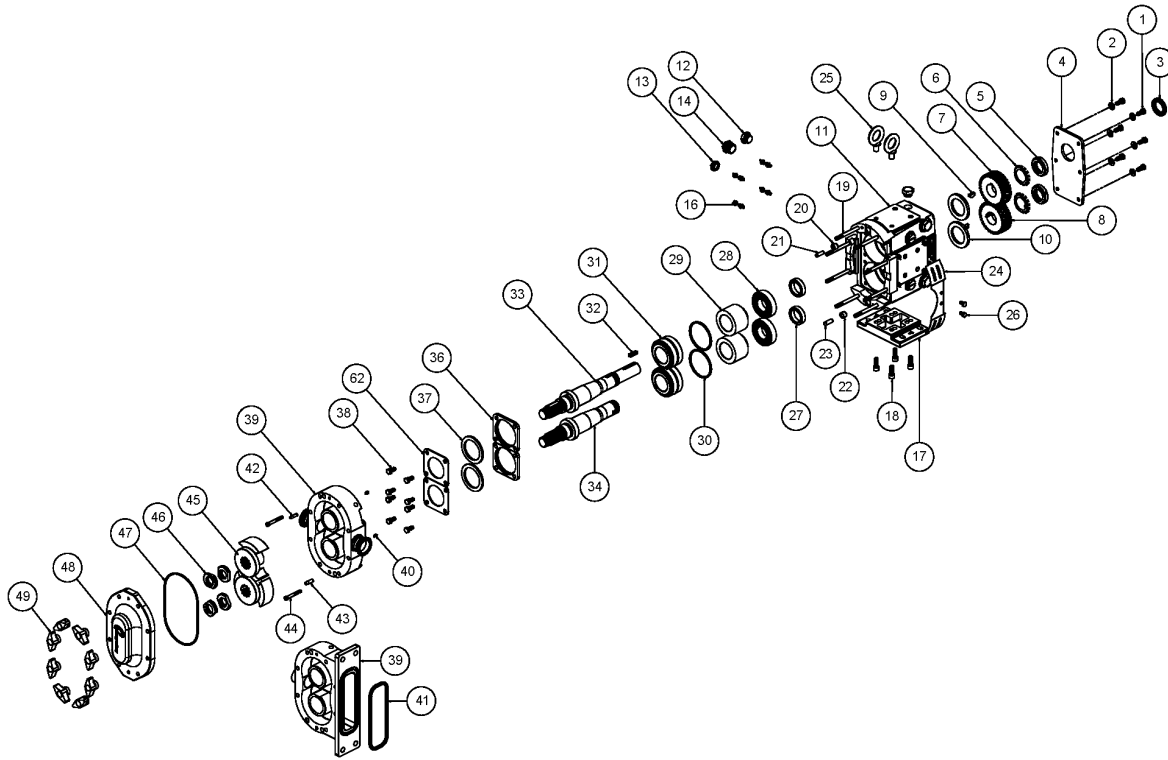
* Not included with Elastomer Only Kits

** Sold Separately

Double O-Ring Seal Kit

Optional Items Shown in ITALICS

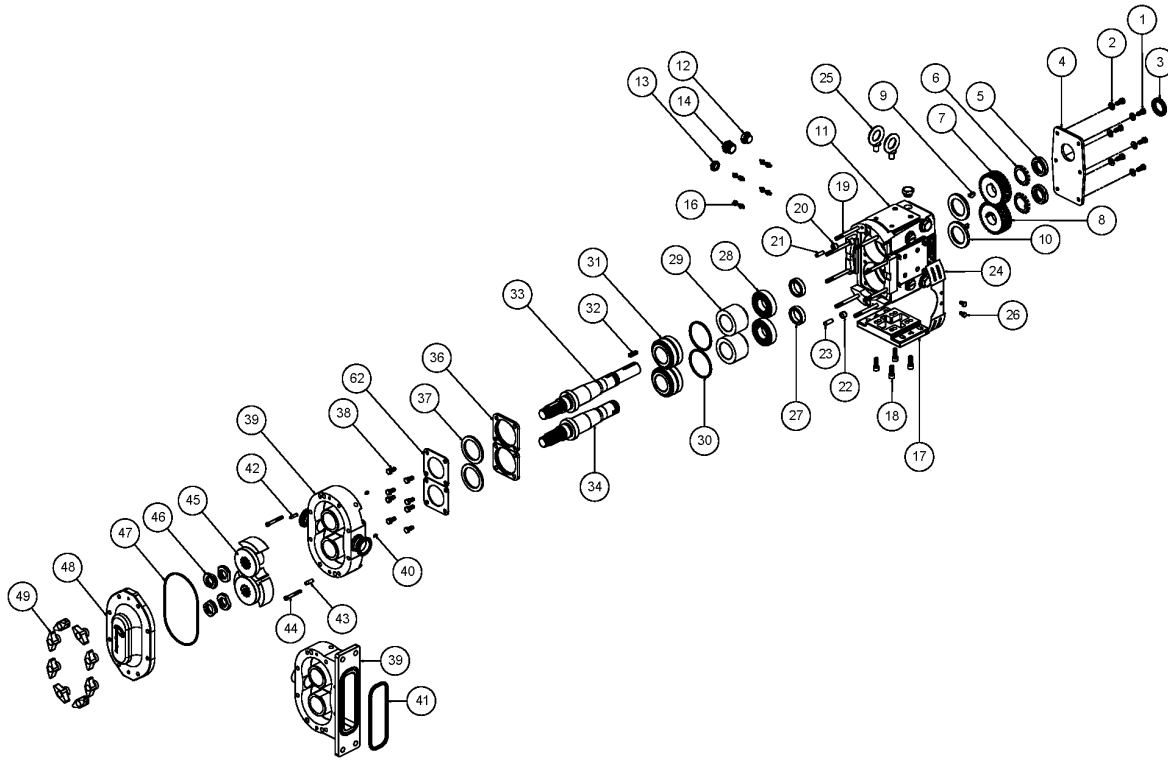
Ref #	Component Item No.	Description	Qty Per
1	P1GX015200-N	SEAL KIT, DBL O-RING, ELASTOMERS ONLY, BUNA - ZP1 6/15/18	1
	<i>P1GX015200-E</i>	<i>SEAL KIT, DBL O-RING, ELASTOMERS ONLY, EPDM - ZP1 6/15/18</i>	<i>1</i>
	<i>P1GX015200-V</i>	<i>SEAL KIT, DBL O-RING, ELASTOMERS ONLY, VITON - ZP1 6/15/18</i>	<i>1</i>
2	P1GS01520S-N	SEAL KIT, DBL O-RING, 17-4 SS SLVS, BUNA - ZP1 6/15/18	1
	<i>P1GS01520S-E</i>	<i>SEAL KIT, DBL O-RING, 17-4 SS SLVS, EPDM - ZP1 6/15/18</i>	<i>1</i>
	<i>P1GS01520S-V</i>	<i>SEAL KIT, DBL O-RING, 17-4 SS SLVS, VITON - ZP1 6/15/18</i>	<i>1</i>
3	P1GS01520Z-N	SEAL KIT, DBL O-RING, ZIRCONIA SLVS, BUNA - ZP1 6/15/18	1
	<i>P1GS01520Z-E</i>	<i>SEAL KIT, DBL O-RING, ZIRCONIA SLVS, EPDM - ZP1 6/15/18</i>	<i>1</i>
	<i>P1GS01520Z-V</i>	<i>SEAL KIT, DBL O-RING, ZIRCONIA SLVS, VITON - ZP1 6/15/18</i>	<i>1</i>



Exploded View

Optional Items Shown in ITALICS

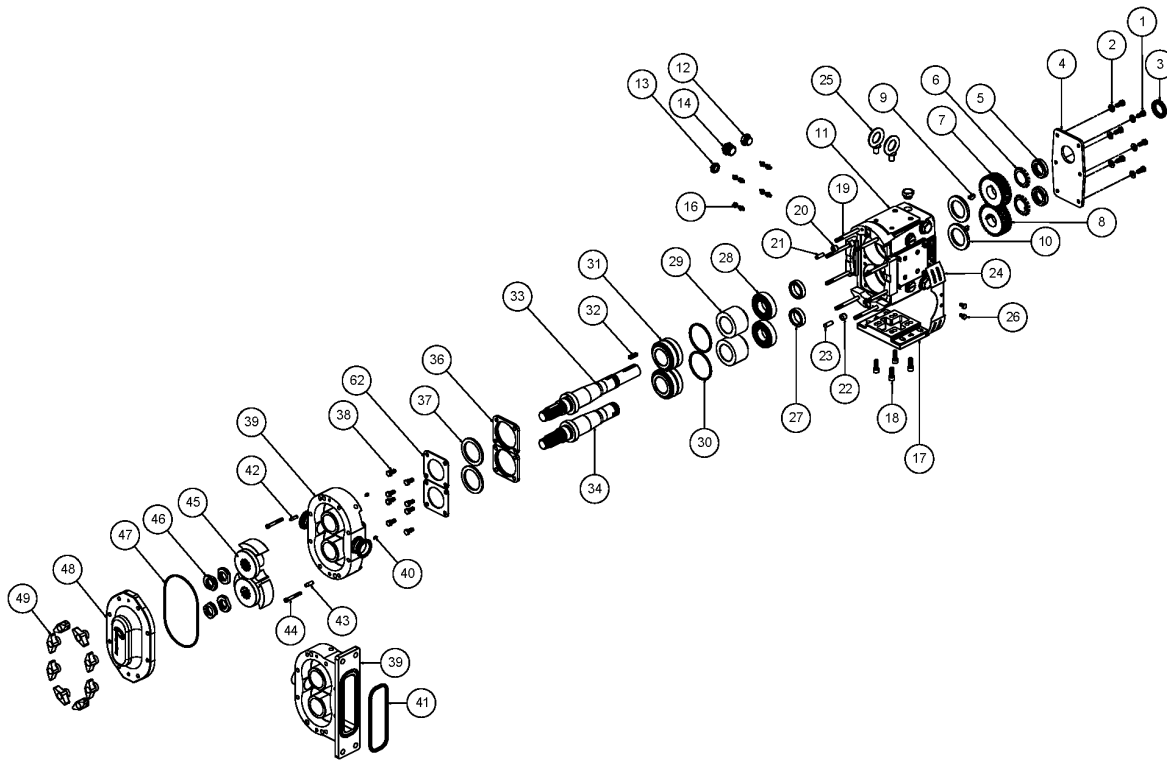
Ref #	Component Item No.	Description	Qty Per
1	P1GX30-58	HEX HEAD CAP SCREW G.CASE COVER, SS - ZP1 & ZP2 6/15/18	6
2	P1GX43-108	FLAT WASHER, G CASE COVER, 1/4 X 5/8 OD, SS - ZP1 & ZP2 6/15	6
3	P1GX000030016-ND	OIL SEAL, PTFE, GEAR CASE COVER - ZP1 & ZP2 6/15/18	1
	<i>P1GX000030016</i>	<i>OIL SEAL, GEAR CASE COVER - ZP1 & ZP2 6/15/18</i>	1
4	P1SX020106000	GEAR CASE COVER, SS - ZP1 & ZP2 6/15/18/24	1
5	P1GXSTD236005	GEAR LOCK NUT - ZP1 & ZP2 6/15/18	2
6	P1GXSTD136005	GEAR LOCKWASHER ZP1 & ZP2 6/15/18	2
7	P1GX015007001	GEAR DRIVE SHAFT ZP1 & ZP2 6/15/18	1
8	P1GX015007002	GEAR SHORT SHAFT ZP1 & ZP2 6/15/18	1
9	P1GX015037000	GEAR KEY - ZP1 & ZP2 6/15/18/24	2
10	P1GX000030017	OIL SEAL, REAR - ZP1 & ZP2 6/15/18	2
11	P1SX020005000	GEAR CASE, SS - ZP1 & ZP2 6/15/18/24	1
12	P1GX115798	PLUG,HEX,20M X1.5,W/NBR SEAL	5
13	P1GX115799	GAUGE,OIL,LVL,INDIC,M-20X1.5	1
14	P1GX20PLUG-SS	CLEANOUT PLUG, SS - ZP1 6/15/18	4
	<i>P1GX20PLUG</i>	<i>CLEANOUT PLUG, YELLOW - ZP1 6/15/18</i>	4
16	P1GXBD0092001	GREASE FITTING, THREADED 1/4"-28 TAPER, SS	8
17	P1SX020110000	GEAR CASE BASE, SS - ZP1 & ZP2 6/15/18/24	1
18	P1GX15SHCSGCB	SHCS, G. CASE BASE, (18-8 SS) 5/16-18 X 3/4 - ZP1 & ZP2 6/15	4
19	P1GXAD0011000	STUD, ZP1 6/15	8
	<i>P1GXAD0011J00</i>	<i>STUD, JACKETED COVER, ZP1 6/15</i>	8
20	P1GXAD0116000	UPPER DOWEL BUSHING - ZP1 & ZP2 6/15/18	1
21	P1GX124581	DOWEL PIN - ZP1 & ZP2 6/15/18/24	1
22	P1GXAD0116100	LOWER DOWEL BUSHING - ZP1 & ZP2 6/15/18	1
23	P1GX124582	DOWEL PIN - ZP1 & ZP2 45/60/64/130/134	1
24	P1SX020CEGUARD	GUARD,6-24,(CE),GC,SS	2
26	P1GX000CENAIL	DRIVENAIL,ZP,GEAR CASE GUARDS	4



Exploded View

Optional Items Shown in ITALICS

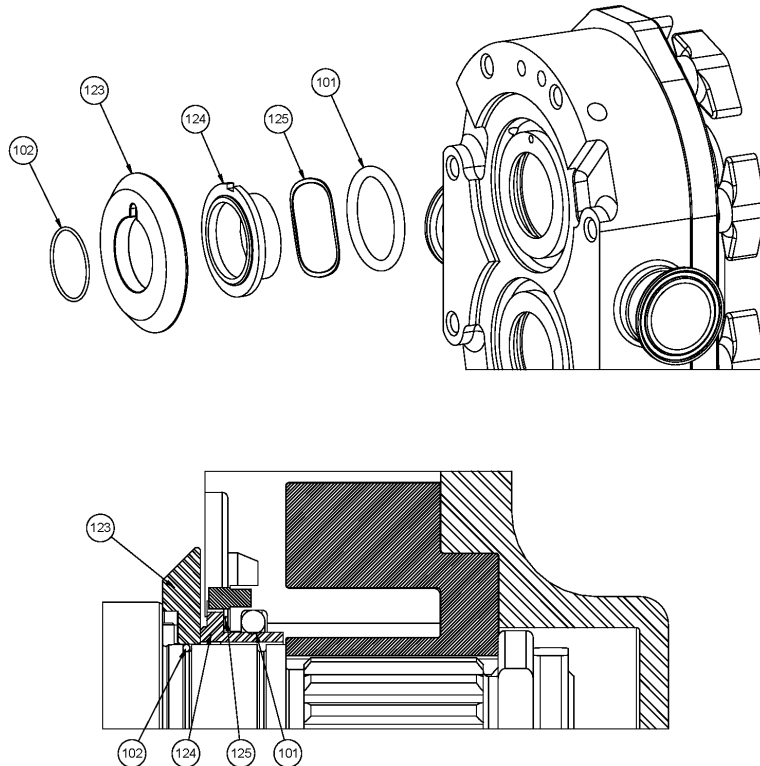
Ref #	Component Item No.	Description	Qty Per
27	P1GX015055000	GEAR TO REAR BEARING SPACER - ZP1 & ZP2 6/15/18/24	2
28	P1GX015035000	REAR BEARING - ZP1 & ZP2 6/14/15/18/24	2
29	P1GX101814	BEARING SPACER - ZP1 & ZP2 6/15/18/24	2
30	P1GX117889	SHIM KIT - ZP1 & ZP2 6/15/18/24	2
31	P1GX101714	FRONT BEARING - ZP1 & ZP2 6/14/15/18/24	2
32	P1GX000037001	DRIVE KEY, 3/16 SQ. X 1-1/8" - ZP1 & ZP2 6/15/18	1
33	P1SX114642	DRIVE SHAFT (17-4PH) - ZP1 6/15 (TAPER)	1
34	P1SX114643	SHORT SHAFT (17-4PH) - ZP1 6/15 (TAPER)	1
36	P1SX120332	BEARING RETAINER, NEW STYLE 3A - ZP1 & ZP2 6/15/18/24	2
37	P1GX121679-ND	GREASE SEAL, PTFE, FRONT BEARING RET. 3A - ZP1 & ZP2 6/15/18	2
	<i>P1GX121679</i>	<i>GREASE SEAL FRONT BEARING RET. 3A - ZP1 & ZP2 6/15/18</i>	2
38	P1GX30-58	HEX HEAD CAP SCREW G.CASE COVER, SS - ZP1 & ZP2 6/15/18	8
39	P1BDY015001000	BODY - ZP1 15	1
	<i>P1BDY015001F00</i>	<i>BODY - ZP1 15 - FLUSHED</i>	1
40	P1GX015126000	STOP PIN, SEAL - ZP1 & ZP2 6/15	2
42	P1GX124581	DOWEL PIN - ZP1 & ZP2 6/15/18/24	1
43	P1GX124582	DOWEL PIN - ZP1 & ZP2 45/60/64/130/134	1
44	P1GX30-523	CAPSCRW,SH,1/4-20X1-1/4,18-8SS SCKT HD	2
45	P1RTB015010000	ROTOR TWIN BLADE - ALLOY 88 - ZP1 15	2
	<i>P1RTB01501000H</i>	<i>ROTOR TWIN BLADE - ALLOY 88 - ZP1 15 - HOT CLEARANCE</i>	2
	<i>P1RTB0150100HC</i>	<i>ROTOR TWIN BLADE - ALLOY 88 - ZP1 15 - HOT CHOCOLATE</i>	2
	<i>P1RTB015010200</i>	<i>ROTOR TWIN BLADE - 316L - ZP1 15</i>	2
46	P1SXAD0052001	ROTOR JAM NUT - ZP1 6/15/18/24	4
47	N70252	O-RING, COVER (BUNA) - ZP1 6/15/18/24	1
	<i>S75252</i>	<i>O-RING, COVER (SILICONE) - ZP1 6/15/18/24</i>	1
	<i>V70252</i>	<i>O-RING, COVER (VITON) - ZP1 6/15/18/24</i>	1
	<i>E70252</i>	<i>O-RING, COVER (EPDM) - ZP1 6/15/18/24</i>	1



Exploded View

Optional Items Shown in ITALICS

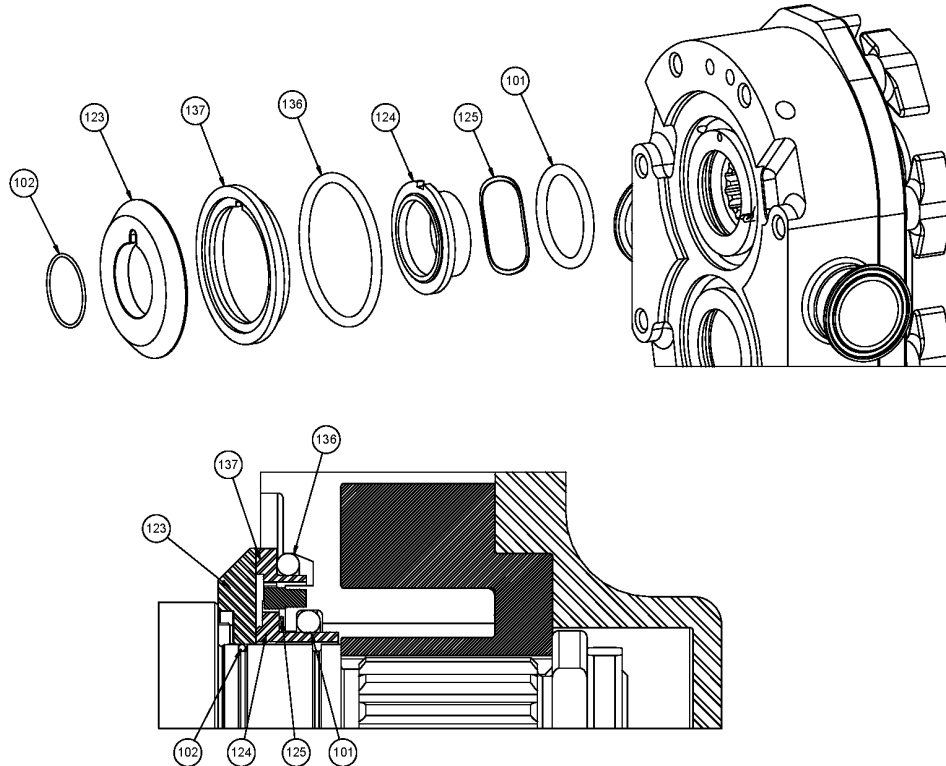
Ref #	Component Item No.	Description	Qty Per
48	P1CVRAD0002S00	COVER - ZP1 6/15/18	1
	<i>P1CVRAD0002J10</i>	<i>COVER, JACKETED - ZP1 6/15/18</i>	<i>1</i>
49	P1GX105850	WING NUT - ZP1 & ZP2 6/15/18	8
	<i>P1SX108369</i>	<i>COVER HEX NUT - ZP1 & ZP2 6/15/18/24</i>	<i>8</i>
62	P1SX020SPLATE	BEARING RETAINER SPLASH PLATE - ZP1 & ZP2 6/15/18	2
900	P1GXAD0096001	PICK,COMBO,O-RING ZP1 ZP2	1
901	P1GX000140003	OIL,460FG,MAGNAPLT,1GAL ZP	1
902	P1GX000140002	GREASE,HALO GUARD,14OZ TUBE ZP	1
903	P1GXRTVSEAL	SILICONE,DOW,732,30Z ZP1 ZP2	1
904	P1GX109895	WRENCH,6-24,RTR NUT ZP1 6-24	1



Single Mechanical Seal

Optional Items Shown in *ITALICS*

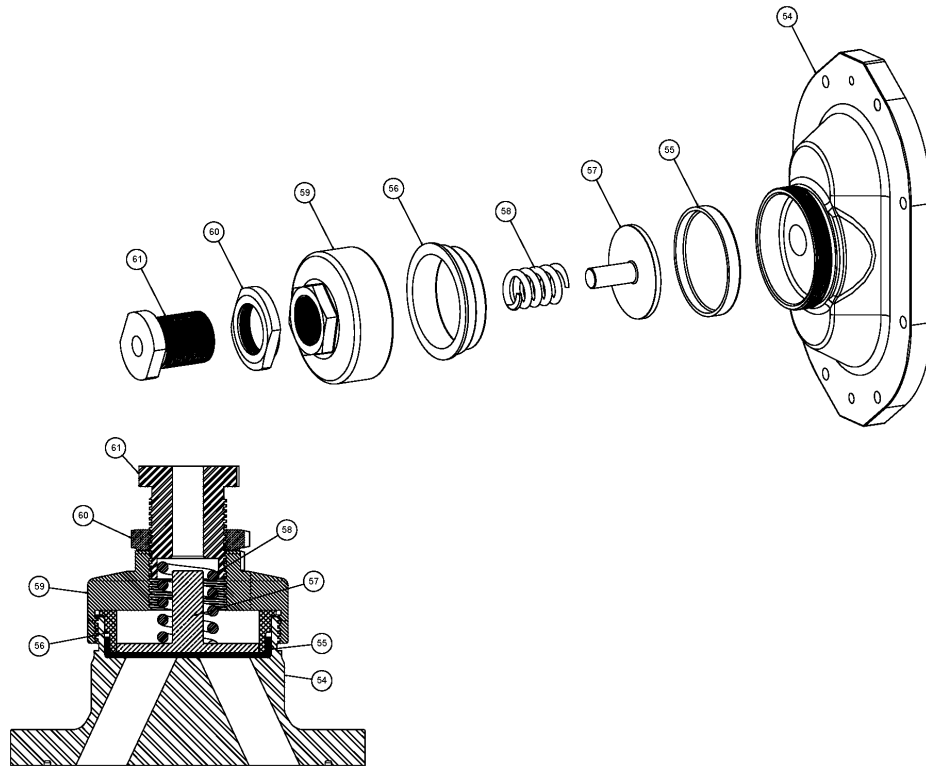
Ref #	Component Item No.	Description	Qty Per
101	P1GXAD0079000	O-RING, BODY (BUNA) - ZP1 6/15/18	2
	<i>P1GXAD0079002</i>	<i>O-RING, BODY (EPDM) - ZP1 6/15/18</i>	2
	<i>P1GXAD0079V00</i>	<i>O-RING, BODY (VITON) - ZP1 6/15/18</i>	2
	<i>P1GXAD0079SC0</i>	<i>O-RING, BODY (SILICONE) - ZP1 6/15/18</i>	2
102	N70022	O-RING, SHAFT (BUNA) - ZP1 6/15/18	2
	<i>E70022</i>	<i>O-RING, SHAFT (EPDM) - ZP1 6/15/18</i>	2
	<i>V70022</i>	<i>O-RING, SHAFT (VITON) - ZP1 6/15/18</i>	2
	<i>S75022</i>	<i>O-RING, SHAFT (SILICONE) - ZP1 6/15/18</i>	2
123	P1GS015014009	SEAL SEAT (C) ZP1 6/15/18/24	2
	<i>P1GS015014002</i>	<i>SEAL SEAT (K) ZP1 6/15/18/24</i>	2
	<i>P1GS015014001</i>	<i>SEAL SEAT (CO) ZP1 6/15/18/24</i>	2
124	P1GS015306007	SEAL INNER (N) ZP1 6/15/18/24	2
	<i>P1GS40635</i>	<i>SEAL INNER (K) ZP1 6/15/18/24</i>	2
	<i>P1GS015306009</i>	<i>SEAL INNER (C) ZP1 6/15/18/24</i>	2
	<i>P1GS015306002</i>	<i>SEAL INNER (CO) ZP1 6/15/18/24</i>	2
125	P1GS015304000	INNER SEAL WAVE SPRING - ZP1 6/15/18/24	2



Double Mechanical Seal

Optional Items Shown in ITALICS

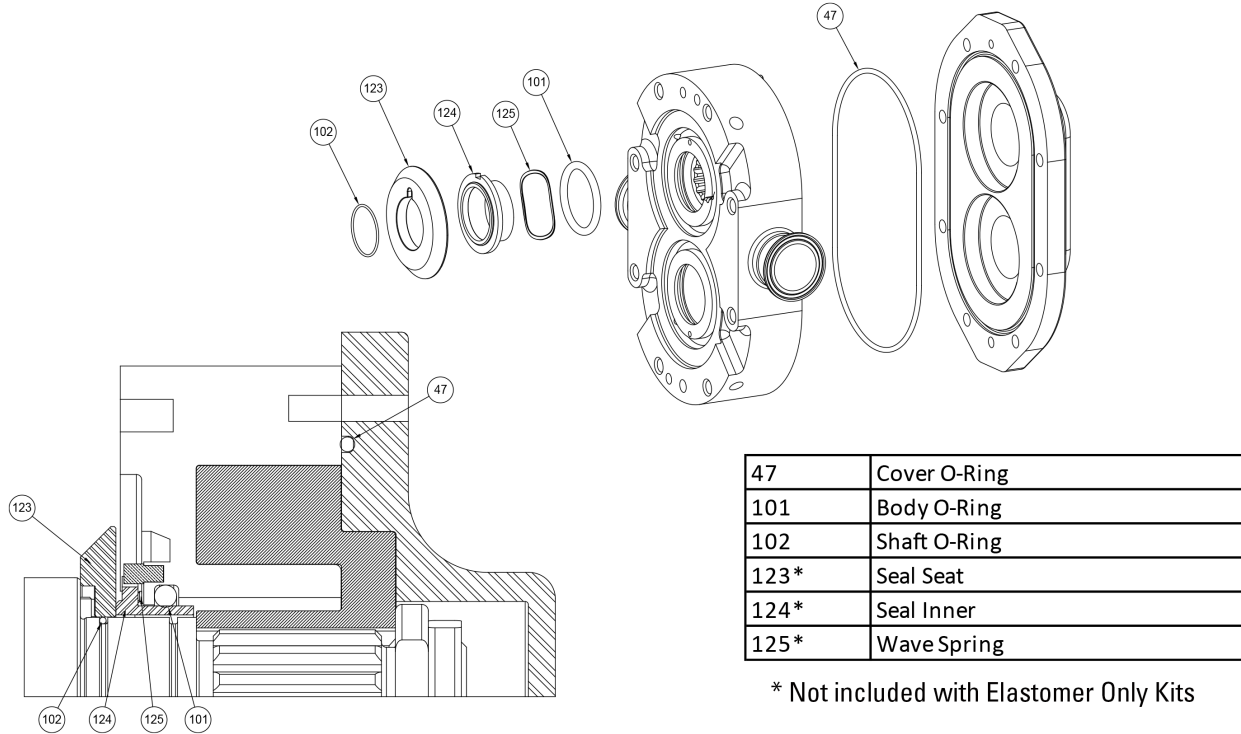
Ref #	Component Item No.	Description	Qty Per
101	P1GXAD0079000	O-RING, BODY (BUNA) - ZP1 6/15/18	2
	<i>P1GXAD0079002</i>	<i>O-RING, BODY (EPDM) - ZP1 6/15/18</i>	2
	<i>P1GXAD0079V00</i>	<i>O-RING, BODY (VITON) - ZP1 6/15/18</i>	2
	<i>P1GXAD0079SC0</i>	<i>O-RING, BODY (SILICONE) - ZP1 6/15/18</i>	2
102	N70022	O-RING, SHAFT (BUNA) - ZP1 6/15/18	2
	<i>E70022</i>	<i>O-RING, SHAFT (EPDM) - ZP1 6/15/18</i>	2
	<i>V70022</i>	<i>O-RING, SHAFT (VITON) - ZP1 6/15/18</i>	2
	<i>S75022</i>	<i>O-RING, SHAFT (SILICONE) - ZP1 6/15/18</i>	2
123	P1GS015014009	SEAL SEAT (C) ZP1 6/15/18/24	2
	<i>P1GS015014002</i>	<i>SEAL SEAT (K) ZP1 6/15/18/24</i>	2
	<i>P1GS015014001</i>	<i>SEAL SEAT (CO) ZP1 6/15/18/24</i>	2
124	P1GS015306007	SEAL INNER (N) ZP1 6/15/18/24	2
	<i>P1GS40635</i>	<i>SEAL INNER (K) ZP1 6/15/18/24</i>	2
	<i>P1GS015306009</i>	<i>SEAL INNER (C) ZP1 6/15/18/24</i>	2
	<i>P1GS015306002</i>	<i>SEAL INNER (CO) ZP1 6/15/18/24</i>	2
125	P1GS015304000	INNER SEAL WAVE SPRING - ZP1 6/15/18/24	2
136	N50228	O-RING, OUTER SEAL (BUNA) - ZP1 6/15/18/24	2
	<i>E50228</i>	<i>O-RING, OUTER SEAL (EPDM) - ZP1 6/15/18/24</i>	2
	<i>V50228</i>	<i>O-RING, OUTER SEAL (VITON) - ZP1 6/15/18/24</i>	2
137	P1GS015206007	OUTER SEAL (N) ZP1 6/15/18/24	2



Pressure Relief Cover

Optional Items Shown in ITALICS

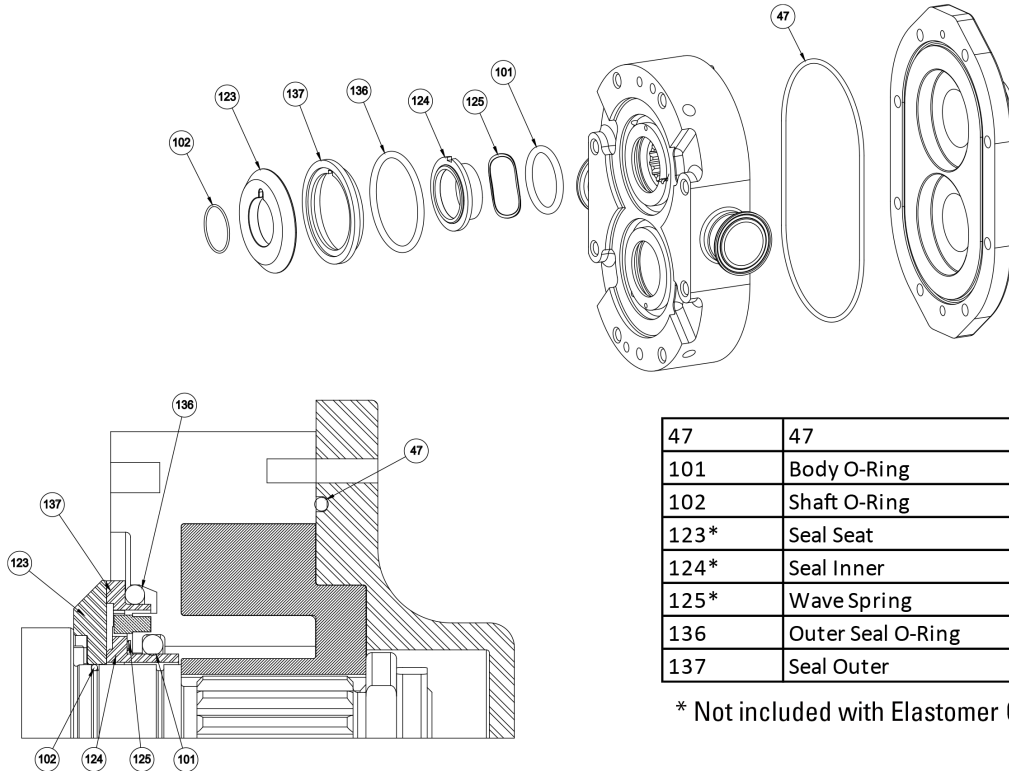
Ref #	Component Item No.	Description	Qty Per
54	P1CVRAD0002VS0	VENTED FRONT COVER, ZP1 - 6/15/18	1
55	P1GXAD0078000	RUBBER DIAPHRAGM, BUNA, ZP1 & ZP2 & ZP3 - 6/15/18/30/34/40	1
	<i>P1GXAD0078EP0</i>	<i>RUBBER DIAPHRAGM, EPDM, ZP1 & ZP2 & ZP3 - 6/15/18/30/34/40</i>	1
	<i>P1GXAD0078V00</i>	<i>RUBBER DIAPHRAGM, VITON, ZP1 & ZP2 & ZP3 - 6/15/18/30/34/40</i>	1
56	P1SXAD0077000	DIAPHRAGM BUSHING, ZP1 & ZP2 & ZP3 - 6/15/18/30/34/40	1
57	P1SXAD0073000	SPRING PLUNGER, ZP1 & ZP2 & ZP3 - 6/15/18/30/34/40	1
58	P1SXAD0076000	SPRING, MEDIUM, (LESS THAN 150 PSI), ZP1 & ZP2 & ZP3 - 6/15/18/30/34/40	1
	<i>P1SXABB076100</i>	<i>SPRING, HIGH, (MORE THAN 150 PSI), ZP1 & ZP2 & ZP3 - 6/15/18/30/34/40</i>	1
59	P1SXAD0075000	COVER NUT, ZP1 & ZP2 & ZP3 - 6/15/18/30/34/40	1
60	P1SXAD0074000	LOCKNUT, ZP1 & ZP2 & ZP3 - 6/15/18/30/34/40	1
61	P1SXAD0072000	ADJUSTING SCREW, ZP1 & ZP2 & ZP3 - 6/15/18/30/34/40	1



Single Mechanical Seal Kit

Optional Items Shown in ITALICS

Ref #	Component Item No.	Description	Qty Per
1	P1GS015020-N	SEAL KIT, SGL MECH, CE/CA, BUNA - ZP1 6/15/18	1
	<i>P1GS015020-E</i>	<i>SEAL KIT, SGL MECH, CE/CA, EPDM - ZP1 6/15/18</i>	<i>1</i>
	<i>P1GX015000-E</i>	<i>SEAL KIT, SGL MECH, ELASTOMERS ONLY, EPDM - ZP1 6/15/18</i>	<i>1</i>
	<i>P1GS015020-V</i>	<i>SEAL KIT, SGL MECH, CE/CA, VITON - ZP1 6/15/18</i>	<i>1</i>
	<i>P1GX015000-N</i>	<i>SEAL KIT, SGL MECH, ELASTOMERS ONLY, BUNA - ZP1 6/15/18</i>	<i>1</i>
2	P1GS015000-N	SEAL KIT, SGL MECH, SC/CA, BUNA - ZP1 6/15/18	1
	P1GX015000-V	SEAL KIT, SGL MECH, ELASTOMERS ONLY, VITON - ZP1 6/15/18	1
	<i>P1GS015000-E</i>	<i>SEAL KIT, SGL MECH, SC/CA, EPDM - ZP1 6/15/18</i>	<i>1</i>
	<i>P1GS015000-V</i>	<i>SEAL KIT, SGL MECH, SC/CA, VITON - ZP1 6/15/18</i>	<i>1</i>
4	P1GS015010-N	SEAL KIT, SGL MECH, SC/SC, BUNA - ZP1 6/15/18	1
	<i>P1GS015010-E</i>	<i>SEAL KIT, SGL MECH, SC/SC, EPDM - ZP1 6/15/18</i>	<i>1</i>
	<i>P1GS015010-V</i>	<i>SEAL KIT, SGL MECH, SC/SC, VITON - ZP1 6/15/18</i>	<i>1</i>



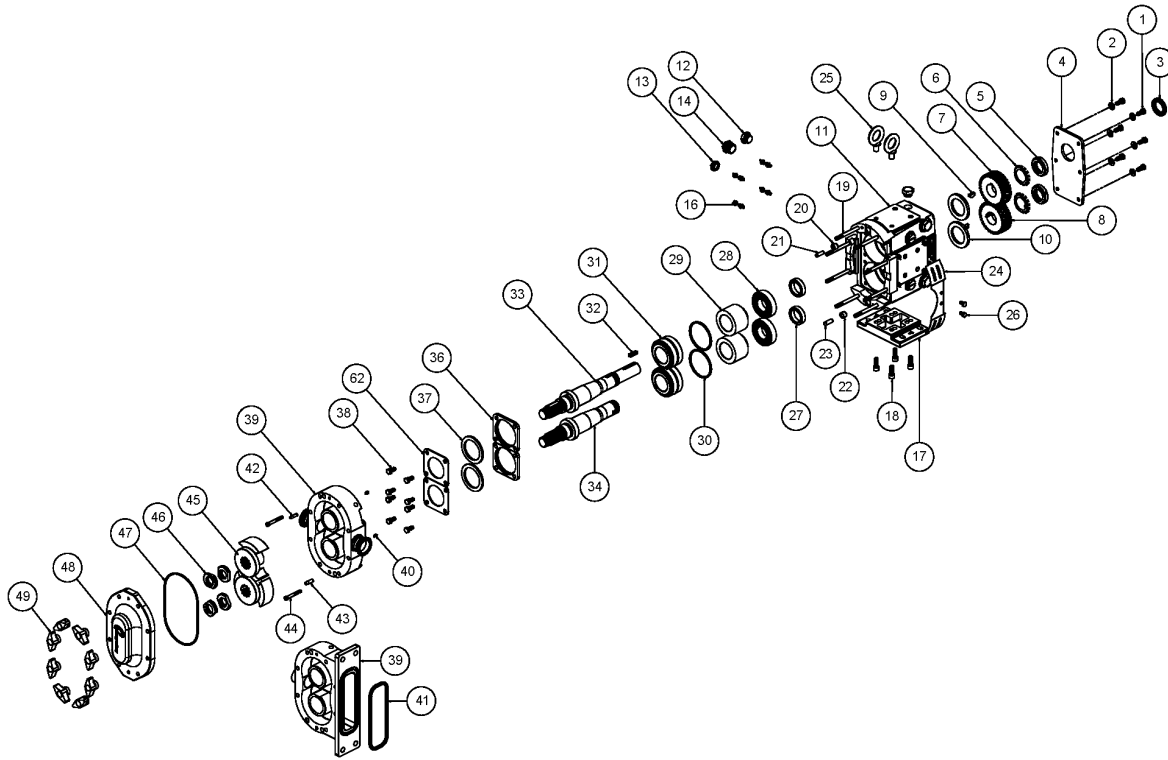
47	47
101	Body O-Ring
102	Shaft O-Ring
123*	Seal Seat
124*	Seal Inner
125*	Wave Spring
136	Outer Seal O-Ring
137	Seal Outer

* Not included with Elastomer Only Kits

Double Mechanical Seal Kit

Optional Items Shown in ITALICS

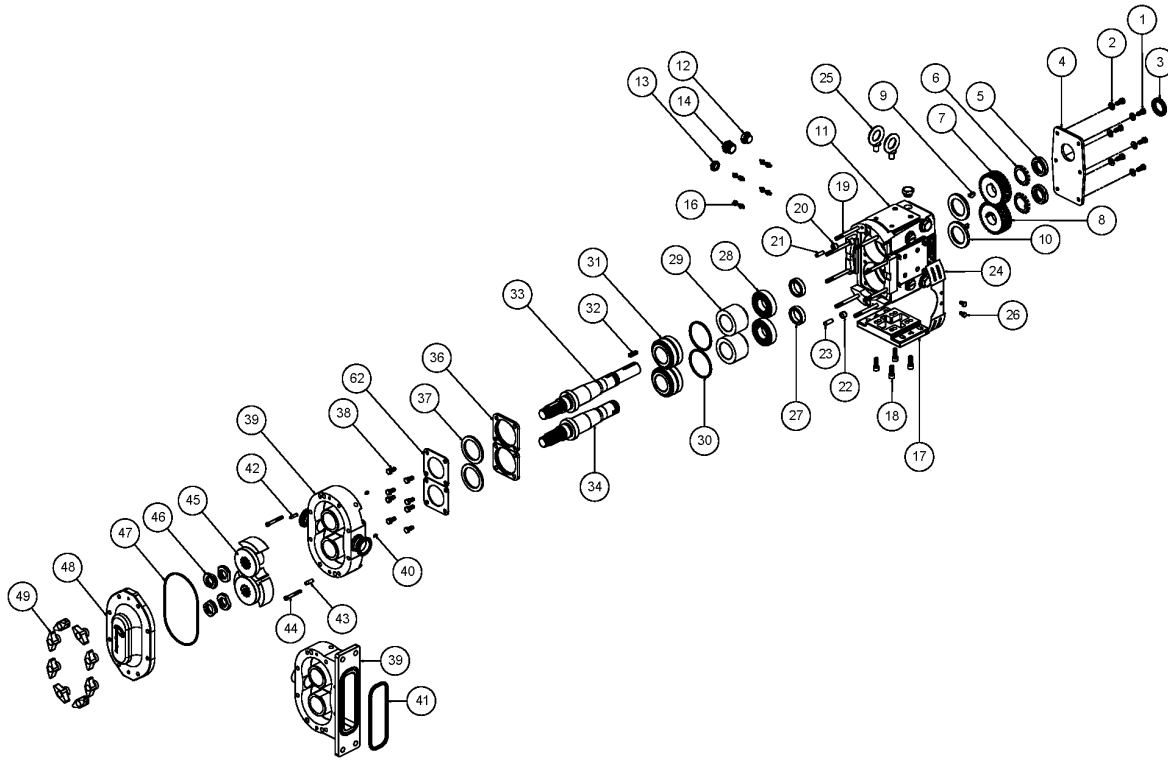
Ref #	Component Item No.	Description	Qty Per
1	P1GX015200-V	SEAL KIT, DBL MECH, ELASTOMERS ONLY, VITON - ZP1 6/15/18	1
3	P1GS015200-N	SEAL KIT, DBL MECH, SC/CA/CA, BUNA - ZP1 6/15/18	1
	P1GS015220-N	SEAL KIT, DBL MECH, CE/CA/CA, BUNA - ZP1 6/15/18	1
	<i>P1GS015200-E</i>	<i>SEAL KIT, DBL MECH, SC/CA/CA, EPDM - ZP1 6/15/18</i>	<i>1</i>
	<i>P1GS015220-E</i>	<i>SEAL KIT, DBL MECH, CE/CA/CA, EPDM - ZP1 6/15/18</i>	<i>1</i>
	<i>P1GX015200-E</i>	<i>SEAL KIT, DBL MECH, ELASTOMERS ONLY, EPDM - ZP1 6/15/18</i>	<i>1</i>
	<i>P1GS015200-V</i>	<i>SEAL KIT, DBL MECH, SC/CA/CA, VITON - ZP1 6/15/18</i>	<i>1</i>
	<i>P1GS015220-V</i>	<i>SEAL KIT, DBL MECH, CE/CA/CA, VITON - ZP1 6/15/18</i>	<i>1</i>
	<i>P1GX015200-N</i>	<i>SEAL KIT, DBL MECH, ELASTOMERS ONLY, BUNA - ZP1 6/15/18</i>	<i>1</i>
5	P1GS015210-N	SEAL KIT, DBL MECH, SC/SC/CA, BUNA - ZP1 6/15/18	1
	<i>P1GS015210-E</i>	<i>SEAL KIT, DBL MECH, SC/SC/CA, EPDM - ZP1 6/15/18</i>	<i>1</i>
	<i>P1GS015210-V</i>	<i>SEAL KIT, DBL MECH, SC/SC/CA, VITON - ZP1 6/15/18</i>	<i>1</i>



Exploded View

Optional Items Shown in ITALICS

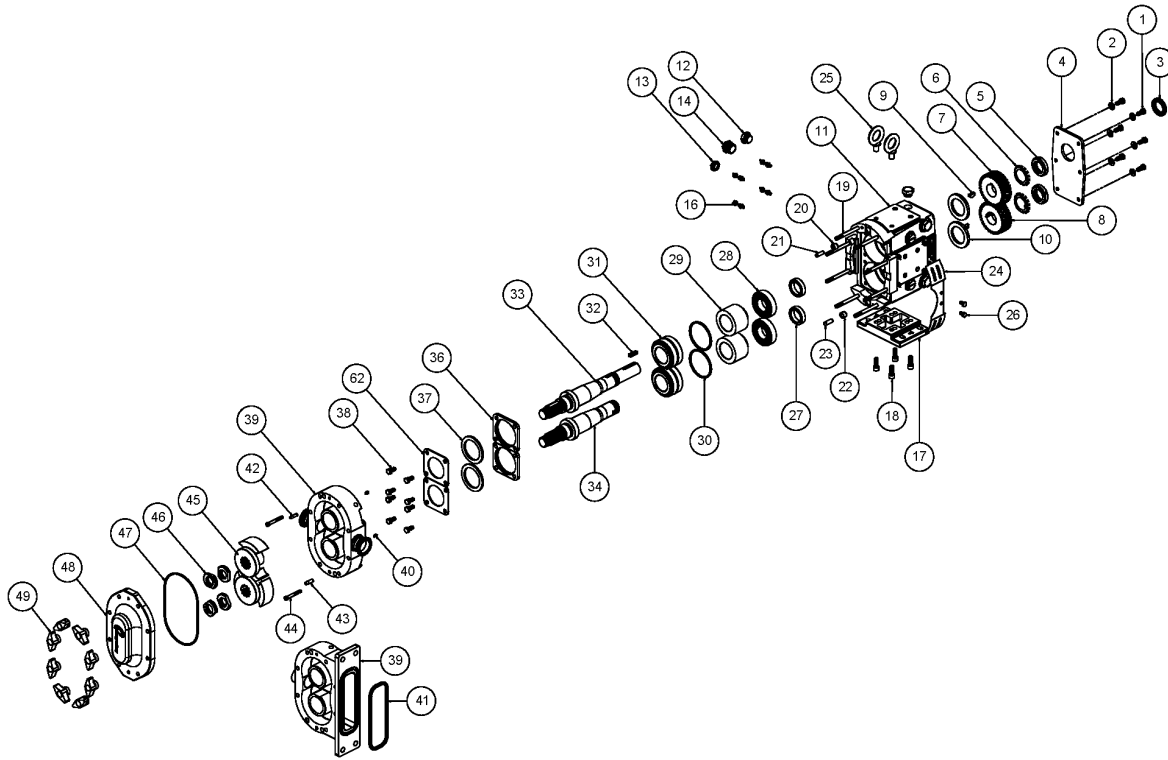
Ref #	Component Item No.	Description	Qty Per
1	P1GX30-58	HEX HEAD CAP SCREW G.CASE COVER, SS - ZP1 & ZP2 6/15/18	6
2	P1GX43-108	FLAT WASHER, G CASE COVER, 1/4 X 5/8 OD, SS - ZP1 & ZP2 6/15	6
3	P1GX000030016-ND	OIL SEAL, PTFE, GEAR CASE COVER - ZP1 & ZP2 6/15/18	1
	<i>P1GX000030016</i>	<i>OIL SEAL, GEAR CASE COVER - ZP1 & ZP2 6/15/18</i>	1
4	P1SX020106000	GEAR CASE COVER, SS - ZP1 & ZP2 6/15/18/24	1
5	P1GXSTD236005	GEAR LOCK NUT - ZP1 & ZP2 6/15/18	2
6	P1GXSTD136005	GEAR LOCKWASHER ZP1 & ZP2 6/15/18	2
7	P1GX015007001	GEAR DRIVE SHAFT ZP1 & ZP2 6/15/18	1
8	P1GX015007002	GEAR SHORT SHAFT ZP1 & ZP2 6/15/18	1
9	P1GX015037000	GEAR KEY - ZP1 & ZP2 6/15/18/24	2
10	P1GX000030017	OIL SEAL, REAR - ZP1 & ZP2 6/15/18	2
11	P1SX020005000	GEAR CASE, SS - ZP1 & ZP2 6/15/18/24	1
12	P1GX115798	PLUG,HEX,20M X1.5,W/NBR SEAL	5
13	P1GX115799	GAUGE,OIL,LVL,INDIC,M-20X1.5	1
14	P1GX20PLUG-SS	CLEANOUT PLUG, SS - ZP1 6/15/18	4
	<i>P1GX20PLUG</i>	<i>CLEANOUT PLUG, YELLOW - ZP1 6/15/18</i>	4
16	P1GXBD0092001	GREASE FITTING, THREADED 1/4"-28 TAPER, SS	8
17	P1SX020110000	GEAR CASE BASE, SS - ZP1 & ZP2 6/15/18/24	1
18	P1GX15SHCSGCB	SHCS, G. CASE BASE, (18-8 SS) 5/16-18 X 3/4 - ZP1 & ZP2 6/15	4
19	P1GXAD0011000	STUD, ZP1 6/15	8
	<i>P1GXAD0011J00</i>	<i>STUD, JACKETED COVER, ZP1 6/15</i>	8
20	P1GXAD0116000	UPPER DOWEL BUSHING - ZP1 & ZP2 6/15/18	1
21	P1GX124581	DOWEL PIN - ZP1 & ZP2 6/15/18/24	1
22	P1GXAD0116100	LOWER DOWEL BUSHING - ZP1 & ZP2 6/15/18	1
23	P1GX124582	DOWEL PIN - ZP1 & ZP2 45/60/64/130/134	1
24	P1SX020CEGUARD	GUARD,6-24,(CE),GC,SS	2
26	P1GX000CENAIL	DRIVENAIL,ZP,GEAR CASE GUARDS	4



Exploded View

Optional Items Shown in ITALICS

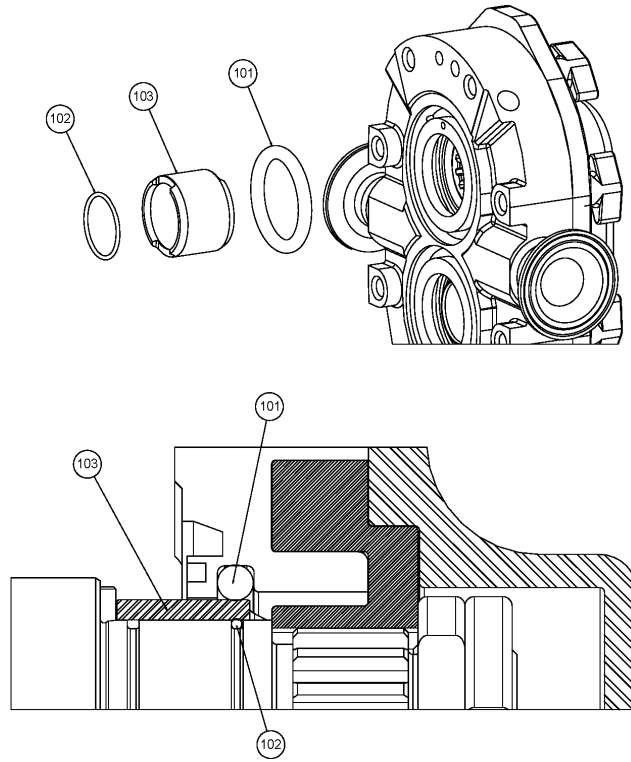
Ref #	Component Item No.	Description	Qty Per
27	P1GX015055000	GEAR TO REAR BEARING SPACER - ZP1 & ZP2 6/15/18/24	2
28	P1GX015035000	REAR BEARING - ZP1 & ZP2 6/14/15/18/24	2
29	P1GX101814	BEARING SPACER - ZP1 & ZP2 6/15/18/24	2
30	P1GX117889	SHIM KIT - ZP1 & ZP2 6/15/18/24	2
31	P1GX101714	FRONT BEARING - ZP1 & ZP2 6/14/15/18/24	2
32	P1GX000037001	DRIVE KEY, 3/16 SQ. X 1-1/8" - ZP1 & ZP2 6/15/18	1
33	P1SX114642	DRIVE SHAFT (17-4PH) - ZP1 6/15 (TAPER)	1
34	P1SX114643	SHORT SHAFT (17-4PH) - ZP1 6/15 (TAPER)	1
36	P1SX120332	BEARING RETAINER, NEW STYLE 3A - ZP1 & ZP2 6/15/18/24	2
37	P1GX121679-ND	GREASE SEAL, PTFE, FRONT BEARING RET. 3A - ZP1 & ZP2 6/15/18	2
	<i>P1GX121679</i>	<i>GREASE SEAL FRONT BEARING RET. 3A - ZP1 & ZP2 6/15/18</i>	2
38	P1GX30-58	HEX HEAD CAP SCREW G.CASE COVER, SS - ZP1 & ZP2 6/15/18	8
39	P1BDY015001000	BODY - ZP1 15	1
	<i>P1BDY015001F00</i>	<i>BODY - ZP1 15 - FLUSHED</i>	1
40	P1GX015126000	STOP PIN, SEAL - ZP1 & ZP2 6/15	2
42	P1GX124581	DOWEL PIN - ZP1 & ZP2 6/15/18/24	1
43	P1GX124582	DOWEL PIN - ZP1 & ZP2 45/60/64/130/134	1
44	P1GX30-523	CAPSCRW,SH,1/4-20X1-1/4,18-8SS SCKT HD	2
45	P1RTB015010000	ROTOR TWIN BLADE - ALLOY 88 - ZP1 15	2
	<i>P1RTB01501000H</i>	<i>ROTOR TWIN BLADE - ALLOY 88 - ZP1 15 - HOT CLEARANCE</i>	2
	<i>P1RTB0150100HC</i>	<i>ROTOR TWIN BLADE - ALLOY 88 - ZP1 15 - HOT CHOCOLATE</i>	2
	<i>P1RTB015010200</i>	<i>ROTOR TWIN BLADE - 316L - ZP1 15</i>	2
46	P1SXAD0052001	ROTOR JAM NUT - ZP1 6/15/18/24	4
47	N70252	O-RING, COVER (BUNA) - ZP1 6/15/18/24	1
	<i>S75252</i>	<i>O-RING, COVER (SILICONE) - ZP1 6/15/18/24</i>	1
	<i>V70252</i>	<i>O-RING, COVER (VITON) - ZP1 6/15/18/24</i>	1
	<i>E70252</i>	<i>O-RING, COVER (EPDM) - ZP1 6/15/18/24</i>	1



Exploded View

Optional Items Shown in ITALICS

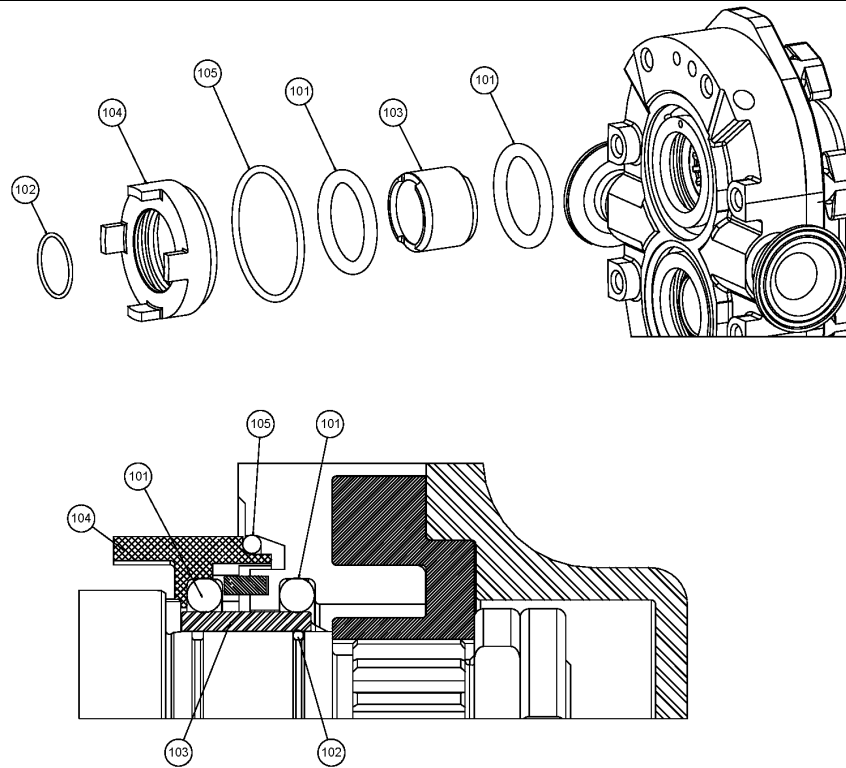
Ref #	Component Item No.	Description	Qty Per
48	P1CVRAD0002S00	COVER - ZP1 6/15/18	1
	<i>P1CVRAD0002J10</i>	<i>COVER, JACKETED - ZP1 6/15/18</i>	<i>1</i>
49	P1GX105850	WING NUT - ZP1 & ZP2 6/15/18	8
	<i>P1SX108369</i>	<i>COVER HEX NUT - ZP1 & ZP2 6/15/18/24</i>	<i>8</i>
62	P1SX020SPLATE	BEARING RETAINER SPLASH PLATE - ZP1 & ZP2 6/15/18	2
900	P1GXAD0096001	PICK,COMBO,O-RING ZP1 ZP2	1
901	P1GX000140003	OIL,460FG,MAGNAPLT,1GAL ZP	1
902	P1GX000140002	GREASE,HALO GUARD,14OZ TUBE ZP	1
903	P1GXRTVSEAL	SILICONE,DOW,732,30Z ZP1 ZP2	1
904	P1GX109895	WRENCH,6-24,RTR NUT ZP1 6-24	1



Single O-Ring Seal

Optional Items Shown in ITALICS

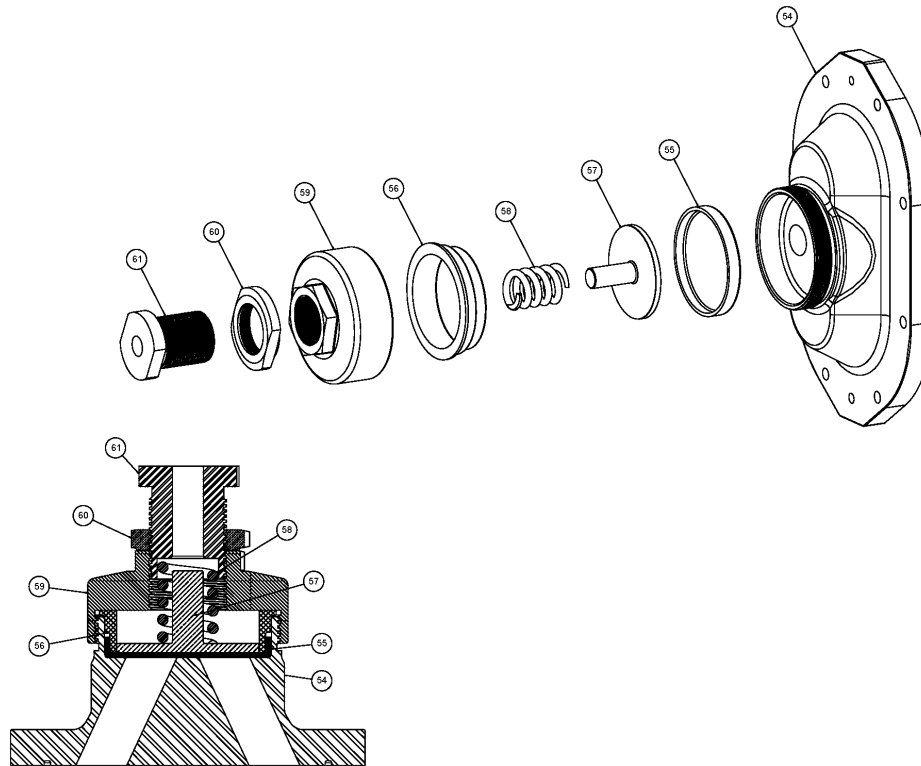
Ref #	Component Item No.	Description	Qty Per
101	P1GXAD0079000	O-RING, BODY (BUNA) - ZP1 6/15/18	2
	<i>P1GXAD0079002</i>	<i>O-RING, BODY (EPDM) - ZP1 6/15/18</i>	2
	<i>P1GXAD0079V00</i>	<i>O-RING, BODY (VITON) - ZP1 6/15/18</i>	2
	<i>P1GXAD0079SC0</i>	<i>O-RING, BODY (SILICONE) - ZP1 6/15/18</i>	2
102	N70022	O-RING, SHAFT (BUNA) - ZP1 6/15/18	2
	<i>E70022</i>	<i>O-RING, SHAFT (EPDM) - ZP1 6/15/18</i>	2
	<i>V70022</i>	<i>O-RING, SHAFT (VITON) - ZP1 6/15/18</i>	2
	<i>S75022</i>	<i>O-RING, SHAFT (SILICONE) - ZP1 6/15/18</i>	2
103	P1SX015098001	SLEEVE (17-4PH H900) ZP1 6/15/18 - SLOTTED	2
	<i>P1SX015098004</i>	<i>ZIRCONIA SLEEVE - ZP1 6/15/18</i>	2
	<i>P1SX015098002</i>	<i>CHROME OXIDE SLEEVE (316L) - ZP1 6/15/18</i>	2



Double O-Ring Seal

Optional Items Shown in ITALICS

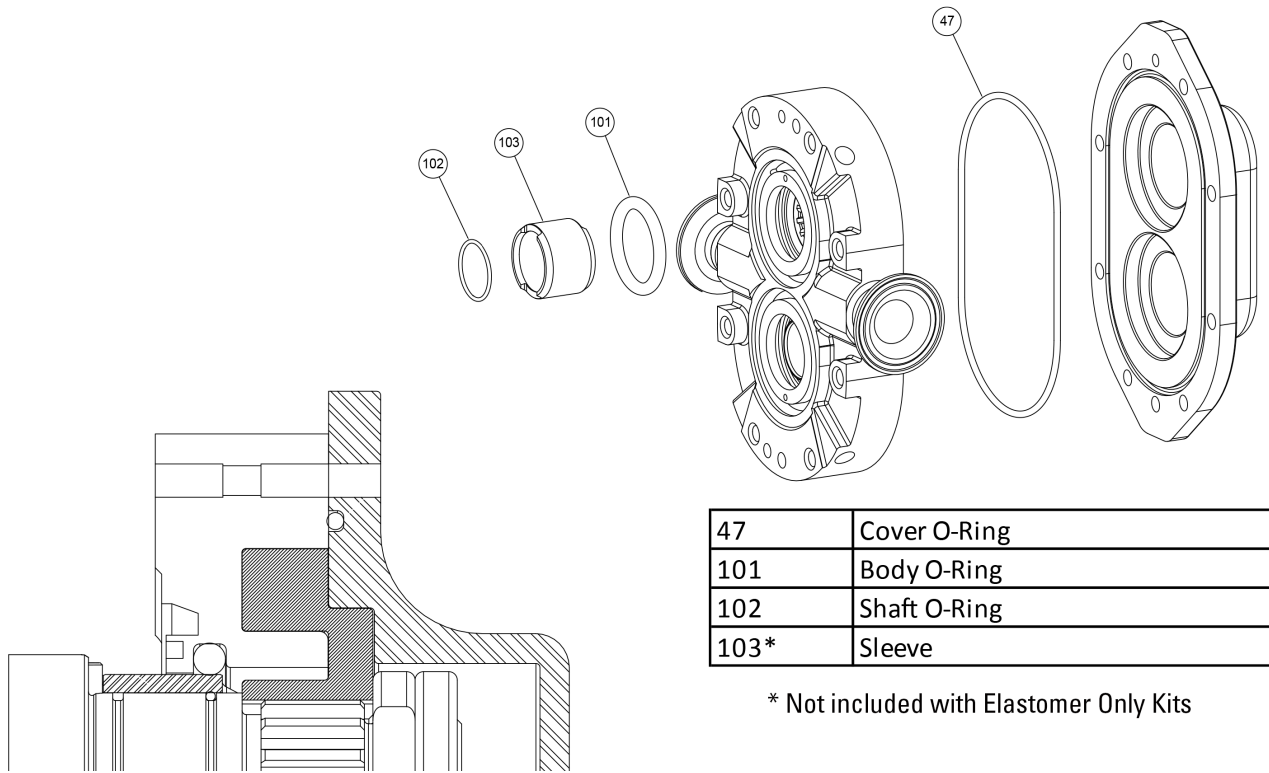
Ref #	Component Item No.	Description	Qty Per
101	P1GXAD0079000	O-RING, BODY (BUNA) - ZP1 6/15/18	4
	<i>P1GXAD0079002</i>	<i>O-RING, BODY (EPDM) - ZP1 6/15/18</i>	4
	<i>P1GXAD0079V00</i>	<i>O-RING, BODY (VITON) - ZP1 6/15/18</i>	4
	<i>P1GXAD0079SC0</i>	<i>O-RING, BODY (SILICONE) - ZP1 6/15/18</i>	4
102	N70022	O-RING, SHAFT (BUNA) - ZP1 6/15/18	2
	<i>E70022</i>	<i>O-RING, SHAFT (EPDM) - ZP1 6/15/18</i>	2
	<i>V70022</i>	<i>O-RING, SHAFT (VITON) - ZP1 6/15/18</i>	2
	<i>S75022</i>	<i>O-RING, SHAFT (SILICONE) - ZP1 6/15/18</i>	2
103	P1SX015098001	SLEEVE (17-4PH H900) ZP1 6/15/18 - SLOTTED	2
	<i>P1SX015098004</i>	<i>ZIRCONIA SLEEVE - ZP1 6/15/18</i>	2
	<i>P1SX015098002</i>	<i>CHROME OXIDE SLEEVE (316L) - ZP1 6/15/18</i>	2
104	P1SX015034002	O-RING SEAL CARRIER, 3A NEW STYLE - ZP1 6/15/18/24	2
105	N50228	O-RING, OUTER SEAL (BUNA) - ZP1 6/15/18/24	2
	<i>E50228</i>	<i>O-RING, OUTER SEAL (EPDM) - ZP1 6/15/18/24</i>	2
	<i>V50228</i>	<i>O-RING, OUTER SEAL (VITON) - ZP1 6/15/18/24</i>	2



Pressure Relief Cover

Optional Items Shown in ITALICS

Ref #	Component Item No.	Description	Qty Per
54	P1CVRAD0002VS0	VENTED FRONT COVER, ZP1 - 6/15/18	1
55	P1GXAD0078000	RUBBER DIAPHRAGM, BUNA, ZP1 & ZP2 & ZP3 - 6/15/18/30/34/40	1
	<i>P1GXAD0078EP0</i>	<i>RUBBER DIAPHRAGM, EPDM, ZP1 & ZP2 & ZP3 - 6/15/18/30/34/40</i>	1
	<i>P1GXAD0078V00</i>	<i>RUBBER DIAPHRAGM, VITON, ZP1 & ZP2 & ZP3 - 6/15/18/30/34/40</i>	1
56	P1SXAD0077000	DIAPHRAGM BUSHING, ZP1 & ZP2 & ZP3 - 6/15/18/30/34/40	1
57	P1SXAD0073000	SPRING PLUNGER, ZP1 & ZP2 & ZP3 - 6/15/18/30/34/40	1
58	P1SXAD0076000	SPRING, MEDIUM, (LESS THAN 150 PSI), ZP1 & ZP2 & ZP3 - 6/15/18/30/34/40	1
	<i>P1SXABB076100</i>	<i>SPRING, HIGH, (MORE THAN 150 PSI), ZP1 & ZP2 & ZP3 - 6/15/18/30/34/40</i>	1
59	P1SXAD0075000	COVER NUT, ZP1 & ZP2 & ZP3 - 6/15/18/30/34/40	1
60	P1SXAD0074000	LOCKNUT, ZP1 & ZP2 & ZP3 - 6/15/18/30/34/40	1
61	P1SXAD0072000	ADJUSTING SCREW, ZP1 & ZP2 & ZP3 - 6/15/18/30/34/40	1



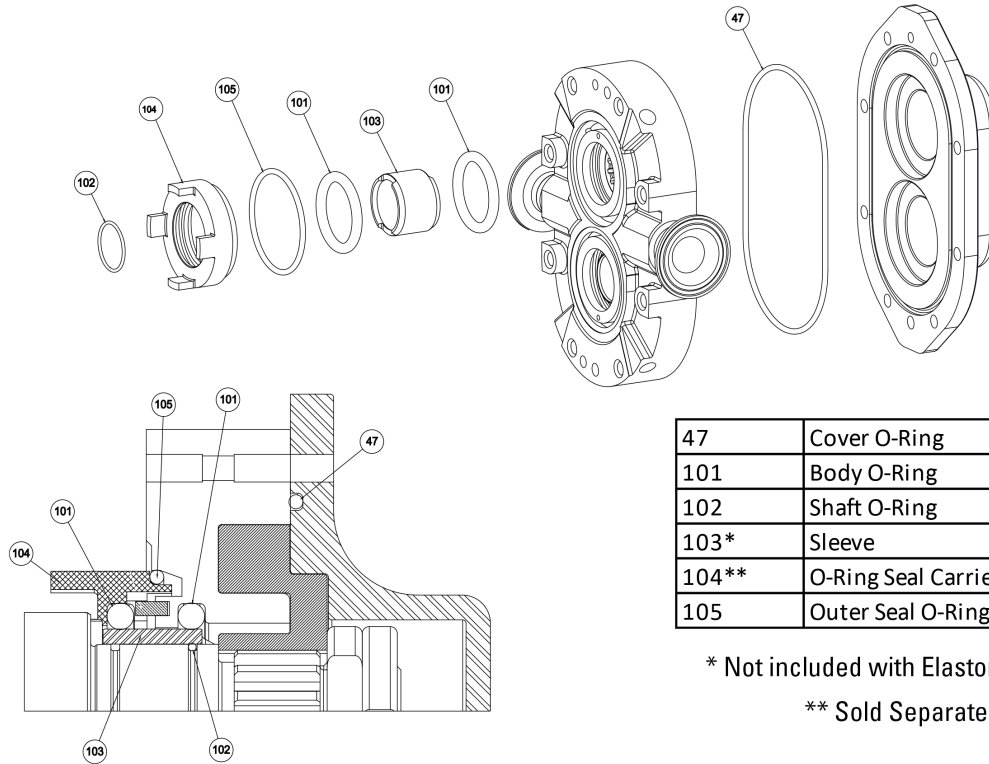
47	Cover O-Ring
101	Body O-Ring
102	Shaft O-Ring
103*	Sleeve

* Not included with Elastomer Only Kits

Single O-Ring Seal Kit

Optional Items Shown in ITALICS

Ref #	Component Item No.	Description	Qty Per
1	P1GX015000-E	SEAL KIT, SGL O-RING, ELASTOMERS ONLY, EPDM - ZP1 6/15/18	1
2	<i>P1GX015000-N</i>	<i>SEAL KIT, SGL O-RING, ELASTOMERS ONLY, BUNA - ZP1 6/15/18</i>	<i>1</i>
	<i>P1GX015000-V</i>	<i>SEAL KIT, SGL O-RING, ELASTOMERS ONLY, VITON - ZP1 6/15/18</i>	<i>1</i>
3	P1GS01500Z-N	SEAL KIT, SGL O-RING, ZIRCONIA SLVS, BUNA - ZP1 6/15/18	1
	<i>P1GS01500Z-E</i>	<i>SEAL KIT, SGL O-RING, ZIRCONIA SLVS, EPDM - ZP1 6/15/18</i>	<i>1</i>
	<i>P1GS01500Z-V</i>	<i>SEAL KIT, SGL O-RING, ZIRCONIA SLVS, VITON - ZP1 6/15/18</i>	<i>1</i>
5	P1GS01500S-N	SEAL KIT, SGL O-RING, 17-4 SS SLVS, BUNA - ZP1 6/15/18	1
	<i>P1GS01500S-E</i>	<i>SEAL KIT, SGL O-RING, 17-4 SS SLVS, EPDM - ZP1 6/15/18</i>	<i>1</i>
	<i>P1GS01500S-V</i>	<i>SEAL KIT, SGL O-RING, 17-4 SS SLVS, VITON - ZP1 6/15/18</i>	<i>1</i>



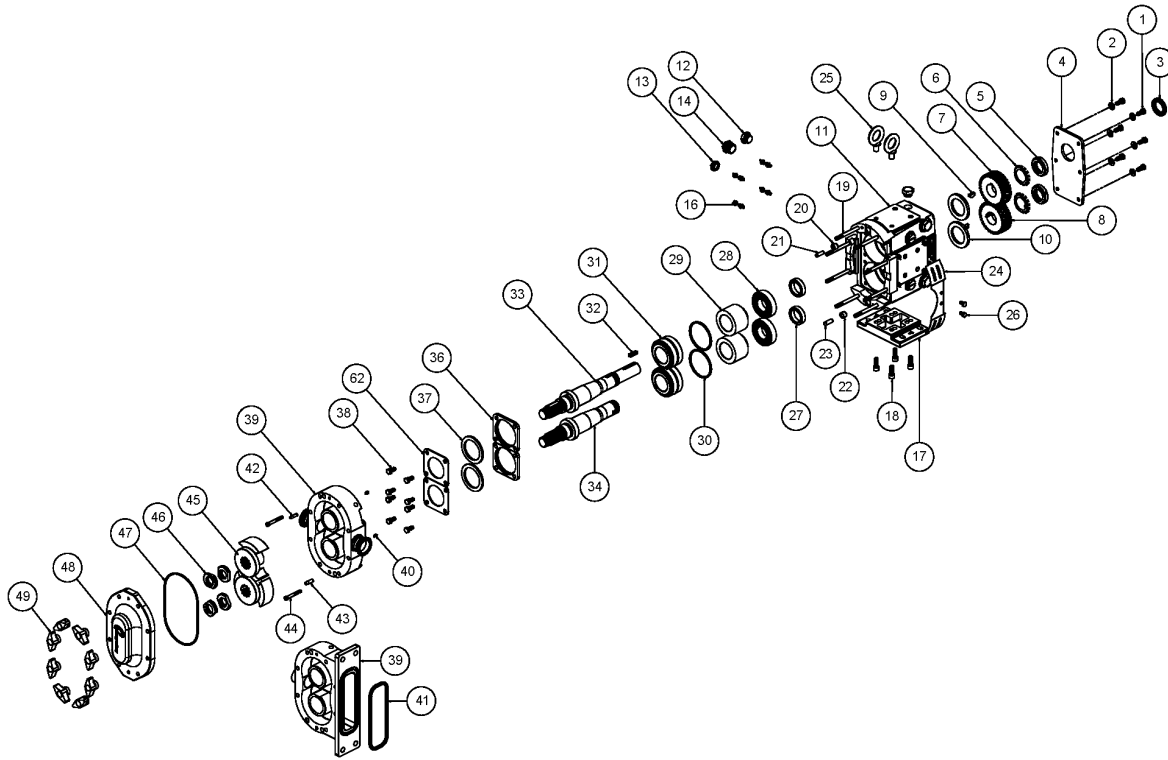
47	Cover O-Ring
101	Body O-Ring
102	Shaft O-Ring
103*	Sleeve
104**	O-Ring Seal Carrier
105	Outer Seal O-Ring

* Not included with Elastomer Only Kits
** Sold Separately

Double O-Ring Seal Kit

Optional Items Shown in ITALICS

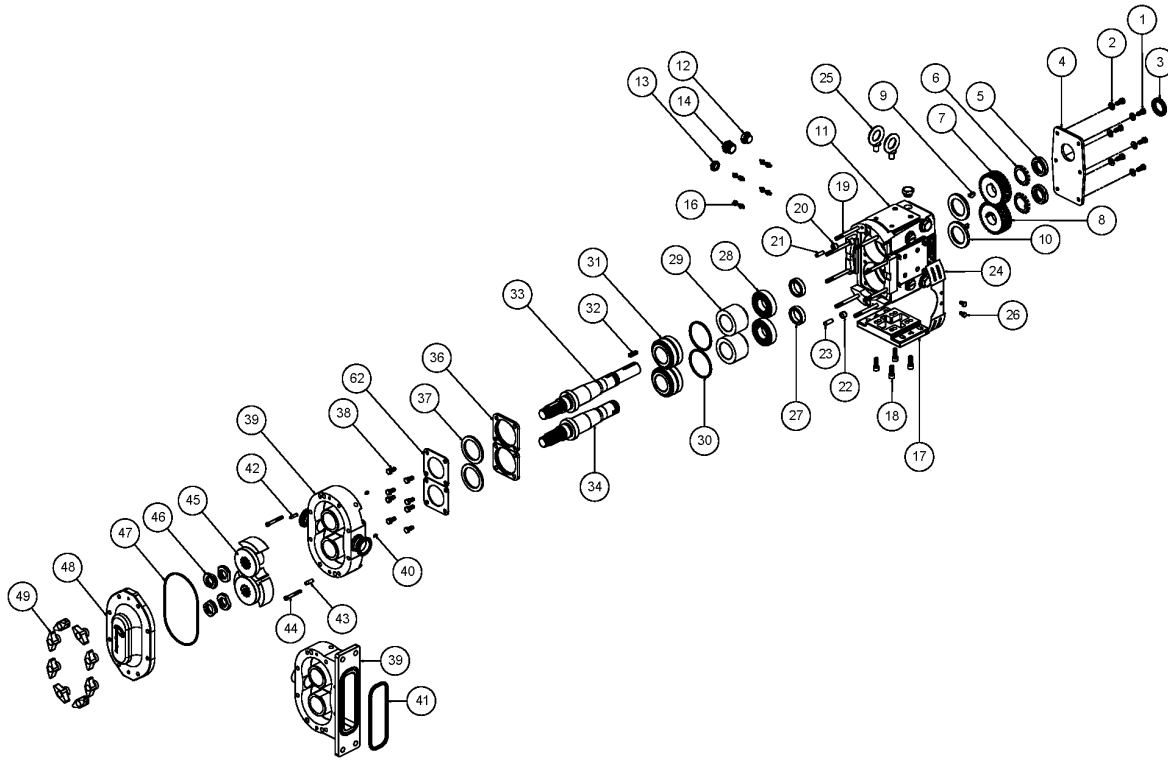
Ref #	Component Item No.	Description	Qty Per
1	P1GS01520S-N	SEAL KIT, DBL O-RING, 17-4 SS SLVS, BUNA - ZP1 6/15/18	1
	<i>P1GS01520S-E</i>	<i>SEAL KIT, DBL O-RING, 17-4 SS SLVS, EPDM - ZP1 6/15/18</i>	<i>1</i>
	<i>P1GX015200-N</i>	<i>SEAL KIT, DBL O-RING, ELASTOMERS ONLY, BUNA - ZP1 6/15/18</i>	<i>1</i>
	<i>P1GS01520S-V</i>	<i>SEAL KIT, DBL O-RING, 17-4 SS SLVS, VITON - ZP1 6/15/18</i>	<i>1</i>
	<i>P1GX015200-V</i>	<i>SEAL KIT, DBL O-RING, ELASTOMERS ONLY, VITON - ZP1 6/15/18</i>	<i>1</i>
2	P1GS01520Z-N	SEAL KIT, DBL O-RING, ZIRCONIA SLVS, BUNA - ZP1 6/15/18	1
	<i>P1GS01520Z-E</i>	<i>SEAL KIT, DBL O-RING, ZIRCONIA SLVS, EPDM - ZP1 6/15/18</i>	<i>1</i>
	<i>P1GS01520Z-V</i>	<i>SEAL KIT, DBL O-RING, ZIRCONIA SLVS, VITON - ZP1 6/15/18</i>	<i>1</i>
3	P1GX015200-E	SEAL KIT, DBL O-RING, ELASTOMERS ONLY, EPDM - ZP1 6/15/18	1



Exploded View

Optional Items Shown in ITALICS

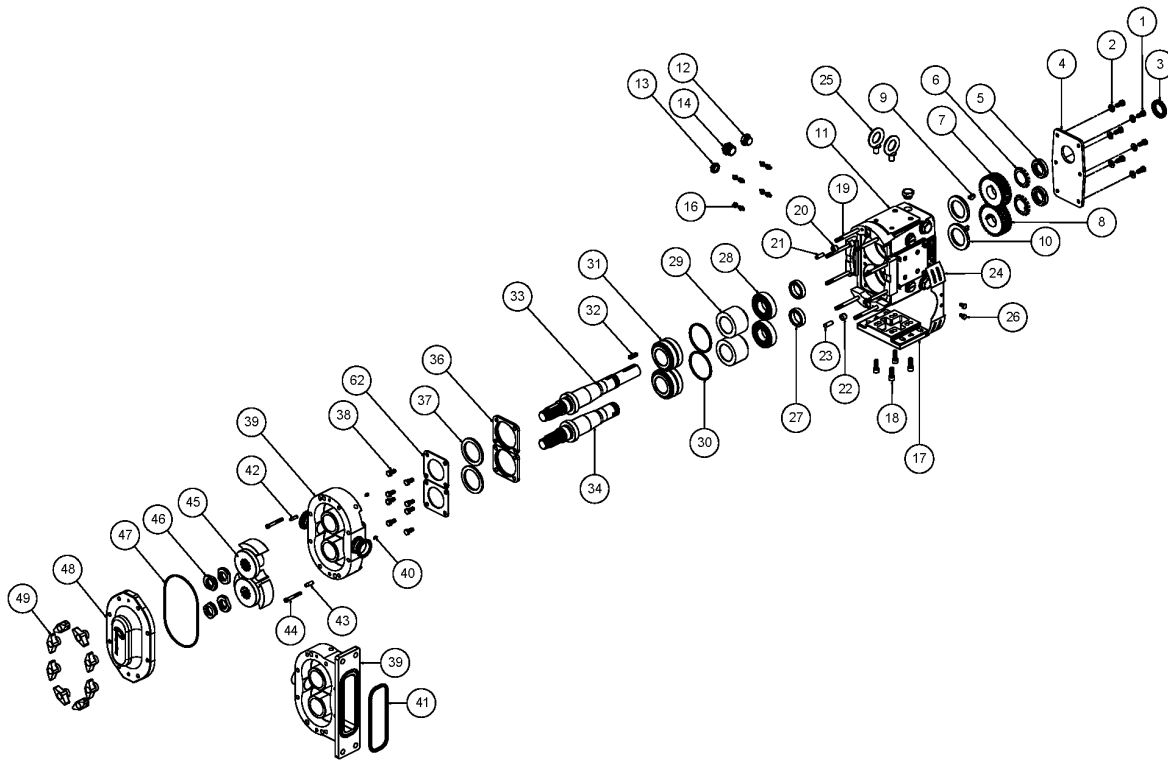
Ref #	Component Item No.	Description	Qty Per
1	P1GX30-58	HEX HEAD CAP SCREW G.CASE COVER, SS - ZP1 & ZP2 6/15/18	6
2	P1GX43-108	FLAT WASHER, G CASE COVER, 1/4 X 5/8 OD, SS - ZP1 & ZP2 6/15	6
3	P1GX000030016-ND	OIL SEAL, PTFE, GEAR CASE COVER - ZP1 & ZP2 6/15/18	1
	<i>P1GX000030016</i>	<i>OIL SEAL, GEAR CASE COVER - ZP1 & ZP2 6/15/18</i>	1
4	P1SX020106000	GEAR CASE COVER, SS - ZP1 & ZP2 6/15/18/24	1
5	P1GXSTD236005	GEAR LOCK NUT - ZP1 & ZP2 6/15/18	2
6	P1GXSTD136005	GEAR LOCKWASHER ZP1 & ZP2 6/15/18	2
7	P1GX015007001	GEAR DRIVE SHAFT ZP1 & ZP2 6/15/18	1
8	P1GX015007002	GEAR SHORT SHAFT ZP1 & ZP2 6/15/18	1
9	P1GX015037000	GEAR KEY - ZP1 & ZP2 6/15/18/24	2
10	P1GX000030017	OIL SEAL, REAR - ZP1 & ZP2 6/15/18	2
11	P1SX020005000	GEAR CASE, SS - ZP1 & ZP2 6/15/18/24	1
12	P1GX115798	PLUG,HEX,20M X1.5,W/NBR SEAL	5
13	P1GX115799	GAUGE,OIL,LVL,INDIC,M-20X1.5	1
14	P1GX20PLUG-SS	CLEANOUT PLUG, SS - ZP1 6/15/18	4
	<i>P1GX20PLUG</i>	<i>CLEANOUT PLUG, YELLOW - ZP1 6/15/18</i>	4
16	P1GXBD0092001	GREASE FITTING, THREADED 1/4"-28 TAPER, SS	8
17	P1SX020110000	GEAR CASE BASE, SS - ZP1 & ZP2 6/15/18/24	1
18	P1GX15SHCSGCB	SHCS, G. CASE BASE, (18-8 SS) 5/16-18 X 3/4 - ZP1 & ZP2 6/15	4
19	P1GX018011000	STUD, ZP1 18	8
	<i>P1GXAD0011100</i>	<i>STUD, JACKETED COVER, ZP1 18</i>	8
20	P1GXAD0116000	UPPER DOWEL BUSHING - ZP1 & ZP2 6/15/18	1
21	P1GX124581	DOWEL PIN - ZP1 & ZP2 6/15/18/24	1
22	P1GXAD0116100	LOWER DOWEL BUSHING - ZP1 & ZP2 6/15/18	1
23	P1GX124582	DOWEL PIN - ZP1 & ZP2 45/60/64/130/134	1
24	P1SX020CEGUARD	GUARD,6-24,(CE),GC,SS	2
26	P1GX000CENAIL	DRIVENAIL,ZP,GEAR CASE GUARDS	4



Exploded View

Optional Items Shown in ITALICS

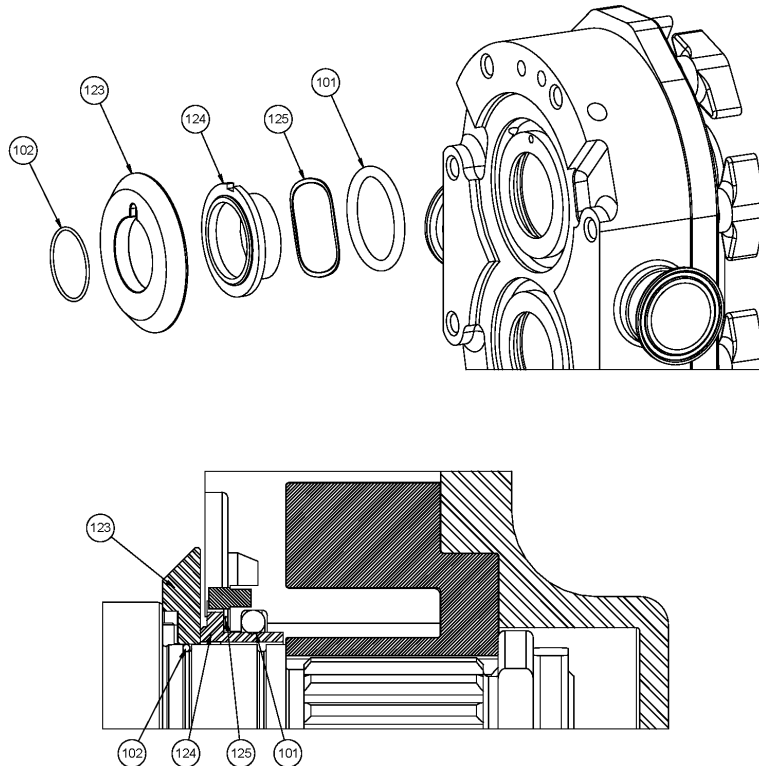
Ref #	Component Item No.	Description	Qty Per
27	P1GX015055000	GEAR TO REAR BEARING SPACER - ZP1 & ZP2 6/15/18/24	2
28	P1GX015035000	REAR BEARING - ZP1 & ZP2 6/14/15/18/24	2
29	P1GX101814	BEARING SPACER - ZP1 & ZP2 6/15/18/24	2
30	P1GX117889	SHIM KIT - ZP1 & ZP2 6/15/18/24	2
31	P1GX101714	FRONT BEARING - ZP1 & ZP2 6/14/15/18/24	2
32	P1GX000037001	DRIVE KEY, 3/16 SQ. X 1-1/8" - ZP1 & ZP2 6/15/18	1
33	P1SX114644	DRIVE SHAFT (17-4PH) - ZP1 18 (TAPER)	1
34	P1SX114645	SHORT SHAFT (17-4PH) - ZP1 18 (TAPER)	1
36	P1SX120332	BEARING RETAINER, NEW STYLE 3A - ZP1 & ZP2 6/15/18/24	2
37	P1GX121679-ND	GREASE SEAL, PTFE, FRONT BEARING RET. 3A - ZP1 & ZP2 6/15/18	2
	<i>P1GX121679</i>	<i>GREASE SEAL FRONT BEARING RET. 3A - ZP1 & ZP2 6/15/18</i>	2
38	P1GX30-58	HEX HEAD CAP SCREW G.CASE COVER, SS - ZP1 & ZP2 6/15/18	8
39	P1BDY018001000	BODY - ZP1 18	1
	<i>P1BDY018001F00</i>	<i>BODY - ZP1 18 - FLUSHED</i>	1
40	P1GX015126000	STOP PIN, SEAL - ZP1 & ZP2 6/15	2
42	P1GX124581	DOWEL PIN - ZP1 & ZP2 6/15/18/24	1
43	P1GX124582	DOWEL PIN - ZP1 & ZP2 45/60/64/130/134	1
44	P1GX18RETSCREW	CAPSCRW,SH,1/4-20X1-3/4,18-8SS ZP1 SCKT HD	2
45	P1RTB018010000	ROTOR TWIN BLADE - ALLOY 88 - ZP1 18	2
	<i>P1RTB01801000H</i>	<i>ROTOR TWIN BLADE - ALLOY 88 - ZP1 18 - HOT CLEARANCE</i>	2
	<i>P1RTB0180100HC</i>	<i>ROTOR TWIN BLADE - ALLOY 88 - ZP1 18 - HOT CHOCOLATE</i>	2
	<i>P1RTB018010200</i>	<i>ROTOR TWIN BLADE - 316L - ZP1 18</i>	2
46	P1SXAD0052001	ROTOR JAM NUT - ZP1 6/15/18/24	4
47	N70252	O-RING, COVER (BUNA) - ZP1 6/15/18/24	1
	<i>S75252</i>	<i>O-RING, COVER (SILICONE) - ZP1 6/15/18/24</i>	1
	<i>V70252</i>	<i>O-RING, COVER (VITON) - ZP1 6/15/18/24</i>	1
	<i>E70252</i>	<i>O-RING, COVER (EPDM) - ZP1 6/15/18/24</i>	1



Exploded View

Optional Items Shown in ITALICS

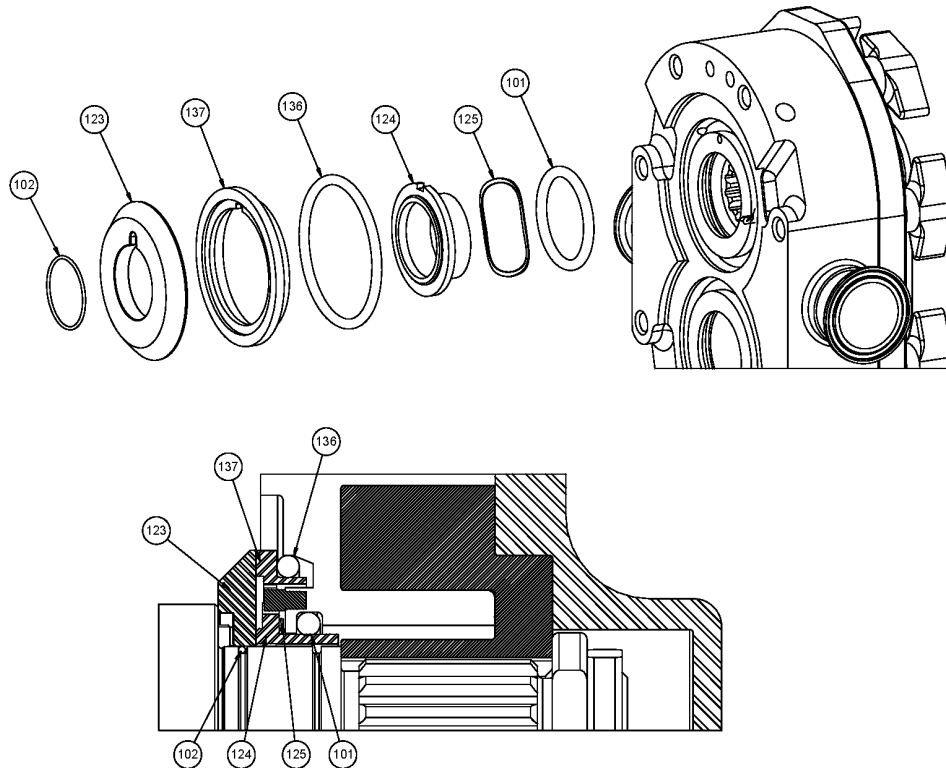
Ref #	Component Item No.	Description	Qty Per
48	P1CVRAD0002S00	COVER - ZP1 6/15/18	1
	<i>P1CVRAD0002J10</i>	<i>COVER, JACKETED - ZP1 6/15/18</i>	<i>1</i>
49	P1GX105850	WING NUT - ZP1 & ZP2 6/15/18	8
	<i>P1SX108369</i>	<i>COVER HEX NUT - ZP1 & ZP2 6/15/18/24</i>	<i>8</i>
62	P1SX020SPLATE	BEARING RETAINER SPLASH PLATE - ZP1 & ZP2 6/15/18	2
900	P1GXAD0096001	PICK,COMBO,O-RING ZP1 ZP2	1
901	P1GX000140003	OIL,460FG,MAGNAPLT,1GAL ZP	1
902	P1GX000140002	GREASE,HALO GUARD,14OZ TUBE ZP	1
903	P1GXRTVSEAL	SILICONE,DOW,732,30Z ZP1 ZP2	1
904	P1GX109895	WRENCH,6-24,RTR NUT ZP1 6-24	1



Single Mechanical Seal

Optional Items Shown in ITALICS

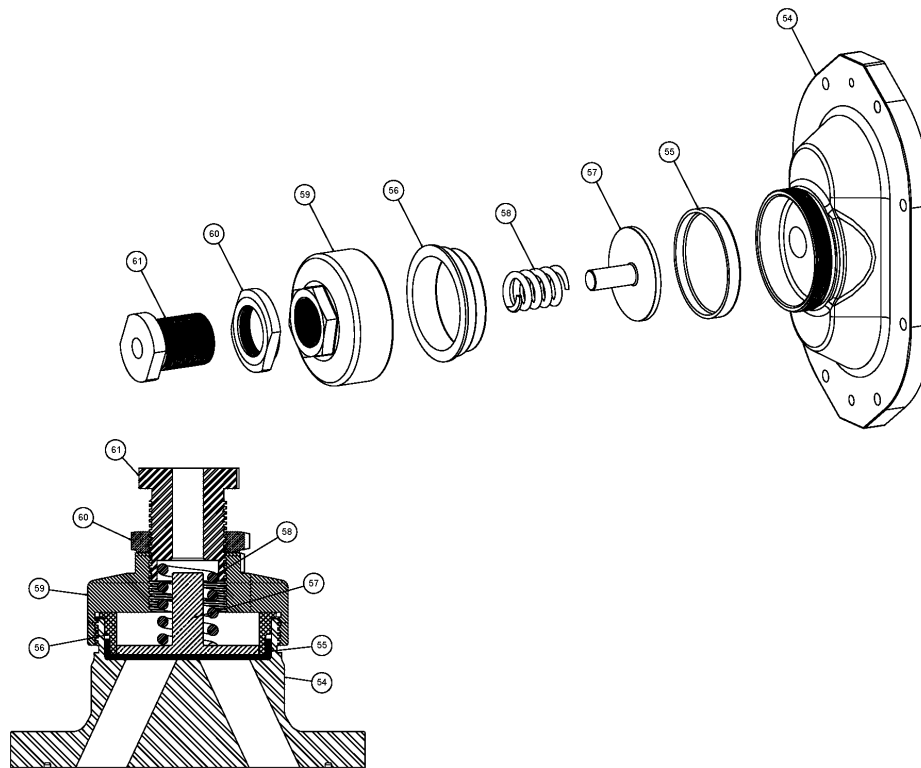
Ref #	Component Item No.	Description	Qty Per
101	P1GXAD0079000	O-RING, BODY (BUNA) - ZP1 6/15/18	2
	<i>P1GXAD0079002</i>	<i>O-RING, BODY (EPDM) - ZP1 6/15/18</i>	2
	<i>P1GXAD0079V00</i>	<i>O-RING, BODY (VITON) - ZP1 6/15/18</i>	2
	<i>P1GXAD0079SC0</i>	<i>O-RING, BODY (SILICONE) - ZP1 6/15/18</i>	2
102	N70022	O-RING, SHAFT (BUNA) - ZP1 6/15/18	2
	<i>E70022</i>	<i>O-RING, SHAFT (EPDM) - ZP1 6/15/18</i>	2
	<i>V70022</i>	<i>O-RING, SHAFT (VITON) - ZP1 6/15/18</i>	2
	<i>S75022</i>	<i>O-RING, SHAFT (SILICONE) - ZP1 6/15/18</i>	2
123	P1GS015014009	SEAL SEAT (C) ZP1 6/15/18/24	2
	<i>P1GS015014002</i>	<i>SEAL SEAT (K) ZP1 6/15/18/24</i>	2
	<i>P1GS015014001</i>	<i>SEAL SEAT (CO) ZP1 6/15/18/24</i>	2
124	P1GS015306007	SEAL INNER (N) ZP1 6/15/18/24	2
	<i>P1GS40635</i>	<i>SEAL INNER (K) ZP1 6/15/18/24</i>	2
	<i>P1GS015306009</i>	<i>SEAL INNER (C) ZP1 6/15/18/24</i>	2
	<i>P1GS015306002</i>	<i>SEAL INNER (CO) ZP1 6/15/18/24</i>	2
125	P1GS015304000	INNER SEAL WAVE SPRING - ZP1 6/15/18/24	2



Double Mechanical Seal

Optional Items Shown in ITALICS

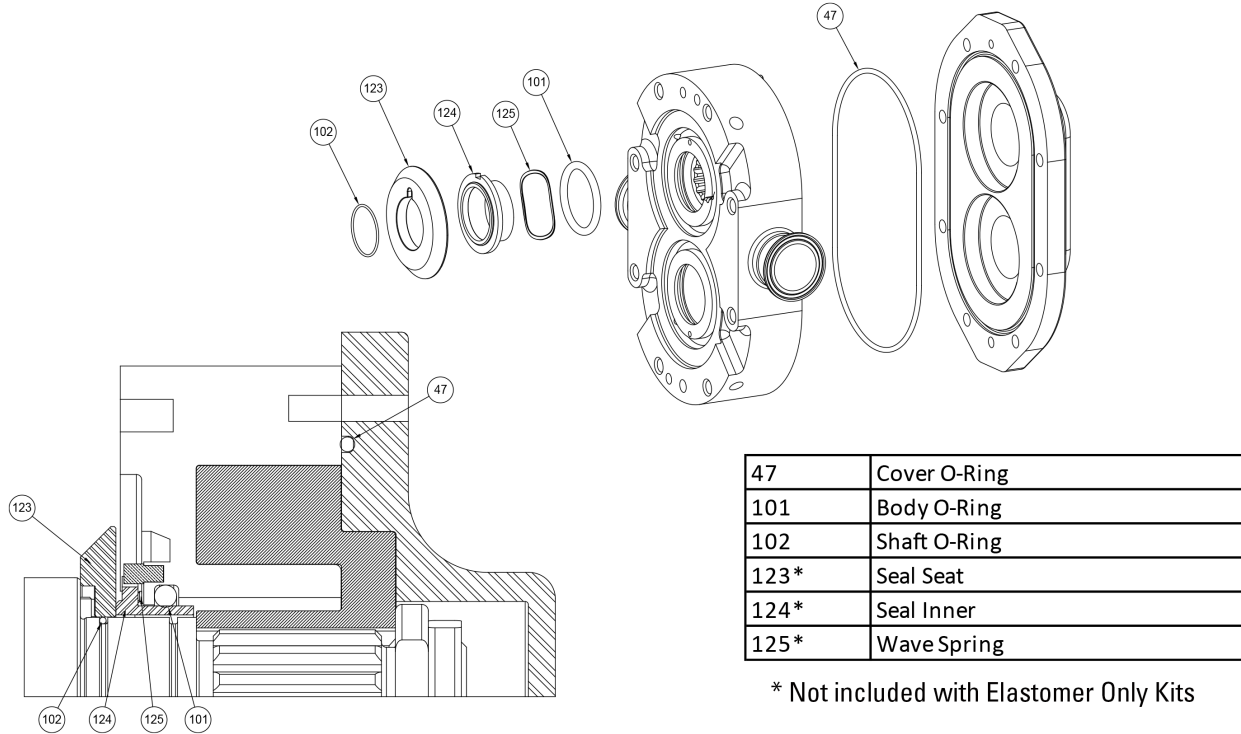
Ref #	Component Item No.	Description	Qty Per
101	P1GXAD0079000	O-RING, BODY (BUNA) - ZP1 6/15/18	2
	<i>P1GXAD0079002</i>	<i>O-RING, BODY (EPDM) - ZP1 6/15/18</i>	2
	<i>P1GXAD0079V00</i>	<i>O-RING, BODY (VITON) - ZP1 6/15/18</i>	2
	<i>P1GXAD0079SC0</i>	<i>O-RING, BODY (SILICONE) - ZP1 6/15/18</i>	2
102	N70022	O-RING, SHAFT (BUNA) - ZP1 6/15/18	2
	<i>E70022</i>	<i>O-RING, SHAFT (EPDM) - ZP1 6/15/18</i>	2
	<i>V70022</i>	<i>O-RING, SHAFT (VITON) - ZP1 6/15/18</i>	2
	<i>S75022</i>	<i>O-RING, SHAFT (SILICONE) - ZP1 6/15/18</i>	2
123	P1GS015014009	SEAL SEAT (C) ZP1 6/15/18/24	2
	<i>P1GS015014002</i>	<i>SEAL SEAT (K) ZP1 6/15/18/24</i>	2
	<i>P1GS015014001</i>	<i>SEAL SEAT (CO) ZP1 6/15/18/24</i>	2
124	P1GS015306007	SEAL INNER (N) ZP1 6/15/18/24	2
	<i>P1GS40635</i>	<i>SEAL INNER (K) ZP1 6/15/18/24</i>	2
	<i>P1GS015306009</i>	<i>SEAL INNER (C) ZP1 6/15/18/24</i>	2
	<i>P1GS015306002</i>	<i>SEAL INNER (CO) ZP1 6/15/18/24</i>	2
125	P1GS015304000	INNER SEAL WAVE SPRING - ZP1 6/15/18/24	2
136	N50228	O-RING, OUTER SEAL (BUNA) - ZP1 6/15/18/24	2
	<i>E50228</i>	<i>O-RING, OUTER SEAL (EPDM) - ZP1 6/15/18/24</i>	2
	<i>V50228</i>	<i>O-RING, OUTER SEAL (VITON) - ZP1 6/15/18/24</i>	2
137	P1GS015206007	OUTER SEAL (N) ZP1 6/15/18/24	2



Pressure Relief Cover

Optional Items Shown in ITALICS

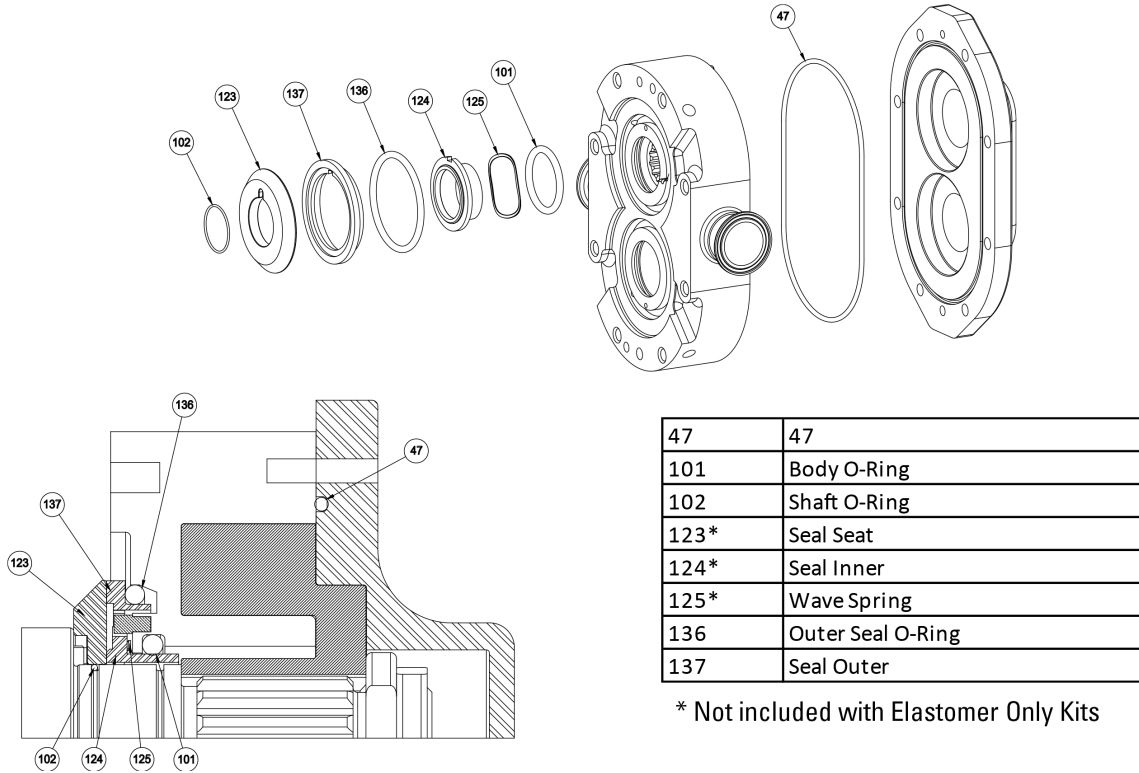
Ref #	Component Item No.	Description	Qty Per
54	P1CVRAD0002VS0	VENTED FRONT COVER, ZP1 - 6/15/18	1
55	P1GXAD0078000	RUBBER DIAPHRAGM, BUNA, ZP1 & ZP2 & ZP3 - 6/15/18/30/34/40	1
	<i>P1GXAD0078EP0</i>	<i>RUBBER DIAPHRAGM, EPDM, ZP1 & ZP2 & ZP3 - 6/15/18/30/34/40</i>	1
	<i>P1GXAD0078V00</i>	<i>RUBBER DIAPHRAGM, VITON, ZP1 & ZP2 & ZP3 - 6/15/18/30/34/40</i>	1
56	P1SXAD0077000	DIAPHRAGM BUSHING, ZP1 & ZP2 & ZP3 - 6/15/18/30/34/40	1
57	P1SXAD0073000	SPRING PLUNGER, ZP1 & ZP2 & ZP3 - 6/15/18/30/34/40	1
58	P1SXAD0076000	SPRING, MEDIUM, (LESS THAN 150 PSI), ZP1 & ZP2 & ZP3 - 6/15/18/30/34/40	1
	<i>P1SXABB076100</i>	<i>SPRING, HIGH, (MORE THAN 150 PSI), ZP1 & ZP2 & ZP3 - 6/15/18/30/34/40</i>	1
59	P1SXAD0075000	COVER NUT, ZP1 & ZP2 & ZP3 - 6/15/18/30/34/40	1
60	P1SXAD0074000	LOCKNUT, ZP1 & ZP2 & ZP3 - 6/15/18/30/34/40	1
61	P1SXAD0072000	ADJUSTING SCREW, ZP1 & ZP2 & ZP3 - 6/15/18/30/34/40	1



Single Mechanical Seal Kit

Optional Items Shown in ITALICS

Ref #	Component Item No.	Description	Qty Per
1	P1GS015020-N	SEAL KIT, SGL MECH, CE/CA, BUNA - ZP1 6/15/18	1
	<i>P1GS015020-E</i>	<i>SEAL KIT, SGL MECH, CE/CA, EPDM - ZP1 6/15/18</i>	<i>1</i>
	<i>P1GX015000-E</i>	<i>SEAL KIT, SGL MECH, ELASTOMERS ONLY, EPDM - ZP1 6/15/18</i>	<i>1</i>
	<i>P1GS015020-V</i>	<i>SEAL KIT, SGL MECH, CE/CA, VITON - ZP1 6/15/18</i>	<i>1</i>
	<i>P1GX015000-N</i>	<i>SEAL KIT, SGL MECH, ELASTOMERS ONLY, BUNA - ZP1 6/15/18</i>	<i>1</i>
2	P1GS015000-N	SEAL KIT, SGL MECH, SC/CA, BUNA - ZP1 6/15/18	1
	P1GX015000-V	SEAL KIT, SGL MECH, ELASTOMERS ONLY, VITON - ZP1 6/15/18	1
	<i>P1GS015000-E</i>	<i>SEAL KIT, SGL MECH, SC/CA, EPDM - ZP1 6/15/18</i>	<i>1</i>
	<i>P1GS015000-V</i>	<i>SEAL KIT, SGL MECH, SC/CA, VITON - ZP1 6/15/18</i>	<i>1</i>
4	P1GS015010-N	SEAL KIT, SGL MECH, SC/SC, BUNA - ZP1 6/15/18	1
	<i>P1GS015010-E</i>	<i>SEAL KIT, SGL MECH, SC/SC, EPDM - ZP1 6/15/18</i>	<i>1</i>
	<i>P1GS015010-V</i>	<i>SEAL KIT, SGL MECH, SC/SC, VITON - ZP1 6/15/18</i>	<i>1</i>

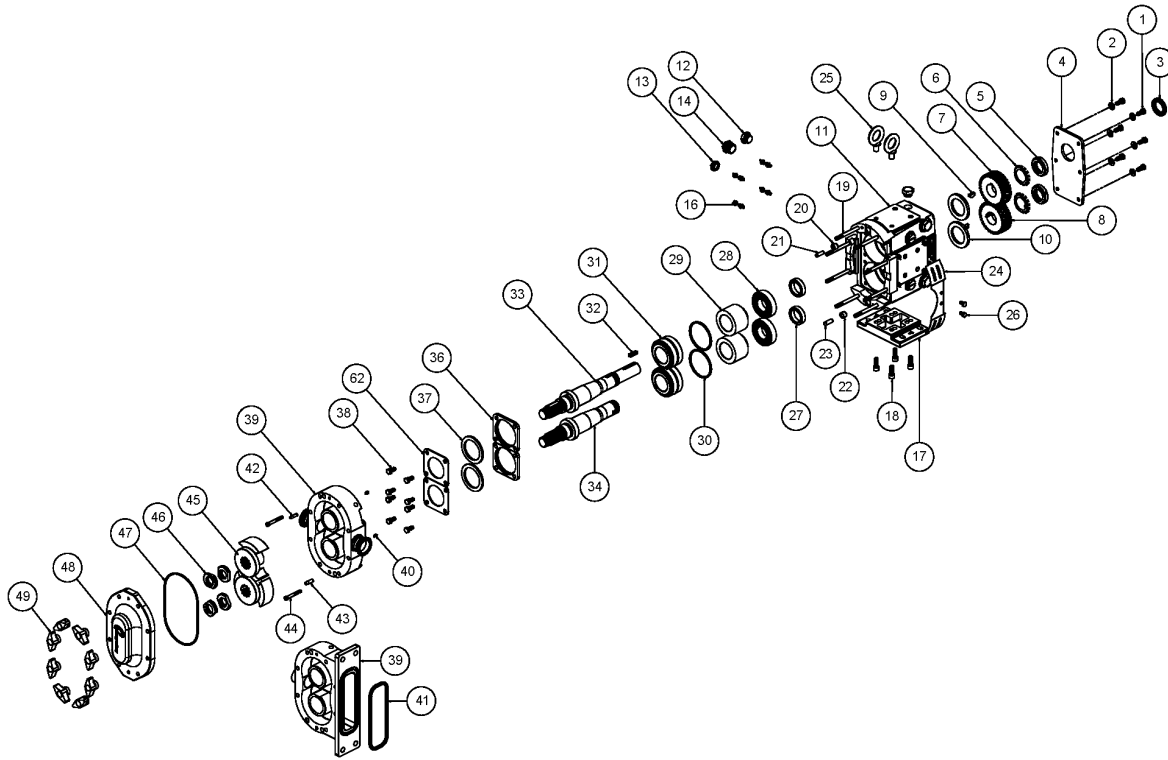


* Not included with Elastomer Only Kits

Double Mechanical Seal Kit

Optional Items Shown in ITALICS

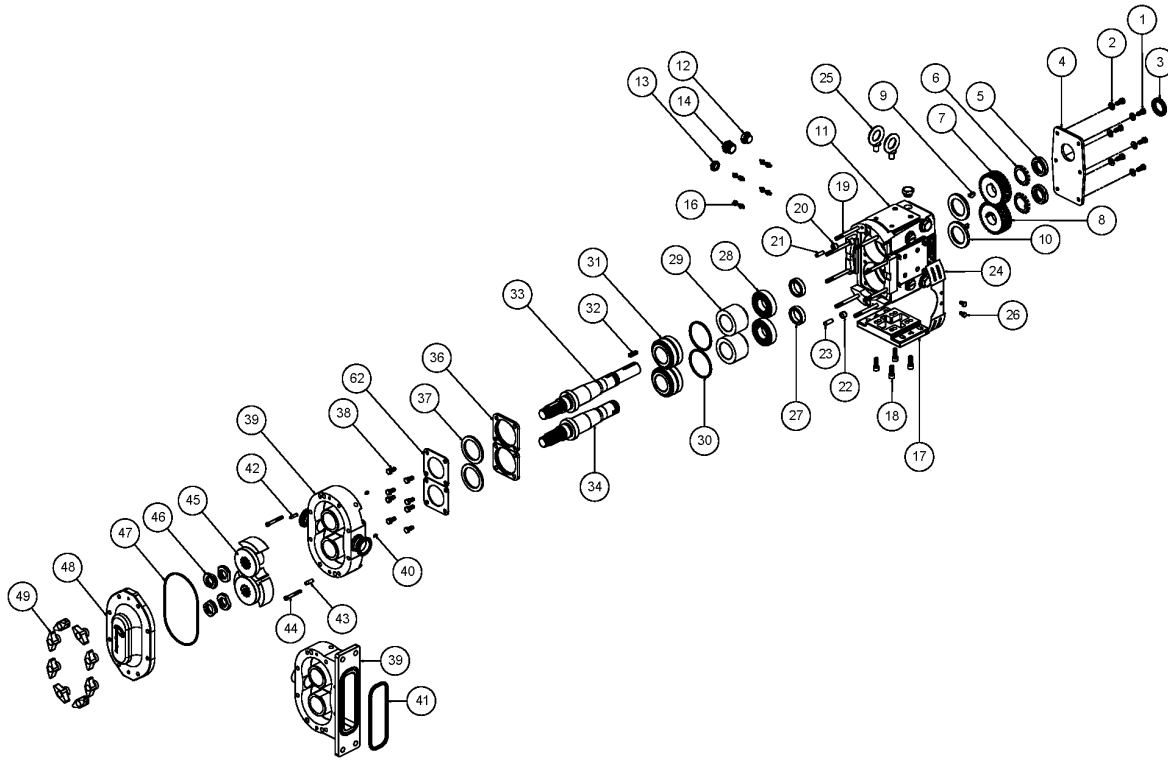
Ref #	Component Item No.	Description	Qty Per
1	P1GX015200-V	SEAL KIT, DBL MECH, ELASTOMERS ONLY, VITON - ZP1 6/15/18	1
3	P1GS015200-N	SEAL KIT, DBL MECH, SC/CA/CA, BUNA - ZP1 6/15/18	1
	P1GS015220-N	SEAL KIT, DBL MECH, CE/CA/CA, BUNA - ZP1 6/15/18	1
	<i>P1GS015200-E</i>	<i>SEAL KIT, DBL MECH, SC/CA/CA, EPDM - ZP1 6/15/18</i>	<i>1</i>
	<i>P1GS015220-E</i>	<i>SEAL KIT, DBL MECH, CE/CA/CA, EPDM - ZP1 6/15/18</i>	<i>1</i>
	<i>P1GX015200-E</i>	<i>SEAL KIT, DBL MECH, ELASTOMERS ONLY, EPDM - ZP1 6/15/18</i>	<i>1</i>
	<i>P1GS015200-V</i>	<i>SEAL KIT, DBL MECH, SC/CA/CA, VITON - ZP1 6/15/18</i>	<i>1</i>
	<i>P1GS015220-V</i>	<i>SEAL KIT, DBL MECH, CE/CA/CA, VITON - ZP1 6/15/18</i>	<i>1</i>
	<i>P1GX015200-N</i>	<i>SEAL KIT, DBL MECH, ELASTOMERS ONLY, BUNA - ZP1 6/15/18</i>	<i>1</i>
5	P1GS015210-N	SEAL KIT, DBL MECH, SC/SC/CA, BUNA - ZP1 6/15/18	1
	<i>P1GS015210-E</i>	<i>SEAL KIT, DBL MECH, SC/SC/CA, EPDM - ZP1 6/15/18</i>	<i>1</i>
	<i>P1GS015210-V</i>	<i>SEAL KIT, DBL MECH, SC/SC/CA, VITON - ZP1 6/15/18</i>	<i>1</i>



Exploded View

Optional Items Shown in ITALICS

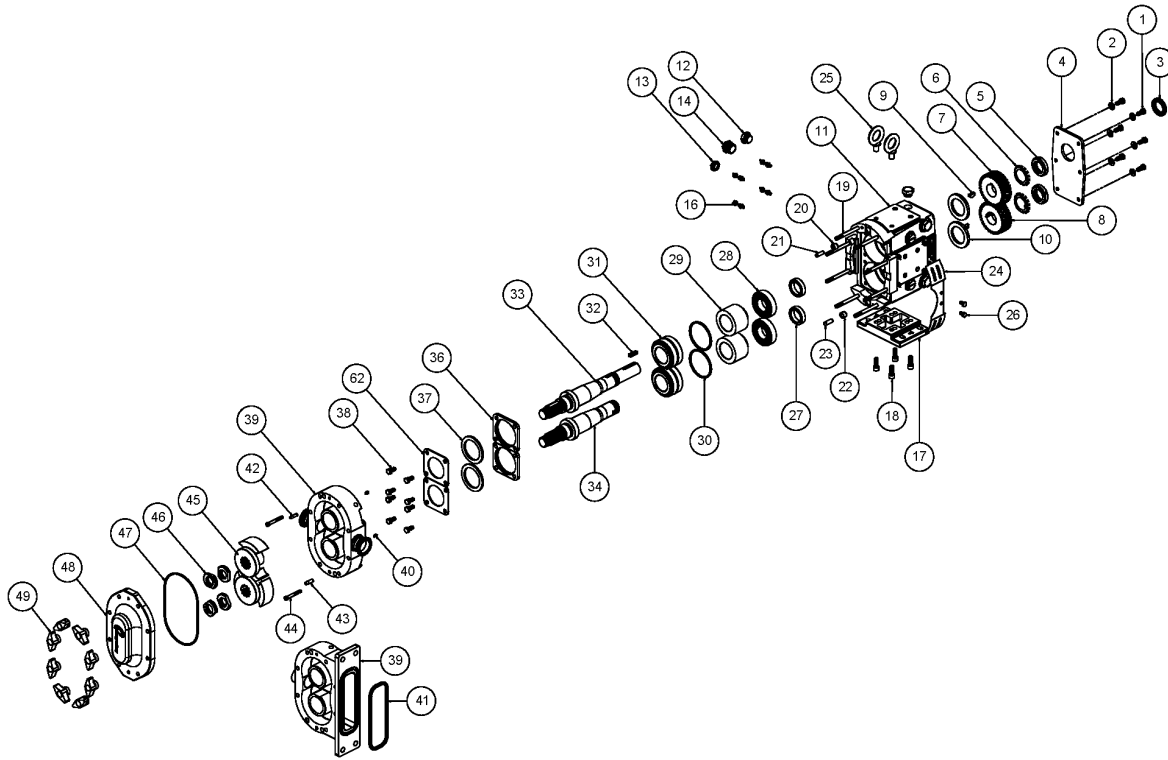
Ref #	Component Item No.	Description	Qty Per
1	P1GX30-58	HEX HEAD CAP SCREW G.CASE COVER, SS - ZP1 & ZP2 6/15/18	6
2	P1GX43-108	FLAT WASHER, G CASE COVER, 1/4 X 5/8 OD, SS - ZP1 & ZP2 6/15	6
3	P1GX000030016-ND	OIL SEAL, PTFE, GEAR CASE COVER - ZP1 & ZP2 6/15/18	1
	<i>P1GX000030016</i>	<i>OIL SEAL, GEAR CASE COVER - ZP1 & ZP2 6/15/18</i>	1
4	P1SX020106000	GEAR CASE COVER, SS - ZP1 & ZP2 6/15/18/24	1
5	P1GXSTD236005	GEAR LOCK NUT - ZP1 & ZP2 6/15/18	2
6	P1GXSTD136005	GEAR LOCKWASHER ZP1 & ZP2 6/15/18	2
7	P1GX015007001	GEAR DRIVE SHAFT ZP1 & ZP2 6/15/18	1
8	P1GX015007002	GEAR SHORT SHAFT ZP1 & ZP2 6/15/18	1
9	P1GX015037000	GEAR KEY - ZP1 & ZP2 6/15/18/24	2
10	P1GX000030017	OIL SEAL, REAR - ZP1 & ZP2 6/15/18	2
11	P1SX020005000	GEAR CASE, SS - ZP1 & ZP2 6/15/18/24	1
12	P1GX115798	PLUG,HEX,20M X1.5,W/NBR SEAL	5
13	P1GX115799	GAUGE,OIL,LVL,INDIC,M-20X1.5	1
14	P1GX20PLUG-SS	CLEANOUT PLUG, SS - ZP1 6/15/18	4
	<i>P1GX20PLUG</i>	<i>CLEANOUT PLUG, YELLOW - ZP1 6/15/18</i>	4
16	P1GXBD0092001	GREASE FITTING, THREADED 1/4"-28 TAPER, SS	8
17	P1SX020110000	GEAR CASE BASE, SS - ZP1 & ZP2 6/15/18/24	1
18	P1GX15SHCSGCB	SHCS, G. CASE BASE, (18-8 SS) 5/16-18 X 3/4 - ZP1 & ZP2 6/15	4
19	P1GX018011000	STUD, ZP1 18	8
	<i>P1GXAD0011100</i>	<i>STUD, JACKETED COVER, ZP1 18</i>	8
20	P1GXAD0116000	UPPER DOWEL BUSHING - ZP1 & ZP2 6/15/18	1
21	P1GX124581	DOWEL PIN - ZP1 & ZP2 6/15/18/24	1
22	P1GXAD0116100	LOWER DOWEL BUSHING - ZP1 & ZP2 6/15/18	1
23	P1GX124582	DOWEL PIN - ZP1 & ZP2 45/60/64/130/134	1
24	P1SX020CEGUARD	GUARD,6-24,(CE),GC,SS	2
26	P1GX000CENAIL	DRIVENAIL,ZP,GEAR CASE GUARDS	4



Exploded View

Optional Items Shown in ITALICS

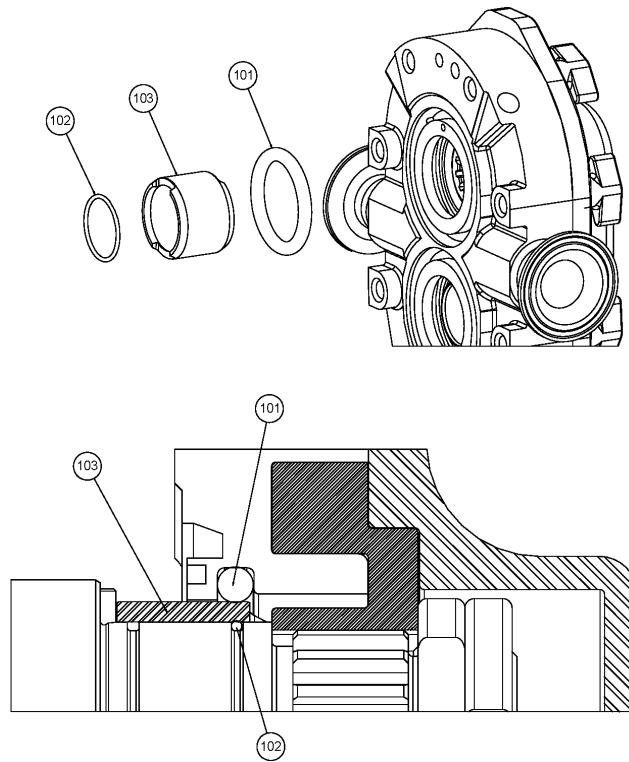
Ref #	Component Item No.	Description	Qty Per
27	P1GX015055000	GEAR TO REAR BEARING SPACER - ZP1 & ZP2 6/15/18/24	2
28	P1GX015035000	REAR BEARING - ZP1 & ZP2 6/14/15/18/24	2
29	P1GX101814	BEARING SPACER - ZP1 & ZP2 6/15/18/24	2
30	P1GX117889	SHIM KIT - ZP1 & ZP2 6/15/18/24	2
31	P1GX101714	FRONT BEARING - ZP1 & ZP2 6/14/15/18/24	2
32	P1GX000037001	DRIVE KEY, 3/16 SQ. X 1-1/8" - ZP1 & ZP2 6/15/18	1
33	P1SX114644	DRIVE SHAFT (17-4PH) - ZP1 18 (TAPER)	1
34	P1SX114645	SHORT SHAFT (17-4PH) - ZP1 18 (TAPER)	1
36	P1SX120332	BEARING RETAINER, NEW STYLE 3A - ZP1 & ZP2 6/15/18/24	2
37	P1GX121679-ND	GREASE SEAL, PTFE, FRONT BEARING RET. 3A - ZP1 & ZP2 6/15/18	2
	<i>P1GX121679</i>	<i>GREASE SEAL FRONT BEARING RET. 3A - ZP1 & ZP2 6/15/18</i>	2
38	P1GX30-58	HEX HEAD CAP SCREW G.CASE COVER, SS - ZP1 & ZP2 6/15/18	8
39	P1BDY018001000	BODY - ZP1 18	1
	<i>P1BDY018001F00</i>	<i>BODY - ZP1 18 - FLUSHED</i>	1
40	P1GX015126000	STOP PIN, SEAL - ZP1 & ZP2 6/15	2
42	P1GX124581	DOWEL PIN - ZP1 & ZP2 6/15/18/24	1
43	P1GX124582	DOWEL PIN - ZP1 & ZP2 45/60/64/130/134	1
44	P1GX18RETSREW	CAPSCRW,SH,1/4-20X1-3/4,18-8SS ZP1 SCKT HD	2
45	P1RTB018010000	ROTOR TWIN BLADE - ALLOY 88 - ZP1 18	2
	<i>P1RTB01801000H</i>	<i>ROTOR TWIN BLADE - ALLOY 88 - ZP1 18 - HOT CLEARANCE</i>	2
	<i>P1RTB0180100HC</i>	<i>ROTOR TWIN BLADE - ALLOY 88 - ZP1 18 - HOT CHOCOLATE</i>	2
	<i>P1RTB018010200</i>	<i>ROTOR TWIN BLADE - 316L - ZP1 18</i>	2
46	P1SXAD0052001	ROTOR JAM NUT - ZP1 6/15/18/24	4
47	N70252	O-RING, COVER (BUNA) - ZP1 6/15/18/24	1
	<i>S75252</i>	<i>O-RING, COVER (SILICONE) - ZP1 6/15/18/24</i>	1
	<i>V70252</i>	<i>O-RING, COVER (VITON) - ZP1 6/15/18/24</i>	1
	<i>E70252</i>	<i>O-RING, COVER (EPDM) - ZP1 6/15/18/24</i>	1



Exploded View

Optional Items Shown in ITALICS

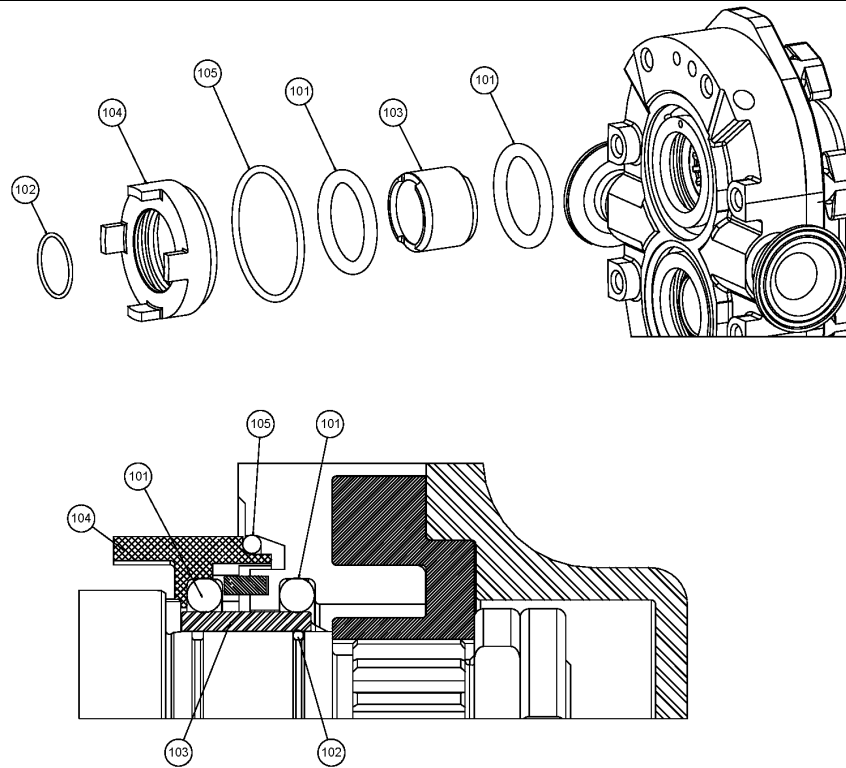
Ref #	Component Item No.	Description	Qty Per
48	P1CVRAD0002S00	COVER - ZP1 6/15/18	1
	<i>P1CVRAD0002J10</i>	<i>COVER, JACKETED - ZP1 6/15/18</i>	<i>1</i>
49	P1GX105850	WING NUT - ZP1 & ZP2 6/15/18	8
	<i>P1SX108369</i>	<i>COVER HEX NUT - ZP1 & ZP2 6/15/18/24</i>	<i>8</i>
62	P1SX020SPLATE	BEARING RETAINER SPLASH PLATE - ZP1 & ZP2 6/15/18	2
900	P1GXAD0096001	PICK,COMBO,O-RING ZP1 ZP2	1
901	P1GX000140003	OIL,460FG,MAGNAPLT,1GAL ZP	1
902	P1GX000140002	GREASE,HALO GUARD,14OZ TUBE ZP	1
903	P1GXRTVSEAL	SILICONE,DOW,732,30Z ZP1 ZP2	1
904	P1GX109895	WRENCH,6-24,RTR NUT ZP1 6-24	1



Single O-Ring Seal

Optional Items Shown in ITALICS

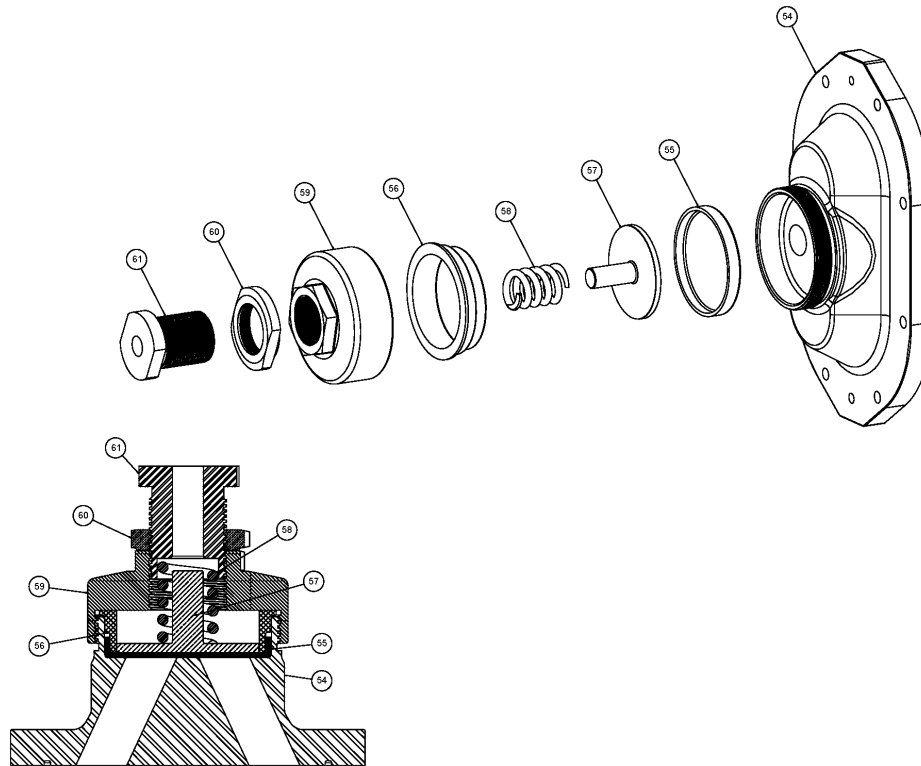
Ref #	Component Item No.	Description	Qty Per
101	P1GXAD0079000	O-RING, BODY (BUNA) - ZP1 6/15/18	2
	<i>P1GXAD0079002</i>	<i>O-RING, BODY (EPDM) - ZP1 6/15/18</i>	2
	<i>P1GXAD0079V00</i>	<i>O-RING, BODY (VITON) - ZP1 6/15/18</i>	2
	<i>P1GXAD0079SC0</i>	<i>O-RING, BODY (SILICONE) - ZP1 6/15/18</i>	2
102	N70022	O-RING, SHAFT (BUNA) - ZP1 6/15/18	2
	<i>E70022</i>	<i>O-RING, SHAFT (EPDM) - ZP1 6/15/18</i>	2
	<i>V70022</i>	<i>O-RING, SHAFT (VITON) - ZP1 6/15/18</i>	2
	<i>S75022</i>	<i>O-RING, SHAFT (SILICONE) - ZP1 6/15/18</i>	2
103	P1SX015098001	SLEEVE (17-4PH H900) ZP1 6/15/18 - SLOTTED	2
	<i>P1SX015098004</i>	<i>ZIRCONIA SLEEVE - ZP1 6/15/18</i>	2
	<i>P1SX015098002</i>	<i>CHROME OXIDE SLEEVE (316L) - ZP1 6/15/18</i>	2



Double O-Ring Seal

Optional Items Shown in ITALICS

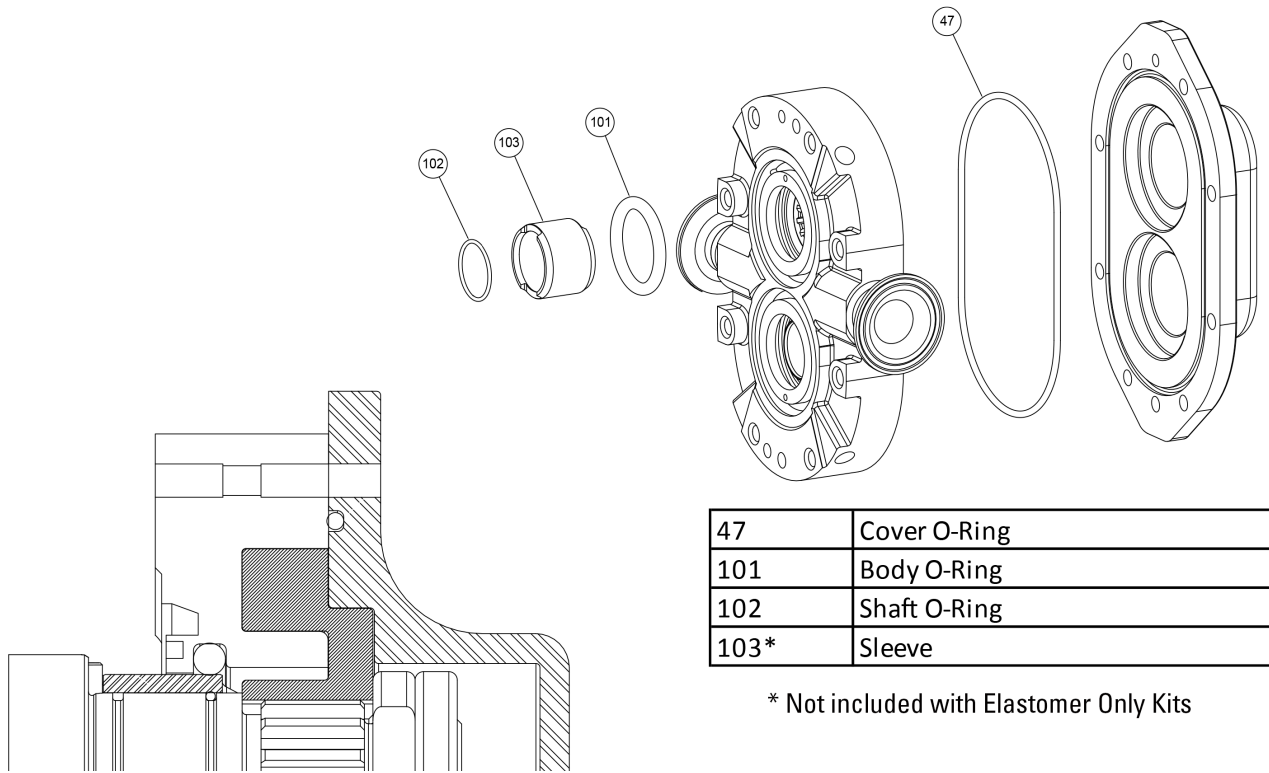
Ref #	Component Item No.	Description	Qty Per
101	P1GXAD0079000	O-RING, BODY (BUNA) - ZP1 6/15/18	4
	<i>P1GXAD0079002</i>	<i>O-RING, BODY (EPDM) - ZP1 6/15/18</i>	4
	<i>P1GXAD0079V00</i>	<i>O-RING, BODY (VITON) - ZP1 6/15/18</i>	4
	<i>P1GXAD0079SC0</i>	<i>O-RING, BODY (SILICONE) - ZP1 6/15/18</i>	4
102	N70022	O-RING, SHAFT (BUNA) - ZP1 6/15/18	2
	<i>E70022</i>	<i>O-RING, SHAFT (EPDM) - ZP1 6/15/18</i>	2
	<i>V70022</i>	<i>O-RING, SHAFT (VITON) - ZP1 6/15/18</i>	2
	<i>S75022</i>	<i>O-RING, SHAFT (SILICONE) - ZP1 6/15/18</i>	2
103	P1SX015098001	SLEEVE (17-4PH H900) ZP1 6/15/18 - SLOTTED	2
	<i>P1SX015098004</i>	<i>ZIRCONIA SLEEVE - ZP1 6/15/18</i>	2
	<i>P1SX015098002</i>	<i>CHROME OXIDE SLEEVE (316L) - ZP1 6/15/18</i>	2
104	P1SX015034002	O-RING SEAL CARRIER, 3A NEW STYLE - ZP1 6/15/18/24	2
105	N50228	O-RING, OUTER SEAL (BUNA) - ZP1 6/15/18/24	2
	<i>E50228</i>	<i>O-RING, OUTER SEAL (EPDM) - ZP1 6/15/18/24</i>	2
	<i>V50228</i>	<i>O-RING, OUTER SEAL (VITON) - ZP1 6/15/18/24</i>	2



Pressure Relief Cover

Optional Items Shown in ITALICS

Ref #	Component Item No.	Description	Qty Per
54	P1CVRAD0002VS0	VENTED FRONT COVER, ZP1 - 6/15/18	1
55	P1GXAD0078000	RUBBER DIAPHRAGM, BUNA, ZP1 & ZP2 & ZP3 - 6/15/18/30/34/40	1
	<i>P1GXAD0078EP0</i>	<i>RUBBER DIAPHRAGM, EPDM, ZP1 & ZP2 & ZP3 - 6/15/18/30/34/40</i>	1
	<i>P1GXAD0078V00</i>	<i>RUBBER DIAPHRAGM, VITON, ZP1 & ZP2 & ZP3 - 6/15/18/30/34/40</i>	1
56	P1SXAD0077000	DIAPHRAGM BUSHING, ZP1 & ZP2 & ZP3 - 6/15/18/30/34/40	1
57	P1SXAD0073000	SPRING PLUNGER, ZP1 & ZP2 & ZP3 - 6/15/18/30/34/40	1
58	P1SXAD0076000	SPRING, MEDIUM, (LESS THAN 150 PSI), ZP1 & ZP2 & ZP3 - 6/15/18/30/34/40	1
	<i>P1SXABB076100</i>	<i>SPRING, HIGH, (MORE THAN 150 PSI), ZP1 & ZP2 & ZP3 - 6/15/18/30/34/40</i>	1
59	P1SXAD0075000	COVER NUT, ZP1 & ZP2 & ZP3 - 6/15/18/30/34/40	1
60	P1SXAD0074000	LOCKNUT, ZP1 & ZP2 & ZP3 - 6/15/18/30/34/40	1
61	P1SXAD0072000	ADJUSTING SCREW, ZP1 & ZP2 & ZP3 - 6/15/18/30/34/40	1



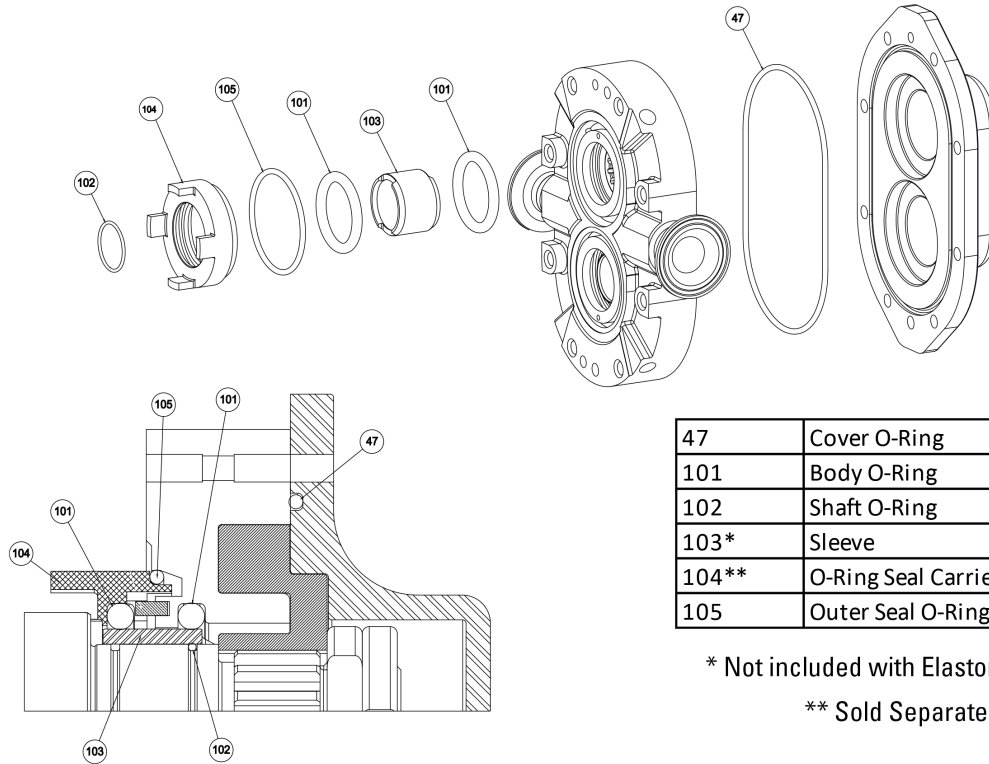
47	Cover O-Ring
101	Body O-Ring
102	Shaft O-Ring
103*	Sleeve

* Not included with Elastomer Only Kits

Single O-Ring Seal Kit

Optional Items Shown in ITALICS

Ref #	Component Item No.	Description	Qty Per
1	P1GX015000-E	SEAL KIT, SGL O-RING, ELASTOMERS ONLY, EPDM - ZP1 6/15/18	1
2	<i>P1GX015000-N</i>	<i>SEAL KIT, SGL O-RING, ELASTOMERS ONLY, BUNA - ZP1 6/15/18</i>	<i>1</i>
	<i>P1GX015000-V</i>	<i>SEAL KIT, SGL O-RING, ELASTOMERS ONLY, VITON - ZP1 6/15/18</i>	<i>1</i>
3	P1GS01500Z-N	SEAL KIT, SGL O-RING, ZIRCONIA SLVS, BUNA - ZP1 6/15/18	1
	<i>P1GS01500Z-E</i>	<i>SEAL KIT, SGL O-RING, ZIRCONIA SLVS, EPDM - ZP1 6/15/18</i>	<i>1</i>
	<i>P1GS01500Z-V</i>	<i>SEAL KIT, SGL O-RING, ZIRCONIA SLVS, VITON - ZP1 6/15/18</i>	<i>1</i>
5	P1GS01500S-N	SEAL KIT, SGL O-RING, 17-4 SS SLVS, BUNA - ZP1 6/15/18	1
	<i>P1GS01500S-E</i>	<i>SEAL KIT, SGL O-RING, 17-4 SS SLVS, EPDM - ZP1 6/15/18</i>	<i>1</i>
	<i>P1GS01500S-V</i>	<i>SEAL KIT, SGL O-RING, 17-4 SS SLVS, VITON - ZP1 6/15/18</i>	<i>1</i>



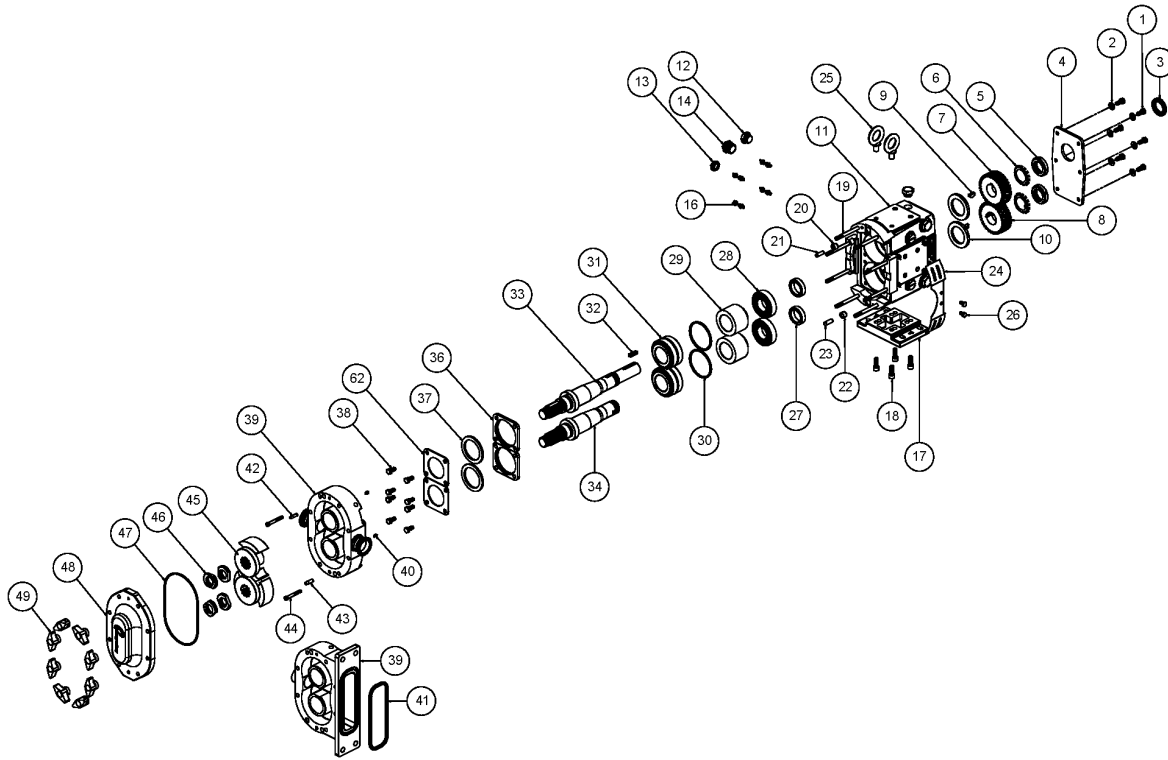
47	Cover O-Ring
101	Body O-Ring
102	Shaft O-Ring
103*	Sleeve
104**	O-Ring Seal Carrier
105	Outer Seal O-Ring

* Not included with Elastomer Only Kits
** Sold Separately

Double O-Ring Seal Kit

Optional Items Shown in ITALICS

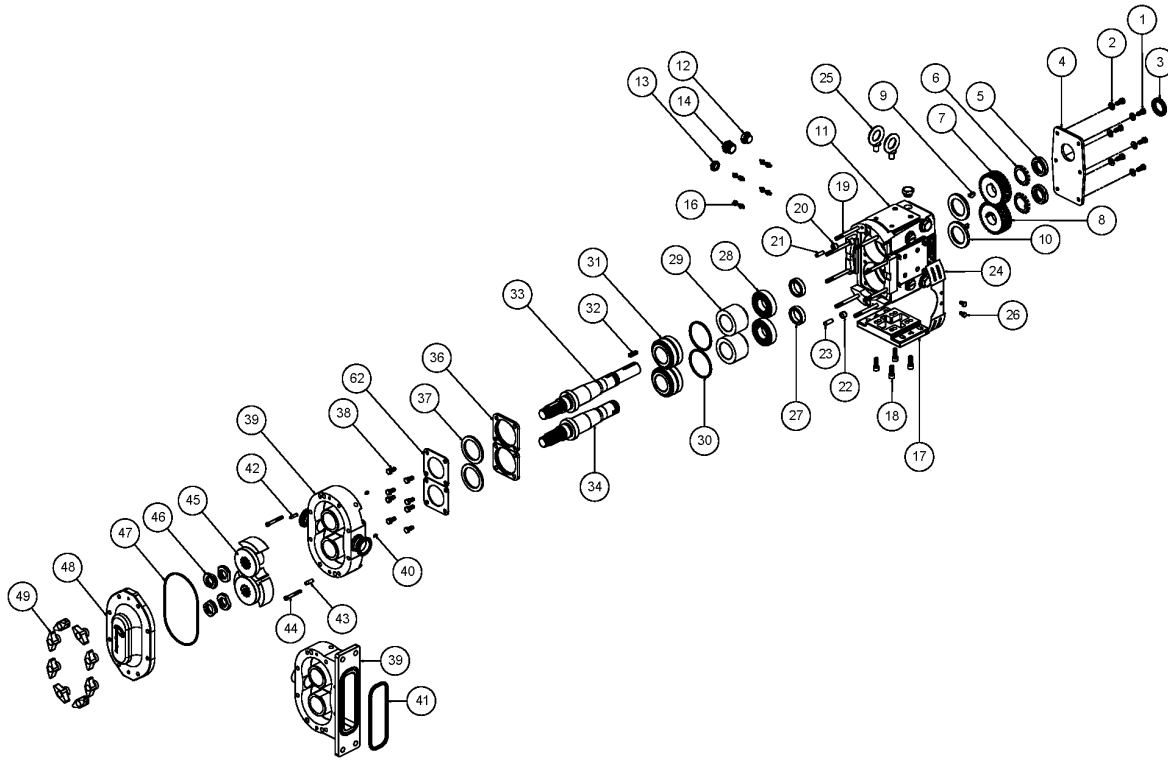
Ref #	Component Item No.	Description	Qty Per
1	P1GS01520S-N	SEAL KIT, DBL O-RING, 17-4 SS SLVS, BUNA - ZP1 6/15/18	1
	<i>P1GS01520S-E</i>	<i>SEAL KIT, DBL O-RING, 17-4 SS SLVS, EPDM - ZP1 6/15/18</i>	<i>1</i>
	<i>P1GX015200-N</i>	<i>SEAL KIT, DBL O-RING, ELASTOMERS ONLY, BUNA - ZP1 6/15/18</i>	<i>1</i>
	<i>P1GS01520S-V</i>	<i>SEAL KIT, DBL O-RING, 17-4 SS SLVS, VITON - ZP1 6/15/18</i>	<i>1</i>
	<i>P1GX015200-V</i>	<i>SEAL KIT, DBL O-RING, ELASTOMERS ONLY, VITON - ZP1 6/15/18</i>	<i>1</i>
2	P1GS01520Z-N	SEAL KIT, DBL O-RING, ZIRCONIA SLVS, BUNA - ZP1 6/15/18	1
	<i>P1GS01520Z-E</i>	<i>SEAL KIT, DBL O-RING, ZIRCONIA SLVS, EPDM - ZP1 6/15/18</i>	<i>1</i>
	<i>P1GS01520Z-V</i>	<i>SEAL KIT, DBL O-RING, ZIRCONIA SLVS, VITON - ZP1 6/15/18</i>	<i>1</i>
3	P1GX015200-E	SEAL KIT, DBL O-RING, ELASTOMERS ONLY, EPDM - ZP1 6/15/18	1



Exploded View

Optional Items Shown in ITALICS

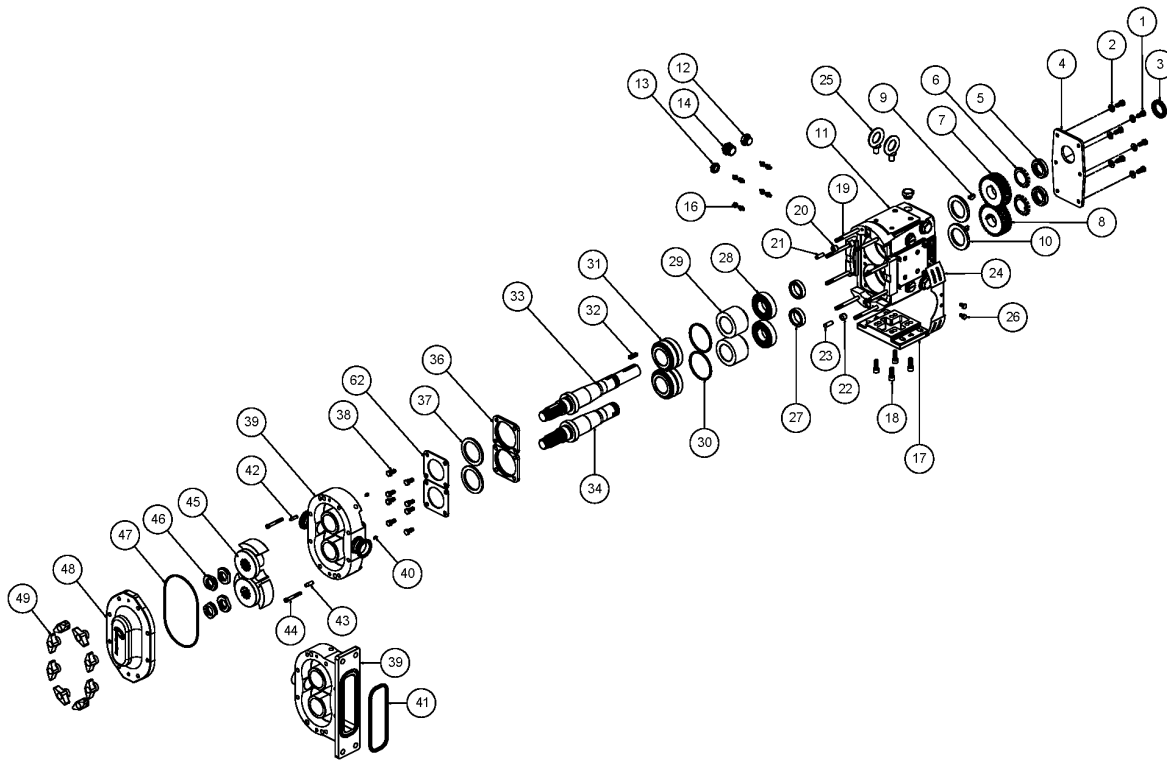
Ref #	Component Item No.	Description	Qty Per
1	P1GX30-58	HEX HEAD CAP SCREW G.CASE COVER, SS - ZP1 & ZP2 6/15/18	6
2	P1GX43-108	FLAT WASHER, G CASE COVER, 1/4 X 5/8 OD, SS - ZP1 & ZP2 6/15	6
3	P1GX000030013-ND	OIL SEAL, PTFE, GEAR CASE COVER - ZP1 & ZP2 30/34	1
	<i>P1GX000030013</i>	<i>OIL SEAL, GEAR CASE COVER - ZP1 & ZP2 30/34</i>	1
4	P1SX040106000	GEAR CASE COVER, SS - ZP1 & ZP2 30/34	1
5	P1GXCD0036N00	GEAR LOCKNUT ZP1 & ZP2 30/34	2
6	P1GXCD0036W00	GEAR LOCKWASHER ZP2 30/34	2
7	P1GX030007001	GEAR DRIVE SHAFT ZP1 & ZP2 30/34	1
8	P1GX030007002	GEAR SHORT SHAFT ZP1 & ZP2 30/34	1
9	P1GXBD0037000	GEAR KEY - ZP1 & ZP2 30/34	2
10	P1GX000030014	OIL SEAL, REAR - ZP1 & ZP2 30/34	2
11	P1SX040005000	GEAR CASE, SS - ZP1 & ZP2 30/34	1
12	P1GX115798	PLUG,HEX,20M X1.5,W/NBR SEAL	5
13	P1GX115799	GAUGE,OIL,LVL,INDIC,M-20X1.5	1
14	P1GX70PLUG-SS	CLEAN OUT PLUG, SS - ZP1 & ZP2 30/34	4
	<i>P1GX70PLUG</i>	<i>CLEAN OUT PLUG, YELLOW - ZP1 & ZP2 30/34</i>	4
16	P1GXBD0092001	GREASE FITTING, THREADED 1/4"-28 TAPER, SS	8
17	P1SX040110000	GEAR CASE BASE, SS - ZP1 & ZP2 30/34	1
18	P1GX30SHCSGCB	SHCS, G. CASE BASE, (18-8 SS) 3/8-16 X 1 - ZP1 & ZP2 30/34	4
19	P1GX108842	STUD, ZP1 30	8
	<i>P1GX108845</i>	<i>STUD, JACKETED COVER, ZP1 30</i>	8
20	P1GXBD0116000	UPPER DOWEL BUSHING - ZP1 & ZP2 30/34	1
21	P1GX124582	DOWEL PIN - ZP1 & ZP2 45/60/64/130/134	1
22	P1GXBD0116100	LOWER DOWEL BUSHING - ZP1 & ZP2 30/34	1
23	P1GX124583	DOWEL PIN - ZP1 & ZP2 45/60/64/130/134	1
24	P1SX040CEGUARD	GUARD,30/34,(CE),GC,,SS	2
26	P1GX000CENAIL	DRIVENAIL,ZP,GEAR CASE GUARDS	4



Exploded View

Optional Items Shown in ITALICS

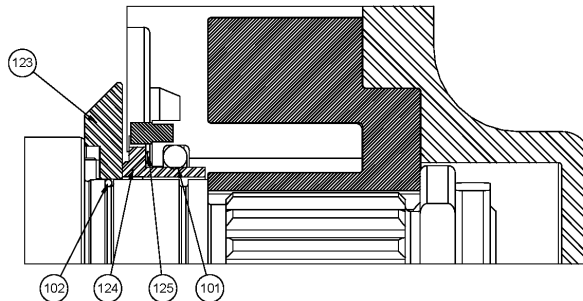
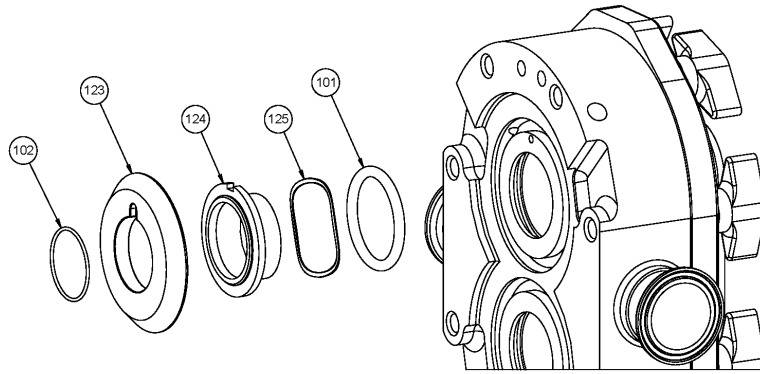
Ref #	Component Item No.	Description	Qty Per
27	P1GX030055000	GEAR TO REAR BEARING SPACER - ZP1 & ZP2 30/33/34	2
28	P1GX030035000	REAR BEARING - ZP1 & ZP2 30/33/34	2
29	P1GX101815	BEARING SPACER - ZP1 & ZP2 30/33/34	2
30	P1GX117890	SHIM KIT - ZP1 & ZP2 30/34	2
31	P1GX101715	FRONT BEARING - ZP1 & ZP2 30/33/34	2
32	P1GX000037002	DRIVE KEY, 1/4" SQ. X 1" - ZP1 & ZP2 30/34	1
33	P1SX114646	DRIVE SHAFT (17-4PH) - ZP1 30/34 (TAPER)	1
34	P1SX114647	SHORT SHAFT (17-4PH) - ZP1 30/34 (TAPER)	1
36	P1SX120333	BEARING RETAINER, NEW STYLE 3A - ZP1 & ZP2 30/34	2
37	P1GX121680-ND	GREASE SEAL, PTFE, FRONT BEARING RET. 3A - ZP1 & ZP2 30/34	2
	<i>P1GX121680</i>	<i>GREASE SEAL FRONT BEARING RET. 3A - ZP1 & ZP2 30/34</i>	2
38	P1GX30-283	5/16-18 X 3/4" HX HD CAP SCREW, SS -ZP1 & ZP2 30	8
39	P1BDY030001000	BODY - ZP1 30	1
	<i>P1BDY030001F00</i>	<i>BODY - ZP1 30 - FLUSHED</i>	1
40	P1GX030126000	STOP PIN SEAL - ZP1 & ZP2 30/34	2
42	P1GX124581	DOWEL PIN - ZP1 & ZP2 6/15/18/24	1
43	P1GX124582	DOWEL PIN - ZP1 & ZP2 45/60/64/130/134	1
44	P1GX30-211	CAPSCRW,SH,1/4-2 X2,18-8SS SCKT HD	2
45	P1RTB030010000	ROTOR TWIN BLADE - ALLOY 88 - ZP1 30/34	2
	<i>P1RTB03001000H</i>	<i>ROTOR TWIN BLADE - ALLOY 88 - ZP1 30/34 - HOT CLEARANCE</i>	2
	<i>P1RTB0300100HC</i>	<i>ROTOR TWIN BLADE - ALLOY 88 - ZP1 30/34 - HOT CHOCOLATE</i>	2
	<i>P1RTB030010200</i>	<i>ROTOR TWIN BLADE - 316L - ZP1 30/34</i>	2
46	P1SXB0052001	ROTOR JAM NUT - ZP1 30/34	4
47	N70261	O-RING, COVER (BUNA) - ZP1 30/33/34	1
	<i>S75261</i>	<i>O-RING, COVER (SILICONE) - ZP1 30/33/34</i>	1
	<i>V70261</i>	<i>O-RING, COVER (VITON) - ZP1 30/33/34</i>	1
	<i>E70261</i>	<i>O-RING, COVER (EPDM) - ZP1 30/33/34</i>	1



Exploded View

Optional Items Shown in ITALICS

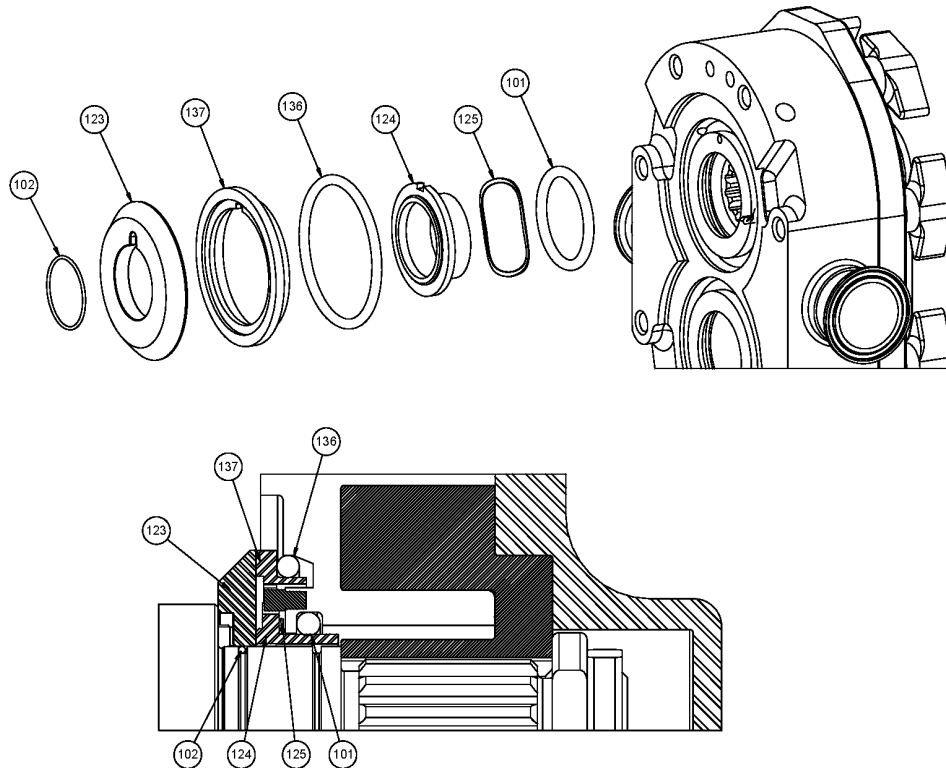
Ref #	Component Item No.	Description	Qty Per
48	P1CVRBD0002S00	COVER - ZP1 30/34	1
	<i>P1CVRBD0002J10</i>	<i>COVER, JACKETED - ZP1 30/34</i>	1
49	P1GX105851	WING NUT - ZP1 & ZP2 30/34	8
	<i>P1SX108370</i>	<i>COVER HEX NUT - ZP1 & ZP2 30/34</i>	8
62	P1SX040SPLATE	BEARING RETAINER SPLASH PLATE - ZP1 & ZP2 30/34	2
900	P1GXAD0096001	PICK,COMBO,O-RING ZP1 ZP2	1
901	P1GX000140003	OIL,460FG,MAGNAPLT,1GAL ZP	1
902	P1GX000140002	GREASE,HALO GUARD,14OZ TUBE ZP	1
903	P1GXRTVSEAL	SILICONE,DOW,732,30Z ZP1 ZP2	1
904	P1GX109896	WRENCH,30/34,RTR NUT ZP1	1



Single Mechanical Seal

Optional Items Shown in ITALICS

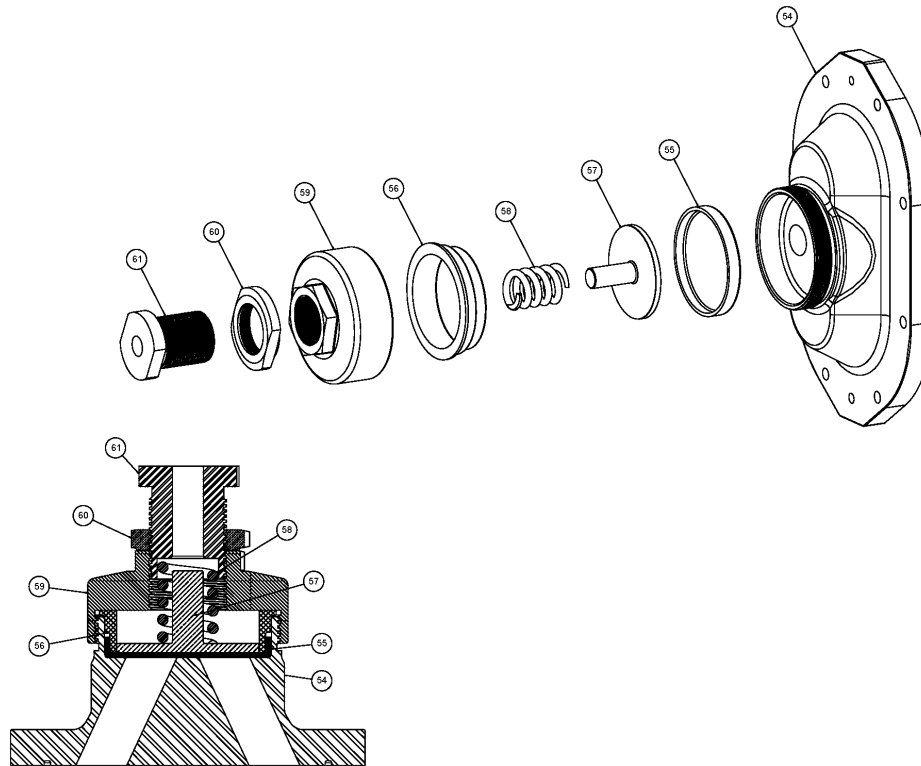
Ref #	Component Item No.	Description	Qty Per
101	N70327	O-RING, BODY (BUNA) - ZP1 30/33/34/40	2
	<i>E70327</i>	<i>O-RING, BODY (EPDM) - ZP1 30/33/34/40</i>	2
	<i>V70327</i>	<i>O-RING, BODY (VITON) - ZP1 30/33/34/40</i>	2
	<i>S75327</i>	<i>O-RING, BODY (SILICONE) - ZP1 30/33/34/40</i>	2
102	N70028	O-RING, SHAFT (BUNA) - ZP1 30/33/34/40	2
	<i>E70028</i>	<i>O-RING, SHAFT (EPDM) - ZP1 30/33/34/40</i>	2
	<i>V70028</i>	<i>O-RING, SHAFT (VITON) - ZP1 30/33/34/40</i>	2
	<i>S75028</i>	<i>O-RING, SHAFT (SILICONE) - ZP1 30/33/34/40</i>	2
123	P1GS030014009	SEAL SEAT (C) ZP1 30/34	2
	<i>P1GS030014002</i>	<i>SEAL SEAT (K) ZP1 30/34</i>	2
	<i>P1GS030014001</i>	<i>SEAL SEAT (CO) ZP1 30/34</i>	2
124	P1GS030306007	SEAL INNER (N) ZP1 30/34	2
	<i>P1GS40821</i>	<i>SEAL INNER (K) ZP1 30/34</i>	2
	<i>P1GS030306009</i>	<i>SEAL INNER (C) ZP1 30/34</i>	2
	<i>P1GS030306002</i>	<i>SEAL INNER (CO) ZP1 30/34</i>	2
125	P1GS030304000	INNER SEAL WAVE SPRING - ZP1 30/34	2



Double Mechanical Seal

Optional Items Shown in ITALICS

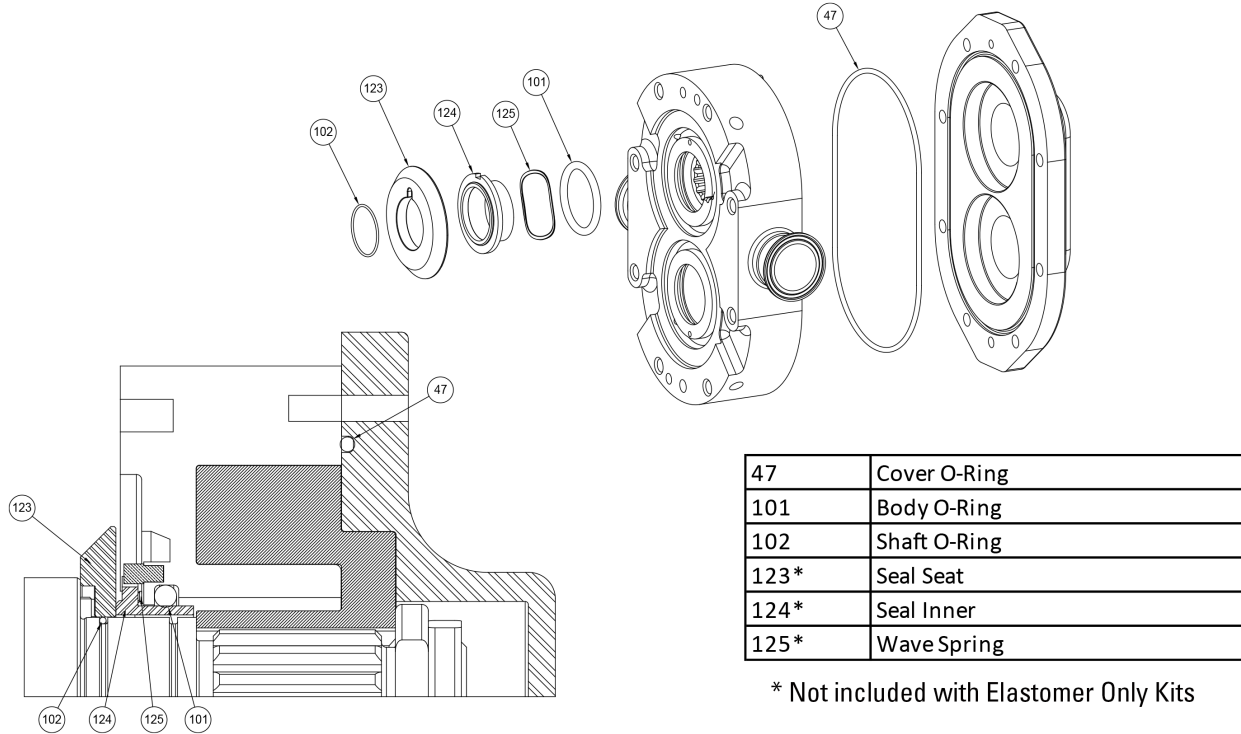
Ref #	Component Item No.	Description	Qty Per
101	N70327	O-RING, BODY (BUNA) - ZP1 30/33/34/40	2
	<i>E70327</i>	<i>O-RING, BODY (EPDM) - ZP1 30/33/34/40</i>	2
	<i>V70327</i>	<i>O-RING, BODY (VITON) - ZP1 30/33/34/40</i>	2
	<i>S75327</i>	<i>O-RING, BODY (SILICONE) - ZP1 30/33/34/40</i>	2
102	N70028	O-RING, SHAFT (BUNA) - ZP1 30/33/34/40	2
	<i>E70028</i>	<i>O-RING, SHAFT (EPDM) - ZP1 30/33/34/40</i>	2
	<i>V70028</i>	<i>O-RING, SHAFT (VITON) - ZP1 30/33/34/40</i>	2
	<i>S75028</i>	<i>O-RING, SHAFT (SILICONE) - ZP1 30/33/34/40</i>	2
123	P1GS030014009	SEAL SEAT (C) ZP1 30/34	2
	<i>P1GS030014002</i>	<i>SEAL SEAT (K) ZP1 30/34</i>	2
	<i>P1GS030014001</i>	<i>SEAL SEAT (CO) ZP1 30/34</i>	2
124	P1GS030306007	SEAL INNER (N) ZP1 30/34	2
	<i>P1GS40821</i>	<i>SEAL INNER (K) ZP1 30/34</i>	2
	<i>P1GS030306009</i>	<i>SEAL INNER (C) ZP1 30/34</i>	2
	<i>P1GS030306002</i>	<i>SEAL INNER (CO) ZP1 30/34</i>	2
125	P1GS030304000	INNER SEAL WAVE SPRING - ZP1 30/34	2
136	N50335	O-RING, OUTER SEAL (BUNA) - ZP1 30/33/34/40	2
	<i>E50335</i>	<i>O-RING, OUTER SEAL (EPDM) - ZP1 30/33/34/40</i>	2
	<i>V50335</i>	<i>O-RING, OUTER SEAL (VITON) - ZP1 30/33/34/40</i>	2
137	P1GS030206007	OUTER SEAL (N) ZP1 30/34	2
	<i>P1GS030206002</i>	<i>OUTER SEAL (CO) ZP1 30/34</i>	2



Pressure Relief Cover

Optional Items Shown in ITALICS

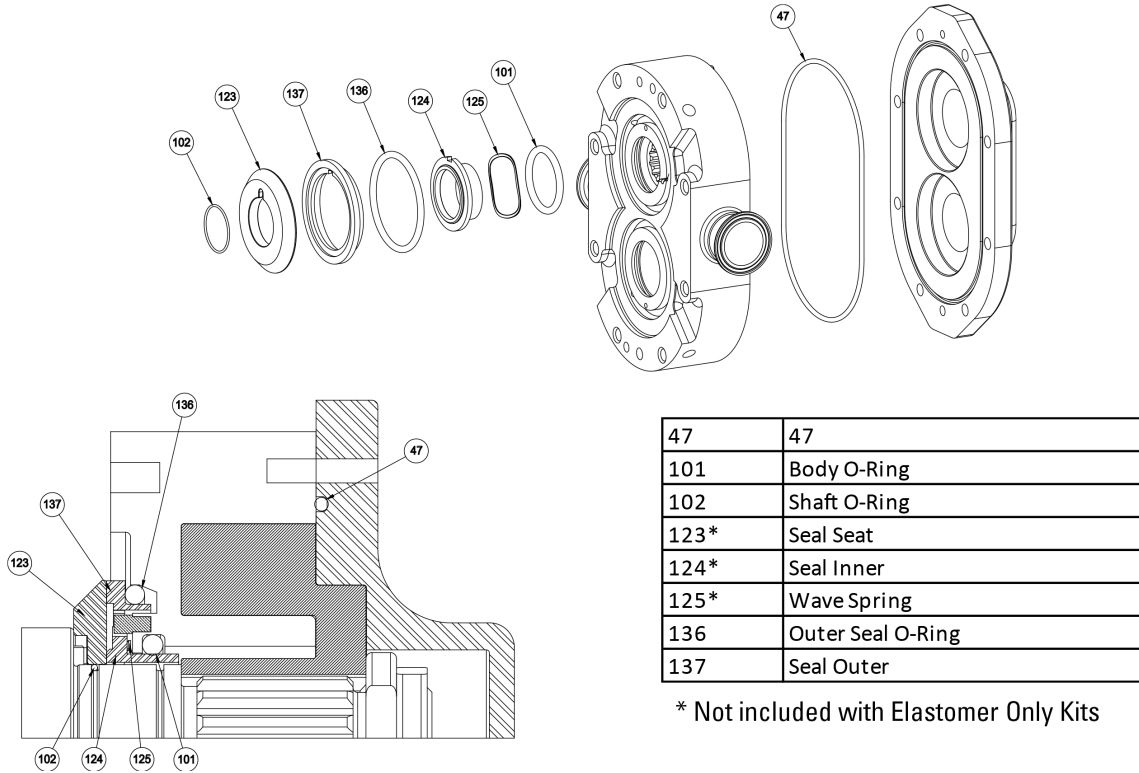
Ref #	Component Item No.	Description	Qty Per
54	P1CVRBD0002VS0	VENTED FRONT COVER, ZP1 - 30/34/40	1
55	P1GXAD0078000	RUBBER DIAPHRAGM, BUNA, ZP1 & ZP2 & ZP3 - 6/15/18/30/34/40	1
	<i>P1GXAD0078EP0</i>	<i>RUBBER DIAPHRAGM, EPDM, ZP1 & ZP2 & ZP3 - 6/15/18/30/34/40</i>	1
	<i>P1GXAD0078V00</i>	<i>RUBBER DIAPHRAGM, VITON, ZP1 & ZP2 & ZP3 - 6/15/18/30/34/40</i>	1
56	P1SXAD0077000	DIAPHRAGM BUSHING, ZP1 & ZP2 & ZP3 - 6/15/18/30/34/40	1
57	P1SXAD0073000	SPRING PLUNGER, ZP1 & ZP2 & ZP3 - 6/15/18/30/34/40	1
58	P1SXAD0076000	SPRING, MEDIUM, (LESS THAN 150 PSI), ZP1 & ZP2 & ZP3 - 6/15/18/30/34/40	1
	<i>P1SXABB076100</i>	<i>SPRING, HIGH, (MORE THAN 150 PSI), ZP1 & ZP2 & ZP3 - 6/15/18/30/34/40</i>	1
59	P1SXAD0075000	COVER NUT, ZP1 & ZP2 & ZP3 - 6/15/18/30/34/40	1
60	P1SXAD0074000	LOCKNUT, ZP1 & ZP2 & ZP3 - 6/15/18/30/34/40	1
61	P1SXAD0072000	ADJUSTING SCREW, ZP1 & ZP2 & ZP3 - 6/15/18/30/34/40	1



Single Mechanical Seal Kit

Optional Items Shown in ITALICS

Ref #	Component Item No.	Description	Qty Per
1	P1GX030000-N	SEAL KIT, SGL MECH, ELASTOMERS ONLY, BUNA - ZP1 30/34/40	1
	<i>P1GX030000-E</i>	<i>SEAL KIT, SGL MECH, ELASTOMERS ONLY, EPDM - ZP1 30/34/40</i>	<i>1</i>
	<i>P1GX030000-V</i>	<i>SEAL KIT, SGL MECH, ELASTOMERS ONLY, VITON - ZP1 30/34/40</i>	<i>1</i>
2	P1GS030000-N	SEAL KIT, SGL MECH, SC/CA, BUNA - ZP1 30/34/40	1
	<i>P1GS030000-E</i>	<i>SEAL KIT, SGL MECH, SC/CA, EPDM - ZP1 30/34/40</i>	<i>1</i>
	<i>P1GS030000-V</i>	<i>SEAL KIT, SGL MECH, SC/CA, VITON - ZP1 30/34/40</i>	<i>1</i>
3	P1GS030020-N	SEAL KIT, SGL MECH, CE/CA, BUNA - ZP1 30/34/40	1
	<i>P1GS030020-E</i>	<i>SEAL KIT, SGL MECH, CE/CA, EPDM - ZP1 30/34/40</i>	<i>1</i>
	<i>P1GS030020-V</i>	<i>SEAL KIT, SGL MECH, CE/CA, VITON - ZP1 30/34/40</i>	<i>1</i>
4	<i>P1GS030030-V</i>	<i>SEAL KIT, SGL MECH, CE/CE, VITON - ZP1 30/34/40</i>	<i>1</i>
	P1GS030010-N	SEAL KIT, SGL MECH, SC/SC, BUNA - ZP1 30/34/40	1
5	<i>P1GS030010-E</i>	<i>SEAL KIT, SGL MECH, SC/SC, EPDM - ZP1 30/34/40</i>	<i>1</i>
	<i>P1GS030010-V</i>	<i>SEAL KIT, SGL MECH, SC/SC, VITON - ZP1 30/34/40</i>	<i>1</i>



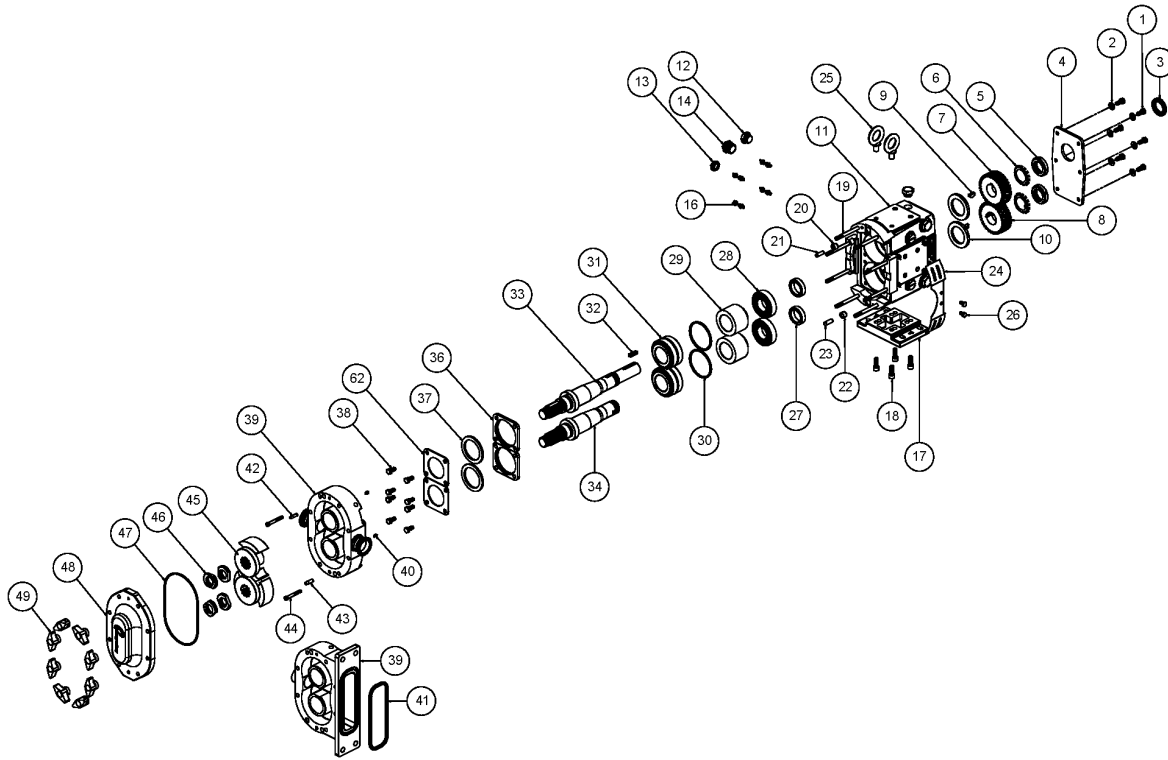
47	47
101	Body O-Ring
102	Shaft O-Ring
123*	Seal Seat
124*	Seal Inner
125*	Wave Spring
136	Outer Seal O-Ring
137	Seal Outer

* Not included with Elastomer Only Kits

Double Mechanical Seal Kit

Optional Items Shown in ITALICS

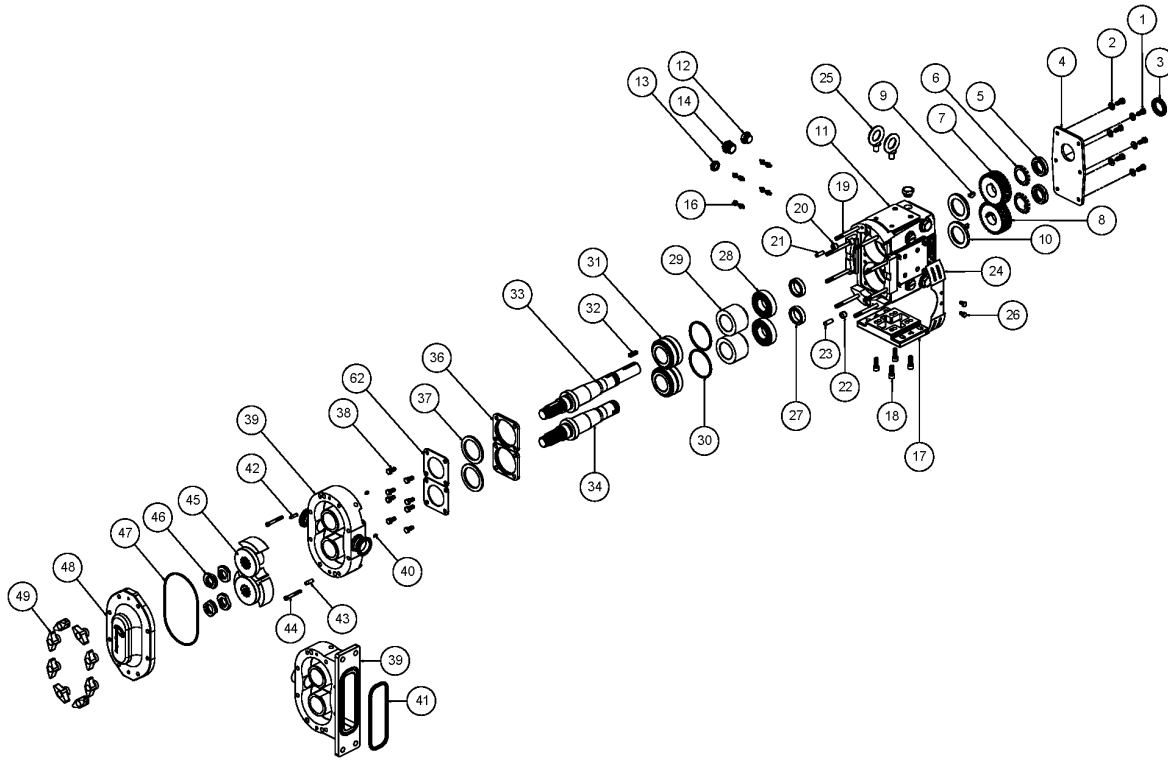
Ref #	Component Item No.	Description	Qty Per
1	P1GX030200-N	SEAL KIT, DBL MECH, ELASTOMERS ONLY, BUNA - ZP1 30/34/40	1
	<i>P1GX030200-E</i>	<i>SEAL KIT, DBL MECH, ELASTOMERS ONLY, EPDM - ZP1 30/34/40</i>	<i>1</i>
	<i>P1GX030200-V</i>	<i>SEAL KIT, DBL MECH, ELASTOMERS ONLY, VITON - ZP1 30/34/40</i>	<i>1</i>
2	P1GS030200-N	SEAL KIT, DBL MECH, SC/CA/CA, BUNA - ZP1 30/34/40	1
	<i>P1GS030200-E</i>	<i>SEAL KIT, DBL MECH, SC/CA/CA, EPDM - ZP1 30/34/40</i>	<i>1</i>
	<i>P1GS030200-V</i>	<i>SEAL KIT, DBL MECH, SC/CA/CA, VITON - ZP1 30/34/40</i>	<i>1</i>
3	P1GS030220-N	SEAL KIT, DBL MECH, CE/CA/CA, BUNA - ZP1 30/34/40	1
	<i>P1GS030220-E</i>	<i>SEAL KIT, DBL MECH, CE/CA/CA, EPDM - ZP1 30/34/40</i>	<i>1</i>
	<i>P1GS030220-V</i>	<i>SEAL KIT, DBL MECH, CE/CA/CA, VITON - ZP1 30/34/40</i>	<i>1</i>
5	P1GS030210-N	SEAL KIT, DBL MECH, SC/SC/CA, BUNA - ZP1 30/34/40	1
	<i>P1GS030210-E</i>	<i>SEAL KIT, DBL MECH, SC/SC/CA, EPDM - ZP1 30/34/40</i>	<i>1</i>
	<i>P1GS030210-V</i>	<i>SEAL KIT, DBL MECH, SC/SC/CA, VITON - ZP1 30/34/40</i>	<i>1</i>



Exploded View

Optional Items Shown in ITALICS

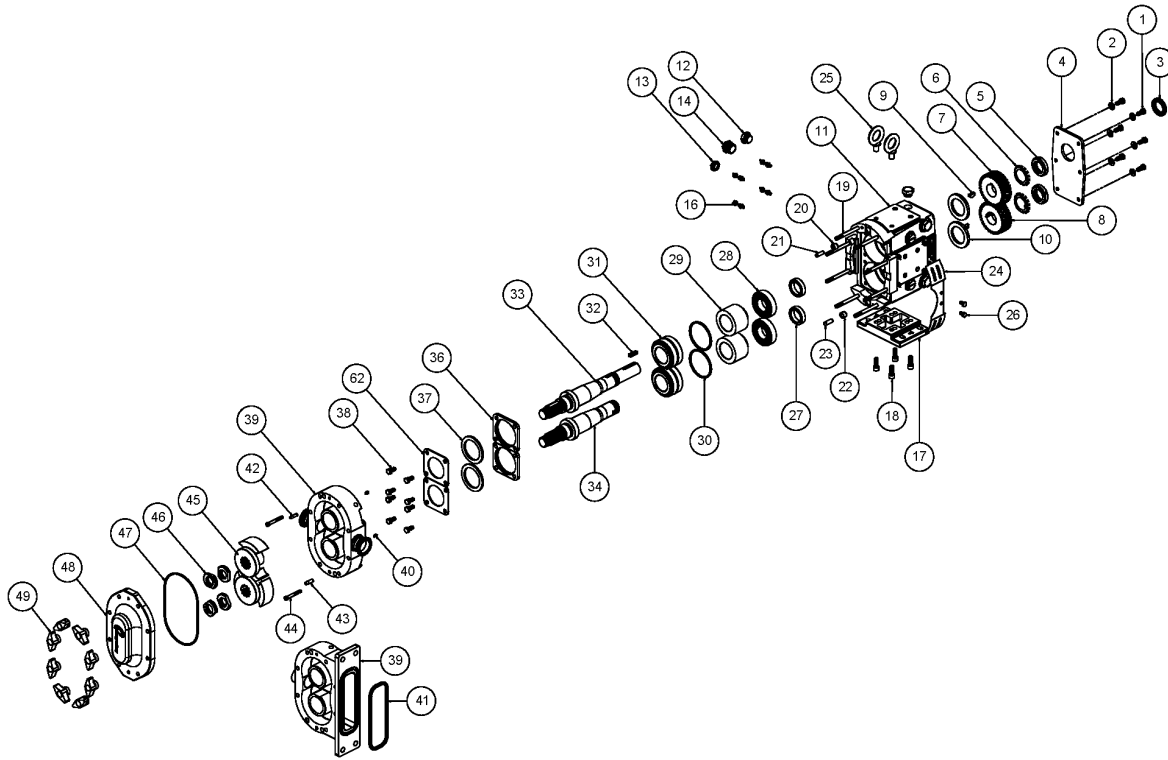
Ref #	Component Item No.	Description	Qty Per
1	P1GX30-58	HEX HEAD CAP SCREW G.CASE COVER, SS - ZP1 & ZP2 6/15/18	6
2	P1GX43-108	FLAT WASHER, G CASE COVER, 1/4 X 5/8 OD, SS - ZP1 & ZP2 6/15	6
3	P1GX000030013-ND	OIL SEAL, PTFE, GEAR CASE COVER - ZP1 & ZP2 30/34	1
	<i>P1GX000030013</i>	<i>OIL SEAL, GEAR CASE COVER - ZP1 & ZP2 30/34</i>	1
4	P1SX040106000	GEAR CASE COVER, SS - ZP1 & ZP2 30/34	1
5	P1GXCD0036N00	GEAR LOCKNUT ZP1 & ZP2 30/34	2
6	P1GXCD0036W00	GEAR LOCKWASHER ZP2 30/34	2
7	P1GX030007001	GEAR DRIVE SHAFT ZP1 & ZP2 30/34	1
8	P1GX030007002	GEAR SHORT SHAFT ZP1 & ZP2 30/34	1
9	P1GXBD0037000	GEAR KEY - ZP1 & ZP2 30/34	2
10	P1GX000030014	OIL SEAL, REAR - ZP1 & ZP2 30/34	2
11	P1SX040005000	GEAR CASE, SS - ZP1 & ZP2 30/34	1
12	P1GX115798	PLUG,HEX,20M X1.5,W/NBR SEAL	5
13	P1GX115799	GAUGE,OIL,LVL,INDIC,M-20X1.5	1
14	P1GX70PLUG-SS	CLEAN OUT PLUG, SS - ZP1 & ZP2 30/34	4
	<i>P1GX70PLUG</i>	<i>CLEAN OUT PLUG, YELLOW - ZP1 & ZP2 30/34</i>	4
16	P1GXBD0092001	GREASE FITTING, THREADED 1/4"-28 TAPER, SS	8
17	P1SX040110000	GEAR CASE BASE, SS - ZP1 & ZP2 30/34	1
18	P1GX30SHCSGCB	SHCS, G. CASE BASE, (18-8 SS) 3/8-16 X 1 - ZP1 & ZP2 30/34	4
19	P1GX108842	STUD, ZP1 30	8
	<i>P1GX108845</i>	<i>STUD, JACKETED COVER, ZP1 30</i>	8
20	P1GXBD0116000	UPPER DOWEL BUSHING - ZP1 & ZP2 30/34	1
21	P1GX124582	DOWEL PIN - ZP1 & ZP2 45/60/64/130/134	1
22	P1GXBD0116100	LOWER DOWEL BUSHING - ZP1 & ZP2 30/34	1
23	P1GX124583	DOWEL PIN - ZP1 & ZP2 45/60/64/130/134	1
24	P1SX040CEGUARD	GUARD,30/34,(CE),GC,,SS	2
26	P1GX000CENAIL	DRIVENAIL,ZP,GEAR CASE GUARDS	4



Exploded View

Optional Items Shown in ITALICS

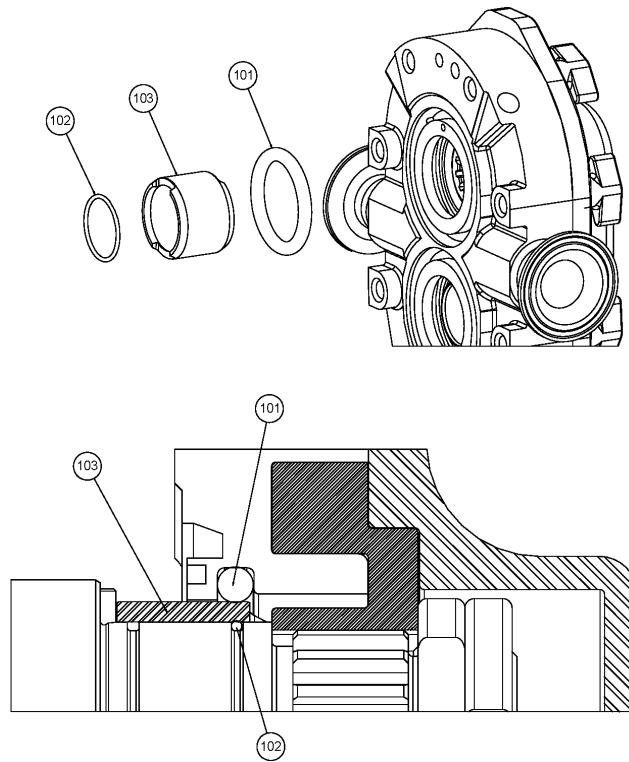
Ref #	Component Item No.	Description	Qty Per
27	P1GX030055000	GEAR TO REAR BEARING SPACER - ZP1 & ZP2 30/33/34	2
28	P1GX030035000	REAR BEARING - ZP1 & ZP2 30/33/34	2
29	P1GX101815	BEARING SPACER - ZP1 & ZP2 30/33/34	2
30	P1GX117890	SHIM KIT - ZP1 & ZP2 30/34	2
31	P1GX101715	FRONT BEARING - ZP1 & ZP2 30/33/34	2
32	P1GX000037002	DRIVE KEY, 1/4" SQ. X 1" - ZP1 & ZP2 30/34	1
33	P1SX114646	DRIVE SHAFT (17-4PH) - ZP1 30/34 (TAPER)	1
34	P1SX114647	SHORT SHAFT (17-4PH) - ZP1 30/34 (TAPER)	1
36	P1SX120333	BEARING RETAINER, NEW STYLE 3A - ZP1 & ZP2 30/34	2
37	P1GX121680-ND	GREASE SEAL, PTFE, FRONT BEARING RET. 3A - ZP1 & ZP2 30/34	2
	<i>P1GX121680</i>	<i>GREASE SEAL FRONT BEARING RET. 3A - ZP1 & ZP2 30/34</i>	2
38	P1GX30-283	5/16-18 X 3/4" HX HD CAP SCREW, SS -ZP1 & ZP2 30	8
39	P1BDY030001000	BODY - ZP1 30	1
	<i>P1BDY030001F00</i>	<i>BODY - ZP1 30 - FLUSHED</i>	1
40	P1GX030126000	STOP PIN SEAL - ZP1 & ZP2 30/34	2
42	P1GX124581	DOWEL PIN - ZP1 & ZP2 6/15/18/24	1
43	P1GX124582	DOWEL PIN - ZP1 & ZP2 45/60/64/130/134	1
44	P1GX30-211	CAPSCRW,SH,1/4-2 X2,18-8SS SCKT HD	2
45	P1RTB030010000	ROTOR TWIN BLADE - ALLOY 88 - ZP1 30/34	2
	<i>P1RTB03001000H</i>	<i>ROTOR TWIN BLADE - ALLOY 88 - ZP1 30/34 - HOT CLEARANCE</i>	2
	<i>P1RTB0300100HC</i>	<i>ROTOR TWIN BLADE - ALLOY 88 - ZP1 30/34 - HOT CHOCOLATE</i>	2
	<i>P1RTB030010200</i>	<i>ROTOR TWIN BLADE - 316L - ZP1 30/34</i>	2
46	P1SXBD0052001	ROTOR JAM NUT - ZP1 30/34	4
47	N70261	O-RING, COVER (BUNA) - ZP1 30/33/34	1
	<i>S75261</i>	<i>O-RING, COVER (SILICONE) - ZP1 30/33/34</i>	1
	<i>V70261</i>	<i>O-RING, COVER (VITON) - ZP1 30/33/34</i>	1
	<i>E70261</i>	<i>O-RING, COVER (EPDM) - ZP1 30/33/34</i>	1



Exploded View

Optional Items Shown in ITALICS

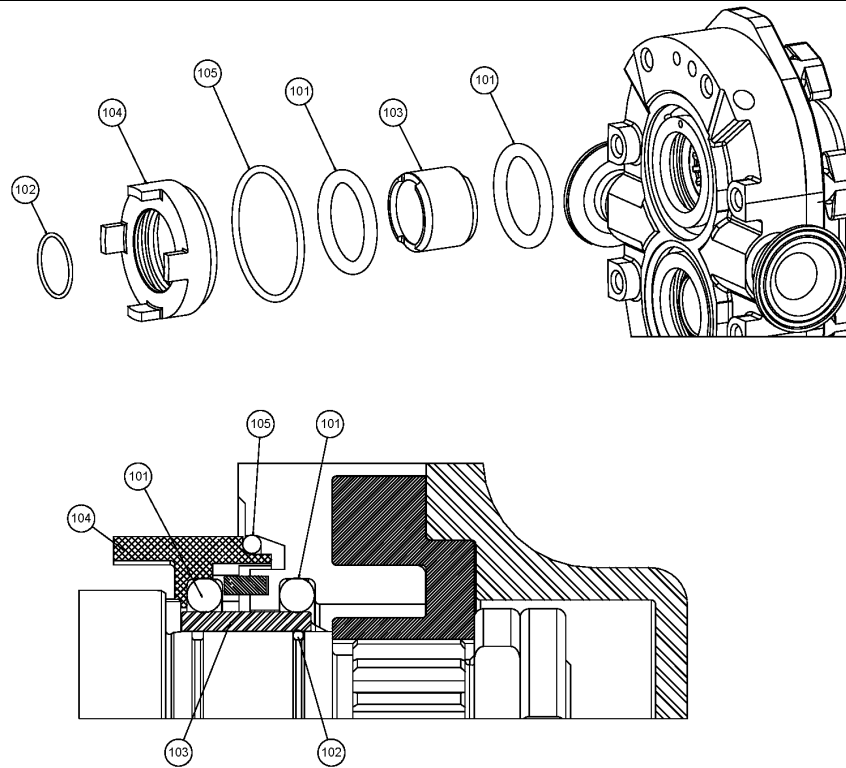
Ref #	Component Item No.	Description	Qty Per
48	P1CVRBD0002S00	COVER - ZP1 30/34	1
	<i>P1CVRBD0002J10</i>	<i>COVER, JACKETED - ZP1 30/34</i>	1
49	P1GX105851	WING NUT - ZP1 & ZP2 30/34	8
	<i>P1SX108370</i>	<i>COVER HEX NUT - ZP1 & ZP2 30/34</i>	8
62	P1SX040SPLATE	BEARING RETAINER SPLASH PLATE - ZP1 & ZP2 30/34	2
900	P1GXAD0096001	PICK,COMBO,O-RING ZP1 ZP2	1
901	P1GX000140003	OIL,460FG,MAGNAPLT,1GAL ZP	1
902	P1GX000140002	GREASE,HALO GUARD,14OZ TUBE ZP	1
903	P1GXRTVSEAL	SILICONE,DOW,732,30Z ZP1 ZP2	1
904	P1GX109896	WRENCH,30/34,RTR NUT ZP1	1



Single O-Ring Seal

Optional Items Shown in ITALICS

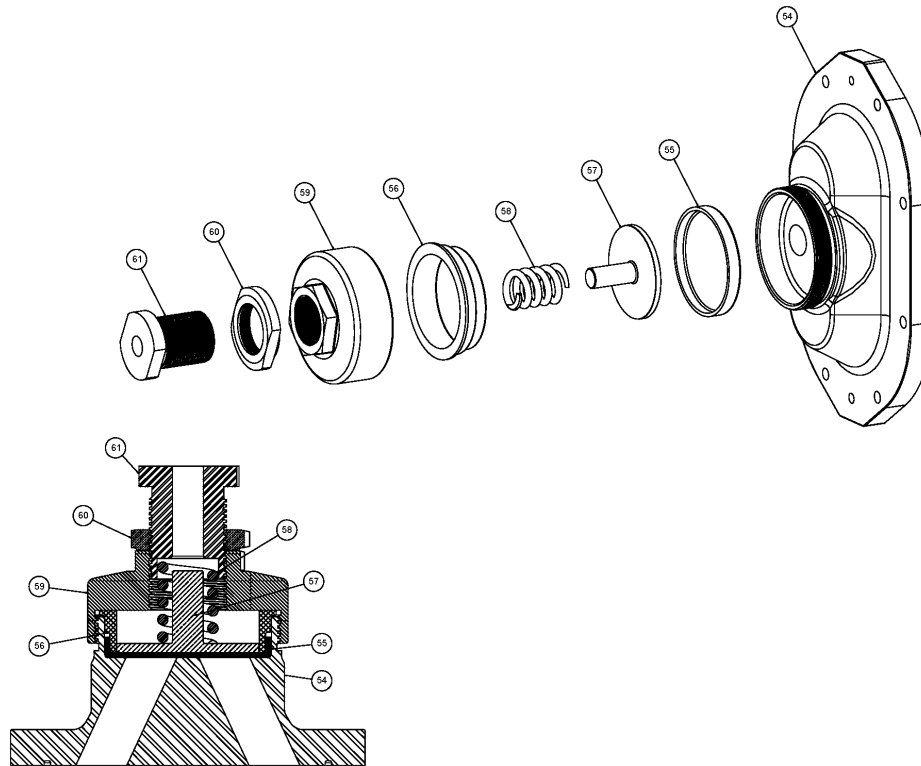
Ref #	Component Item No.	Description	Qty Per
101	N70327	O-RING, BODY (BUNA) - ZP1 30/33/34/40	2
	<i>E70327</i>	<i>O-RING, BODY (EPDM) - ZP1 30/33/34/40</i>	2
	<i>V70327</i>	<i>O-RING, BODY (VITON) - ZP1 30/33/34/40</i>	2
	<i>S75327</i>	<i>O-RING, BODY (SILICONE) - ZP1 30/33/34/40</i>	2
102	N70028	O-RING, SHAFT (BUNA) - ZP1 30/33/34/40	2
	<i>E70028</i>	<i>O-RING, SHAFT (EPDM) - ZP1 30/33/34/40</i>	2
	<i>V70028</i>	<i>O-RING, SHAFT (VITON) - ZP1 30/33/34/40</i>	2
	<i>S75028</i>	<i>O-RING, SHAFT (SILICONE) - ZP1 30/33/34/40</i>	2
103	P1SX030098001	SLEEVE (17-4PH H900) ZP1 30/34 - SLOTTED	2
	<i>P1SX030098004</i>	<i>ZIRCONIA SLEEVE - ZP1 30/34</i>	2
	<i>P1SX030098002</i>	<i>CHROME OXIDE SLEEVE (316L) - ZP1 30/34</i>	2



Double O-Ring Seal

Optional Items Shown in ITALICS

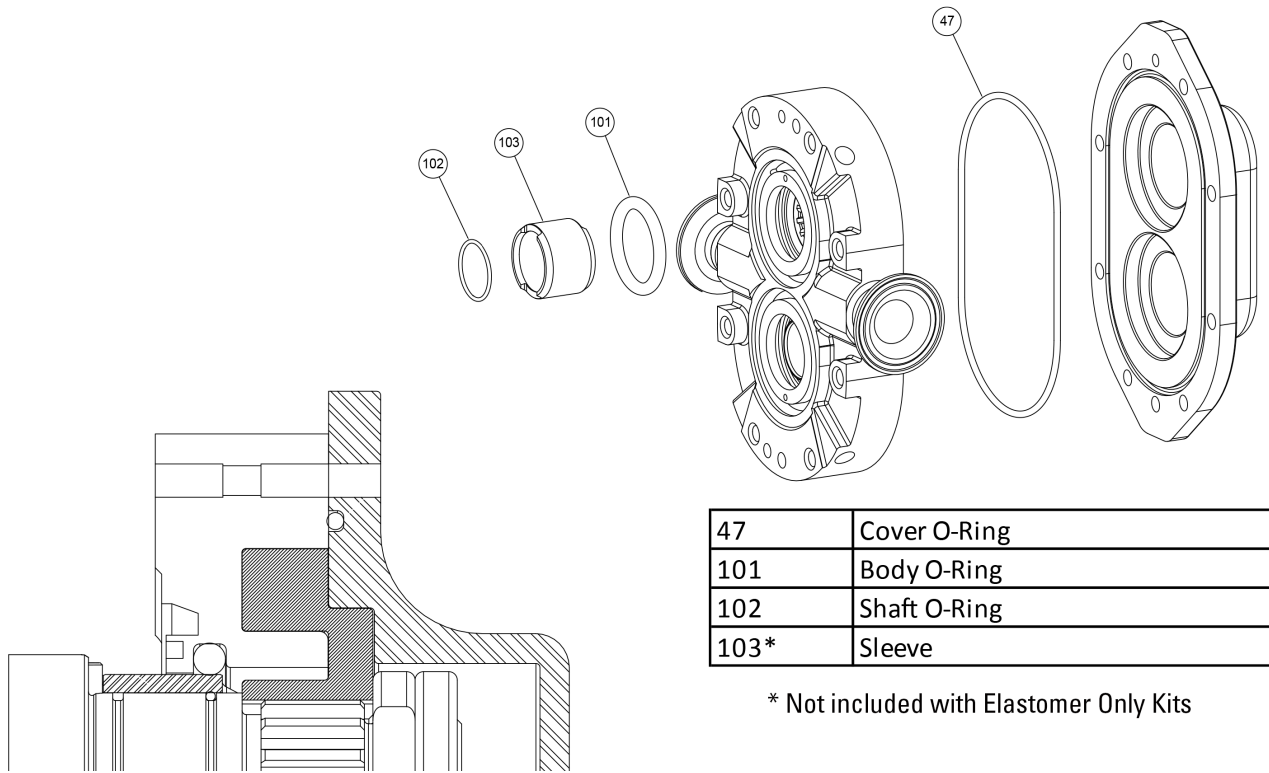
Ref #	Component Item No.	Description	Qty Per
101	N70327	O-RING, BODY (BUNA) - ZP1 30/33/34/40	4
	<i>E70327</i>	<i>O-RING, BODY (EPDM) - ZP1 30/33/34/40</i>	4
	<i>V70327</i>	<i>O-RING, BODY (VITON) - ZP1 30/33/34/40</i>	4
	<i>S75327</i>	<i>O-RING, BODY (SILICONE) - ZP1 30/33/34/40</i>	4
102	N70028	O-RING, SHAFT (BUNA) - ZP1 30/33/34/40	2
	<i>E70028</i>	<i>O-RING, SHAFT (EPDM) - ZP1 30/33/34/40</i>	2
	<i>V70028</i>	<i>O-RING, SHAFT (VITON) - ZP1 30/33/34/40</i>	2
	<i>S75028</i>	<i>O-RING, SHAFT (SILICONE) - ZP1 30/33/34/40</i>	2
103	P1SX030098001	SLEEVE (17-4PH H900) ZP1 30/34 - SLOTTED	2
	<i>P1SX030098004</i>	<i>ZIRCONIA SLEEVE - ZP1 30/34</i>	2
	<i>P1SX030098002</i>	<i>CHROME OXIDE SLEEVE (316L) - ZP1 30/34</i>	2
104	P1SX030034002	O-RING SEAL CARRIER, 3A NEW STYLE - ZP1 30/33/34/40	2
105	N50335	O-RING, OUTER SEAL (BUNA) - ZP1 30/33/34/40	2
	<i>E50335</i>	<i>O-RING, OUTER SEAL (EPDM) - ZP1 30/33/34/40</i>	2
	<i>V50335</i>	<i>O-RING, OUTER SEAL (VITON) - ZP1 30/33/34/40</i>	2



Pressure Relief Cover

Optional Items Shown in ITALICS

Ref #	Component Item No.	Description	Qty Per
54	P1CVRBD0002VS0	VENTED FRONT COVER, ZP1 - 30/34/40	1
55	P1GXAD0078000	RUBBER DIAPHRAGM, BUNA, ZP1 & ZP2 & ZP3 - 6/15/18/30/34/40	1
	<i>P1GXAD0078EP0</i>	<i>RUBBER DIAPHRAGM, EPDM, ZP1 & ZP2 & ZP3 - 6/15/18/30/34/40</i>	1
	<i>P1GXAD0078V00</i>	<i>RUBBER DIAPHRAGM, VITON, ZP1 & ZP2 & ZP3 - 6/15/18/30/34/40</i>	1
56	P1SXAD0077000	DIAPHRAGM BUSHING, ZP1 & ZP2 & ZP3 - 6/15/18/30/34/40	1
57	P1SXAD0073000	SPRING PLUNGER, ZP1 & ZP2 & ZP3 - 6/15/18/30/34/40	1
58	P1SXAD0076000	SPRING, MEDIUM, (LESS THAN 150 PSI), ZP1 & ZP2 & ZP3 - 6/15/18/30/34/40	1
	<i>P1SXABB076100</i>	<i>SPRING, HIGH, (MORE THAN 150 PSI), ZP1 & ZP2 & ZP3 - 6/15/18/30/34/40</i>	1
59	P1SXAD0075000	COVER NUT, ZP1 & ZP2 & ZP3 - 6/15/18/30/34/40	1
60	P1SXAD0074000	LOCKNUT, ZP1 & ZP2 & ZP3 - 6/15/18/30/34/40	1
61	P1SXAD0072000	ADJUSTING SCREW, ZP1 & ZP2 & ZP3 - 6/15/18/30/34/40	1



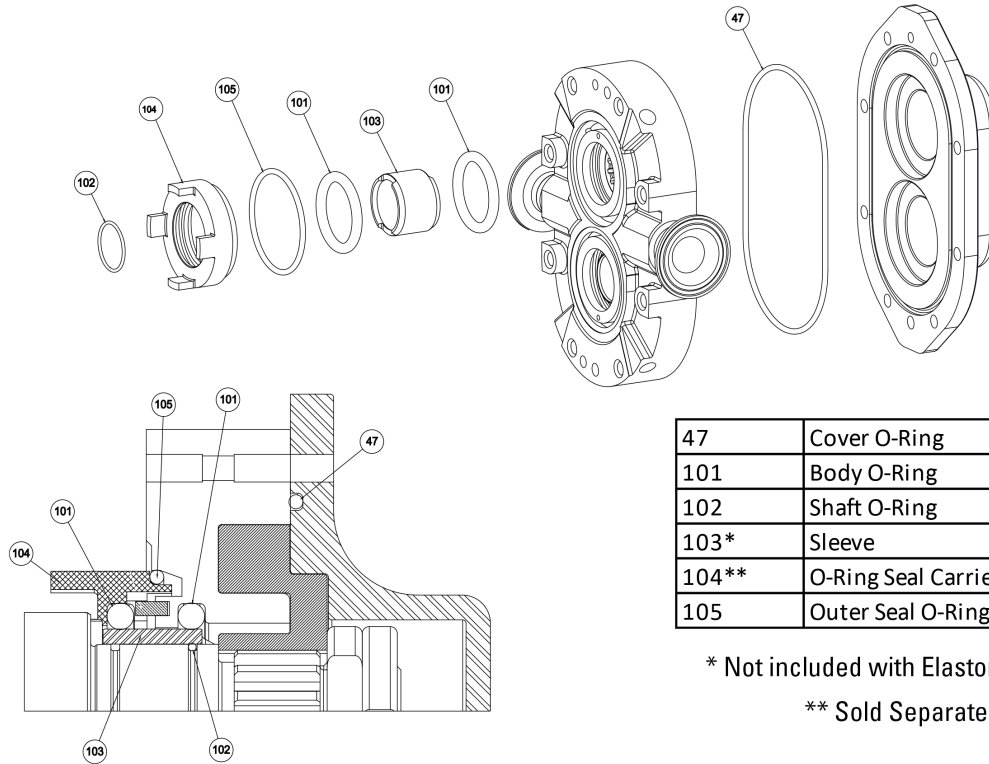
47	Cover O-Ring
101	Body O-Ring
102	Shaft O-Ring
103*	Sleeve

* Not included with Elastomer Only Kits

Single O-Ring Seal Kit

Optional Items Shown in ITALICS

Ref #	Component Item No.	Description	Qty Per
1	P1GX030000-N	SEAL KIT, SGL O-RING, ELASTOMERS ONLY, BUNA - ZP1 30/34/40	1
	<i>P1GX030000-E</i>	<i>SEAL KIT, SGL O-RING, ELASTOMERS ONLY, EPDM - ZP1 30/34/40</i>	<i>1</i>
	<i>P1GX030000-V</i>	<i>SEAL KIT, SGL O-RING, ELASTOMERS ONLY, VITON - ZP1 30/34/40</i>	<i>1</i>
2	P1GS03000S-N	SEAL KIT, SGL O-RING, 17-4 SS SLVS, BUNA - ZP1 30/34/40	1
	<i>P1GS03000S-E</i>	<i>SEAL KIT, SGL O-RING, 17-4 SS SLVS, EPDM - ZP1 30/34/40</i>	<i>1</i>
	<i>P1GS03000S-V</i>	<i>SEAL KIT, SGL O-RING, 17-4 SS SLVS, VITON - ZP1 30/34/40</i>	<i>1</i>
3	P1GS03000Z-N	SEAL KIT, SGL O-RING, ZIRCONIA SLVS, BUNA - ZP1 30/34/40	1
	<i>P1GS03000Z-E</i>	<i>SEAL KIT, SGL O-RING, ZIRCONIA SLVS, EPDM - ZP1 30/34/40</i>	<i>1</i>
	<i>P1GS03000Z-V</i>	<i>SEAL KIT, SGL O-RING, ZIRCONIA SLVS, VITON - ZP1 30/34/40</i>	<i>1</i>



47	Cover O-Ring
101	Body O-Ring
102	Shaft O-Ring
103*	Sleeve
104**	O-Ring Seal Carrier
105	Outer Seal O-Ring

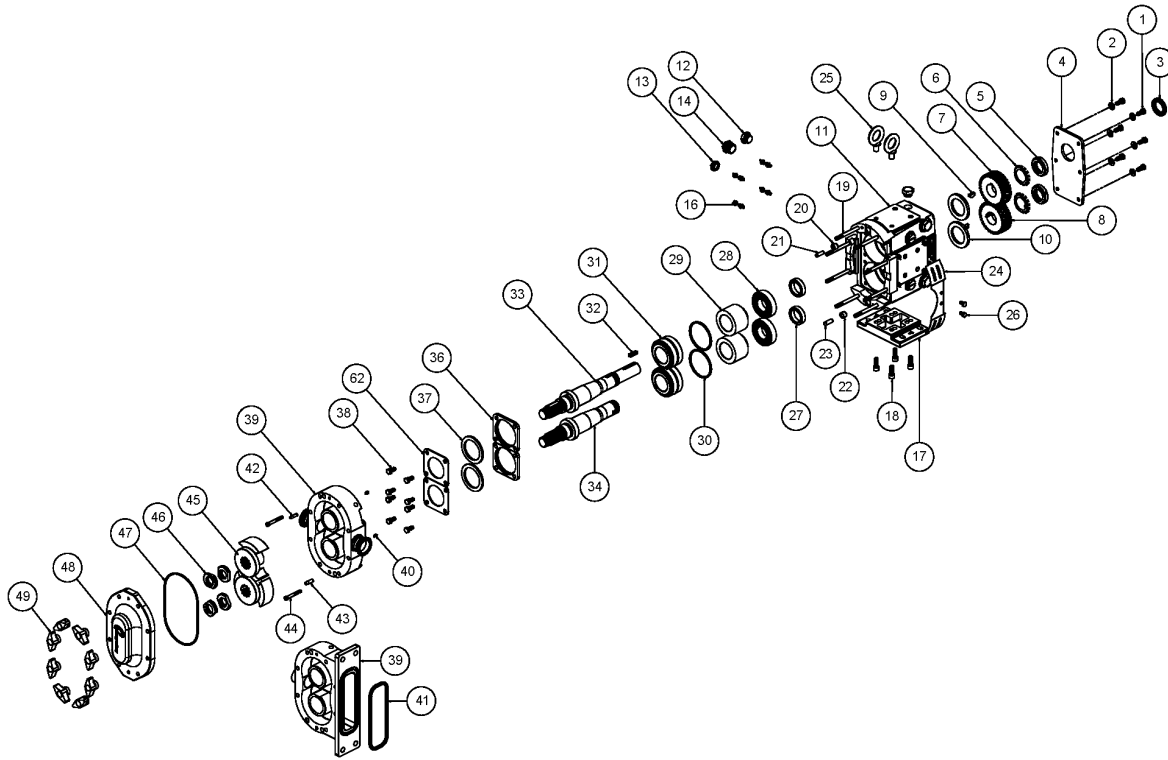
* Not included with Elastomer Only Kits

** Sold Separately

Double O-Ring Seal Kit

Optional Items Shown in ITALICS

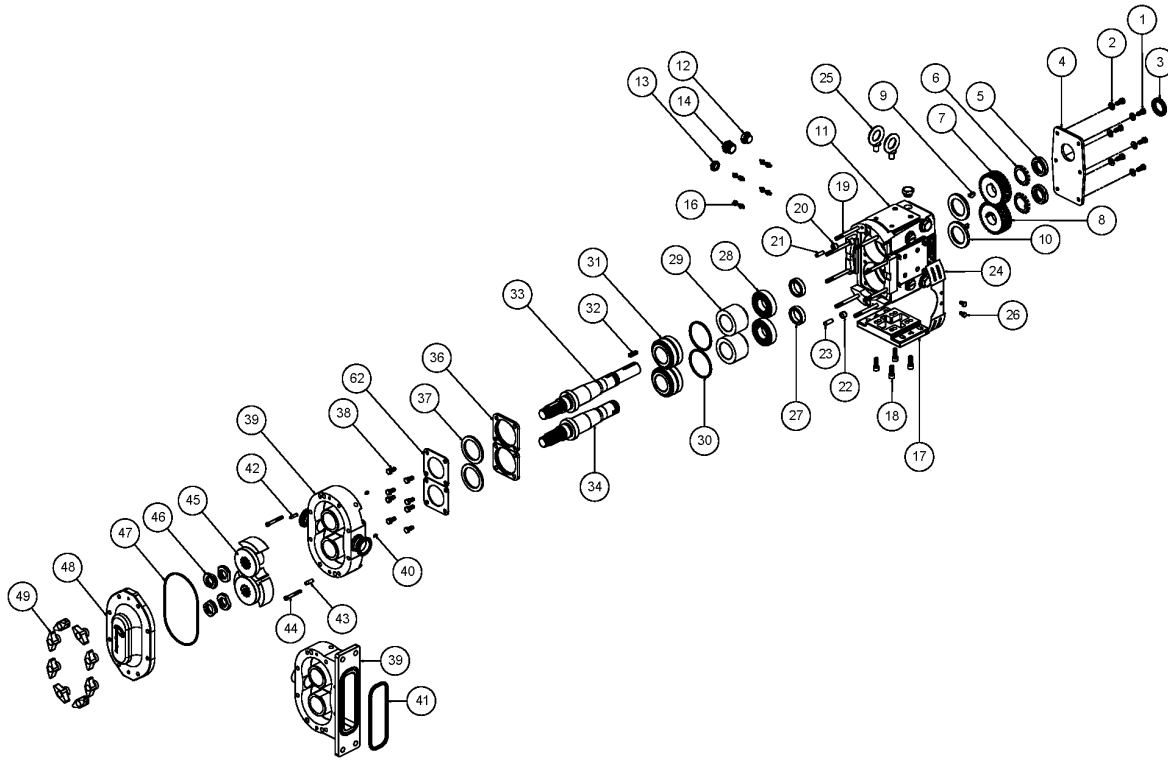
Ref #	Component Item No.	Description	Qty Per
1	P1GX030200-N	SEAL KIT, DBL O-RING, ELASTOMERS ONLY, BUNA - ZP1 30/34/40	1
	<i>P1GX030200-E</i>	<i>SEAL KIT, DBL O-RING, ELASTOMERS ONLY, EPDM - ZP1 30/34/40</i>	<i>1</i>
	<i>P1GX030200-V</i>	<i>SEAL KIT, DBL O-RING, ELASTOMERS ONLY, VITON - ZP1 30/34/40</i>	<i>1</i>
2	P1GS03020S-N	SEAL KIT, DBL O-RING, 17-4 SS SLVS, BUNA - ZP1 30/34/40	1
	<i>P1GS03020S-E</i>	<i>SEAL KIT, DBL O-RING, 17-4 SS SLVS, EPDM - ZP1 30/34/40</i>	<i>1</i>
	<i>P1GS03020S-V</i>	<i>SEAL KIT, DBL O-RING, 17-4 SS SLVS, VITON - ZP1 30/34/40</i>	<i>1</i>
3	P1GS03020Z-N	SEAL KIT, DBL O-RING, ZIRCONIA SLVS, BUNA - ZP1 30/34/40	1
	<i>P1GS03020Z-E</i>	<i>SEAL KIT, DBL O-RING, ZIRCONIA SLVS, EPDM - ZP1 30/34/40</i>	<i>1</i>
	<i>P1GS03020Z-V</i>	<i>SEAL KIT, DBL O-RING, ZIRCONIA SLVS, VITON - ZP1 30/34/40</i>	<i>1</i>



Exploded View

Optional Items Shown in ITALICS

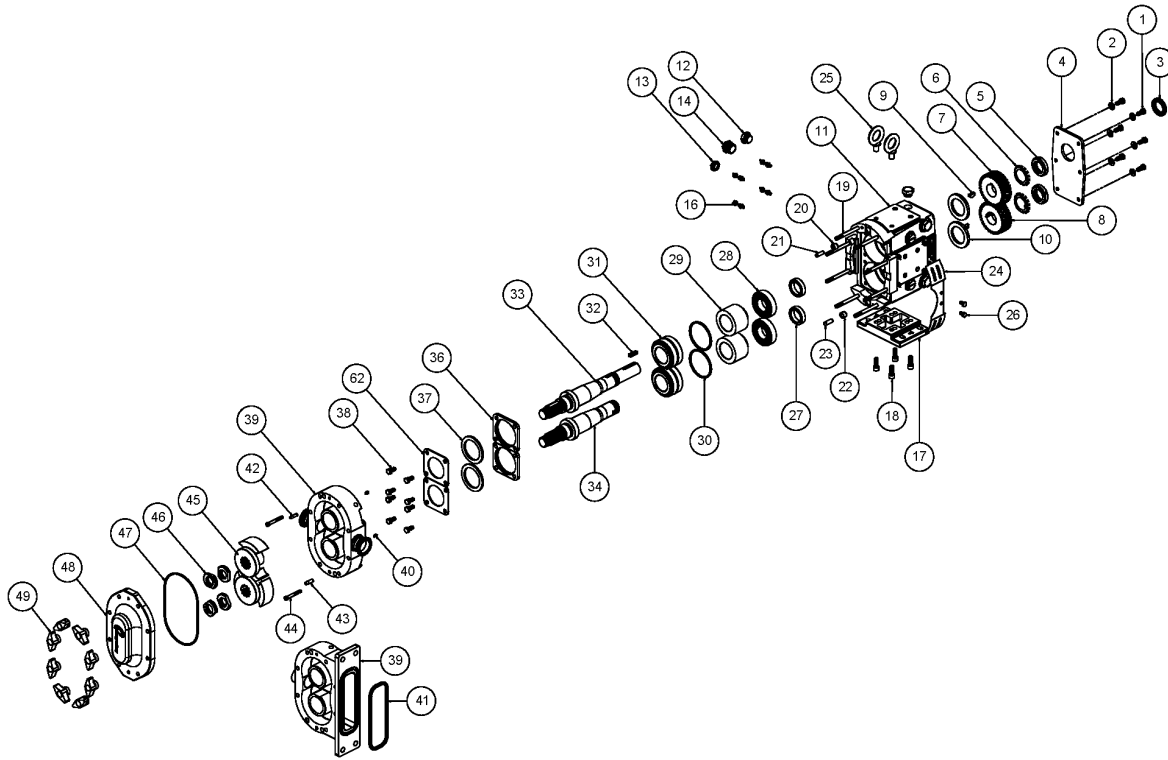
Ref #	Component Item No.	Description	Qty Per
1	P1GX030200-N	SEAL KIT, DBL MECH, ELASTOMERS ONLY, BUNA - ZP1 30/34/40	1
	P1GX30-58	HEX HEAD CAP SCREW G.CASE COVER, SS - ZP1 & ZP2 6/15/18	6
	<i>P1GX030200-E</i>	<i>SEAL KIT, DBL MECH, ELASTOMERS ONLY, EPDM - ZP1 30/34/40</i>	<i>1</i>
	<i>P1GX030200-V</i>	<i>SEAL KIT, DBL MECH, ELASTOMERS ONLY, VITON - ZP1 30/34/40</i>	<i>1</i>
2	P1GS030200-N	SEAL KIT, DBL MECH, SC/CA/CA, BUNA - ZP1 30/34/40	1
	P1GX43-108	FLAT WASHER, G CASE COVER, 1/4 X 5/8 OD, SS - ZP1 & ZP2 6/15	6
	<i>P1GS030200-E</i>	<i>SEAL KIT, DBL MECH, SC/CA/CA, EPDM - ZP1 30/34/40</i>	<i>1</i>
	<i>P1GS030200-V</i>	<i>SEAL KIT, DBL MECH, SC/CA/CA, VITON - ZP1 30/34/40</i>	<i>1</i>
3	P1GS030220-N	SEAL KIT, DBL MECH, CE/CA/CA, BUNA - ZP1 30/34/40	1
	P1GX000030013-ND	OIL SEAL, PTFE, GEAR CASE COVER - ZP1 & ZP2 30/34	1
	<i>P1GS030220-E</i>	<i>SEAL KIT, DBL MECH, CE/CA/CA, EPDM - ZP1 30/34/40</i>	<i>1</i>
	<i>P1GX000030013</i>	<i>OIL SEAL, GEAR CASE COVER - ZP1 & ZP2 30/34</i>	<i>1</i>
	<i>P1GS030220-V</i>	<i>SEAL KIT, DBL MECH, CE/CA/CA, VITON - ZP1 30/34/40</i>	<i>1</i>
4	P1SX040106000	GEAR CASE COVER, SS - ZP1 & ZP2 30/34	1
5	P1GS030210-N	SEAL KIT, DBL MECH, SC/SC/CA, BUNA - ZP1 30/34/40	1
	P1GXCD0036N00	GEAR LOCKNUT ZP1 & ZP2 30/34	2
	<i>P1GS030210-E</i>	<i>SEAL KIT, DBL MECH, SC/SC/CA, EPDM - ZP1 30/34/40</i>	<i>1</i>
	<i>P1GS030210-V</i>	<i>SEAL KIT, DBL MECH, SC/SC/CA, VITON - ZP1 30/34/40</i>	<i>1</i>
6	P1GXCD0036W00	GEAR LOCKWASHER ZP2 30/34	2
7	P1GX030007001	GEAR DRIVE SHAFT ZP1 & ZP2 30/34	1
8	P1GX030007002	GEAR SHORT SHAFT ZP1 & ZP2 30/34	1
9	P1GXBD0037000	GEAR KEY - ZP1 & ZP2 30/34	2
10	P1GX000030014	OIL SEAL, REAR - ZP1 & ZP2 30/34	2
11	P1SX040005000	GEAR CASE, SS - ZP1 & ZP2 30/34	1
12	P1GX115798	PLUG,HEX,20M X1.5,W/NBR SEAL	5
13	P1GX115799	GAUGE,OIL,LVL,INDIC,M-20X1.5	1
14	P1GX70PLUG-SS	CLEAN OUT PLUG, SS - ZP1 & ZP2 30/34	4



Exploded View

Optional Items Shown in ITALICS

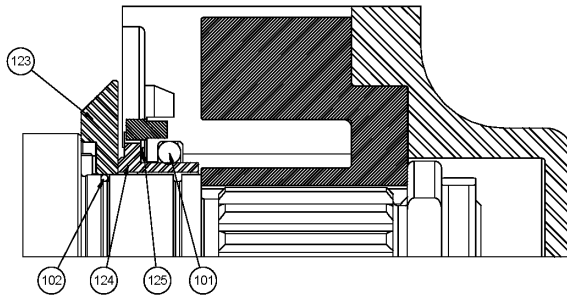
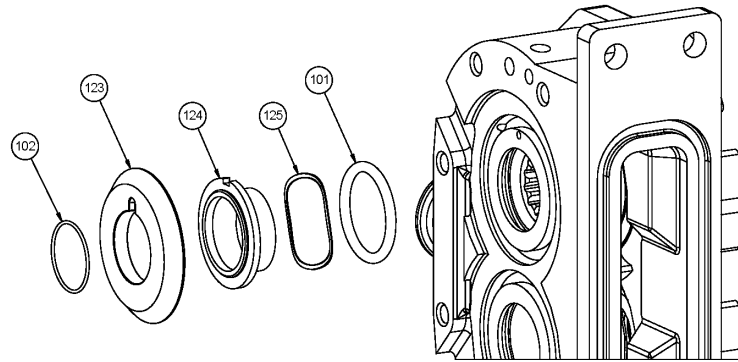
Ref #	Component Item No.	Description	Qty Per
14	P1GX70PLUG	CLEAN OUT PLUG, YELLOW - ZP1 & ZP2 30/34	4
16	P1GXBD0092001	GREASE FITTING, THREADED 1/4"-28 TAPER, SS	8
17	P1SX040110000	GEAR CASE BASE, SS - ZP1 & ZP2 30/34	1
18	P1GX30SHCSGCB	SHCS, G. CASE BASE, (18-8 SS) 3/8-16 X 1 - ZP1 & ZP2 30/34	4
19	P1GX108842	STUD, ZP1 34	6
	P1GX35555	STUD, SHORT, ZP1 34	2
	<i>P1GX108845</i>	<i>STUD, JACKETED COVER, ZP1 34</i>	6
	<i>P1GX35549</i>	<i>STUD, SHORT, JACKETED COVER, ZP1 34</i>	2
20	P1GXBD0116000	UPPER DOWEL BUSHING - ZP1 & ZP2 30/34	1
21	P1GX124582	DOWEL PIN - ZP1 & ZP2 45/60/64/130/134	1
22	P1GXBD0116100	LOWER DOWEL BUSHING - ZP1 & ZP2 30/34	1
23	P1GX124583	DOWEL PIN - ZP1 & ZP2 45/60/64/130/134	1
24	P1SX040CEGUARD	GUARD,30/34,(CE),GC,,SS	2
26	P1GX000CENAIL	DRIVENAIL,ZP,GEAR CASE GUARDS	4
27	P1GX030055000	GEAR TO REAR BEARING SPACER - ZP1 & ZP2 30/33/34	2
28	P1GX030035000	REAR BEARING - ZP1 & ZP2 30/33/34	2
29	P1GX101815	BEARING SPACER - ZP1 & ZP2 30/33/34	2
30	P1GX117890	SHIM KIT - ZP1 & ZP2 30/34	2
31	P1GX101715	FRONT BEARING - ZP1 & ZP2 30/33/34	2
32	P1GX000037002	DRIVE KEY, 1/4" SQ. X 1" - ZP1 & ZP2 30/34	1
33	P1SX114646	DRIVE SHAFT (17-4PH) - ZP1 30/34 (TAPER)	1
34	P1SX114647	SHORT SHAFT (17-4PH) - ZP1 30/34 (TAPER)	1
36	P1SX120333	BEARING RETAINER, NEW STYLE 3A - ZP1 & ZP2 30/34	2
37	P1GX121680-ND	GREASE SEAL, PTFE, FRONT BEARING RET. 3A - ZP1 & ZP2 30/34	2
	<i>P1GX121680</i>	<i>GREASE SEAL FRONT BEARING RET. 3A - ZP1 & ZP2 30/34</i>	2
38	P1GX30-283	5/16-18 X 3/4" HX HD CAP SCREW, SS -ZP1 & ZP2 30	8
39	P1BDY034001000	BODY - ZP1 34	1



Exploded View

Optional Items Shown in ITALICS

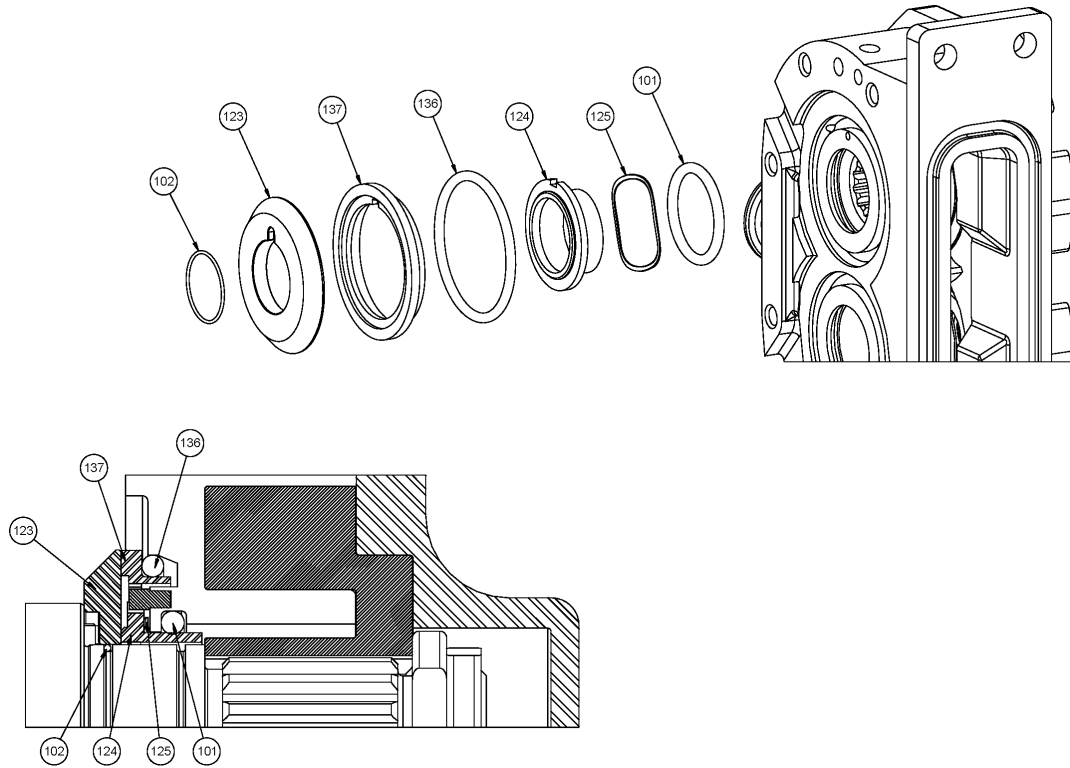
Ref #	Component Item No.	Description	Qty Per
39	<i>P1BDY034001F00</i>	<i>BODY - ZP1 34 - FLUSHED</i>	1
40	P1GX030126000	STOP PIN SEAL - ZP1 & ZP2 30/34	2
41	N70357	O-RING, RECTANGULAR FLANGE (BUNA) - ZP1 30/34	1
	<i>E70357</i>	<i>O-RING, RECTANGULAR FLANGE (EPDM) - ZP1 30/34</i>	1
	<i>V70357</i>	<i>O-RING, RECTANGULAR FLANGE (VITON) - ZP1 30/34</i>	1
42	P1GX124581	DOWEL PIN - ZP1 & ZP2 6/15/18/24	1
43	P1GX124582	DOWEL PIN - ZP1 & ZP2 45/60/64/130/134	1
44	P1GX30-211	CAPSCRW,SH,1/4-2 X2,18-8SS SCKT HD	2
45	P1RTB030010000	ROTOR TWIN BLADE - ALLOY 88 - ZP1 30/34	2
	<i>P1RTB03001000H</i>	<i>ROTOR TWIN BLADE - ALLOY 88 - ZP1 30/34 - HOT CLEARANCE</i>	2
	<i>P1RTB0300100HC</i>	<i>ROTOR TWIN BLADE - ALLOY 88 - ZP1 30/34 - HOT CHOCOLATE</i>	2
	<i>P1RTB030010200</i>	<i>ROTOR TWIN BLADE - 316L - ZP1 30/34</i>	2
46	P1SXB0052001	ROTOR JAM NUT - ZP1 30/34	4
47	N70261	O-RING, COVER (BUNA) - ZP1 30/33/34	1
	<i>S75261</i>	<i>O-RING, COVER (SILICONE) - ZP1 30/33/34</i>	1
	<i>V70261</i>	<i>O-RING, COVER (VITON) - ZP1 30/33/34</i>	1
	<i>E70261</i>	<i>O-RING, COVER (EPDM) - ZP1 30/33/34</i>	1
48	P1CVRBD0002S00	COVER - ZP1 30/34	1
	<i>P1CVRBD0002J10</i>	<i>COVER, JACKETED - ZP1 30/34</i>	1
49	P1GX105851	WING NUT - ZP1 & ZP2 30/34	8
	<i>P1SX108370</i>	<i>COVER HEX NUT - ZP1 & ZP2 30/34</i>	8
62	P1SX040SPATE	BEARING RETAINER SPLASH PLATE - ZP1 & ZP2 30/34	2
900	P1GXAD0096001	PICK,COMBO,O-RING ZP1 ZP2	1
901	P1GX000140003	OIL,460FG,MAGNAPLT,1GAL ZP	1
902	P1GX000140002	GREASE,HALO GUARD,14OZ TUBE ZP	1
903	P1GXRTVSEAL	SILICONE,DOW,732,30Z ZP1 ZP2	1
904	P1GX109896	WRENCH,30/34,RTR NUT ZP1	1



Single Mechanical Seal

Optional Items Shown in ITALICS

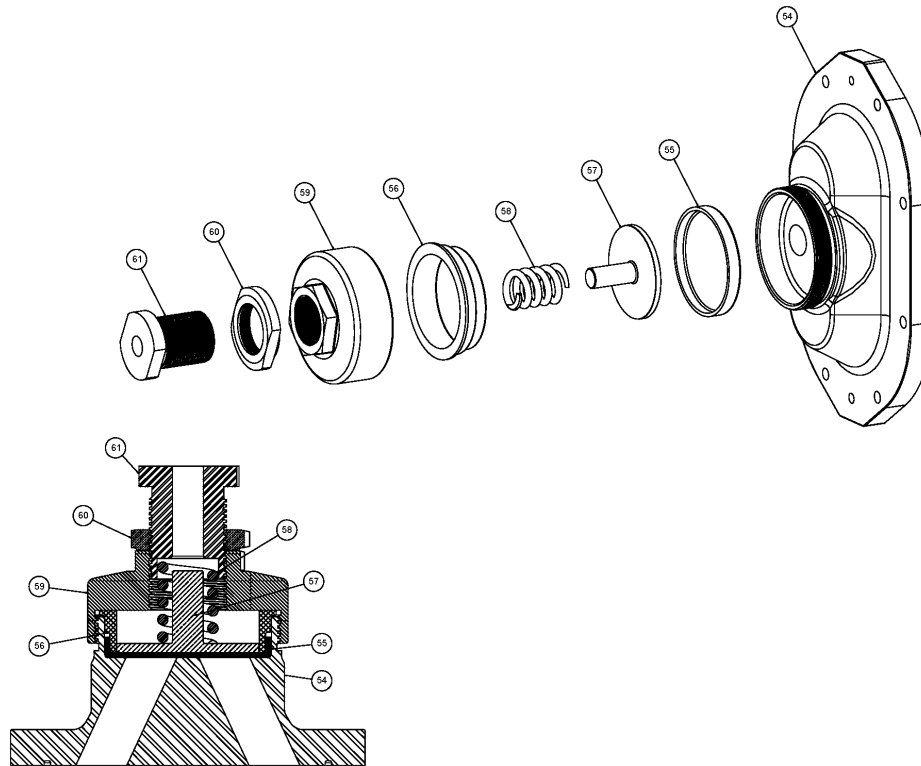
Ref #	Component Item No.	Description	Qty Per
101	N70327	O-RING, BODY (BUNA) - ZP1 30/33/34/40	2
	<i>E70327</i>	<i>O-RING, BODY (EPDM) - ZP1 30/33/34/40</i>	2
	<i>V70327</i>	<i>O-RING, BODY (VITON) - ZP1 30/33/34/40</i>	2
	<i>S75327</i>	<i>O-RING, BODY (SILICONE) - ZP1 30/33/34/40</i>	2
102	N70028	O-RING, SHAFT (BUNA) - ZP1 30/33/34/40	2
	<i>E70028</i>	<i>O-RING, SHAFT (EPDM) - ZP1 30/33/34/40</i>	2
	<i>V70028</i>	<i>O-RING, SHAFT (VITON) - ZP1 30/33/34/40</i>	2
	<i>S75028</i>	<i>O-RING, SHAFT (SILICONE) - ZP1 30/33/34/40</i>	2
123	P1GS030014009	SEAL SEAT (C) ZP1 30/34	2
	<i>P1GS030014002</i>	<i>SEAL SEAT (K) ZP1 30/34</i>	2
	<i>P1GS030014001</i>	<i>SEAL SEAT (CO) ZP1 30/34</i>	2
124	P1GS030306007	SEAL INNER (N) ZP1 30/34	2
	<i>P1GS40821</i>	<i>SEAL INNER (K) ZP1 30/34</i>	2
	<i>P1GS030306009</i>	<i>SEAL INNER (C) ZP1 30/34</i>	2
	<i>P1GS030306002</i>	<i>SEAL INNER (CO) ZP1 30/34</i>	2
125	P1GS030304000	INNER SEAL WAVE SPRING - ZP1 30/34	2



Double Mechanical Seal

Optional Items Shown in ITALICS

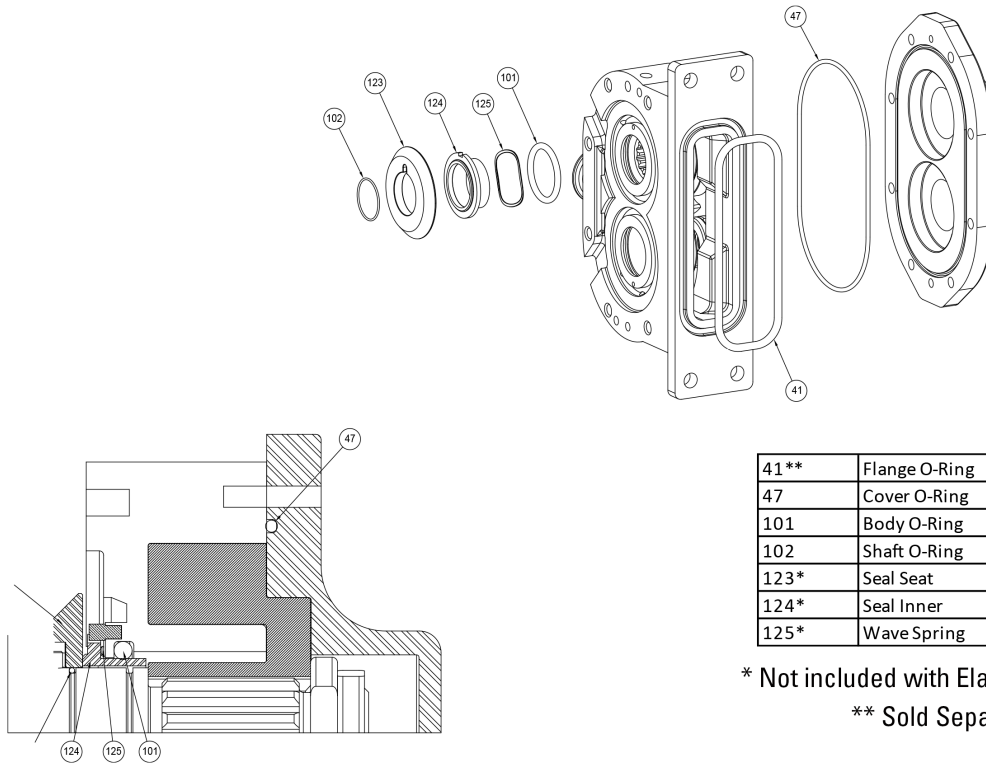
Ref #	Component Item No.	Description	Qty Per
101	N70327	O-RING, BODY (BUNA) - ZP1 30/33/34/40	2
	<i>E70327</i>	<i>O-RING, BODY (EPDM) - ZP1 30/33/34/40</i>	2
	<i>V70327</i>	<i>O-RING, BODY (VITON) - ZP1 30/33/34/40</i>	2
	<i>S75327</i>	<i>O-RING, BODY (SILICONE) - ZP1 30/33/34/40</i>	2
102	N70028	O-RING, SHAFT (BUNA) - ZP1 30/33/34/40	2
	<i>E70028</i>	<i>O-RING, SHAFT (EPDM) - ZP1 30/33/34/40</i>	2
	<i>V70028</i>	<i>O-RING, SHAFT (VITON) - ZP1 30/33/34/40</i>	2
	<i>S75028</i>	<i>O-RING, SHAFT (SILICONE) - ZP1 30/33/34/40</i>	2
123	P1GS030014009	SEAL SEAT (C) ZP1 30/34	2
	<i>P1GS030014002</i>	<i>SEAL SEAT (K) ZP1 30/34</i>	2
	<i>P1GS030014001</i>	<i>SEAL SEAT (CO) ZP1 30/34</i>	2
124	P1GS030306007	SEAL INNER (N) ZP1 30/34	2
	<i>P1GS40821</i>	<i>SEAL INNER (K) ZP1 30/34</i>	2
	<i>P1GS030306009</i>	<i>SEAL INNER (C) ZP1 30/34</i>	2
	<i>P1GS030306002</i>	<i>SEAL INNER (CO) ZP1 30/34</i>	2
125	P1GS030304000	INNER SEAL WAVE SPRING - ZP1 30/34	2
136	N50335	O-RING, OUTER SEAL (BUNA) - ZP1 30/33/34/40	2
	<i>E50335</i>	<i>O-RING, OUTER SEAL (EPDM) - ZP1 30/33/34/40</i>	2
	<i>V50335</i>	<i>O-RING, OUTER SEAL (VITON) - ZP1 30/33/34/40</i>	2
137	P1GS030206007	OUTER SEAL (N) ZP1 30/34	2
	<i>P1GS030206002</i>	<i>OUTER SEAL (CO) ZP1 30/34</i>	2



Pressure Relief Cover

Optional Items Shown in ITALICS

Ref #	Component Item No.	Description	Qty Per
54	P1CVRBD0002VS0	VENTED FRONT COVER, ZP1 - 30/34/40	1
55	P1GXAD0078000	RUBBER DIAPHRAGM, BUNA, ZP1 & ZP2 & ZP3 - 6/15/18/30/34/40	1
	<i>P1GXAD0078EP0</i>	<i>RUBBER DIAPHRAGM, EPDM, ZP1 & ZP2 & ZP3 - 6/15/18/30/34/40</i>	1
	<i>P1GXAD0078V00</i>	<i>RUBBER DIAPHRAGM, VITON, ZP1 & ZP2 & ZP3 - 6/15/18/30/34/40</i>	1
56	P1SXAD0077000	DIAPHRAGM BUSHING, ZP1 & ZP2 & ZP3 - 6/15/18/30/34/40	1
57	P1SXAD0073000	SPRING PLUNGER, ZP1 & ZP2 & ZP3 - 6/15/18/30/34/40	1
58	P1SXAD0076000	SPRING, MEDIUM, (LESS THAN 150 PSI), ZP1 & ZP2 & ZP3 - 6/15/18/30/34/40	1
	<i>P1SXABB076100</i>	<i>SPRING, HIGH, (MORE THAN 150 PSI), ZP1 & ZP2 & ZP3 - 6/15/18/30/34/40</i>	1
59	P1SXAD0075000	COVER NUT, ZP1 & ZP2 & ZP3 - 6/15/18/30/34/40	1
60	P1SXAD0074000	LOCKNUT, ZP1 & ZP2 & ZP3 - 6/15/18/30/34/40	1
61	P1SXAD0072000	ADJUSTING SCREW, ZP1 & ZP2 & ZP3 - 6/15/18/30/34/40	1



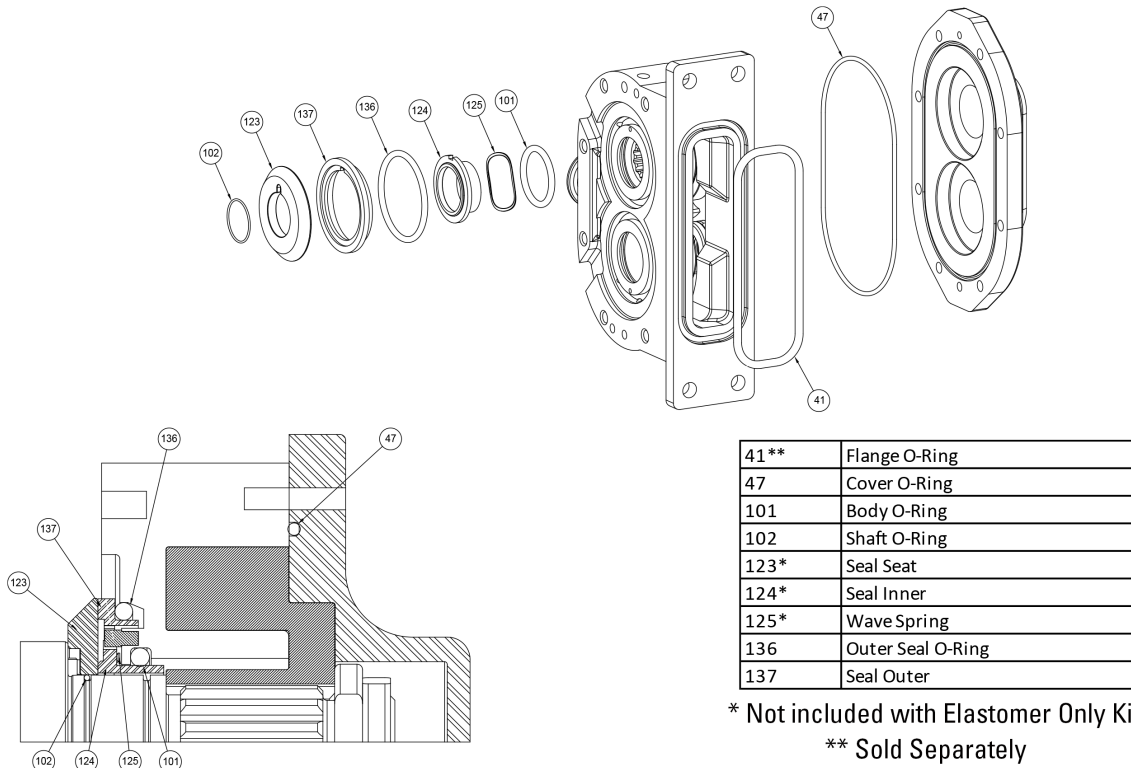
41**	Flange O-Ring
47	Cover O-Ring
101	Body O-Ring
102	Shaft O-Ring
123*	Seal Seat
124*	Seal Inner
125*	Wave Spring

* Not included with Elastomer Only Kits
** Sold Separately

Single Mechanical Seal Kit

Optional Items Shown in ITALICS

Ref #	Component Item No.	Description	Qty Per
1	P1GX030000-N	SEAL KIT, SGL MECH, ELASTOMERS ONLY, BUNA - ZP1 30/34/40	1
	<i>P1GX030000-E</i>	<i>SEAL KIT, SGL MECH, ELASTOMERS ONLY, EPDM - ZP1 30/34/40</i>	<i>1</i>
	<i>P1GX030000-V</i>	<i>SEAL KIT, SGL MECH, ELASTOMERS ONLY, VITON - ZP1 30/34/40</i>	<i>1</i>
2	P1GS030000-N	SEAL KIT, SGL MECH, SC/CA, BUNA - ZP1 30/34/40	1
	<i>P1GS030000-E</i>	<i>SEAL KIT, SGL MECH, SC/CA, EPDM - ZP1 30/34/40</i>	<i>1</i>
	<i>P1GS030000-V</i>	<i>SEAL KIT, SGL MECH, SC/CA, VITON - ZP1 30/34/40</i>	<i>1</i>
3	P1GS030020-N	SEAL KIT, SGL MECH, CE/CA, BUNA - ZP1 30/34/40	1
	<i>P1GS030020-E</i>	<i>SEAL KIT, SGL MECH, CE/CA, EPDM - ZP1 30/34/40</i>	<i>1</i>
	<i>P1GS030020-V</i>	<i>SEAL KIT, SGL MECH, CE/CA, VITON - ZP1 30/34/40</i>	<i>1</i>
4	<i>P1GS030030-V</i>	<i>SEAL KIT, SGL MECH, CE/CE, VITON - ZP1 30/34/40</i>	<i>1</i>
5	P1GS030010-N	SEAL KIT, SGL MECH, SC/SC, BUNA - ZP1 30/34/40	1
	<i>P1GS030010-E</i>	<i>SEAL KIT, SGL MECH, SC/SC, EPDM - ZP1 30/34/40</i>	<i>1</i>
	<i>P1GS030010-V</i>	<i>SEAL KIT, SGL MECH, SC/SC, VITON - ZP1 30/34/40</i>	<i>1</i>

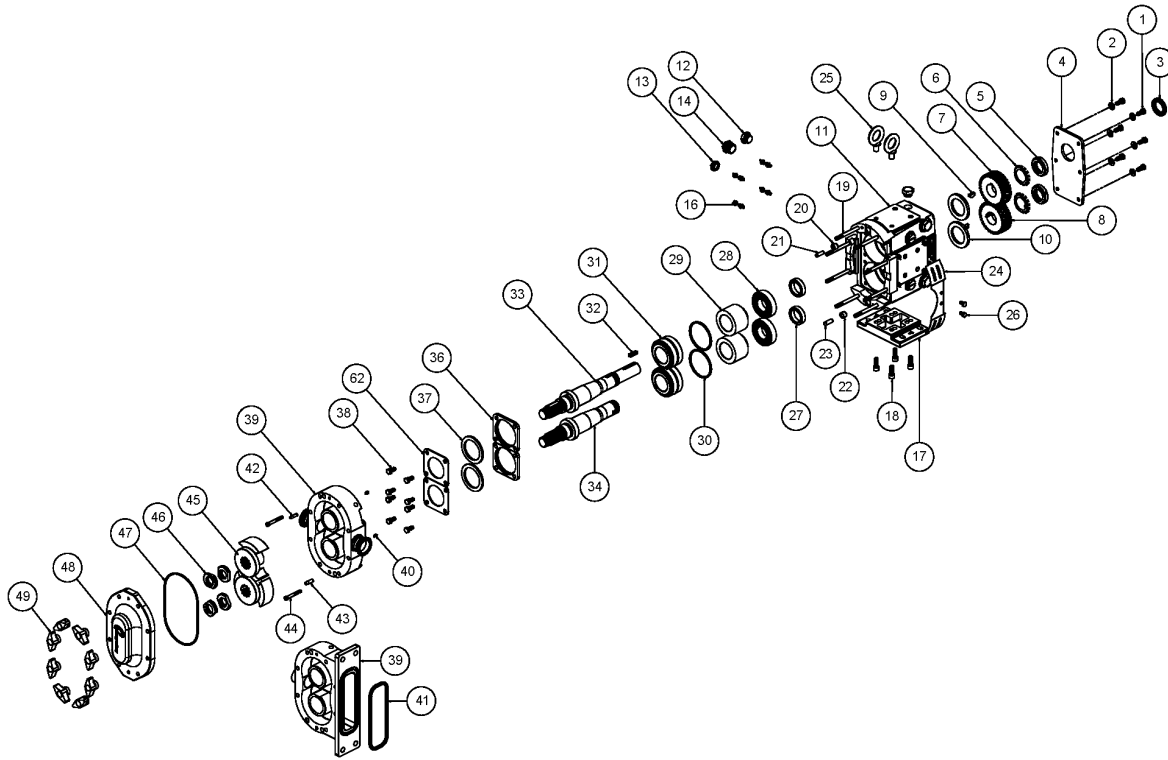


* Not included with Elastomer Only Kits
** Sold Separately

Double Mechanical Seal Kit

Optional Items Shown in ITALICS

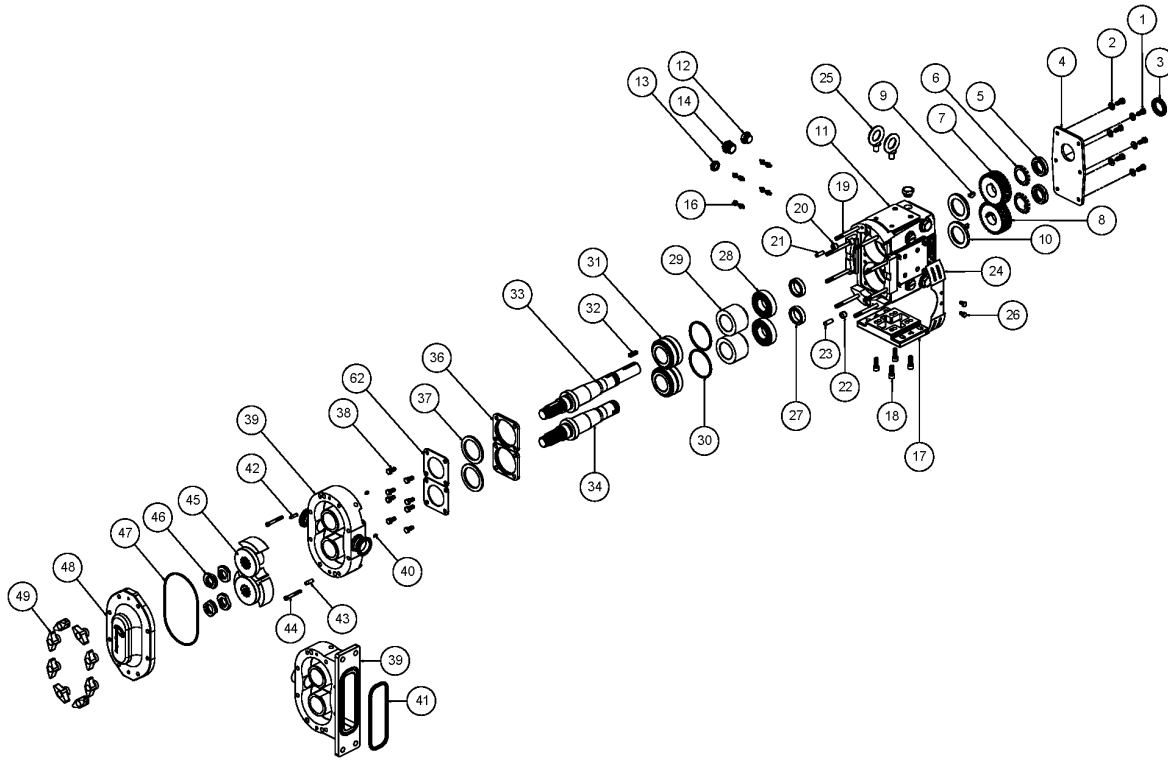
Ref #	Component Item No.	Description	Qty Per
1	P1GX030200-N	SEAL KIT, DBL MECH, ELASTOMERS ONLY, BUNA - ZP1 30/34/40	1
	<i>P1GX030200-E</i>	<i>SEAL KIT, DBL MECH, ELASTOMERS ONLY, EPDM - ZP1 30/34/40</i>	<i>1</i>
	<i>P1GX030200-V</i>	<i>SEAL KIT, DBL MECH, ELASTOMERS ONLY, VITON - ZP1 30/34/40</i>	<i>1</i>
2	P1GS030200-N	SEAL KIT, DBL MECH, SC/CA/CA, BUNA - ZP1 30/34/40	1
	<i>P1GS030200-E</i>	<i>SEAL KIT, DBL MECH, SC/CA/CA, EPDM - ZP1 30/34/40</i>	<i>1</i>
	<i>P1GS030200-V</i>	<i>SEAL KIT, DBL MECH, SC/CA/CA, VITON - ZP1 30/34/40</i>	<i>1</i>
3	P1GS030224-N	SEAL KIT, DBL MECH, CE/CA/CA, BUNA - ZP1 30/34/40	1
	<i>P1GS030224-E</i>	<i>SEAL KIT, DBL MECH, CE/CA/CA, EPDM - ZP1 30/34/40</i>	<i>1</i>
	<i>P1GS030224-V</i>	<i>SEAL KIT, DBL MECH, CE/CA/CA, VITON - ZP1 30/34/40</i>	<i>1</i>
5	P1GS030210-N	SEAL KIT, DBL MECH, SC/SC/CA, BUNA - ZP1 30/34/40	1
	<i>P1GS030210-E</i>	<i>SEAL KIT, DBL MECH, SC/SC/CA, EPDM - ZP1 30/34/40</i>	<i>1</i>
	<i>P1GS030210-V</i>	<i>SEAL KIT, DBL MECH, SC/SC/CA, VITON - ZP1 30/34/40</i>	<i>1</i>



Exploded View

Optional Items Shown in ITALICS

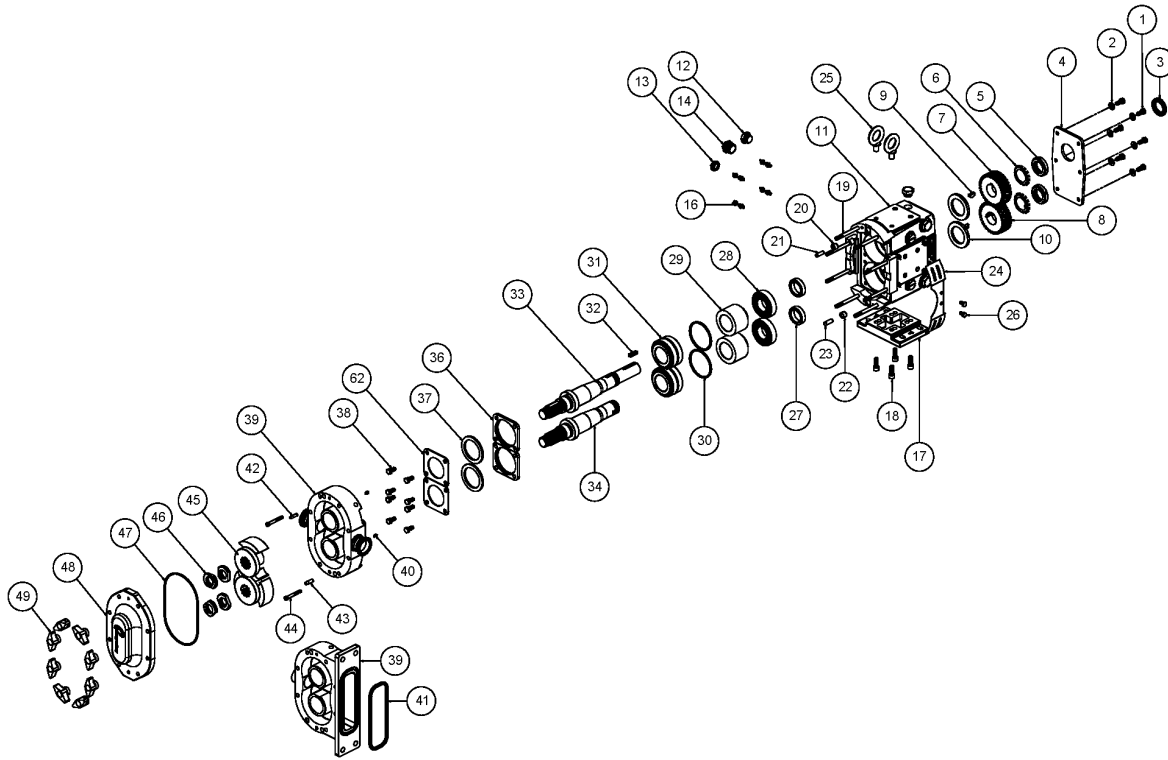
Ref #	Component Item No.	Description	Qty Per
1	P1GX30-58	HEX HEAD CAP SCREW G.CASE COVER, SS - ZP1 & ZP2 6/15/18	6
2	P1GX43-108	FLAT WASHER, G CASE COVER, 1/4 X 5/8 OD, SS - ZP1 & ZP2 6/15	6
3	P1GX000030013-ND	OIL SEAL, PTFE, GEAR CASE COVER - ZP1 & ZP2 30/34	1
	<i>P1GX000030013</i>	<i>OIL SEAL, GEAR CASE COVER - ZP1 & ZP2 30/34</i>	1
4	P1SX040106000	GEAR CASE COVER, SS - ZP1 & ZP2 30/34	1
5	P1GXCD0036N00	GEAR LOCKNUT ZP1 & ZP2 30/34	2
6	P1GXCD0036W00	GEAR LOCKWASHER ZP2 30/34	2
7	P1GX030007001	GEAR DRIVE SHAFT ZP1 & ZP2 30/34	1
8	P1GX030007002	GEAR SHORT SHAFT ZP1 & ZP2 30/34	1
9	P1GXBD0037000	GEAR KEY - ZP1 & ZP2 30/34	2
10	P1GX000030014	OIL SEAL, REAR - ZP1 & ZP2 30/34	2
11	P1SX040005000	GEAR CASE, SS - ZP1 & ZP2 30/34	1
12	P1GX115798	PLUG,HEX,20M X1.5,W/NBR SEAL	5
13	P1GX115799	GAUGE,OIL,LVL,INDIC,M-20X1.5	1
14	P1GX70PLUG-SS	CLEAN OUT PLUG, SS - ZP1 & ZP2 30/34	4
	<i>P1GX70PLUG</i>	<i>CLEAN OUT PLUG, YELLOW - ZP1 & ZP2 30/34</i>	4
16	P1GXBD0092001	GREASE FITTING, THREADED 1/4"-28 TAPER, SS	8
17	P1SX040110000	GEAR CASE BASE, SS - ZP1 & ZP2 30/34	1
18	P1GX30SHCSGCB	SHCS, G. CASE BASE, (18-8 SS) 3/8-16 X 1 - ZP1 & ZP2 30/34	4
19	P1GX108842	STUD, ZP1 34	6
	P1GX35555	STUD, SHORT, ZP1 34	2
	<i>P1GX108845</i>	<i>STUD, JACKETED COVER, ZP1 34</i>	6
	<i>P1GX35549</i>	<i>STUD, SHORT, JACKETED COVER, ZP1 34</i>	2
20	P1GXBD0116000	UPPER DOWEL BUSHING - ZP1 & ZP2 30/34	1
21	P1GX124582	DOWEL PIN - ZP1 & ZP2 45/60/64/130/134	1
22	P1GXBD0116100	LOWER DOWEL BUSHING - ZP1 & ZP2 30/34	1
23	P1GX124583	DOWEL PIN - ZP1 & ZP2 45/60/64/130/134	1



Exploded View

Optional Items Shown in ITALICS

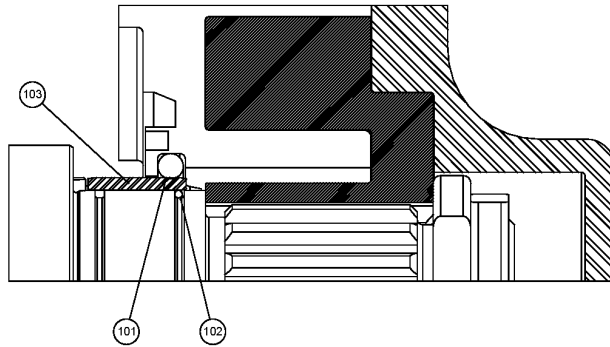
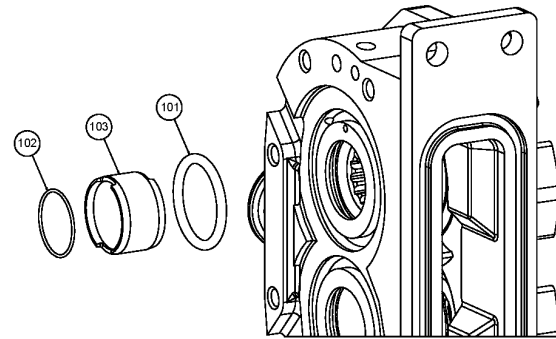
Ref #	Component Item No.	Description	Qty Per
24	P1SX040CEGUARD	GUARD,30/34,(CE),GC,,SS	2
26	P1GX000CENAIL	DRIVENAIL,ZP,GEAR CASE GUARDS	4
27	P1GX030055000	GEAR TO REAR BEARING SPACER - ZP1 & ZP2 30/33/34	2
28	P1GX030035000	REAR BEARING - ZP1 & ZP2 30/33/34	2
29	P1GX101815	BEARING SPACER - ZP1 & ZP2 30/33/34	2
30	P1GX117890	SHIM KIT - ZP1 & ZP2 30/34	2
31	P1GX101715	FRONT BEARING - ZP1 & ZP2 30/33/34	2
32	P1GX000037002	DRIVE KEY, 1/4" SQ. X 1" - ZP1 & ZP2 30/34	1
33	P1SX114646	DRIVE SHAFT (17-4PH) - ZP1 30/34 (TAPER)	1
34	P1SX114647	SHORT SHAFT (17-4PH) - ZP1 30/34 (TAPER)	1
36	P1SX120333	BEARING RETAINER, NEW STYLE 3A - ZP1 & ZP2 30/34	2
37	P1GX121680-ND	GREASE SEAL, PTFE, FRONT BEARING RET. 3A - ZP1 & ZP2 30/34	2
	<i>P1GX121680</i>	<i>GREASE SEAL FRONT BEARING RET. 3A - ZP1 & ZP2 30/34</i>	2
38	P1GX30-283	5/16-18 X 3/4" HX HD CAP SCREW, SS -ZP1 & ZP2 30	8
39	P1BDY034001000	BODY - ZP1 34	1
	<i>P1BDY034001F00</i>	<i>BODY - ZP1 34 - FLUSHED</i>	1
40	P1GX030126000	STOP PIN SEAL - ZP1 & ZP2 30/34	2
41	N70357	O-RING, RECTANGULAR FLANGE (BUNA) - ZP1 30/34	1
	<i>E70357</i>	<i>O-RING, RECTANGULAR FLANGE (EPDM) - ZP1 30/34</i>	1
	<i>V70357</i>	<i>O-RING, RECTANGULAR FLANGE (VITON) - ZP1 30/34</i>	1
42	P1GX124581	DOWEL PIN - ZP1 & ZP2 6/15/18/24	1
43	P1GX124582	DOWEL PIN - ZP1 & ZP2 45/60/64/130/134	1
44	P1GX30-211	CAPSCRW,SH,1/4-2 X2,18-8SS SCKT HD	2
45	P1RTB030010000	ROTOR TWIN BLADE - ALLOY 88 - ZP1 30/34	2
	<i>P1RTB03001000H</i>	<i>ROTOR TWIN BLADE - ALLOY 88 - ZP1 30/34 - HOT CLEARANCE</i>	2
	<i>P1RTB0300100HC</i>	<i>ROTOR TWIN BLADE - ALLOY 88 - ZP1 30/34 - HOT CHOCOLATE</i>	2
	<i>P1RTB030010200</i>	<i>ROTOR TWIN BLADE - 316L - ZP1 30/34</i>	2



Exploded View

Optional Items Shown in ITALICS

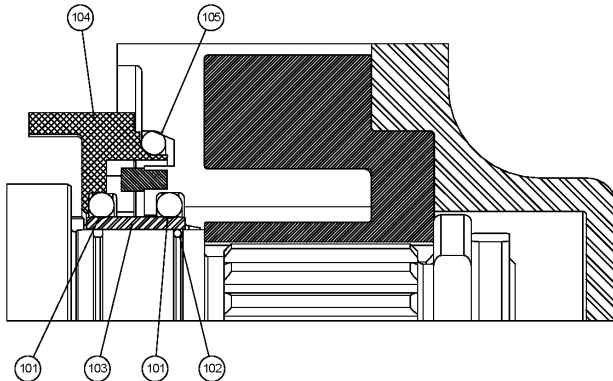
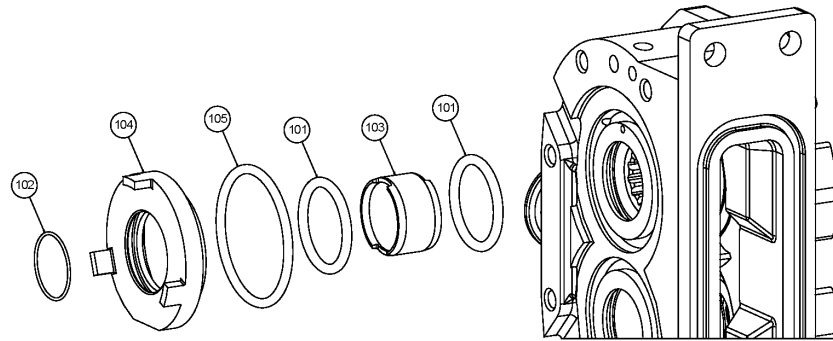
Ref #	Component Item No.	Description	Qty Per
46	P1SXBD0052001	ROTOR JAM NUT - ZP1 30/34	4
47	N70261	O-RING, COVER (BUNA) - ZP1 30/33/34	1
	<i>S75261</i>	<i>O-RING, COVER (SILICONE) - ZP1 30/33/34</i>	1
	<i>V70261</i>	<i>O-RING, COVER (VITON) - ZP1 30/33/34</i>	1
	<i>E70261</i>	<i>O-RING, COVER (EPDM) - ZP1 30/33/34</i>	1
48	P1CVRBD0002S00	COVER - ZP1 30/34	1
	<i>P1CVRBD0002J10</i>	<i>COVER, JACKETED - ZP1 30/34</i>	1
49	P1GX105851	WING NUT - ZP1 & ZP2 30/34	8
	<i>P1SX108370</i>	<i>COVER HEX NUT - ZP1 & ZP2 30/34</i>	8
62	P1SX040SPLATE	BEARING RETAINER SPLASH PLATE - ZP1 & ZP2 30/34	2
900	P1GXAD0096001	PICK,COMBO,O-RING ZP1 ZP2	1
901	P1GX000140003	OIL,460FG,MAGNAPLT,1GAL ZP	1
902	P1GX000140002	GREASE,HALO GUARD,14OZ TUBE ZP	1
903	P1GXRTVSEAL	SILICONE,DOW,732,30Z ZP1 ZP2	1
904	P1GX109896	WRENCH,30/34,RTR NUT ZP1	1



Single O-Ring Seal

Optional Items Shown in ITALICS

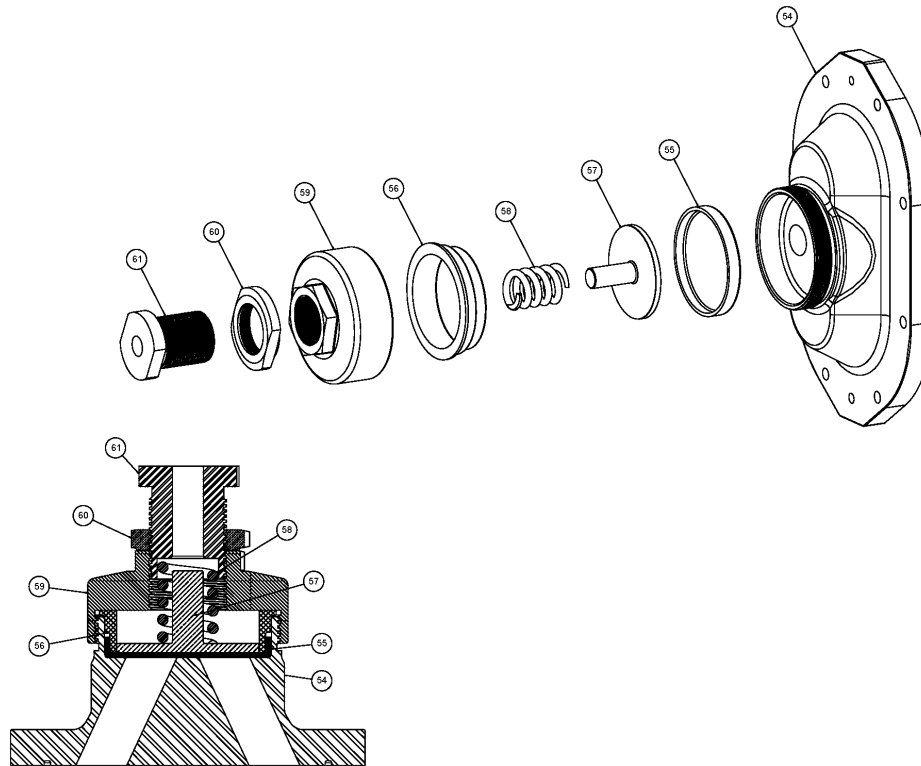
Ref #	Component Item No.	Description	Qty Per
101	N70327	O-RING, BODY (BUNA) - ZP1 30/33/34/40	2
	<i>E70327</i>	<i>O-RING, BODY (EPDM) - ZP1 30/33/34/40</i>	2
	<i>V70327</i>	<i>O-RING, BODY (VITON) - ZP1 30/33/34/40</i>	2
	<i>S75327</i>	<i>O-RING, BODY (SILICONE) - ZP1 30/33/34/40</i>	2
102	N70028	O-RING, SHAFT (BUNA) - ZP1 30/33/34/40	2
	<i>E70028</i>	<i>O-RING, SHAFT (EPDM) - ZP1 30/33/34/40</i>	2
	<i>V70028</i>	<i>O-RING, SHAFT (VITON) - ZP1 30/33/34/40</i>	2
	<i>S75028</i>	<i>O-RING, SHAFT (SILICONE) - ZP1 30/33/34/40</i>	2
103	P1SX030098001	SLEEVE (17-4PH H900) ZP1 30/34 - SLOTTED	2
	<i>P1SX030098004</i>	<i>ZIRCONIA SLEEVE - ZP1 30/34</i>	2
	<i>P1SX030098002</i>	<i>CHROME OXIDE SLEEVE (316L) - ZP1 30/34</i>	2



Double O-Ring Seal

Optional Items Shown in ITALICS

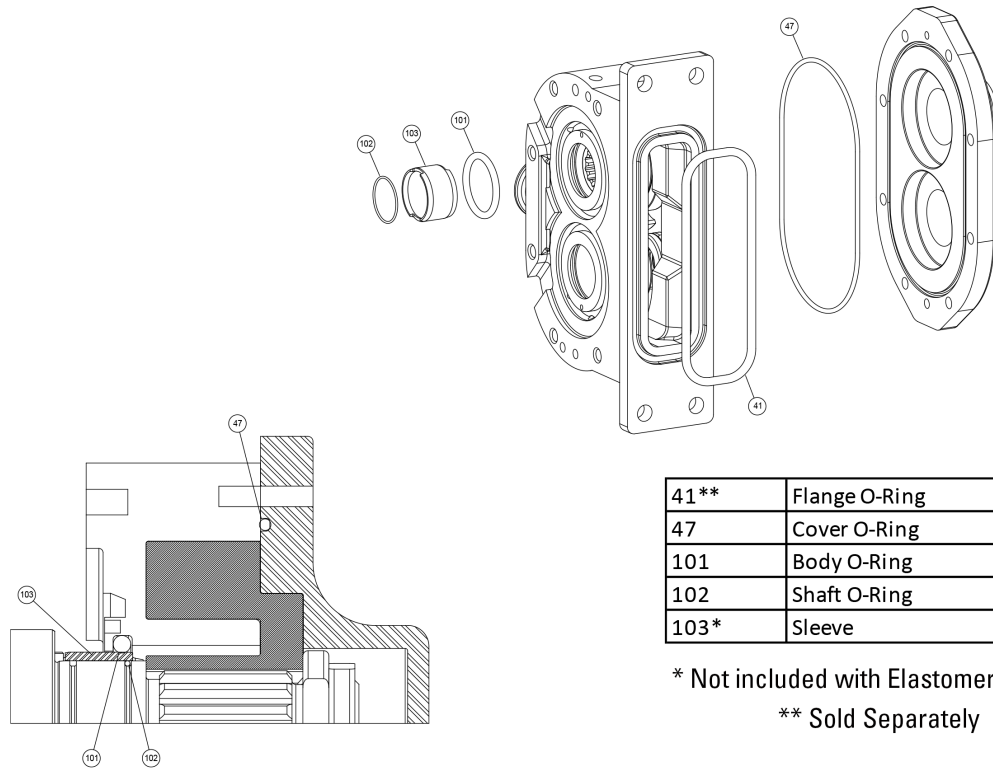
Ref #	Component Item No.	Description	Qty Per
101	N70327	O-RING, BODY (BUNA) - ZP1 30/33/34/40	4
	<i>E70327</i>	<i>O-RING, BODY (EPDM) - ZP1 30/33/34/40</i>	4
	<i>V70327</i>	<i>O-RING, BODY (VITON) - ZP1 30/33/34/40</i>	4
	<i>S75327</i>	<i>O-RING, BODY (SILICONE) - ZP1 30/33/34/40</i>	4
102	N70028	O-RING, SHAFT (BUNA) - ZP1 30/33/34/40	2
	<i>E70028</i>	<i>O-RING, SHAFT (EPDM) - ZP1 30/33/34/40</i>	2
	<i>V70028</i>	<i>O-RING, SHAFT (VITON) - ZP1 30/33/34/40</i>	2
	<i>S75028</i>	<i>O-RING, SHAFT (SILICONE) - ZP1 30/33/34/40</i>	2
103	P1SX030098001	SLEEVE (17-4PH H900) ZP1 30/34 - SLOTTED	2
	<i>P1SX030098004</i>	<i>ZIRCONIA SLEEVE - ZP1 30/34</i>	2
	<i>P1SX030098002</i>	<i>CHROME OXIDE SLEEVE (316L) - ZP1 30/34</i>	2
104	P1SX030034002	O-RING SEAL CARRIER, 3A NEW STYLE - ZP1 30/33/34/40	2
105	N50335	O-RING, OUTER SEAL (BUNA) - ZP1 30/33/34/40	2
	<i>E50335</i>	<i>O-RING, OUTER SEAL (EPDM) - ZP1 30/33/34/40</i>	2
	<i>V50335</i>	<i>O-RING, OUTER SEAL (VITON) - ZP1 30/33/34/40</i>	2



Pressure Relief Cover

Optional Items Shown in ITALICS

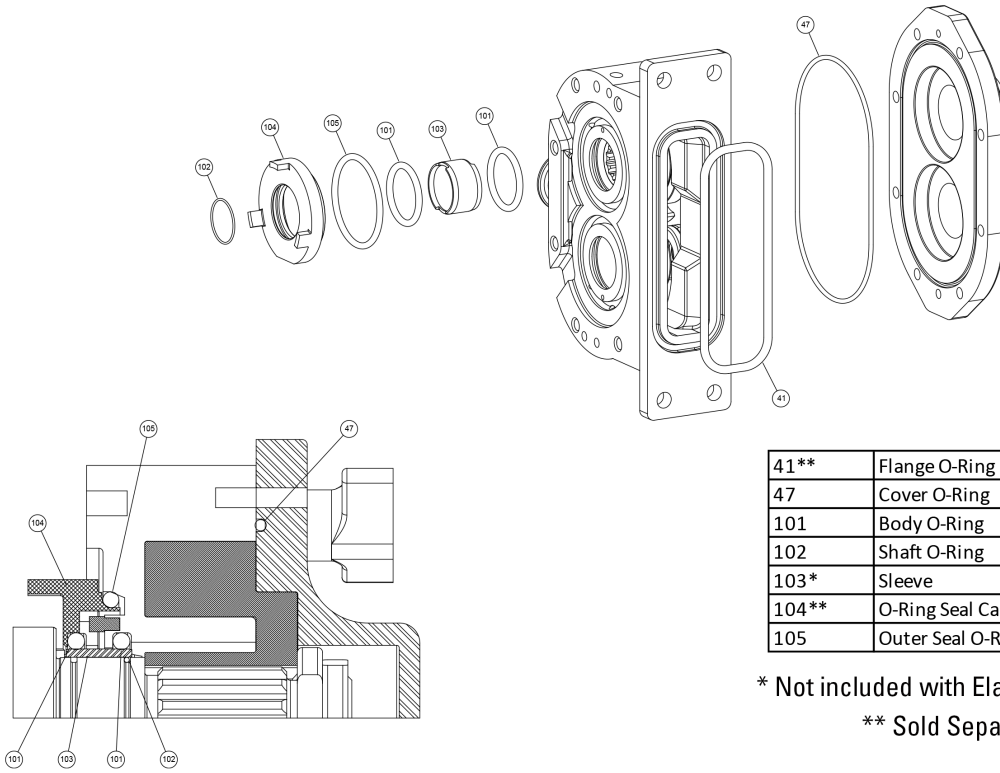
Ref #	Component Item No.	Description	Qty Per
54	P1CVRBD0002VS0	VENTED FRONT COVER, ZP1 - 30/34/40	1
55	P1GXAD0078000	RUBBER DIAPHRAGM, BUNA, ZP1 & ZP2 & ZP3 - 6/15/18/30/34/40	1
	<i>P1GXAD0078EP0</i>	<i>RUBBER DIAPHRAGM, EPDM, ZP1 & ZP2 & ZP3 - 6/15/18/30/34/40</i>	1
	<i>P1GXAD0078V00</i>	<i>RUBBER DIAPHRAGM, VITON, ZP1 & ZP2 & ZP3 - 6/15/18/30/34/40</i>	1
56	P1SXAD0077000	DIAPHRAGM BUSHING, ZP1 & ZP2 & ZP3 - 6/15/18/30/34/40	1
57	P1SXAD0073000	SPRING PLUNGER, ZP1 & ZP2 & ZP3 - 6/15/18/30/34/40	1
58	P1SXAD0076000	SPRING, MEDIUM, (LESS THAN 150 PSI), ZP1 & ZP2 & ZP3 - 6/15/18/30/34/40	1
	<i>P1SXABB076100</i>	<i>SPRING, HIGH, (MORE THAN 150 PSI), ZP1 & ZP2 & ZP3 - 6/15/18/30/34/40</i>	1
59	P1SXAD0075000	COVER NUT, ZP1 & ZP2 & ZP3 - 6/15/18/30/34/40	1
60	P1SXAD0074000	LOCKNUT, ZP1 & ZP2 & ZP3 - 6/15/18/30/34/40	1
61	P1SXAD0072000	ADJUSTING SCREW, ZP1 & ZP2 & ZP3 - 6/15/18/30/34/40	1



Single O-Ring Seal Kit

Optional Items Shown in ITALICS

Ref #	Component Item No.	Description	Qty Per
1	P1GX030000-N	SEAL KIT, SGL O-RING, ELASTOMERS ONLY, BUNA - ZP1 30/34/40	1
	<i>P1GX030000-E</i>	<i>SEAL KIT, SGL O-RING, ELASTOMERS ONLY, EPDM - ZP1 30/34/40</i>	<i>1</i>
	<i>P1GX030000-V</i>	<i>SEAL KIT, SGL O-RING, ELASTOMERS ONLY, VITON - ZP1 30/34/40</i>	<i>1</i>
2	P1GS03000S-N	SEAL KIT, SGL O-RING, 17-4 SS SLVS, BUNA - ZP1 30/34/40	1
	<i>P1GS03000S-E</i>	<i>SEAL KIT, SGL O-RING, 17-4 SS SLVS, EPDM - ZP1 30/34/40</i>	<i>1</i>
	<i>P1GS03000S-V</i>	<i>SEAL KIT, SGL O-RING, 17-4 SS SLVS, VITON - ZP1 30/34/40</i>	<i>1</i>
3	P1GS03000Z-N	SEAL KIT, SGL O-RING, ZIRCONIA SLVS, BUNA - ZP1 30/34/40	1
	<i>P1GS03000Z-E</i>	<i>SEAL KIT, SGL O-RING, ZIRCONIA SLVS, EPDM - ZP1 30/34/40</i>	<i>1</i>
	<i>P1GS03000Z-V</i>	<i>SEAL KIT, SGL O-RING, ZIRCONIA SLVS, VITON - ZP1 30/34/40</i>	<i>1</i>



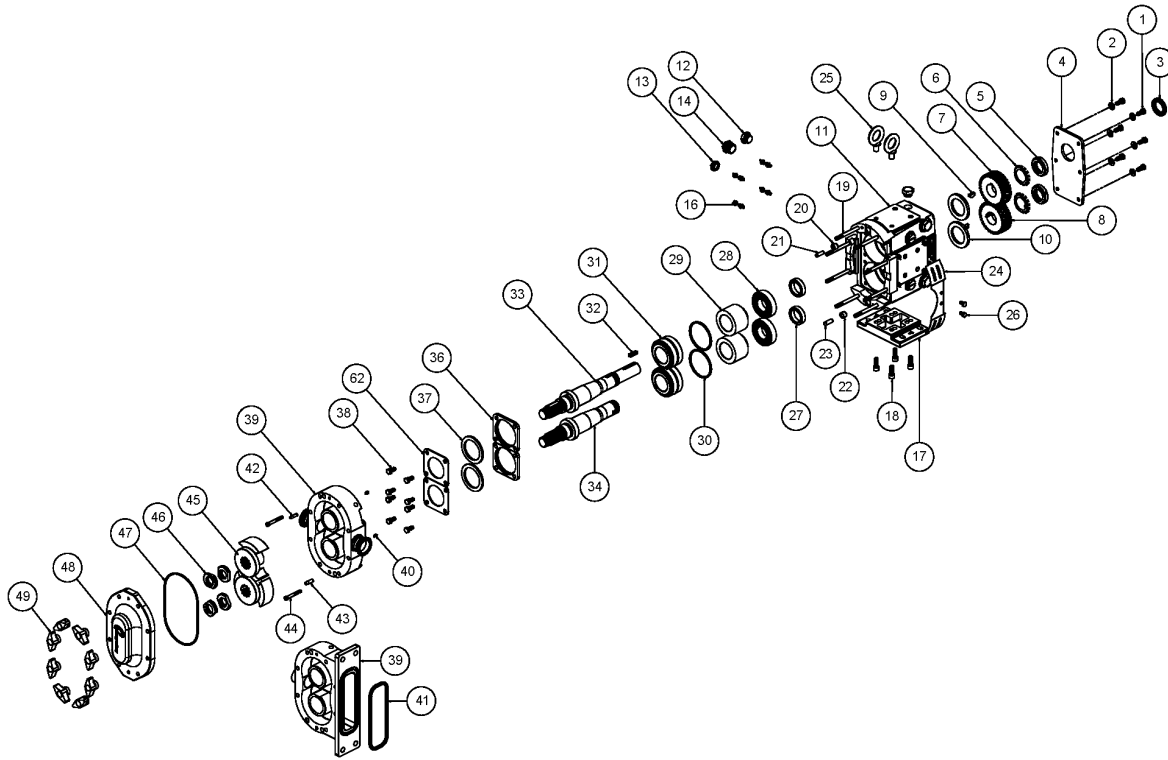
41**	Flange O-Ring
47	Cover O-Ring
101	Body O-Ring
102	Shaft O-Ring
103*	Sleeve
104**	O-Ring Seal Carrier
105	Outer Seal O-Ring

* Not included with Elastomer Only Kits
** Sold Separately

Double O-Ring Seal Kit

Optional Items Shown in ITALICS

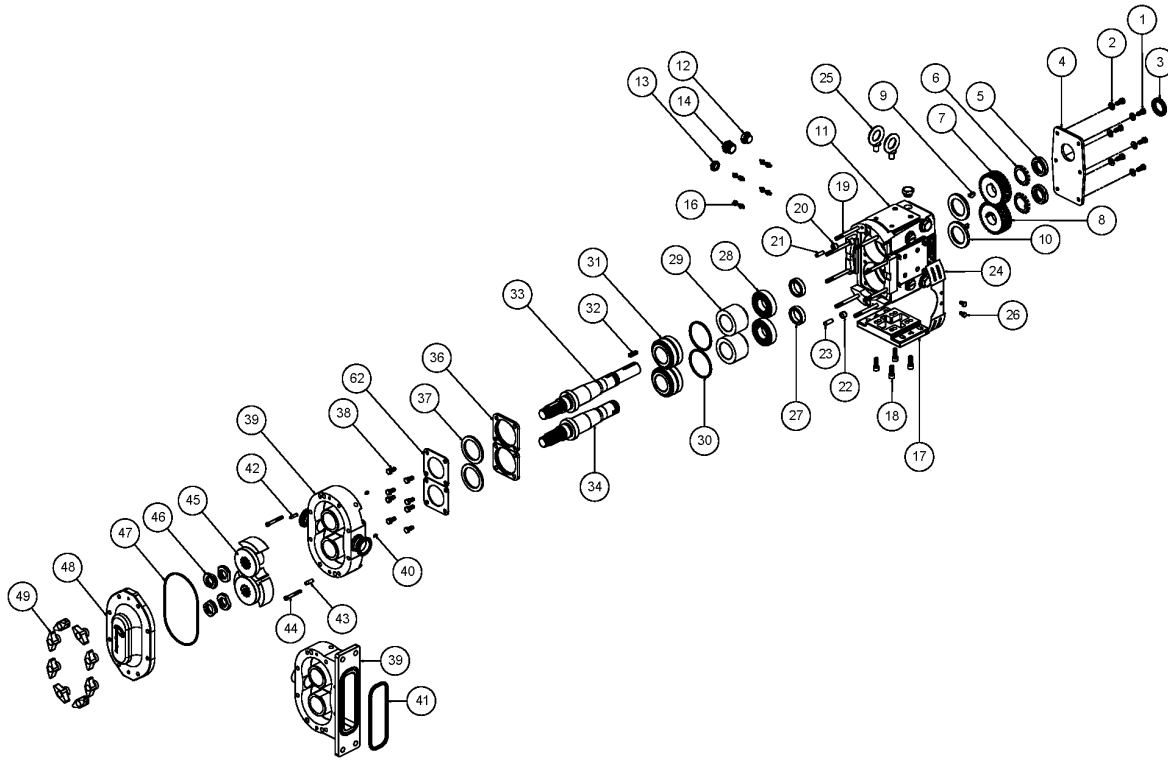
Ref #	Component Item No.	Description	Qty Per
1	P1GX030200-N	SEAL KIT, DBL O-RING, ELASTOMERS ONLY, BUNA - ZP1 30/34/40	1
	<i>P1GX030200-E</i>	<i>SEAL KIT, DBL O-RING, ELASTOMERS ONLY, EPDM - ZP1 30/34/40</i>	<i>1</i>
	<i>P1GX030200-V</i>	<i>SEAL KIT, DBL O-RING, ELASTOMERS ONLY, VITON - ZP1 30/34/40</i>	<i>1</i>
2	P1GS03020S-N	SEAL KIT, DBL O-RING, 17-4 SS SLVS, BUNA - ZP1 30/34/40	1
	<i>P1GS03020S-E</i>	<i>SEAL KIT, DBL O-RING, 17-4 SS SLVS, EPDM - ZP1 30/34/40</i>	<i>1</i>
	<i>P1GS03020S-V</i>	<i>SEAL KIT, DBL O-RING, 17-4 SS SLVS, VITON - ZP1 30/34/40</i>	<i>1</i>
3	P1GS03020Z-N	SEAL KIT, DBL O-RING, ZIRCONIA SLVS, BUNA - ZP1 30/34/40	1
	<i>P1GS03020Z-E</i>	<i>SEAL KIT, DBL O-RING, ZIRCONIA SLVS, EPDM - ZP1 30/34/40</i>	<i>1</i>
	<i>P1GS03020Z-V</i>	<i>SEAL KIT, DBL O-RING, ZIRCONIA SLVS, VITON - ZP1 30/34/40</i>	<i>1</i>



Exploded View

Optional Items Shown in ITALICS

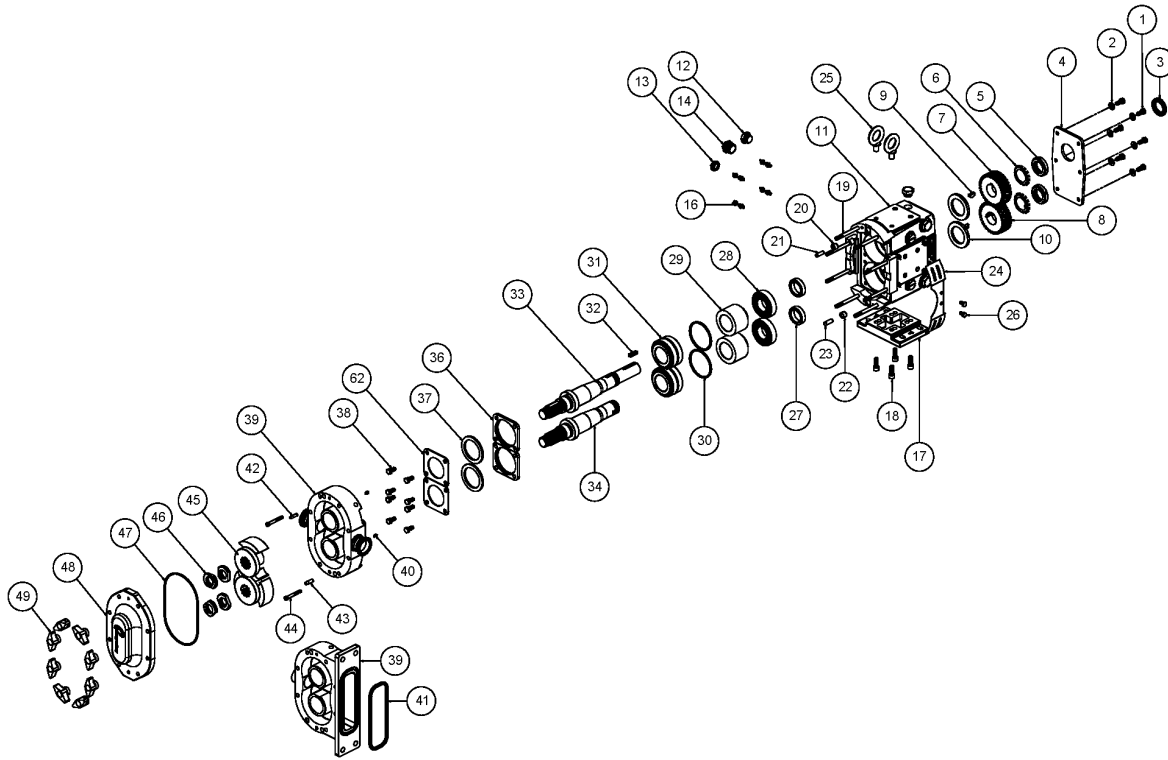
Ref #	Component Item No.	Description	Qty Per
1	P1GX30-58	HEX HEAD CAP SCREW G.CASE COVER, SS - ZP1 & ZP2 6/15/18	6
2	P1GX43-108	FLAT WASHER, G CASE COVER, 1/4 X 5/8 OD, SS - ZP1 & ZP2 6/15	6
3	P1GX000030013-ND	OIL SEAL, PTFE, GEAR CASE COVER - ZP1 & ZP2 30/34	1
	<i>P1GX000030013</i>	<i>OIL SEAL, GEAR CASE COVER - ZP1 & ZP2 30/34</i>	1
4	P1SX040106000	GEAR CASE COVER, SS - ZP1 & ZP2 30/34	1
5	P1GXCD0036N00	GEAR LOCKNUT ZP1 & ZP2 30/34	2
6	P1GXCD0036W00	GEAR LOCKWASHER ZP2 30/34	2
7	P1GX030007001	GEAR DRIVE SHAFT ZP1 & ZP2 30/34	1
8	P1GX030007002	GEAR SHORT SHAFT ZP1 & ZP2 30/34	1
9	P1GXBD0037000	GEAR KEY - ZP1 & ZP2 30/34	2
10	P1GX000030014	OIL SEAL, REAR - ZP1 & ZP2 30/34	2
11	P1SX040005000	GEAR CASE, SS - ZP1 & ZP2 30/34	1
12	P1GX115798	PLUG,HEX,20M X1.5,W/NBR SEAL	5
13	P1GX115799	GAUGE,OIL,LVL,INDIC,M-20X1.5	1
14	P1GX70PLUG-SS	CLEAN OUT PLUG, SS - ZP1 & ZP2 30/34	4
	<i>P1GX70PLUG</i>	<i>CLEAN OUT PLUG, YELLOW - ZP1 & ZP2 30/34</i>	4
16	P1GXBD0092001	GREASE FITTING, THREADED 1/4"-28 TAPER, SS	8
17	P1SX040110000	GEAR CASE BASE, SS - ZP1 & ZP2 30/34	1
18	P1GX30SHCSGCB	SHCS, G. CASE BASE, (18-8 SS) 3/8-16 X 1 - ZP1 & ZP2 30/34	4
19	P1GX118897	STUD, ZP1 40	8
	<i>P1GX118898</i>	<i>STUD, JACKETED COVER, ZP1 40</i>	8
20	P1GXBD0116000	UPPER DOWEL BUSHING - ZP1 & ZP2 30/34	1
21	P1GX124582	DOWEL PIN - ZP1 & ZP2 45/60/64/130/134	1
22	P1GXBD0116100	LOWER DOWEL BUSHING - ZP1 & ZP2 30/34	1
23	P1GX124583	DOWEL PIN - ZP1 & ZP2 45/60/64/130/134	1
24	P1SX040CEGUARD	GUARD,30/34,(CE),GC,,SS	2
26	P1GX000CENAIL	DRIVENAIL,ZP,GEAR CASE GUARDS	4



Exploded View

Optional Items Shown in ITALICS

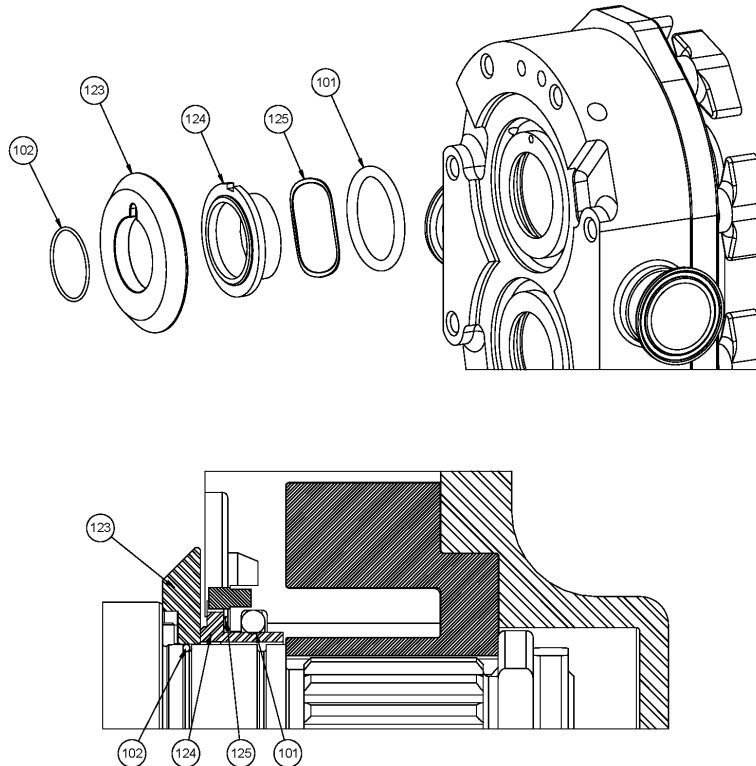
Ref #	Component Item No.	Description	Qty Per
27	P1GX030055000	GEAR TO REAR BEARING SPACER - ZP1 & ZP2 30/33/34	2
28	P1GX030035000	REAR BEARING - ZP1 & ZP2 30/33/34	2
29	P1GX101815	BEARING SPACER - ZP1 & ZP2 30/33/34	2
30	P1GX117890	SHIM KIT - ZP1 & ZP2 30/34	2
31	P1GX101715	FRONT BEARING - ZP1 & ZP2 30/33/34	2
32	P1GX000037002	DRIVE KEY, 1/4" SQ. X 1" - ZP1 & ZP2 30/34	1
33	P1SX118718	DRIVE SHAFT (17-4PH) - ZP1 40 (TAPER)	1
34	P1SX118719	SHORT SHAFT (17-4PH) - ZP1 40 (TAPER)	1
36	P1SX120333	BEARING RETAINER, NEW STYLE 3A - ZP1 & ZP2 30/34	2
37	P1GX121680-ND	GREASE SEAL, PTFE, FRONT BEARING RET. 3A - ZP1 & ZP2 30/34	2
	<i>P1GX121680</i>	<i>GREASE SEAL FRONT BEARING RET. 3A - ZP1 & ZP2 30/34</i>	2
38	P1GX30-283	5/16-18 X 3/4" HX HD CAP SCREW, SS -ZP1 & ZP2 30	8
39	P1BDY040001000	BODY - ZP1 40	1
	<i>P1BDY040001F00</i>	<i>BODY - ZP1 40 - FLUSHED</i>	1
40	P1GX030126000	STOP PIN SEAL - ZP1 & ZP2 30/34	2
42	P1GX124581	DOWEL PIN - ZP1 & ZP2 6/15/18/24	1
43	P1GX124582	DOWEL PIN - ZP1 & ZP2 45/60/64/130/134	1
44	P1GX40RETSCREW	SCREW,40,BDY RET,1/4-20X2.5,SS ZP1 ZP2	2
45	P1RTB040010000	ROTOR TWIN BLADE - ALLOY 88 - ZP1 40	2
	<i>P1RTB04001000H</i>	<i>ROTOR TWIN BLADE - ALLOY 88 - ZP1 40 - HOT CLEARANCE</i>	2
	<i>P1RTB0400100HC</i>	<i>ROTOR TWIN BLADE - ALLOY 88 - ZP1 40 - HOT CHOCOLATE</i>	2
	<i>P1RTB040010200</i>	<i>ROTOR TWIN BLADE - 316L - ZP1 40</i>	2
	<i>P1RSW040010010</i>	<i>ROTOR SINGLE WING - ALLOY 88 - ZP1 40 - STRAIGHT</i>	1
	<i>P1RSW040010090</i>	<i>ROTOR SINGLE WING - ALLOY 88 - ZP1 40 - 90°</i>	1
46	P1SXBD0052001	ROTOR JAM NUT - ZP1 30/34	4
47	N70261	O-RING, COVER (BUNA) - ZP1 30/33/34	1
	<i>S75261</i>	<i>O-RING, COVER (SILICONE) - ZP1 30/33/34</i>	1



Exploded View

Optional Items Shown in ITALICS

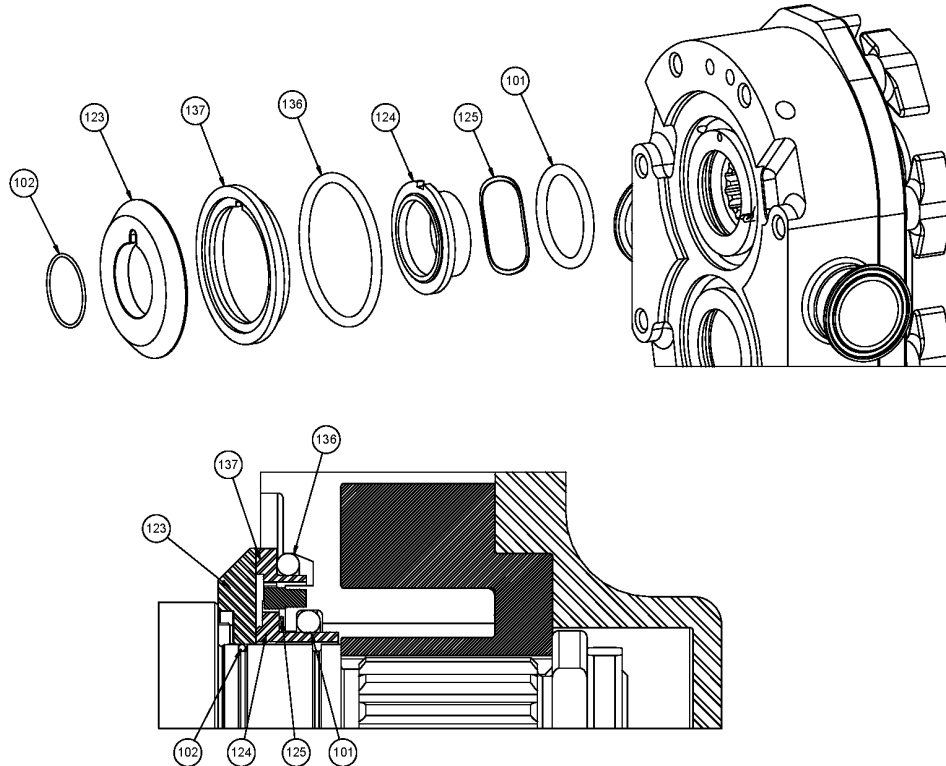
Ref #	Component Item No.	Description	Qty Per
47	V70261	O-RING, COVER (VITON) - ZP1 30/33/34	1
	E70261	O-RING, COVER (EPDM) - ZP1 30/33/34	1
48	P1CVRBD0002S00	COVER - ZP1 30/34	1
	<i>P1CVRBD0002J10</i>	<i>COVER, JACKETED - ZP1 30/34</i>	1
49	P1GX105851	WING NUT - ZP1 & ZP2 30/34	8
	<i>P1SX108370</i>	<i>COVER HEX NUT - ZP1 & ZP2 30/34</i>	8
62	P1SX040SPLATE	BEARING RETAINER SPLASH PLATE - ZP1 & ZP2 30/34	2
900	P1GXAD0096001	PICK,COMBO,O-RING ZP1 ZP2	1
901	P1GX000140003	OIL,460FG,MAGNAPLT,1GAL ZP	1
902	P1GX000140002	GREASE,HALO GUARD,14OZ TUBE ZP	1
903	P1GXRTVSEAL	SILICONE,DOW,732,30Z ZP1 ZP2	1
904	P1GX109896	WRENCH,30/34,RTR NUT ZP1	1



Single Mechanical Seal

Optional Items Shown in ITALICS

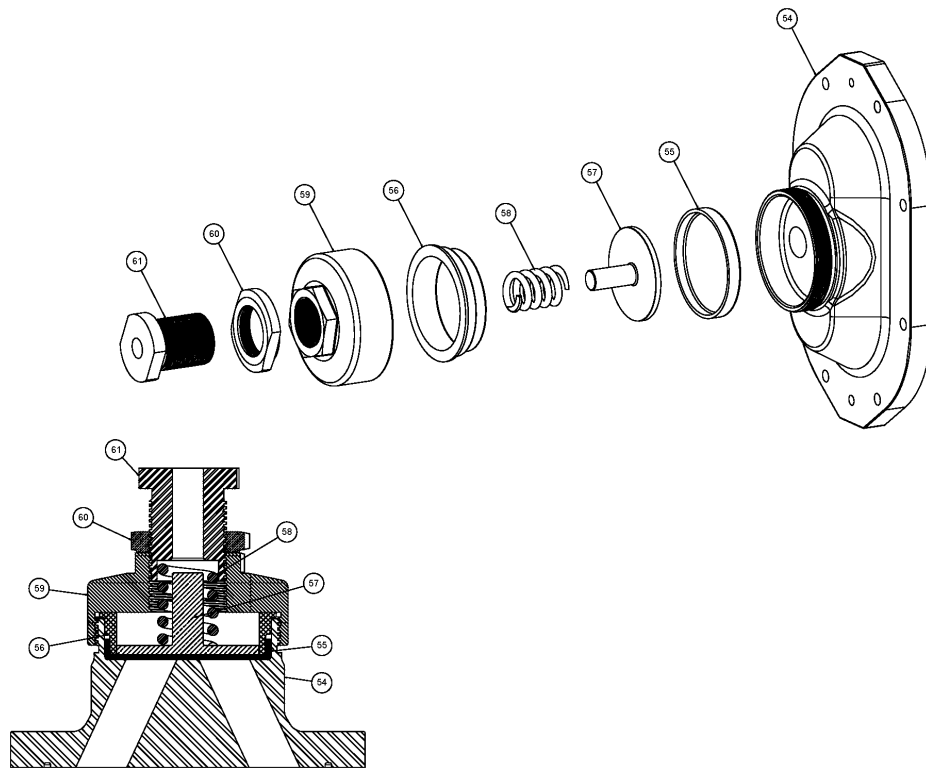
Ref #	Component Item No.	Description	Qty Per
101	N70327	O-RING, BODY (BUNA) - ZP1 30/33/34/40	2
	<i>E70327</i>	<i>O-RING, BODY (EPDM) - ZP1 30/33/34/40</i>	2
	<i>V70327</i>	<i>O-RING, BODY (VITON) - ZP1 30/33/34/40</i>	2
	<i>S75327</i>	<i>O-RING, BODY (SILICONE) - ZP1 30/33/34/40</i>	2
102	N70028	O-RING, SHAFT (BUNA) - ZP1 30/33/34/40	2
	<i>E70028</i>	<i>O-RING, SHAFT (EPDM) - ZP1 30/33/34/40</i>	2
	<i>V70028</i>	<i>O-RING, SHAFT (VITON) - ZP1 30/33/34/40</i>	2
	<i>S75028</i>	<i>O-RING, SHAFT (SILICONE) - ZP1 30/33/34/40</i>	2
123	P1GS030014009	SEAL SEAT (C) ZP1 30/34	2
	<i>P1GS030014002</i>	<i>SEAL SEAT (K) ZP1 30/34</i>	2
	<i>P1GS030014001</i>	<i>SEAL SEAT (CO) ZP1 30/34</i>	2
124	P1GS030306007	SEAL INNER (N) ZP1 30/34	2
	<i>P1GS40821</i>	<i>SEAL INNER (K) ZP1 30/34</i>	2
	<i>P1GS030306009</i>	<i>SEAL INNER (C) ZP1 30/34</i>	2
	<i>P1GS030306002</i>	<i>SEAL INNER (CO) ZP1 30/34</i>	2
125	P1GS030304000	INNER SEAL WAVE SPRING - ZP1 30/34	2



Double Mechanical Seal

Optional Items Shown in ITALICS

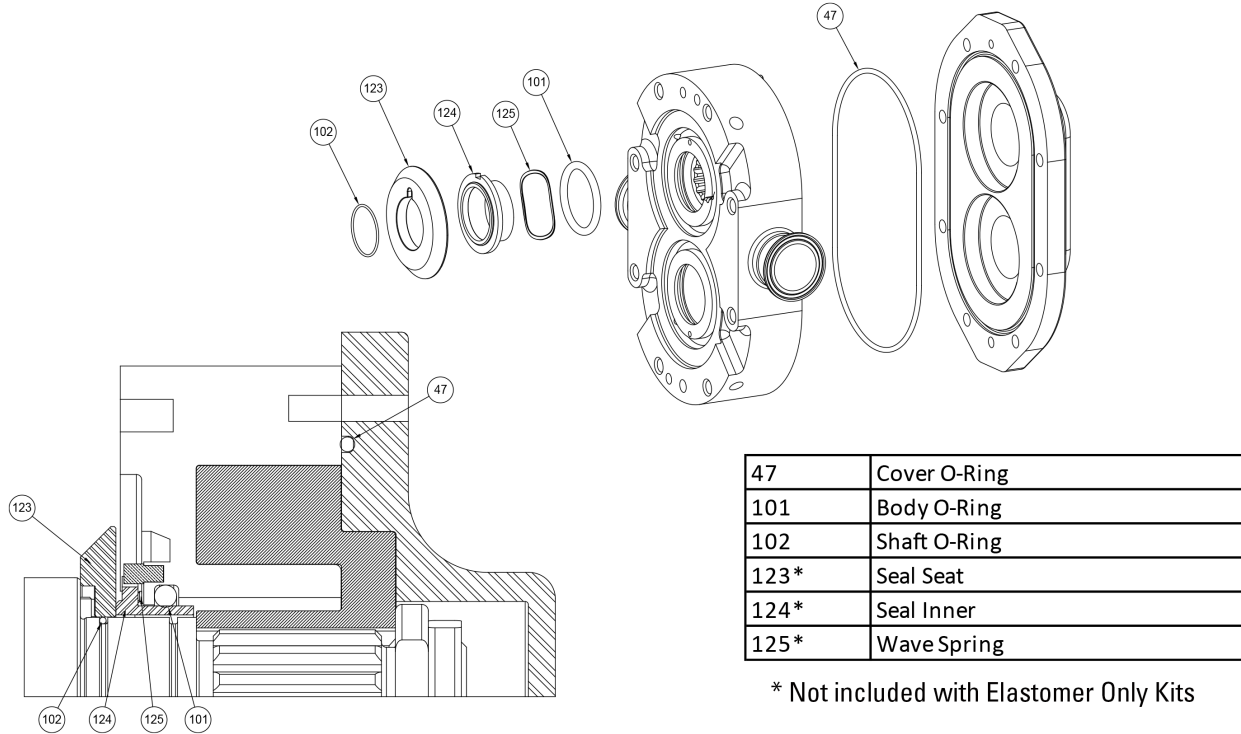
Ref #	Component Item No.	Description	Qty Per
101	N70327	O-RING, BODY (BUNA) - ZP1 30/33/34/40	2
	<i>E70327</i>	<i>O-RING, BODY (EPDM) - ZP1 30/33/34/40</i>	2
	<i>V70327</i>	<i>O-RING, BODY (VITON) - ZP1 30/33/34/40</i>	2
	<i>S75327</i>	<i>O-RING, BODY (SILICONE) - ZP1 30/33/34/40</i>	2
102	N70028	O-RING, SHAFT (BUNA) - ZP1 30/33/34/40	2
	<i>E70028</i>	<i>O-RING, SHAFT (EPDM) - ZP1 30/33/34/40</i>	2
	<i>V70028</i>	<i>O-RING, SHAFT (VITON) - ZP1 30/33/34/40</i>	2
	<i>S75028</i>	<i>O-RING, SHAFT (SILICONE) - ZP1 30/33/34/40</i>	2
123	P1GS030014009	SEAL SEAT (C) ZP1 30/34	2
	<i>P1GS030014002</i>	<i>SEAL SEAT (K) ZP1 30/34</i>	2
	<i>P1GS030014001</i>	<i>SEAL SEAT (CO) ZP1 30/34</i>	2
124	P1GS030306007	SEAL INNER (N) ZP1 30/34	2
	<i>P1GS40821</i>	<i>SEAL INNER (K) ZP1 30/34</i>	2
	<i>P1GS030306009</i>	<i>SEAL INNER (C) ZP1 30/34</i>	2
	<i>P1GS030306002</i>	<i>SEAL INNER (CO) ZP1 30/34</i>	2
125	P1GS030304000	INNER SEAL WAVE SPRING - ZP1 30/34	2
136	N50335	O-RING, OUTER SEAL (BUNA) - ZP1 30/33/34/40	2
	<i>E50335</i>	<i>O-RING, OUTER SEAL (EPDM) - ZP1 30/33/34/40</i>	2
	<i>V50335</i>	<i>O-RING, OUTER SEAL (VITON) - ZP1 30/33/34/40</i>	2
137	P1GS030206007	OUTER SEAL (N) ZP1 30/34	2
	<i>P1GS030206002</i>	<i>OUTER SEAL (CO) ZP1 30/34</i>	2



Pressure Relief Cover

Optional Items Shown in ITALICS

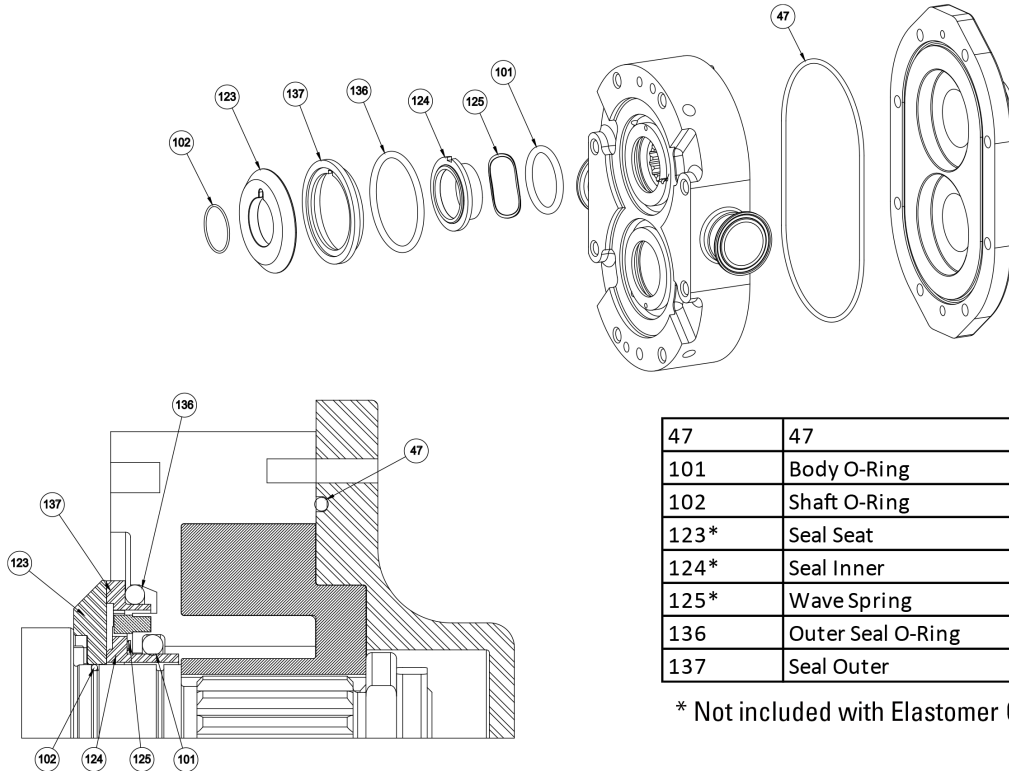
Ref #	Component Item No.	Description	Qty Per
54	P1CVRBD0002VS0	VENTED FRONT COVER, ZP1 - 30/34/40	1
55	P1GXAD0078000	RUBBER DIAPHRAGM, BUNA, ZP1 & ZP2 & ZP3 - 6/15/18/30/34/40	1
	<i>P1GXAD0078EP0</i>	<i>RUBBER DIAPHRAGM, EPDM, ZP1 & ZP2 & ZP3 - 6/15/18/30/34/40</i>	1
	<i>P1GXAD0078V00</i>	<i>RUBBER DIAPHRAGM, VITON, ZP1 & ZP2 & ZP3 - 6/15/18/30/34/40</i>	1
56	P1SXAD0077000	DIAPHRAGM BUSHING, ZP1 & ZP2 & ZP3 - 6/15/18/30/34/40	1
57	P1SXAD0073000	SPRING PLUNGER, ZP1 & ZP2 & ZP3 - 6/15/18/30/34/40	1
58	P1SXAD0076000	SPRING, MEDIUM, (LESS THAN 150 PSI), ZP1 & ZP2 & ZP3 - 6/15/18/30/34/40	1
	<i>P1SXABB076100</i>	<i>SPRING, HIGH, (MORE THAN 150 PSI), ZP1 & ZP2 & ZP3 - 6/15/18/30/34/40</i>	1
59	P1SXAD0075000	COVER NUT, ZP1 & ZP2 & ZP3 - 6/15/18/30/34/40	1
60	P1SXAD0074000	LOCKNUT, ZP1 & ZP2 & ZP3 - 6/15/18/30/34/40	1
61	P1SXAD0072000	ADJUSTING SCREW, ZP1 & ZP2 & ZP3 - 6/15/18/30/34/40	1



Single Mechanical Seal Kit

Optional Items Shown in ITALICS

Ref #	Component Item No.	Description	Qty Per
1	P1GX030000-N	SEAL KIT, SGL MECH, ELASTOMERS ONLY, BUNA - ZP1 30/34/40	1
	<i>P1GX030000-E</i>	<i>SEAL KIT, SGL MECH, ELASTOMERS ONLY, EPDM - ZP1 30/34/40</i>	<i>1</i>
	<i>P1GX030000-V</i>	<i>SEAL KIT, SGL MECH, ELASTOMERS ONLY, VITON - ZP1 30/34/40</i>	<i>1</i>
2	P1GS030000-N	SEAL KIT, SGL MECH, SC/CA, BUNA - ZP1 30/34/40	1
	<i>P1GS030000-E</i>	<i>SEAL KIT, SGL MECH, SC/CA, EPDM - ZP1 30/34/40</i>	<i>1</i>
	<i>P1GS030000-V</i>	<i>SEAL KIT, SGL MECH, SC/CA, VITON - ZP1 30/34/40</i>	<i>1</i>
3	P1GS030020-N	SEAL KIT, SGL MECH, CE/CA, BUNA - ZP1 30/34/40	1
	<i>P1GS030020-E</i>	<i>SEAL KIT, SGL MECH, CE/CA, EPDM - ZP1 30/34/40</i>	<i>1</i>
	<i>P1GS030020-V</i>	<i>SEAL KIT, SGL MECH, CE/CA, VITON - ZP1 30/34/40</i>	<i>1</i>
4	<i>P1GS030030-V</i>	<i>SEAL KIT, SGL MECH, CE/CE, VITON - ZP1 30/34/40</i>	<i>1</i>
	P1GS030010-N	SEAL KIT, SGL MECH, SC/SC, BUNA - ZP1 30/34/40	1
5	<i>P1GS030010-E</i>	<i>SEAL KIT, SGL MECH, SC/SC, EPDM - ZP1 30/34/40</i>	<i>1</i>
	<i>P1GS030010-V</i>	<i>SEAL KIT, SGL MECH, SC/SC, VITON - ZP1 30/34/40</i>	<i>1</i>



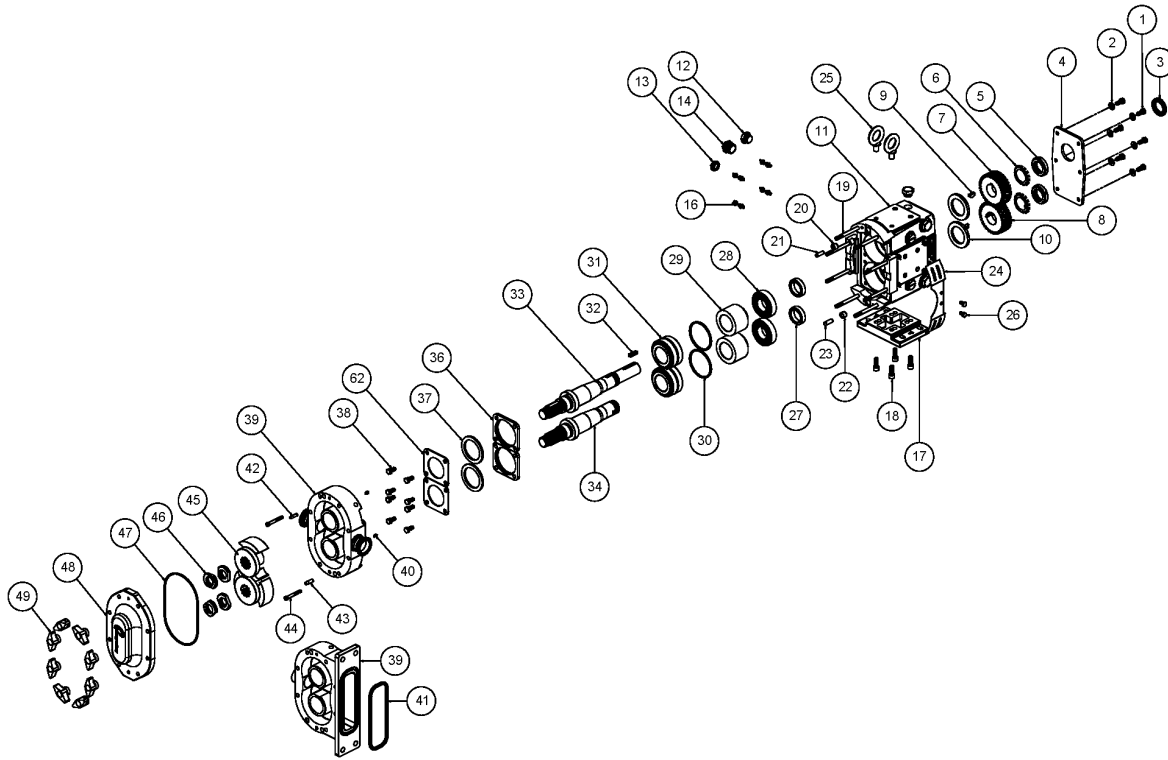
47	47
101	Body O-Ring
102	Shaft O-Ring
123*	Seal Seat
124*	Seal Inner
125*	Wave Spring
136	Outer Seal O-Ring
137	Seal Outer

* Not included with Elastomer Only Kits

Double Mechanical Seal Kit

Optional Items Shown in ITALICS

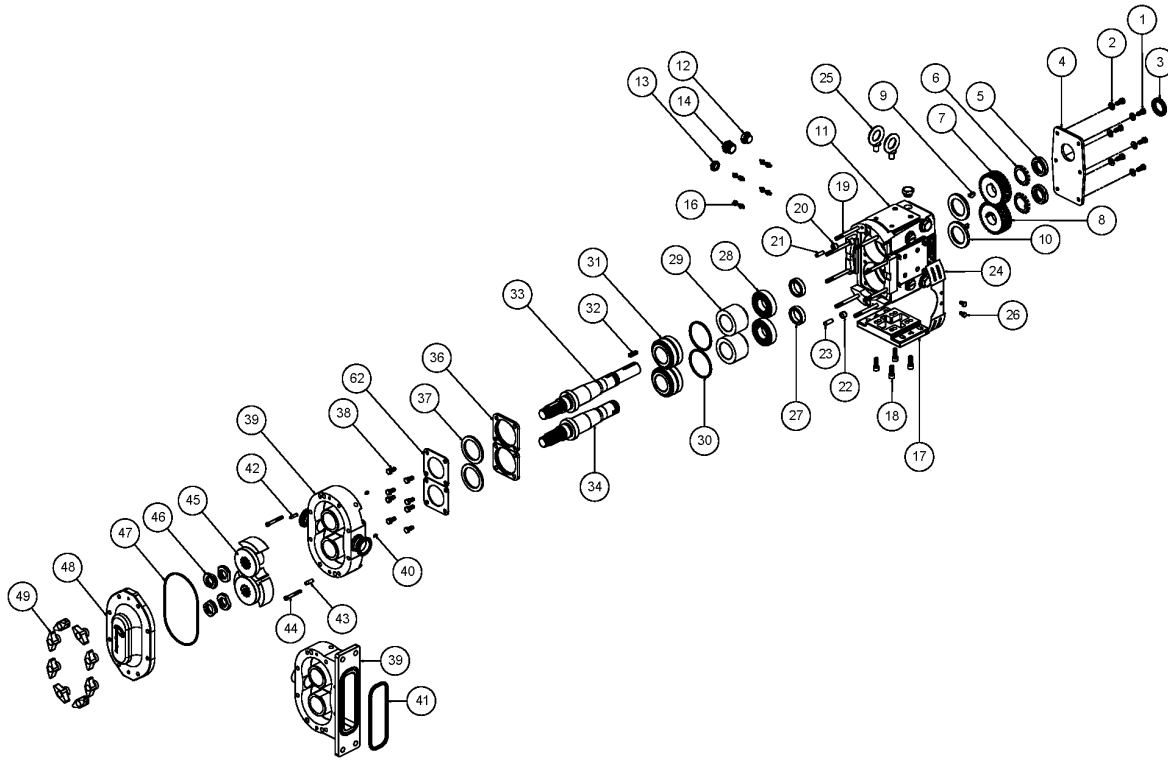
Ref #	Component Item No.	Description	Qty Per
1	P1GX030200-N	SEAL KIT, DBL MECH, ELASTOMERS ONLY, BUNA - ZP1 30/34/40	1
	<i>P1GX030200-E</i>	<i>SEAL KIT, DBL MECH, ELASTOMERS ONLY, EPDM - ZP1 30/34/40</i>	<i>1</i>
	<i>P1GX030200-V</i>	<i>SEAL KIT, DBL MECH, ELASTOMERS ONLY, VITON - ZP1 30/34/40</i>	<i>1</i>
2	P1GS030200-N	SEAL KIT, DBL MECH, SC/CA/CA, BUNA - ZP1 30/34/40	1
	<i>P1GS030200-E</i>	<i>SEAL KIT, DBL MECH, SC/CA/CA, EPDM - ZP1 30/34/40</i>	<i>1</i>
	<i>P1GS030200-V</i>	<i>SEAL KIT, DBL MECH, SC/CA/CA, VITON - ZP1 30/34/40</i>	<i>1</i>
3	P1GS030220-N	SEAL KIT, DBL MECH, CE/CA/CA, BUNA - ZP1 30/34/40	1
	<i>P1GS030220-E</i>	<i>SEAL KIT, DBL MECH, CE/CA/CA, EPDM - ZP1 30/34/40</i>	<i>1</i>
	<i>P1GS030220-V</i>	<i>SEAL KIT, DBL MECH, CE/CA/CA, VITON - ZP1 30/34/40</i>	<i>1</i>
5	P1GS030210-N	SEAL KIT, DBL MECH, SC/SC/CA, BUNA - ZP1 30/34/40	1
	<i>P1GS030210-E</i>	<i>SEAL KIT, DBL MECH, SC/SC/CA, EPDM - ZP1 30/34/40</i>	<i>1</i>
	<i>P1GS030210-V</i>	<i>SEAL KIT, DBL MECH, SC/SC/CA, VITON - ZP1 30/34/40</i>	<i>1</i>



Exploded View

Optional Items Shown in ITALICS

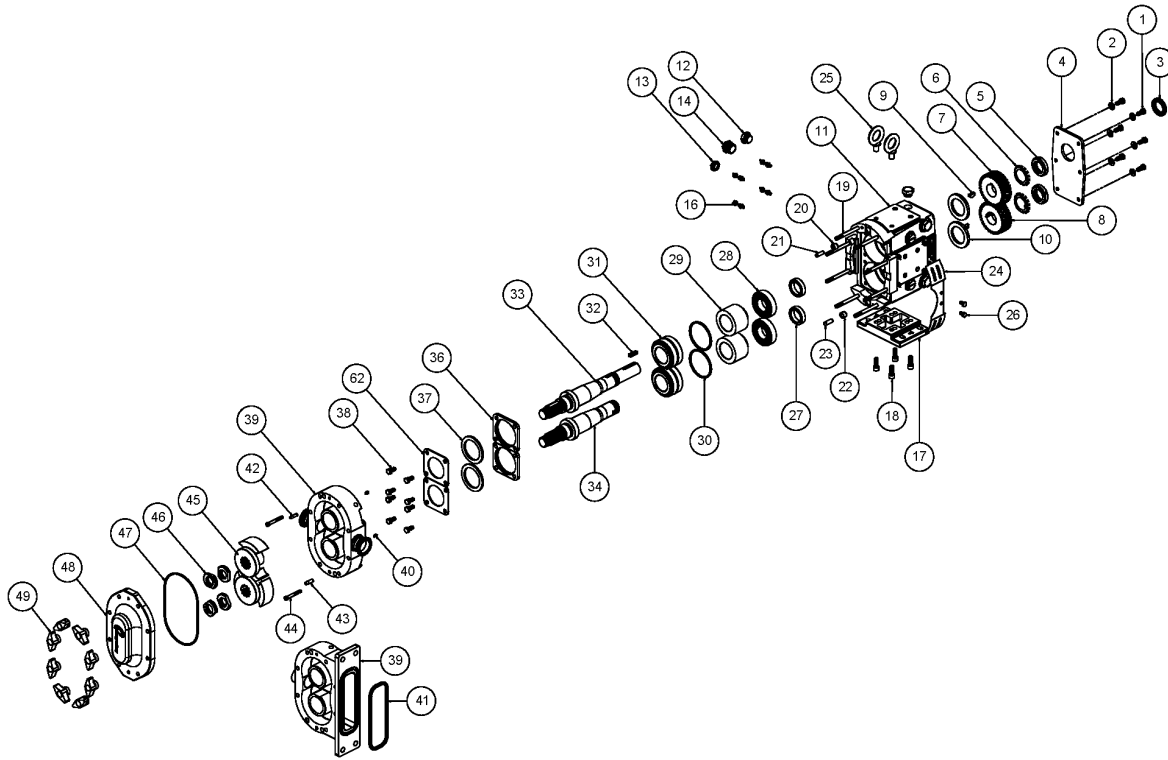
Ref #	Component Item No.	Description	Qty Per
1	P1GX30-58	HEX HEAD CAP SCREW G.CASE COVER, SS - ZP1 & ZP2 6/15/18	6
2	P1GX43-108	FLAT WASHER, G CASE COVER, 1/4 X 5/8 OD, SS - ZP1 & ZP2 6/15	6
3	P1GX000030013-ND	OIL SEAL, PTFE, GEAR CASE COVER - ZP1 & ZP2 30/34	1
	<i>P1GX000030013</i>	<i>OIL SEAL, GEAR CASE COVER - ZP1 & ZP2 30/34</i>	1
4	P1SX040106000	GEAR CASE COVER, SS - ZP1 & ZP2 30/34	1
5	P1GXCD0036N00	GEAR LOCKNUT ZP1 & ZP2 30/34	2
6	P1GXCD0036W00	GEAR LOCKWASHER ZP2 30/34	2
7	P1GX030007001	GEAR DRIVE SHAFT ZP1 & ZP2 30/34	1
8	P1GX030007002	GEAR SHORT SHAFT ZP1 & ZP2 30/34	1
9	P1GXBD0037000	GEAR KEY - ZP1 & ZP2 30/34	2
10	P1GX000030014	OIL SEAL, REAR - ZP1 & ZP2 30/34	2
11	P1SX040005000	GEAR CASE, SS - ZP1 & ZP2 30/34	1
12	P1GX115798	PLUG,HEX,20M X1.5,W/NBR SEAL	5
13	P1GX115799	GAUGE,OIL,LVL,INDIC,M-20X1.5	1
14	P1GX70PLUG-SS	CLEAN OUT PLUG, SS - ZP1 & ZP2 30/34	4
	<i>P1GX70PLUG</i>	<i>CLEAN OUT PLUG, YELLOW - ZP1 & ZP2 30/34</i>	4
16	P1GXBD0092001	GREASE FITTING, THREADED 1/4"-28 TAPER, SS	8
17	P1SX040110000	GEAR CASE BASE, SS - ZP1 & ZP2 30/34	1
18	P1GX30SHCSGCB	SHCS, G. CASE BASE, (18-8 SS) 3/8-16 X 1 - ZP1 & ZP2 30/34	4
19	P1GX118897	STUD, ZP1 40	8
	<i>P1GX118898</i>	<i>STUD, JACKETED COVER, ZP1 40</i>	8
20	P1GXBD0116000	UPPER DOWEL BUSHING - ZP1 & ZP2 30/34	1
21	P1GX124582	DOWEL PIN - ZP1 & ZP2 45/60/64/130/134	1
22	P1GXBD0116100	LOWER DOWEL BUSHING - ZP1 & ZP2 30/34	1
23	P1GX124583	DOWEL PIN - ZP1 & ZP2 45/60/64/130/134	1
24	P1SX040CEGUARD	GUARD,30/34,(CE),GC,,SS	2
26	P1GX000CENAIL	DRIVENAIL,ZP,GEAR CASE GUARDS	4



Exploded View

Optional Items Shown in ITALICS

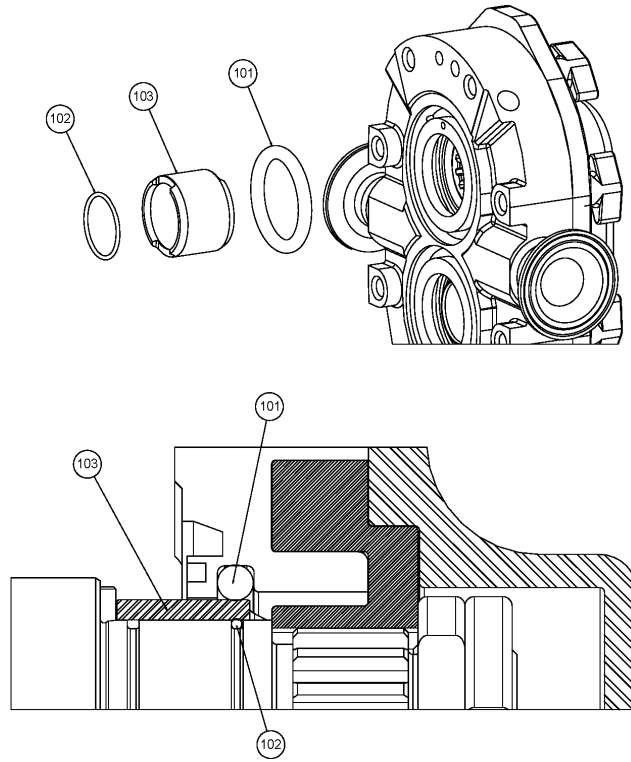
Ref #	Component Item No.	Description	Qty Per
27	P1GX030055000	GEAR TO REAR BEARING SPACER - ZP1 & ZP2 30/33/34	2
28	P1GX030035000	REAR BEARING - ZP1 & ZP2 30/33/34	2
29	P1GX101815	BEARING SPACER - ZP1 & ZP2 30/33/34	2
30	P1GX117890	SHIM KIT - ZP1 & ZP2 30/34	2
31	P1GX101715	FRONT BEARING - ZP1 & ZP2 30/33/34	2
32	P1GX000037002	DRIVE KEY, 1/4" SQ. X 1" - ZP1 & ZP2 30/34	1
33	P1SX118718	DRIVE SHAFT (17-4PH) - ZP1 40 (TAPER)	1
34	P1SX118719	SHORT SHAFT (17-4PH) - ZP1 40 (TAPER)	1
36	P1SX120333	BEARING RETAINER, NEW STYLE 3A - ZP1 & ZP2 30/34	2
37	P1GX121680-ND	GREASE SEAL, PTFE, FRONT BEARING RET. 3A - ZP1 & ZP2 30/34	2
	<i>P1GX121680</i>	<i>GREASE SEAL FRONT BEARING RET. 3A - ZP1 & ZP2 30/34</i>	2
38	P1GX30-283	5/16-18 X 3/4" HX HD CAP SCREW, SS -ZP1 & ZP2 30	8
39	P1BDY040001000	BODY - ZP1 40	1
	<i>P1BDY040001F00</i>	<i>BODY - ZP1 40 - FLUSHED</i>	1
40	P1GX030126000	STOP PIN SEAL - ZP1 & ZP2 30/34	2
42	P1GX124581	DOWEL PIN - ZP1 & ZP2 6/15/18/24	1
43	P1GX124582	DOWEL PIN - ZP1 & ZP2 45/60/64/130/134	1
44	P1GX40RETSCREW	SCREW,40,BDY RET,1/4-20X2.5,SS ZP1 ZP2	2
45	P1RTB040010000	ROTOR TWIN BLADE - ALLOY 88 - ZP1 40	2
	<i>P1RTB04001000H</i>	<i>ROTOR TWIN BLADE - ALLOY 88 - ZP1 40 - HOT CLEARANCE</i>	2
	<i>P1RTB0400100HC</i>	<i>ROTOR TWIN BLADE - ALLOY 88 - ZP1 40 - HOT CHOCOLATE</i>	2
	<i>P1RTB040010200</i>	<i>ROTOR TWIN BLADE - 316L - ZP1 40</i>	2
	<i>P1RSW040010010</i>	<i>ROTOR SINGLE WING - ALLOY 88 - ZP1 40 - STRAIGHT</i>	1
	<i>P1RSW040010090</i>	<i>ROTOR SINGLE WING - ALLOY 88 - ZP1 40 - 90°</i>	1
46	P1SXBD0052001	ROTOR JAM NUT - ZP1 30/34	4
47	N70261	O-RING, COVER (BUNA) - ZP1 30/33/34	1
	<i>S75261</i>	<i>O-RING, COVER (SILICONE) - ZP1 30/33/34</i>	1



Exploded View

Optional Items Shown in ITALICS

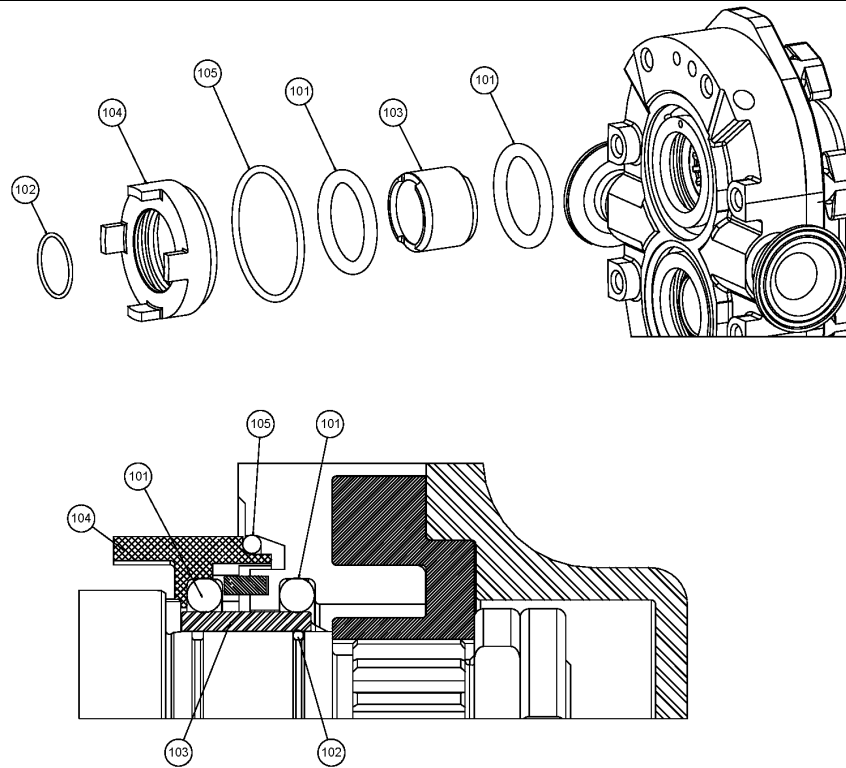
Ref #	Component Item No.	Description	Qty Per
47	V70261	O-RING, COVER (VITON) - ZP1 30/33/34	1
	E70261	O-RING, COVER (EPDM) - ZP1 30/33/34	1
48	P1CVRBD0002S00	COVER - ZP1 30/34	1
	<i>P1CVRBD0002J10</i>	<i>COVER, JACKETED - ZP1 30/34</i>	1
49	P1GX105851	WING NUT - ZP1 & ZP2 30/34	8
	<i>P1SX108370</i>	<i>COVER HEX NUT - ZP1 & ZP2 30/34</i>	8
62	P1SX040SPLATE	BEARING RETAINER SPLASH PLATE - ZP1 & ZP2 30/34	2
900	P1GXAD0096001	PICK,COMBO,O-RING ZP1 ZP2	1
901	P1GX000140003	OIL,460FG,MAGNAPLT,1GAL ZP	1
902	P1GX000140002	GREASE,HALO GUARD,14OZ TUBE ZP	1
903	P1GXRTVSEAL	SILICONE,DOW,732,30Z ZP1 ZP2	1
904	P1GX109896	WRENCH,30/34,RTR NUT ZP1	1



Single O-Ring Seal

Optional Items Shown in ITALICS

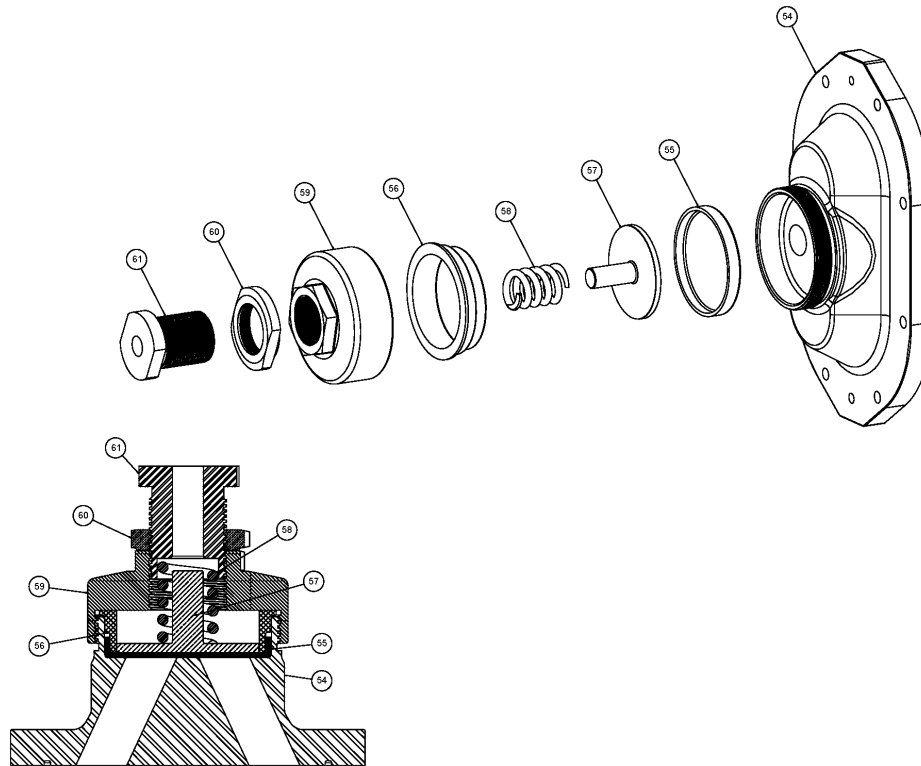
Ref #	Component Item No.	Description	Qty Per
101	N70327	O-RING, BODY (BUNA) - ZP1 30/33/34/40	2
	<i>E70327</i>	<i>O-RING, BODY (EPDM) - ZP1 30/33/34/40</i>	2
	<i>V70327</i>	<i>O-RING, BODY (VITON) - ZP1 30/33/34/40</i>	2
	<i>S75327</i>	<i>O-RING, BODY (SILICONE) - ZP1 30/33/34/40</i>	2
102	N70028	O-RING, SHAFT (BUNA) - ZP1 30/33/34/40	2
	<i>E70028</i>	<i>O-RING, SHAFT (EPDM) - ZP1 30/33/34/40</i>	2
	<i>V70028</i>	<i>O-RING, SHAFT (VITON) - ZP1 30/33/34/40</i>	2
	<i>S75028</i>	<i>O-RING, SHAFT (SILICONE) - ZP1 30/33/34/40</i>	2
103	P1SX030098001	SLEEVE (17-4PH H900) ZP1 30/34 - SLOTTED	2
	<i>P1SX030098004</i>	<i>ZIRCONIA SLEEVE - ZP1 30/34</i>	2
	<i>P1SX030098002</i>	<i>CHROME OXIDE SLEEVE (316L) - ZP1 30/34</i>	2



Double O-Ring Seal

Optional Items Shown in ITALICS

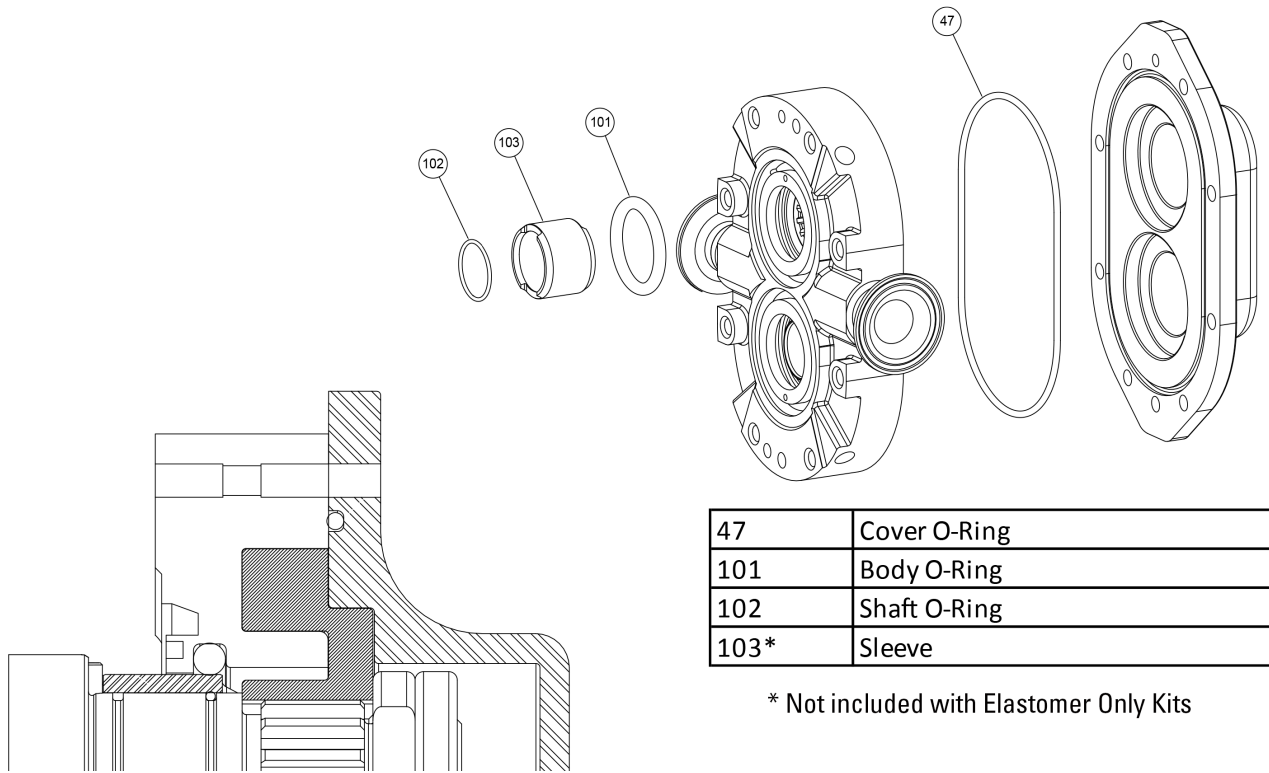
Ref #	Component Item No.	Description	Qty Per
101	N70327	O-RING, BODY (BUNA) - ZP1 30/33/34/40	4
	<i>E70327</i>	<i>O-RING, BODY (EPDM) - ZP1 30/33/34/40</i>	4
	<i>V70327</i>	<i>O-RING, BODY (VITON) - ZP1 30/33/34/40</i>	4
	<i>S75327</i>	<i>O-RING, BODY (SILICONE) - ZP1 30/33/34/40</i>	4
102	N70028	O-RING, SHAFT (BUNA) - ZP1 30/33/34/40	2
	<i>E70028</i>	<i>O-RING, SHAFT (EPDM) - ZP1 30/33/34/40</i>	2
	<i>V70028</i>	<i>O-RING, SHAFT (VITON) - ZP1 30/33/34/40</i>	2
	<i>S75028</i>	<i>O-RING, SHAFT (SILICONE) - ZP1 30/33/34/40</i>	2
103	P1SX030098001	SLEEVE (17-4PH H900) ZP1 30/34 - SLOTTED	2
	<i>P1SX030098004</i>	<i>ZIRCONIA SLEEVE - ZP1 30/34</i>	2
	<i>P1SX030098002</i>	<i>CHROME OXIDE SLEEVE (316L) - ZP1 30/34</i>	2
104	P1SX030034002	O-RING SEAL CARRIER, 3A NEW STYLE - ZP1 30/33/34/40	2
105	N50335	O-RING, OUTER SEAL (BUNA) - ZP1 30/33/34/40	2
	<i>E50335</i>	<i>O-RING, OUTER SEAL (EPDM) - ZP1 30/33/34/40</i>	2
	<i>V50335</i>	<i>O-RING, OUTER SEAL (VITON) - ZP1 30/33/34/40</i>	2



Pressure Relief Cover

Optional Items Shown in ITALICS

Ref #	Component Item No.	Description	Qty Per
54	P1CVRBD0002VS0	VENTED FRONT COVER, ZP1 - 30/34/40	1
55	P1GXAD0078000	RUBBER DIAPHRAGM, BUNA, ZP1 & ZP2 & ZP3 - 6/15/18/30/34/40	1
	<i>P1GXAD0078EP0</i>	<i>RUBBER DIAPHRAGM, EPDM, ZP1 & ZP2 & ZP3 - 6/15/18/30/34/40</i>	1
	<i>P1GXAD0078V00</i>	<i>RUBBER DIAPHRAGM, VITON, ZP1 & ZP2 & ZP3 - 6/15/18/30/34/40</i>	1
56	P1SXAD0077000	DIAPHRAGM BUSHING, ZP1 & ZP2 & ZP3 - 6/15/18/30/34/40	1
57	P1SXAD0073000	SPRING PLUNGER, ZP1 & ZP2 & ZP3 - 6/15/18/30/34/40	1
58	P1SXAD0076000	SPRING, MEDIUM, (LESS THAN 150 PSI), ZP1 & ZP2 & ZP3 - 6/15/18/30/34/40	1
	<i>P1SXABB076100</i>	<i>SPRING, HIGH, (MORE THAN 150 PSI), ZP1 & ZP2 & ZP3 - 6/15/18/30/34/40</i>	1
59	P1SXAD0075000	COVER NUT, ZP1 & ZP2 & ZP3 - 6/15/18/30/34/40	1
60	P1SXAD0074000	LOCKNUT, ZP1 & ZP2 & ZP3 - 6/15/18/30/34/40	1
61	P1SXAD0072000	ADJUSTING SCREW, ZP1 & ZP2 & ZP3 - 6/15/18/30/34/40	1



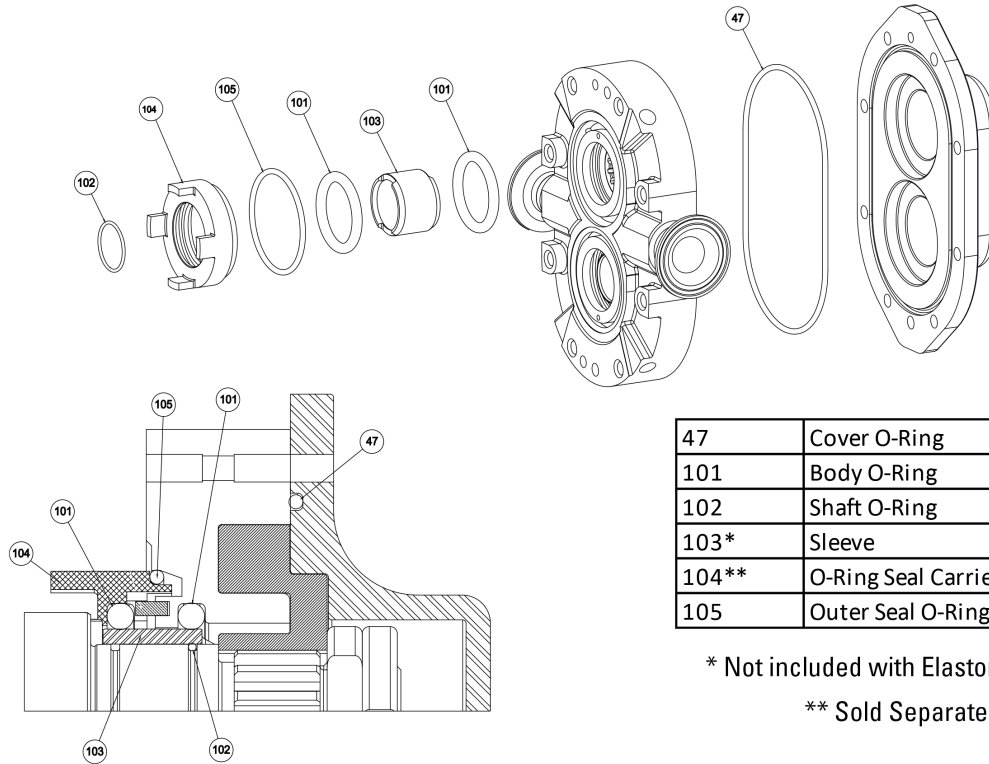
47	Cover O-Ring
101	Body O-Ring
102	Shaft O-Ring
103*	Sleeve

* Not included with Elastomer Only Kits

Single O-Ring Seal Kit

Optional Items Shown in ITALICS

Ref #	Component Item No.	Description	Qty Per
1	P1GX030000-N	SEAL KIT, SGL O-RING, ELASTOMERS ONLY, BUNA - ZP1 30/34/40	1
	<i>P1GX030000-E</i>	<i>SEAL KIT, SGL O-RING, ELASTOMERS ONLY, EPDM - ZP1 30/34/40</i>	<i>1</i>
	<i>P1GX030000-V</i>	<i>SEAL KIT, SGL O-RING, ELASTOMERS ONLY, VITON - ZP1 30/34/40</i>	<i>1</i>
2	P1GS03000S-N	SEAL KIT, SGL O-RING, 17-4 SS SLVS, BUNA - ZP1 30/34/40	1
	<i>P1GS03000S-E</i>	<i>SEAL KIT, SGL O-RING, 17-4 SS SLVS, EPDM - ZP1 30/34/40</i>	<i>1</i>
	<i>P1GS03000S-V</i>	<i>SEAL KIT, SGL O-RING, 17-4 SS SLVS, VITON - ZP1 30/34/40</i>	<i>1</i>
3	P1GS03000Z-N	SEAL KIT, SGL O-RING, ZIRCONIA SLVS, BUNA - ZP1 30/34/40	1
	<i>P1GS03000Z-E</i>	<i>SEAL KIT, SGL O-RING, ZIRCONIA SLVS, EPDM - ZP1 30/34/40</i>	<i>1</i>
	<i>P1GS03000Z-V</i>	<i>SEAL KIT, SGL O-RING, ZIRCONIA SLVS, VITON - ZP1 30/34/40</i>	<i>1</i>



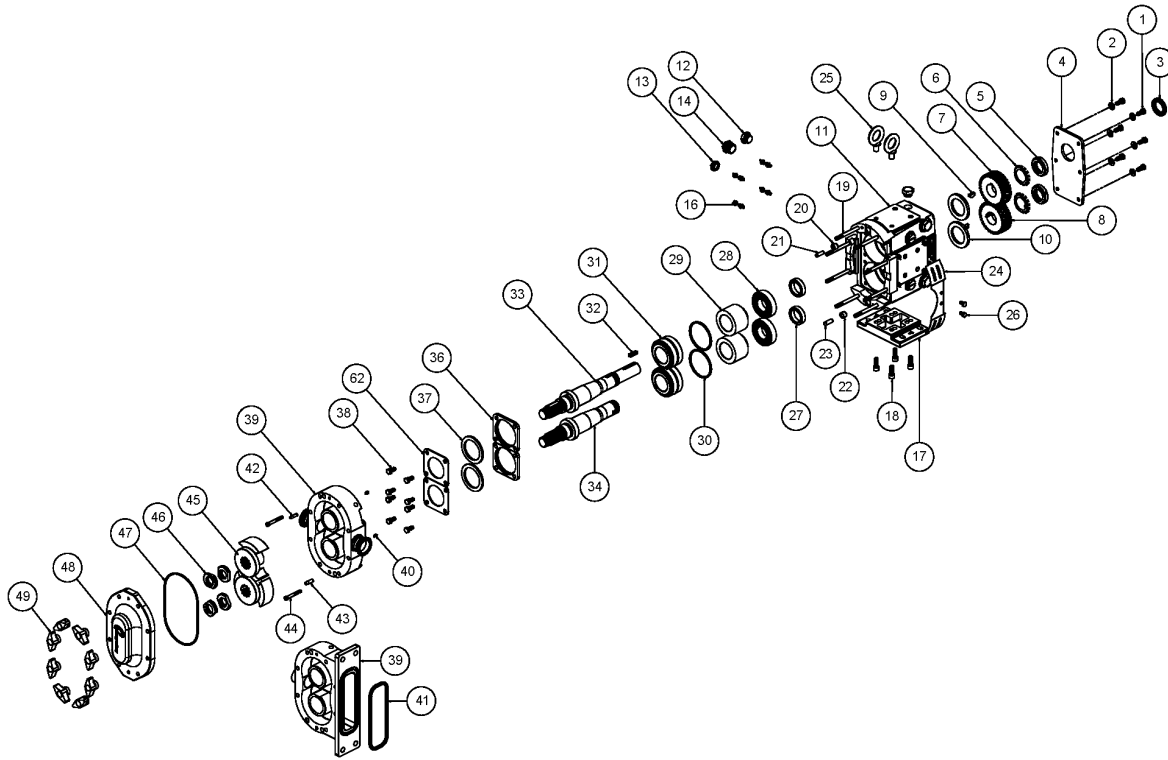
47	Cover O-Ring
101	Body O-Ring
102	Shaft O-Ring
103*	Sleeve
104**	O-Ring Seal Carrier
105	Outer Seal O-Ring

* Not included with Elastomer Only Kits
** Sold Separately

Double O-Ring Seal Kit

Optional Items Shown in ITALICS

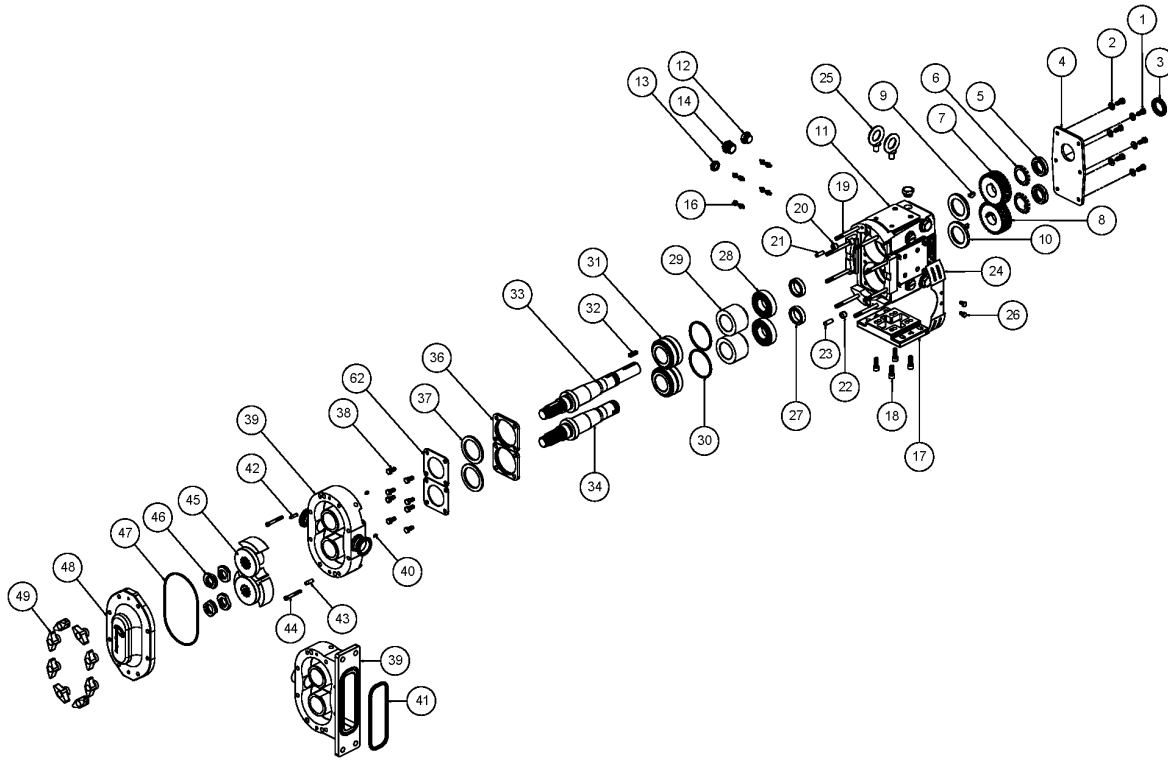
Ref #	Component Item No.	Description	Qty Per
1	P1GX030200-N	SEAL KIT, DBL O-RING, ELASTOMERS ONLY, BUNA - ZP1 30/34/40	1
	<i>P1GX030200-E</i>	<i>SEAL KIT, DBL O-RING, ELASTOMERS ONLY, EPDM - ZP1 30/34/40</i>	<i>1</i>
	<i>P1GX030200-V</i>	<i>SEAL KIT, DBL O-RING, ELASTOMERS ONLY, VITON - ZP1 30/34/40</i>	<i>1</i>
2	P1GS03020S-N	SEAL KIT, DBL O-RING, 17-4 SS SLVS, BUNA - ZP1 30/34/40	1
	<i>P1GS03020S-E</i>	<i>SEAL KIT, DBL O-RING, 17-4 SS SLVS, EPDM - ZP1 30/34/40</i>	<i>1</i>
	<i>P1GS03020S-V</i>	<i>SEAL KIT, DBL O-RING, 17-4 SS SLVS, VITON - ZP1 30/34/40</i>	<i>1</i>
3	P1GS03020Z-N	SEAL KIT, DBL O-RING, ZIRCONIA SLVS, BUNA - ZP1 30/34/40	1
	<i>P1GS03020Z-E</i>	<i>SEAL KIT, DBL O-RING, ZIRCONIA SLVS, EPDM - ZP1 30/34/40</i>	<i>1</i>
	<i>P1GS03020Z-V</i>	<i>SEAL KIT, DBL O-RING, ZIRCONIA SLVS, VITON - ZP1 30/34/40</i>	<i>1</i>



Exploded View

Optional Items Shown in ITALICS

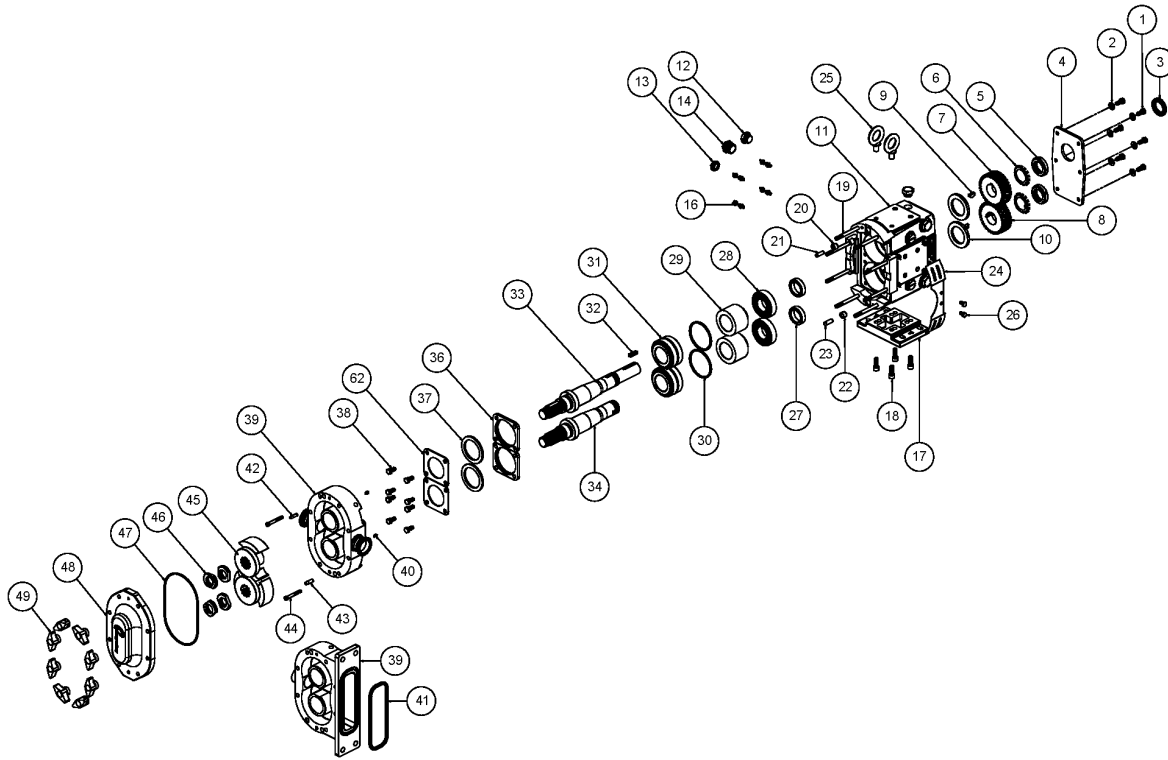
Ref #	Component Item No.	Description	Qty Per
1	P1GX30-50	GEAR CASE COVER BOLT - 3/8-16 X 3/4 HHCS (18-8 SS)	6
2	P1GX43-189	GEAR CASE COVER WASHER - 3/8 FLAT WASHER (18-8 SS)	6
3	P1GX000030012-ND	OIL SEAL, PTFE, GEAR CASE COVER - ZP1 & ZP2 45/60/64/130/134	1
	<i>P1GX000030012</i>	<i>OIL SEAL, GEAR CASE COVER - ZP1 & ZP2 45/60/64/130/134</i>	1
4	P1SX070106000	GEAR CASE COVER, SS - ZP1 & ZP2 45/60/64/130/134	1
5	P1GXSTD236009	GEAR LOCKNUT ZP1 & ZP2 45/60/64/130/134	2
6	P1GXSTD136009	GEAR LOCKWASHER ZP1 & ZP2 45/60/64/130/134	2
7	P1GX060007001	GEAR DRIVE SHAFT ZP1 & ZP2 45/60/64/130/134	1
8	P1GX060007002	GEAR SHORT SHAFT ZP1 & ZP2 45/60/64/130/134	1
9	P1GX060037000	GEAR KEY - ZP1 & ZP2 45/60/64/130/134	2
10	P1GX000030011	OIL SEAL REAR - ZP1 & ZP2 45/60/64/130/134	2
11	P1SX070005000	GEAR CASE, SS - ZP1 & ZP2 45/60/64/130/134	1
12	P1GX115798	PLUG,HEX,20M X1.5,W/NBR SEAL	5
13	P1GX115799	GAUGE,OIL,LVL,INDIC,M-20X1.5	1
14	P1GX70PLUG-SS	CLEAN OUT PLUG, SS - ZP1 & ZP2 45/60/64/130/134	4
	<i>P1GX70PLUG</i>	<i>CLEAN OUT PLUG, YELLOW - ZP1 & ZP2 45/60/64/130/134</i>	4
16	P1GXBD0092001	GREASE FITTING, THREADED 1/4"-28 TAPER, SS	8
17	P1SX070110000	GEAR CASE BASE, SS - ZP1 & ZP2 45/60/64/130/134	1
18	P1GX60SHCSGCB	SHCS, G. CASE BASE, (18-8 SS) 1/2-13 X 1.5" ZP1 & ZP2 60/130	4
19	P1GX108843	STUD, ZP1 60	8
	<i>P1GX108846</i>	<i>STUD, JACKETED COVER, ZP1 60</i>	8
20	P1GXCD0116000	UPPER DOWEL BUSHING - ZP1 & ZP2 45/60/64/130/134/180/220/224	1
21	P1GX124584	DOWEL PIN - ZP1 & ZP2 45/60/64/130/134	1
22	P1GXCD0116100	LOWER DOWEL BUSHING - ZP1 & ZP2 45/60/64/130/134/180/220/224	1
23	P1GX124586	DOWEL PIN - ZP1 & ZP2 45/60/64/130/134	1
24	P1SX070CEGUARD	GUARD,45-134,(CE),GC,SS	2
25	P1GXEYEBOLT-SS	EYE BOLT,60-224,SS	2



Exploded View

Optional Items Shown in ITALICS

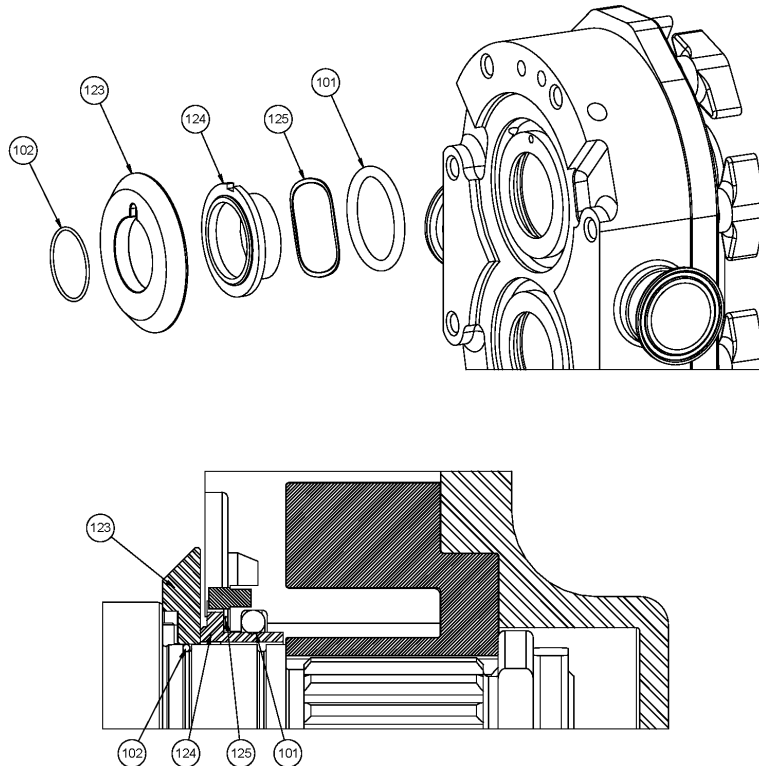
Ref #	Component Item No.	Description	Qty Per
26	P1GX000CENAIL	DRIVENAIL,ZP,GEAR CASE GUARDS	4
27	P1GX107187	GEAR TO REAR BEARING SPACER - ZP1 & ZP2 45/60/64/130/134	2
28	P1GX107186	REAR BEARING - ZP1 & ZP2 45/60/64/130/134	2
29	P1GX060055003	BEARING SPACER - ZP1 & ZP2 45/60/64/130/134	2
30	P1GX117891	SHIM KIT - ZP1 & ZP2 45/60/64/130/134	2
31	P1GX060036000	FRONT BEARING - ZP1 & ZP2 45/60/64/130/134	2
32	P1GX000037003	DRIVE KEY, 3/8" SQ. X 1-5/8" - ZP1 & ZP2 45/60/64/130/134	1
33	P1SX060008001	DRIVE SHAFT (17-4PH) - ZP1 60/64	1
34	P1SX060009001	SHORT SHAFT (17-4PH) - ZP1 60/64	1
36	P1SX121828	BEARING RETAINER, NEW STYLE 3A - ZP1 & ZP2 60/64/130/134	2
37	P1GX000030009-ND	GREASE SEAL, PTFE, FRONT BEARING RET. - ZP1 45/60/64/130/134	2
	<i>P1GX000030009</i>	<i>GREASE SEAL FRONT BEARING RET. - ZP1 45/60/64/130/134</i>	2
38	GX5077200	CAPSCRW,HX,3/8-16X1-1/4,18-8SS HX HD	8
39	P1BDY060001000	BODY - ZP1 60	1
	<i>P1BDY060001F00</i>	<i>BODY - ZP1 60 - FLUSHED</i>	1
40	P1GX223126000	SEAL STOP PIN - ZP1 60/64/130/134/220/224	2
42	P1GX124582	DOWEL PIN - ZP1 & ZP2 45/60/64/130/134	1
43	P1GX124583	DOWEL PIN - ZP1 & ZP2 45/60/64/130/134	1
44	P1GX30-319	CAPSCRW,SH,5/16-18X3,18-8SS SCKT HD	2
45	P1RTB060010000	ROTOR TWIN BLADE - ALLOY 88 - ZP1 60	2
	<i>P1RTB06001000H</i>	<i>ROTOR TWIN BLADE - ALLOY 88 - ZP1 60 - HOT CLEARANCE</i>	2
	<i>P1RTB0600100HC</i>	<i>ROTOR TWIN BLADE - ALLOY 88 - ZP1 60 - HOT CHOCOLATE</i>	2
	<i>P1RTB060010200</i>	<i>ROTOR TWIN BLADE - 316L - ZP1 60</i>	2
	<i>P1RSW060010010</i>	<i>ROTOR SINGLE WING - ALLOY 88 - ZP1 60 - STRAIGHT</i>	1
	<i>P1RSW060010090</i>	<i>ROTOR SINGLE WING - ALLOY 88 - ZP1 60 - 90°</i>	1
46	P1SX060052001	ROTOR JAM NUT - ZP1 60/64/130/134	4
47	N70272	O-RING, COVER (BUNA) - ZP1 45/60/64/130/134	1



Exploded View

Optional Items Shown in ITALICS

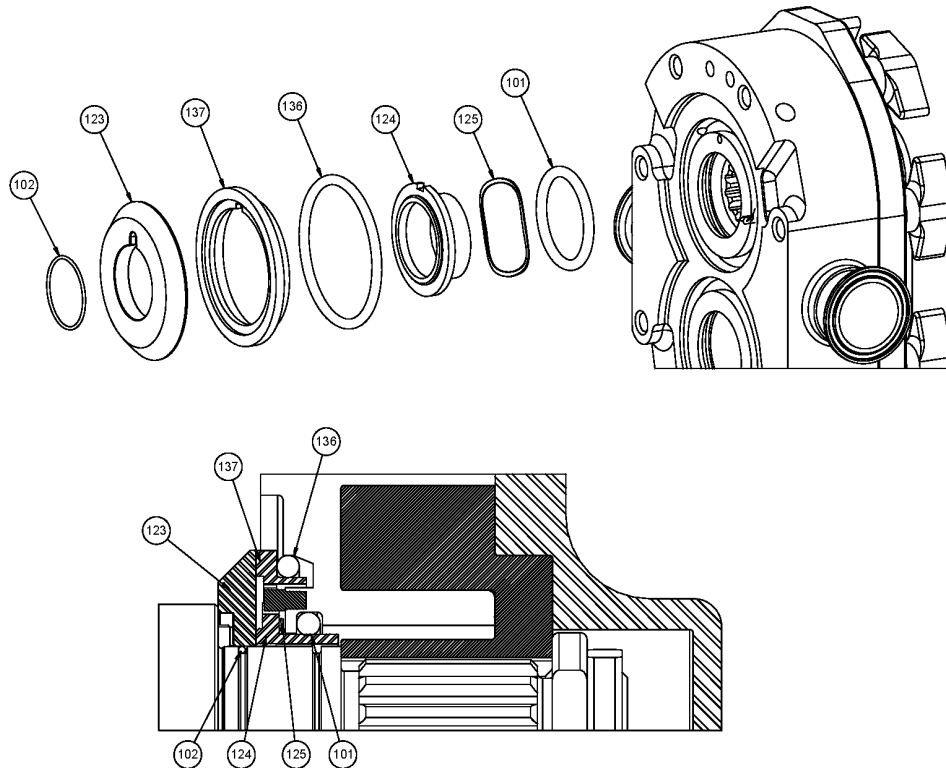
Ref #	Component Item No.	Description	Qty Per
47	<i>S75272</i>	<i>O-RING, COVER (SILICONE) - ZP1 45/60/64/130/134</i>	1
	<i>V70272</i>	<i>O-RING, COVER (VITON) - ZP1 45/60/64/130/134</i>	1
	<i>E70272</i>	<i>O-RING, COVER (EPDM) - ZP1 45/60/64/130/134</i>	1
48	P1CVRCD0002S00	COVER - ZP1 60/64/130/134	1
	<i>P1CVRCD0002J10</i>	<i>COVER, JACKETED - ZP1 60/64/130/134</i>	1
49	P1GX105852	WING NUT - ZP1 & ZP2 45/60/64/130/134	8
	<i>P1SX108371</i>	<i>COVER HEX NUT - ZP1 & ZP2 45/60/64/130/134</i>	8
62	P1SX070SPATE	BEARING RETAINER SPLASH PLATE - ZP1 45/60/64/130/134	2
900	P1GXAD0096001	PICK,COMBO,O-RING ZP1 ZP2	1
901	P1GX000140003	OIL,460FG,MAGNAPLT,1GAL ZP	1
902	P1GX000140002	GREASE,HALO GUARD,14OZ TUBE ZP	1
903	P1GXRTVSEAL	SILICONE,DOW,732,30Z ZP1 ZP2	1
904	P1GX109897	WRENCH,60-134,RTR NUT ZP1	1



Single Mechanical Seal

Optional Items Shown in *ITALICS*

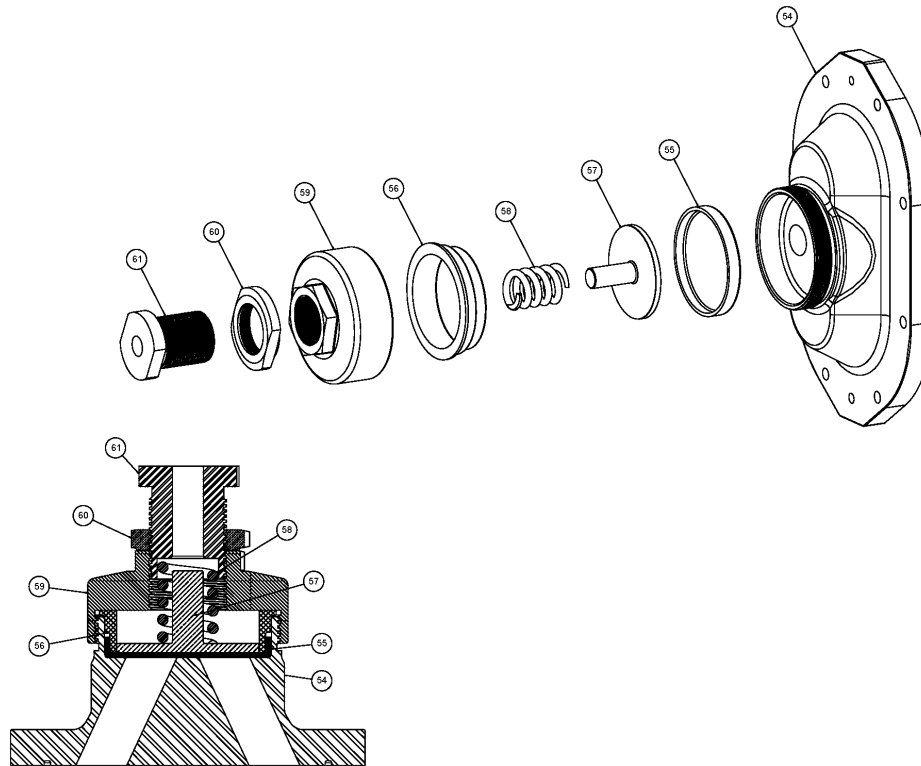
Ref #	Component Item No.	Description	Qty Per
101	N70331	O-RING, BODY (BUNA) - ZP1 60/64/130/134	2
	<i>E70331</i>	<i>O-RING, BODY (EPDM) - ZP1 60/64/130/134</i>	2
	<i>V70331</i>	<i>O-RING, BODY (VITON) - ZP1 60/64/130/134</i>	2
	<i>S75331</i>	<i>O-RING, BODY (SILICONE) - ZP1 60/64/130/134</i>	2
102	N70131	O-RING, SHAFT (BUNA) - ZP1 60/64/130/134	2
	<i>E70131</i>	<i>O-RING, SHAFT (EPDM) - ZP1 60/64/130/134</i>	2
	<i>V70131</i>	<i>O-RING, SHAFT (VITON) - ZP1 60/64/130/134</i>	2
	<i>S75131</i>	<i>O-RING, SHAFT (SILICONE) - ZP1 60/64/130/134</i>	2
123	P1GS060014009	SEAL SEAT (C) ZP1 60/64/130/134	2
	<i>P1GS060014002</i>	<i>SEAL SEAT (K) ZP1 60/64/130/134</i>	2
	<i>P1GS060014001</i>	<i>SEAL SEAT (CO) ZP1 60/64/130/134</i>	2
124	P1GS060306007	SEAL INNER (N) ZP1 60/64/130/134	2
	<i>P1GS40642</i>	<i>SEAL INNER (K) ZP1 60/64/130/134</i>	2
	<i>P1GS060306009</i>	<i>SEAL INNER (C) ZP1 60/64/130/134</i>	2
	<i>P1GS060306002</i>	<i>SEAL SEAT (CO) ZP1 60/64/130/134</i>	2
125	P1GS060304000	INNER SEAL WAVE SPRING - ZP1 60/64/130/134	2



Double Mechanical Seal

Optional Items Shown in ITALICS

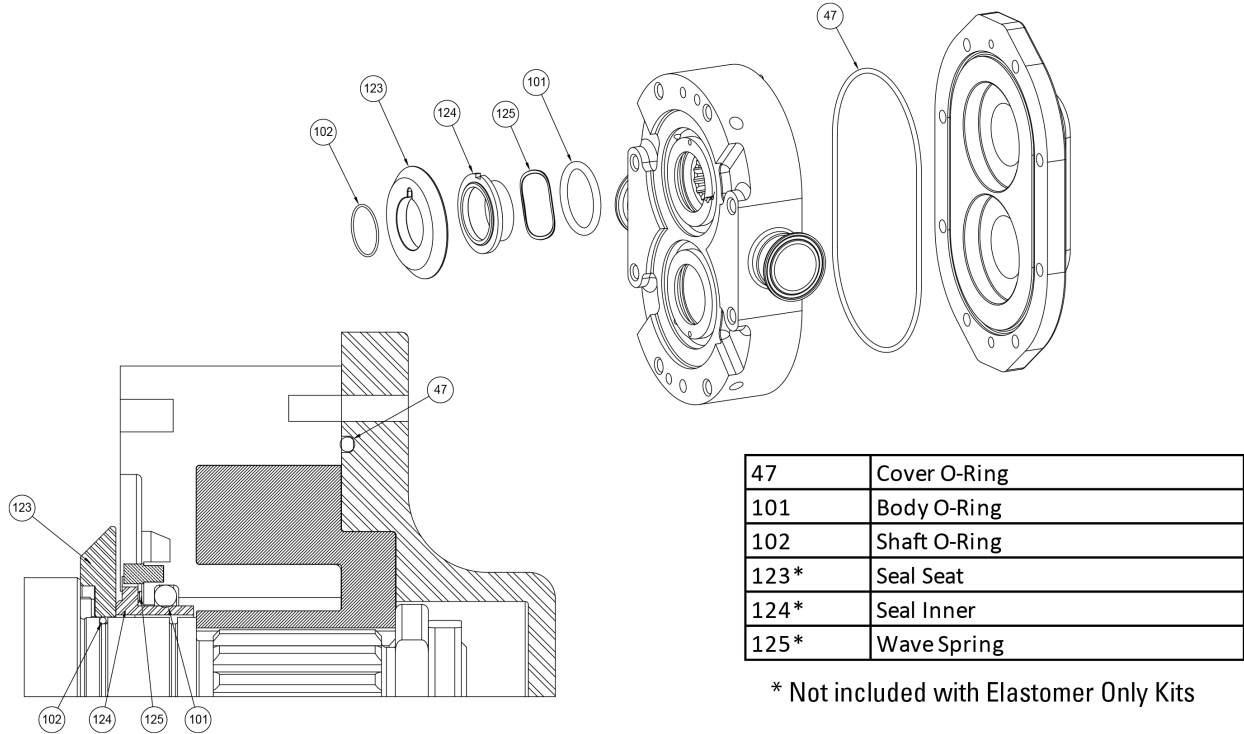
Ref #	Component Item No.	Description	Qty Per
101	N70331	O-RING, BODY (BUNA) - ZP1 60/64/130/134	2
	<i>E70331</i>	<i>O-RING, BODY (EPDM) - ZP1 60/64/130/134</i>	2
	<i>V70331</i>	<i>O-RING, BODY (VITON) - ZP1 60/64/130/134</i>	2
	<i>S75331</i>	<i>O-RING, BODY (SILICONE) - ZP1 60/64/130/134</i>	2
102	N70131	O-RING, SHAFT (BUNA) - ZP1 60/64/130/134	2
	<i>E70131</i>	<i>O-RING, SHAFT (EPDM) - ZP1 60/64/130/134</i>	2
	<i>V70131</i>	<i>O-RING, SHAFT (VITON) - ZP1 60/64/130/134</i>	2
	<i>S75131</i>	<i>O-RING, SHAFT (SILICONE) - ZP1 60/64/130/134</i>	2
123	P1GS060014009	SEAL SEAT (C) ZP1 60/64/130/134	2
	<i>P1GS060014002</i>	<i>SEAL SEAT (K) ZP1 60/64/130/134</i>	2
	<i>P1GS060014001</i>	<i>SEAL SEAT (CO) ZP1 60/64/130/134</i>	2
124	P1GS060306007	SEAL INNER (N) ZP1 60/64/130/134	2
	<i>P1GS40642</i>	<i>SEAL INNER (K) ZP1 60/64/130/134</i>	2
	<i>P1GS060306009</i>	<i>SEAL INNER (C) ZP1 60/64/130/134</i>	2
	<i>P1GS060306002</i>	<i>SEAL SEAT (CO) ZP1 60/64/130/134</i>	2
125	P1GS060304000	INNER SEAL WAVE SPRING - ZP1 60/64/130/134	2
136	N50338	O-RING, OUTER SEAL (BUNA) - ZP1 60/64/130/134	2
	<i>E50338</i>	<i>O-RING, OUTER SEAL (EPDM) - ZP1 60/64/130/134</i>	2
	<i>V50338</i>	<i>O-RING, OUTER SEAL (VITON) - ZP1 60/64/130/134</i>	2
137	P1GS060206007	OUTER SEAL (N) ZP1 60/64/130/134	2
	<i>P1GS060206002</i>	<i>OUTER SEAL (CO) ZP1 60/64/130/134</i>	2



Pressure Relief Cover

Optional Items Shown in ITALICS

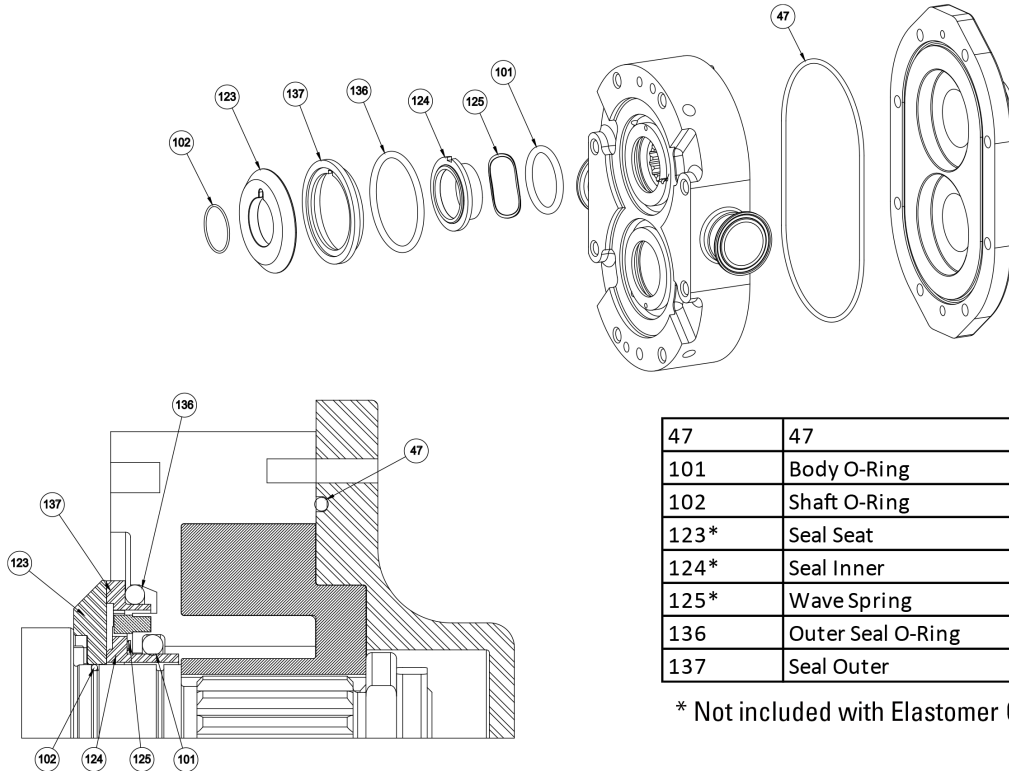
Ref #	Component Item No.	Description	Qty Per
54	P1CVRCD0002VS0	VENTED FRONT COVER, ZP1 - 60/64/130/134	1
55	P1GXCD0078000	RUBBER DIAPHRAGM, BUNA, ZP1 & ZP2 & ZP3 - 60/64/130/134	1
	<i>P1GXCD0078E00</i>	<i>RUBBER DIAPHRAGM, EPDM, ZP1 & ZP2 & ZP3 - 60/64/130/134</i>	<i>1</i>
	<i>P1GXCD0078V00</i>	<i>RUBBER DIAPHRAGM, VITON, ZP1 & ZP2 & ZP3 - 60/64/130/134</i>	<i>1</i>
56	P1SXCD0077000	DIAPHRAGM BUSHING, ZP1 & ZP2 & ZP3 - 60/64/130/134	1
57	P1SX113397	SPRING PLUNGER, ZP1 & ZP2 & ZP3 - 60/64/130/134	1
58	P1SX113523	SPRING, MEDIUM, (LESS THAN 150 PSI), ZP1 & ZP2 & ZP3 - 60/64/130/134	1
	<i>P1SX113400</i>	<i>SPRING, HIGH, (MORE THAN 150 PSI), ZP1 & ZP2 & ZP3 - 60/64/130/134</i>	<i>1</i>
59	P1SX113398	COVER NUT, ZP1 & ZP2 & ZP3 - 60/64/130/134	1
60	P1SXGD0074000	LOCKNUT, ZP1 & ZP2 & ZP3 - 60/64/130/134/180/184/220/224	1
61	P1SX113657	ADJUSTING SCREW, ZP1 & ZP2 & ZP3 - 60/64/130/134/180/184/220/224	1



Single Mechanical Seal Kit

Optional Items Shown in ITALICS

Ref #	Component Item No.	Description	Qty Per
1	P1GX060000-N	SEAL KIT, SGL MECH, ELASTOMERS ONLY, BUNA - ZP1 60/64/130/134	1
	<i>P1GX060000-E</i>	<i>SEAL KIT, SGL MECH, ELASTOMERS ONLY, EPDM - ZP1 60/64/130/134</i>	<i>1</i>
	<i>P1GX060000-V</i>	<i>SEAL KIT, SGL MECH, ELASTOMERS ONLY, VITON - ZP1 60/64/130/134</i>	<i>1</i>
2	P1GS060000-N	SEAL KIT, SGL MECH, SC/CA, BUNA - ZP1 60/64/130/134	1
	<i>P1GS060000-E</i>	<i>SEAL KIT, SGL MECH, SC/CA, EPDM - ZP1 60/64/130/134</i>	<i>1</i>
	<i>P1GS060000-V</i>	<i>SEAL KIT, SGL MECH, SC/CA, VITON - ZP1 60/64/130/134</i>	<i>1</i>
3	P1GS060020-N	SEAL KIT, SGL MECH, CE/CA, BUNA - ZP1 60/64/130/134	1
	<i>P1GS060020-E</i>	<i>SEAL KIT, SGL MECH, CE/CA, EPDM - ZP1 60/64/130/134</i>	<i>1</i>
	<i>P1GS060020-V</i>	<i>SEAL KIT, SGL MECH, CE/CA, VITON - ZP1 60/64/130/134</i>	<i>1</i>
4	<i>P1GS060030-E</i>	<i>SEAL KIT, SGL MECH, CE/CE, EPDM - ZP1 60/64/130/134</i>	<i>1</i>
	<i>P1GS060030-V</i>	<i>SEAL KIT, SGL MECH, CE/CE, VITON - ZP1 60/64/130/134</i>	<i>1</i>
5	P1GS060010-N	SEAL KIT, SGL MECH, SC/SC, BUNA - ZP1 60/64/130/134	1
	<i>P1GS060010-E</i>	<i>SEAL KIT, SGL MECH, SC/SC, EPDM - ZP1 60/64/130/134</i>	<i>1</i>
	<i>P1GS060010-V</i>	<i>SEAL KIT, SGL MECH, SC/SC, VITON - ZP1 60/64/130/134</i>	<i>1</i>



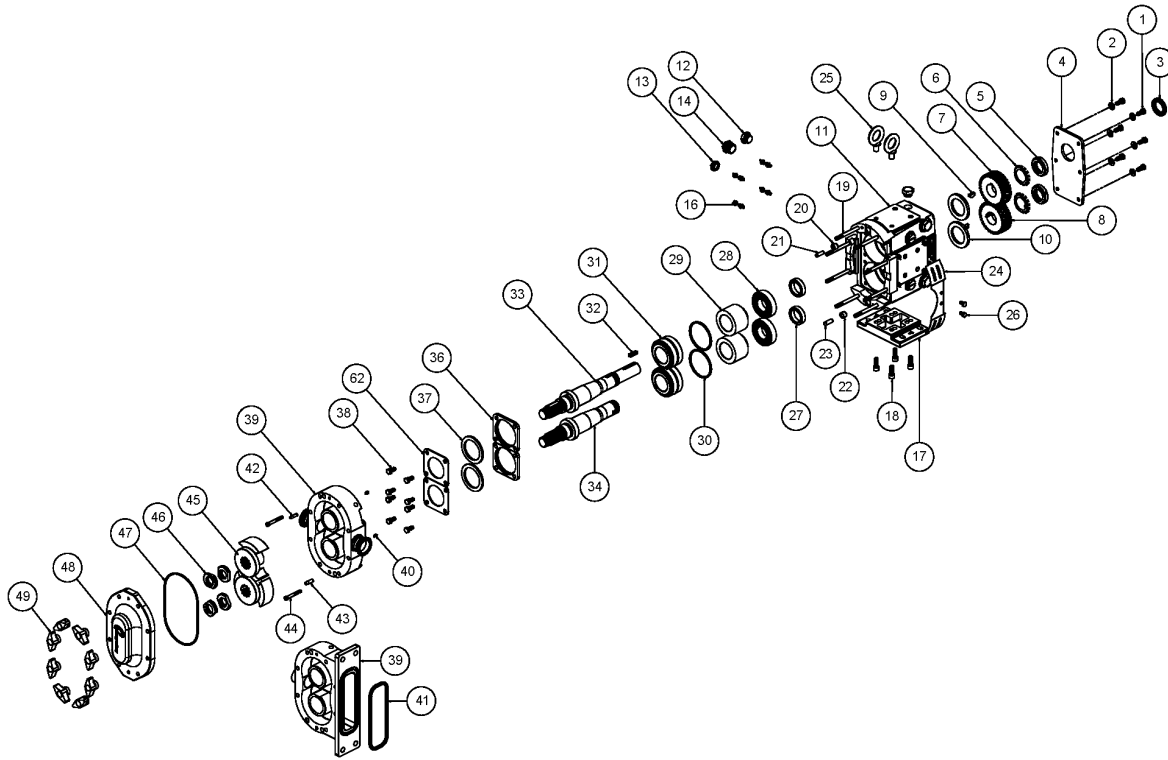
47	47
101	Body O-Ring
102	Shaft O-Ring
123*	Seal Seat
124*	Seal Inner
125*	Wave Spring
136	Outer Seal O-Ring
137	Seal Outer

* Not included with Elastomer Only Kits

Double Mechanical Seal Kit

Optional Items Shown in ITALICS

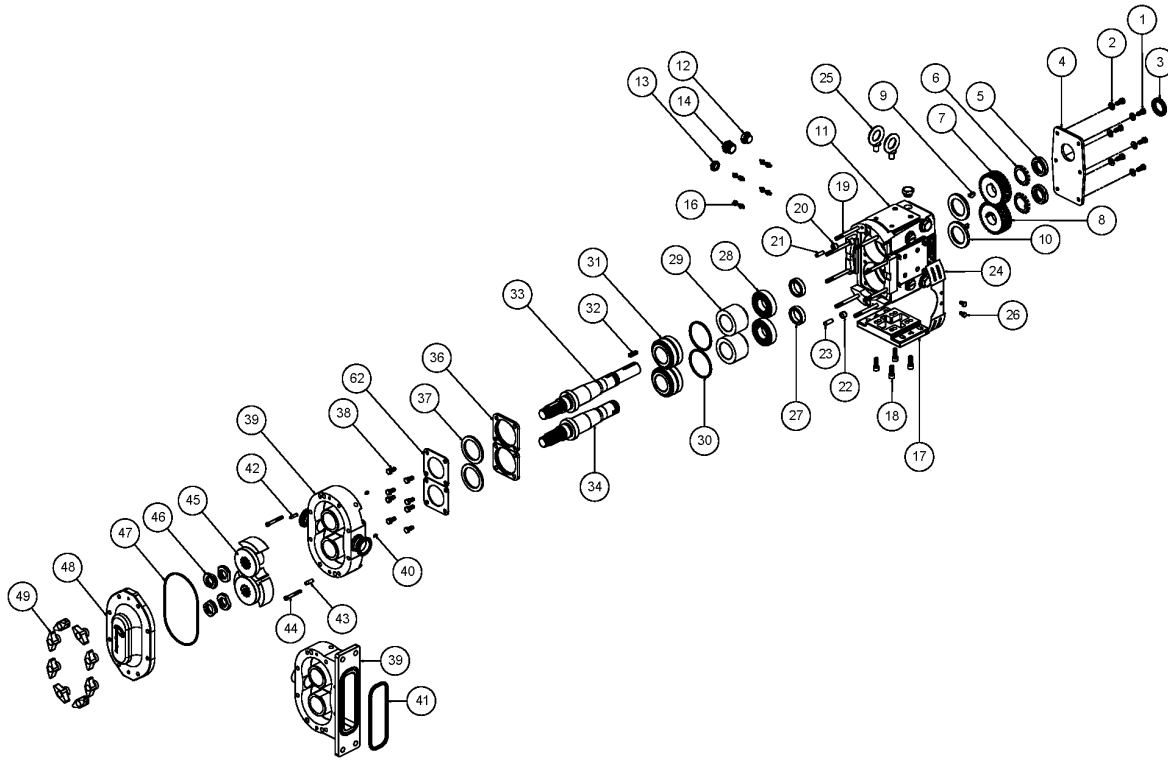
Ref #	Component Item No.	Description	Qty Per
1	P1GX060200-N	SEAL KIT, DBL MECH, ELASTOMERS ONLY, BUNA - ZP1 60/64/130/134	1
	<i>P1GX060200-E</i>	<i>SEAL KIT, DBL MECH, ELASTOMERS ONLY, EPDM - ZP1 60/64/130/134</i>	<i>1</i>
	<i>P1GX060200-V</i>	<i>SEAL KIT, DBL MECH, ELASTOMERS ONLY, VITON - ZP1 60/64/130/134</i>	<i>1</i>
2	P1GS060200-N	SEAL KIT, DBL MECH, SC/CA/CA, BUNA - ZP1 60/64/130/134	1
	<i>P1GS060200-E</i>	<i>SEAL KIT, DBL MECH, SC/CA/CA, EPDM - ZP1 60/64/130/134</i>	<i>1</i>
	<i>P1GS060200-V</i>	<i>SEAL KIT, DBL MECH, SC/CA/CA, VITON - ZP1 60/64/130/134</i>	<i>1</i>
3	P1GS060220-N	SEAL KIT, DBL MECH, CE/CA/CA, BUNA - ZP1 60/64/130/134	1
	<i>P1GS060220-E</i>	<i>SEAL KIT, DBL MECH, CE/CA/CA, EPDM - ZP1 60/64/130/134</i>	<i>1</i>
	<i>P1GS060220-V</i>	<i>SEAL KIT, DBL MECH, CE/CA/CA, VITON - ZP1 60/64/130/134</i>	<i>1</i>
4	P1GS060230-N	SEAL KIT, DBL MECH, CE/CE/CA, BUNA - ZP1 60/64/130/134	1
5	P1GS060210-N	SEAL KIT, DBL MECH, SC/SC/CA, BUNA - ZP1 60/64/130/134	1
	<i>P1GS060210-E</i>	<i>SEAL KIT, DBL MECH, SC/SC/CA, EPDM - ZP1 60/64/130/134</i>	<i>1</i>
	<i>P1GS060210-V</i>	<i>SEAL KIT, DBL MECH, SC/SC/CA, VITON - ZP1 60/64/130/134</i>	<i>1</i>



Exploded View

Optional Items Shown in ITALICS

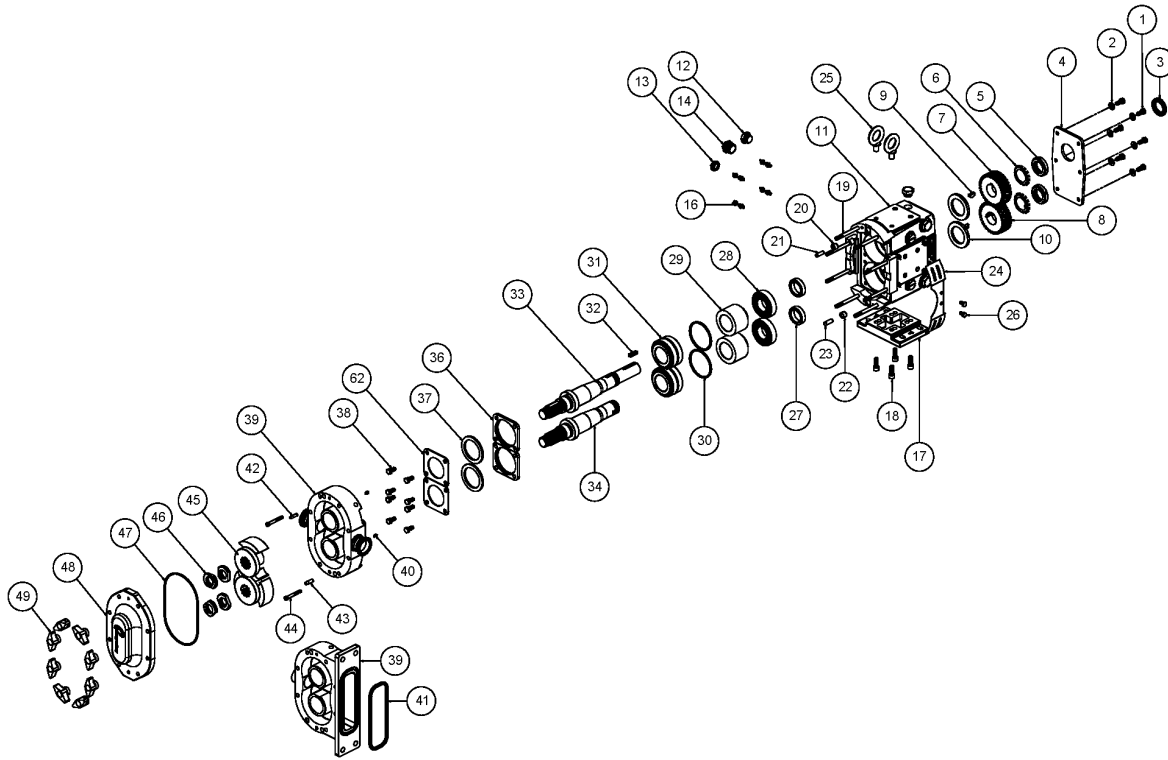
Ref #	Component Item No.	Description	Qty Per
1	P1GX30-50	GEAR CASE COVER BOLT - 3/8-16 X 3/4 HHCS (18-8 SS)	6
2	P1GX43-189	GEAR CASE COVER WASHER - 3/8 FLAT WASHER (18-8 SS)	6
3	P1GX000030012-ND	OIL SEAL, PTFE, GEAR CASE COVER - ZP1 & ZP2 45/60/64/130/134	1
	<i>P1GX000030012</i>	<i>OIL SEAL, GEAR CASE COVER - ZP1 & ZP2 45/60/64/130/134</i>	1
4	P1SX070106000	GEAR CASE COVER, SS - ZP1 & ZP2 45/60/64/130/134	1
5	P1GXSTD236009	GEAR LOCKNUT ZP1 & ZP2 45/60/64/130/134	2
6	P1GXSTD136009	GEAR LOCKWASHER ZP1 & ZP2 45/60/64/130/134	2
7	P1GX060007001	GEAR DRIVE SHAFT ZP1 & ZP2 45/60/64/130/134	1
8	P1GX060007002	GEAR SHORT SHAFT ZP1 & ZP2 45/60/64/130/134	1
9	P1GX060037000	GEAR KEY - ZP1 & ZP2 45/60/64/130/134	2
10	P1GX000030011	OIL SEAL REAR - ZP1 & ZP2 45/60/64/130/134	2
11	P1SX070005000	GEAR CASE, SS - ZP1 & ZP2 45/60/64/130/134	1
12	P1GX115798	PLUG,HEX,20M X1.5,W/NBR SEAL	5
13	P1GX115799	GAUGE,OIL,LVL,INDIC,M-20X1.5	1
14	P1GX70PLUG-SS	CLEAN OUT PLUG, SS - ZP1 & ZP2 45/60/64/130/134	4
	<i>P1GX70PLUG</i>	<i>CLEAN OUT PLUG, YELLOW - ZP1 & ZP2 45/60/64/130/134</i>	4
16	P1GXBD0092001	GREASE FITTING, THREADED 1/4"-28 TAPER, SS	8
17	P1SX070110000	GEAR CASE BASE, SS - ZP1 & ZP2 45/60/64/130/134	1
18	P1GX60SHCSGCB	SHCS, G. CASE BASE, (18-8 SS) 1/2-13 X 1.5" ZP1 & ZP2 60/130	4
19	P1GX108843	STUD, ZP1 60	8
	<i>P1GX108846</i>	<i>STUD, JACKETED COVER, ZP1 60</i>	8
20	P1GXCD0116000	UPPER DOWEL BUSHING - ZP1 & ZP2 45/60/64/130/134/180/220/224	1
21	P1GX124584	DOWEL PIN - ZP1 & ZP2 45/60/64/130/134	1
22	P1GXCD0116100	LOWER DOWEL BUSHING - ZP1 & ZP2 45/60/64/130/134/180/220/224	1
23	P1GX124586	DOWEL PIN - ZP1 & ZP2 45/60/64/130/134	1
24	P1SX070CEGUARD	GUARD,45-134,(CE),GC,SS	2
25	P1GXEYEBOLT-SS	EYE BOLT,60-224,SS	2



Exploded View

Optional Items Shown in ITALICS

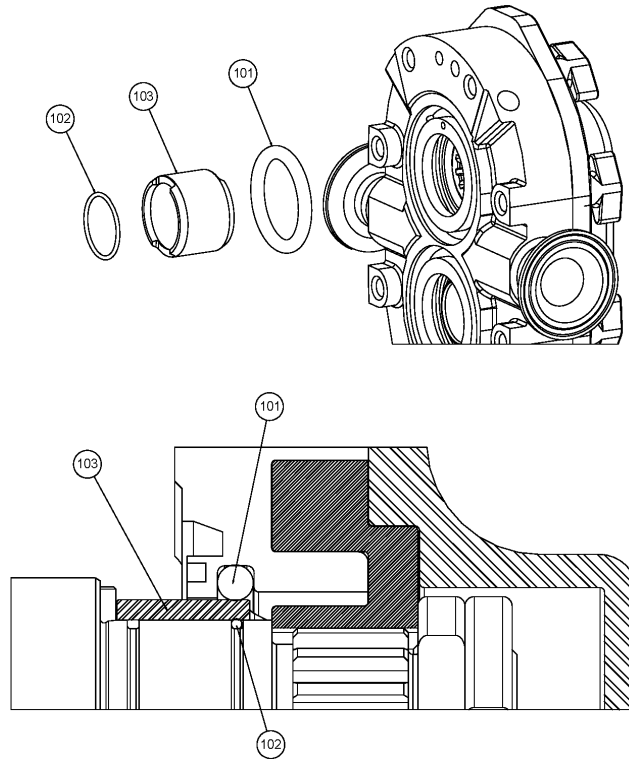
Ref #	Component Item No.	Description	Qty Per
26	P1GX000CENAIL	DRIVENAIL,ZP,GEAR CASE GUARDS	4
27	P1GX107187	GEAR TO REAR BEARING SPACER - ZP1 & ZP2 45/60/64/130/134	2
28	P1GX107186	REAR BEARING - ZP1 & ZP2 45/60/64/130/134	2
29	P1GX060055003	BEARING SPACER - ZP1 & ZP2 45/60/64/130/134	2
30	P1GX117891	SHIM KIT - ZP1 & ZP2 45/60/64/130/134	2
31	P1GX060036000	FRONT BEARING - ZP1 & ZP2 45/60/64/130/134	2
32	P1GX000037003	DRIVE KEY, 3/8" SQ. X 1-5/8" - ZP1 & ZP2 45/60/64/130/134	1
33	P1SX060008001	DRIVE SHAFT (17-4PH) - ZP1 60/64	1
34	P1SX060009001	SHORT SHAFT (17-4PH) - ZP1 60/64	1
36	P1SX121828	BEARING RETAINER, NEW STYLE 3A - ZP1 & ZP2 60/64/130/134	2
37	P1GX000030009-ND	GREASE SEAL, PTFE, FRONT BEARING RET. - ZP1 45/60/64/130/134	2
	<i>P1GX000030009</i>	<i>GREASE SEAL FRONT BEARING RET. - ZP1 45/60/64/130/134</i>	2
38	GX5077200	CAPSCRW,HX,3/8-16X1-1/4,18-8SS HX HD	8
39	P1BDY060001000	BODY - ZP1 60	1
	<i>P1BDY060001F00</i>	<i>BODY - ZP1 60 - FLUSHED</i>	1
40	P1GX223126000	SEAL STOP PIN - ZP1 60/64/130/134/220/224	2
42	P1GX124582	DOWEL PIN - ZP1 & ZP2 45/60/64/130/134	1
43	P1GX124583	DOWEL PIN - ZP1 & ZP2 45/60/64/130/134	1
44	P1GX30-319	CAPSCRW,SH,5/16-18X3,18-8SS SCKT HD	2
45	P1RTB060010000	ROTOR TWIN BLADE - ALLOY 88 - ZP1 60	2
	<i>P1RTB06001000H</i>	<i>ROTOR TWIN BLADE - ALLOY 88 - ZP1 60 - HOT CLEARANCE</i>	2
	<i>P1RTB0600100HC</i>	<i>ROTOR TWIN BLADE - ALLOY 88 - ZP1 60 - HOT CHOCOLATE</i>	2
	<i>P1RTB060010200</i>	<i>ROTOR TWIN BLADE - 316L - ZP1 60</i>	2
	<i>P1RSW060010010</i>	<i>ROTOR SINGLE WING - ALLOY 88 - ZP1 60 - STRAIGHT</i>	1
	<i>P1RSW060010090</i>	<i>ROTOR SINGLE WING - ALLOY 88 - ZP1 60 - 90°</i>	1
46	P1SX060052001	ROTOR JAM NUT - ZP1 60/64/130/134	4
47	N70272	O-RING, COVER (BUNA) - ZP1 45/60/64/130/134	1



Exploded View

Optional Items Shown in ITALICS

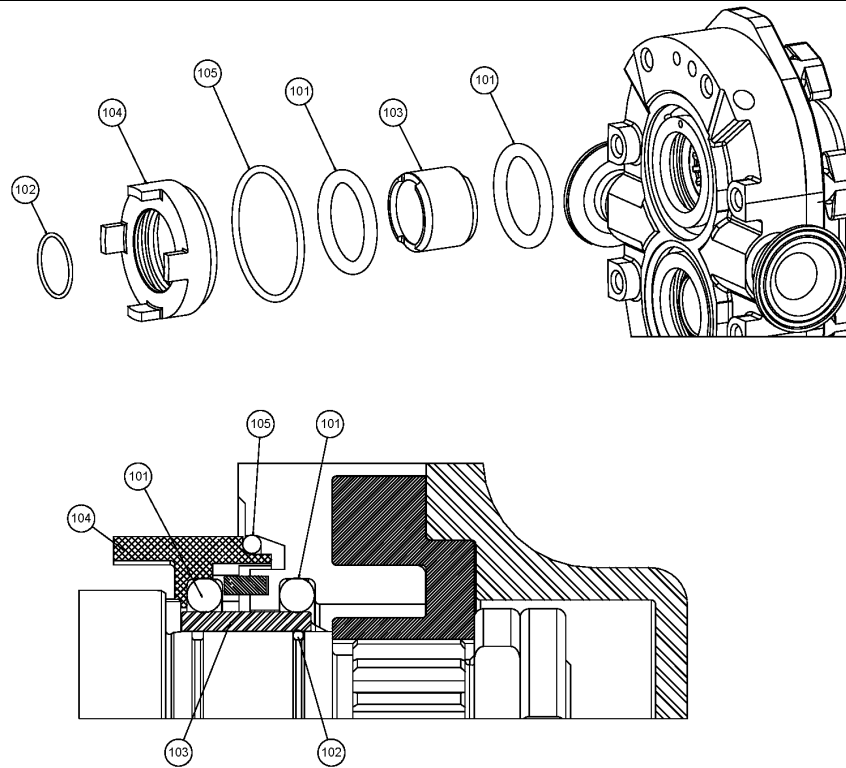
Ref #	Component Item No.	Description	Qty Per
47	<i>S75272</i>	<i>O-RING, COVER (SILICONE) - ZP1 45/60/64/130/134</i>	1
	<i>V70272</i>	<i>O-RING, COVER (VITON) - ZP1 45/60/64/130/134</i>	1
	<i>E70272</i>	<i>O-RING, COVER (EPDM) - ZP1 45/60/64/130/134</i>	1
48	P1CVRCD0002S00	COVER - ZP1 60/64/130/134	1
	<i>P1CVRCD0002J10</i>	<i>COVER, JACKETED - ZP1 60/64/130/134</i>	1
49	P1GX105852	WING NUT - ZP1 & ZP2 45/60/64/130/134	8
	<i>P1SX108371</i>	<i>COVER HEX NUT - ZP1 & ZP2 45/60/64/130/134</i>	8
62	P1SX070SPATE	BEARING RETAINER SPLASH PLATE - ZP1 45/60/64/130/134	2
900	P1GXAD0096001	PICK,COMBO,O-RING ZP1 ZP2	1
901	P1GX000140003	OIL,460FG,MAGNAPLT,1GAL ZP	1
902	P1GX000140002	GREASE,HALO GUARD,14OZ TUBE ZP	1
903	P1GXRTVSEAL	SILICONE,DOW,732,30Z ZP1 ZP2	1
904	P1GX109897	WRENCH,60-134,RTR NUT ZP1	1



Single O-Ring Seal

Optional Items Shown in ITALICS

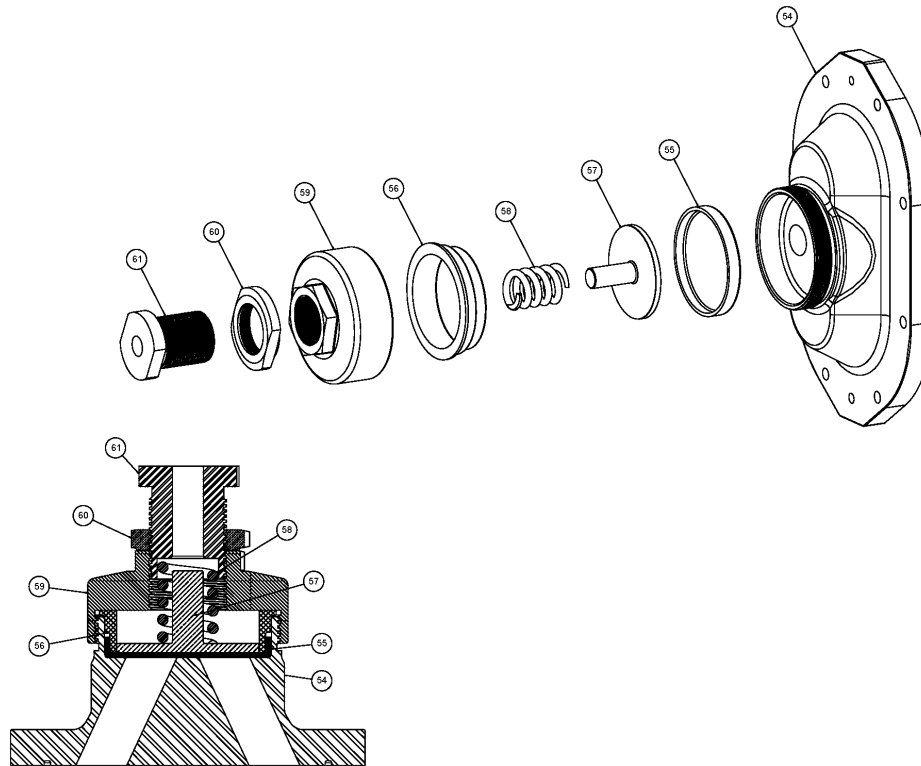
Ref #	Component Item No.	Description	Qty Per
101	N70331	O-RING, BODY (BUNA) - ZP1 60/64/130/134	2
	<i>E70331</i>	<i>O-RING, BODY (EPDM) - ZP1 60/64/130/134</i>	2
	<i>V70331</i>	<i>O-RING, BODY (VITON) - ZP1 60/64/130/134</i>	2
	<i>S75331</i>	<i>O-RING, BODY (SILICONE) - ZP1 60/64/130/134</i>	2
102	N70131	O-RING, SHAFT (BUNA) - ZP1 60/64/130/134	2
	<i>E70131</i>	<i>O-RING, SHAFT (EPDM) - ZP1 60/64/130/134</i>	2
	<i>V70131</i>	<i>O-RING, SHAFT (VITON) - ZP1 60/64/130/134</i>	2
	<i>S75131</i>	<i>O-RING, SHAFT (SILICONE) - ZP1 60/64/130/134</i>	2
103	P1SX060098001	SLEEVE (17-4PH H900) ZP1 60/64/130/134 - SLOTTED	2
	<i>P1SX060098004</i>	<i>ZIRCONIA SLEEVE - ZP1 60/64/130/134</i>	2
	<i>P1SX060098002</i>	<i>CHROME OXIDE SLEEVE (316L) - ZP1 60/64/130/134</i>	2



Double O-Ring Seal

Optional Items Shown in ITALICS

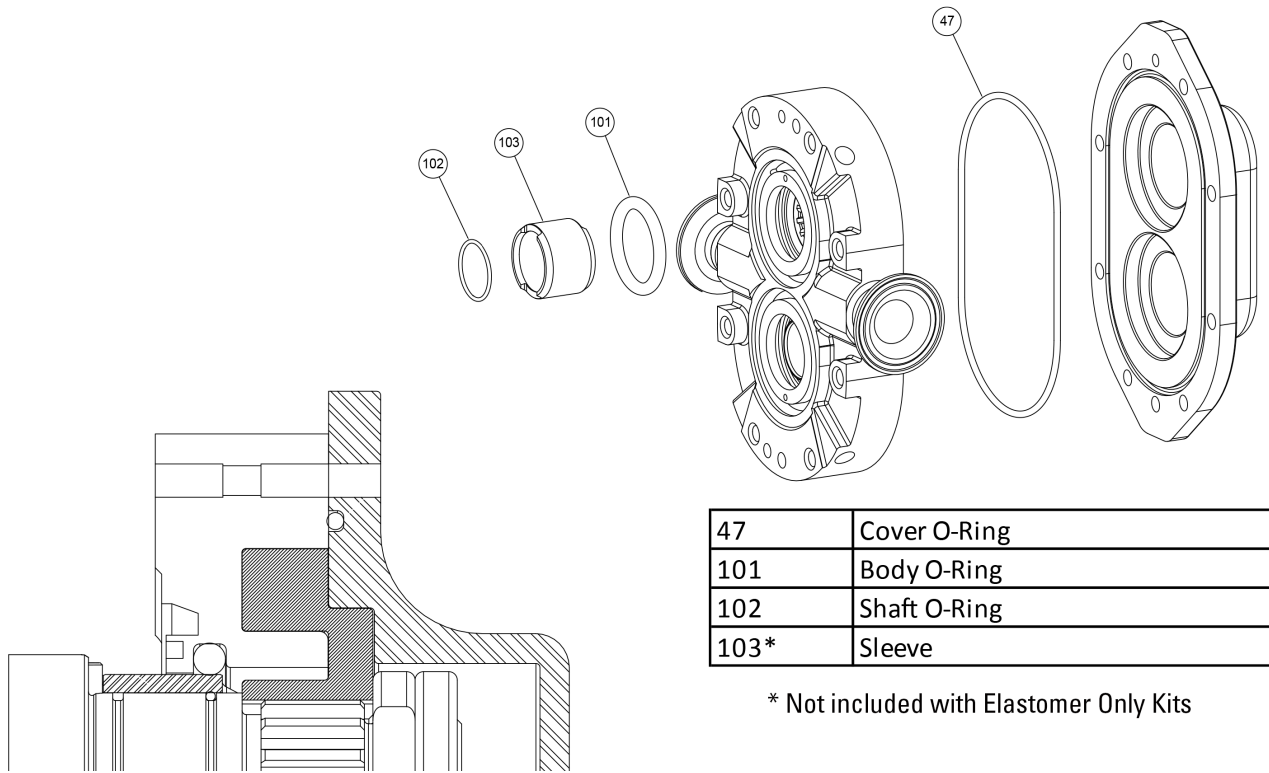
Ref #	Component Item No.	Description	Qty Per
101	N70331	O-RING, BODY (BUNA) - ZP1 60/64/130/134	4
	<i>E70331</i>	<i>O-RING, BODY (EPDM) - ZP1 60/64/130/134</i>	4
	<i>V70331</i>	<i>O-RING, BODY (VITON) - ZP1 60/64/130/134</i>	4
	<i>S75331</i>	<i>O-RING, BODY (SILICONE) - ZP1 60/64/130/134</i>	4
102	N70131	O-RING, SHAFT (BUNA) - ZP1 60/64/130/134	2
	<i>E70131</i>	<i>O-RING, SHAFT (EPDM) - ZP1 60/64/130/134</i>	2
	<i>V70131</i>	<i>O-RING, SHAFT (VITON) - ZP1 60/64/130/134</i>	2
	<i>S75131</i>	<i>O-RING, SHAFT (SILICONE) - ZP1 60/64/130/134</i>	2
103	P1SX060098001	SLEEVE (17-4PH H900) ZP1 60/64/130/134 - SLOTTED	2
	<i>P1SX060098004</i>	<i>ZIRCONIA SLEEVE - ZP1 60/64/130/134</i>	2
	<i>P1SX060098002</i>	<i>CHROME OXIDE SLEEVE (316L) - ZP1 60/64/130/134</i>	2
104	P1SX060034002	O-RING SEAL CARRIER, 3A NEW STYLE - ZP1 60/64/130/134	2
105	N50338	O-RING, OUTER SEAL (BUNA) - ZP1 60/64/130/134	2
	<i>E50338</i>	<i>O-RING, OUTER SEAL (EPDM) - ZP1 60/64/130/134</i>	2
	<i>V50338</i>	<i>O-RING, OUTER SEAL (VITON) - ZP1 60/64/130/134</i>	2



Pressure Relief Cover

Optional Items Shown in ITALICS

Ref #	Component Item No.	Description	Qty Per
54	P1CVRCD0002VS0	VENTED FRONT COVER, ZP1 - 60/64/130/134	1
55	P1GXCD0078000	RUBBER DIAPHRAGM, BUNA, ZP1 & ZP2 & ZP3 - 60/64/130/134	1
	<i>P1GXCD0078E00</i>	<i>RUBBER DIAPHRAGM, EPDM, ZP1 & ZP2 & ZP3 - 60/64/130/134</i>	1
	<i>P1GXCD0078V00</i>	<i>RUBBER DIAPHRAGM, VITON, ZP1 & ZP2 & ZP3 - 60/64/130/134</i>	1
56	P1SXCD0077000	DIAPHRAGM BUSHING, ZP1 & ZP2 & ZP3 - 60/64/130/134	1
57	P1SX113397	SPRING PLUNGER, ZP1 & ZP2 & ZP3 - 60/64/130/134	1
58	P1SX113523	SPRING, MEDIUM, (LESS THAN 150 PSI), ZP1 & ZP2 & ZP3 - 60/64/130/134	1
	<i>P1SX113400</i>	<i>SPRING, HIGH, (MORE THAN 150 PSI), ZP1 & ZP2 & ZP3 - 60/64/130/134</i>	1
59	P1SX113398	COVER NUT, ZP1 & ZP2 & ZP3 - 60/64/130/134	1
60	P1SXGD0074000	LOCKNUT, ZP1 & ZP2 & ZP3 - 60/64/130/134/180/184/220/224	1
61	P1SX113657	ADJUSTING SCREW, ZP1 & ZP2 & ZP3 - 60/64/130/134/180/184/220/224	1



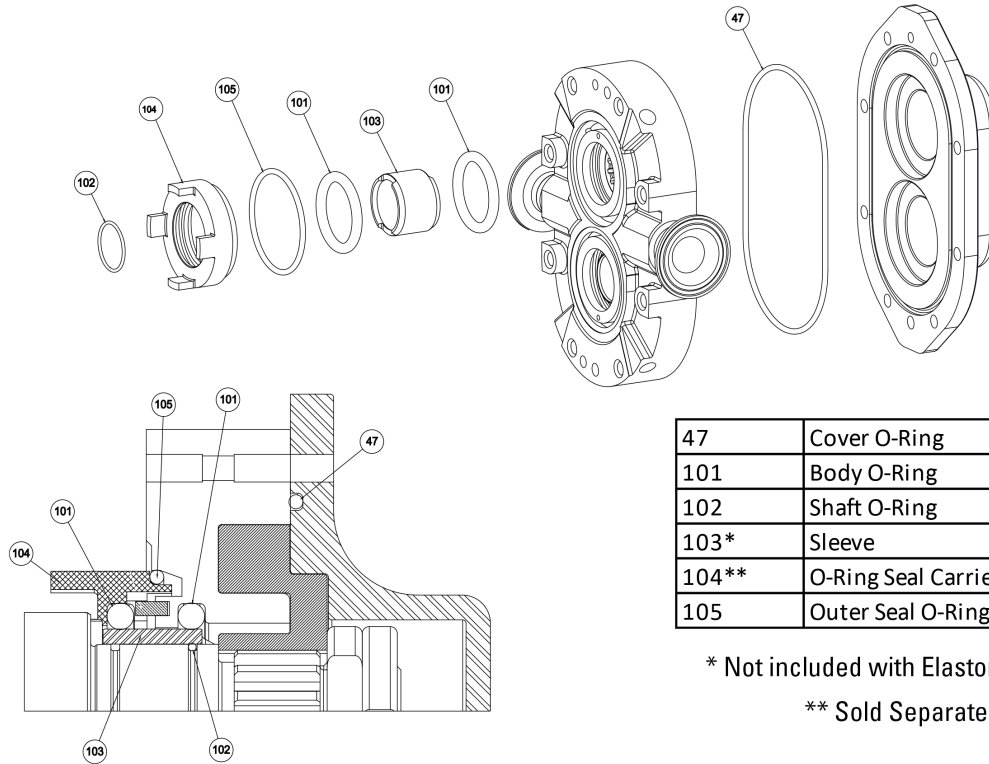
47	Cover O-Ring
101	Body O-Ring
102	Shaft O-Ring
103*	Sleeve

* Not included with Elastomer Only Kits

Single O-Ring Seal Kit

Optional Items Shown in ITALICS

Ref #	Component Item No.	Description	Qty Per
1	P1GX060000-N	SEAL KIT, SGL O-RING, ELASTOMERS ONLY, BUNA - ZP1 60/64/130/134	1
	<i>P1GX060000-E</i>	<i>SEAL KIT, SGL O-RING, ELASTOMERS ONLY, EPDM - ZP1 60/64/130/134</i>	<i>1</i>
	<i>P1GX060000-V</i>	<i>SEAL KIT, SGL O-RING, ELASTOMERS ONLY, VITON - ZP1 60/64/130/134</i>	<i>1</i>
2	P1GS06000S-N	SEAL KIT, SGL O-RING, 17-4 SS SLVS, BUNA - ZP1 60/64/130/134	1
	<i>P1GS06000S-E</i>	<i>SEAL KIT, SGL O-RING, 17-4 SS SLVS, EPDM - ZP1 60/64/130/134</i>	<i>1</i>
	<i>P1GS06000S-V</i>	<i>SEAL KIT, SGL O-RING, 17-4 SS SLVS, VITON - ZP1 60/64/130/134</i>	<i>1</i>
3	P1GS06000Z-N	SEAL KIT, SGL O-RING, ZIRCONIA SLVS, BUNA - ZP1 60/64/130/134	1
	<i>P1GS06000Z-E</i>	<i>SEAL KIT, SGL O-RING, ZIRCONIA SLVS, EPDM - ZP1 60/64/130/134</i>	<i>1</i>
	<i>P1GS06000Z-V</i>	<i>SEAL KIT, SGL O-RING, ZIRCONIA SLVS, VITON - ZP1 60/64/130/134</i>	<i>1</i>



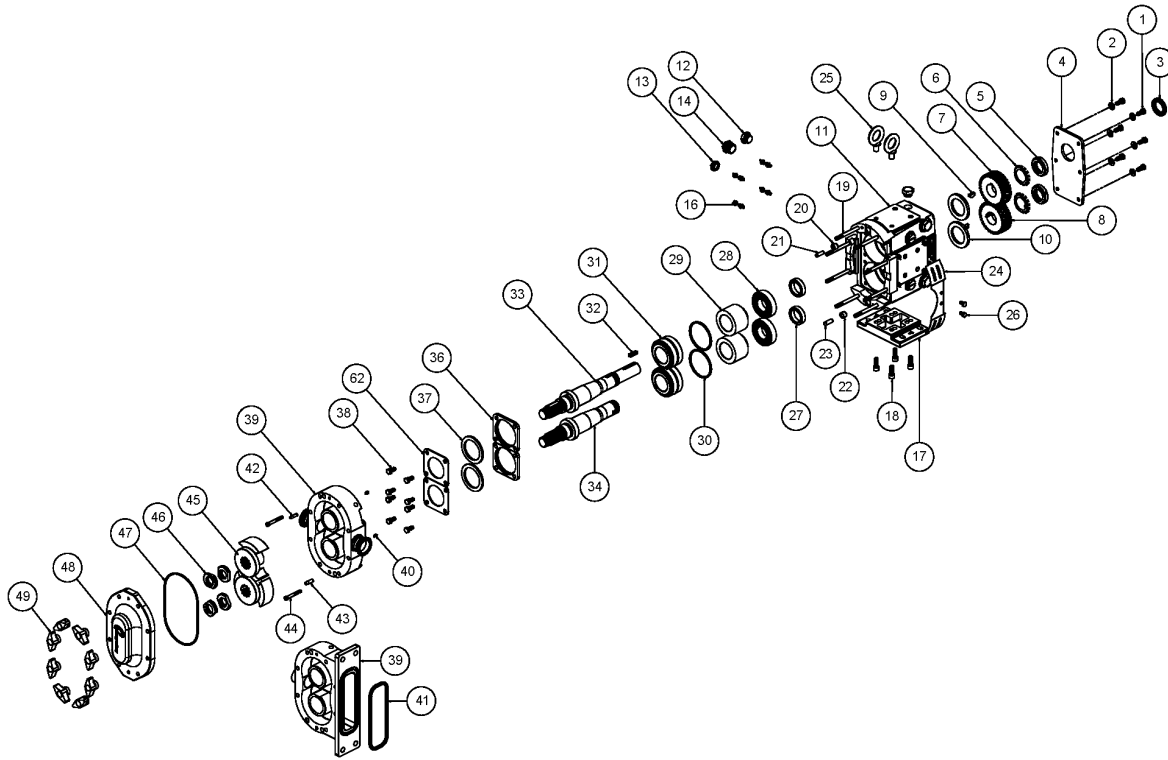
47	Cover O-Ring
101	Body O-Ring
102	Shaft O-Ring
103*	Sleeve
104**	O-Ring Seal Carrier
105	Outer Seal O-Ring

* Not included with Elastomer Only Kits
** Sold Separately

Double O-Ring Seal Kit

Optional Items Shown in ITALICS

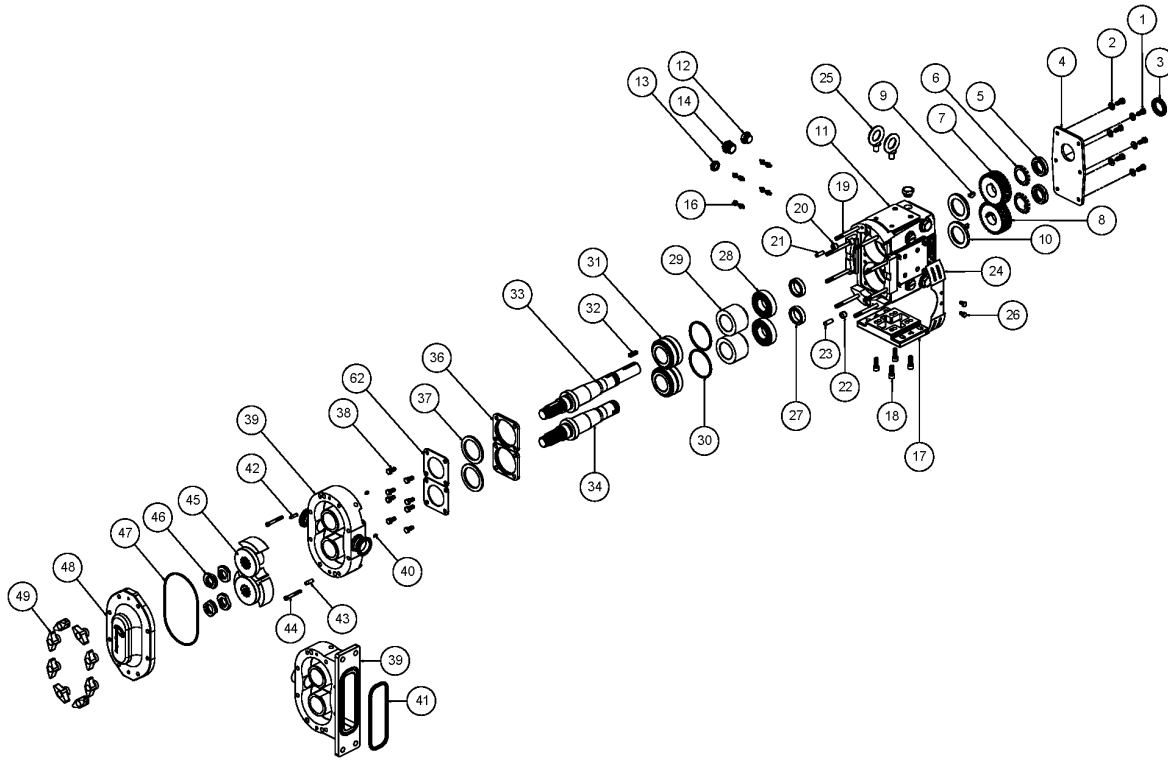
Ref #	Component Item No.	Description	Qty Per
1	P1GX060200-N	SEAL KIT, DBL O-RING, ELASTOMERS ONLY, BUNA - ZP1 60/64/130/134	1
	<i>P1GX060200-E</i>	<i>SEAL KIT, DBL O-RING, ELASTOMERS ONLY, EPDM - ZP1 60/64/130/134</i>	<i>1</i>
	<i>P1GX060200-V</i>	<i>SEAL KIT, DBL O-RING, ELASTOMERS ONLY, VITON - ZP1 60/64/130/134</i>	<i>1</i>
2	P1GS06020S-N	SEAL KIT, DBL O-RING, 17-4 SS SLVS, BUNA - ZP1 60/64/130/134	1
	<i>P1GS06020S-E</i>	<i>SEAL KIT, DBL O-RING, 17-4 SS SLVS, EPDM - ZP1 60/64/130/134</i>	<i>1</i>
	<i>P1GS06020S-V</i>	<i>SEAL KIT, DBL O-RING, 17-4 SS SLVS, VITON - ZP1 60/64/130/134</i>	<i>1</i>
3	P1GS06020Z-N	SEAL KIT, DBL O-RING, ZIRCONIA SLVS, BUNA - ZP1 60/64/130/134	1
	<i>P1GS06020Z-E</i>	<i>SEAL KIT, DBL O-RING, ZIRCONIA SLVS, EPDM - ZP1 60/64/130/134</i>	<i>1</i>
	<i>P1GS06020Z-V</i>	<i>SEAL KIT, DBL O-RING, ZIRCONIA SLVS, VITON - ZP1 60/64/130/134</i>	<i>1</i>



Exploded View

Optional Items Shown in ITALICS

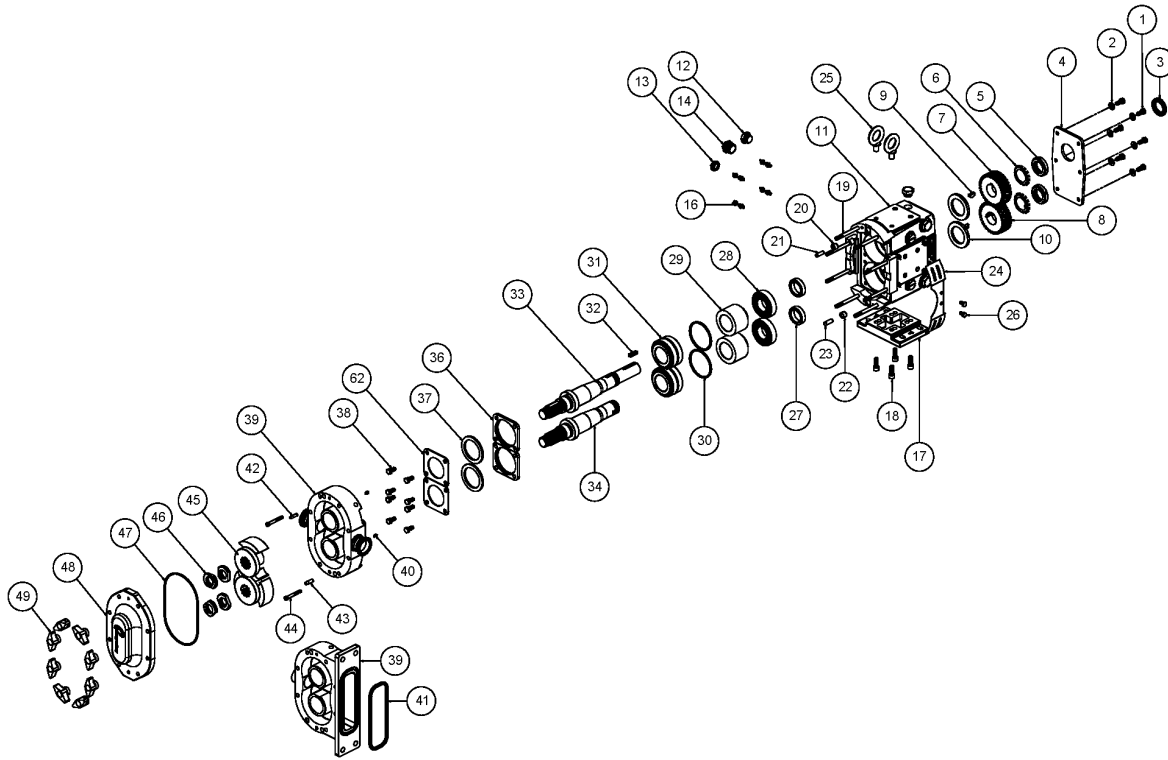
Ref #	Component Item No.	Description	Qty Per
1	P1GX060200-N	SEAL KIT, DBL MECH, ELASTOMERS ONLY, BUNA - ZP1 60/64/130/134	1
	P1GX30-50	GEAR CASE COVER BOLT - 3/8-16 X 3/4 HHCS (18-8 SS)	6
	<i>P1GX060200-E</i>	<i>SEAL KIT, DBL MECH, ELASTOMERS ONLY, EPDM - ZP1 60/64/130/134</i>	<i>1</i>
	<i>P1GX060200-V</i>	<i>SEAL KIT, DBL MECH, ELASTOMERS ONLY, VITON - ZP1 60/64/130/134</i>	<i>1</i>
2	P1GS060200-N	SEAL KIT, DBL MECH, SC/CA/CA, BUNA - ZP1 60/64/130/134	1
	P1GX43-189	GEAR CASE COVER WASHER - 3/8 FLAT WASHER (18-8 SS)	6
	<i>P1GS060200-E</i>	<i>SEAL KIT, DBL MECH, SC/CA/CA, EPDM - ZP1 60/64/130/134</i>	<i>1</i>
	<i>P1GS060200-V</i>	<i>SEAL KIT, DBL MECH, SC/CA/CA, VITON - ZP1 60/64/130/134</i>	<i>1</i>
3	P1GS060220-N	SEAL KIT, DBL MECH, CE/CA/CA, BUNA - ZP1 60/64/130/134	1
	P1GX000030012-ND	OIL SEAL, PTFE, GEAR CASE COVER - ZP1 & ZP2 45/60/64/130/134	1
	<i>P1GS060220-E</i>	<i>SEAL KIT, DBL MECH, CE/CA/CA, EPDM - ZP1 60/64/130/134</i>	<i>1</i>
	<i>P1GX000030012</i>	<i>OIL SEAL, GEAR CASE COVER - ZP1 & ZP2 45/60/64/130/134</i>	<i>1</i>
	<i>P1GS060220-V</i>	<i>SEAL KIT, DBL MECH, CE/CA/CA, VITON - ZP1 60/64/130/134</i>	<i>1</i>
4	P1GS060230-N	SEAL KIT, DBL MECH, CE/CE/CA, BUNA - ZP1 60/64/130/134	1
	P1SX070106000	GEAR CASE COVER, SS - ZP1 & ZP2 45/60/64/130/134	1
5	P1GS060210-N	SEAL KIT, DBL MECH, SC/SC/CA, BUNA - ZP1 60/64/130/134	1
	P1GXSTD236009	GEAR LOCKNUT ZP1 & ZP2 45/60/64/130/134	2
	<i>P1GS060210-E</i>	<i>SEAL KIT, DBL MECH, SC/SC/CA, EPDM - ZP1 60/64/130/134</i>	<i>1</i>
	<i>P1GS060210-V</i>	<i>SEAL KIT, DBL MECH, SC/SC/CA, VITON - ZP1 60/64/130/134</i>	<i>1</i>
6	P1GXSTD136009	GEAR LOCKWASHER ZP1 & ZP2 45/60/64/130/134	2
7	P1GX060007001	GEAR DRIVE SHAFT ZP1 & ZP2 45/60/64/130/134	1
8	P1GX060007002	GEAR SHORT SHAFT ZP1 & ZP2 45/60/64/130/134	1
9	P1GX060037000	GEAR KEY - ZP1 & ZP2 45/60/64/130/134	2
10	P1GX000030011	OIL SEAL REAR - ZP1 & ZP2 45/60/64/130/134	2
11	P1SX070005000	GEAR CASE, SS - ZP1 & ZP2 45/60/64/130/134	1
12	P1GX115798	PLUG,HEX,20M X1.5,W/NBR SEAL	5
13	P1GX115799	GAUGE,OIL,LVL,INDIC,M-20X1.5	1



Exploded View

Optional Items Shown in ITALICS

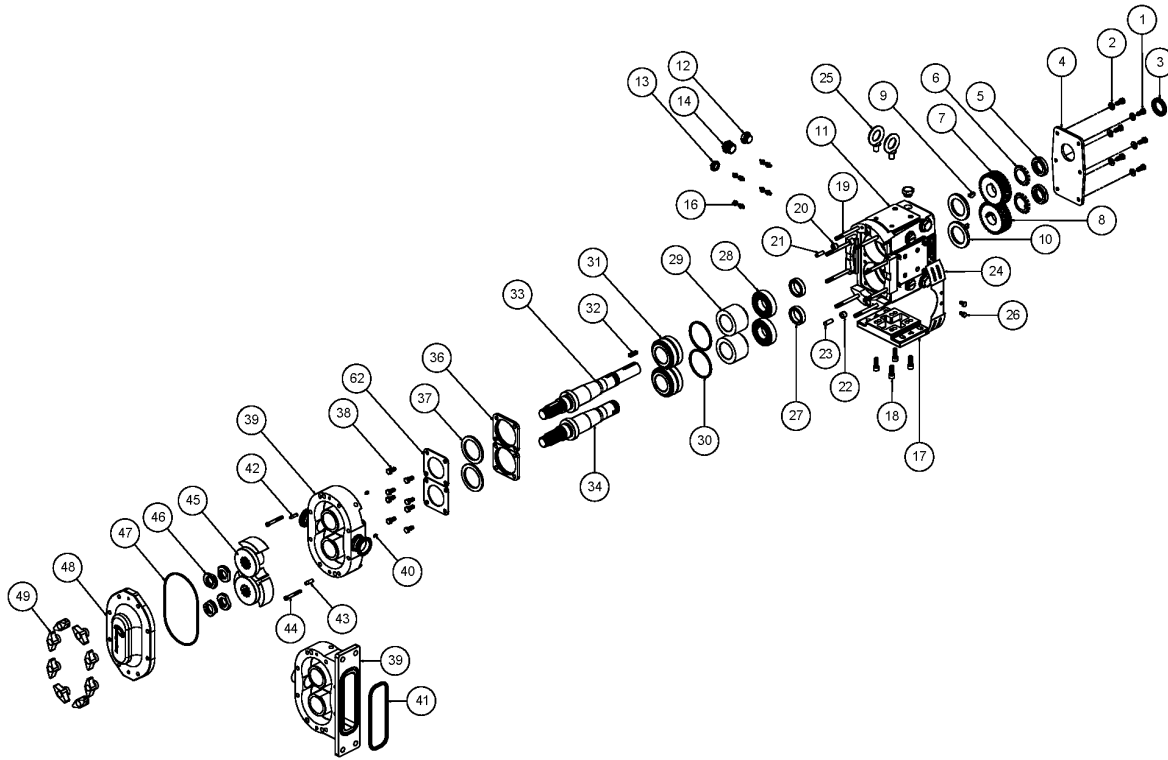
Ref #	Component Item No.	Description	Qty Per
14	P1GX70PLUG-SS	CLEAN OUT PLUG, SS - ZP1 & ZP2 45/60/64/130/134	4
	<i>P1GX70PLUG</i>	<i>CLEAN OUT PLUG, YELLOW - ZP1 & ZP2 45/60/64/130/134</i>	4
16	P1GXBD0092001	GREASE FITTING, THREADED 1/4"-28 TAPER, SS	8
17	P1SX070110000	GEAR CASE BASE, SS - ZP1 & ZP2 45/60/64/130/134	1
18	P1GX60SHCSGCB	SHCS, G. CASE BASE, (18-8 SS) 1/2-13 X 1.5" ZP1 & ZP2 60/130	4
19	P1GX0C1050000	STUD, SHORT, ZP1 64	2
	P1GX108843	STUD, ZP1 64	6
	<i>P1GX108846</i>	<i>STUD, JACKETED COVER, ZP1 64</i>	6
	<i>P1GX35556</i>	<i>STUD, SHORT, JACKETED COVER, ZP1 64</i>	2
20	P1GXCD0116000	UPPER DOWEL BUSHING - ZP1 & ZP2 45/60/64/130/134/180/220/224	1
21	P1GX124584	DOWEL PIN - ZP1 & ZP2 45/60/64/130/134	1
22	P1GXCD0116100	LOWER DOWEL BUSHING - ZP1 & ZP2 45/60/64/130/134/180/220/224	1
23	P1GX124586	DOWEL PIN - ZP1 & ZP2 45/60/64/130/134	1
24	P1SX070CEGUARD	GUARD,45-134,(CE),GC,SS	2
25	P1GXEYEBOLT-SS	EYE BOLT,60-224,SS	2
26	P1GX000CENAIL	DRIVENAIL,ZP,GEAR CASE GUARDS	4
27	P1GX107187	GEAR TO REAR BEARING SPACER - ZP1 & ZP2 45/60/64/130/134	2
28	P1GX107186	REAR BEARING - ZP1 & ZP2 45/60/64/130/134	2
29	P1GX060055003	BEARING SPACER - ZP1 & ZP2 45/60/64/130/134	2
30	P1GX117891	SHIM KIT - ZP1 & ZP2 45/60/64/130/134	2
31	P1GX060036000	FRONT BEARING - ZP1 & ZP2 45/60/64/130/134	2
32	P1GX000037003	DRIVE KEY, 3/8" SQ. X 1-5/8" - ZP1 & ZP2 45/60/64/130/134	1
33	P1SX060008001	DRIVE SHAFT (17-4PH) - ZP1 60/64	1
34	P1SX060009001	SHORT SHAFT (17-4PH) - ZP1 60/64	1
36	P1SX121828	BEARING RETAINER, NEW STYLE 3A - ZP1 & ZP2 60/64/130/134	2
37	P1GX000030009-ND	GREASE SEAL, PTFE, FRONT BEARING RET. - ZP1 45/60/64/130/134	2
	<i>P1GX000030009</i>	<i>GREASE SEAL FRONT BEARING RET. - ZP1 45/60/64/130/134</i>	2



Exploded View

Optional Items Shown in ITALICS

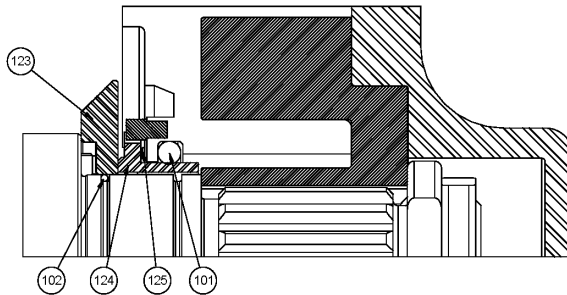
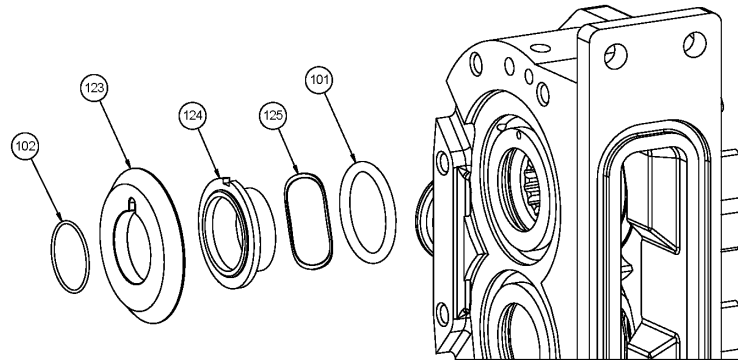
Ref #	Component Item No.	Description	Qty Per
38	GX5077200	CAPSCRW,HX,3/8-16X1-1/4,18-8SS HX HD	8
39	P1BDY064001000	BODY - ZP1 64	1
	<i>P1BDY064001F00</i>	<i>BODY - ZP1 64 - FLUSHED</i>	1
40	P1GX223126000	SEAL STOP PIN - ZP1 60/64/130/134/220/224	2
41	N70366	O-RING, RECTANGULAR FLANGE (BUNA) - ZP1 64	1
	<i>E70366</i>	<i>O-RING, RECTANGULAR FLANGE (EPDM) - ZP1 64</i>	1
	<i>V70366</i>	<i>O-RING, RECTANGULAR FLANGE (VITON) - ZP1 64</i>	1
42	P1GX124582	DOWEL PIN - ZP1 & ZP2 45/60/64/130/134	1
43	P1GX124583	DOWEL PIN - ZP1 & ZP2 45/60/64/130/134	1
44	P1GX30-319	CAPSCRW,SH,5/16-18X3,18-8SS SCKT HD	2
45	P1RTB060010000	ROTOR TWIN BLADE - ALLOY 88 - ZP1 60	2
	<i>P1RTB06001000H</i>	<i>ROTOR TWIN BLADE - ALLOY 88 - ZP1 60 - HOT CLEARANCE</i>	2
	<i>P1RTB0600100HC</i>	<i>ROTOR TWIN BLADE - ALLOY 88 - ZP1 60 - HOT CHOCOLATE</i>	2
	<i>P1RTB060010200</i>	<i>ROTOR TWIN BLADE - 316L - ZP1 60</i>	2
	<i>P1RSW060010010</i>	<i>ROTOR SINGLE WING - ALLOY 88 - ZP1 60 - STRAIGHT</i>	1
	<i>P1RSW060010090</i>	<i>ROTOR SINGLE WING - ALLOY 88 - ZP1 60 - 90°</i>	1
46	P1SX060052001	ROTOR JAM NUT - ZP1 60/64/130/134	4
47	N70272	O-RING, COVER (BUNA) - ZP1 45/60/64/130/134	1
	<i>S75272</i>	<i>O-RING, COVER (SILICONE) - ZP1 45/60/64/130/134</i>	1
	<i>V70272</i>	<i>O-RING, COVER (VITON) - ZP1 45/60/64/130/134</i>	1
	<i>E70272</i>	<i>O-RING, COVER (EPDM) - ZP1 45/60/64/130/134</i>	1
48	P1CVRCD0002S00	COVER - ZP1 60/64/130/134	1
	<i>P1CVRCD0002J10</i>	<i>COVER, JACKETED - ZP1 60/64/130/134</i>	1
49	P1GX105852	WING NUT - ZP1 & ZP2 45/60/64/130/134	8
	<i>P1SX108371</i>	<i>COVER HEX NUT - ZP1 & ZP2 45/60/64/130/134</i>	8
62	P1SX070SPLATE	BEARING RETAINER SPLASH PLATE - ZP1 45/60/64/130/134	2
900	P1GXAD0096001	PICK,COMBO,O-RING ZP1 ZP2	1



Exploded View

Optional Items Shown in ITALICS

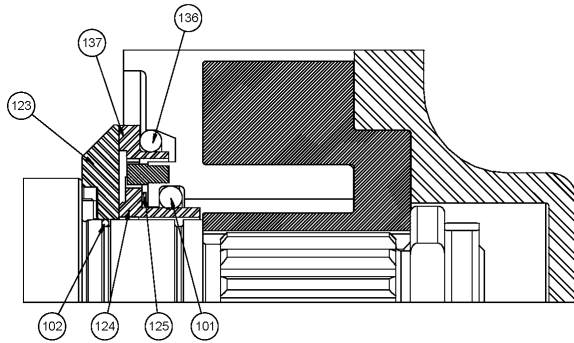
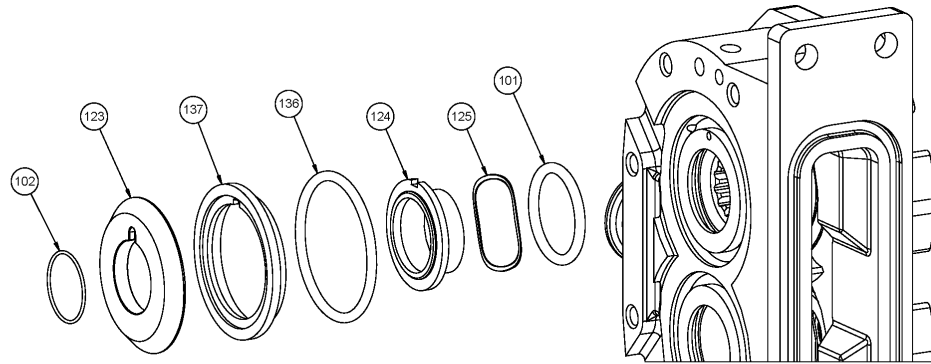
Ref #	Component Item No.	Description	Qty Per
901	P1GX000140003	OIL,460FG,MAGNAPLT,1GAL ZP	1
902	P1GX000140002	GREASE,HALO GUARD,14OZ TUBE ZP	1
903	P1GXRTVSEAL	SILICONE,DOW,732,30Z ZP1 ZP2	1
904	P1GX109897	WRENCH,60-134,RTR NUT ZP1	1



Single Mechanical Seal

Optional Items Shown in ITALICS

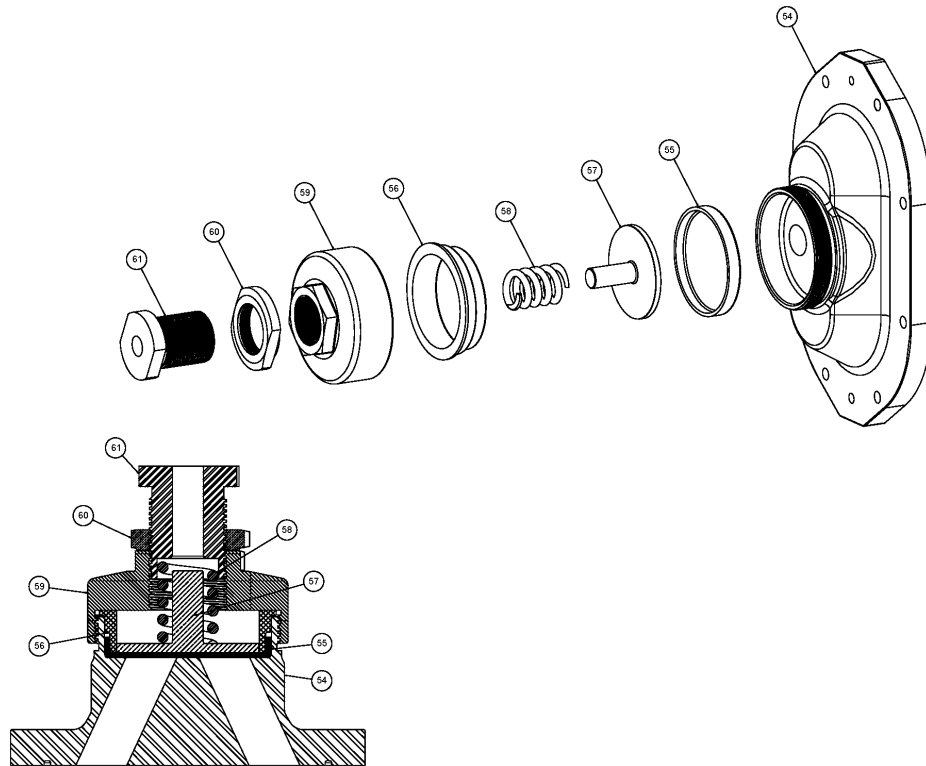
Ref #	Component Item No.	Description	Qty Per
101	N70331	O-RING, BODY (BUNA) - ZP1 60/64/130/134	2
	<i>E70331</i>	<i>O-RING, BODY (EPDM) - ZP1 60/64/130/134</i>	2
	<i>V70331</i>	<i>O-RING, BODY (VITON) - ZP1 60/64/130/134</i>	2
	<i>S75331</i>	<i>O-RING, BODY (SILICONE) - ZP1 60/64/130/134</i>	2
102	N70131	O-RING, SHAFT (BUNA) - ZP1 60/64/130/134	2
	<i>E70131</i>	<i>O-RING, SHAFT (EPDM) - ZP1 60/64/130/134</i>	2
	<i>V70131</i>	<i>O-RING, SHAFT (VITON) - ZP1 60/64/130/134</i>	2
	<i>S75131</i>	<i>O-RING, SHAFT (SILICONE) - ZP1 60/64/130/134</i>	2
123	P1GS060014009	SEAL SEAT (C) ZP1 60/64/130/134	2
	<i>P1GS060014002</i>	<i>SEAL SEAT (K) ZP1 60/64/130/134</i>	2
	<i>P1GS060014001</i>	<i>SEAL SEAT (CO) ZP1 60/64/130/134</i>	2
124	P1GS060306007	SEAL INNER (N) ZP1 60/64/130/134	2
	<i>P1GS40642</i>	<i>SEAL INNER (K) ZP1 60/64/130/134</i>	2
	<i>P1GS060306009</i>	<i>SEAL INNER (C) ZP1 60/64/130/134</i>	2
	<i>P1GS060306002</i>	<i>SEAL SEAT (CO) ZP1 60/64/130/134</i>	2
125	P1GS060304000	INNER SEAL WAVE SPRING - ZP1 60/64/130/134	2



Double Mechanical Seal

Optional Items Shown in ITALICS

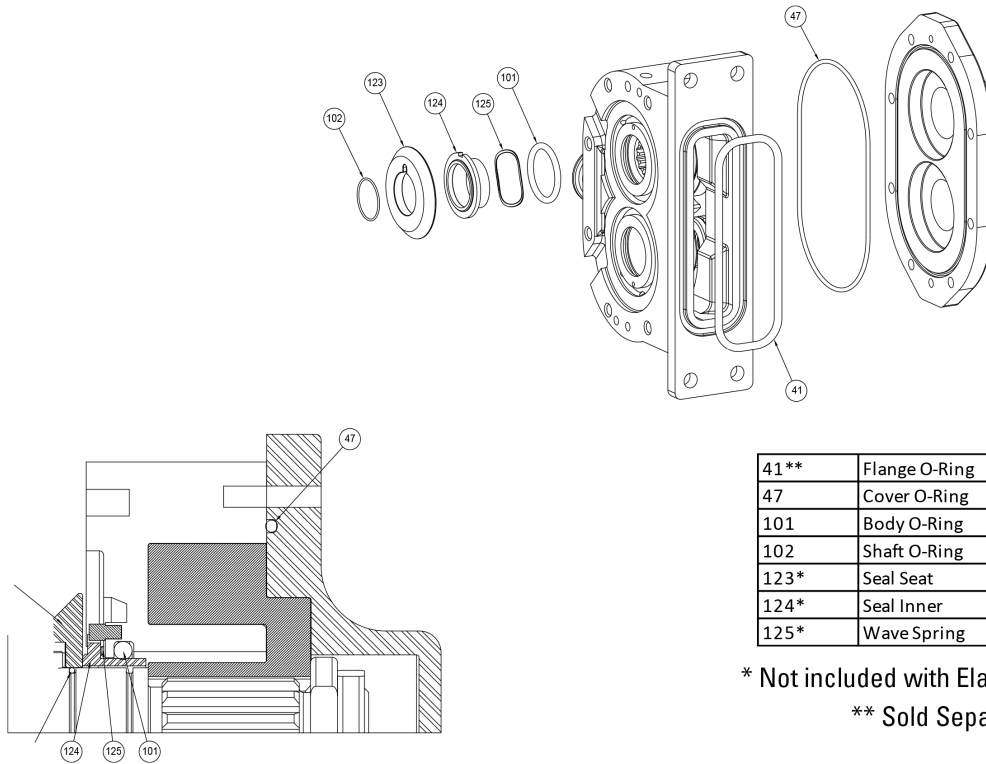
Ref #	Component Item No.	Description	Qty Per
101	N70331	O-RING, BODY (BUNA) - ZP1 60/64/130/134	2
	<i>E70331</i>	<i>O-RING, BODY (EPDM) - ZP1 60/64/130/134</i>	2
	<i>V70331</i>	<i>O-RING, BODY (VITON) - ZP1 60/64/130/134</i>	2
	<i>S75331</i>	<i>O-RING, BODY (SILICONE) - ZP1 60/64/130/134</i>	2
102	N70131	O-RING, SHAFT (BUNA) - ZP1 60/64/130/134	2
	<i>E70131</i>	<i>O-RING, SHAFT (EPDM) - ZP1 60/64/130/134</i>	2
	<i>V70131</i>	<i>O-RING, SHAFT (VITON) - ZP1 60/64/130/134</i>	2
	<i>S75131</i>	<i>O-RING, SHAFT (SILICONE) - ZP1 60/64/130/134</i>	2
123	P1GS060014009	SEAL SEAT (C) ZP1 60/64/130/134	2
	<i>P1GS060014002</i>	<i>SEAL SEAT (K) ZP1 60/64/130/134</i>	2
	<i>P1GS060014001</i>	<i>SEAL SEAT (CO) ZP1 60/64/130/134</i>	2
124	P1GS060306007	SEAL INNER (N) ZP1 60/64/130/134	2
	<i>P1GS40642</i>	<i>SEAL INNER (K) ZP1 60/64/130/134</i>	2
	<i>P1GS060306009</i>	<i>SEAL INNER (C) ZP1 60/64/130/134</i>	2
	<i>P1GS060306002</i>	<i>SEAL SEAT (CO) ZP1 60/64/130/134</i>	2
125	P1GS060304000	INNER SEAL WAVE SPRING - ZP1 60/64/130/134	2
136	N50338	O-RING, OUTER SEAL (BUNA) - ZP1 60/64/130/134	2
	<i>E50338</i>	<i>O-RING, OUTER SEAL (EPDM) - ZP1 60/64/130/134</i>	2
	<i>V50338</i>	<i>O-RING, OUTER SEAL (VITON) - ZP1 60/64/130/134</i>	2
137	P1GS060206007	OUTER SEAL (N) ZP1 60/64/130/134	2
	<i>P1GS060206002</i>	<i>OUTER SEAL (CO) ZP1 60/64/130/134</i>	2



Pressure Relief Cover

Optional Items Shown in ITALICS

Ref #	Component Item No.	Description	Qty Per
54	P1CVRCD0002VS0	VENTED FRONT COVER, ZP1 - 60/64/130/134	1
55	P1GXCD0078000	RUBBER DIAPHRAGM, BUNA, ZP1 & ZP2 & ZP3 - 60/64/130/134	1
	<i>P1GXCD0078E00</i>	<i>RUBBER DIAPHRAGM, EPDM, ZP1 & ZP2 & ZP3 - 60/64/130/134</i>	<i>1</i>
	<i>P1GXCD0078V00</i>	<i>RUBBER DIAPHRAGM, VITON, ZP1 & ZP2 & ZP3 - 60/64/130/134</i>	<i>1</i>
56	P1SXCD0077000	DIAPHRAGM BUSHING, ZP1 & ZP2 & ZP3 - 60/64/130/134	1
57	P1SX113397	SPRING PLUNGER, ZP1 & ZP2 & ZP3 - 60/64/130/134	1
58	P1SX113523	SPRING, MEDIUM, (LESS THAN 150 PSI), ZP1 & ZP2 & ZP3 - 60/64/130/134	1
	<i>P1SX113400</i>	<i>SPRING, HIGH, (MORE THAN 150 PSI), ZP1 & ZP2 & ZP3 - 60/64/130/134</i>	<i>1</i>
59	P1SX113398	COVER NUT, ZP1 & ZP2 & ZP3 - 60/64/130/134	1
60	P1SXGD0074000	LOCKNUT, ZP1 & ZP2 & ZP3 - 60/64/130/134/180/184/220/224	1
61	P1SX113657	ADJUSTING SCREW, ZP1 & ZP2 & ZP3 - 60/64/130/134/180/184/220/224	1



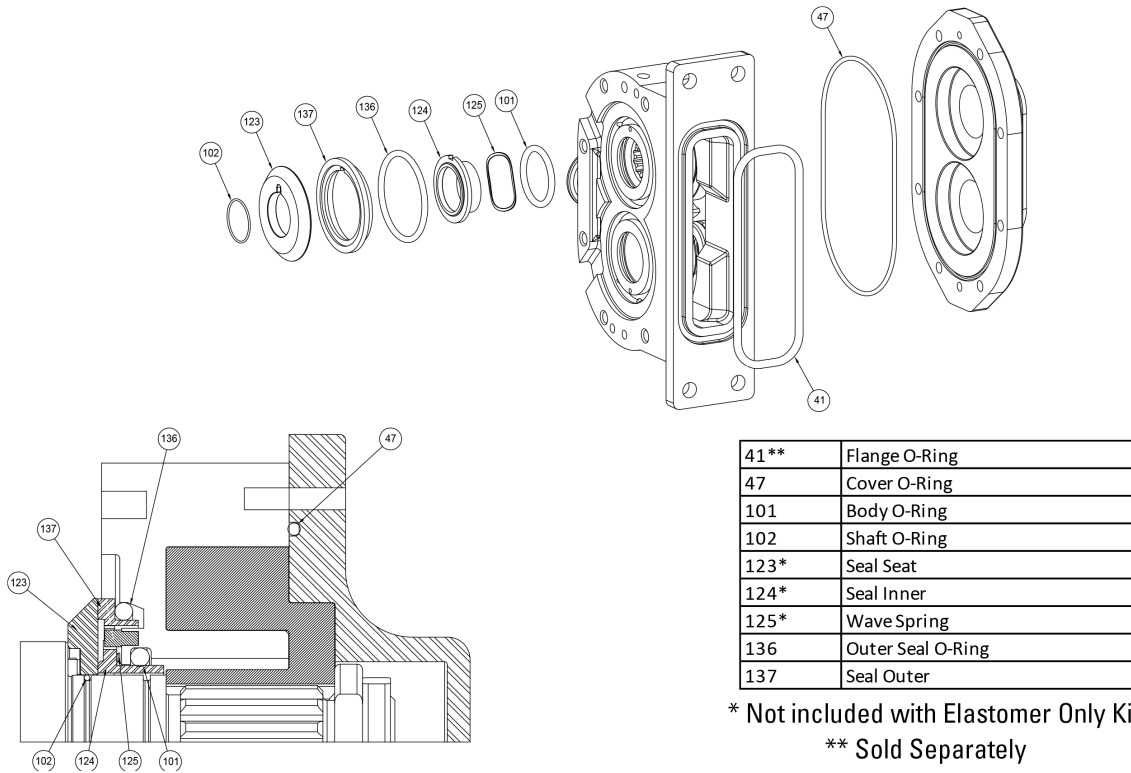
41**	Flange O-Ring
47	Cover O-Ring
101	Body O-Ring
102	Shaft O-Ring
123*	Seal Seat
124*	Seal Inner
125*	Wave Spring

* Not included with Elastomer Only Kits
** Sold Separately

Single Mechanical Seal Kit

Optional Items Shown in ITALICS

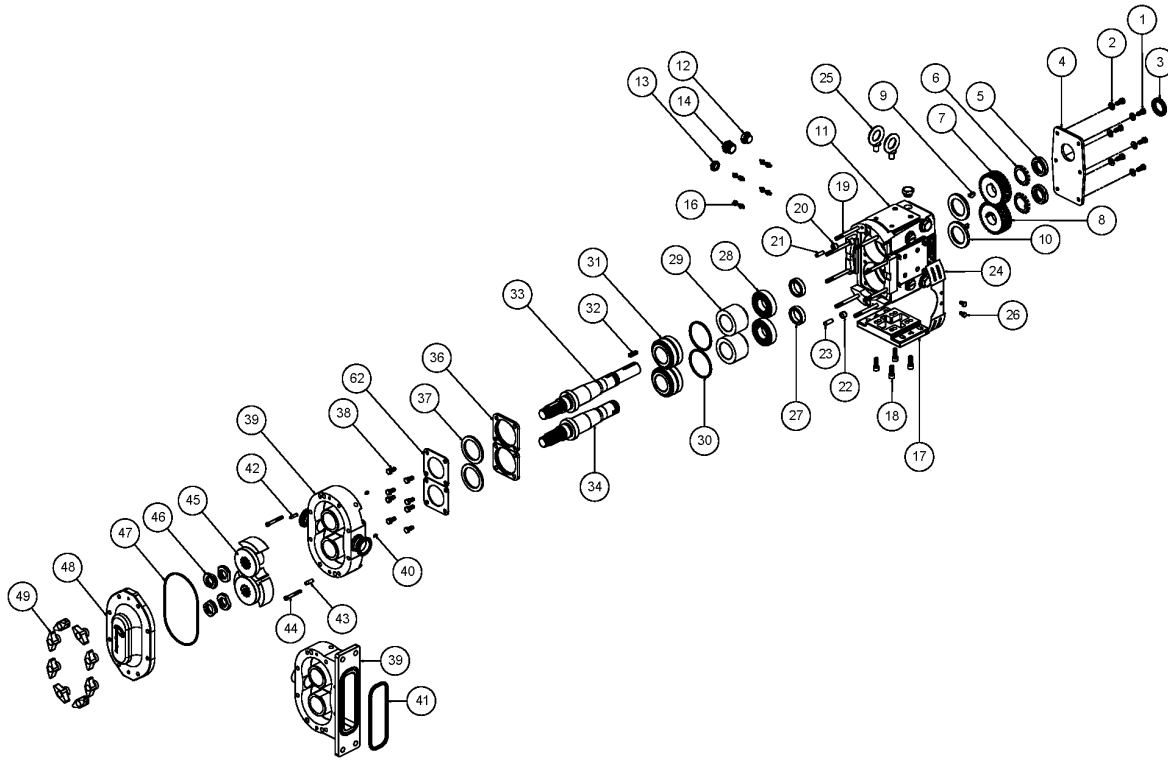
Ref #	Component Item No.	Description	Qty Per
1	P1GX060000-N	SEAL KIT, SGL MECH, ELASTOMERS ONLY, BUNA - ZP1 60/64/130/134	1
	<i>P1GX060000-E</i>	<i>SEAL KIT, SGL MECH, ELASTOMERS ONLY, EPDM - ZP1 60/64/130/134</i>	<i>1</i>
	<i>P1GX060000-V</i>	<i>SEAL KIT, SGL MECH, ELASTOMERS ONLY, VITON - ZP1 60/64/130/134</i>	<i>1</i>
2	P1GS060000-N	SEAL KIT, SGL MECH, SC/CA, BUNA - ZP1 60/64/130/134	1
	<i>P1GS060000-E</i>	<i>SEAL KIT, SGL MECH, SC/CA, EPDM - ZP1 60/64/130/134</i>	<i>1</i>
	<i>P1GS060000-V</i>	<i>SEAL KIT, SGL MECH, SC/CA, VITON - ZP1 60/64/130/134</i>	<i>1</i>
3	P1GS060020-N	SEAL KIT, SGL MECH, CE/CA, BUNA - ZP1 60/64/130/134	1
	<i>P1GS060020-E</i>	<i>SEAL KIT, SGL MECH, CE/CA, EPDM - ZP1 60/64/130/134</i>	<i>1</i>
	<i>P1GS060020-V</i>	<i>SEAL KIT, SGL MECH, CE/CA, VITON - ZP1 60/64/130/134</i>	<i>1</i>
4	<i>P1GS060030-E</i>	<i>SEAL KIT, SGL MECH, CE/CE, EPDM - ZP1 60/64/130/134</i>	<i>1</i>
	<i>P1GS060030-V</i>	<i>SEAL KIT, SGL MECH, CE/CE, VITON - ZP1 60/64/130/134</i>	<i>1</i>
5	P1GS060010-N	SEAL KIT, SGL MECH, SC/SC, BUNA - ZP1 60/64/130/134	1
	<i>P1GS060010-E</i>	<i>SEAL KIT, SGL MECH, SC/SC, EPDM - ZP1 60/64/130/134</i>	<i>1</i>
	<i>P1GS060010-V</i>	<i>SEAL KIT, SGL MECH, SC/SC, VITON - ZP1 60/64/130/134</i>	<i>1</i>



Double Mechanical Seal Kit

Optional Items Shown in ITALICS

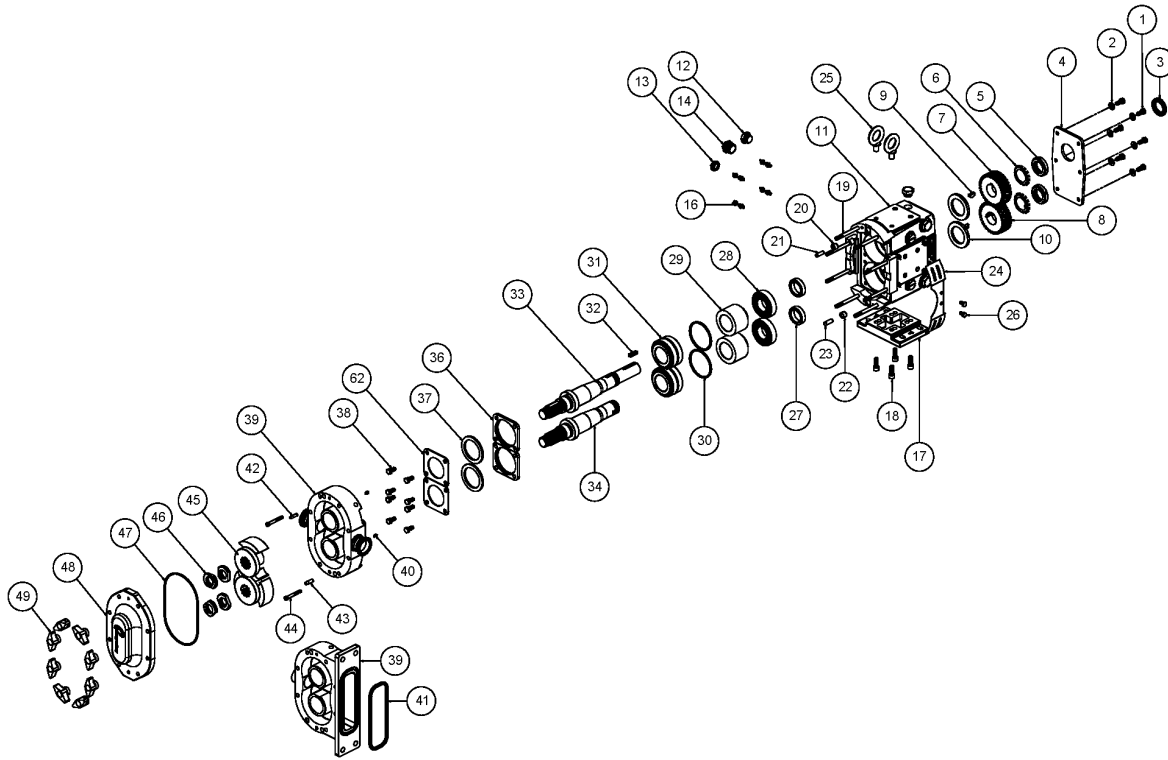
Ref #	Component Item No.	Description	Qty Per
1	P1GX060200-N	SEAL KIT, DBL MECH, ELASTOMERS ONLY, BUNA - ZP1 60/64/130/134	1
	<i>P1GX060200-E</i>	<i>SEAL KIT, DBL MECH, ELASTOMERS ONLY, EPDM - ZP1 60/64/130/134</i>	<i>1</i>
	<i>P1GX060200-V</i>	<i>SEAL KIT, DBL MECH, ELASTOMERS ONLY, VITON - ZP1 60/64/130/134</i>	<i>1</i>
2	P1GS060200-N	SEAL KIT, DBL MECH, SC/CA/CA, BUNA - ZP1 60/64/130/134	1
	<i>P1GS060200-E</i>	<i>SEAL KIT, DBL MECH, SC/CA/CA, EPDM - ZP1 60/64/130/134</i>	<i>1</i>
	<i>P1GS060200-V</i>	<i>SEAL KIT, DBL MECH, SC/CA/CA, VITON - ZP1 60/64/130/134</i>	<i>1</i>
3	P1GS060224-N	SEAL KIT, DBL MECH, CE/CA/CA, BUNA - ZP1 60/64/130/134	1
	<i>P1GS060224-E</i>	<i>SEAL KIT, DBL MECH, CE/CA/CA, EPDM - ZP1 60/64/130/134</i>	<i>1</i>
	<i>P1GS060224-V</i>	<i>SEAL KIT, DBL MECH, CE/CA/CA, VITON - ZP1 60/64/130/134</i>	<i>1</i>
4	P1GS060230-N	SEAL KIT, DBL MECH, CE/CE/CA, BUNA - ZP1 60/64/130/134	1
5	P1GS060210-N	SEAL KIT, DBL MECH, SC/SC/CA, BUNA - ZP1 60/64/130/134	1
	<i>P1GS060210-E</i>	<i>SEAL KIT, DBL MECH, SC/SC/CA, EPDM - ZP1 60/64/130/134</i>	<i>1</i>
	<i>P1GS060210-V</i>	<i>SEAL KIT, DBL MECH, SC/SC/CA, VITON - ZP1 60/64/130/134</i>	<i>1</i>



Exploded View

Optional Items Shown in ITALICS

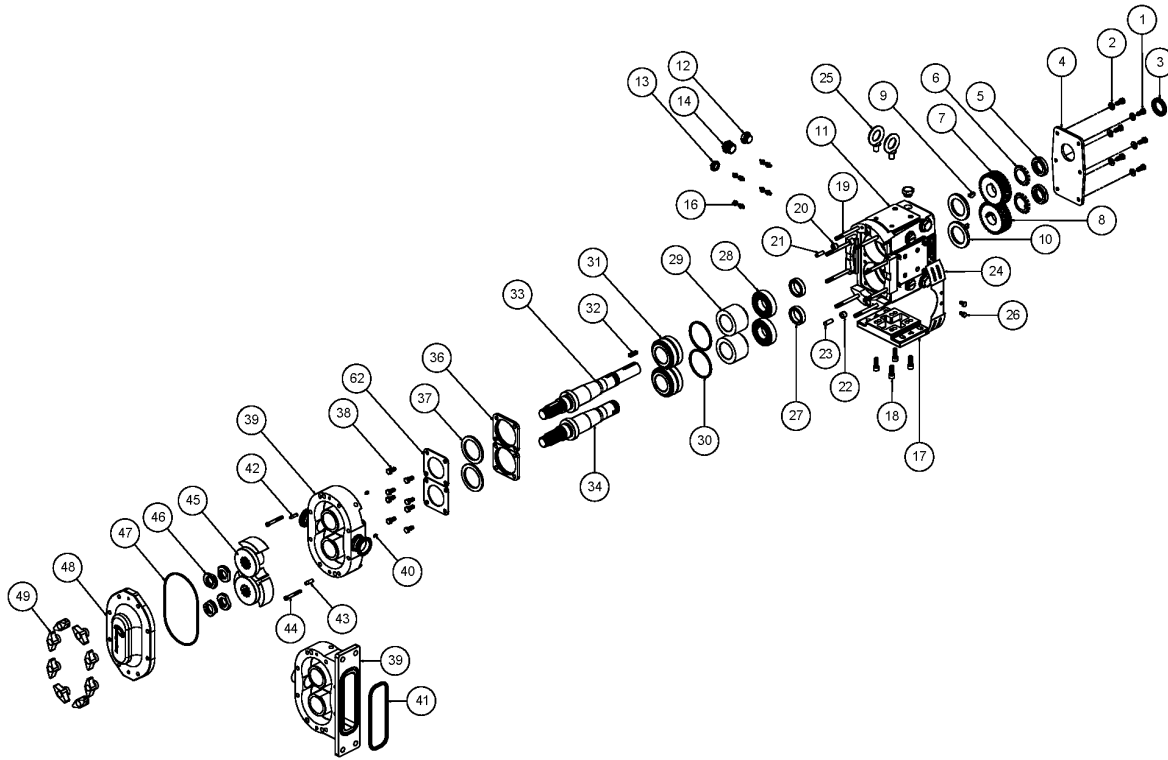
Ref #	Component Item No.	Description	Qty Per
1	P1GX30-50	GEAR CASE COVER BOLT - 3/8-16 X 3/4 HHCS (18-8 SS)	6
2	P1GX43-189	GEAR CASE COVER WASHER - 3/8 FLAT WASHER (18-8 SS)	6
3	P1GX000030012-ND	OIL SEAL, PTFE, GEAR CASE COVER - ZP1 & ZP2 45/60/64/130/134	1
	<i>P1GX000030012</i>	<i>OIL SEAL, GEAR CASE COVER - ZP1 & ZP2 45/60/64/130/134</i>	1
4	P1SX070106000	GEAR CASE COVER, SS - ZP1 & ZP2 45/60/64/130/134	1
5	P1GXSTD236009	GEAR LOCKNUT ZP1 & ZP2 45/60/64/130/134	2
6	P1GXSTD136009	GEAR LOCKWASHER ZP1 & ZP2 45/60/64/130/134	2
7	P1GX060007001	GEAR DRIVE SHAFT ZP1 & ZP2 45/60/64/130/134	1
8	P1GX060007002	GEAR SHORT SHAFT ZP1 & ZP2 45/60/64/130/134	1
9	P1GX060037000	GEAR KEY - ZP1 & ZP2 45/60/64/130/134	2
10	P1GX000030011	OIL SEAL REAR - ZP1 & ZP2 45/60/64/130/134	2
11	P1SX070005000	GEAR CASE, SS - ZP1 & ZP2 45/60/64/130/134	1
12	P1GX115798	PLUG,HEX,20M X1.5,W/NBR SEAL	5
13	P1GX115799	GAUGE,OIL,LVL,INDIC,M-20X1.5	1
14	P1GX70PLUG-SS	CLEAN OUT PLUG, SS - ZP1 & ZP2 45/60/64/130/134	4
	<i>P1GX70PLUG</i>	<i>CLEAN OUT PLUG, YELLOW - ZP1 & ZP2 45/60/64/130/134</i>	4
16	P1GXBD0092001	GREASE FITTING, THREADED 1/4"-28 TAPER, SS	8
17	P1SX070110000	GEAR CASE BASE, SS - ZP1 & ZP2 45/60/64/130/134	1
18	P1GX60SHCSGCB	SHCS, G. CASE BASE, (18-8 SS) 1/2-13 X 1.5" ZP1 & ZP2 60/130	4
19	P1GX0C1050000	STUD, SHORT, ZP1 64	2
	P1GX108843	STUD, ZP1 64	6
	<i>P1GX108846</i>	<i>STUD, JACKETED COVER, ZP1 64</i>	6
	<i>P1GX35556</i>	<i>STUD, SHORT, JACKETED COVER, ZP1 64</i>	2
20	P1GXCD0116000	UPPER DOWEL BUSHING - ZP1 & ZP2 45/60/64/130/134/180/220/224	1
21	P1GX124584	DOWEL PIN - ZP1 & ZP2 45/60/64/130/134	1
22	P1GXCD0116100	LOWER DOWEL BUSHING - ZP1 & ZP2 45/60/64/130/134/180/220/224	1
23	P1GX124586	DOWEL PIN - ZP1 & ZP2 45/60/64/130/134	1



Exploded View

Optional Items Shown in ITALICS

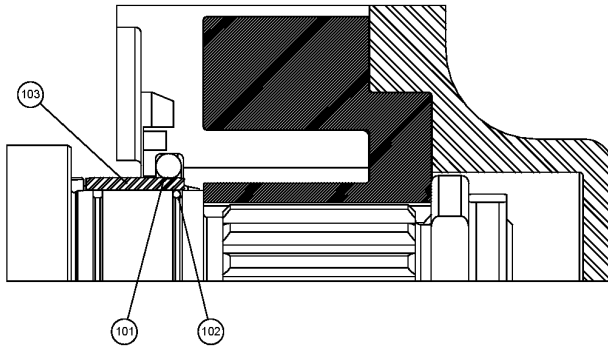
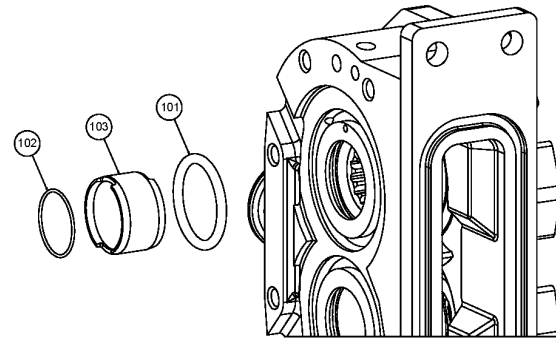
Ref #	Component Item No.	Description	Qty Per
24	P1SX070CEGUARD	GUARD,45-134,(CE),GC,SS	2
25	P1GXEYEBOLT-SS	EYE BOLT,60-224,SS	2
26	P1GX000CENAIL	DRIVENAIL,ZP,GEAR CASE GUARDS	4
27	P1GX107187	GEAR TO REAR BEARING SPACER - ZP1 & ZP2 45/60/64/130/134	2
28	P1GX107186	REAR BEARING - ZP1 & ZP2 45/60/64/130/134	2
29	P1GX060055003	BEARING SPACER - ZP1 & ZP2 45/60/64/130/134	2
30	P1GX117891	SHIM KIT - ZP1 & ZP2 45/60/64/130/134	2
31	P1GX060036000	FRONT BEARING - ZP1 & ZP2 45/60/64/130/134	2
32	P1GX000037003	DRIVE KEY, 3/8" SQ. X 1-5/8" - ZP1 & ZP2 45/60/64/130/134	1
33	P1SX060008001	DRIVE SHAFT (17-4PH) - ZP1 60/64	1
34	P1SX060009001	SHORT SHAFT (17-4PH) - ZP1 60/64	1
36	P1SX121828	BEARING RETAINER, NEW STYLE 3A - ZP1 & ZP2 60/64/130/134	2
37	P1GX000030009-ND	GREASE SEAL, PTFE, FRONT BEARING RET. - ZP1 45/60/64/130/134	2
	<i>P1GX000030009</i>	<i>GREASE SEAL FRONT BEARING RET. - ZP1 45/60/64/130/134</i>	2
38	GX5077200	CAPSCRW,HX,3/8-16X1-1/4,18-8SS HX HD	8
39	P1BDY064001000	BODY - ZP1 64	1
	<i>P1BDY064001F00</i>	<i>BODY - ZP1 64 - FLUSHED</i>	1
40	P1GX223126000	SEAL STOP PIN - ZP1 60/64/130/134/220/224	2
41	N70366	O-RING, RECTANGULAR FLANGE (BUNA) - ZP1 64	1
	<i>E70366</i>	<i>O-RING, RECTANGULAR FLANGE (EPDM) - ZP1 64</i>	1
	<i>V70366</i>	<i>O-RING, RECTANGULAR FLANGE (VITON) - ZP1 64</i>	1
42	P1GX124582	DOWEL PIN - ZP1 & ZP2 45/60/64/130/134	1
43	P1GX124583	DOWEL PIN - ZP1 & ZP2 45/60/64/130/134	1
44	P1GX30-319	CAPSCRW,SH,5/16-18X3,18-8SS SCKT HD	2
45	P1RTB060010000	ROTOR TWIN BLADE - ALLOY 88 - ZP1 60	2
	<i>P1RTB06001000H</i>	<i>ROTOR TWIN BLADE - ALLOY 88 - ZP1 60 - HOT CLEARANCE</i>	2
	<i>P1RTB0600100HC</i>	<i>ROTOR TWIN BLADE - ALLOY 88 - ZP1 60 - HOT CHOCOLATE</i>	2



Exploded View

Optional Items Shown in ITALICS

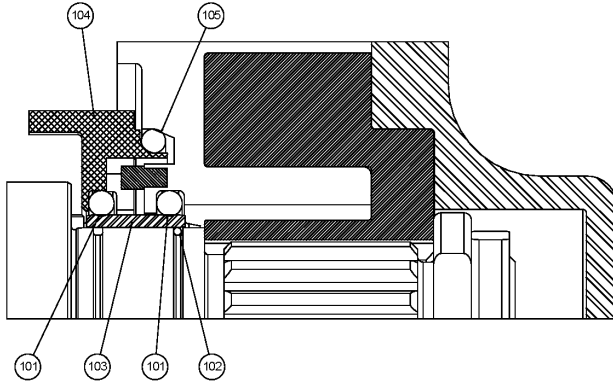
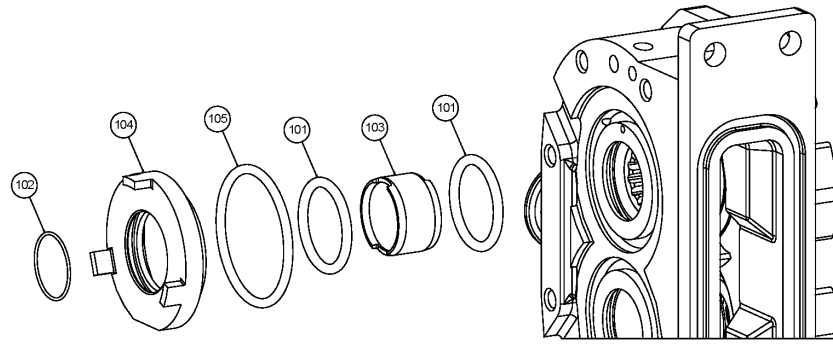
Ref #	Component Item No.	Description	Qty Per
45	<i>P1RTB060010200</i>	<i>ROTOR TWIN BLADE - 316L - ZP1 60</i>	2
	<i>P1RSW060010010</i>	<i>ROTOR SINGLE WING - ALLOY 88 - ZP1 60 - STRAIGHT</i>	1
	<i>P1RSW060010090</i>	<i>ROTOR SINGLE WING - ALLOY 88 - ZP1 60 - 90°</i>	1
46	P1SX060052001	ROTOR JAM NUT - ZP1 60/64/130/134	4
47	N70272	O-RING, COVER (BUNA) - ZP1 45/60/64/130/134	1
	<i>S75272</i>	<i>O-RING, COVER (SILICONE) - ZP1 45/60/64/130/134</i>	1
	<i>V70272</i>	<i>O-RING, COVER (VITON) - ZP1 45/60/64/130/134</i>	1
	<i>E70272</i>	<i>O-RING, COVER (EPDM) - ZP1 45/60/64/130/134</i>	1
48	P1CVRCD0002S00	COVER - ZP1 60/64/130/134	1
	<i>P1CVRCD0002J10</i>	<i>COVER, JACKETED - ZP1 60/64/130/134</i>	1
49	P1GX105852	WING NUT - ZP1 & ZP2 45/60/64/130/134	8
	<i>P1SX108371</i>	<i>COVER HEX NUT - ZP1 & ZP2 45/60/64/130/134</i>	8
62	P1SX070SPATE	BEARING RETAINER SPLASH PLATE - ZP1 45/60/64/130/134	2
900	P1GXAD0096001	PICK,COMBO,O-RING ZP1 ZP2	1
901	P1GX000140003	OIL,460FG,MAGNAPLT,1GAL ZP	1
902	P1GX000140002	GREASE,HALO GUARD,14OZ TUBE ZP	1
903	P1GXRTVSEAL	SILICONE,DOW,732,30Z ZP1 ZP2	1
904	P1GX109897	WRENCH,60-134,RTR NUT ZP1	1



Single O-Ring Seal

Optional Items Shown in ITALICS

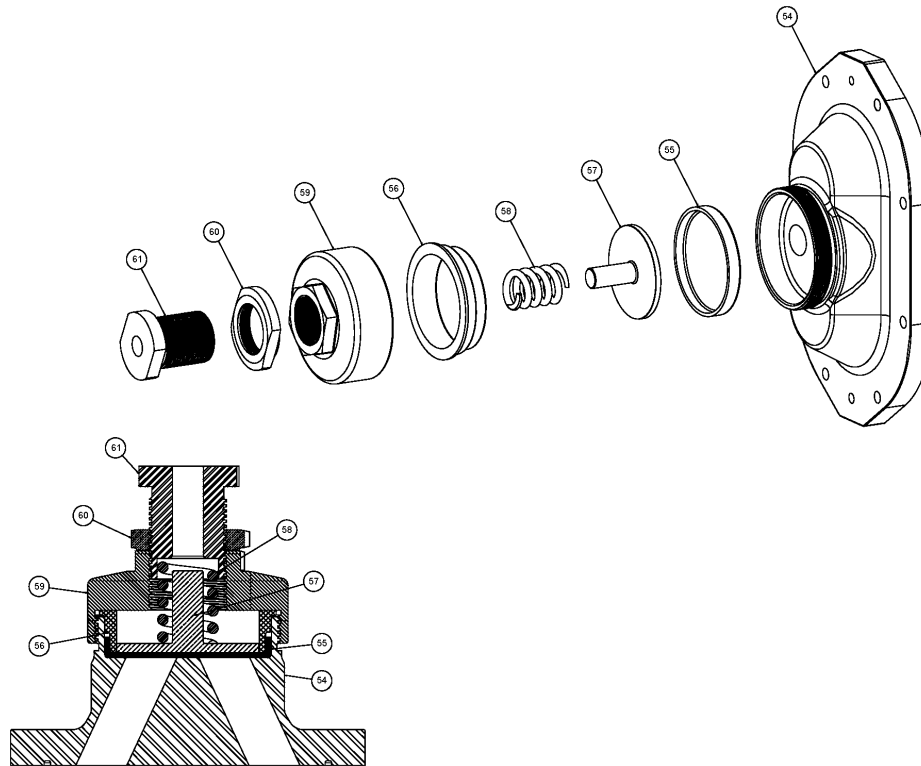
Ref #	Component Item No.	Description	Qty Per
101	N70331	O-RING, BODY (BUNA) - ZP1 60/64/130/134	2
	<i>E70331</i>	<i>O-RING, BODY (EPDM) - ZP1 60/64/130/134</i>	2
	<i>V70331</i>	<i>O-RING, BODY (VITON) - ZP1 60/64/130/134</i>	2
	<i>S75331</i>	<i>O-RING, BODY (SILICONE) - ZP1 60/64/130/134</i>	2
102	N70131	O-RING, SHAFT (BUNA) - ZP1 60/64/130/134	2
	<i>E70131</i>	<i>O-RING, SHAFT (EPDM) - ZP1 60/64/130/134</i>	2
	<i>V70131</i>	<i>O-RING, SHAFT (VITON) - ZP1 60/64/130/134</i>	2
	<i>S75131</i>	<i>O-RING, SHAFT (SILICONE) - ZP1 60/64/130/134</i>	2
103	P1SX060098001	SLEEVE (17-4PH H900) ZP1 60/64/130/134 - SLOTTED	2
	<i>P1SX060098004</i>	<i>ZIRCONIA SLEEVE - ZP1 60/64/130/134</i>	2
	<i>P1SX060098002</i>	<i>CHROME OXIDE SLEEVE (316L) - ZP1 60/64/130/134</i>	2



Double O-Ring Seal

Optional Items Shown in ITALICS

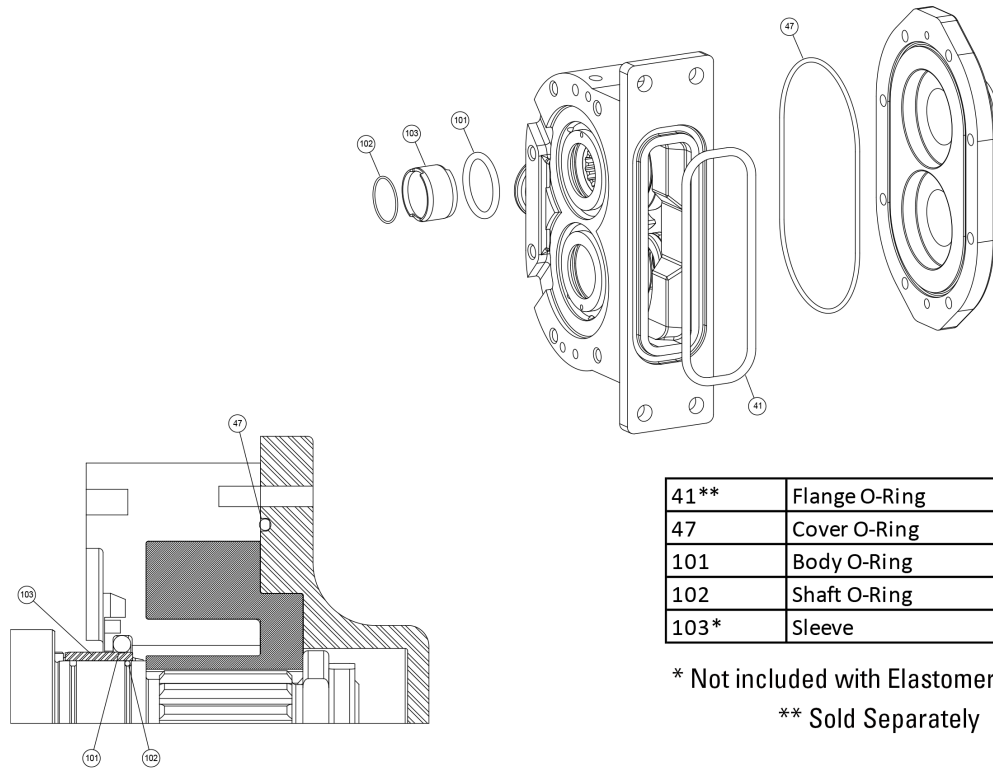
Ref #	Component Item No.	Description	Qty Per
101	N70331	O-RING, BODY (BUNA) - ZP1 60/64/130/134	4
	<i>E70331</i>	<i>O-RING, BODY (EPDM) - ZP1 60/64/130/134</i>	4
	<i>V70331</i>	<i>O-RING, BODY (VITON) - ZP1 60/64/130/134</i>	4
	<i>S75331</i>	<i>O-RING, BODY (SILICONE) - ZP1 60/64/130/134</i>	4
102	N70131	O-RING, SHAFT (BUNA) - ZP1 60/64/130/134	2
	<i>E70131</i>	<i>O-RING, SHAFT (EPDM) - ZP1 60/64/130/134</i>	2
	<i>V70131</i>	<i>O-RING, SHAFT (VITON) - ZP1 60/64/130/134</i>	2
	<i>S75131</i>	<i>O-RING, SHAFT (SILICONE) - ZP1 60/64/130/134</i>	2
103	P1SX060098001	SLEEVE (17-4PH H900) ZP1 60/64/130/134 - SLOTTED	2
	<i>P1SX060098004</i>	<i>ZIRCONIA SLEEVE - ZP1 60/64/130/134</i>	2
	<i>P1SX060098002</i>	<i>CHROME OXIDE SLEEVE (316L) - ZP1 60/64/130/134</i>	2
104	P1SX060034002	O-RING SEAL CARRIER, 3A NEW STYLE - ZP1 60/64/130/134	2
105	N50338	O-RING, OUTER SEAL (BUNA) - ZP1 60/64/130/134	2
	<i>E50338</i>	<i>O-RING, OUTER SEAL (EPDM) - ZP1 60/64/130/134</i>	2
	<i>V50338</i>	<i>O-RING, OUTER SEAL (VITON) - ZP1 60/64/130/134</i>	2



Pressure Relief Cover

Optional Items Shown in ITALICS

Ref #	Component Item No.	Description	Qty Per
54	P1CVRCD0002VS0	VENTED FRONT COVER, ZP1 - 60/64/130/134	1
55	P1GXCD0078000	RUBBER DIAPHRAGM, BUNA, ZP1 & ZP2 & ZP3 - 60/64/130/134	1
	<i>P1GXCD0078E00</i>	<i>RUBBER DIAPHRAGM, EPDM, ZP1 & ZP2 & ZP3 - 60/64/130/134</i>	<i>1</i>
	<i>P1GXCD0078V00</i>	<i>RUBBER DIAPHRAGM, VITON, ZP1 & ZP2 & ZP3 - 60/64/130/134</i>	<i>1</i>
56	P1SXCD0077000	DIAPHRAGM BUSHING, ZP1 & ZP2 & ZP3 - 60/64/130/134	1
57	P1SX113397	SPRING PLUNGER, ZP1 & ZP2 & ZP3 - 60/64/130/134	1
58	P1SX113523	SPRING, MEDIUM, (LESS THAN 150 PSI), ZP1 & ZP2 & ZP3 - 60/64/130/134	1
	<i>P1SX113400</i>	<i>SPRING, HIGH, (MORE THAN 150 PSI), ZP1 & ZP2 & ZP3 - 60/64/130/134</i>	<i>1</i>
59	P1SX113398	COVER NUT, ZP1 & ZP2 & ZP3 - 60/64/130/134	1
60	P1SXGD0074000	LOCKNUT, ZP1 & ZP2 & ZP3 - 60/64/130/134/180/184/220/224	1
61	P1SX113657	ADJUSTING SCREW, ZP1 & ZP2 & ZP3 - 60/64/130/134/180/184/220/224	1



41**	Flange O-Ring
47	Cover O-Ring
101	Body O-Ring
102	Shaft O-Ring
103*	Sleeve

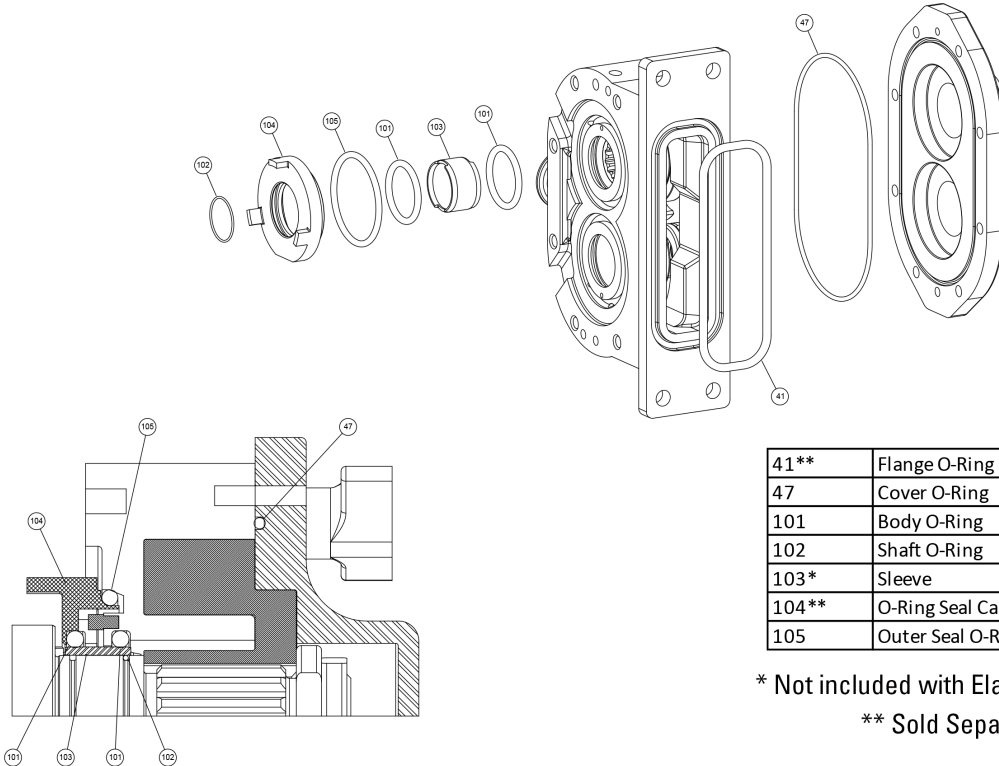
* Not included with Elastomer Only Kits

** Sold Separately

Single O-Ring Seal Kit

Optional Items Shown in ITALICS

Ref #	Component Item No.	Description	Qty Per
1	P1GX060000-N	SEAL KIT, SGL O-RING, ELASTOMERS ONLY, BUNA - ZP1 60/64/130/134	1
	<i>P1GX060000-E</i>	<i>SEAL KIT, SGL O-RING, ELASTOMERS ONLY, EPDM - ZP1 60/64/130/134</i>	<i>1</i>
	<i>P1GX060000-V</i>	<i>SEAL KIT, SGL O-RING, ELASTOMERS ONLY, VITON - ZP1 60/64/130/134</i>	<i>1</i>
2	P1GS06000S-N	SEAL KIT, SGL O-RING, 17-4 SS SLVS, BUNA - ZP1 60/64/130/134	1
	<i>P1GS06000S-E</i>	<i>SEAL KIT, SGL O-RING, 17-4 SS SLVS, EPDM - ZP1 60/64/130/134</i>	<i>1</i>
	<i>P1GS06000S-V</i>	<i>SEAL KIT, SGL O-RING, 17-4 SS SLVS, VITON - ZP1 60/64/130/134</i>	<i>1</i>
3	P1GS06000Z-N	SEAL KIT, SGL O-RING, ZIRCONIA SLVS, BUNA - ZP1 60/64/130/134	1
	<i>P1GS06000Z-E</i>	<i>SEAL KIT, SGL O-RING, ZIRCONIA SLVS, EPDM - ZP1 60/64/130/134</i>	<i>1</i>
	<i>P1GS06000Z-V</i>	<i>SEAL KIT, SGL O-RING, ZIRCONIA SLVS, VITON - ZP1 60/64/130/134</i>	<i>1</i>



41**	Flange O-Ring
47	Cover O-Ring
101	Body O-Ring
102	Shaft O-Ring
103*	Sleeve
104**	O-Ring Seal Carrier
105	Outer Seal O-Ring

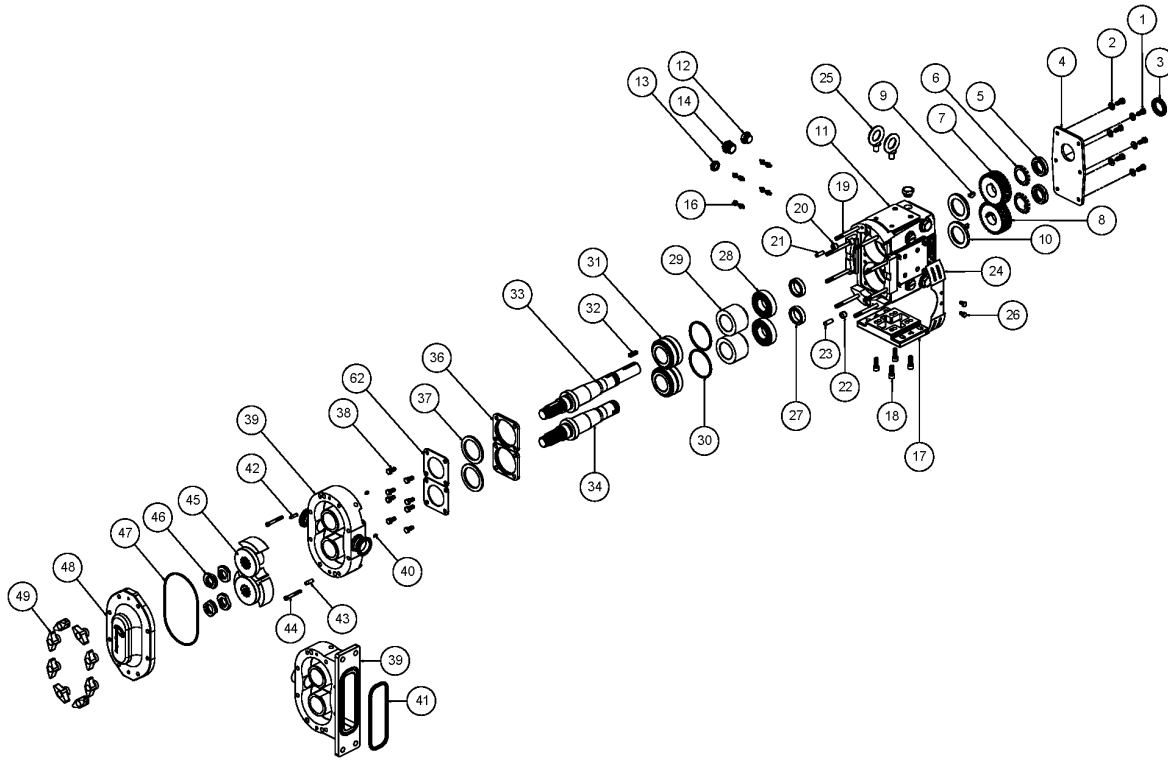
* Not included with Elastomer Only Kits

** Sold Separately

Double O-Ring Seal Kit

Optional Items Shown in ITALICS

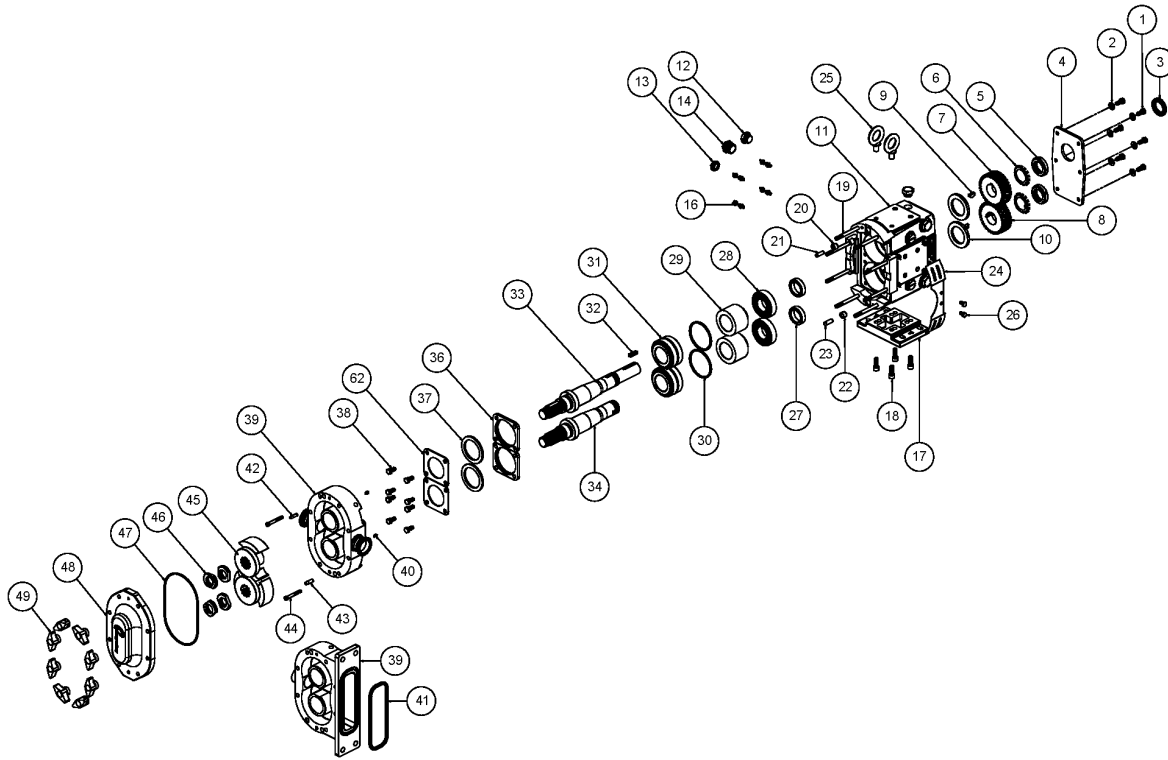
Ref #	Component Item No.	Description	Qty Per
1	P1GX060200-N	SEAL KIT, DBL O-RING, ELASTOMERS ONLY, BUNA - ZP1 60/64/130/134	1
	<i>P1GX060200-E</i>	<i>SEAL KIT, DBL O-RING, ELASTOMERS ONLY, EPDM - ZP1 60/64/130/134</i>	<i>1</i>
	<i>P1GX060200-V</i>	<i>SEAL KIT, DBL O-RING, ELASTOMERS ONLY, VITON - ZP1 60/64/130/134</i>	<i>1</i>
2	P1GS06020S-N	SEAL KIT, DBL O-RING, 17-4 SS SLVS, BUNA - ZP1 60/64/130/134	1
	<i>P1GS06020S-E</i>	<i>SEAL KIT, DBL O-RING, 17-4 SS SLVS, EPDM - ZP1 60/64/130/134</i>	<i>1</i>
	<i>P1GS06020S-V</i>	<i>SEAL KIT, DBL O-RING, 17-4 SS SLVS, VITON - ZP1 60/64/130/134</i>	<i>1</i>
3	P1GS06020Z-N	SEAL KIT, DBL O-RING, ZIRCONIA SLVS, BUNA - ZP1 60/64/130/134	1
	<i>P1GS06020Z-E</i>	<i>SEAL KIT, DBL O-RING, ZIRCONIA SLVS, EPDM - ZP1 60/64/130/134</i>	<i>1</i>
	<i>P1GS06020Z-V</i>	<i>SEAL KIT, DBL O-RING, ZIRCONIA SLVS, VITON - ZP1 60/64/130/134</i>	<i>1</i>



Exploded View

Optional Items Shown in ITALICS

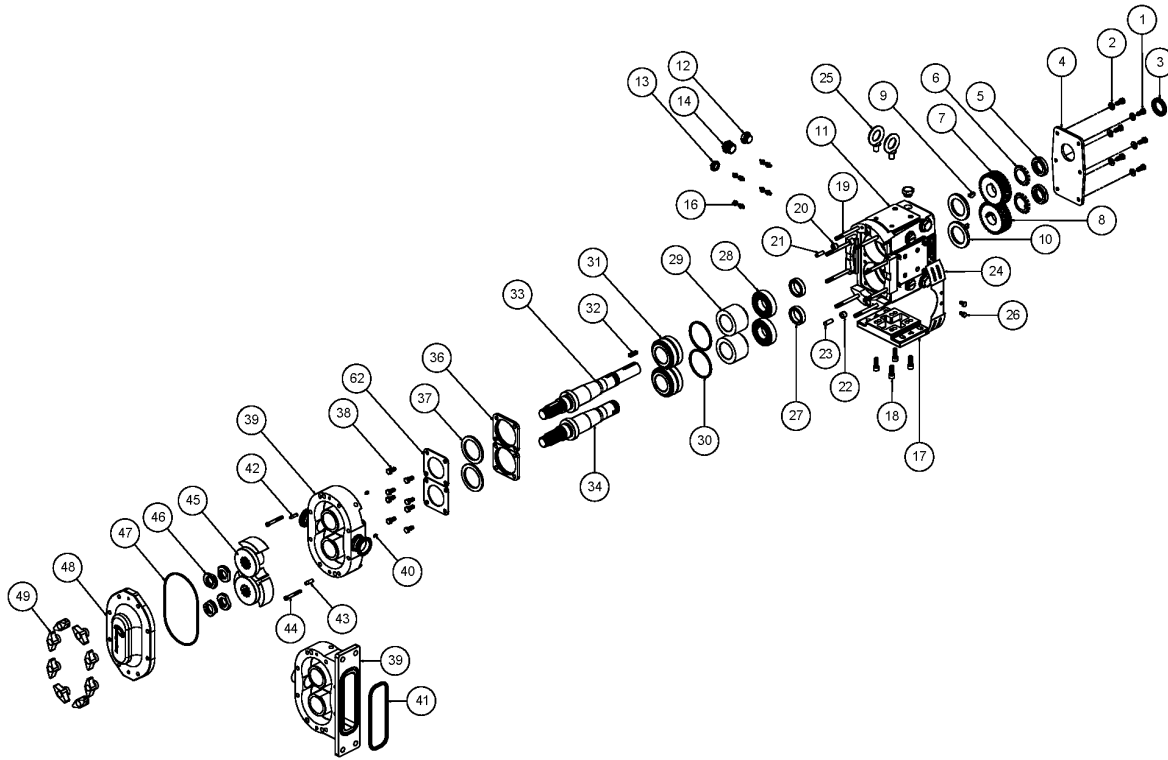
Ref #	Component Item No.	Description	Qty Per
1	P1GX30-50	GEAR CASE COVER BOLT - 3/8-16 X 3/4 HHCS (18-8 SS)	6
2	P1GX43-189	GEAR CASE COVER WASHER - 3/8 FLAT WASHER (18-8 SS)	6
3	P1GX000030012-ND	OIL SEAL, PTFE, GEAR CASE COVER - ZP1 & ZP2 45/60/64/130/134	1
	<i>P1GX000030012</i>	<i>OIL SEAL, GEAR CASE COVER - ZP1 & ZP2 45/60/64/130/134</i>	1
4	P1SX070106000	GEAR CASE COVER, SS - ZP1 & ZP2 45/60/64/130/134	1
5	P1GXSTD236009	GEAR LOCKNUT ZP1 & ZP2 45/60/64/130/134	2
6	P1GXSTD136009	GEAR LOCKWASHER ZP1 & ZP2 45/60/64/130/134	2
7	P1GX060007001	GEAR DRIVE SHAFT ZP1 & ZP2 45/60/64/130/134	1
8	P1GX060007002	GEAR SHORT SHAFT ZP1 & ZP2 45/60/64/130/134	1
9	P1GX060037000	GEAR KEY - ZP1 & ZP2 45/60/64/130/134	2
10	P1GX000030011	OIL SEAL REAR - ZP1 & ZP2 45/60/64/130/134	2
11	P1SX070005000	GEAR CASE, SS - ZP1 & ZP2 45/60/64/130/134	1
12	P1GX115798	PLUG,HEX,20M X1.5,W/NBR SEAL	5
13	P1GX115799	GAUGE,OIL,LVL,INDIC,M-20X1.5	1
14	P1GX70PLUG-SS	CLEAN OUT PLUG, SS - ZP1 & ZP2 45/60/64/130/134	4
	<i>P1GX70PLUG</i>	<i>CLEAN OUT PLUG, YELLOW - ZP1 & ZP2 45/60/64/130/134</i>	4
16	P1GXBD0092001	GREASE FITTING, THREADED 1/4"-28 TAPER, SS	8
17	P1SX070110000	GEAR CASE BASE, SS - ZP1 & ZP2 45/60/64/130/134	1
18	P1GX60SHCSGCB	SHCS, G. CASE BASE, (18-8 SS) 1/2-13 X 1.5" ZP1 & ZP2 60/130	4
19	P1GX130011000	STUD, ZP1 130	8
	<i>P1GX130011001</i>	<i>STUD, JACKETED COVER, ZP1 130</i>	8
20	P1GXCD0116000	UPPER DOWEL BUSHING - ZP1 & ZP2 45/60/64/130/134/180/220/224	1
21	P1GX124584	DOWEL PIN - ZP1 & ZP2 45/60/64/130/134	1
22	P1GXCD0116100	LOWER DOWEL BUSHING - ZP1 & ZP2 45/60/64/130/134/180/220/224	1
23	P1GX124586	DOWEL PIN - ZP1 & ZP2 45/60/64/130/134	1
24	P1SX070CEGUARD	GUARD,45-134,(CE),GC,SS	2
25	P1GXEYEBOLT-SS	EYE BOLT,60-224,SS	2



Exploded View

Optional Items Shown in ITALICS

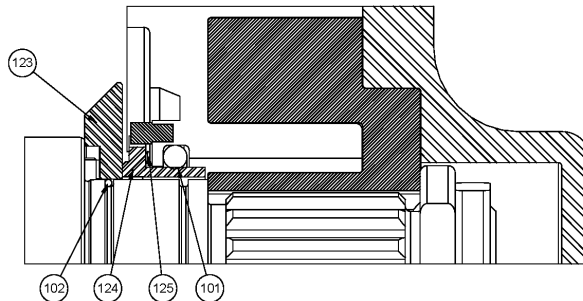
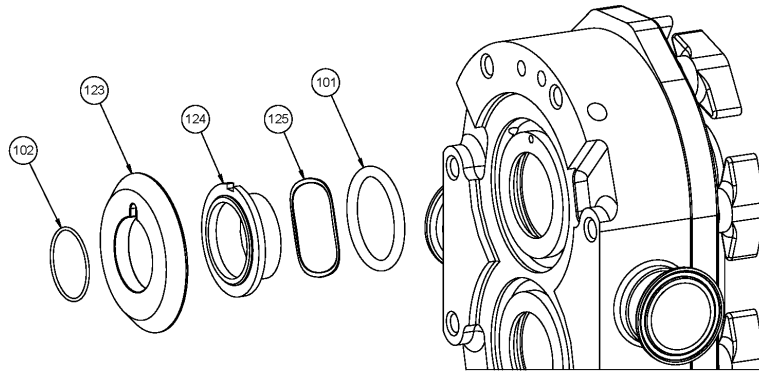
Ref #	Component Item No.	Description	Qty Per
26	P1GX000CENAIL	DRIVENAIL,ZP,GEAR CASE GUARDS	4
27	P1GX107187	GEAR TO REAR BEARING SPACER - ZP1 & ZP2 45/60/64/130/134	2
28	P1GX107186	REAR BEARING - ZP1 & ZP2 45/60/64/130/134	2
29	P1GX060055003	BEARING SPACER - ZP1 & ZP2 45/60/64/130/134	2
30	P1GX117891	SHIM KIT - ZP1 & ZP2 45/60/64/130/134	2
31	P1GX060036000	FRONT BEARING - ZP1 & ZP2 45/60/64/130/134	2
32	P1GX000037003	DRIVE KEY, 3/8" SQ. X 1-5/8" - ZP1 & ZP2 45/60/64/130/134	1
33	P1SX130008001	DRIVE SHAFT (17-4PH) - ZP1 130/134	1
34	P1SX130009001	SHORT SHAFT (17-4PH) - ZP1 130/134	1
36	P1SX121828	BEARING RETAINER, NEW STYLE 3A - ZP1 & ZP2 60/64/130/134	2
37	P1GX000030009-ND	GREASE SEAL, PTFE, FRONT BEARING RET. - ZP1 45/60/64/130/134	2
	<i>P1GX000030009</i>	<i>GREASE SEAL FRONT BEARING RET. - ZP1 45/60/64/130/134</i>	2
38	GX5077200	CAPSCRW,HX,3/8-16X1-1/4,18-8SS HX HD	8
39	P1BDY130001000	BODY - ZP1 130	1
	<i>P1BDY130001F00</i>	<i>BODY - ZP1 130 - FLUSHED</i>	1
40	P1GX223126000	SEAL STOP PIN - ZP1 60/64/130/134/220/224	2
42	P1GX124582	DOWEL PIN - ZP1 & ZP2 45/60/64/130/134	1
43	P1GX124583	DOWEL PIN - ZP1 & ZP2 45/60/64/130/134	1
44	P1GX30-423	CAPSCRW,SH,5/16-18X4,18-8SS SCKT HD	2
45	P1RTB130010000	ROTOR TWIN BLADE - ALLOY 88 - ZP1 130	2
	<i>P1RTB13001000H</i>	<i>ROTOR TWIN BLADE - ALLOY 88 - ZP1 130 - HOT CLEARANCE</i>	2
	<i>P1RTB1300100HC</i>	<i>ROTOR TWIN BLADE - ALLOY 88 - ZP1 130 - HOT CHOCOLATE</i>	2
	<i>P1RTB130010200</i>	<i>ROTOR TWIN BLADE - 316L - ZP1 130</i>	2
	<i>P1RSW130010010</i>	<i>ROTOR SINGLE WING - ALLOY 88 - ZP1 130 - STRAIGHT</i>	1
	<i>P1RSW130010090</i>	<i>ROTOR SINGLE WING - ALLOY 88 - ZP1 130 - 90°</i>	1
46	P1SX060052001	ROTOR JAM NUT - ZP1 60/64/130/134	4
47	N70272	O-RING, COVER (BUNA) - ZP1 45/60/64/130/134	1



Exploded View

Optional Items Shown in ITALICS

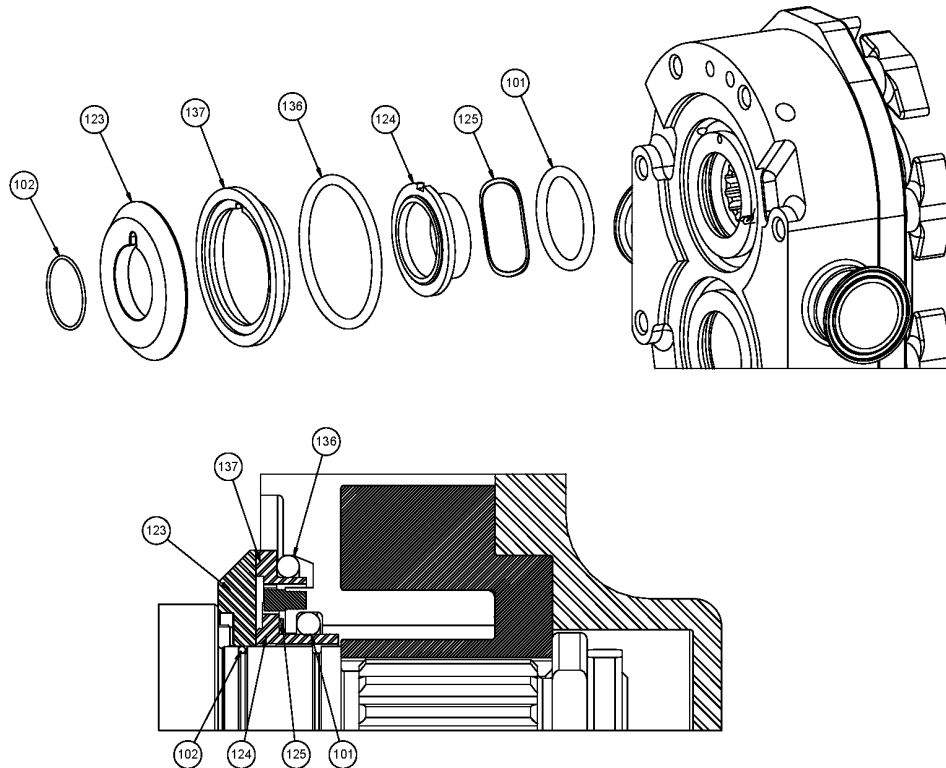
Ref #	Component Item No.	Description	Qty Per
47	<i>S75272</i>	<i>O-RING, COVER (SILICONE) - ZP1 45/60/64/130/134</i>	1
	<i>V70272</i>	<i>O-RING, COVER (VITON) - ZP1 45/60/64/130/134</i>	1
	<i>E70272</i>	<i>O-RING, COVER (EPDM) - ZP1 45/60/64/130/134</i>	1
48	P1CVRCD0002S00	COVER - ZP1 60/64/130/134	1
	<i>P1CVRCD0002J10</i>	<i>COVER, JACKETED - ZP1 60/64/130/134</i>	1
49	P1GX105852	WING NUT - ZP1 & ZP2 45/60/64/130/134	8
	<i>P1SX108371</i>	<i>COVER HEX NUT - ZP1 & ZP2 45/60/64/130/134</i>	8
62	P1SX070SPLATE	BEARING RETAINER SPLASH PLATE - ZP1 45/60/64/130/134	2
900	P1GXAD0096001	PICK,COMBO,O-RING ZP1 ZP2	1
901	P1GX000140003	OIL,460FG,MAGNAPLT,1GAL ZP	1
902	P1GX000140002	GREASE,HALO GUARD,14OZ TUBE ZP	1
903	P1GXRTVSEAL	SILICONE,DOW,732,30Z ZP1 ZP2	1
904	P1GX109897	WRENCH,60-134,RTR NUT ZP1	1



Single Mechanical Seal

Optional Items Shown in ITALICS

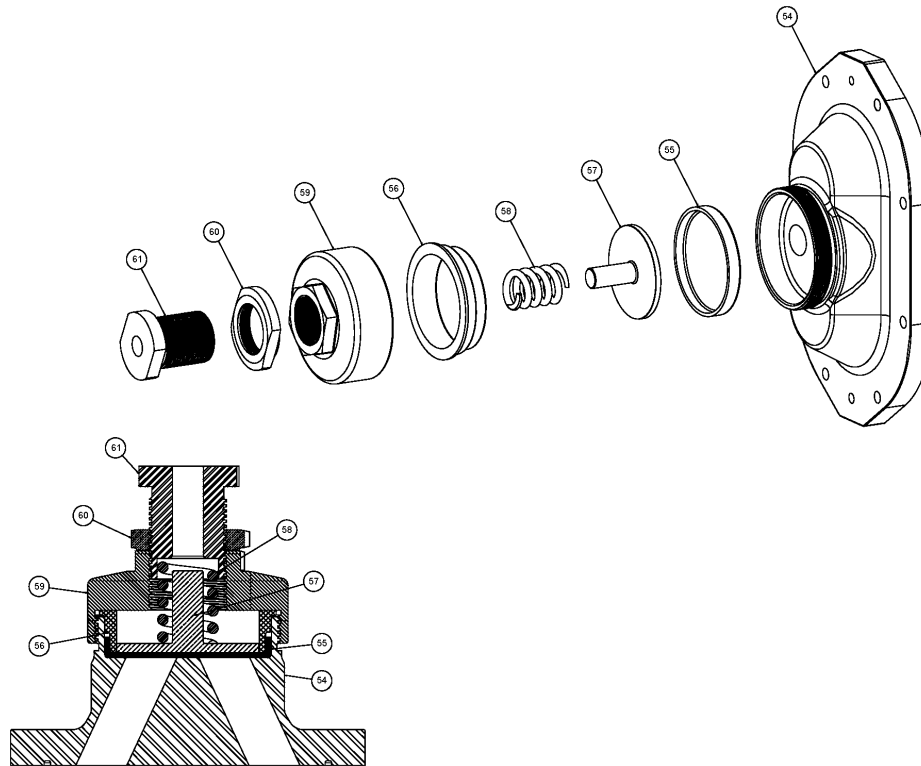
Ref #	Component Item No.	Description	Qty Per
101	N70331	O-RING, BODY (BUNA) - ZP1 60/64/130/134	2
	<i>E70331</i>	<i>O-RING, BODY (EPDM) - ZP1 60/64/130/134</i>	2
	<i>V70331</i>	<i>O-RING, BODY (VITON) - ZP1 60/64/130/134</i>	2
	<i>S75331</i>	<i>O-RING, BODY (SILICONE) - ZP1 60/64/130/134</i>	2
102	N70131	O-RING, SHAFT (BUNA) - ZP1 60/64/130/134	2
	<i>E70131</i>	<i>O-RING, SHAFT (EPDM) - ZP1 60/64/130/134</i>	2
	<i>V70131</i>	<i>O-RING, SHAFT (VITON) - ZP1 60/64/130/134</i>	2
	<i>S75131</i>	<i>O-RING, SHAFT (SILICONE) - ZP1 60/64/130/134</i>	2
123	P1GS060014009	SEAL SEAT (C) ZP1 60/64/130/134	2
	<i>P1GS060014002</i>	<i>SEAL SEAT (K) ZP1 60/64/130/134</i>	2
	<i>P1GS060014001</i>	<i>SEAL SEAT (CO) ZP1 60/64/130/134</i>	2
124	P1GS060306007	SEAL INNER (N) ZP1 60/64/130/134	2
	<i>P1GS40642</i>	<i>SEAL INNER (K) ZP1 60/64/130/134</i>	2
	<i>P1GS060306009</i>	<i>SEAL INNER (C) ZP1 60/64/130/134</i>	2
	<i>P1GS060306002</i>	<i>SEAL SEAT (CO) ZP1 60/64/130/134</i>	2
125	P1GS060304000	INNER SEAL WAVE SPRING - ZP1 60/64/130/134	2



Double Mechanical Seal

Optional Items Shown in ITALICS

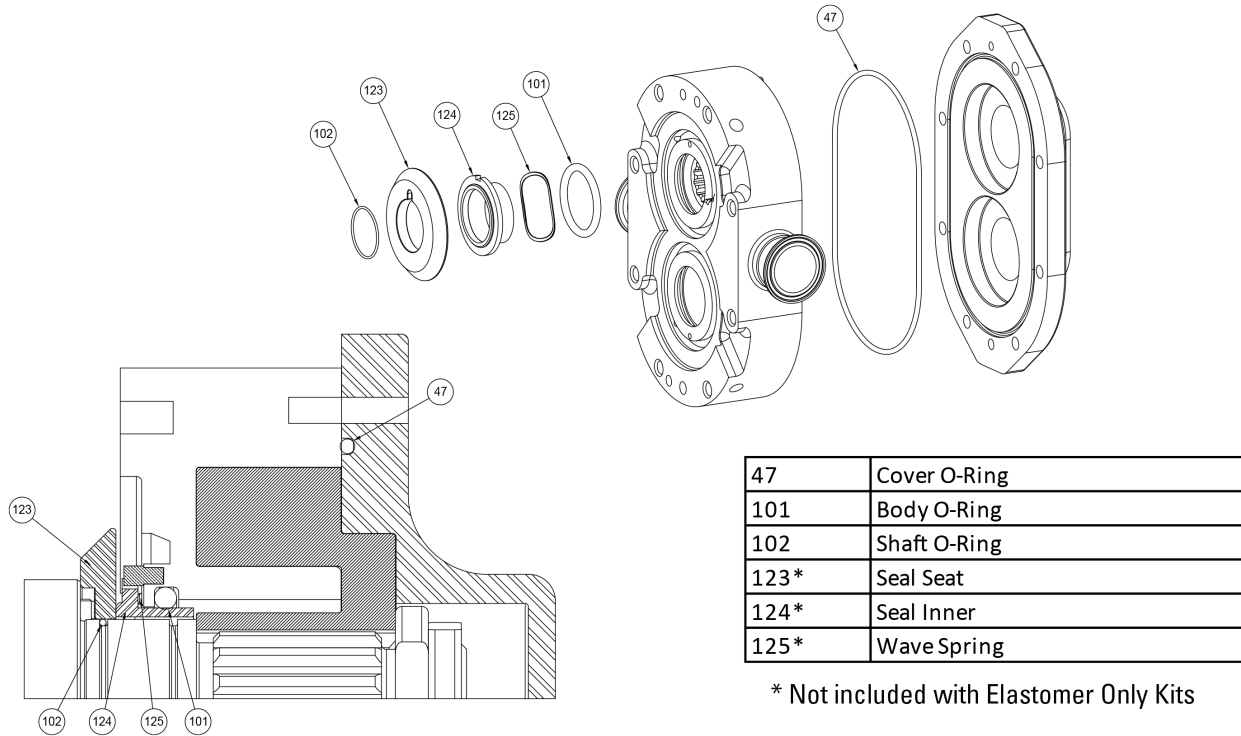
Ref #	Component Item No.	Description	Qty Per
101	N70331	O-RING, BODY (BUNA) - ZP1 60/64/130/134	2
	<i>E70331</i>	<i>O-RING, BODY (EPDM) - ZP1 60/64/130/134</i>	2
	<i>V70331</i>	<i>O-RING, BODY (VITON) - ZP1 60/64/130/134</i>	2
	<i>S75331</i>	<i>O-RING, BODY (SILICONE) - ZP1 60/64/130/134</i>	2
102	N70131	O-RING, SHAFT (BUNA) - ZP1 60/64/130/134	2
	<i>E70131</i>	<i>O-RING, SHAFT (EPDM) - ZP1 60/64/130/134</i>	2
	<i>V70131</i>	<i>O-RING, SHAFT (VITON) - ZP1 60/64/130/134</i>	2
	<i>S75131</i>	<i>O-RING, SHAFT (SILICONE) - ZP1 60/64/130/134</i>	2
123	P1GS060014009	SEAL SEAT (C) ZP1 60/64/130/134	2
	<i>P1GS060014002</i>	<i>SEAL SEAT (K) ZP1 60/64/130/134</i>	2
	<i>P1GS060014001</i>	<i>SEAL SEAT (CO) ZP1 60/64/130/134</i>	2
124	P1GS060306007	SEAL INNER (N) ZP1 60/64/130/134	2
	<i>P1GS40642</i>	<i>SEAL INNER (K) ZP1 60/64/130/134</i>	2
	<i>P1GS060306009</i>	<i>SEAL INNER (C) ZP1 60/64/130/134</i>	2
	<i>P1GS060306002</i>	<i>SEAL SEAT (CO) ZP1 60/64/130/134</i>	2
125	P1GS060304000	INNER SEAL WAVE SPRING - ZP1 60/64/130/134	2
136	N50338	O-RING, OUTER SEAL (BUNA) - ZP1 60/64/130/134	2
	<i>E50338</i>	<i>O-RING, OUTER SEAL (EPDM) - ZP1 60/64/130/134</i>	2
	<i>V50338</i>	<i>O-RING, OUTER SEAL (VITON) - ZP1 60/64/130/134</i>	2
137	P1GS060206007	OUTER SEAL (N) ZP1 60/64/130/134	2
	<i>P1GS060206002</i>	<i>OUTER SEAL (CO) ZP1 60/64/130/134</i>	2



Pressure Relief Cover

Optional Items Shown in ITALICS

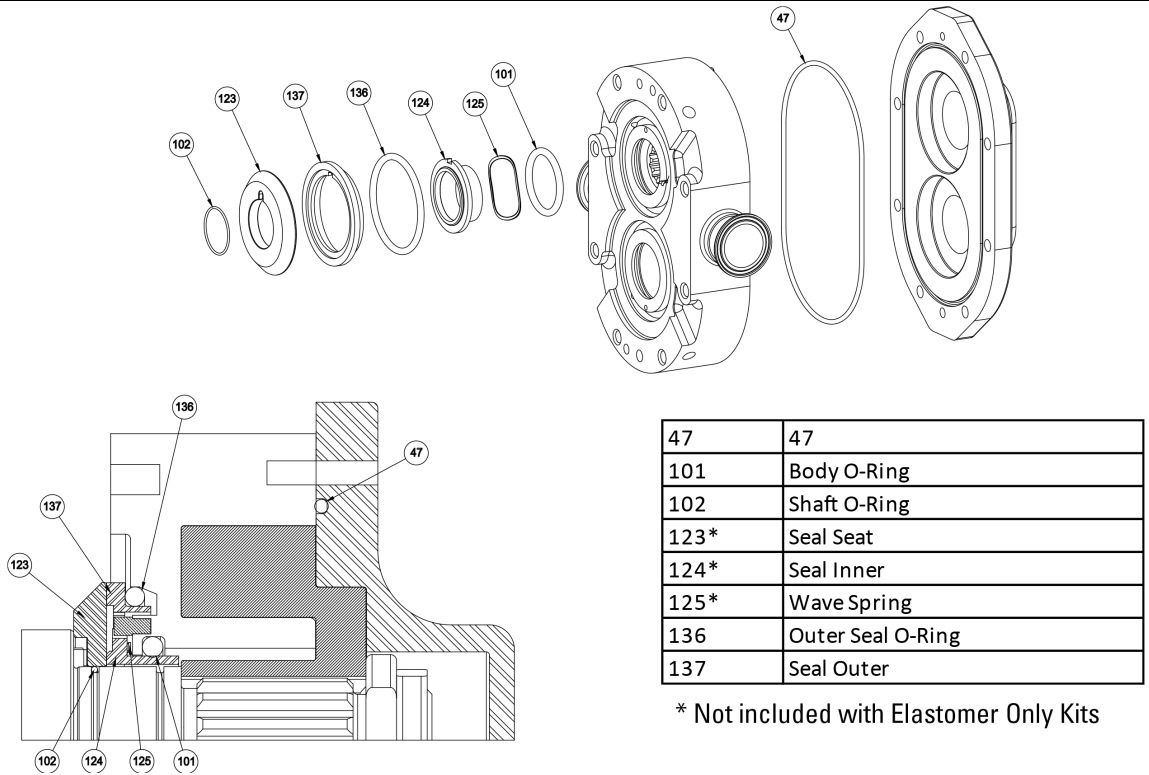
Ref #	Component Item No.	Description	Qty Per
54	P1CVRCD0002VS0	VENTED FRONT COVER, ZP1 - 60/64/130/134	1
55	P1GXCD0078000	RUBBER DIAPHRAGM, BUNA, ZP1 & ZP2 & ZP3 - 60/64/130/134	1
	<i>P1GXCD0078E00</i>	<i>RUBBER DIAPHRAGM, EPDM, ZP1 & ZP2 & ZP3 - 60/64/130/134</i>	1
	<i>P1GXCD0078V00</i>	<i>RUBBER DIAPHRAGM, VITON, ZP1 & ZP2 & ZP3 - 60/64/130/134</i>	1
56	P1SXCD0077000	DIAPHRAGM BUSHING, ZP1 & ZP2 & ZP3 - 60/64/130/134	1
57	P1SX113397	SPRING PLUNGER, ZP1 & ZP2 & ZP3 - 60/64/130/134	1
58	P1SX113523	SPRING, MEDIUM, (LESS THAN 150 PSI), ZP1 & ZP2 & ZP3 - 60/64/130/134	1
	<i>P1SX113400</i>	<i>SPRING, HIGH, (MORE THAN 150 PSI), ZP1 & ZP2 & ZP3 - 60/64/130/134</i>	1
59	P1SX113398	COVER NUT, ZP1 & ZP2 & ZP3 - 60/64/130/134	1
60	P1SXGD0074000	LOCKNUT, ZP1 & ZP2 & ZP3 - 60/64/130/134/180/184/220/224	1
61	P1SX113657	ADJUSTING SCREW, ZP1 & ZP2 & ZP3 - 60/64/130/134/180/184/220/224	1



Single Mechanical Seal Kit

Optional Items Shown in ITALICS

Ref #	Component Item No.	Description	Qty Per
1	P1GX060000-N	SEAL KIT, SGL MECH, ELASTOMERS ONLY, BUNA - ZP1 60/64/130/134	1
	<i>P1GX060000-E</i>	<i>SEAL KIT, SGL MECH, ELASTOMERS ONLY, EPDM - ZP1 60/64/130/134</i>	<i>1</i>
	<i>P1GX060000-V</i>	<i>SEAL KIT, SGL MECH, ELASTOMERS ONLY, VITON - ZP1 60/64/130/134</i>	<i>1</i>
2	P1GS060000-N	SEAL KIT, SGL MECH, SC/CA, BUNA - ZP1 60/64/130/134	1
	<i>P1GS060000-E</i>	<i>SEAL KIT, SGL MECH, SC/CA, EPDM - ZP1 60/64/130/134</i>	<i>1</i>
	<i>P1GS060000-V</i>	<i>SEAL KIT, SGL MECH, SC/CA, VITON - ZP1 60/64/130/134</i>	<i>1</i>
3	P1GS060020-N	SEAL KIT, SGL MECH, CE/CA, BUNA - ZP1 60/64/130/134	1
	<i>P1GS060020-E</i>	<i>SEAL KIT, SGL MECH, CE/CA, EPDM - ZP1 60/64/130/134</i>	<i>1</i>
	<i>P1GS060020-V</i>	<i>SEAL KIT, SGL MECH, CE/CA, VITON - ZP1 60/64/130/134</i>	<i>1</i>
4	<i>P1GS060030-E</i>	<i>SEAL KIT, SGL MECH, CE/CE, EPDM - ZP1 60/64/130/134</i>	<i>1</i>
	<i>P1GS060030-V</i>	<i>SEAL KIT, SGL MECH, CE/CE, VITON - ZP1 60/64/130/134</i>	<i>1</i>
5	P1GS060010-N	SEAL KIT, SGL MECH, SC/SC, BUNA - ZP1 60/64/130/134	1
	<i>P1GS060010-E</i>	<i>SEAL KIT, SGL MECH, SC/SC, EPDM - ZP1 60/64/130/134</i>	<i>1</i>
	<i>P1GS060010-V</i>	<i>SEAL KIT, SGL MECH, SC/SC, VITON - ZP1 60/64/130/134</i>	<i>1</i>



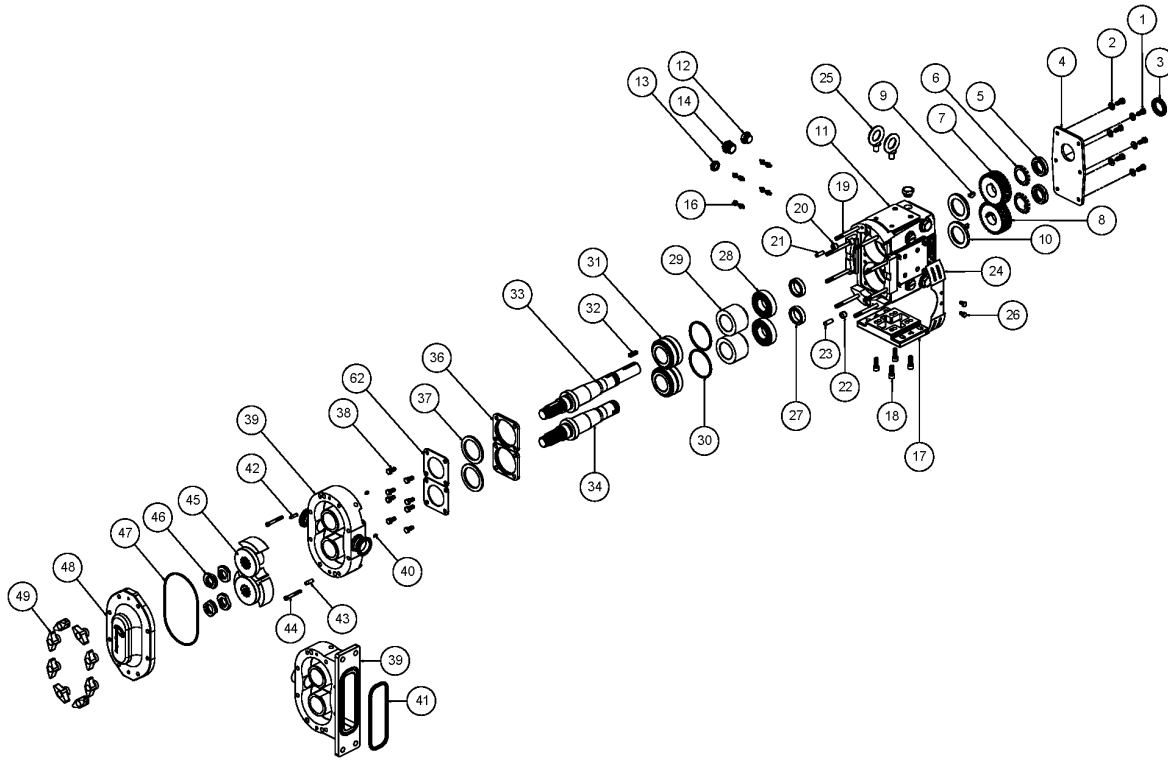
47	47
101	Body O-Ring
102	Shaft O-Ring
123*	Seal Seat
124*	Seal Inner
125*	Wave Spring
136	Outer Seal O-Ring
137	Seal Outer

* Not included with Elastomer Only Kits

Double Mechanical Seal Kit

Optional Items Shown in ITALICS

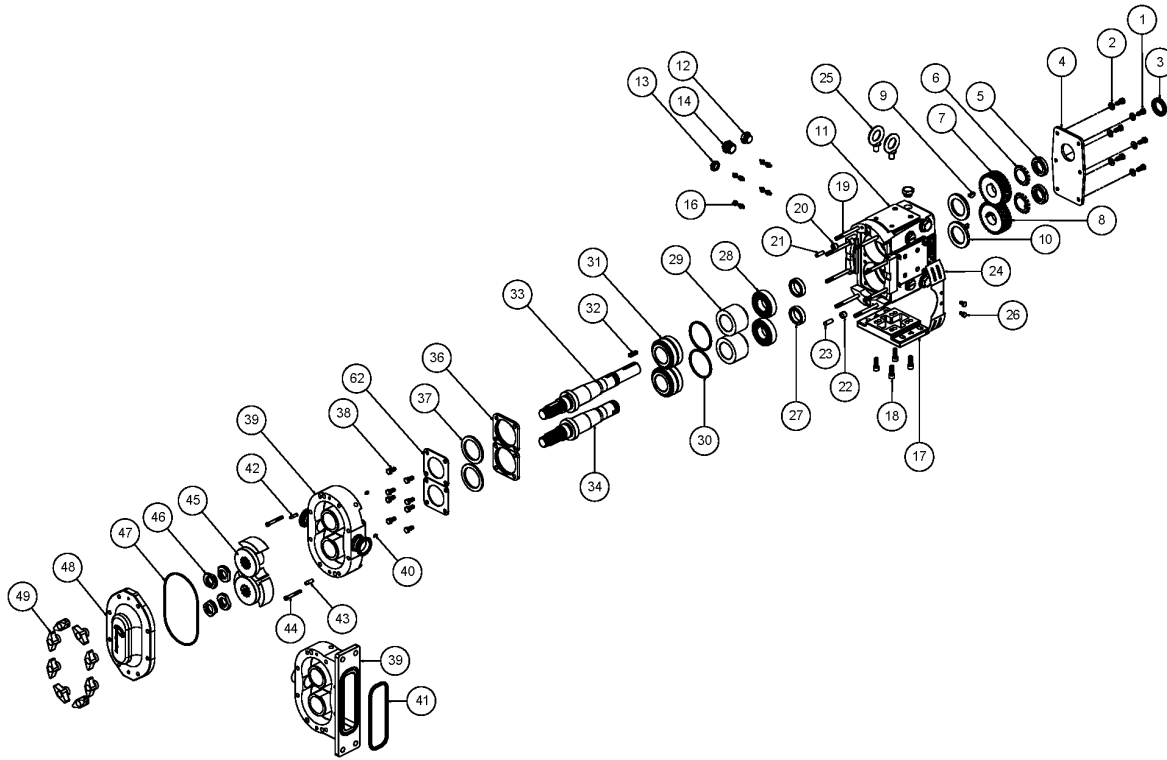
Ref #	Component Item No.	Description	Qty Per
1	P1GX060200-N	SEAL KIT, DBL MECH, ELASTOMERS ONLY, BUNA - ZP1 60/64/130/134	1
	<i>P1GX060200-E</i>	<i>SEAL KIT, DBL MECH, ELASTOMERS ONLY, EPDM - ZP1 60/64/130/134</i>	<i>1</i>
	<i>P1GX060200-V</i>	<i>SEAL KIT, DBL MECH, ELASTOMERS ONLY, VITON - ZP1 60/64/130/134</i>	<i>1</i>
2	P1GS060200-N	SEAL KIT, DBL MECH, SC/CA/CA, BUNA - ZP1 60/64/130/134	1
	<i>P1GS060200-E</i>	<i>SEAL KIT, DBL MECH, SC/CA/CA, EPDM - ZP1 60/64/130/134</i>	<i>1</i>
	<i>P1GS060200-V</i>	<i>SEAL KIT, DBL MECH, SC/CA/CA, VITON - ZP1 60/64/130/134</i>	<i>1</i>
3	P1GS060220-N	SEAL KIT, DBL MECH, CE/CA/CA, BUNA - ZP1 60/64/130/134	1
	<i>P1GS060220-E</i>	<i>SEAL KIT, DBL MECH, CE/CA/CA, EPDM - ZP1 60/64/130/134</i>	<i>1</i>
	<i>P1GS060220-V</i>	<i>SEAL KIT, DBL MECH, CE/CA/CA, VITON - ZP1 60/64/130/134</i>	<i>1</i>
4	P1GS060230-N	SEAL KIT, DBL MECH, CE/CE/CA, BUNA - ZP1 60/64/130/134	1
5	P1GS060210-N	SEAL KIT, DBL MECH, SC/SC/CA, BUNA - ZP1 60/64/130/134	1
	<i>P1GS060210-E</i>	<i>SEAL KIT, DBL MECH, SC/SC/CA, EPDM - ZP1 60/64/130/134</i>	<i>1</i>
	<i>P1GS060210-V</i>	<i>SEAL KIT, DBL MECH, SC/SC/CA, VITON - ZP1 60/64/130/134</i>	<i>1</i>



Exploded View

Optional Items Shown in ITALICS

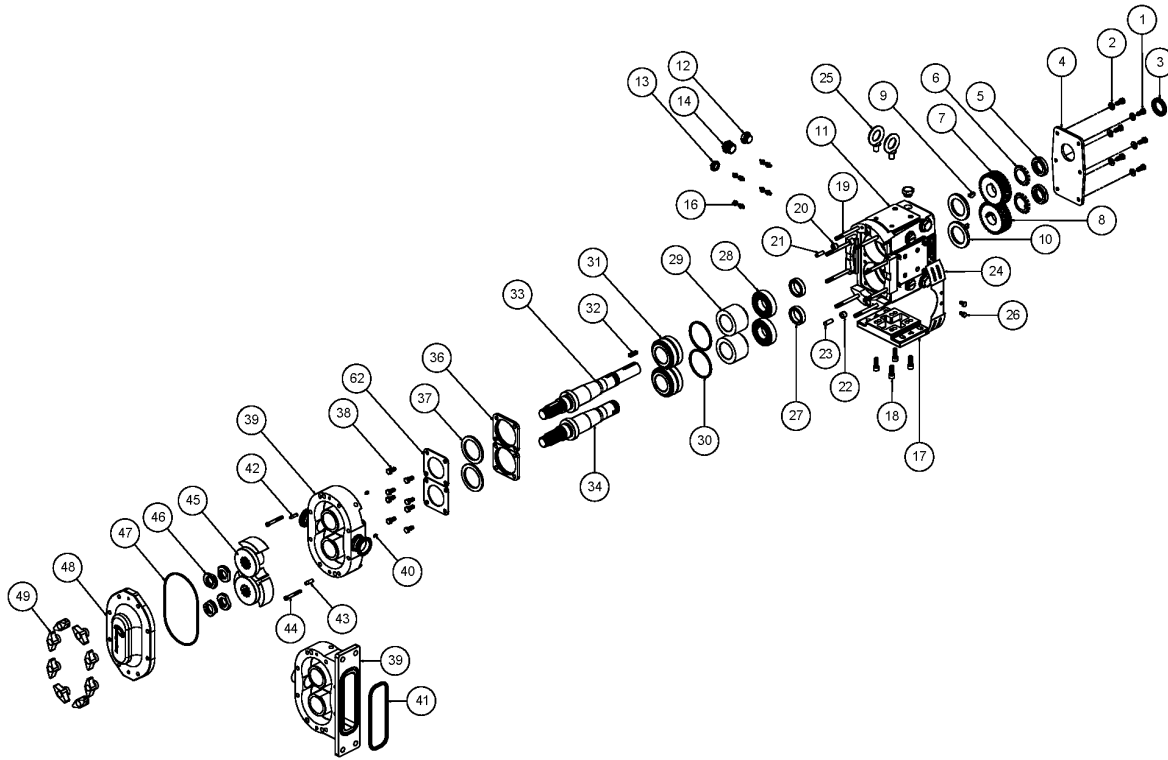
Ref #	Component Item No.	Description	Qty Per
1	P1GX30-50	GEAR CASE COVER BOLT - 3/8-16 X 3/4 HHCS (18-8 SS)	6
2	P1GX43-189	GEAR CASE COVER WASHER - 3/8 FLAT WASHER (18-8 SS)	6
3	P1GX000030012-ND	OIL SEAL, PTFE, GEAR CASE COVER - ZP1 & ZP2 45/60/64/130/134	1
	<i>P1GX000030012</i>	<i>OIL SEAL, GEAR CASE COVER - ZP1 & ZP2 45/60/64/130/134</i>	1
4	P1SX070106000	GEAR CASE COVER, SS - ZP1 & ZP2 45/60/64/130/134	1
5	P1GXSTD236009	GEAR LOCKNUT ZP1 & ZP2 45/60/64/130/134	2
6	P1GXSTD136009	GEAR LOCKWASHER ZP1 & ZP2 45/60/64/130/134	2
7	P1GX060007001	GEAR DRIVE SHAFT ZP1 & ZP2 45/60/64/130/134	1
8	P1GX060007002	GEAR SHORT SHAFT ZP1 & ZP2 45/60/64/130/134	1
9	P1GX060037000	GEAR KEY - ZP1 & ZP2 45/60/64/130/134	2
10	P1GX000030011	OIL SEAL REAR - ZP1 & ZP2 45/60/64/130/134	2
11	P1SX070005000	GEAR CASE, SS - ZP1 & ZP2 45/60/64/130/134	1
12	P1GX115798	PLUG,HEX,20M X1.5,W/NBR SEAL	5
13	P1GX115799	GAUGE,OIL,LVL,INDIC,M-20X1.5	1
14	P1GX70PLUG-SS	CLEAN OUT PLUG, SS - ZP1 & ZP2 45/60/64/130/134	4
	<i>P1GX70PLUG</i>	<i>CLEAN OUT PLUG, YELLOW - ZP1 & ZP2 45/60/64/130/134</i>	4
16	P1GXBD0092001	GREASE FITTING, THREADED 1/4"-28 TAPER, SS	8
17	P1SX070110000	GEAR CASE BASE, SS - ZP1 & ZP2 45/60/64/130/134	1
18	P1GX60SHCSGCB	SHCS, G. CASE BASE, (18-8 SS) 1/2-13 X 1.5" ZP1 & ZP2 60/130	4
19	P1GX130011001	STUD, ZP1 130	8
20	P1GXCD0116000	UPPER DOWEL BUSHING - ZP1 & ZP2 45/60/64/130/134/180/220/224	1
21	P1GX124584	DOWEL PIN - ZP1 & ZP2 45/60/64/130/134	1
22	P1GXCD0116100	LOWER DOWEL BUSHING - ZP1 & ZP2 45/60/64/130/134/180/220/224	1
23	P1GX124586	DOWEL PIN - ZP1 & ZP2 45/60/64/130/134	1
24	P1SX070CEGUARD	GUARD,45-134,(CE),GC,SS	2
25	P1GXEYEBOLT-SS	EYE BOLT,60-224,SS	2
26	P1GX000CENAIL	DRIVENAIL,ZP,GEAR CASE GUARDS	4



Exploded View

Optional Items Shown in ITALICS

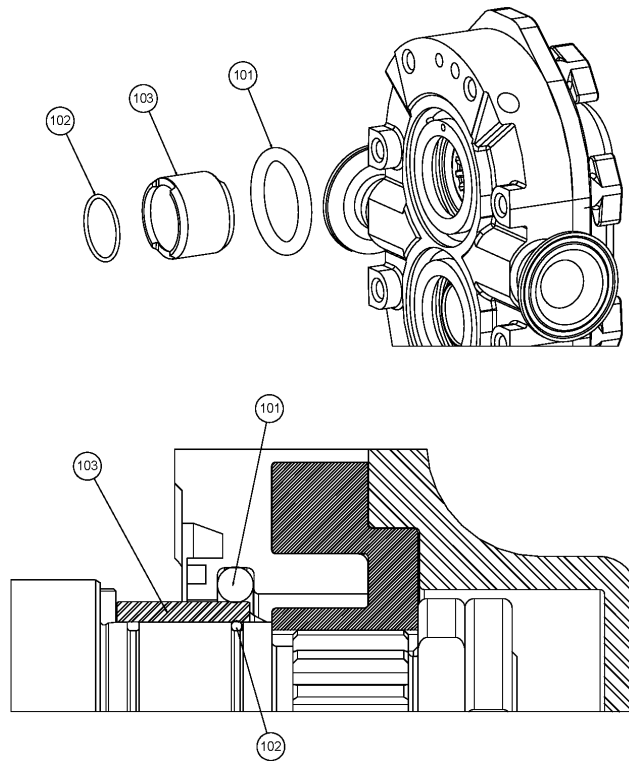
Ref #	Component Item No.	Description	Qty Per
27	P1GX107187	GEAR TO REAR BEARING SPACER - ZP1 & ZP2 45/60/64/130/134	2
28	P1GX107186	REAR BEARING - ZP1 & ZP2 45/60/64/130/134	2
29	P1GX060055003	BEARING SPACER - ZP1 & ZP2 45/60/64/130/134	2
30	P1GX117891	SHIM KIT - ZP1 & ZP2 45/60/64/130/134	2
31	P1GX060036000	FRONT BEARING - ZP1 & ZP2 45/60/64/130/134	2
32	P1GX000037003	DRIVE KEY, 3/8" SQ. X 1-5/8" - ZP1 & ZP2 45/60/64/130/134	1
33	P1SX130008001	DRIVE SHAFT (17-4PH) - ZP1 130/134	1
34	P1SX130009001	SHORT SHAFT (17-4PH) - ZP1 130/134	1
36	P1SX121828	BEARING RETAINER, NEW STYLE 3A - ZP1 & ZP2 60/64/130/134	2
37	P1GX000030009-ND	GREASE SEAL, PTFE, FRONT BEARING RET. - ZP1 45/60/64/130/134	2
	<i>P1GX000030009</i>	<i>GREASE SEAL FRONT BEARING RET. - ZP1 45/60/64/130/134</i>	2
38	GX5077200	CAPSCRW,HX,3/8-16X1-1/4,18-8SS HX HD	8
39	P1BDY130001000	BODY - ZP1 130	1
	<i>P1BDY130001F00</i>	<i>BODY - ZP1 130 - FLUSHED</i>	1
40	P1GX223126000	SEAL STOP PIN - ZP1 60/64/130/134/220/224	2
42	P1GX124582	DOWEL PIN - ZP1 & ZP2 45/60/64/130/134	1
43	P1GX124583	DOWEL PIN - ZP1 & ZP2 45/60/64/130/134	1
44	P1GX30-423	CAPSCRW,SH,5/16-18X4,18-8SS SCKT HD	2
45	P1RTB130010000	ROTOR TWIN BLADE - ALLOY 88 - ZP1 130	2
	<i>P1RTB13001000H</i>	<i>ROTOR TWIN BLADE - ALLOY 88 - ZP1 130 - HOT CLEARANCE</i>	2
	<i>P1RTB1300100HC</i>	<i>ROTOR TWIN BLADE - ALLOY 88 - ZP1 130 - HOT CHOCOLATE</i>	2
	<i>P1RTB130010200</i>	<i>ROTOR TWIN BLADE - 316L - ZP1 130</i>	2
	<i>P1RSW130010010</i>	<i>ROTOR SINGLE WING - ALLOY 88 - ZP1 130 - STRAIGHT</i>	1
	<i>P1RSW130010090</i>	<i>ROTOR SINGLE WING - ALLOY 88 - ZP1 130 - 90°</i>	1
46	P1SX060052001	ROTOR JAM NUT - ZP1 60/64/130/134	4
47	N70272	O-RING, COVER (BUNA) - ZP1 45/60/64/130/134	1
	<i>S75272</i>	<i>O-RING, COVER (SILICONE) - ZP1 45/60/64/130/134</i>	1



Exploded View

Optional Items Shown in ITALICS

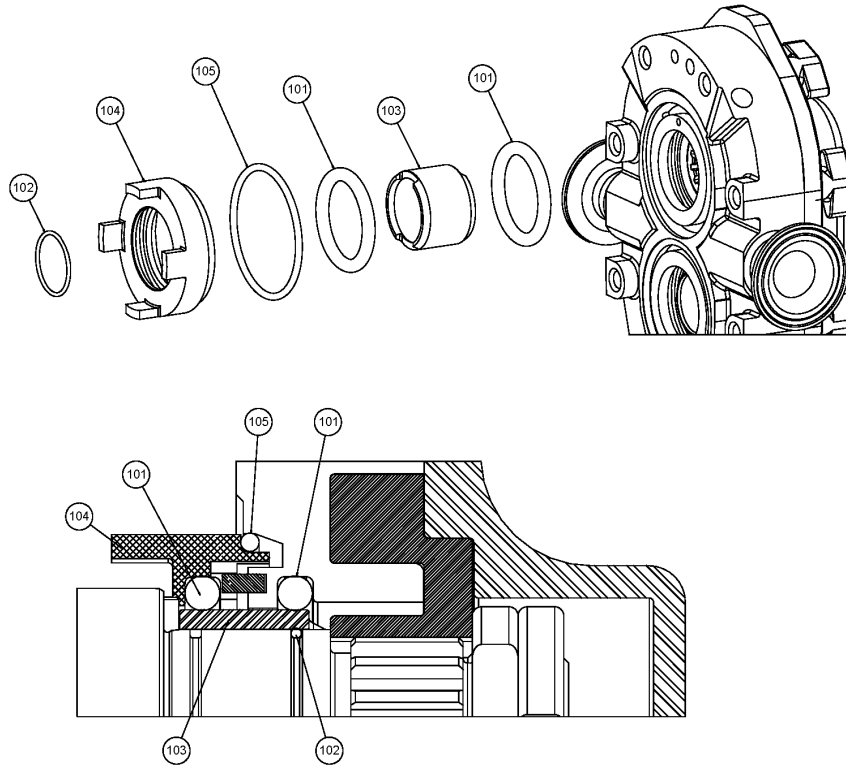
Ref #	Component Item No.	Description	Qty Per
47	V70272	O-RING, COVER (VITON) - ZP1 45/60/64/130/134	1
	E70272	O-RING, COVER (EPDM) - ZP1 45/60/64/130/134	1
48	P1CVRCD0002S00	COVER - ZP1 60/64/130/134	1
	<i>P1CVRCD0002J10</i>	<i>COVER, JACKETED - ZP1 60/64/130/134</i>	1
49	P1GX105852	WING NUT - ZP1 & ZP2 45/60/64/130/134	8
	<i>P1SX108371</i>	<i>COVER HEX NUT - ZP1 & ZP2 45/60/64/130/134</i>	8
62	P1SX070SPLATE	BEARING RETAINER SPLASH PLATE - ZP1 45/60/64/130/134	2
900	P1GXAD0096001	PICK,COMBO,O-RING ZP1 ZP2	1
901	P1GX000140003	OIL,460FG,MAGNAPLT,1GAL ZP	1
902	P1GX000140002	GREASE,HALO GUARD,14OZ TUBE ZP	1
903	P1GXRTVSEAL	SILICONE,DOW,732,30Z ZP1 ZP2	1
904	P1GX109897	WRENCH,60-134,RTR NUT ZP1	1



Single O-Ring Seal

Optional Items Shown in ITALICS

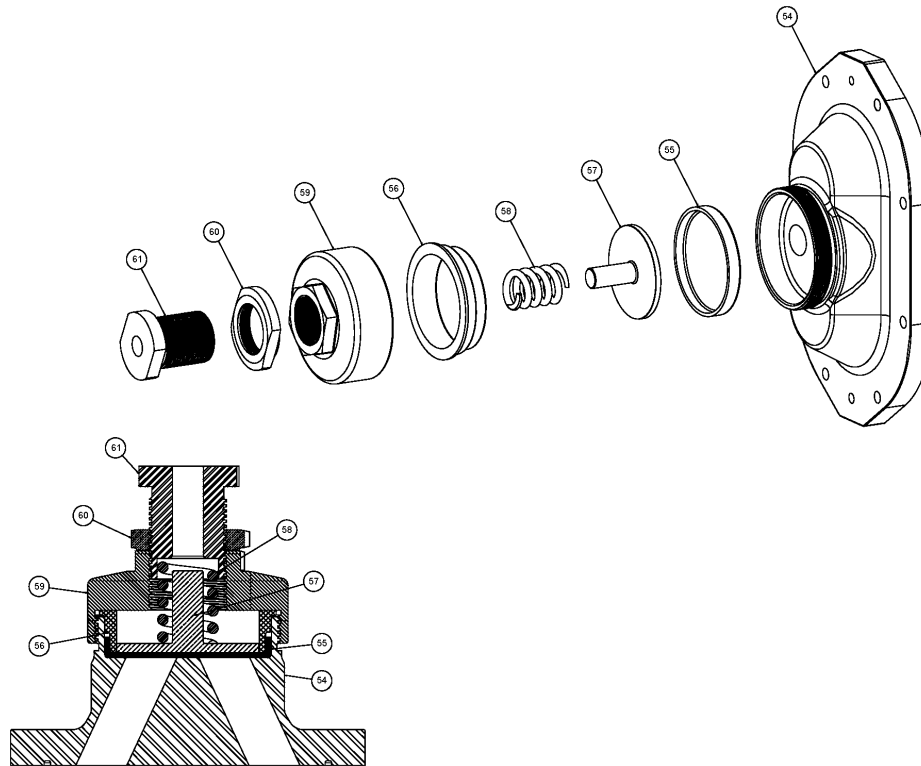
Ref #	Component Item No.	Description	Qty Per
101	N70331	O-RING, BODY (BUNA) - ZP1 60/64/130/134	2
	<i>E70331</i>	<i>O-RING, BODY (EPDM) - ZP1 60/64/130/134</i>	2
	<i>V70331</i>	<i>O-RING, BODY (VITON) - ZP1 60/64/130/134</i>	2
	<i>S75331</i>	<i>O-RING, BODY (SILICONE) - ZP1 60/64/130/134</i>	2
	102	N70131	O-RING, SHAFT (BUNA) - ZP1 60/64/130/134
102	<i>E70131</i>	<i>O-RING, SHAFT (EPDM) - ZP1 60/64/130/134</i>	2
	<i>V70131</i>	<i>O-RING, SHAFT (VITON) - ZP1 60/64/130/134</i>	2
	<i>S75131</i>	<i>O-RING, SHAFT (SILICONE) - ZP1 60/64/130/134</i>	2
	103	P1SX060098001	SLEEVE (17-4PH H900) ZP1 60/64/130/134 - SLOTTED
<i>P1SX060098004</i>		<i>ZIRCONIA SLEEVE - ZP1 60/64/130/134</i>	2
<i>P1SX060098002</i>		<i>CHROME OXIDE SLEEVE (316L) - ZP1 60/64/130/134</i>	2



Double O-Ring Seal

Optional Items Shown in ITALICS

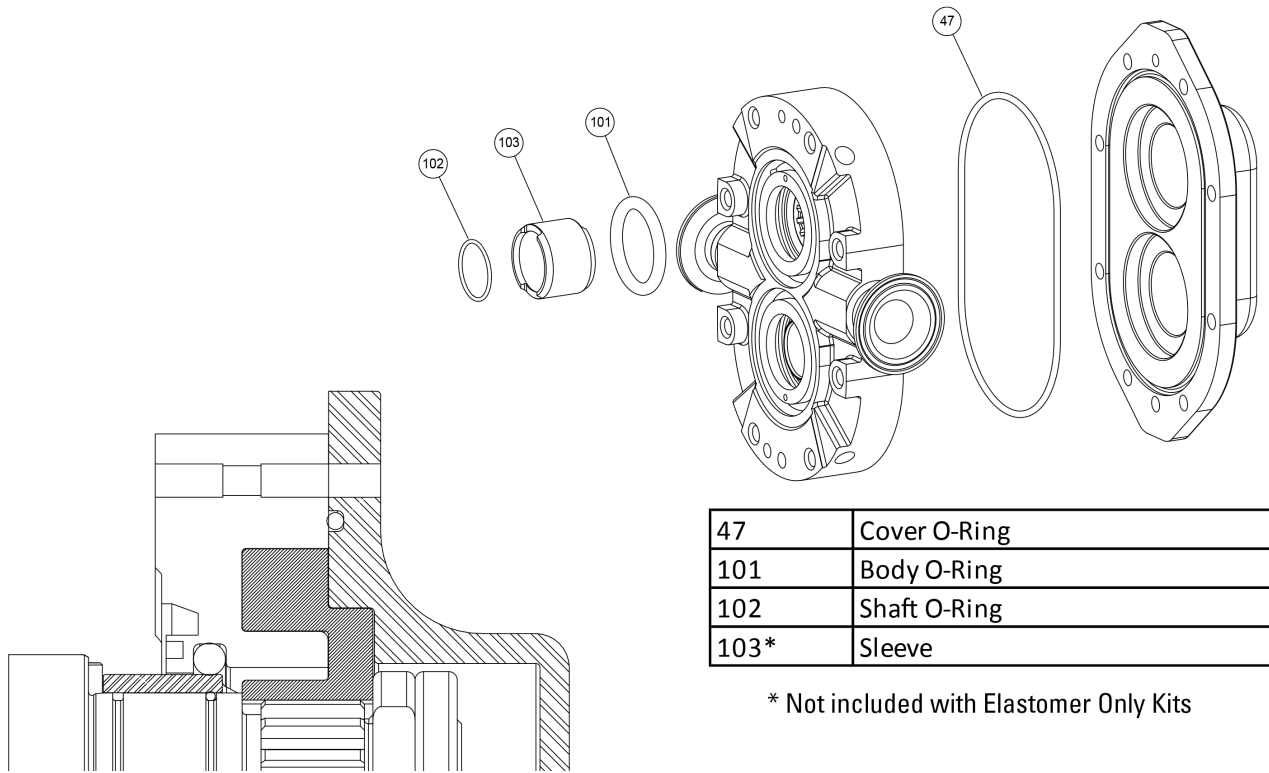
Ref #	Component Item No.	Description	Qty Per
101	N70331	O-RING, BODY (BUNA) - ZP1 60/64/130/134	4
	<i>E70331</i>	<i>O-RING, BODY (EPDM) - ZP1 60/64/130/134</i>	4
	<i>V70331</i>	<i>O-RING, BODY (VITON) - ZP1 60/64/130/134</i>	4
	<i>S75331</i>	<i>O-RING, BODY (SILICONE) - ZP1 60/64/130/134</i>	4
102	N70131	O-RING, SHAFT (BUNA) - ZP1 60/64/130/134	2
	<i>E70131</i>	<i>O-RING, SHAFT (EPDM) - ZP1 60/64/130/134</i>	2
	<i>V70131</i>	<i>O-RING, SHAFT (VITON) - ZP1 60/64/130/134</i>	2
	<i>S75131</i>	<i>O-RING, SHAFT (SILICONE) - ZP1 60/64/130/134</i>	2
103	P1SX060098001	SLEEVE (17-4PH H900) ZP1 60/64/130/134 - SLOTTED	2
	<i>P1SX060098004</i>	<i>ZIRCONIA SLEEVE - ZP1 60/64/130/134</i>	2
	<i>P1SX060098002</i>	<i>CHROME OXIDE SLEEVE (316L) - ZP1 60/64/130/134</i>	2
104	P1SX060034002	O-RING SEAL CARRIER, 3A NEW STYLE - ZP1 60/64/130/134	2
105	N50338	O-RING, OUTER SEAL (BUNA) - ZP1 60/64/130/134	2
	<i>E50338</i>	<i>O-RING, OUTER SEAL (EPDM) - ZP1 60/64/130/134</i>	2
	<i>V50338</i>	<i>O-RING, OUTER SEAL (VITON) - ZP1 60/64/130/134</i>	2



Pressure Relief Cover

Optional Items Shown in ITALICS

Ref #	Component Item No.	Description	Qty Per
54	P1CVRCD0002VS0	VENTED FRONT COVER, ZP1 - 60/64/130/134	1
55	P1GXCD0078000	RUBBER DIAPHRAGM, BUNA, ZP1 & ZP2 & ZP3 - 60/64/130/134	1
	<i>P1GXCD0078E00</i>	<i>RUBBER DIAPHRAGM, EPDM, ZP1 & ZP2 & ZP3 - 60/64/130/134</i>	1
	<i>P1GXCD0078V00</i>	<i>RUBBER DIAPHRAGM, VITON, ZP1 & ZP2 & ZP3 - 60/64/130/134</i>	1
56	P1SXCD0077000	DIAPHRAGM BUSHING, ZP1 & ZP2 & ZP3 - 60/64/130/134	1
57	P1SX113397	SPRING PLUNGER, ZP1 & ZP2 & ZP3 - 60/64/130/134	1
58	P1SX113523	SPRING, MEDIUM, (LESS THAN 150 PSI), ZP1 & ZP2 & ZP3 - 60/64/130/134	1
	<i>P1SX113400</i>	<i>SPRING, HIGH, (MORE THAN 150 PSI), ZP1 & ZP2 & ZP3 - 60/64/130/134</i>	1
59	P1SX113398	COVER NUT, ZP1 & ZP2 & ZP3 - 60/64/130/134	1
60	P1SXGD0074000	LOCKNUT, ZP1 & ZP2 & ZP3 - 60/64/130/134/180/184/220/224	1
61	P1SX113657	ADJUSTING SCREW, ZP1 & ZP2 & ZP3 - 60/64/130/134/180/184/220/224	1



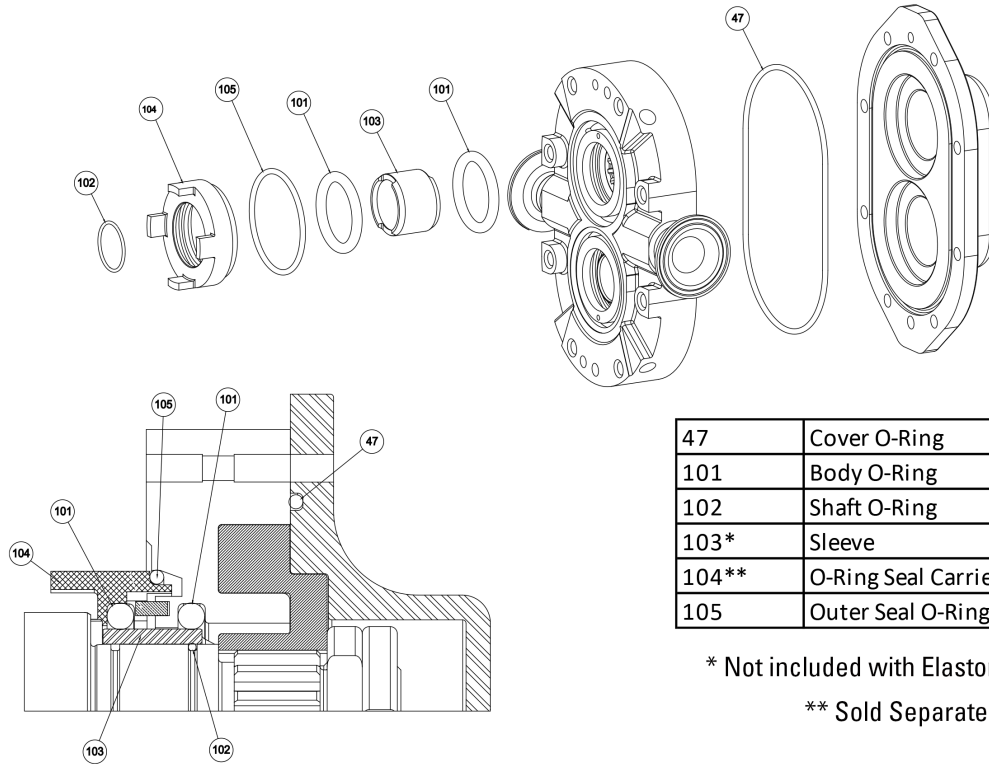
47	Cover O-Ring
101	Body O-Ring
102	Shaft O-Ring
103*	Sleeve

* Not included with Elastomer Only Kits

Single O-Ring Seal Kit

Optional Items Shown in ITALICS

Ref #	Component Item No.	Description	Qty Per
1	P1GX060000-N	SEAL KIT, SGL O-RING, ELASTOMERS ONLY, BUNA - ZP1 60/64/130/134	1
	<i>P1GX060000-E</i>	<i>SEAL KIT, SGL O-RING, ELASTOMERS ONLY, EPDM - ZP1 60/64/130/134</i>	<i>1</i>
	<i>P1GX060000-V</i>	<i>SEAL KIT, SGL O-RING, ELASTOMERS ONLY, VITON - ZP1 60/64/130/134</i>	<i>1</i>
2	P1GS06000S-N	SEAL KIT, SGL O-RING, 17-4 SS SLVS, BUNA - ZP1 60/64/130/134	1
	<i>P1GS06000S-E</i>	<i>SEAL KIT, SGL O-RING, 17-4 SS SLVS, EPDM - ZP1 60/64/130/134</i>	<i>1</i>
	<i>P1GS06000S-V</i>	<i>SEAL KIT, SGL O-RING, 17-4 SS SLVS, VITON - ZP1 60/64/130/134</i>	<i>1</i>
3	P1GS06000Z-N	SEAL KIT, SGL O-RING, ZIRCONIA SLVS, BUNA - ZP1 60/64/130/134	1
	<i>P1GS06000Z-E</i>	<i>SEAL KIT, SGL O-RING, ZIRCONIA SLVS, EPDM - ZP1 60/64/130/134</i>	<i>1</i>
	<i>P1GS06000Z-V</i>	<i>SEAL KIT, SGL O-RING, ZIRCONIA SLVS, VITON - ZP1 60/64/130/134</i>	<i>1</i>



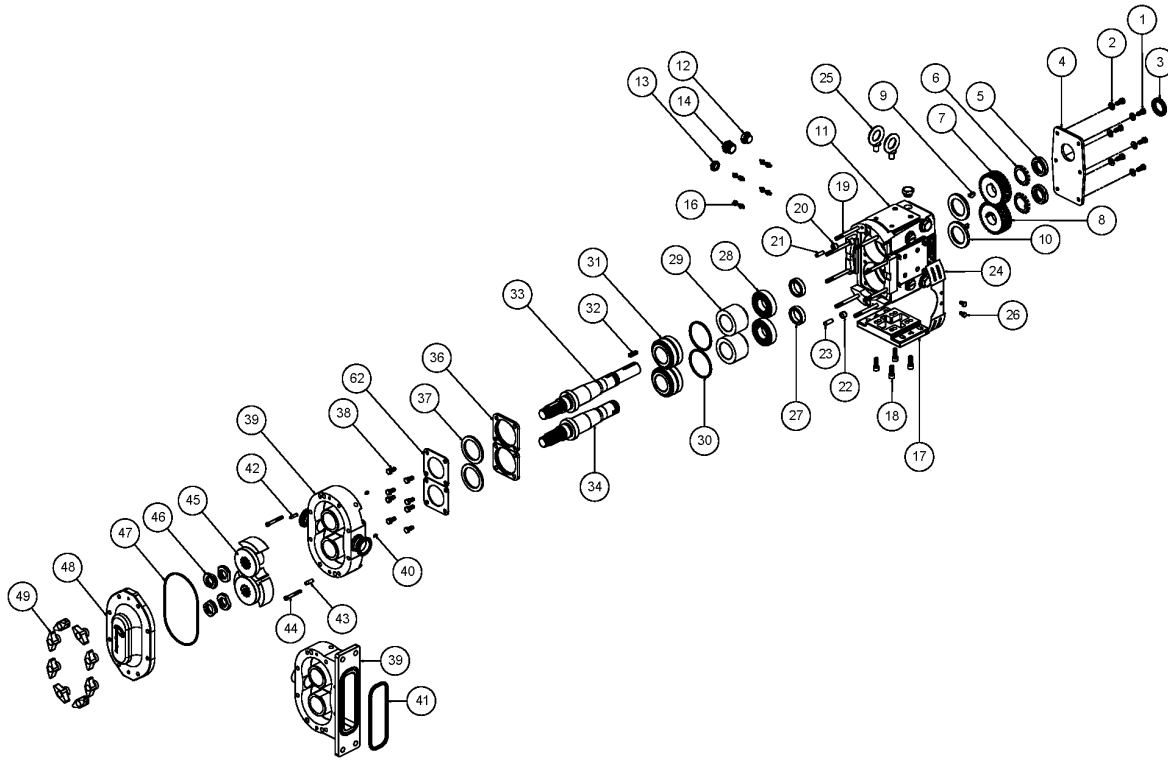
47	Cover O-Ring
101	Body O-Ring
102	Shaft O-Ring
103*	Sleeve
104**	O-Ring Seal Carrier
105	Outer Seal O-Ring

* Not included with Elastomer Only Kits
** Sold Separately

Double O-Ring Seal Kit

Optional Items Shown in ITALICS

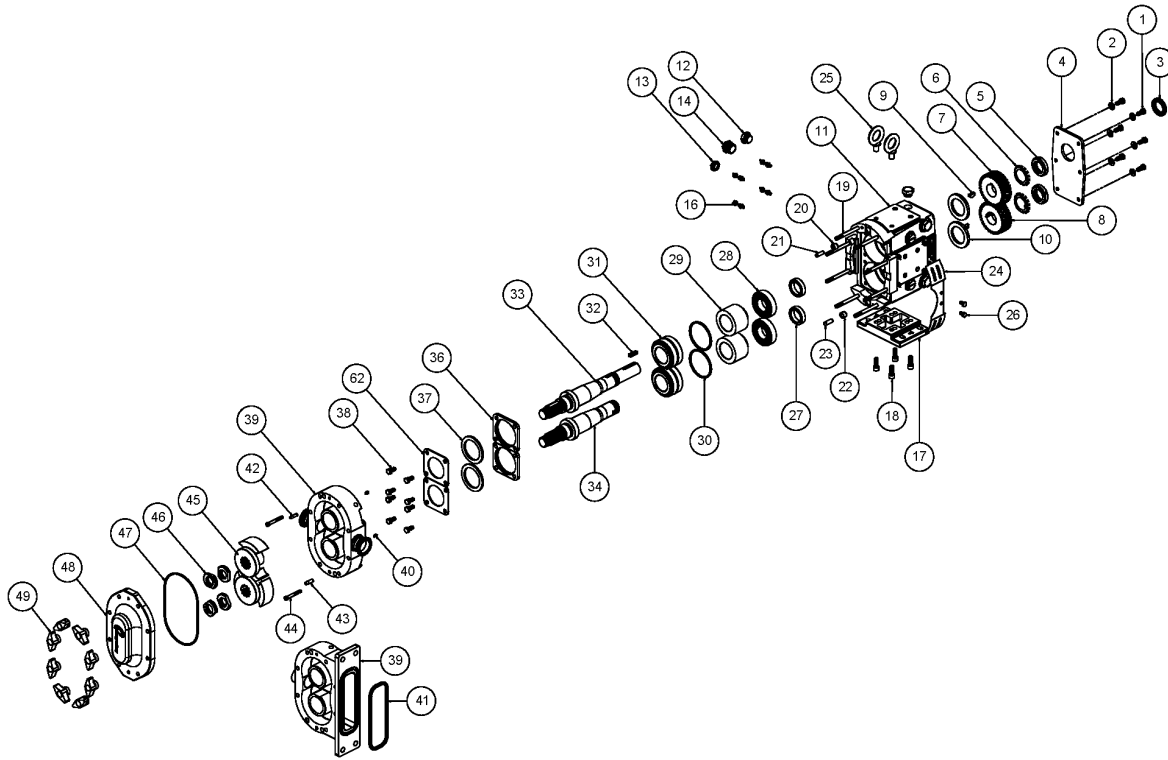
Ref #	Component Item No.	Description	Qty Per
1	P1GX060200-N	SEAL KIT, DBL O-RING, ELASTOMERS ONLY, BUNA - ZP1 60/64/130/134	1
	<i>P1GX060200-E</i>	<i>SEAL KIT, DBL O-RING, ELASTOMERS ONLY, EPDM - ZP1 60/64/130/134</i>	<i>1</i>
	<i>P1GX060200-V</i>	<i>SEAL KIT, DBL O-RING, ELASTOMERS ONLY, VITON - ZP1 60/64/130/134</i>	<i>1</i>
2	P1GS06020S-N	SEAL KIT, DBL O-RING, 17-4 SS SLVS, BUNA - ZP1 60/64/130/134	1
	<i>P1GS06020S-E</i>	<i>SEAL KIT, DBL O-RING, 17-4 SS SLVS, EPDM - ZP1 60/64/130/134</i>	<i>1</i>
	<i>P1GS06020S-V</i>	<i>SEAL KIT, DBL O-RING, 17-4 SS SLVS, VITON - ZP1 60/64/130/134</i>	<i>1</i>
3	P1GS06020Z-N	SEAL KIT, DBL O-RING, ZIRCONIA SLVS, BUNA - ZP1 60/64/130/134	1
	<i>P1GS06020Z-E</i>	<i>SEAL KIT, DBL O-RING, ZIRCONIA SLVS, EPDM - ZP1 60/64/130/134</i>	<i>1</i>
	<i>P1GS06020Z-V</i>	<i>SEAL KIT, DBL O-RING, ZIRCONIA SLVS, VITON - ZP1 60/64/130/134</i>	<i>1</i>



Exploded View

Optional Items Shown in ITALICS

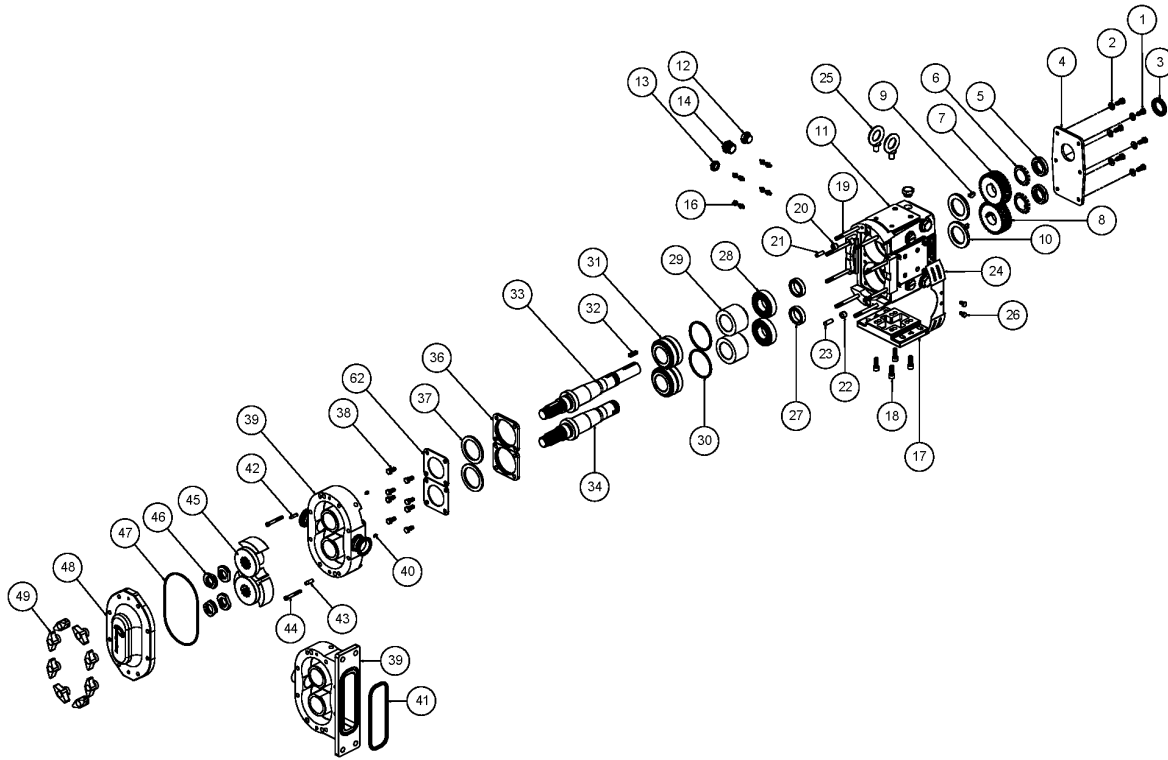
Ref #	Component Item No.	Description	Qty Per
1	P1GX060200-N	SEAL KIT, DBL MECH, ELASTOMERS ONLY, BUNA - ZP1 60/64/130/134	1
	P1GX30-50	GEAR CASE COVER BOLT - 3/8-16 X 3/4 HHCS (18-8 SS)	6
	<i>P1GX060200-E</i>	<i>SEAL KIT, DBL MECH, ELASTOMERS ONLY, EPDM - ZP1 60/64/130/134</i>	<i>1</i>
	<i>P1GX060200-V</i>	<i>SEAL KIT, DBL MECH, ELASTOMERS ONLY, VITON - ZP1 60/64/130/134</i>	<i>1</i>
2	P1GS060200-N	SEAL KIT, DBL MECH, SC/CA/CA, BUNA - ZP1 60/64/130/134	1
	P1GX43-189	GEAR CASE COVER WASHER - 3/8 FLAT WASHER (18-8 SS)	6
	<i>P1GS060200-E</i>	<i>SEAL KIT, DBL MECH, SC/CA/CA, EPDM - ZP1 60/64/130/134</i>	<i>1</i>
	<i>P1GS060200-V</i>	<i>SEAL KIT, DBL MECH, SC/CA/CA, VITON - ZP1 60/64/130/134</i>	<i>1</i>
3	P1GS060220-N	SEAL KIT, DBL MECH, CE/CA/CA, BUNA - ZP1 60/64/130/134	1
	P1GX000030012-ND	OIL SEAL, PTFE, GEAR CASE COVER - ZP1 & ZP2 45/60/64/130/134	1
	<i>P1GS060220-E</i>	<i>SEAL KIT, DBL MECH, CE/CA/CA, EPDM - ZP1 60/64/130/134</i>	<i>1</i>
	<i>P1GX000030012</i>	<i>OIL SEAL, GEAR CASE COVER - ZP1 & ZP2 45/60/64/130/134</i>	<i>1</i>
	<i>P1GS060220-V</i>	<i>SEAL KIT, DBL MECH, CE/CA/CA, VITON - ZP1 60/64/130/134</i>	<i>1</i>
4	P1GS060230-N	SEAL KIT, DBL MECH, CE/CE/CA, BUNA - ZP1 60/64/130/134	1
	P1SX070106000	GEAR CASE COVER, SS - ZP1 & ZP2 45/60/64/130/134	1
5	P1GS060210-N	SEAL KIT, DBL MECH, SC/SC/CA, BUNA - ZP1 60/64/130/134	1
	P1GXSTD236009	GEAR LOCKNUT ZP1 & ZP2 45/60/64/130/134	2
	<i>P1GS060210-E</i>	<i>SEAL KIT, DBL MECH, SC/SC/CA, EPDM - ZP1 60/64/130/134</i>	<i>1</i>
	<i>P1GS060210-V</i>	<i>SEAL KIT, DBL MECH, SC/SC/CA, VITON - ZP1 60/64/130/134</i>	<i>1</i>
6	P1GXSTD136009	GEAR LOCKWASHER ZP1 & ZP2 45/60/64/130/134	2
7	P1GX060007001	GEAR DRIVE SHAFT ZP1 & ZP2 45/60/64/130/134	1
8	P1GX060007002	GEAR SHORT SHAFT ZP1 & ZP2 45/60/64/130/134	1
9	P1GX060037000	GEAR KEY - ZP1 & ZP2 45/60/64/130/134	2
10	P1GX000030011	OIL SEAL REAR - ZP1 & ZP2 45/60/64/130/134	2
11	P1SX070005000	GEAR CASE, SS - ZP1 & ZP2 45/60/64/130/134	1
12	P1GX115798	PLUG,HEX,20M X1.5,W/NBR SEAL	5
13	P1GX115799	GAUGE,OIL,LVL,INDIC,M-20X1.5	1



Exploded View

Optional Items Shown in ITALICS

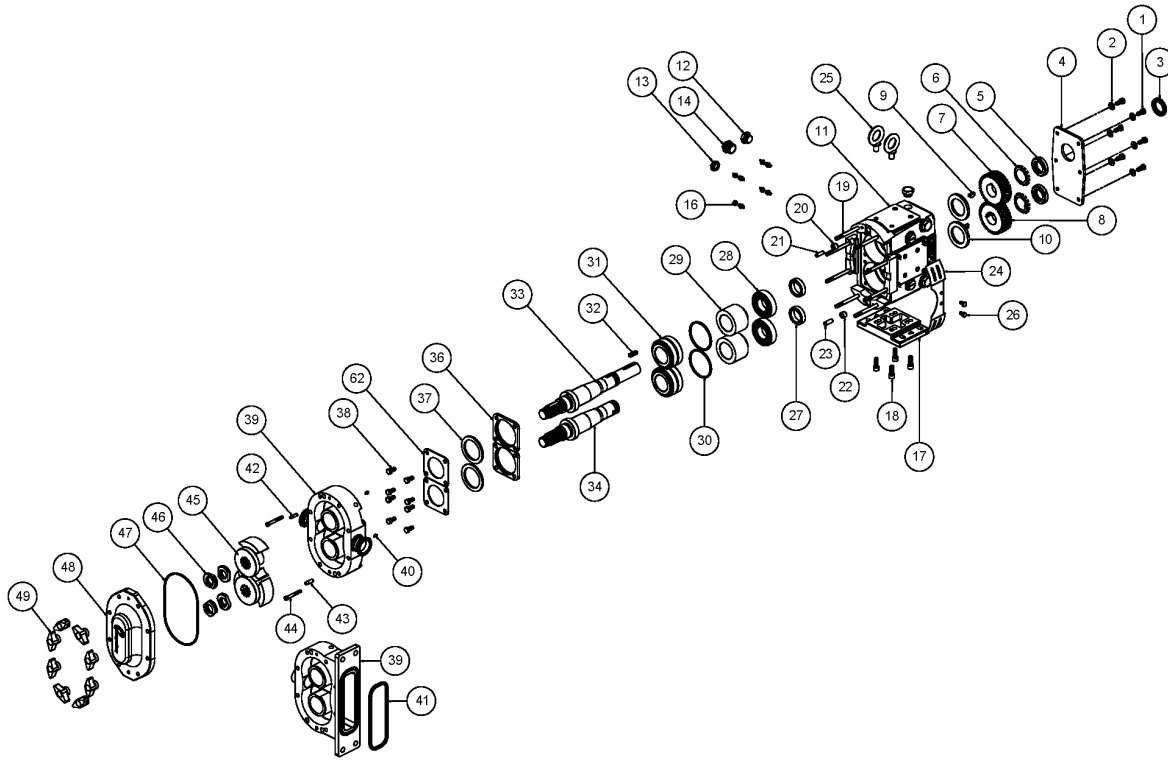
Ref #	Component Item No.	Description	Qty Per
14	P1GX70PLUG-SS	CLEAN OUT PLUG, SS - ZP1 & ZP2 45/60/64/130/134	4
	<i>P1GX70PLUG</i>	<i>CLEAN OUT PLUG, YELLOW - ZP1 & ZP2 45/60/64/130/134</i>	4
16	P1GXB0092001	GREASE FITTING, THREADED 1/4"-28 TAPER, SS	8
17	P1SX070110000	GEAR CASE BASE, SS - ZP1 & ZP2 45/60/64/130/134	1
18	P1GX60SHCSGCB	SHCS, G. CASE BASE, (18-8 SS) 1/2-13 X 1.5" ZP1 & ZP2 60/130	4
19	P1GX0C1050000	STUD, SHORT, ZP1 64	2
	<i>P1GX35556</i>	<i>STUD, SHORT, JACKETED COVER, ZP1 134</i>	2
20	P1GXCD0116000	UPPER DOWEL BUSHING - ZP1 & ZP2 45/60/64/130/134/180/220/224	1
21	P1GX124584	DOWEL PIN - ZP1 & ZP2 45/60/64/130/134	1
22	P1GXCD0116100	LOWER DOWEL BUSHING - ZP1 & ZP2 45/60/64/130/134/180/220/224	1
23	P1GX124586	DOWEL PIN - ZP1 & ZP2 45/60/64/130/134	1
24	P1SX070CEGUARD	GUARD,45-134,(CE),GC,SS	2
25	P1GXEYEBOLT-SS	EYE BOLT,60-224,SS	2
26	P1GX000CENAIL	DRIVENAIL,ZP,GEAR CASE GUARDS	4
27	P1GX107187	GEAR TO REAR BEARING SPACER - ZP1 & ZP2 45/60/64/130/134	2
28	P1GX107186	REAR BEARING - ZP1 & ZP2 45/60/64/130/134	2
29	P1GX060055003	BEARING SPACER - ZP1 & ZP2 45/60/64/130/134	2
30	P1GX117891	SHIM KIT - ZP1 & ZP2 45/60/64/130/134	2
31	P1GX060036000	FRONT BEARING - ZP1 & ZP2 45/60/64/130/134	2
32	P1GX000037003	DRIVE KEY, 3/8" SQ. X 1-5/8" - ZP1 & ZP2 45/60/64/130/134	1
33	P1SX130008001	DRIVE SHAFT (17-4PH) - ZP1 130/134	1
34	P1SX130009001	SHORT SHAFT (17-4PH) - ZP1 130/134	1
36	P1SX121828	BEARING RETAINER, NEW STYLE 3A - ZP1 & ZP2 60/64/130/134	2
37	P1GX000030009-ND	GREASE SEAL, PTFE, FRONT BEARING RET. - ZP1 45/60/64/130/134	2
	<i>P1GX000030009</i>	<i>GREASE SEAL FRONT BEARING RET. - ZP1 45/60/64/130/134</i>	2
38	GX5077200	CAPSCRW,HX,3/8-16X1-1/4,18-8SS HX HD	8
39	P1BDY134001000	BODY - ZP1 134	1



Exploded View

Optional Items Shown in ITALICS

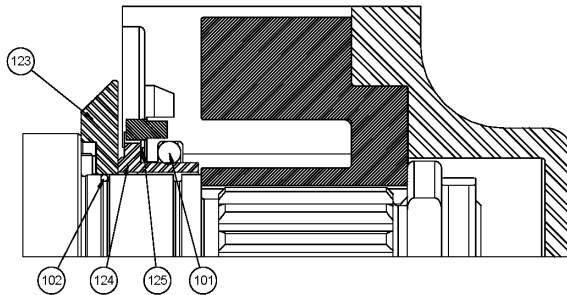
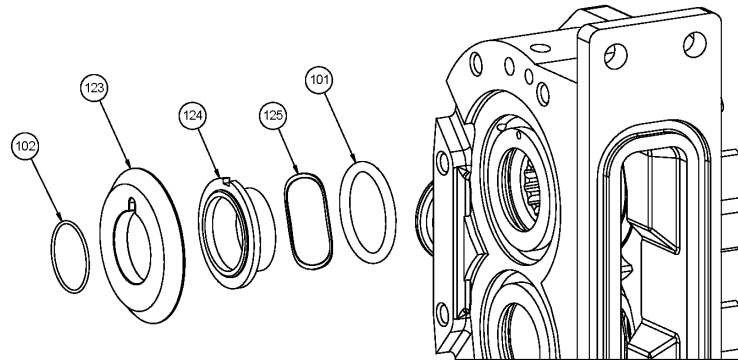
Ref #	Component Item No.	Description	Qty Per
39	<i>P1BDY134001F00</i>	<i>BODY - ZP1 134 - FLUSHED</i>	1
40	P1GX223126000	SEAL STOP PIN - ZP1 60/64/130/134/220/224	2
41	N70369	O-RING, RECTANGULAR FLANGE (BUNA) - ZP1 134	1
	<i>E70369</i>	<i>O-RING, RECTANGULAR FLANGE (EPDM) - ZP1 134</i>	1
	<i>V70369</i>	<i>O-RING, RECTANGULAR FLANGE (VITON) - ZP1 134</i>	1
42	P1GX124582	DOWEL PIN - ZP1 & ZP2 45/60/64/130/134	1
43	P1GX124583	DOWEL PIN - ZP1 & ZP2 45/60/64/130/134	1
44	P1GX30-423	CAPSCRW,SH,5/16-18X4,18-8SS SCKT HD	2
45	P1RTB130010000	ROTOR TWIN BLADE - ALLOY 88 - ZP1 130	2
	<i>P1RTB13001000H</i>	<i>ROTOR TWIN BLADE - ALLOY 88 - ZP1 130 - HOT CLEARANCE</i>	2
	<i>P1RTB1300100HC</i>	<i>ROTOR TWIN BLADE - ALLOY 88 - ZP1 130 - HOT CHOCOLATE</i>	2
	<i>P1RTB130010200</i>	<i>ROTOR TWIN BLADE - 316L - ZP1 130</i>	2
	<i>P1RSW130010010</i>	<i>ROTOR SINGLE WING - ALLOY 88 - ZP1 130 - STRAIGHT</i>	1
	<i>P1RSW130010090</i>	<i>ROTOR SINGLE WING - ALLOY 88 - ZP1 130 - 90°</i>	1
46	P1SX060052001	ROTOR JAM NUT - ZP1 60/64/130/134	4
47	N70272	O-RING, COVER (BUNA) - ZP1 45/60/64/130/134	1
	<i>S75272</i>	<i>O-RING, COVER (SILICONE) - ZP1 45/60/64/130/134</i>	1
	<i>V70272</i>	<i>O-RING, COVER (VITON) - ZP1 45/60/64/130/134</i>	1
	<i>E70272</i>	<i>O-RING, COVER (EPDM) - ZP1 45/60/64/130/134</i>	1
48	P1CVRCD0002S00	COVER - ZP1 60/64/130/134	1
	<i>P1CVRCD0002J10</i>	<i>COVER, JACKETED - ZP1 60/64/130/134</i>	1
49	P1GX105852	WING NUT - ZP1 & ZP2 45/60/64/130/134	8
	<i>P1SX108371</i>	<i>COVER HEX NUT - ZP1 & ZP2 45/60/64/130/134</i>	8
62	P1SX070SPATE	BEARING RETAINER SPLASH PLATE - ZP1 45/60/64/130/134	2
900	P1GXAD0096001	PICK,COMBO,O-RING ZP1 ZP2	1
901	P1GX000140003	OIL,460FG,MAGNAPLT,1GAL ZP	1
902	P1GX000140002	GREASE,HALO GUARD,14OZ TUBE ZP	1



Exploded View

Optional Items Shown in ITALICS

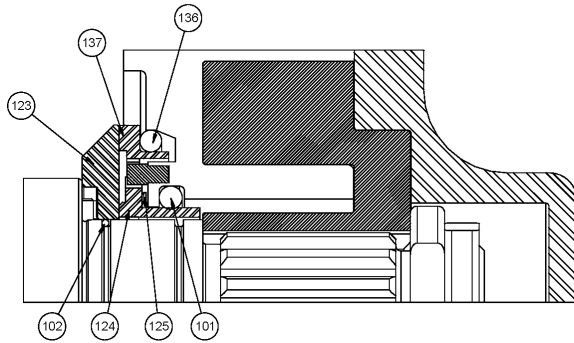
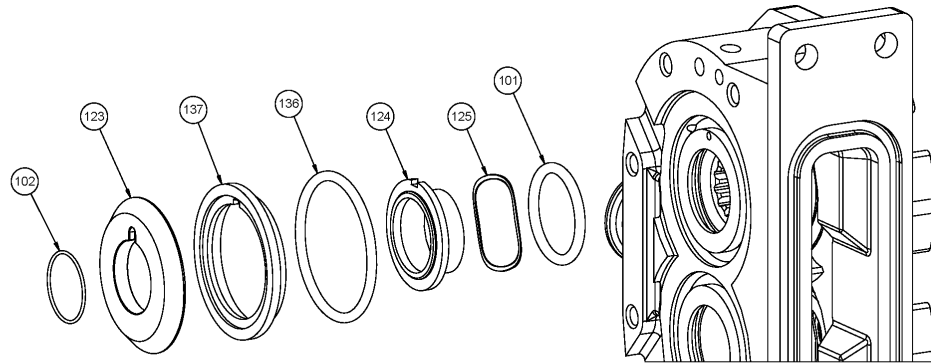
Ref #	Component Item No.	Description	Qty Per
903	P1GXRTVSEAL	SILICONE,DOW,732,30Z ZP1 ZP2	1
904	P1GX109897	WRENCH,60-134,RTR NUT ZP1	1



Single Mechanical Seal

Optional Items Shown in ITALICS

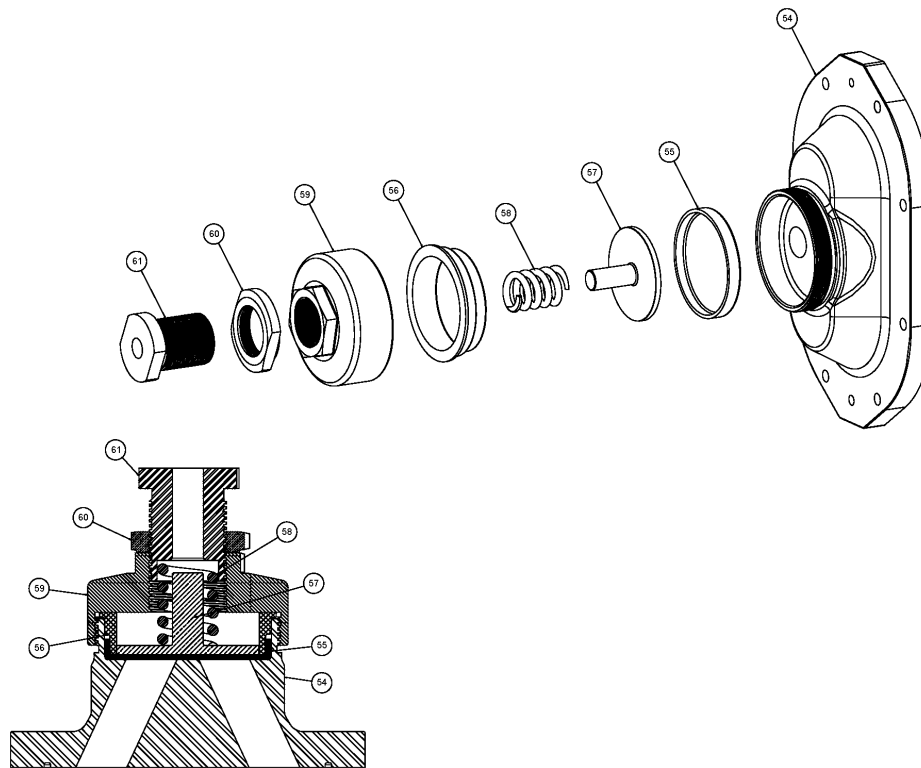
Ref #	Component Item No.	Description	Qty Per
101	N70331	O-RING, BODY (BUNA) - ZP1 60/64/130/134	2
	<i>E70331</i>	<i>O-RING, BODY (EPDM) - ZP1 60/64/130/134</i>	2
	<i>V70331</i>	<i>O-RING, BODY (VITON) - ZP1 60/64/130/134</i>	2
	<i>S75331</i>	<i>O-RING, BODY (SILICONE) - ZP1 60/64/130/134</i>	2
102	N70131	O-RING, SHAFT (BUNA) - ZP1 60/64/130/134	2
	<i>E70131</i>	<i>O-RING, SHAFT (EPDM) - ZP1 60/64/130/134</i>	2
	<i>V70131</i>	<i>O-RING, SHAFT (VITON) - ZP1 60/64/130/134</i>	2
	<i>S75131</i>	<i>O-RING, SHAFT (SILICONE) - ZP1 60/64/130/134</i>	2
123	P1GS060014009	SEAL SEAT (C) ZP1 60/64/130/134	2
	<i>P1GS060014002</i>	<i>SEAL SEAT (K) ZP1 60/64/130/134</i>	2
	<i>P1GS060014001</i>	<i>SEAL SEAT (CO) ZP1 60/64/130/134</i>	2
124	P1GS060306007	SEAL INNER (N) ZP1 60/64/130/134	2
	<i>P1GS40642</i>	<i>SEAL INNER (K) ZP1 60/64/130/134</i>	2
	<i>P1GS060306009</i>	<i>SEAL INNER (C) ZP1 60/64/130/134</i>	2
	<i>P1GS060306002</i>	<i>SEAL SEAT (CO) ZP1 60/64/130/134</i>	2
125	P1GS060304000	INNER SEAL WAVE SPRING - ZP1 60/64/130/134	2



Double Mechanical Seal

Optional Items Shown in ITALICS

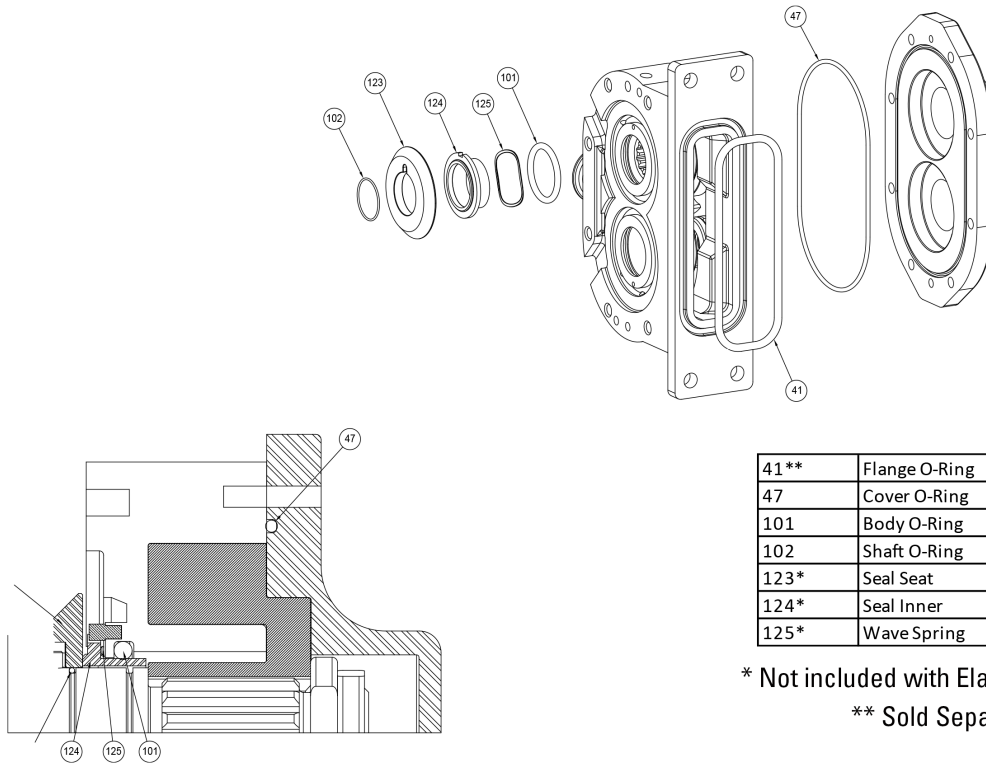
Ref #	Component Item No.	Description	Qty Per
101	N70331	O-RING, BODY (BUNA) - ZP1 60/64/130/134	2
	<i>E70331</i>	<i>O-RING, BODY (EPDM) - ZP1 60/64/130/134</i>	2
	<i>V70331</i>	<i>O-RING, BODY (VITON) - ZP1 60/64/130/134</i>	2
	<i>S75331</i>	<i>O-RING, BODY (SILICONE) - ZP1 60/64/130/134</i>	2
102	N70131	O-RING, SHAFT (BUNA) - ZP1 60/64/130/134	2
	<i>E70131</i>	<i>O-RING, SHAFT (EPDM) - ZP1 60/64/130/134</i>	2
	<i>V70131</i>	<i>O-RING, SHAFT (VITON) - ZP1 60/64/130/134</i>	2
	<i>S75131</i>	<i>O-RING, SHAFT (SILICONE) - ZP1 60/64/130/134</i>	2
123	P1GS060014009	SEAL SEAT (C) ZP1 60/64/130/134	2
	<i>P1GS060014002</i>	<i>SEAL SEAT (K) ZP1 60/64/130/134</i>	2
	<i>P1GS060014001</i>	<i>SEAL SEAT (CO) ZP1 60/64/130/134</i>	2
124	P1GS060306007	SEAL INNER (N) ZP1 60/64/130/134	2
	<i>P1GS40642</i>	<i>SEAL INNER (K) ZP1 60/64/130/134</i>	2
	<i>P1GS060306009</i>	<i>SEAL INNER (C) ZP1 60/64/130/134</i>	2
	<i>P1GS060306002</i>	<i>SEAL SEAT (CO) ZP1 60/64/130/134</i>	2
125	P1GS060304000	INNER SEAL WAVE SPRING - ZP1 60/64/130/134	2
136	N50338	O-RING, OUTER SEAL (BUNA) - ZP1 60/64/130/134	2
	<i>E50338</i>	<i>O-RING, OUTER SEAL (EPDM) - ZP1 60/64/130/134</i>	2
	<i>V50338</i>	<i>O-RING, OUTER SEAL (VITON) - ZP1 60/64/130/134</i>	2
137	P1GS060206007	OUTER SEAL (N) ZP1 60/64/130/134	2
	<i>P1GS060206002</i>	<i>OUTER SEAL (CO) ZP1 60/64/130/134</i>	2



Pressure Relief Cover

Optional Items Shown in ITALICS

Ref #	Component Item No.	Description	Qty Per
54	P1CVRCD0002VS0	VENTED FRONT COVER, ZP1 - 60/64/130/134	1
55	P1GXCD0078000	RUBBER DIAPHRAGM, BUNA, ZP1 & ZP2 & ZP3 - 60/64/130/134	1
	<i>P1GXCD0078E00</i>	<i>RUBBER DIAPHRAGM, EPDM, ZP1 & ZP2 & ZP3 - 60/64/130/134</i>	<i>1</i>
	<i>P1GXCD0078V00</i>	<i>RUBBER DIAPHRAGM, VITON, ZP1 & ZP2 & ZP3 - 60/64/130/134</i>	<i>1</i>
56	P1SXCD0077000	DIAPHRAGM BUSHING, ZP1 & ZP2 & ZP3 - 60/64/130/134	1
57	P1SX113397	SPRING PLUNGER, ZP1 & ZP2 & ZP3 - 60/64/130/134	1
58	P1SX113523	SPRING, MEDIUM, (LESS THAN 150 PSI), ZP1 & ZP2 & ZP3 - 60/64/130/134	1
	<i>P1SX113400</i>	<i>SPRING, HIGH, (MORE THAN 150 PSI), ZP1 & ZP2 & ZP3 - 60/64/130/134</i>	<i>1</i>
59	P1SX113398	COVER NUT, ZP1 & ZP2 & ZP3 - 60/64/130/134	1
60	P1SXGD0074000	LOCKNUT, ZP1 & ZP2 & ZP3 - 60/64/130/134/180/184/220/224	1
61	P1SX113657	ADJUSTING SCREW, ZP1 & ZP2 & ZP3 - 60/64/130/134/180/184/220/224	1



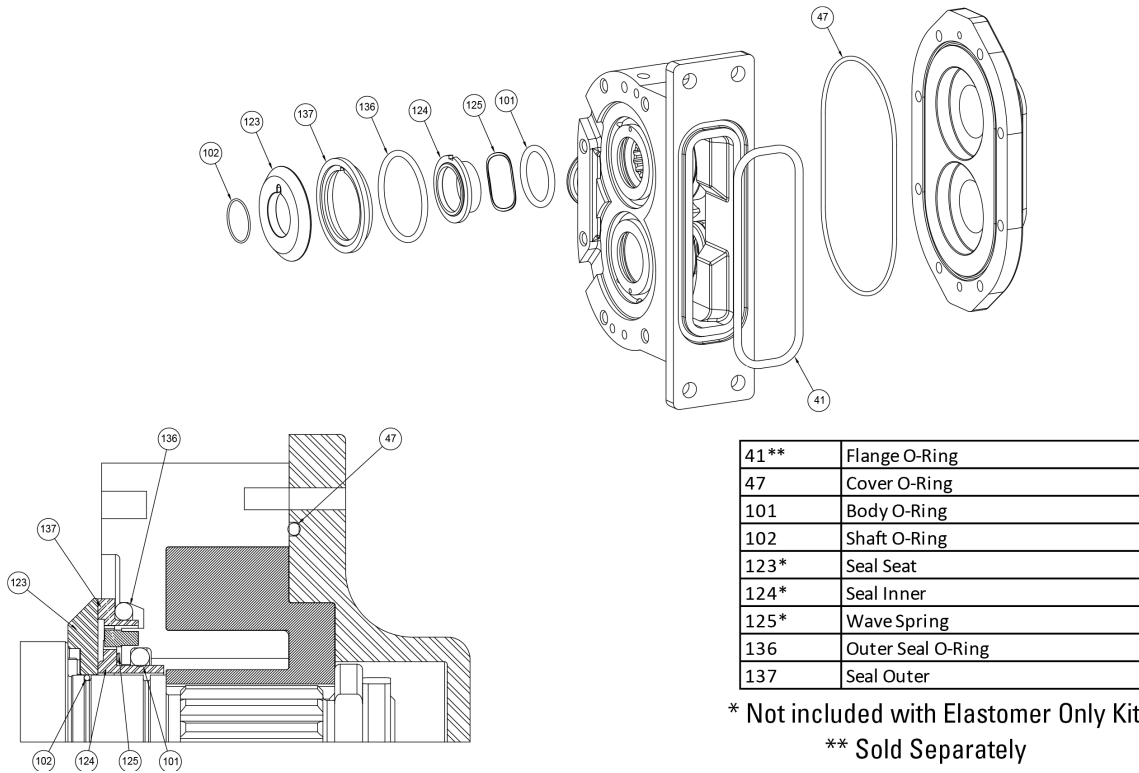
41**	Flange O-Ring
47	Cover O-Ring
101	Body O-Ring
102	Shaft O-Ring
123*	Seal Seat
124*	Seal Inner
125*	Wave Spring

* Not included with Elastomer Only Kits
** Sold Separately

Single Mechanical Seal Kit

Optional Items Shown in ITALICS

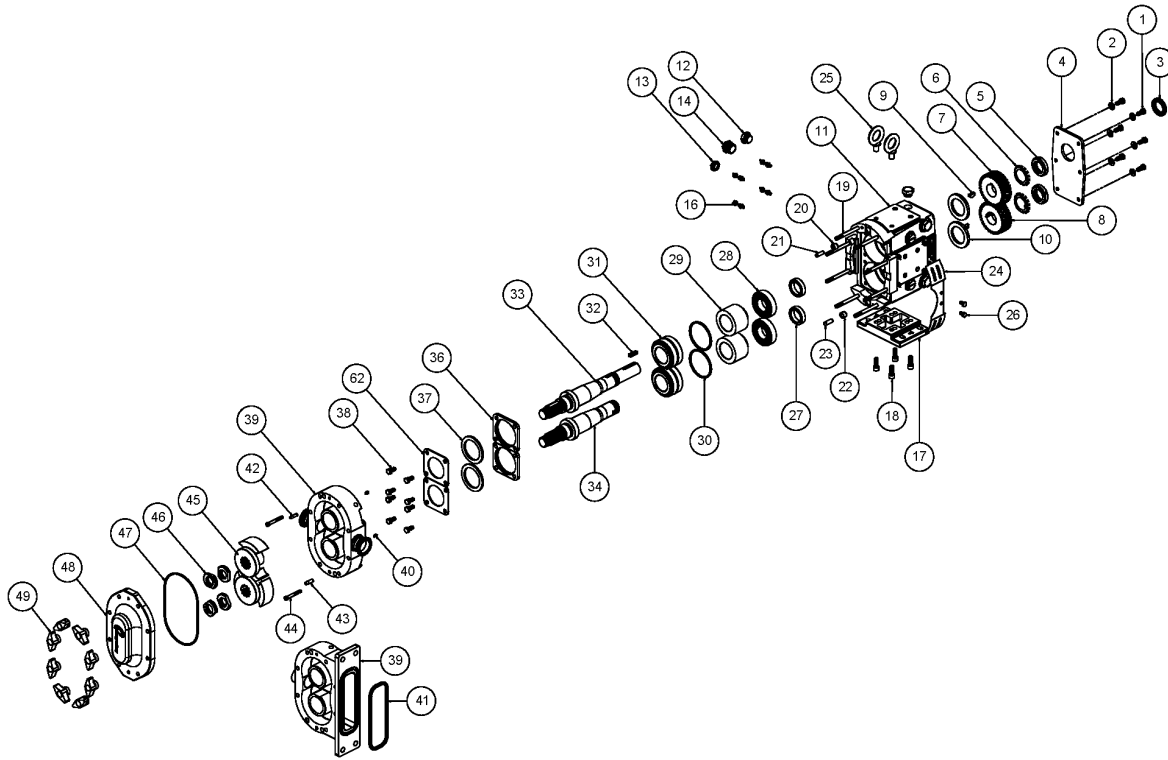
Ref #	Component Item No.	Description	Qty Per
1	P1GX060000-N	SEAL KIT, SGL MECH, ELASTOMERS ONLY, BUNA - ZP1 60/64/130/134	1
	<i>P1GX060000-E</i>	<i>SEAL KIT, SGL MECH, ELASTOMERS ONLY, EPDM - ZP1 60/64/130/134</i>	<i>1</i>
	<i>P1GX060000-V</i>	<i>SEAL KIT, SGL MECH, ELASTOMERS ONLY, VITON - ZP1 60/64/130/134</i>	<i>1</i>
2	P1GS060000-N	SEAL KIT, SGL MECH, SC/CA, BUNA - ZP1 60/64/130/134	1
	<i>P1GS060000-E</i>	<i>SEAL KIT, SGL MECH, SC/CA, EPDM - ZP1 60/64/130/134</i>	<i>1</i>
	<i>P1GS060000-V</i>	<i>SEAL KIT, SGL MECH, SC/CA, VITON - ZP1 60/64/130/134</i>	<i>1</i>
3	P1GS060020-N	SEAL KIT, SGL MECH, CE/CA, BUNA - ZP1 60/64/130/134	1
	<i>P1GS060020-E</i>	<i>SEAL KIT, SGL MECH, CE/CA, EPDM - ZP1 60/64/130/134</i>	<i>1</i>
	<i>P1GS060020-V</i>	<i>SEAL KIT, SGL MECH, CE/CA, VITON - ZP1 60/64/130/134</i>	<i>1</i>
4	<i>P1GS060030-E</i>	<i>SEAL KIT, SGL MECH, CE/CE, EPDM - ZP1 60/64/130/134</i>	<i>1</i>
	<i>P1GS060030-V</i>	<i>SEAL KIT, SGL MECH, CE/CE, VITON - ZP1 60/64/130/134</i>	<i>1</i>
5	P1GS060010-N	SEAL KIT, SGL MECH, SC/SC, BUNA - ZP1 60/64/130/134	1
	<i>P1GS060010-E</i>	<i>SEAL KIT, SGL MECH, SC/SC, EPDM - ZP1 60/64/130/134</i>	<i>1</i>
	<i>P1GS060010-V</i>	<i>SEAL KIT, SGL MECH, SC/SC, VITON - ZP1 60/64/130/134</i>	<i>1</i>



Double Mechanical Seal Kit

Optional Items Shown in ITALICS

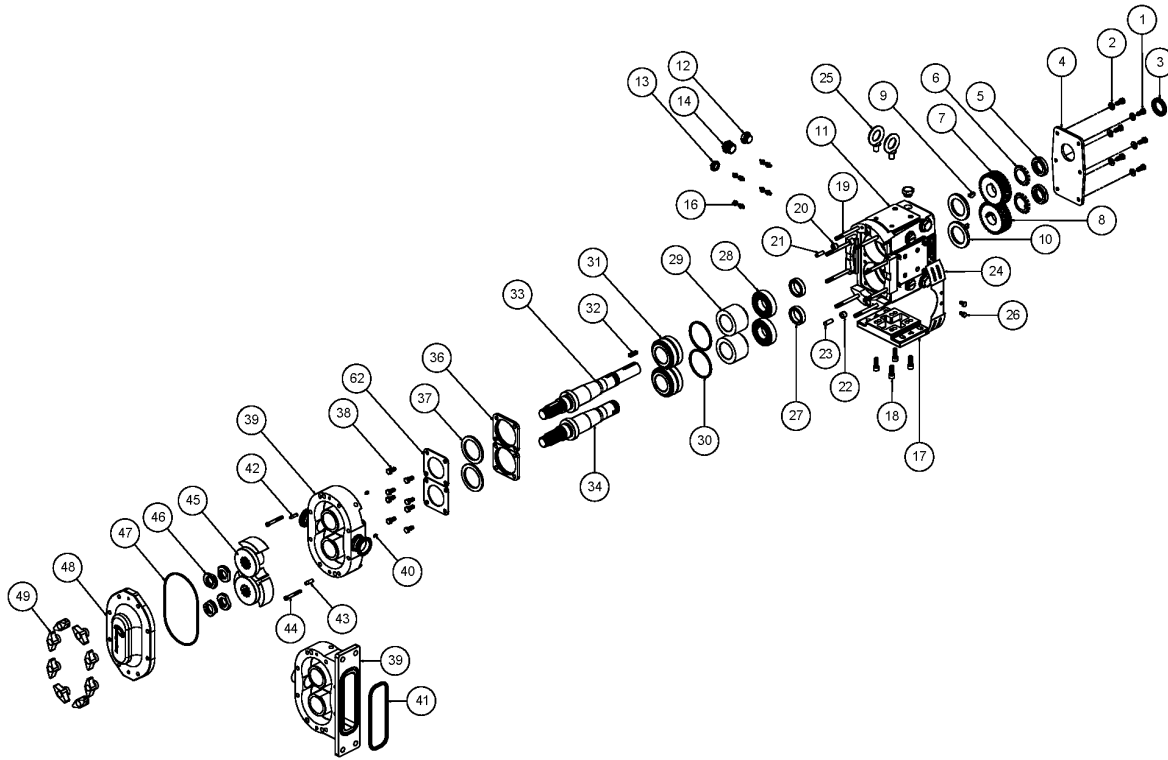
Ref #	Component Item No.	Description	Qty Per
1	P1GX060200-N	SEAL KIT, DBL MECH, ELASTOMERS ONLY, BUNA - ZP1 60/64/130/134	1
	<i>P1GX060200-E</i>	<i>SEAL KIT, DBL MECH, ELASTOMERS ONLY, EPDM - ZP1 60/64/130/134</i>	<i>1</i>
	<i>P1GX060200-V</i>	<i>SEAL KIT, DBL MECH, ELASTOMERS ONLY, VITON - ZP1 60/64/130/134</i>	<i>1</i>
2	P1GS060200-N	SEAL KIT, DBL MECH, SC/CA/CA, BUNA - ZP1 60/64/130/134	1
	<i>P1GS060200-E</i>	<i>SEAL KIT, DBL MECH, SC/CA/CA, EPDM - ZP1 60/64/130/134</i>	<i>1</i>
	<i>P1GS060200-V</i>	<i>SEAL KIT, DBL MECH, SC/CA/CA, VITON - ZP1 60/64/130/134</i>	<i>1</i>
3	P1GS060224-N	SEAL KIT, DBL MECH, CE/CA/CA, BUNA - ZP1 60/64/130/134	1
	<i>P1GS060224-E</i>	<i>SEAL KIT, DBL MECH, CE/CA/CA, EPDM - ZP1 60/64/130/134</i>	<i>1</i>
	<i>P1GS060224-V</i>	<i>SEAL KIT, DBL MECH, CE/CA/CA, VITON - ZP1 60/64/130/134</i>	<i>1</i>
4	P1GS060230-N	SEAL KIT, DBL MECH, CE/CE/CA, BUNA - ZP1 60/64/130/134	1
5	P1GS060210-N	SEAL KIT, DBL MECH, SC/SC/CA, BUNA - ZP1 60/64/130/134	1
	<i>P1GS060210-E</i>	<i>SEAL KIT, DBL MECH, SC/SC/CA, EPDM - ZP1 60/64/130/134</i>	<i>1</i>
	<i>P1GS060210-V</i>	<i>SEAL KIT, DBL MECH, SC/SC/CA, VITON - ZP1 60/64/130/134</i>	<i>1</i>



Exploded View

Optional Items Shown in ITALICS

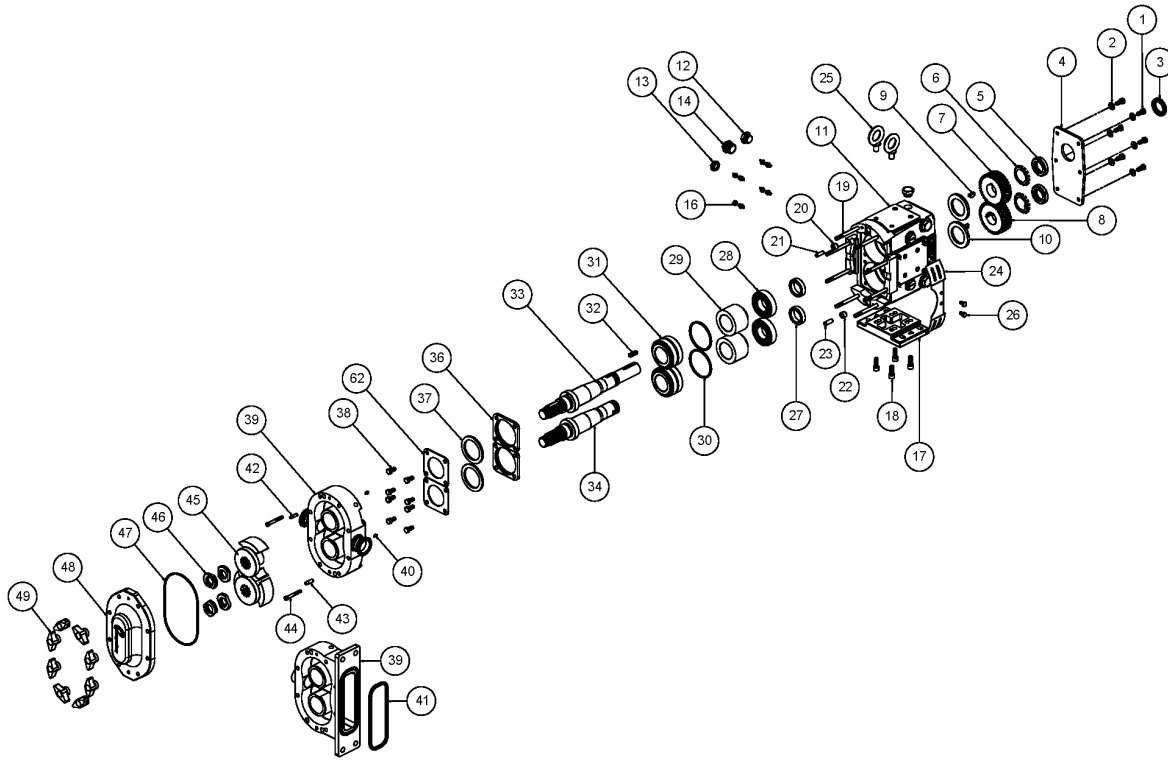
Ref #	Component Item No.	Description	Qty Per
1	P1GX30-50	GEAR CASE COVER BOLT - 3/8-16 X 3/4 HHCS (18-8 SS)	6
2	P1GX43-189	GEAR CASE COVER WASHER - 3/8 FLAT WASHER (18-8 SS)	6
3	P1GX000030012-ND	OIL SEAL, PTFE, GEAR CASE COVER - ZP1 & ZP2 45/60/64/130/134	1
	<i>P1GX000030012</i>	<i>OIL SEAL, GEAR CASE COVER - ZP1 & ZP2 45/60/64/130/134</i>	1
4	P1SX070106000	GEAR CASE COVER, SS - ZP1 & ZP2 45/60/64/130/134	1
5	P1GXSTD236009	GEAR LOCKNUT ZP1 & ZP2 45/60/64/130/134	2
6	P1GXSTD136009	GEAR LOCKWASHER ZP1 & ZP2 45/60/64/130/134	2
7	P1GX060007001	GEAR DRIVE SHAFT ZP1 & ZP2 45/60/64/130/134	1
8	P1GX060007002	GEAR SHORT SHAFT ZP1 & ZP2 45/60/64/130/134	1
9	P1GX060037000	GEAR KEY - ZP1 & ZP2 45/60/64/130/134	2
10	P1GX000030011	OIL SEAL REAR - ZP1 & ZP2 45/60/64/130/134	2
11	P1SX070005000	GEAR CASE, SS - ZP1 & ZP2 45/60/64/130/134	1
12	P1GX115798	PLUG,HEX,20M X1.5,W/NBR SEAL	5
13	P1GX115799	GAUGE,OIL,LVL,INDIC,M-20X1.5	1
14	P1GX70PLUG-SS	CLEAN OUT PLUG, SS - ZP1 & ZP2 45/60/64/130/134	4
	<i>P1GX70PLUG</i>	<i>CLEAN OUT PLUG, YELLOW - ZP1 & ZP2 45/60/64/130/134</i>	4
16	P1GXBD0092001	GREASE FITTING, THREADED 1/4"-28 TAPER, SS	8
17	P1SX070110000	GEAR CASE BASE, SS - ZP1 & ZP2 45/60/64/130/134	1
18	P1GX60SHCSGCB	SHCS, G. CASE BASE, (18-8 SS) 1/2-13 X 1.5" ZP1 & ZP2 60/130	4
19	P1GX0C1050000	STUD, SHORT, ZP1 64	2
	<i>P1GX35556</i>	<i>STUD, SHORT, JACKETED COVER, ZP1 134</i>	2
20	P1GXCD0116000	UPPER DOWEL BUSHING - ZP1 & ZP2 45/60/64/130/134/180/220/224	1
21	P1GX124584	DOWEL PIN - ZP1 & ZP2 45/60/64/130/134	1
22	P1GXCD0116100	LOWER DOWEL BUSHING - ZP1 & ZP2 45/60/64/130/134/180/220/224	1
23	P1GX124586	DOWEL PIN - ZP1 & ZP2 45/60/64/130/134	1
24	P1SX070CEGUARD	GUARD,45-134,(CE),GC,SS	2
25	P1GXEYEBOLT-SS	EYE BOLT,60-224,SS	2



Exploded View

Optional Items Shown in ITALICS

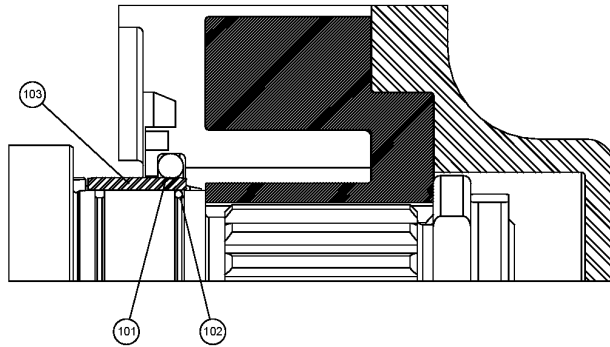
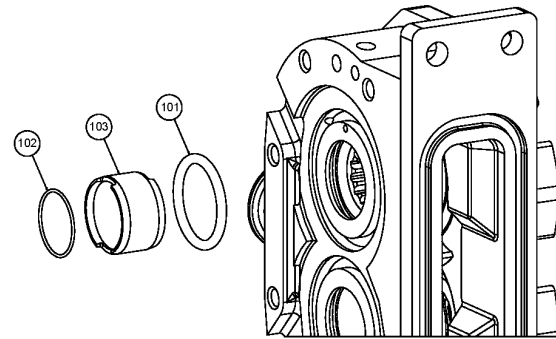
Ref #	Component Item No.	Description	Qty Per
26	P1GX000CENAIL	DRIVENAIL,ZP,GEAR CASE GUARDS	4
27	P1GX107187	GEAR TO REAR BEARING SPACER - ZP1 & ZP2 45/60/64/130/134	2
28	P1GX107186	REAR BEARING - ZP1 & ZP2 45/60/64/130/134	2
29	P1GX060055003	BEARING SPACER - ZP1 & ZP2 45/60/64/130/134	2
30	P1GX117891	SHIM KIT - ZP1 & ZP2 45/60/64/130/134	2
31	P1GX060036000	FRONT BEARING - ZP1 & ZP2 45/60/64/130/134	2
32	P1GX000037003	DRIVE KEY, 3/8" SQ. X 1-5/8" - ZP1 & ZP2 45/60/64/130/134	1
33	P1SX130008001	DRIVE SHAFT (17-4PH) - ZP1 130/134	1
34	P1SX130009001	SHORT SHAFT (17-4PH) - ZP1 130/134	1
36	P1SX121828	BEARING RETAINER, NEW STYLE 3A - ZP1 & ZP2 60/64/130/134	2
37	P1GX000030009-ND	GREASE SEAL, PTFE, FRONT BEARING RET. - ZP1 45/60/64/130/134	2
	<i>P1GX000030009</i>	<i>GREASE SEAL FRONT BEARING RET. - ZP1 45/60/64/130/134</i>	2
38	GX5077200	CAPSCRW,HX,3/8-16X1-1/4,18-8SS HX HD	8
39	P1BDY134001000	BODY - ZP1 134	1
	<i>P1BDY134001F00</i>	<i>BODY - ZP1 134 - FLUSHED</i>	1
40	P1GX223126000	SEAL STOP PIN - ZP1 60/64/130/134/220/224	2
41	N70369	O-RING, RECTANGULAR FLANGE (BUNA) - ZP1 134	1
	<i>E70369</i>	<i>O-RING, RECTANGULAR FLANGE (EPDM) - ZP1 134</i>	1
	<i>V70369</i>	<i>O-RING, RECTANGULAR FLANGE (VITON) - ZP1 134</i>	1
42	P1GX124582	DOWEL PIN - ZP1 & ZP2 45/60/64/130/134	1
43	P1GX124583	DOWEL PIN - ZP1 & ZP2 45/60/64/130/134	1
44	P1GX30-423	CAPSCRW,SH,5/16-18X4,18-8SS SCKT HD	2
45	P1RTB130010000	ROTOR TWIN BLADE - ALLOY 88 - ZP1 130	2
	<i>P1RTB13001000H</i>	<i>ROTOR TWIN BLADE - ALLOY 88 - ZP1 130 - HOT CLEARANCE</i>	2
	<i>P1RTB1300100HC</i>	<i>ROTOR TWIN BLADE - ALLOY 88 - ZP1 130 - HOT CHOCOLATE</i>	2
	<i>P1RTB130010200</i>	<i>ROTOR TWIN BLADE - 316L - ZP1 130</i>	2
	<i>P1RSW130010010</i>	<i>ROTOR SINGLE WING - ALLOY 88 - ZP1 130 - STRAIGHT</i>	1



Exploded View

Optional Items Shown in ITALICS

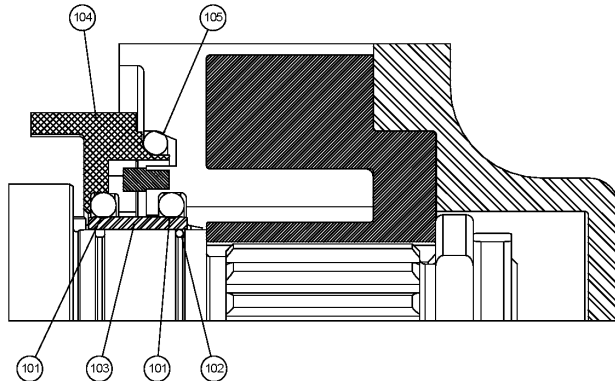
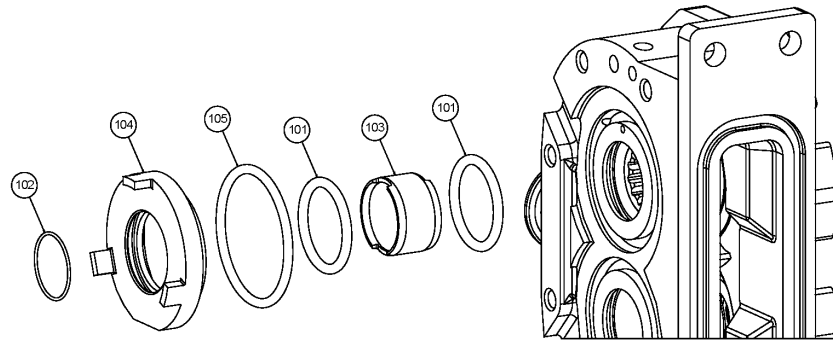
Ref #	Component Item No.	Description	Qty Per
45	<i>P1RSW130010090</i>	<i>ROTOR SINGLE WING - ALLOY 88 - ZP1 130 - 90°</i>	1
46	P1SX060052001	ROTOR JAM NUT - ZP1 60/64/130/134	4
47	N70272	O-RING, COVER (BUNA) - ZP1 45/60/64/130/134	1
	<i>S75272</i>	<i>O-RING, COVER (SILICONE) - ZP1 45/60/64/130/134</i>	1
	<i>V70272</i>	<i>O-RING, COVER (VITON) - ZP1 45/60/64/130/134</i>	1
	<i>E70272</i>	<i>O-RING, COVER (EPDM) - ZP1 45/60/64/130/134</i>	1
48	P1CVRCD0002S00	COVER - ZP1 60/64/130/134	1
	<i>P1CVRCD0002J10</i>	<i>COVER, JACKETED - ZP1 60/64/130/134</i>	1
49	P1GX105852	WING NUT - ZP1 & ZP2 45/60/64/130/134	8
	<i>P1SX108371</i>	<i>COVER HEX NUT - ZP1 & ZP2 45/60/64/130/134</i>	8
62	P1SX070SPLATE	BEARING RETAINER SPLASH PLATE - ZP1 45/60/64/130/134	2
900	P1GXAD0096001	PICK,COMBO,O-RING ZP1 ZP2	1
901	P1GX000140003	OIL,460FG,MAGNAPLT,1GAL ZP	1
902	P1GX000140002	GREASE,HALO GUARD,14OZ TUBE ZP	1
903	P1GXRTVSEAL	SILICONE,DOW,732,30Z ZP1 ZP2	1
904	P1GX109897	WRENCH,60-134,RTR NUT ZP1	1



Single O-Ring Seal

Optional Items Shown in ITALICS

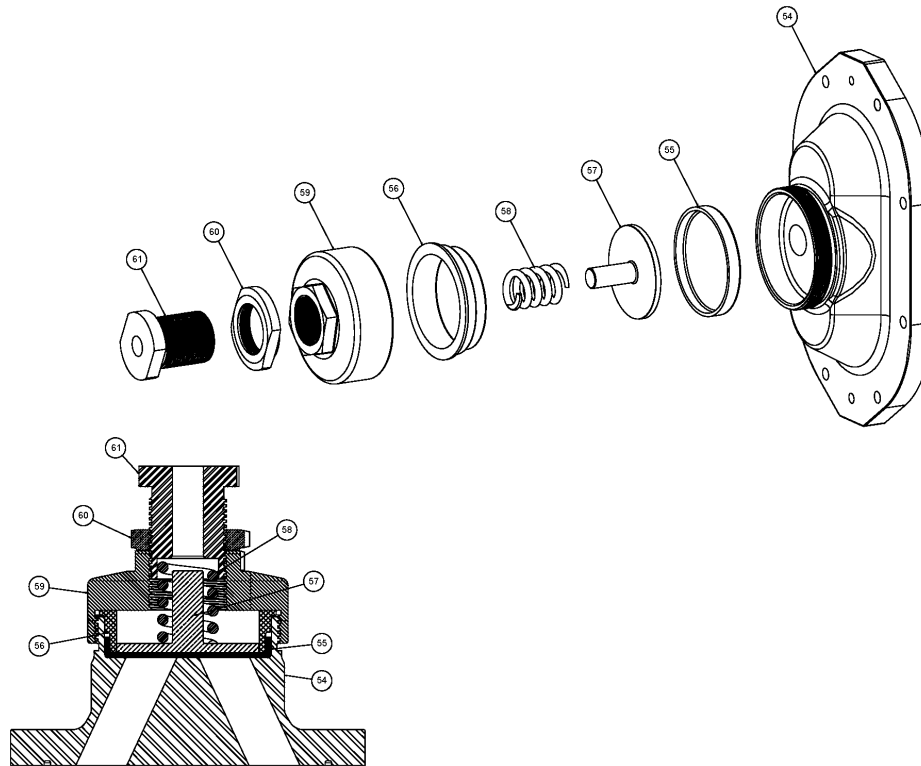
Ref #	Component Item No.	Description	Qty Per
101	N70331	O-RING, BODY (BUNA) - ZP1 60/64/130/134	2
	<i>E70331</i>	<i>O-RING, BODY (EPDM) - ZP1 60/64/130/134</i>	2
	<i>V70331</i>	<i>O-RING, BODY (VITON) - ZP1 60/64/130/134</i>	2
	<i>S75331</i>	<i>O-RING, BODY (SILICONE) - ZP1 60/64/130/134</i>	2
102	N70131	O-RING, SHAFT (BUNA) - ZP1 60/64/130/134	2
	<i>E70131</i>	<i>O-RING, SHAFT (EPDM) - ZP1 60/64/130/134</i>	2
	<i>V70131</i>	<i>O-RING, SHAFT (VITON) - ZP1 60/64/130/134</i>	2
	<i>S75131</i>	<i>O-RING, SHAFT (SILICONE) - ZP1 60/64/130/134</i>	2
103	P1SX060098001	SLEEVE (17-4PH H900) ZP1 60/64/130/134 - SLOTTED	2
	<i>P1SX060098004</i>	<i>ZIRCONIA SLEEVE - ZP1 60/64/130/134</i>	2
	<i>P1SX060098002</i>	<i>CHROME OXIDE SLEEVE (316L) - ZP1 60/64/130/134</i>	2



Double O-Ring Seal

Optional Items Shown in ITALICS

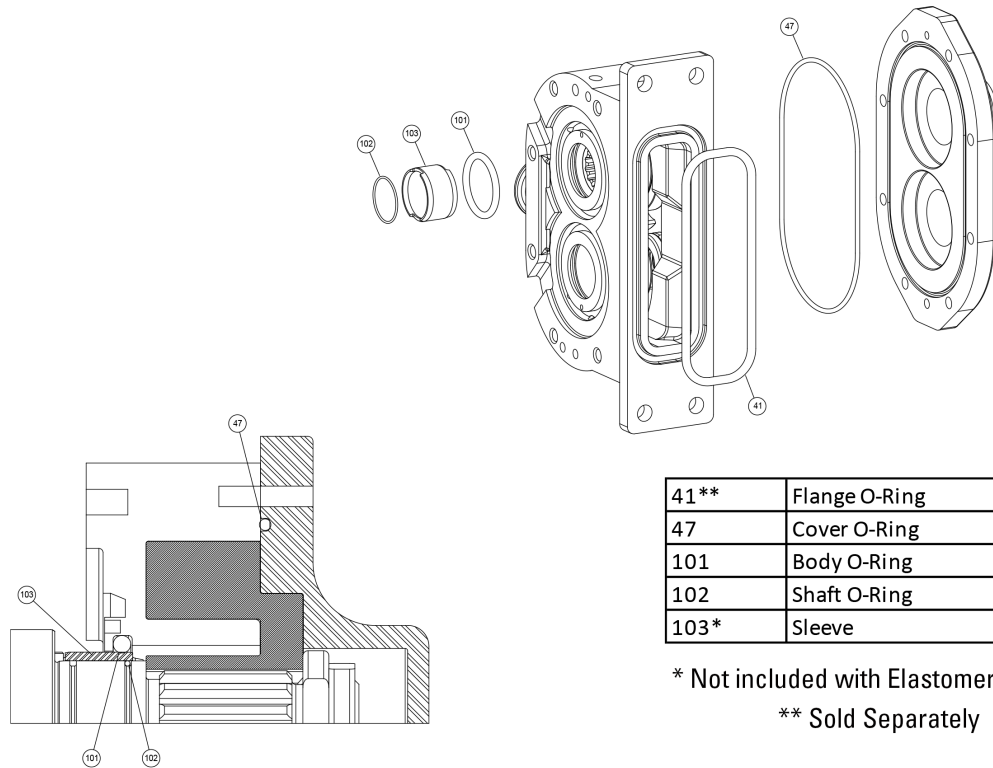
Ref #	Component Item No.	Description	Qty Per
101	N70331	O-RING, BODY (BUNA) - ZP1 60/64/130/134	4
	<i>E70331</i>	<i>O-RING, BODY (EPDM) - ZP1 60/64/130/134</i>	4
	<i>V70331</i>	<i>O-RING, BODY (VITON) - ZP1 60/64/130/134</i>	4
	<i>S75331</i>	<i>O-RING, BODY (SILICONE) - ZP1 60/64/130/134</i>	4
102	N70131	O-RING, SHAFT (BUNA) - ZP1 60/64/130/134	2
	<i>E70131</i>	<i>O-RING, SHAFT (EPDM) - ZP1 60/64/130/134</i>	2
	<i>V70131</i>	<i>O-RING, SHAFT (VITON) - ZP1 60/64/130/134</i>	2
	<i>S75131</i>	<i>O-RING, SHAFT (SILICONE) - ZP1 60/64/130/134</i>	2
103	P1SX060098001	SLEEVE (17-4PH H900) ZP1 60/64/130/134 - SLOTTED	2
	<i>P1SX060098004</i>	<i>ZIRCONIA SLEEVE - ZP1 60/64/130/134</i>	2
	<i>P1SX060098002</i>	<i>CHROME OXIDE SLEEVE (316L) - ZP1 60/64/130/134</i>	2
104	P1SX060034002	O-RING SEAL CARRIER, 3A NEW STYLE - ZP1 60/64/130/134	2
105	N50338	O-RING, OUTER SEAL (BUNA) - ZP1 60/64/130/134	2
	<i>E50338</i>	<i>O-RING, OUTER SEAL (EPDM) - ZP1 60/64/130/134</i>	2
	<i>V50338</i>	<i>O-RING, OUTER SEAL (VITON) - ZP1 60/64/130/134</i>	2



Pressure Relief Cover

Optional Items Shown in ITALICS

Ref #	Component Item No.	Description	Qty Per
54	P1CVRCD0002VS0	VENTED FRONT COVER, ZP1 - 60/64/130/134	1
55	P1GXCD0078000	RUBBER DIAPHRAGM, BUNA, ZP1 & ZP2 & ZP3 - 60/64/130/134	1
	<i>P1GXCD0078E00</i>	<i>RUBBER DIAPHRAGM, EPDM, ZP1 & ZP2 & ZP3 - 60/64/130/134</i>	<i>1</i>
	<i>P1GXCD0078V00</i>	<i>RUBBER DIAPHRAGM, VITON, ZP1 & ZP2 & ZP3 - 60/64/130/134</i>	<i>1</i>
56	P1SXCD0077000	DIAPHRAGM BUSHING, ZP1 & ZP2 & ZP3 - 60/64/130/134	1
57	P1SX113397	SPRING PLUNGER, ZP1 & ZP2 & ZP3 - 60/64/130/134	1
58	P1SX113523	SPRING, MEDIUM, (LESS THAN 150 PSI), ZP1 & ZP2 & ZP3 - 60/64/130/134	1
	<i>P1SX113400</i>	<i>SPRING, HIGH, (MORE THAN 150 PSI), ZP1 & ZP2 & ZP3 - 60/64/130/134</i>	<i>1</i>
59	P1SX113398	COVER NUT, ZP1 & ZP2 & ZP3 - 60/64/130/134	1
60	P1SXGD0074000	LOCKNUT, ZP1 & ZP2 & ZP3 - 60/64/130/134/180/184/220/224	1
61	P1SX113657	ADJUSTING SCREW, ZP1 & ZP2 & ZP3 - 60/64/130/134/180/184/220/224	1



41**	Flange O-Ring
47	Cover O-Ring
101	Body O-Ring
102	Shaft O-Ring
103*	Sleeve

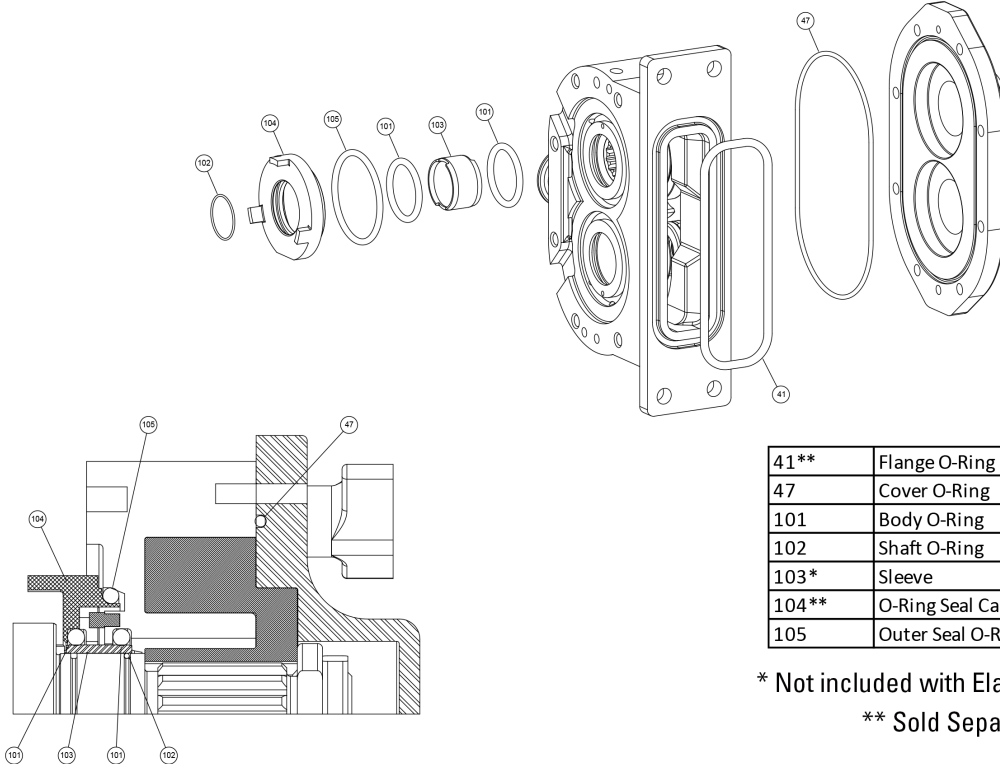
* Not included with Elastomer Only Kits

** Sold Separately

Single O-Ring Seal Kit

Optional Items Shown in ITALICS

Ref #	Component Item No.	Description	Qty Per
1	P1GX060000-N	SEAL KIT, SGL O-RING, ELASTOMERS ONLY, BUNA - ZP1 60/64/130/134	1
	<i>P1GX060000-E</i>	<i>SEAL KIT, SGL O-RING, ELASTOMERS ONLY, EPDM - ZP1 60/64/130/134</i>	<i>1</i>
	<i>P1GX060000-V</i>	<i>SEAL KIT, SGL O-RING, ELASTOMERS ONLY, VITON - ZP1 60/64/130/134</i>	<i>1</i>
2	P1GS06000S-N	SEAL KIT, SGL O-RING, 17-4 SS SLVS, BUNA - ZP1 60/64/130/134	1
	<i>P1GS06000S-E</i>	<i>SEAL KIT, SGL O-RING, 17-4 SS SLVS, EPDM - ZP1 60/64/130/134</i>	<i>1</i>
	<i>P1GS06000S-V</i>	<i>SEAL KIT, SGL O-RING, 17-4 SS SLVS, VITON - ZP1 60/64/130/134</i>	<i>1</i>
3	P1GS06000Z-N	SEAL KIT, SGL O-RING, ZIRCONIA SLVS, BUNA - ZP1 60/64/130/134	1
	<i>P1GS06000Z-E</i>	<i>SEAL KIT, SGL O-RING, ZIRCONIA SLVS, EPDM - ZP1 60/64/130/134</i>	<i>1</i>
	<i>P1GS06000Z-V</i>	<i>SEAL KIT, SGL O-RING, ZIRCONIA SLVS, VITON - ZP1 60/64/130/134</i>	<i>1</i>



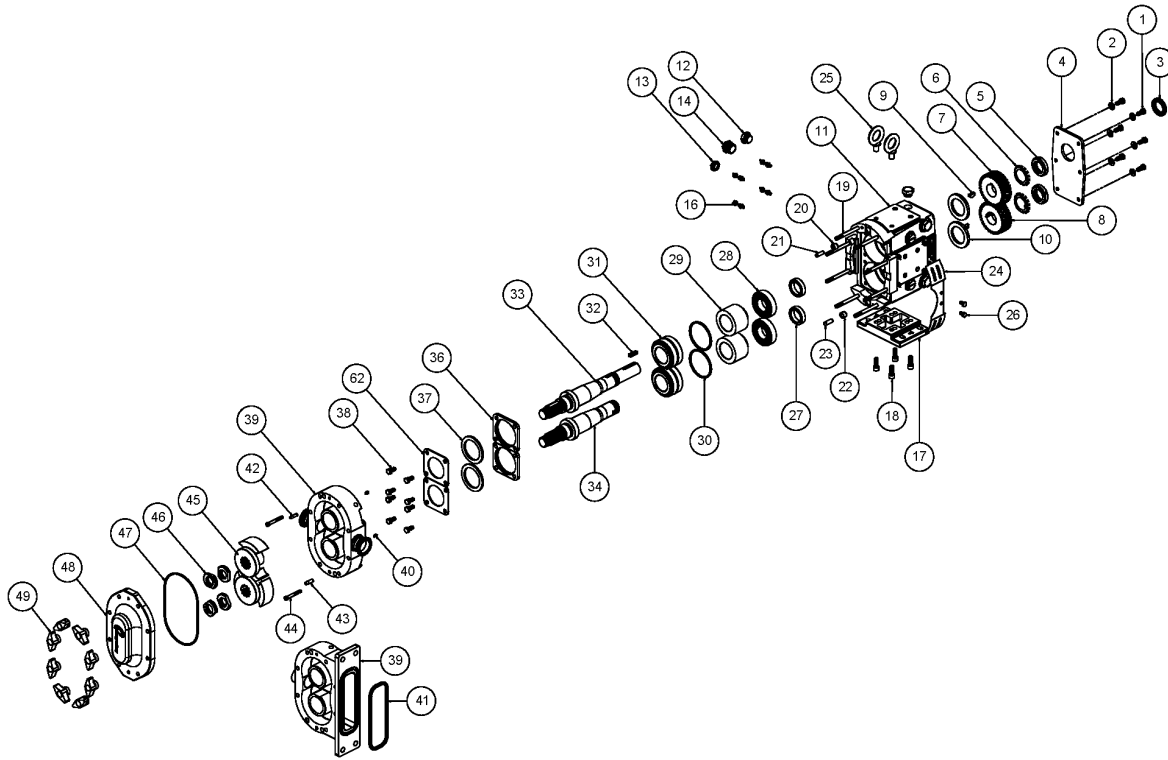
41**	Flange O-Ring
47	Cover O-Ring
101	Body O-Ring
102	Shaft O-Ring
103*	Sleeve
104**	O-Ring Seal Carrier
105	Outer Seal O-Ring

* Not included with Elastomer Only Kits
** Sold Separately

Double O-Ring Seal Kit

Optional Items Shown in ITALICS

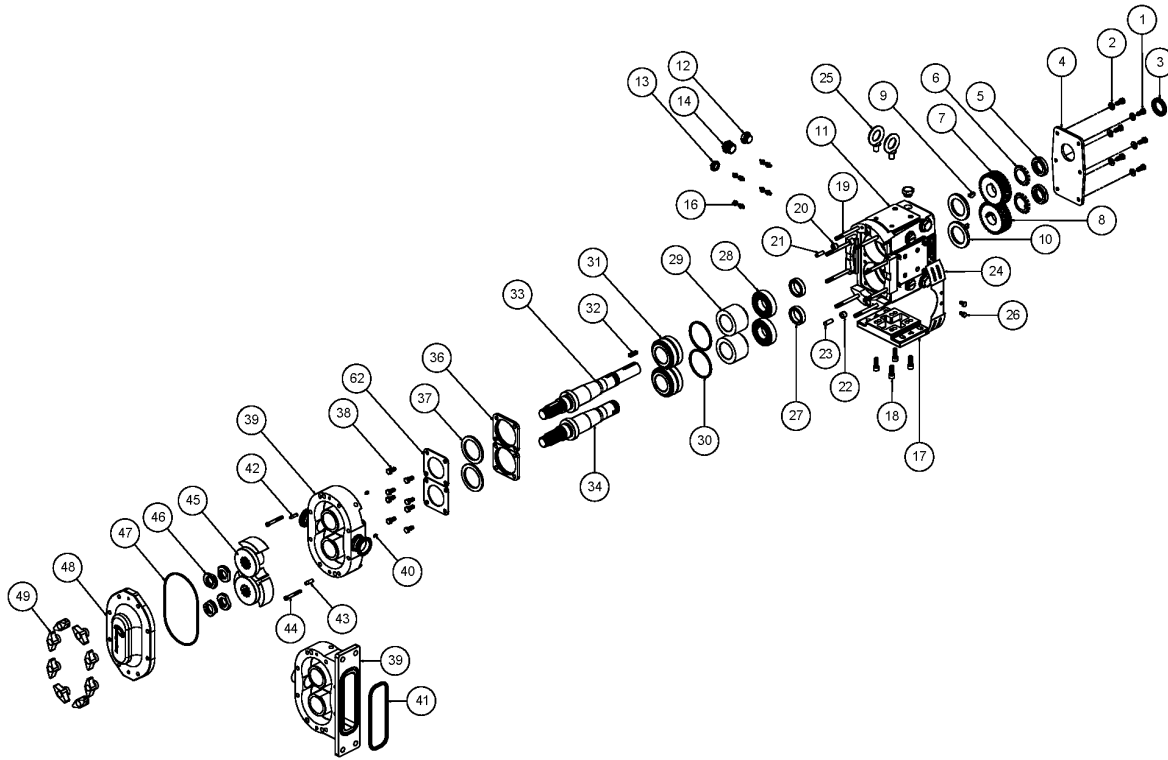
Ref #	Component Item No.	Description	Qty Per
1	P1GX060200-N	SEAL KIT, DBL O-RING, ELASTOMERS ONLY, BUNA - ZP1 60/64/130/134	1
	<i>P1GX060200-E</i>	<i>SEAL KIT, DBL O-RING, ELASTOMERS ONLY, EPDM - ZP1 60/64/130/134</i>	<i>1</i>
	<i>P1GX060200-V</i>	<i>SEAL KIT, DBL O-RING, ELASTOMERS ONLY, VITON - ZP1 60/64/130/134</i>	<i>1</i>
2	P1GS06020S-N	SEAL KIT, DBL O-RING, 17-4 SS SLVS, BUNA - ZP1 60/64/130/134	1
	<i>P1GS06020S-E</i>	<i>SEAL KIT, DBL O-RING, 17-4 SS SLVS, EPDM - ZP1 60/64/130/134</i>	<i>1</i>
	<i>P1GS06020S-V</i>	<i>SEAL KIT, DBL O-RING, 17-4 SS SLVS, VITON - ZP1 60/64/130/134</i>	<i>1</i>
3	P1GS06020Z-N	SEAL KIT, DBL O-RING, ZIRCONIA SLVS, BUNA - ZP1 60/64/130/134	1
	<i>P1GS06020Z-E</i>	<i>SEAL KIT, DBL O-RING, ZIRCONIA SLVS, EPDM - ZP1 60/64/130/134</i>	<i>1</i>
	<i>P1GS06020Z-V</i>	<i>SEAL KIT, DBL O-RING, ZIRCONIA SLVS, VITON - ZP1 60/64/130/134</i>	<i>1</i>



Exploded View

Optional Items Shown in ITALICS

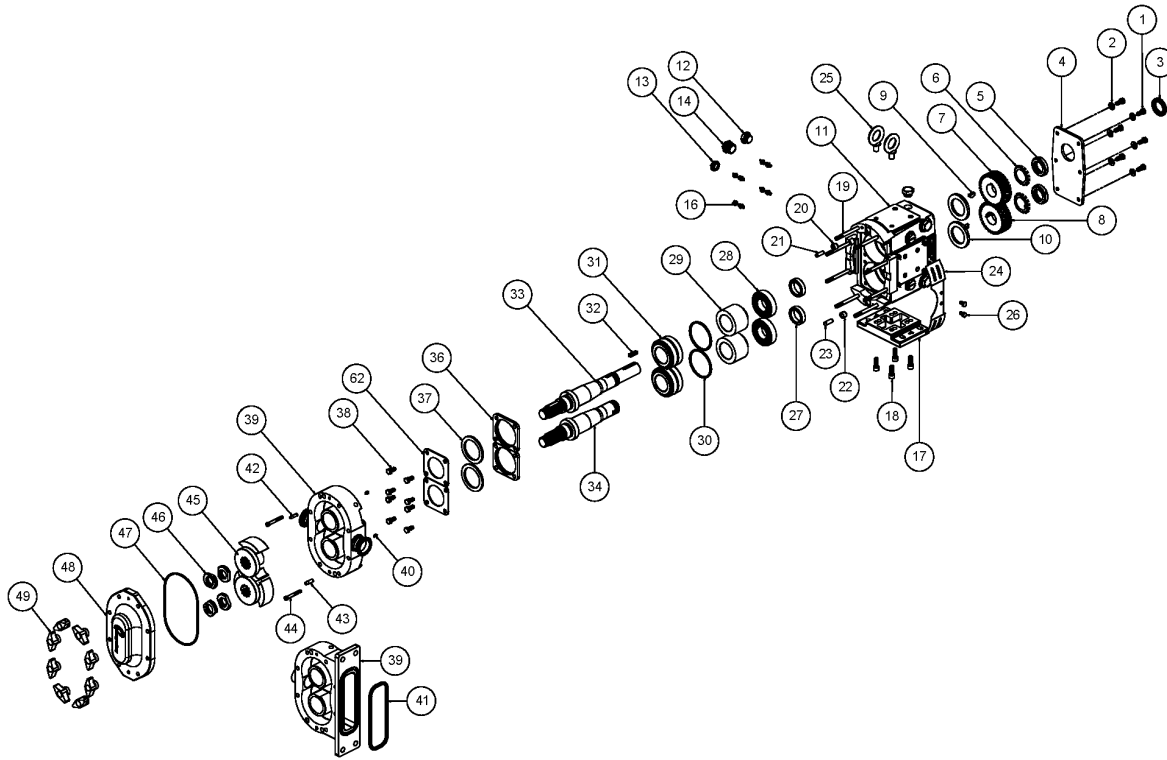
Ref #	Component Item No.	Description	Qty Per
1	P1GX30-50	GEAR CASE COVER BOLT - 3/8-16 X 3/4 HHCS (18-8 SS)	6
2	P1GX43-189	GEAR CASE COVER WASHER - 3/8 FLAT WASHER (18-8 SS)	6
3	P1GXSTD030006-ND	OIL SEAL, PTFE, GEAR CASE COVER - ZP1 & ZP2 220/223/224	1
	<i>P1GXSTD030006</i>	<i>OIL SEAL, GEAR CASE COVER - ZP1 & ZP2 220/223/224</i>	<i>1</i>
4	P1SX230106000	GEAR CASE COVER, SS - ZP1 & ZP2 180/220/224	1
5	P1GXSTD236011	GEAR LOCKNUT ZP1 & ZP2 220/223/224	2
6	P1GXSTD136011	GEAR LOCKWASHER ZP1 & ZP2 220/223/224	2
7	P1GX220007001	GEAR DRIVE SHAFT ZP1 & ZP2 180/220/224	1
8	P1GX220007002	GEAR SHORT SHAFT ZP1 & ZP2 180/220/224	1
9	P1GX200037000	GEAR KEY - ZP1 & ZP2 180/220/224	2
10	P1GXSTD119002	OIL SEAL REAR - ZP1 & ZP2 220/223/224	2
11	P1SX230005000	GEAR CASE, SS - ZP1 & ZP2 180/220/224	1
12	P1GX115798	PLUG,HEX,20M X1.5,W/NBR SEAL	5
13	P1GX115799	GAUGE,OIL,LVL,INDIC,M-20X1.5	1
14	P1GX70PLUG-SS	CLEAN OUT PLUG, SS - ZP1 & ZP2 45/60/64/130/134	4
	<i>P1GX70PLUG</i>	<i>CLEAN OUT PLUG, YELLOW - ZP1 & ZP2 45/60/64/130/134</i>	<i>4</i>
16	P1GXBD0092001	GREASE FITTING, THREADED 1/4"-28 TAPER, SS	8
17	P1SX230110000	GEAR CASE BASE, SS - ZP1 & ZP2 180/220/224	1
18	P1GX30-44	SHCS, G. CASE BASE, (18-8 SS) 1/2-13 X 2" ZP1 & ZP2 220/223	4
19	P1GX108844	STUD, ZP1 220	8
	<i>P1GX108847</i>	<i>STUD, JACKETED COVER, ZP1 220</i>	<i>8</i>
20	P1GXCD0116000	UPPER DOWEL BUSHING - ZP1 & ZP2 45/60/64/130/134/180/220/224	1
21	P1GX124584	DOWEL PIN - ZP1 & ZP2 45/60/64/130/134	1
22	P1GXCD0116100	LOWER DOWEL BUSHING - ZP1 & ZP2 45/60/64/130/134/180/220/224	1
23	P1GX124586	DOWEL PIN - ZP1 & ZP2 45/60/64/130/134	1
24	P1SX230CEGUARD	GUARD,220/224,(CE),GC,SS	2



Exploded View

Optional Items Shown in ITALICS

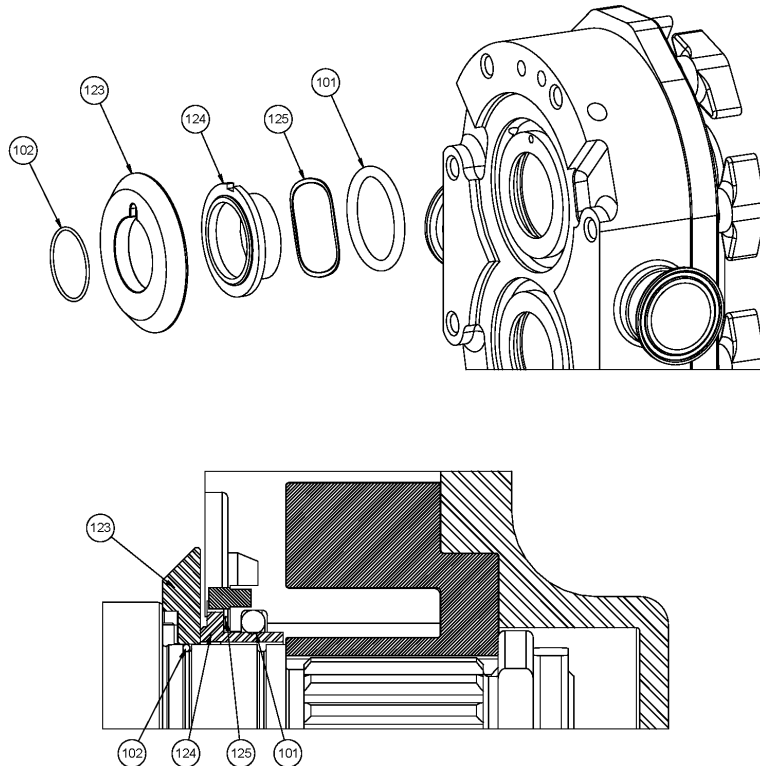
Ref #	Component Item No.	Description	Qty Per
25	P1GXKEYBOLT-SS	EYE BOLT,60-224,SS	2
26	P1GX000CENAIL	DRIVENAIL,ZP,GEAR CASE GUARDS	4
27	P1GX40878	GEAR TO REAR BEARING SPACER - ZP1 & ZP2 180/184/220/223/224	2
28	P1GX200035000	REAR BEARING - ZP1 & ZP2 220/223/224	2
29	P1GX40752	BEARING SPACER - ZP1 & ZP2 180/184/220/223/224	2
30	P1GX117892	SHIM KIT - ZP1 & ZP2 180/220/224	2
31	P1GX200036000	FRONT BEARING - ZP1 & ZP2 220/223/224	2
32	P1GX000037004	DRIVE KEY, 1/2" SQ. X 1" - ZP1 & ZP2 180/220/224	1
33	P1SX220008001	DRIVE SHAFT (17-4PH) - ZP1 220/224	1
34	P1SX220009001	SHORT SHAFT (17-4PH) - ZP1 220/224	1
36	P1SX121829	BEARING RETAINER, NEW STYLE 3A - ZP1 & ZP2 180/220/224	2
37	P1GXSTD030002-ND	GREASE SEAL, PTFE, FRONT BEARING RET. - ZP1 & ZP2 220/223/224	2
	<i>P1GXSTD030002</i>	<i>GREASE SEAL FRONT BEARING RET. - ZP1 & ZP2 220/223/224</i>	2
38	GX5077200	CAPSCRW,HX,3/8-16X1-1/4,18-8SS HX HD	8
39	P1BDY220001000	BODY - ZP1 220	1
	<i>P1BDY220001F00</i>	<i>BODY - ZP1 220 - FLUSHED</i>	1
40	P1GX223126000	SEAL STOP PIN - ZP1 60/64/130/134/220/224	2
42	P1GX124584	DOWEL PIN - ZP1 & ZP2 45/60/64/130/134	1
43	P1GX124586	DOWEL PIN - ZP1 & ZP2 45/60/64/130/134	1
44	P1GX30-499	CAPSCRW,SH,3/8-16X4-1/2,18-8SS SCKT HD	2
45	P1RTB220010000	ROTOR TWIN BLADE - ALLOY 88 - ZP1 220/224	2
	<i>P1RTB22001000H</i>	<i>ROTOR TWIN BLADE - ALLOY 88 - ZP1 220/224 - HOT CLEARANCE</i>	2
	<i>P1RTB2200100HC</i>	<i>ROTOR TWIN BLADE - ALLOY 88 - ZP1 220/224 - HOT CHOCOLATE</i>	2
	<i>P1RTB220010200</i>	<i>ROTOR TWIN BLADE - 316L - ZP1 220/224</i>	2
	<i>P1RSW220010010</i>	<i>ROTOR SINGLE WING - ALLOY 88 - ZP1 220/224 - STRAIGHT</i>	1
	<i>P1RSW220010090</i>	<i>ROTOR SINGLE WING - ALLOY 88 - ZP1 220/224 - 90°</i>	1



Exploded View

Optional Items Shown in ITALICS

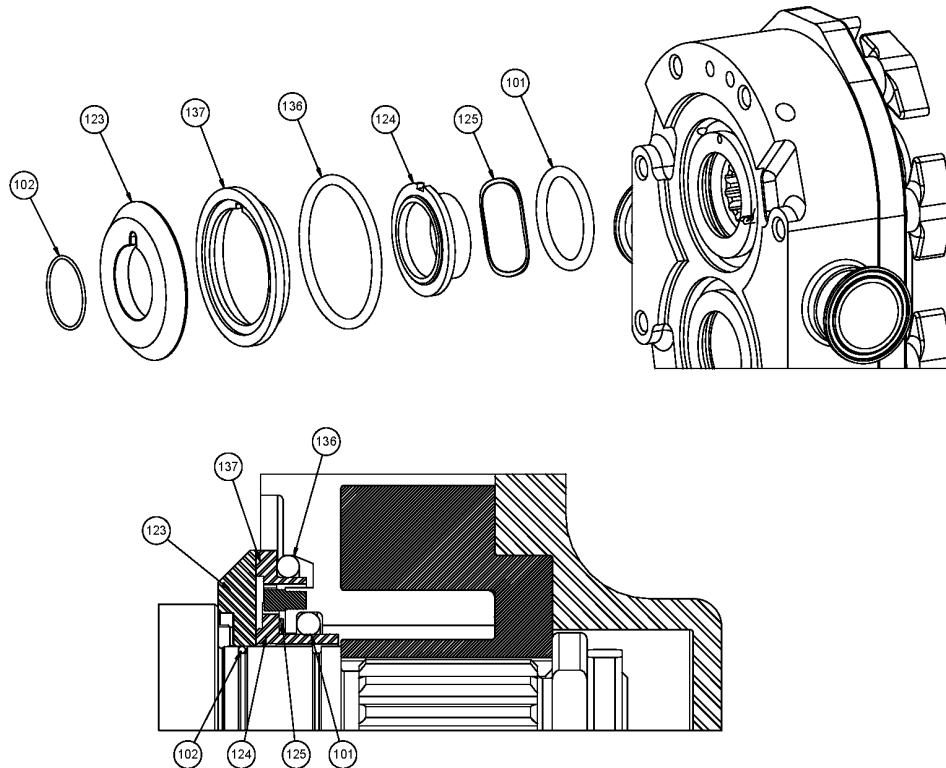
Ref #	Component Item No.	Description	Qty Per
46	P1SXGD0052001	ROTOR JAM NUT - ZP1 220/224	4
47	P1GXGD0117000	O-RING, COVER (BUNA) - ZP1 220/224	1
	<i>P1GXGD0117SC0</i>	<i>O-RING, COVER (SILICONE) - ZP1 220/224</i>	1
	<i>P1GXGD0117V00</i>	<i>O-RING, COVER (VITON) - ZP1 220/224</i>	1
	<i>P1GXGD0117002</i>	<i>O-RING, COVER (EPDM) - ZP1 220/224</i>	1
48	P1CVRGD0002S00	COVER - ZP1 220/224	1
	<i>P1CVRGD0002J10</i>	<i>COVER, JACKETED - ZP1 220/224</i>	1
49	P1GX105853	WING NUT - ZP1 & ZP2 180/220/224	8
	<i>P1SX108372</i>	<i>COVER HEX NUT - ZP1 & ZP2 180/220/224</i>	8
62	P1SX230SPLATE	BEARING RETAINER SPLASH PLATE - ZP1 & ZP2 180/220/224	2
900	P1GXAD0096001	PICK,COMBO,O-RING ZP1 ZP2	1
901	P1GX000140003	OIL,460FG,MAGNAPLT,1GAL ZP	1
902	P1GX000140002	GREASE,HALO GUARD,14OZ TUBE ZP	1
903	P1GXRTVSEAL	SILICONE,DOW,732,30Z ZP1 ZP2	1
904	P1GX109898	WRENCH,220/224,RTR NUT ZP1	1



Single Mechanical Seal

Optional Items Shown in ITALICS

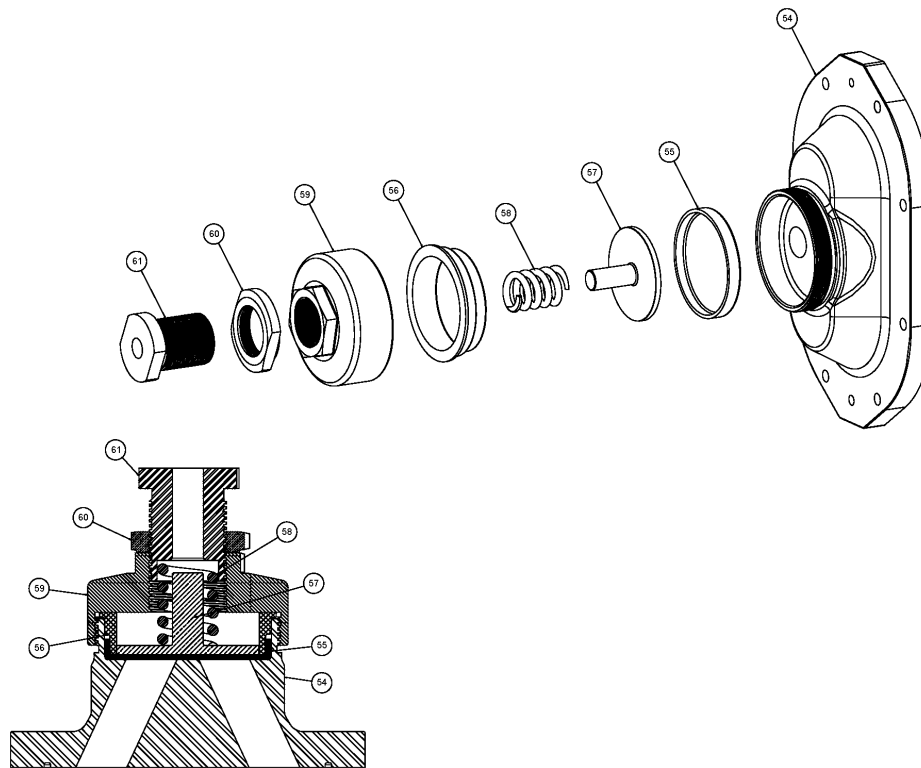
Ref #	Component Item No.	Description	Qty Per
101	N70338	O-RING, BODY (BUNA) - ZP1 220/224	2
	<i>E70338</i>	<i>O-RING, BODY (EPDM) - ZP1 220/224</i>	2
	<i>V70338</i>	<i>O-RING, BODY (VITON) - ZP1 220/224</i>	2
	<i>S75338</i>	<i>O-RING, BODY (SILICONE) - ZP1 220/224</i>	2
102	N70144	O-RING, SHAFT (BUNA) - ZP1 220/224	2
	<i>E70144</i>	<i>O-RING, SHAFT (EPDM) - ZP1 220/224</i>	2
	<i>V70144</i>	<i>O-RING, SHAFT (VITON) - ZP1 220/224</i>	2
	<i>S75144</i>	<i>O-RING, SHAFT (SILICONE) - ZP1 220/224</i>	2
123	P1GS220014009	SEAL SEAT (C) ZP1 220/224	2
	<i>P1GS220014002</i>	<i>SEAL SEAT (K) ZP1 220/224</i>	2
	<i>P1GS220014001</i>	<i>SEAL SEAT (CO) ZP1 220/224</i>	2
124	P1GS220306007	SEAL INNER (N) ZP1 220/224	2
	<i>P1GS40830</i>	<i>SEAL INNER (K) ZP1 220/224</i>	2
	<i>P1GS220306009</i>	<i>SEAL INNER (C) ZP1 220/224</i>	2
	<i>P1GS220306002</i>	<i>INNER SEAL (CO) ZP1 220/224</i>	2
125	P1GS220304000	INNER SEAL WAVE SPRING - ZP1 220/224	2



Double Mechanical Seal

Optional Items Shown in ITALICS

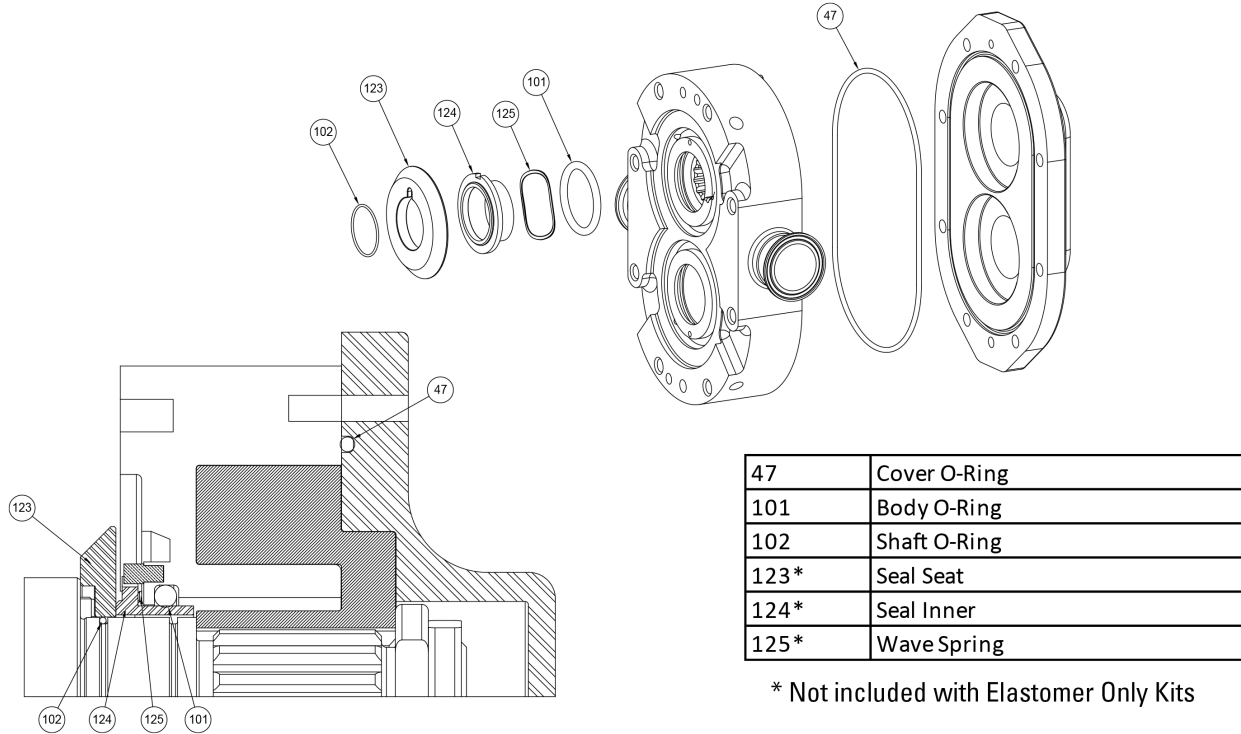
Ref #	Component Item No.	Description	Qty Per
101	N70338	O-RING, BODY (BUNA) - ZP1 220/224	2
	<i>E70338</i>	<i>O-RING, BODY (EPDM) - ZP1 220/224</i>	2
	<i>V70338</i>	<i>O-RING, BODY (VITON) - ZP1 220/224</i>	2
	<i>S75338</i>	<i>O-RING, BODY (SILICONE) - ZP1 220/224</i>	2
102	N70144	O-RING, SHAFT (BUNA) - ZP1 220/224	2
	<i>E70144</i>	<i>O-RING, SHAFT (EPDM) - ZP1 220/224</i>	2
	<i>V70144</i>	<i>O-RING, SHAFT (VITON) - ZP1 220/224</i>	2
	<i>S75144</i>	<i>O-RING, SHAFT (SILICONE) - ZP1 220/224</i>	2
123	P1GS220014009	SEAL SEAT (C) ZP1 220/224	2
	<i>P1GS220014002</i>	<i>SEAL SEAT (K) ZP1 220/224</i>	2
	<i>P1GS220014001</i>	<i>SEAL SEAT (CO) ZP1 220/224</i>	2
124	P1GS220306007	SEAL INNER (N) ZP1 220/224	2
	<i>P1GS40830</i>	<i>SEAL INNER (K) ZP1 220/224</i>	2
	<i>P1GS220306009</i>	<i>SEAL INNER (C) ZP1 220/224</i>	2
	<i>P1GS220306002</i>	<i>SEAL INNER (CO) ZP1 220/224</i>	2
125	P1GS220304000	INNER SEAL WAVE SPRING - ZP1 220/224	2
136	N50344	O-RING, OUTER SEAL (BUNA) - ZP1 220/224	2
	<i>E50344</i>	<i>O-RING, OUTER SEAL (EPDM) - ZP1 220/224</i>	2
	<i>V50344</i>	<i>O-RING, OUTER SEAL (VITON) - ZP1 220/224</i>	2
137	P1GS220206007	OUTER SEAL (N) ZP1 220/224	2
	<i>P1GS220206002</i>	<i>OUTER SEAL (CO) ZP1 220/224</i>	2



Pressure Relief Cover

Optional Items Shown in ITALICS

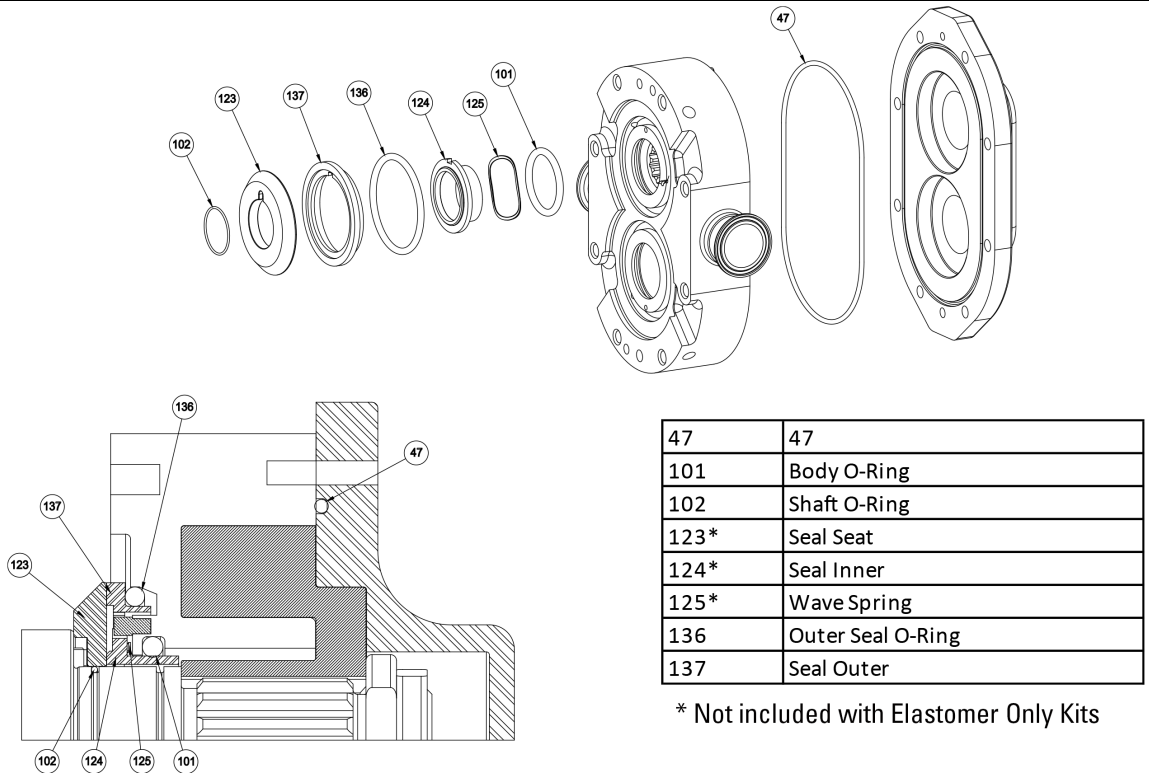
Ref #	Component Item No.	Description	Qty Per
54	P1CVRGD0002VS0	VENTED FRONT COVER, ZP1 - 220/224	1
55	P1GXGD0078000	RUBBER DIAPHRAGM, BUNA, ZP1 & ZP2 & ZP3 - 180/184/220/224	1
	<i>P1GXGD0078V00</i>	<i>RUBBER DIAPHRAGM, VITON, ZP1 & ZP2 & ZP3 - 180/184/220/224</i>	1
56	P1SXGD0077000	DIAPHRAGM BUSHING, ZP1 & ZP2 & ZP3 - 180/184/220/224	1
57	P1SXGD0073000	SPRING PLUNGER, ZP1 & ZP2 & ZP3 - 180/184/220/224	1
58	P1SX113400	SPRING, MEDIUM, (LESS THAN 150 PSI), ZP1 & ZP2 & ZP3 - 180/184/220/224	1
	<i>P1SX113524</i>	<i>SPRING, HIGH, (MORE THAN 150 PSI), ZP1 & ZP2 & ZP3 - 180/184/220/224</i>	1
59	P1SXGD0075000	COVER NUT, ZP1 & ZP2 & ZP3 - 180/184/220/224	1
60	P1SXGD0074000	LOCKNUT, ZP1 & ZP2 & ZP3 - 60/64/130/134/180/184/220/224	1
61	P1SX113657	ADJUSTING SCREW, ZP1 & ZP2 & ZP3 - 60/64/130/134/180/184/220/224	1



Single Mechanical Seal Kit

Optional Items Shown in ITALICS

Ref #	Component Item No.	Description	Qty Per
1	P1GX220000-N	SEAL KIT, SGL MECH, ELASTOMERS ONLY, BUNA - ZP1 220/224	1
	<i>P1GX220000-E</i>	<i>SEAL KIT, SGL MECH, ELASTOMERS ONLY, EPDM - ZP1 220/224</i>	<i>1</i>
	<i>P1GX220000-V</i>	<i>SEAL KIT, SGL MECH, ELASTOMERS ONLY, VITON - ZP1 220/224</i>	<i>1</i>
2	P1GS220000-N	SEAL KIT, SGL MECH, SC/CA, BUNA - ZP1 220/224	1
	<i>P1GS220000-E</i>	<i>SEAL KIT, SGL MECH, SC/CA, EPDM - ZP1 220/224</i>	<i>1</i>
	<i>P1GS220000-V</i>	<i>SEAL KIT, SGL MECH, SC/CA, VITON - ZP1 220/224</i>	<i>1</i>
3	P1GS220020-N	SEAL KIT, SGL MECH, CE/CA, BUNA - ZP1 220/224	1
	<i>P1GS220020-E</i>	<i>SEAL KIT, SGL MECH, CE/CA, EPDM - ZP1 220/224</i>	<i>1</i>
	<i>P1GS220020-V</i>	<i>SEAL KIT, SGL MECH, CE/CA, VITON - ZP1 220/224</i>	<i>1</i>
5	P1GS220010-N	SEAL KIT, SGL MECH, SC/SC, BUNA - ZP1 220/224	1
	<i>P1GS220010-E</i>	<i>SEAL KIT, SGL MECH, SC/SC, EPDM - ZP1 220/224</i>	<i>1</i>
	<i>P1GS220010-V</i>	<i>SEAL KIT, SGL MECH, SC/SC, VITON - ZP1 220/224</i>	<i>1</i>



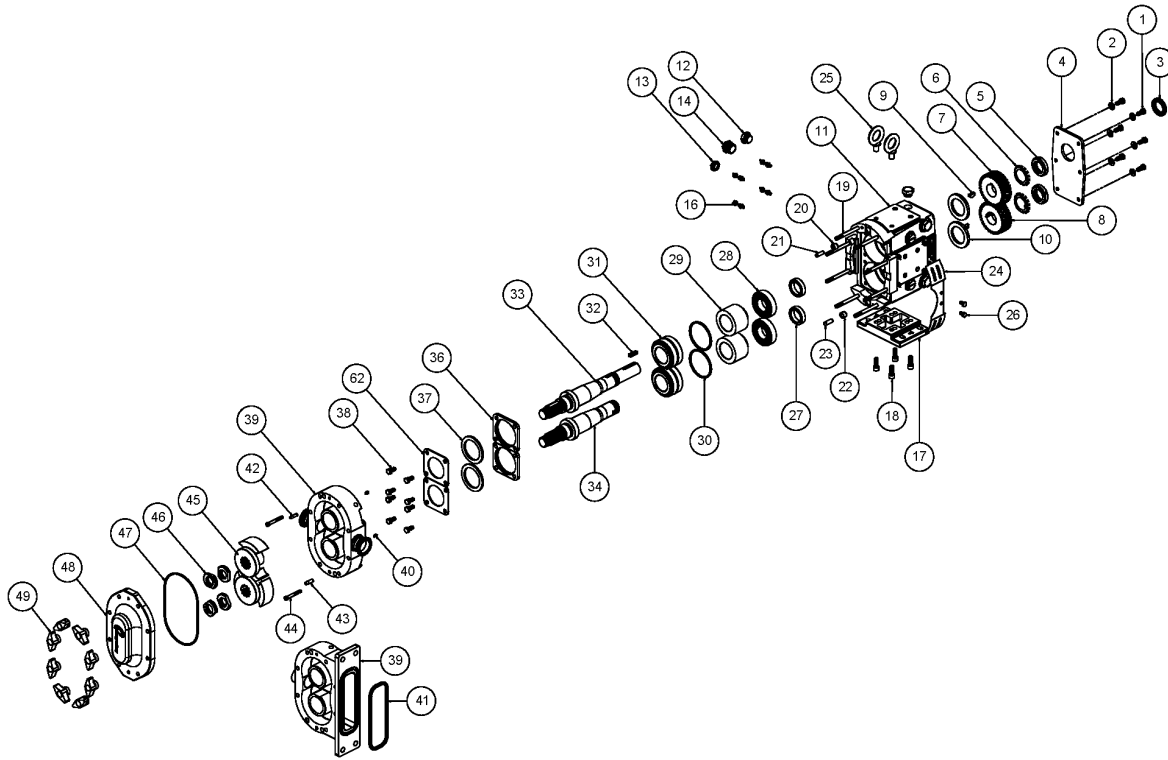
47	47
101	Body O-Ring
102	Shaft O-Ring
123*	Seal Seat
124*	Seal Inner
125*	Wave Spring
136	Outer Seal O-Ring
137	Seal Outer

* Not included with Elastomer Only Kits

Double Mechanical Seal Kit

Optional Items Shown in ITALICS

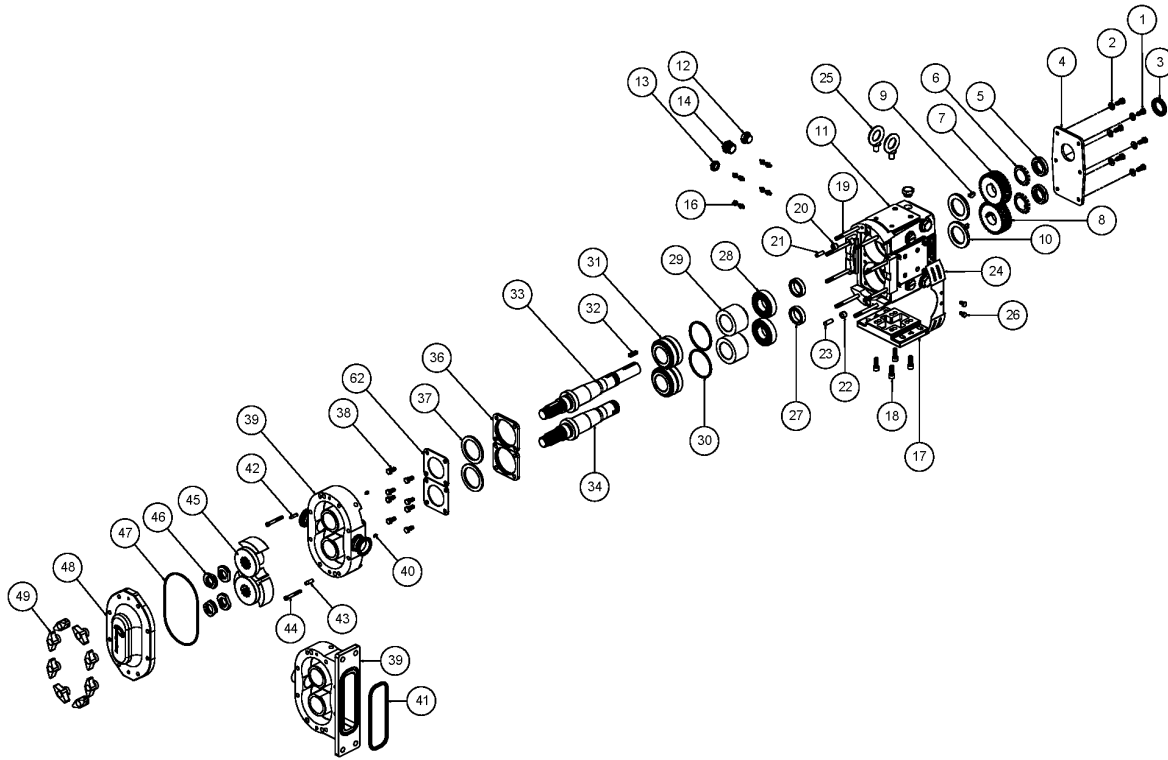
Ref #	Component Item No.	Description	Qty Per
1	P1GX220200-N	SEAL KIT, DBL MECH, ELASTOMERS ONLY, BUNA - ZP1 220/224	1
	<i>P1GX220200-E</i>	<i>SEAL KIT, DBL MECH, ELASTOMERS ONLY, EPDM - ZP1 220/224</i>	<i>1</i>
	<i>P1GX220200-V</i>	<i>SEAL KIT, DBL MECH, ELASTOMERS ONLY, VITON - ZP1 220/224</i>	<i>1</i>
2	P1GS220200-N	SEAL KIT, DBL MECH, SC/CA/CA, BUNA - ZP1 220/224	1
	<i>P1GS220200-E</i>	<i>SEAL KIT, DBL MECH, SC/CA/CA, EPDM - ZP1 220/224</i>	<i>1</i>
	<i>P1GS220200-V</i>	<i>SEAL KIT, DBL MECH, SC/CA/CA, VITON - ZP1 220/224</i>	<i>1</i>
3	P1GS220220-N	SEAL KIT, DBL MECH, CE/CA/CA, BUNA - ZP1 220/224	1
	<i>P1GS220220-E</i>	<i>SEAL KIT, DBL MECH, CE/CA/CA, EPDM - ZP1 220/224</i>	<i>1</i>
	<i>P1GS220220-V</i>	<i>SEAL KIT, DBL MECH, CE/CA/CA, VITON - ZP1 220/224</i>	<i>1</i>
5	P1GS220210-N	SEAL KIT, DBL MECH, SC/SC/CA, BUNA - ZP1 220/224	1
	<i>P1GS220210-E</i>	<i>SEAL KIT, DBL MECH, SC/SC/CA, EPDM - ZP1 220/224</i>	<i>1</i>
	<i>P1GS220210-V</i>	<i>SEAL KIT, DBL MECH, SC/SC/CA, VITON - ZP1 220/224</i>	<i>1</i>



Exploded View

Optional Items Shown in ITALICS

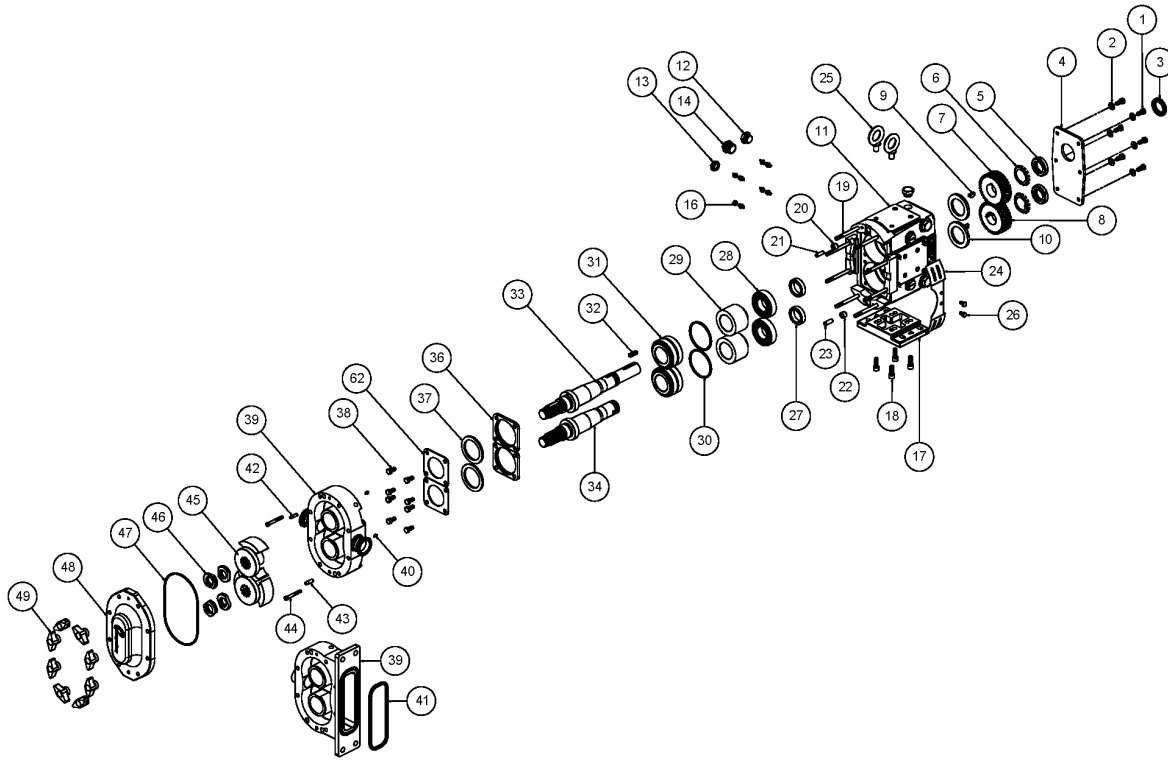
Ref #	Component Item No.	Description	Qty Per
1	P1GX30-50	GEAR CASE COVER BOLT - 3/8-16 X 3/4 HHCS (18-8 SS)	6
2	P1GX43-189	GEAR CASE COVER WASHER - 3/8 FLAT WASHER (18-8 SS)	6
3	P1GXSTD030006-ND	OIL SEAL, PTFE, GEAR CASE COVER - ZP1 & ZP2 220/223/224	1
	<i>P1GXSTD030006</i>	<i>OIL SEAL, GEAR CASE COVER - ZP1 & ZP2 220/223/224</i>	<i>1</i>
4	P1SX230106000	GEAR CASE COVER, SS - ZP1 & ZP2 180/220/224	1
5	P1GXSTD236011	GEAR LOCKNUT ZP1 & ZP2 220/223/224	2
6	P1GXSTD136011	GEAR LOCKWASHER ZP1 & ZP2 220/223/224	2
7	P1GX220007001	GEAR DRIVE SHAFT ZP1 & ZP2 180/220/224	1
8	P1GX220007002	GEAR SHORT SHAFT ZP1 & ZP2 180/220/224	1
9	P1GX200037000	GEAR KEY - ZP1 & ZP2 180/220/224	2
10	P1GXSTD119002	OIL SEAL REAR - ZP1 & ZP2 220/223/224	2
11	P1SX230005000	GEAR CASE, SS - ZP1 & ZP2 180/220/224	1
12	P1GX115798	PLUG,HEX,20M X1.5,W/NBR SEAL	5
13	P1GX115799	GAUGE,OIL,LVL,INDIC,M-20X1.5	1
14	P1GX70PLUG-SS	CLEAN OUT PLUG, SS - ZP1 & ZP2 45/60/64/130/134	4
	<i>P1GX70PLUG</i>	<i>CLEAN OUT PLUG, YELLOW - ZP1 & ZP2 45/60/64/130/134</i>	<i>4</i>
16	P1GXBD0092001	GREASE FITTING, THREADED 1/4"-28 TAPER, SS	8
17	P1SX230110000	GEAR CASE BASE, SS - ZP1 & ZP2 180/220/224	1
18	P1GX30-44	SHCS, G. CASE BASE, (18-8 SS) 1/2-13 X 2" ZP1 & ZP2 220/223	4
19	P1GX108844	STUD, ZP1 220	8
	<i>P1GX108847</i>	<i>STUD, JACKETED COVER, ZP1 220</i>	<i>8</i>
20	P1GXCD0116000	UPPER DOWEL BUSHING - ZP1 & ZP2 45/60/64/130/134/180/220/224	1
21	P1GX124584	DOWEL PIN - ZP1 & ZP2 45/60/64/130/134	1
22	P1GXCD0116100	LOWER DOWEL BUSHING - ZP1 & ZP2 45/60/64/130/134/180/220/224	1
23	P1GX124586	DOWEL PIN - ZP1 & ZP2 45/60/64/130/134	1
24	P1SX230CEGUARD	GUARD,220/224,(CE),GC,SS	2



Exploded View

Optional Items Shown in ITALICS

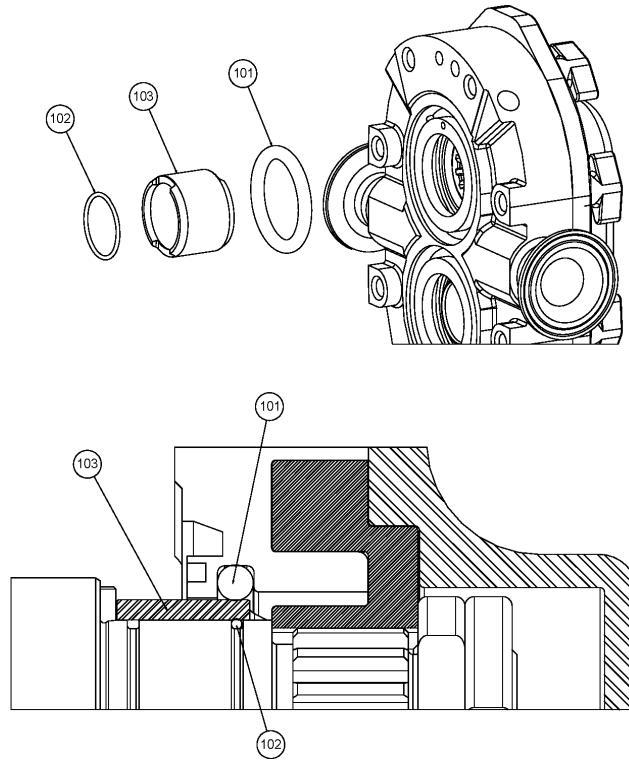
Ref #	Component Item No.	Description	Qty Per
25	P1GXKEYBOLT-SS	EYE BOLT,60-224,SS	2
26	P1GX000CENAIL	DRIVENAIL,ZP,GEAR CASE GUARDS	4
27	P1GX40878	GEAR TO REAR BEARING SPACER - ZP1 & ZP2 180/184/220/223/224	2
28	P1GX200035000	REAR BEARING - ZP1 & ZP2 220/223/224	2
29	P1GX40752	BEARING SPACER - ZP1 & ZP2 180/184/220/223/224	2
30	P1GX117892	SHIM KIT - ZP1 & ZP2 180/220/224	2
31	P1GX200036000	FRONT BEARING - ZP1 & ZP2 220/223/224	2
32	P1GX000037004	DRIVE KEY, 1/2" SQ. X 1" - ZP1 & ZP2 180/220/224	1
33	P1SX220008001	DRIVE SHAFT (17-4PH) - ZP1 220/224	1
34	P1SX220009001	SHORT SHAFT (17-4PH) - ZP1 220/224	1
36	P1SX121829	BEARING RETAINER, NEW STYLE 3A - ZP1 & ZP2 180/220/224	2
37	P1GXSTD030002-ND	GREASE SEAL, PTFE, FRONT BEARING RET. - ZP1 & ZP2 220/223/224	2
	<i>P1GXSTD030002</i>	<i>GREASE SEAL FRONT BEARING RET. - ZP1 & ZP2 220/223/224</i>	2
38	GX5077200	CAPSCRW,HX,3/8-16X1-1/4,18-8SS HX HD	8
39	P1BDY220001000	BODY - ZP1 220	1
	<i>P1BDY220001F00</i>	<i>BODY - ZP1 220 - FLUSHED</i>	1
40	P1GX223126000	SEAL STOP PIN - ZP1 60/64/130/134/220/224	2
42	P1GX124584	DOWEL PIN - ZP1 & ZP2 45/60/64/130/134	1
43	P1GX124586	DOWEL PIN - ZP1 & ZP2 45/60/64/130/134	1
44	P1GX30-499	CAPSCRW,SH,3/8-16X4-1/2,18-8SS SCKT HD	2
45	P1RTB220010000	ROTOR TWIN BLADE - ALLOY 88 - ZP1 220/224	2
	<i>P1RTB22001000H</i>	<i>ROTOR TWIN BLADE - ALLOY 88 - ZP1 220/224 - HOT CLEARANCE</i>	2
	<i>P1RTB2200100HC</i>	<i>ROTOR TWIN BLADE - ALLOY 88 - ZP1 220/224 - HOT CHOCOLATE</i>	2
	<i>P1RTB220010200</i>	<i>ROTOR TWIN BLADE - 316L - ZP1 220/224</i>	2
	<i>P1RSW220010010</i>	<i>ROTOR SINGLE WING - ALLOY 88 - ZP1 220/224 - STRAIGHT</i>	1
	<i>P1RSW220010090</i>	<i>ROTOR SINGLE WING - ALLOY 88 - ZP1 220/224 - 90°</i>	1



Exploded View

Optional Items Shown in ITALICS

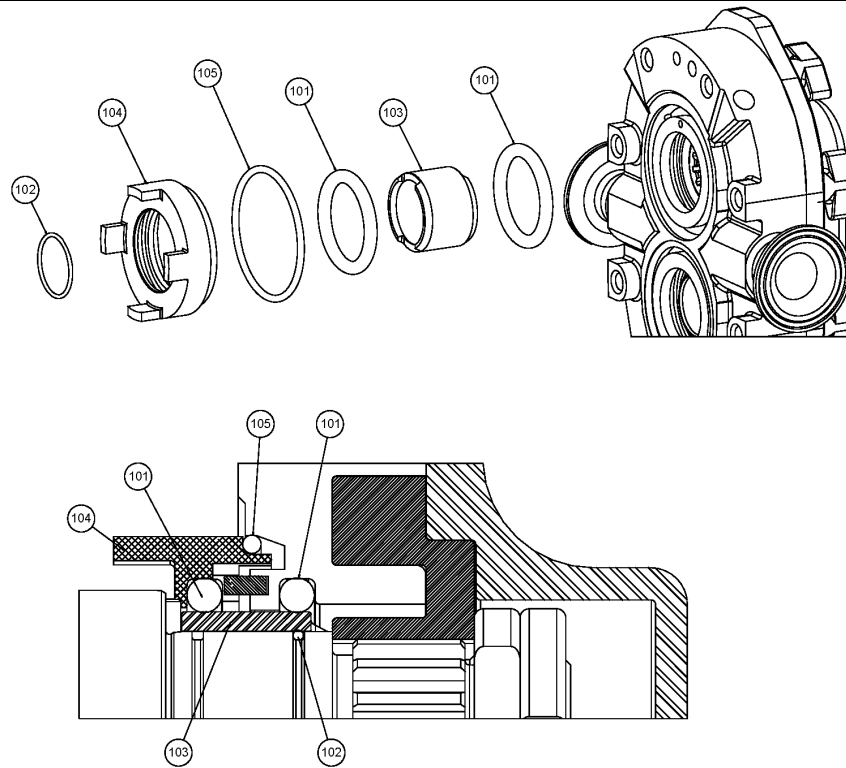
Ref #	Component Item No.	Description	Qty Per
46	P1SXGD0052001	ROTOR JAM NUT - ZP1 220/224	4
47	P1GXGD0117000	O-RING, COVER (BUNA) - ZP1 220/224	1
	<i>P1GXGD0117SC0</i>	<i>O-RING, COVER (SILICONE) - ZP1 220/224</i>	<i>1</i>
	<i>P1GXGD0117V00</i>	<i>O-RING, COVER (VITON) - ZP1 220/224</i>	<i>1</i>
	<i>P1GXGD0117002</i>	<i>O-RING, COVER (EPDM) - ZP1 220/224</i>	<i>1</i>
48	P1CVRGD0002S00	COVER - ZP1 220/224	1
	<i>P1CVRGD0002J10</i>	<i>COVER, JACKETED - ZP1 220/224</i>	<i>1</i>
49	P1GX105853	WING NUT - ZP1 & ZP2 180/220/224	8
	<i>P1SX108372</i>	<i>COVER HEX NUT - ZP1 & ZP2 180/220/224</i>	<i>8</i>
62	P1SX230SPLATE	BEARING RETAINER SPLASH PLATE - ZP1 & ZP2 180/220/224	2
900	P1GXAD0096001	PICK,COMBO,O-RING ZP1 ZP2	1
901	P1GX000140003	OIL,460FG,MAGNAPLT,1GAL ZP	1
902	P1GX000140002	GREASE,HALO GUARD,14OZ TUBE ZP	1
903	P1GXRTVSEAL	SILICONE,DOW,732,30Z ZP1 ZP2	1
904	P1GX109898	WRENCH,220/224,RTR NUT ZP1	1



Single O-Ring Seal

Optional Items Shown in ITALICS

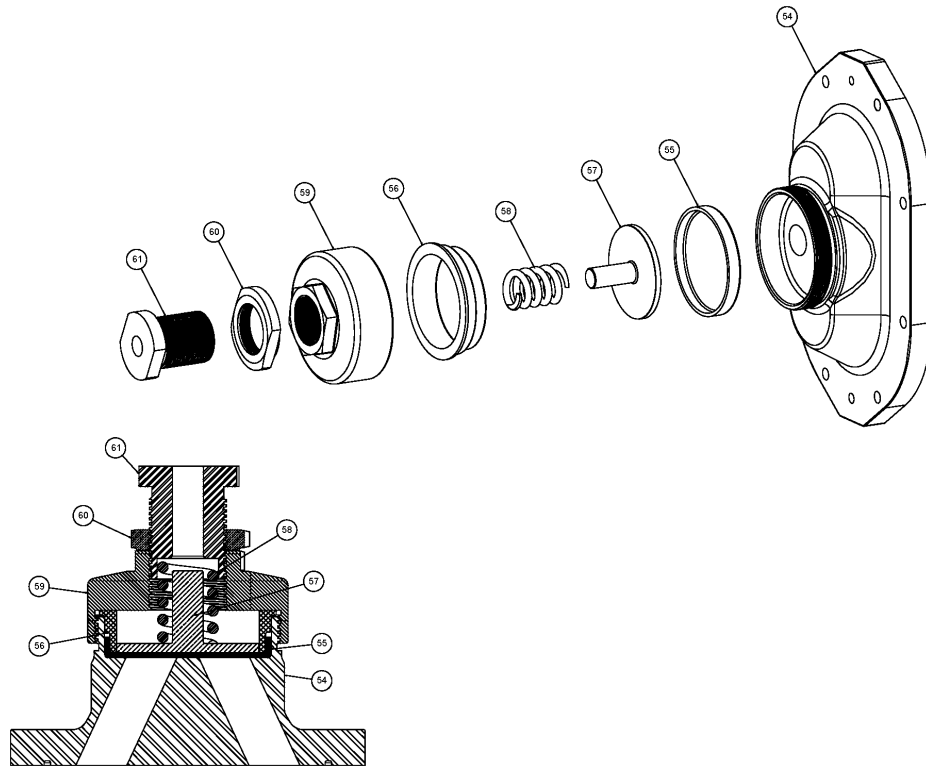
Ref #	Component Item No.	Description	Qty Per
101	N70338	O-RING, BODY (BUNA) - ZP1 220/224	2
	<i>E70338</i>	<i>O-RING, BODY (EPDM) - ZP1 220/224</i>	2
	<i>V70338</i>	<i>O-RING, BODY (VITON) - ZP1 220/224</i>	2
	<i>S75338</i>	<i>O-RING, BODY (SILICONE) - ZP1 220/224</i>	2
102	N70144	O-RING, SHAFT (BUNA) - ZP1 220/224	2
	<i>E70144</i>	<i>O-RING, SHAFT (EPDM) - ZP1 220/224</i>	2
	<i>V70144</i>	<i>O-RING, SHAFT (VITON) - ZP1 220/224</i>	2
	<i>S75144</i>	<i>O-RING, SHAFT (SILICONE) - ZP1 220/224</i>	2
103	P1SX220098001	SLEEVE (17-4PH H900) - ZP1 220/224 - SLOTTED	2
	<i>P1SX220098004</i>	<i>ZIRCONIA SLEEVE - ZP1 220/224</i>	2
	<i>P1SX220098002</i>	<i>CHROME OXIDE SLEEVE (316L) - ZP1 220/224</i>	2



Double O-Ring Seal

Optional Items Shown in ITALICS

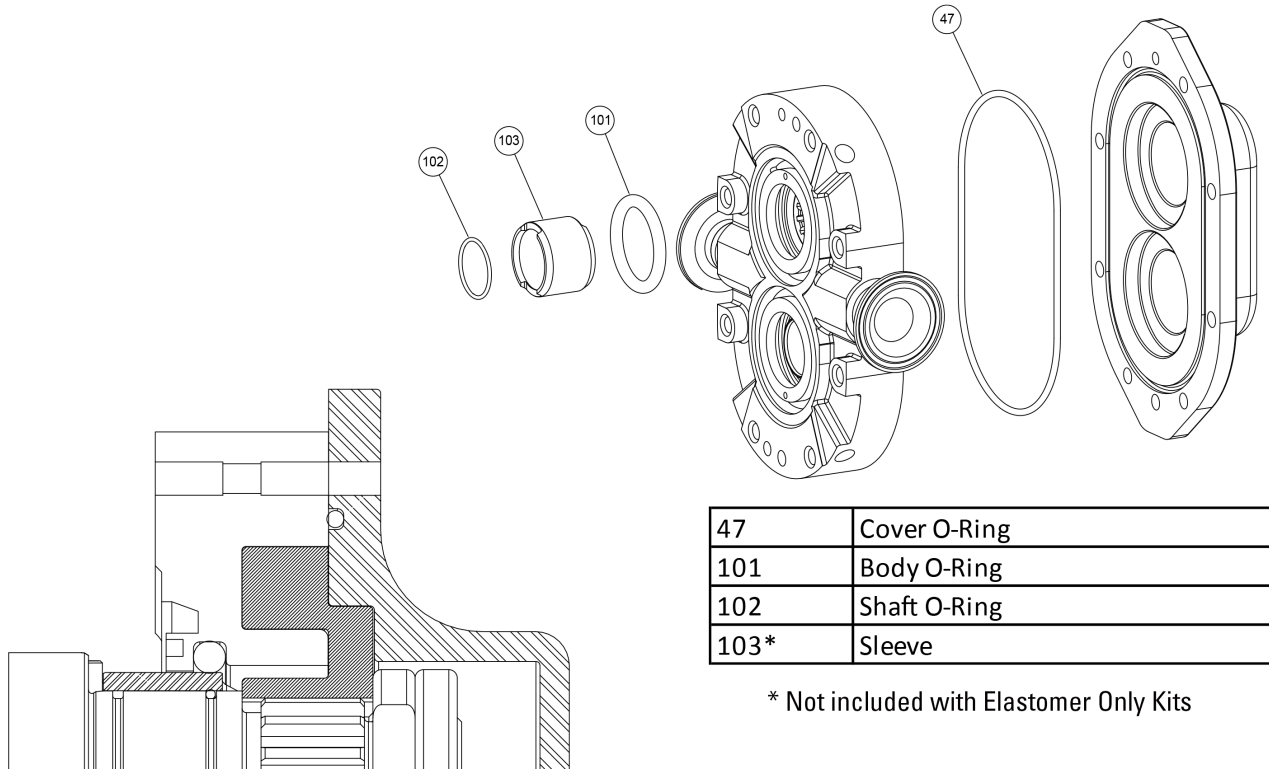
Ref #	Component Item No.	Description	Qty Per
101	N70338	O-RING, BODY (BUNA) - ZP1 220/224	4
	<i>E70338</i>	<i>O-RING, BODY (EPDM) - ZP1 220/224</i>	4
	<i>V70338</i>	<i>O-RING, BODY (VITON) - ZP1 220/224</i>	4
	<i>S75338</i>	<i>O-RING, BODY (SILICONE) - ZP1 220/224</i>	4
102	N70144	O-RING, SHAFT (BUNA) - ZP1 220/224	2
	<i>E70144</i>	<i>O-RING, SHAFT (EPDM) - ZP1 220/224</i>	2
	<i>V70144</i>	<i>O-RING, SHAFT (VITON) - ZP1 220/224</i>	2
	<i>S75144</i>	<i>O-RING, SHAFT (SILICONE) - ZP1 220/224</i>	2
103	P1SX220098001	SLEEVE (17-4PH H900) - ZP1 220/224 - SLOTTED	2
	<i>P1SX220098004</i>	<i>ZIRCONIA SLEEVE - ZP1 220/224</i>	2
	<i>P1SX220098002</i>	<i>CHROME OXIDE SLEEVE (316L) - ZP1 220/224</i>	2
104	P1SX220034002	O-RING SEAL CARRIER, 3A NEW STYLE - ZP1 220/224	2
105	N50344	O-RING, OUTER SEAL (BUNA) - ZP1 220/224	2
	<i>E50344</i>	<i>O-RING, OUTER SEAL (EPDM) - ZP1 220/224</i>	2
	<i>V50344</i>	<i>O-RING, OUTER SEAL (VITON) - ZP1 220/224</i>	2



Pressure Relief Cover

Optional Items Shown in ITALICS

Ref #	Component Item No.	Description	Qty Per
54	P1CVRGD0002VS0	VENTED FRONT COVER, ZP1 - 220/224	1
55	P1GXGD0078000	RUBBER DIAPHRAGM, BUNA, ZP1 & ZP2 & ZP3 - 180/184/220/224	1
	<i>P1GXGD0078V00</i>	<i>RUBBER DIAPHRAGM, VITON, ZP1 & ZP2 & ZP3 - 180/184/220/224</i>	1
56	P1SXGD0077000	DIAPHRAGM BUSHING, ZP1 & ZP2 & ZP3 - 180/184/220/224	1
57	P1SXGD0073000	SPRING PLUNGER, ZP1 & ZP2 & ZP3 - 180/184/220/224	1
58	P1SX113400	SPRING, MEDIUM, (LESS THAN 150 PSI), ZP1 & ZP2 & ZP3 - 180/184/220/224	1
	<i>P1SX113524</i>	<i>SPRING, HIGH, (MORE THAN 150 PSI), ZP1 & ZP2 & ZP3 - 180/184/220/224</i>	1
59	P1SXGD0075000	COVER NUT, ZP1 & ZP2 & ZP3 - 180/184/220/224	1
60	P1SXGD0074000	LOCKNUT, ZP1 & ZP2 & ZP3 - 60/64/130/134/180/184/220/224	1
61	P1SX113657	ADJUSTING SCREW, ZP1 & ZP2 & ZP3 - 60/64/130/134/180/184/220/224	1



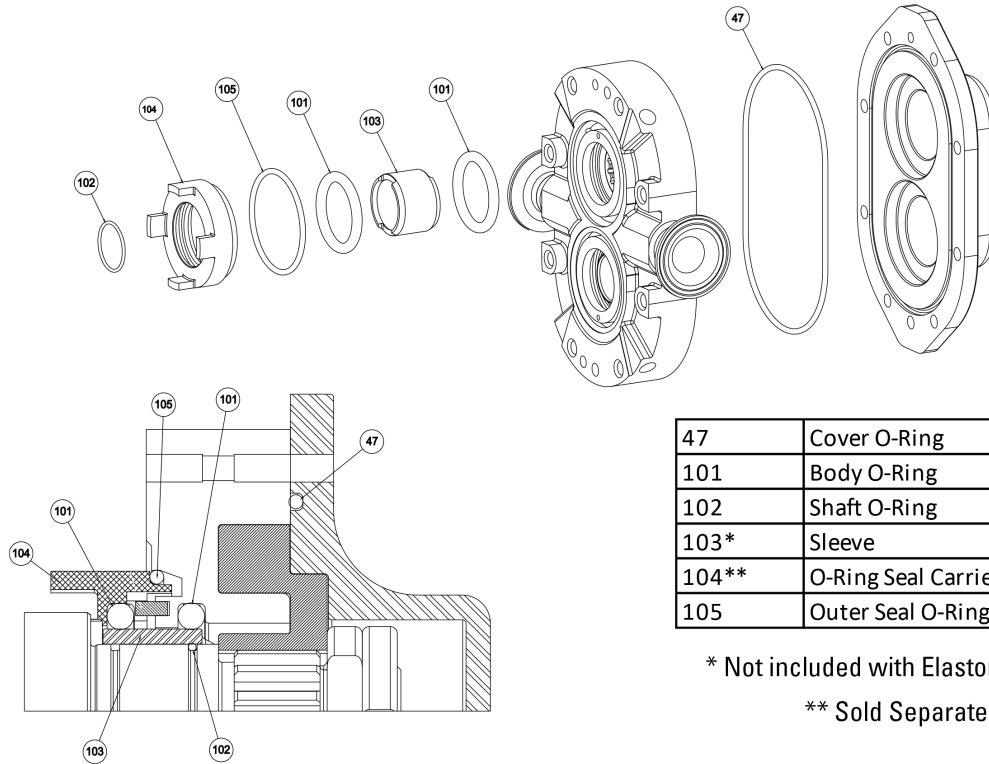
47	Cover O-Ring
101	Body O-Ring
102	Shaft O-Ring
103*	Sleeve

* Not included with Elastomer Only Kits

Single O-Ring Seal Kit

Optional Items Shown in ITALICS

Ref #	Component Item No.	Description	Qty Per
1	P1GX220000-N	SEAL KIT, SGL O-RING, ELASTOMERS ONLY, BUNA - ZP1 220/224	1
	<i>P1GX220000-E</i>	<i>SEAL KIT, SGL O-RING, ELASTOMERS ONLY, EPDM - ZP1 220/224</i>	<i>1</i>
	<i>P1GX220000-V</i>	<i>SEAL KIT, SGL O-RING, ELASTOMERS ONLY, VITON - ZP1 220/224</i>	<i>1</i>
2	P1GS22000S-N	SEAL KIT, SGL O-RING, 17-4 SS SLVS, BUNA - ZP1 220/224	1
	<i>P1GS22000S-E</i>	<i>SEAL KIT, SGL O-RING, 17-4 SS SLVS, EPDM - ZP1 220/224</i>	<i>1</i>
	<i>P1GS22000S-V</i>	<i>SEAL KIT, SGL O-RING, 17-4 SS SLVS, VITON - ZP1 220/224</i>	<i>1</i>
3	P1GS22000Z-N	SEAL KIT, SGL O-RING, ZIRCONIA SLVS, BUNA - ZP1 220/224	1
	<i>P1GS22000Z-E</i>	<i>SEAL KIT, SGL O-RING, ZIRCONIA SLVS, EPDM - ZP1 220/224</i>	<i>1</i>
	<i>P1GS22000Z-V</i>	<i>SEAL KIT, SGL O-RING, ZIRCONIA SLVS, VITON - ZP1 220/224</i>	<i>1</i>



47	Cover O-Ring
101	Body O-Ring
102	Shaft O-Ring
103*	Sleeve
104**	O-Ring Seal Carrier
105	Outer Seal O-Ring

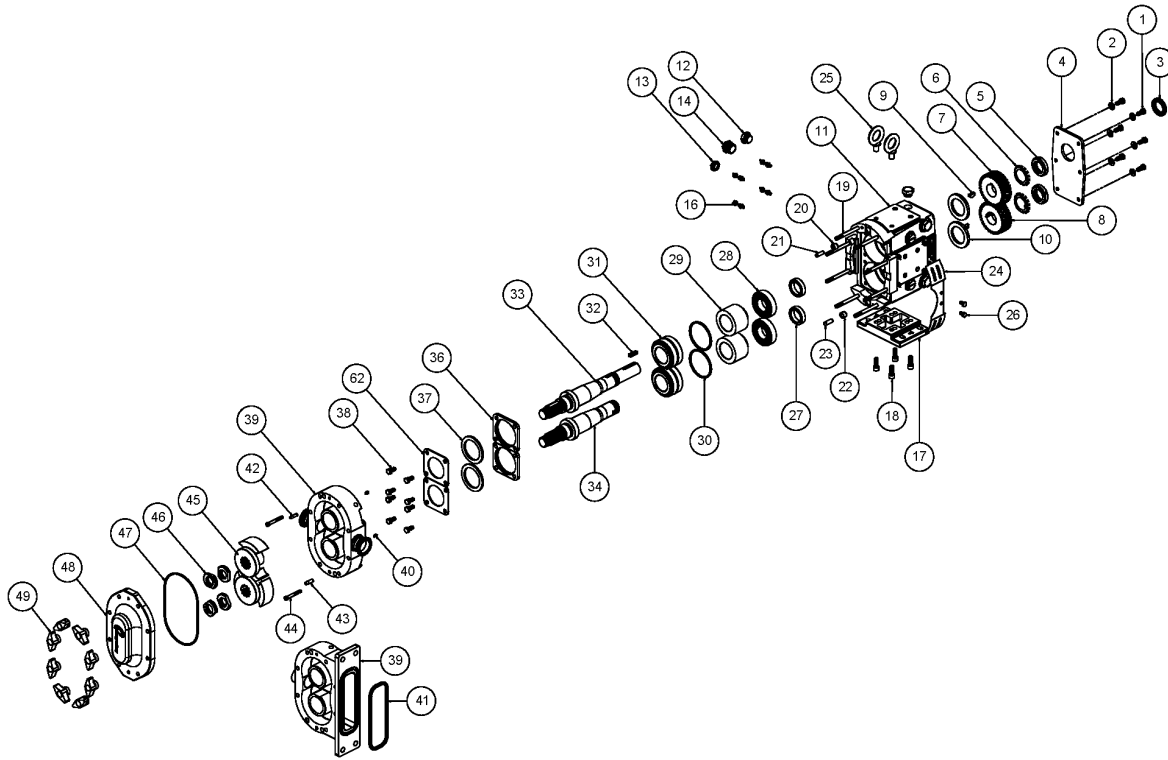
* Not included with Elastomer Only Kits

** Sold Separately

Double O-Ring Seal Kit

Optional Items Shown in ITALICS

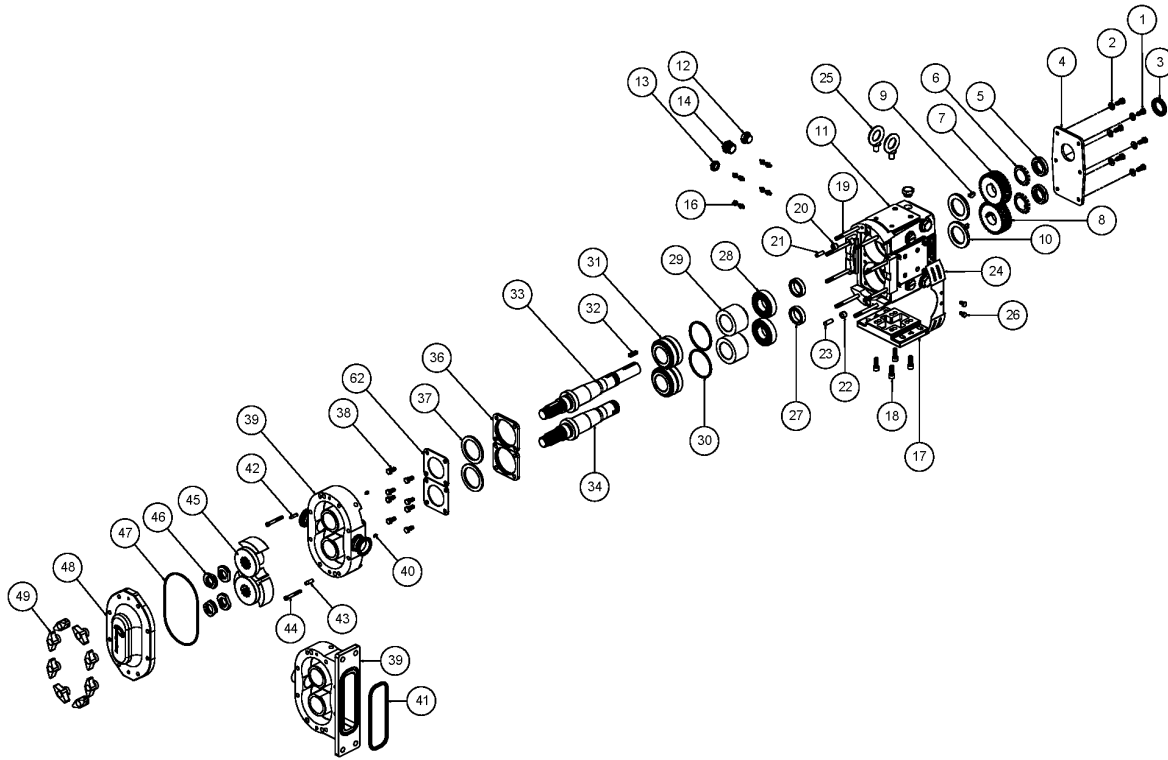
Ref #	Component Item No.	Description	Qty Per
1	P1GX220200-N	SEAL KIT, DBL O-RING, ELASTOMERS ONLY, BUNA - ZP1 220/224	1
	<i>P1GX220200-E</i>	<i>SEAL KIT, DBL O-RING, ELASTOMERS ONLY, EPDM - ZP1 220/224</i>	<i>1</i>
	<i>P1GX220200-V</i>	<i>SEAL KIT, DBL O-RING, ELASTOMERS ONLY, VITON - ZP1 220/224</i>	<i>1</i>
2	P1GS22020S-N	SEAL KIT, DBL O-RING, 17-4 SS SLVS, BUNA - ZP1 220/224	1
	<i>P1GS22020S-E</i>	<i>SEAL KIT, DBL O-RING, 17-4 SS SLVS, EPDM - ZP1 220/224</i>	<i>1</i>
	<i>P1GS22020S-V</i>	<i>SEAL KIT, DBL O-RING, 17-4 SS SLVS, VITON - ZP1 220/224</i>	<i>1</i>
3	P1GS22020Z-N	SEAL KIT, DBL O-RING, ZIRCONIA SLVS, BUNA - ZP1 220/224	1
	<i>P1GS22020Z-E</i>	<i>SEAL KIT, DBL O-RING, ZIRCONIA SLVS, EPDM - ZP1 220/224</i>	<i>1</i>
	<i>P1GS22020Z-V</i>	<i>SEAL KIT, DBL O-RING, ZIRCONIA SLVS, VITON - ZP1 220/224</i>	<i>1</i>



Exploded View

Optional Items Shown in ITALICS

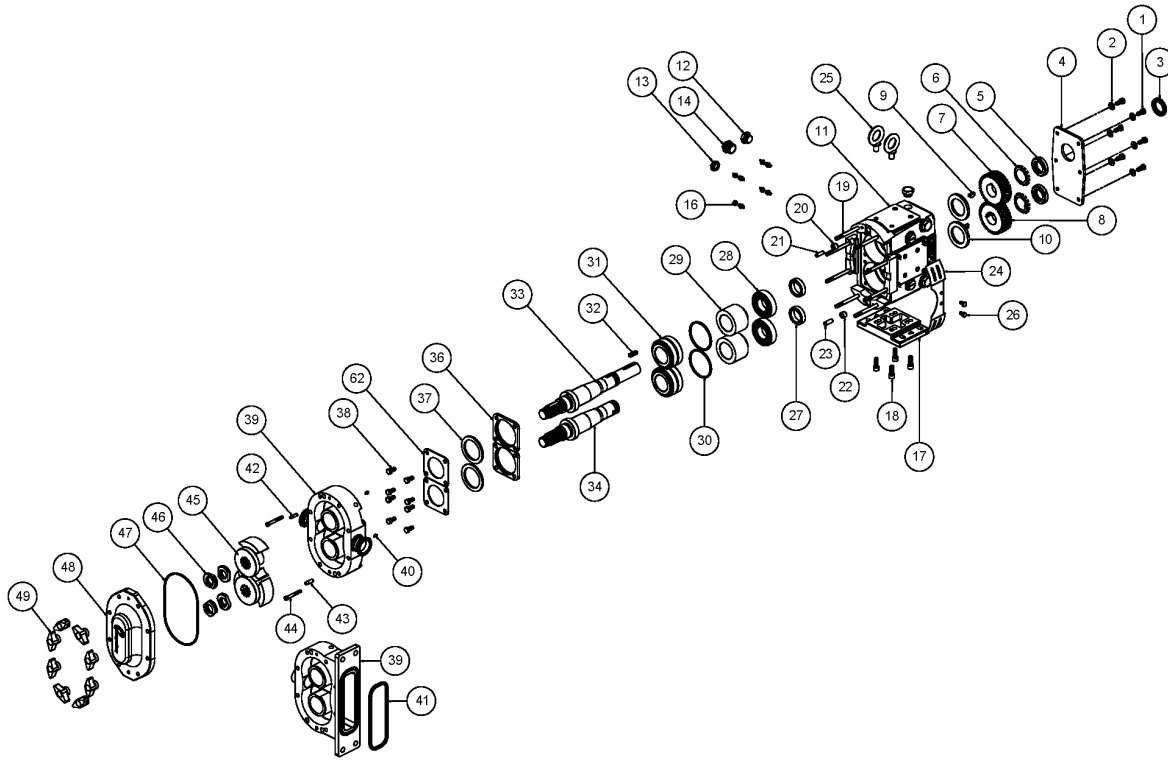
Ref #	Component Item No.	Description	Qty Per
1	P1GX220200-N	SEAL KIT, DBL MECH, ELASTOMERS ONLY, BUNA - ZP1 220/224	1
	P1GX30-50	GEAR CASE COVER BOLT - 3/8-16 X 3/4 HHCS (18-8 SS)	6
	<i>P1GX220200-E</i>	<i>SEAL KIT, DBL MECH, ELASTOMERS ONLY, EPDM - ZP1 220/224</i>	<i>1</i>
	<i>P1GX220200-V</i>	<i>SEAL KIT, DBL MECH, ELASTOMERS ONLY, VITON - ZP1 220/224</i>	<i>1</i>
2	P1GS220200-N	SEAL KIT, DBL MECH, SC/CA/CA, BUNA - ZP1 220/224	1
	P1GX43-189	GEAR CASE COVER WASHER - 3/8 FLAT WASHER (18-8 SS)	6
	<i>P1GS220200-E</i>	<i>SEAL KIT, DBL MECH, SC/CA/CA, EPDM - ZP1 220/224</i>	<i>1</i>
	<i>P1GS220200-V</i>	<i>SEAL KIT, DBL MECH, SC/CA/CA, VITON - ZP1 220/224</i>	<i>1</i>
3	P1GS220220-N	SEAL KIT, DBL MECH, CE/CA/CA, BUNA - ZP1 220/224	1
	P1GXSTD030006-ND	OIL SEAL, PTFE, GEAR CASE COVER - ZP1 & ZP2 220/223/224	1
	<i>P1GS220220-E</i>	<i>SEAL KIT, DBL MECH, CE/CA/CA, EPDM - ZP1 220/224</i>	<i>1</i>
	<i>P1GXSTD030006</i>	<i>OIL SEAL, GEAR CASE COVER - ZP1 & ZP2 220/223/224</i>	<i>1</i>
	<i>P1GS220220-V</i>	<i>SEAL KIT, DBL MECH, CE/CA/CA, VITON - ZP1 220/224</i>	<i>1</i>
4	P1SX230106000	GEAR CASE COVER, SS - ZP1 & ZP2 180/220/224	1
5	P1GS220210-N	SEAL KIT, DBL MECH, SC/SC/CA, BUNA - ZP1 220/224	1
	P1GXSTD236011	GEAR LOCKNUT ZP1 & ZP2 220/223/224	2
	<i>P1GS220210-E</i>	<i>SEAL KIT, DBL MECH, SC/SC/CA, EPDM - ZP1 220/224</i>	<i>1</i>
	<i>P1GS220210-V</i>	<i>SEAL KIT, DBL MECH, SC/SC/CA, VITON - ZP1 220/224</i>	<i>1</i>
6	P1GXSTD136011	GEAR LOCKWASHER ZP1 & ZP2 220/223/224	2
7	P1GX220007001	GEAR DRIVE SHAFT ZP1 & ZP2 180/220/224	1
8	P1GX220007002	GEAR SHORT SHAFT ZP1 & ZP2 180/220/224	1
9	P1GX200037000	GEAR KEY - ZP1 & ZP2 180/220/224	2
10	P1GXSTD119002	OIL SEAL REAR - ZP1 & ZP2 220/223/224	2
11	P1SX230005000	GEAR CASE, SS - ZP1 & ZP2 180/220/224	1
12	P1GX115798	PLUG,HEX,20M X1.5,W/NBR SEAL	5
13	P1GX115799	GAUGE,OIL,LVL,INDIC,M-20X1.5	1



Exploded View

Optional Items Shown in ITALICS

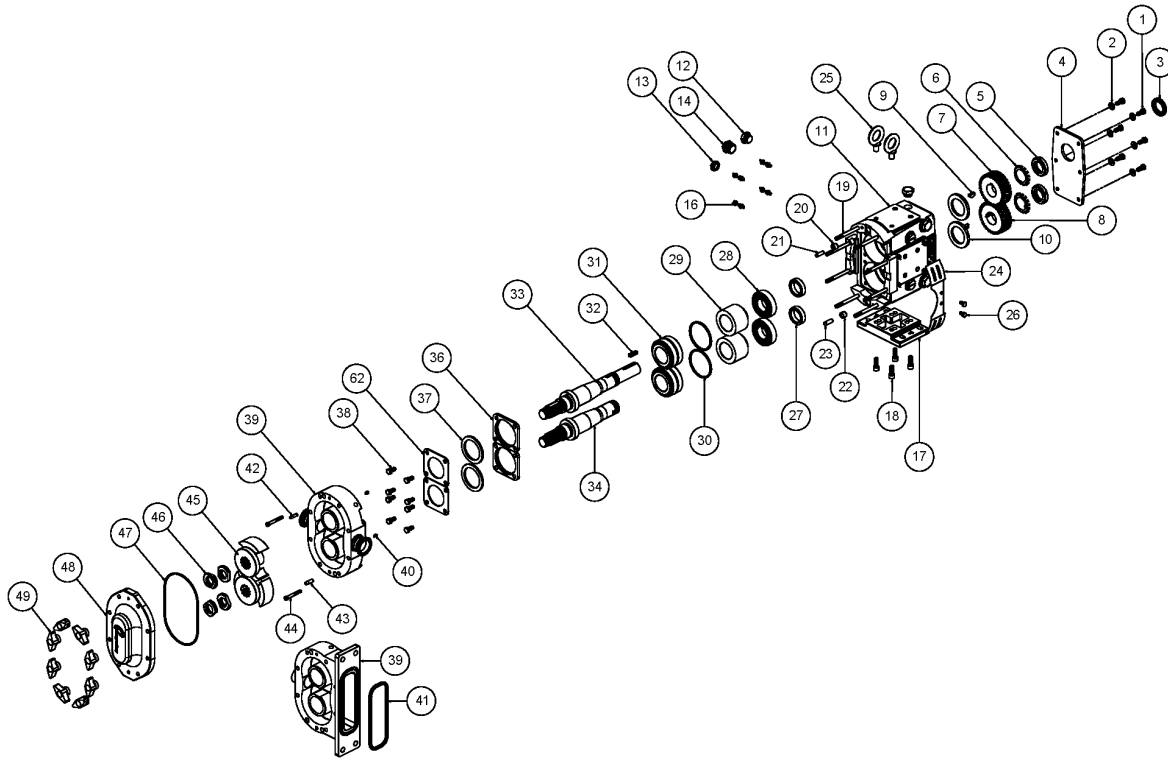
Ref #	Component Item No.	Description	Qty Per
14	P1GX70PLUG-SS	CLEAN OUT PLUG, SS - ZP1 & ZP2 45/60/64/130/134	4
	<i>P1GX70PLUG</i>	<i>CLEAN OUT PLUG, YELLOW - ZP1 & ZP2 45/60/64/130/134</i>	4
16	P1GXB0092001	GREASE FITTING, THREADED 1/4"-28 TAPER, SS	8
17	P1SX230110000	GEAR CASE BASE, SS - ZP1 & ZP2 180/220/224	1
18	P1GX30-44	SHCS, G. CASE BASE, (18-8 SS) 1/2-13 X 2" ZP1 & ZP2 220/223	4
19	P1GX108844	STUD, ZP1 224	6
	P1GX35550	STUD, SHORT, ZP1 224	2
20	P1GXCD0116000	UPPER DOWEL BUSHING - ZP1 & ZP2 45/60/64/130/134/180/220/224	1
21	P1GX124584	DOWEL PIN - ZP1 & ZP2 45/60/64/130/134	1
22	P1GXCD0116100	LOWER DOWEL BUSHING - ZP1 & ZP2 45/60/64/130/134/180/220/224	1
23	P1GX124586	DOWEL PIN - ZP1 & ZP2 45/60/64/130/134	1
24	P1SX230CEGUARD	GUARD,220/224,(CE),GC,SS	2
25	P1GXEYEBOLT-SS	EYE BOLT,60-224,SS	2
26	P1GX000CENAIL	DRIVENAIL,ZP,GEAR CASE GUARDS	4
27	P1GX40878	GEAR TO REAR BEARING SPACER - ZP1 & ZP2 180/184/220/223/224	2
28	P1GX200035000	REAR BEARING - ZP1 & ZP2 220/223/224	2
29	P1GX40752	BEARING SPACER - ZP1 & ZP2 180/184/220/223/224	2
30	P1GX117892	SHIM KIT - ZP1 & ZP2 180/220/224	2
31	P1GX200036000	FRONT BEARING - ZP1 & ZP2 220/223/224	2
32	P1GX000037004	DRIVE KEY, 1/2" SQ. X 1" - ZP1 & ZP2 180/220/224	1
33	P1SX220008001	DRIVE SHAFT (17-4PH) - ZP1 220/224	1
34	P1SX220009001	SHORT SHAFT (17-4PH) - ZP1 220/224	1
36	P1SX121829	BEARING RETAINER, NEW STYLE 3A - ZP1 & ZP2 180/220/224	2
37	P1GXSTD030002-ND	GREASE SEAL, PTFE, FRONT BEARING RET. - ZP1 & ZP2 220/223/224	2
	<i>P1GXSTD030002</i>	<i>GREASE SEAL FRONT BEARING RET. - ZP1 & ZP2 220/223/224</i>	2
38	GX5077200	CAPSCRW,HX,3/8-16X1-1/4,18-8SS HX HD	8



Exploded View

Optional Items Shown in ITALICS

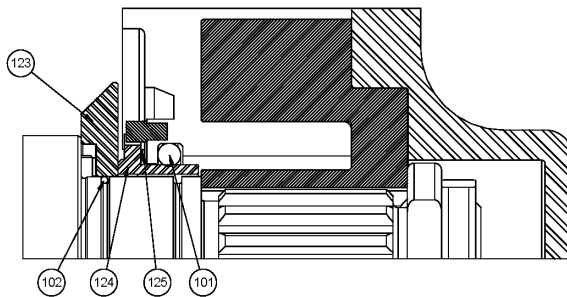
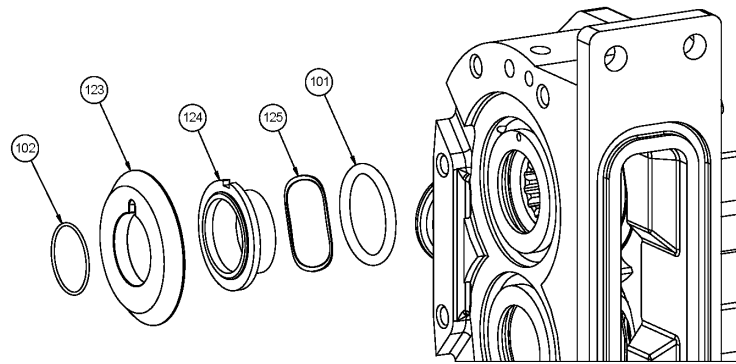
Ref #	Component Item No.	Description	Qty Per
39	P1BDY224001000	BODY - ZP1 224	1
	<i>P1BDY224001F00</i>	<i>BODY - ZP1 224 - FLUSHED</i>	1
40	P1GX223126000	SEAL STOP PIN - ZP1 60/64/130/134/220/224	2
41	N70376	O-RING, RECTANGULAR FLANGE (BUNA) - ZP1 224	1
	<i>E70376</i>	<i>O-RING, RECTANGULAR FLANGE (EPDM) - ZP1 224</i>	1
	<i>V70376</i>	<i>O-RING, RECTANGULAR FLANGE (VITON) - ZP1 224</i>	1
42	P1GX124584	DOWEL PIN - ZP1 & ZP2 45/60/64/130/134	1
43	P1GX124586	DOWEL PIN - ZP1 & ZP2 45/60/64/130/134	1
44	P1GX30-499	CAPSCRW,SH,3/8-16X4-1/2,18-8SS SCKT HD	2
45	P1RTB220010000	ROTOR TWIN BLADE - ALLOY 88 - ZP1 220/224	2
	<i>P1RTB22001000H</i>	<i>ROTOR TWIN BLADE - ALLOY 88 - ZP1 220/224 - HOT CLEARANCE</i>	2
	<i>P1RTB2200100HC</i>	<i>ROTOR TWIN BLADE - ALLOY 88 - ZP1 220/224 - HOT CHOCOLATE</i>	2
	<i>P1RTB220010200</i>	<i>ROTOR TWIN BLADE - 316L - ZP1 220/224</i>	2
	<i>P1RSW220010010</i>	<i>ROTOR SINGLE WING - ALLOY 88 - ZP1 220/224 - STRAIGHT</i>	1
	<i>P1RSW220010090</i>	<i>ROTOR SINGLE WING - ALLOY 88 - ZP1 220/224 - 90°</i>	1
46	P1SXGD0052001	ROTOR JAM NUT - ZP1 220/224	4
47	P1GXGD0117000	O-RING, COVER (BUNA) - ZP1 220/224	1
	<i>P1GXGD0117SC0</i>	<i>O-RING, COVER (SILICONE) - ZP1 220/224</i>	1
	<i>P1GXGD0117V00</i>	<i>O-RING, COVER (VITON) - ZP1 220/224</i>	1
	<i>P1GXGD0117002</i>	<i>O-RING, COVER (EPDM) - ZP1 220/224</i>	1
48	P1CVRGD0002S00	COVER - ZP1 220/224	1
	<i>P1CVRGD0002J10</i>	<i>COVER, JACKETED - ZP1 220/224</i>	1
49	P1GX105853	WING NUT - ZP1 & ZP2 180/220/224	8
	<i>P1SX108372</i>	<i>COVER HEX NUT - ZP1 & ZP2 180/220/224</i>	8
62	P1SX230SPLATE	BEARING RETAINER SPLASH PLATE - ZP1 & ZP2 180/220/224	2
900	P1GXAD0096001	PICK,COMBO,O-RING ZP1 ZP2	1
901	P1GX000140003	OIL,460FG,MAGNAPLT,1GAL ZP	1



Exploded View

Optional Items Shown in ITALICS

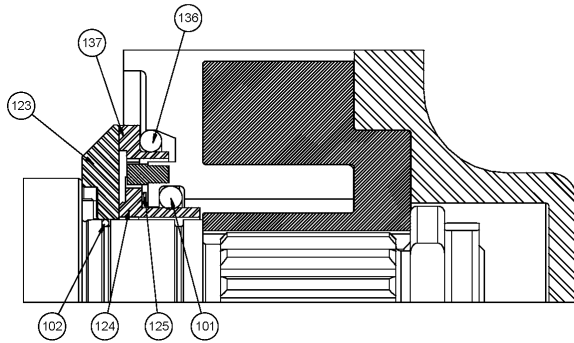
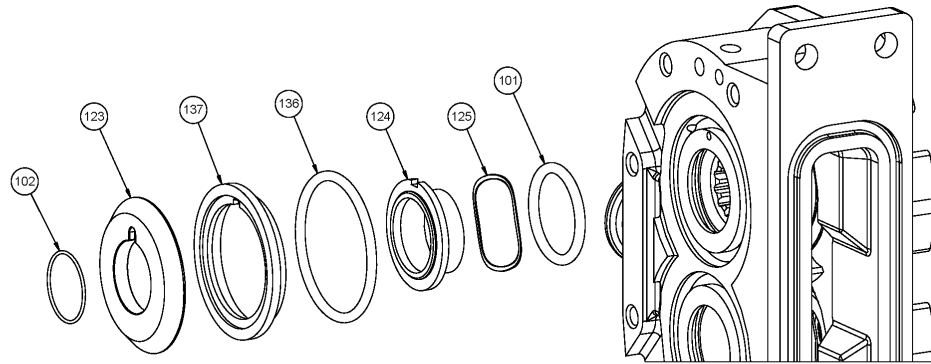
Ref #	Component Item No.	Description	Qty Per
902	P1GX000140002	GREASE,HALO GUARD,14OZ TUBE ZP	1
903	P1GXRTVSEAL	SILICONE,DOW,732,30Z ZP1 ZP2	1
904	P1GX109898	WRENCH,220/224,RTR NUT ZP1	1



Single Mechanical Seal

Optional Items Shown in ITALICS

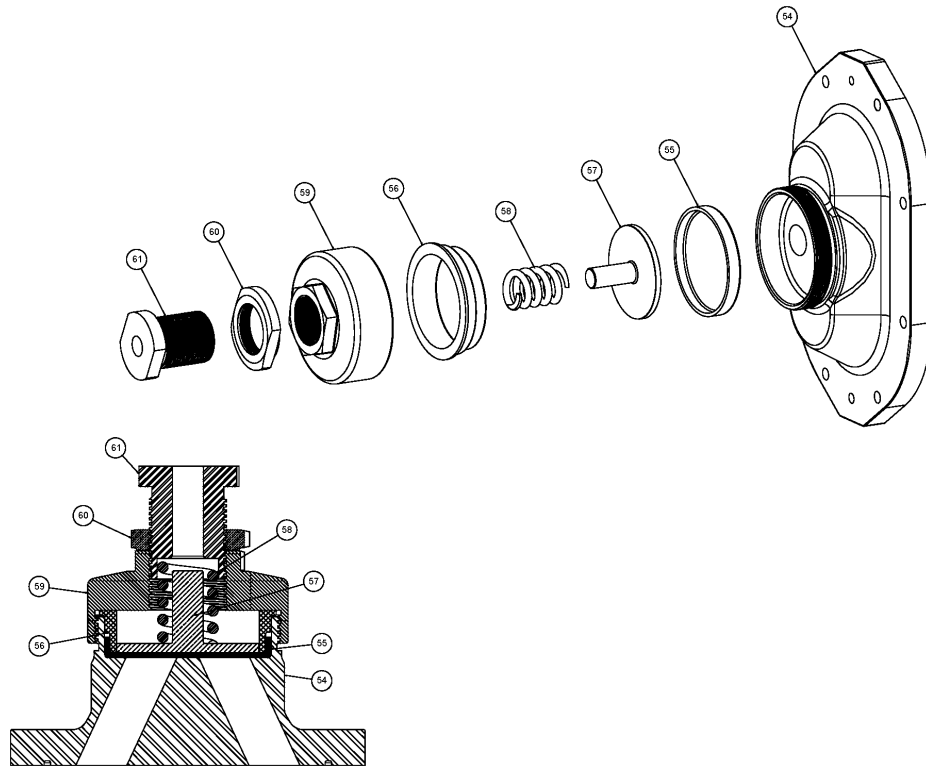
Ref #	Component Item No.	Description	Qty Per
101	N70338	O-RING, BODY (BUNA) - ZP1 220/224	2
	<i>E70338</i>	<i>O-RING, BODY (EPDM) - ZP1 220/224</i>	2
	<i>V70338</i>	<i>O-RING, BODY (VITON) - ZP1 220/224</i>	2
	<i>S75338</i>	<i>O-RING, BODY (SILICONE) - ZP1 220/224</i>	2
102	N70144	O-RING, SHAFT (BUNA) - ZP1 220/224	2
	<i>E70144</i>	<i>O-RING, SHAFT (EPDM) - ZP1 220/224</i>	2
	<i>V70144</i>	<i>O-RING, SHAFT (VITON) - ZP1 220/224</i>	2
	<i>S75144</i>	<i>O-RING, SHAFT (SILICONE) - ZP1 220/224</i>	2
123	P1GS220014009	SEAL SEAT (C) ZP1 220/224	2
	<i>P1GS220014002</i>	<i>SEAL SEAT (K) ZP1 220/224</i>	2
	<i>P1GS220014001</i>	<i>SEAL SEAT (CO) ZP1 220/224</i>	2
124	P1GS220306007	SEAL INNER (N) ZP1 220/224	2
	<i>P1GS40830</i>	<i>SEAL INNER (K) ZP1 220/224</i>	2
	<i>P1GS220306009</i>	<i>SEAL INNER (C) ZP1 220/224</i>	2
	<i>P1GS220306002</i>	<i>INNER SEAL (CO) ZP1 220/224</i>	2
125	P1GS220304000	INNER SEAL WAVE SPRING - ZP1 220/224	2



Double Mechanical Seal

Optional Items Shown in ITALICS

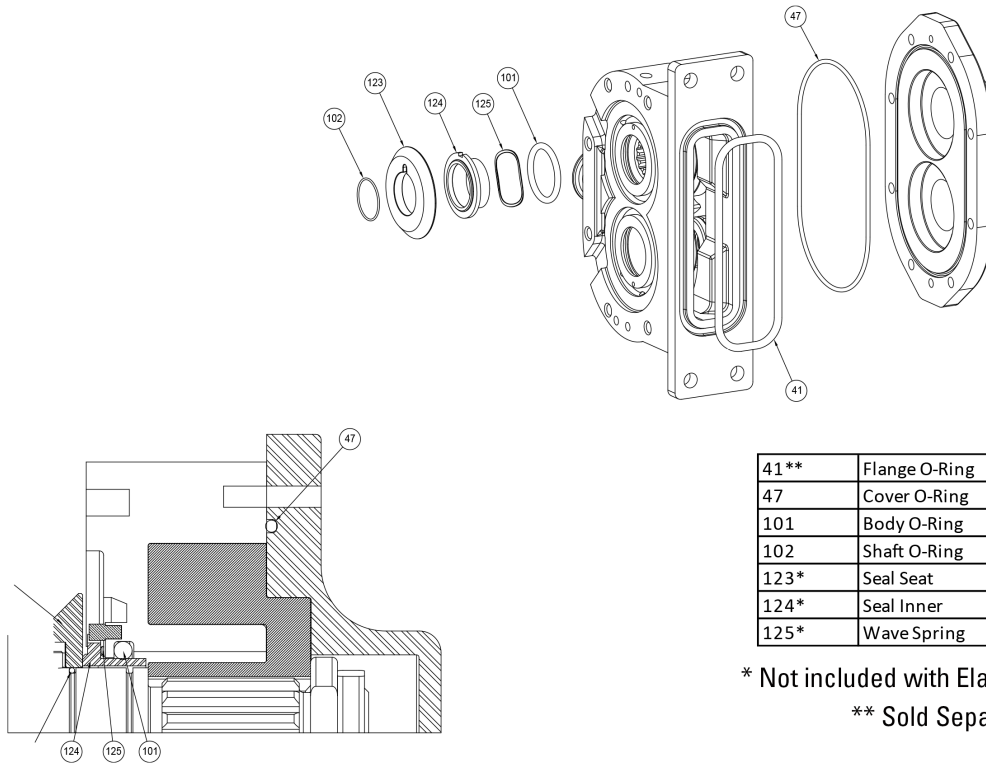
Ref #	Component Item No.	Description	Qty Per
101	N70338	O-RING, BODY (BUNA) - ZP1 220/224	2
	<i>E70338</i>	<i>O-RING, BODY (EPDM) - ZP1 220/224</i>	2
	<i>V70338</i>	<i>O-RING, BODY (VITON) - ZP1 220/224</i>	2
	<i>S75338</i>	<i>O-RING, BODY (SILICONE) - ZP1 220/224</i>	2
102	N70144	O-RING, SHAFT (BUNA) - ZP1 220/224	2
	<i>E70144</i>	<i>O-RING, SHAFT (EPDM) - ZP1 220/224</i>	2
	<i>V70144</i>	<i>O-RING, SHAFT (VITON) - ZP1 220/224</i>	2
	<i>S75144</i>	<i>O-RING, SHAFT (SILICONE) - ZP1 220/224</i>	2
123	P1GS220014009	SEAL SEAT (C) ZP1 220/224	2
	<i>P1GS220014002</i>	<i>SEAL SEAT (K) ZP1 220/224</i>	2
	<i>P1GS220014001</i>	<i>SEAL SEAT (CO) ZP1 220/224</i>	2
124	P1GS220306007	SEAL INNER (N) ZP1 220/224	2
	<i>P1GS40830</i>	<i>SEAL INNER (K) ZP1 220/224</i>	2
	<i>P1GS220306009</i>	<i>SEAL INNER (C) ZP1 220/224</i>	2
	<i>P1GS220306002</i>	<i>SEAL INNER (CO) ZP1 220/224</i>	2
125	P1GS220304000	INNER SEAL WAVE SPRING - ZP1 220/224	2
136	N50344	O-RING, OUTER SEAL (BUNA) - ZP1 220/224	2
	<i>E50344</i>	<i>O-RING, OUTER SEAL (EPDM) - ZP1 220/224</i>	2
	<i>V50344</i>	<i>O-RING, OUTER SEAL (VITON) - ZP1 220/224</i>	2
137	P1GS220206007	OUTER SEAL (N) ZP1 220/224	2
	<i>P1GS220206002</i>	<i>OUTER SEAL (CO) ZP1 220/224</i>	2



Pressure Relief Cover

Optional Items Shown in ITALICS

Ref #	Component Item No.	Description	Qty Per
54	P1CVRGD0002VS0	VENTED FRONT COVER, ZP1 - 220/224	1
55	P1GXGD0078000	RUBBER DIAPHRAGM, BUNA, ZP1 & ZP2 & ZP3 - 180/184/220/224	1
	<i>P1GXGD0078V00</i>	<i>RUBBER DIAPHRAGM, VITON, ZP1 & ZP2 & ZP3 - 180/184/220/224</i>	1
56	P1SXGD0077000	DIAPHRAGM BUSHING, ZP1 & ZP2 & ZP3 - 180/184/220/224	1
57	P1SXGD0073000	SPRING PLUNGER, ZP1 & ZP2 & ZP3 - 180/184/220/224	1
58	P1SX113400	SPRING, MEDIUM, (LESS THAN 150 PSI), ZP1 & ZP2 & ZP3 - 180/184/220/224	1
	<i>P1SX113524</i>	<i>SPRING, HIGH, (MORE THAN 150 PSI), ZP1 & ZP2 & ZP3 - 180/184/220/224</i>	1
59	P1SXGD0075000	COVER NUT, ZP1 & ZP2 & ZP3 - 180/184/220/224	1
60	P1SXGD0074000	LOCKNUT, ZP1 & ZP2 & ZP3 - 60/64/130/134/180/184/220/224	1
61	P1SX113657	ADJUSTING SCREW, ZP1 & ZP2 & ZP3 - 60/64/130/134/180/184/220/224	1



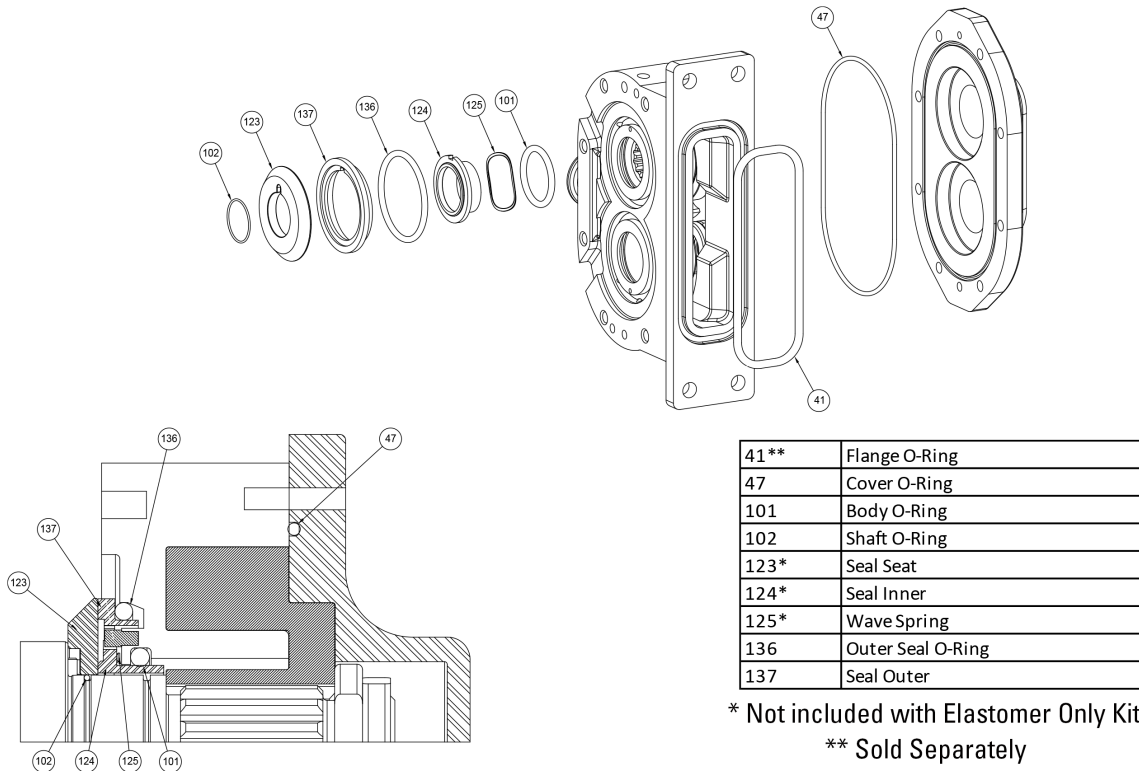
41**	Flange O-Ring
47	Cover O-Ring
101	Body O-Ring
102	Shaft O-Ring
123*	Seal Seat
124*	Seal Inner
125*	Wave Spring

* Not included with Elastomer Only Kits
** Sold Separately

Single Mechanical Seal Kit

Optional Items Shown in ITALICS

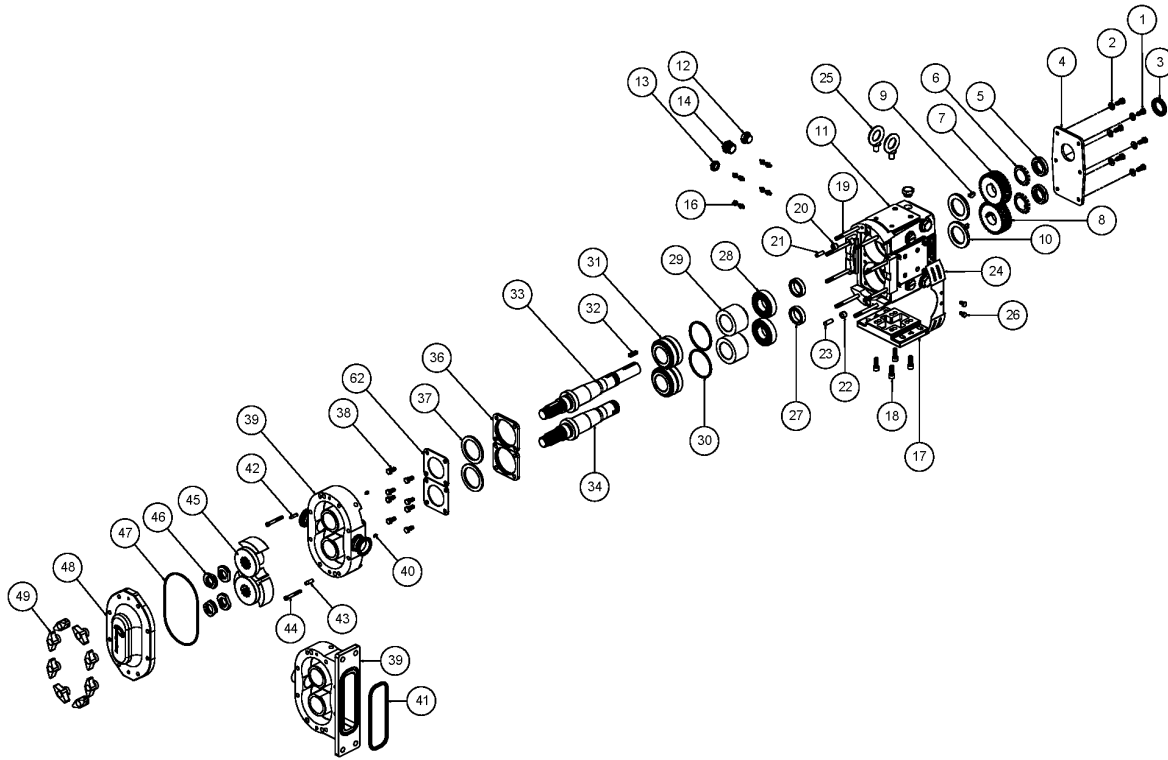
Ref #	Component Item No.	Description	Qty Per
1	P1GX220000-N	SEAL KIT, SGL MECH, ELASTOMERS ONLY, BUNA - ZP1 220/224	1
	<i>P1GX220000-E</i>	<i>SEAL KIT, SGL MECH, ELASTOMERS ONLY, EPDM - ZP1 220/224</i>	<i>1</i>
	<i>P1GX220000-V</i>	<i>SEAL KIT, SGL MECH, ELASTOMERS ONLY, VITON - ZP1 220/224</i>	<i>1</i>
2	P1GS220000-N	SEAL KIT, SGL MECH, SC/CA, BUNA - ZP1 220/224	1
	<i>P1GS220000-E</i>	<i>SEAL KIT, SGL MECH, SC/CA, EPDM - ZP1 220/224</i>	<i>1</i>
	<i>P1GS220000-V</i>	<i>SEAL KIT, SGL MECH, SC/CA, VITON - ZP1 220/224</i>	<i>1</i>
3	P1GS220020-N	SEAL KIT, SGL MECH, CE/CA, BUNA - ZP1 220/224	1
	<i>P1GS220020-E</i>	<i>SEAL KIT, SGL MECH, CE/CA, EPDM - ZP1 220/224</i>	<i>1</i>
	<i>P1GS220020-V</i>	<i>SEAL KIT, SGL MECH, CE/CA, VITON - ZP1 220/224</i>	<i>1</i>
5	P1GS220010-N	SEAL KIT, SGL MECH, SC/SC, BUNA - ZP1 220/224	1
	<i>P1GS220010-E</i>	<i>SEAL KIT, SGL MECH, SC/SC, EPDM - ZP1 220/224</i>	<i>1</i>
	<i>P1GS220010-V</i>	<i>SEAL KIT, SGL MECH, SC/SC, VITON - ZP1 220/224</i>	<i>1</i>



Double Mechanical Seal Kit

Optional Items Shown in ITALICS

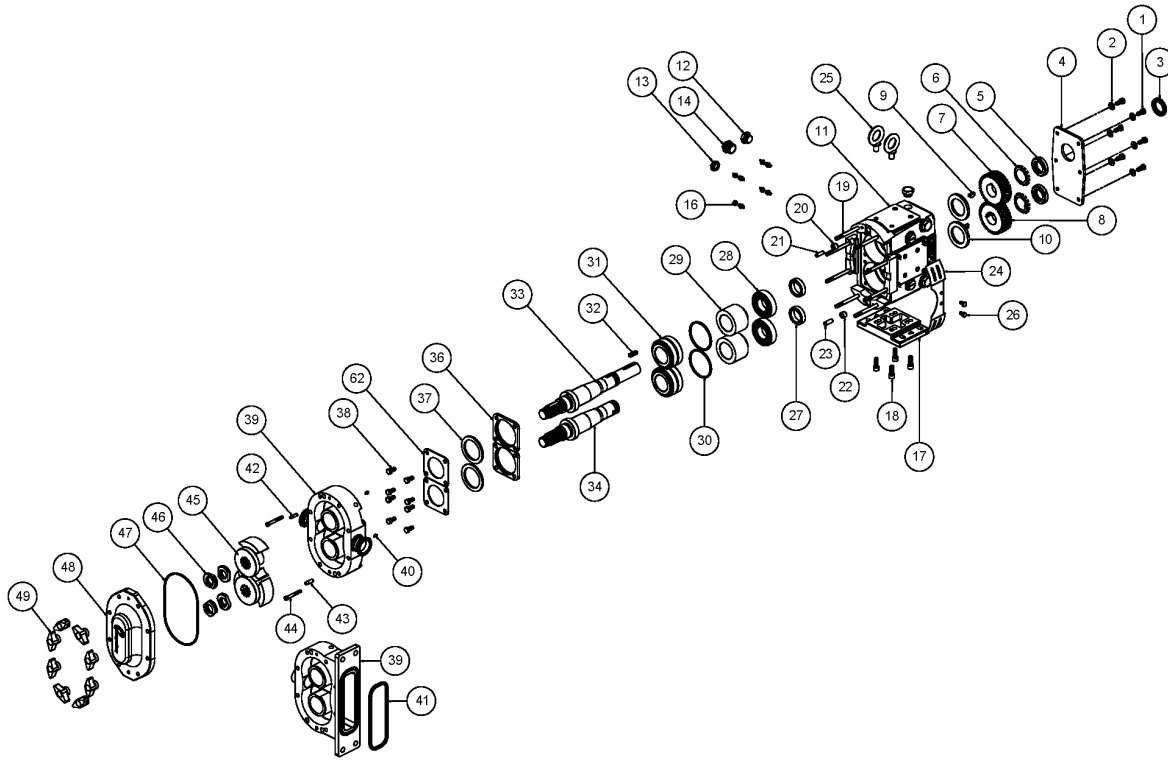
Ref #	Component Item No.	Description	Qty Per
1	P1GX224200-N	SEAL KIT, DBL MECH, ELASTOMERS ONLY, BUNA - ZP1 224/224	1
	<i>P1GX224200-E</i>	<i>SEAL KIT, DBL MECH, ELASTOMERS ONLY, EPDM - ZP1 224/224</i>	<i>1</i>
	<i>P1GX224200-V</i>	<i>SEAL KIT, DBL MECH, ELASTOMERS ONLY, VITON - ZP1 224/224</i>	<i>1</i>
2	P1GS224200-N	SEAL KIT, DBL MECH, SC/CA/CA, BUNA - ZP1 224/224	1
	<i>P1GS224200-E</i>	<i>SEAL KIT, DBL MECH, SC/CA/CA, EPDM - ZP1 224/224</i>	<i>1</i>
	<i>P1GS224200-V</i>	<i>SEAL KIT, DBL MECH, SC/CA/CA, VITON - ZP1 224/224</i>	<i>1</i>
3	P1GS224224-N	SEAL KIT, DBL MECH, CE/CA/CA, BUNA - ZP1 224/224	1
	<i>P1GS224224-E</i>	<i>SEAL KIT, DBL MECH, CE/CA/CA, EPDM - ZP1 224/224</i>	<i>1</i>
	<i>P1GS224224-V</i>	<i>SEAL KIT, DBL MECH, CE/CA/CA, VITON - ZP1 224/224</i>	<i>1</i>
5	P1GS224210-N	SEAL KIT, DBL MECH, SC/SC/CA, BUNA - ZP1 224/224	1
	<i>P1GS224210-E</i>	<i>SEAL KIT, DBL MECH, SC/SC/CA, EPDM - ZP1 224/224</i>	<i>1</i>
	<i>P1GS224210-V</i>	<i>SEAL KIT, DBL MECH, SC/SC/CA, VITON - ZP1 224/224</i>	<i>1</i>



Exploded View

Optional Items Shown in ITALICS

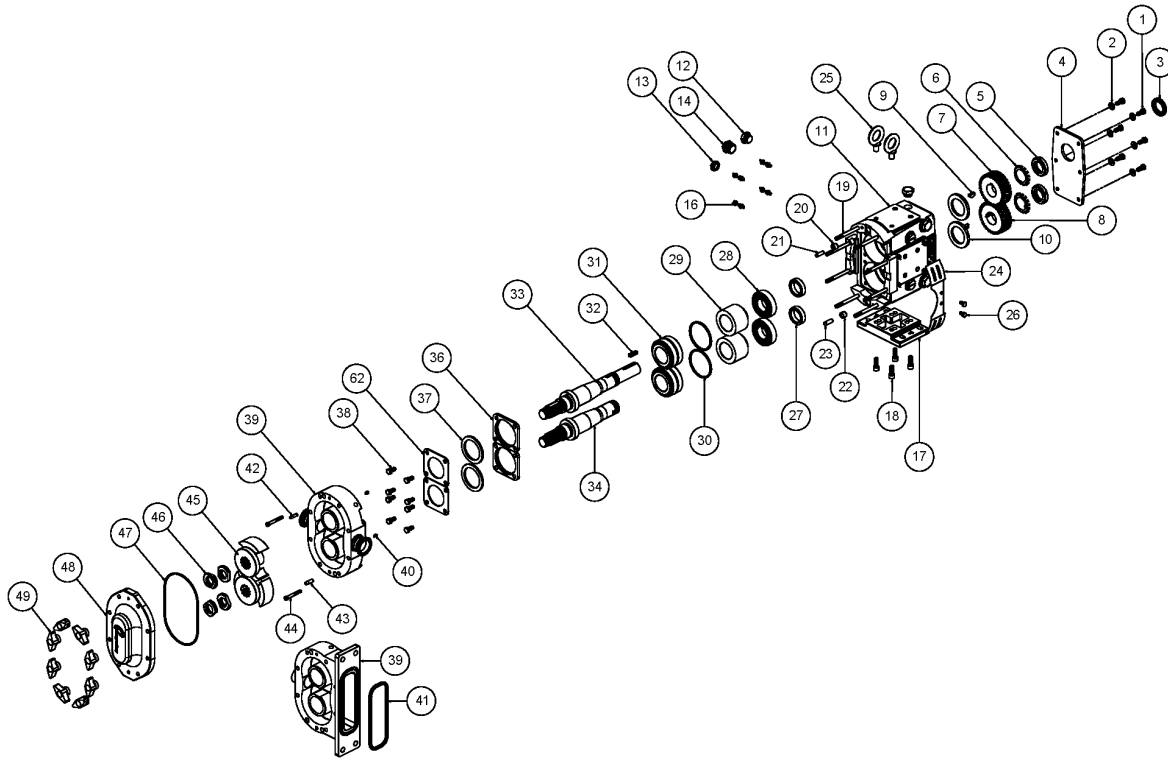
Ref #	Component Item No.	Description	Qty Per
1	P1GX30-50	GEAR CASE COVER BOLT - 3/8-16 X 3/4 HHCS (18-8 SS)	6
2	P1GX43-189	GEAR CASE COVER WASHER - 3/8 FLAT WASHER (18-8 SS)	6
3	P1GXSTD030006-ND	OIL SEAL, PTFE, GEAR CASE COVER - ZP1 & ZP2 220/223/224	1
	<i>P1GXSTD030006</i>	<i>OIL SEAL, GEAR CASE COVER - ZP1 & ZP2 220/223/224</i>	<i>1</i>
4	P1SX230106000	GEAR CASE COVER, SS - ZP1 & ZP2 180/220/224	1
5	P1GXSTD236011	GEAR LOCKNUT ZP1 & ZP2 220/223/224	2
6	P1GXSTD136011	GEAR LOCKWASHER ZP1 & ZP2 220/223/224	2
7	P1GX220007001	GEAR DRIVE SHAFT ZP1 & ZP2 180/220/224	1
8	P1GX220007002	GEAR SHORT SHAFT ZP1 & ZP2 180/220/224	1
9	P1GX200037000	GEAR KEY - ZP1 & ZP2 180/220/224	2
10	P1GXSTD119002	OIL SEAL REAR - ZP1 & ZP2 220/223/224	2
11	P1SX230005000	GEAR CASE, SS - ZP1 & ZP2 180/220/224	1
12	P1GX115798	PLUG,HEX,20M X1.5,W/NBR SEAL	5
13	P1GX115799	GAUGE,OIL,LVL,INDIC,M-20X1.5	1
14	P1GX70PLUG-SS	CLEAN OUT PLUG, SS - ZP1 & ZP2 45/60/64/130/134	4
	<i>P1GX70PLUG</i>	<i>CLEAN OUT PLUG, YELLOW - ZP1 & ZP2 45/60/64/130/134</i>	<i>4</i>
16	P1GXBD0092001	GREASE FITTING, THREADED 1/4"-28 TAPER, SS	8
17	P1SX230110000	GEAR CASE BASE, SS - ZP1 & ZP2 180/220/224	1
18	P1GX30-44	SHCS, G. CASE BASE, (18-8 SS) 1/2-13 X 2" ZP1 & ZP2 220/223	4
19	P1GX108844	STUD, ZP1 224	6
	P1GX35550	STUD, SHORT, ZP1 224	2
20	P1GXCD0116000	UPPER DOWEL BUSHING - ZP1 & ZP2 45/60/64/130/134/180/220/224	1
21	P1GX124584	DOWEL PIN - ZP1 & ZP2 45/60/64/130/134	1
22	P1GXCD0116100	LOWER DOWEL BUSHING - ZP1 & ZP2 45/60/64/130/134/180/220/224	1
23	P1GX124586	DOWEL PIN - ZP1 & ZP2 45/60/64/130/134	1
24	P1SX230CEGUARD	GUARD,220/224,(CE),GC,SS	2



Exploded View

Optional Items Shown in ITALICS

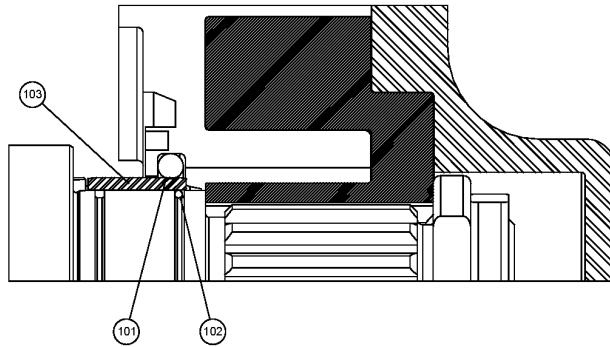
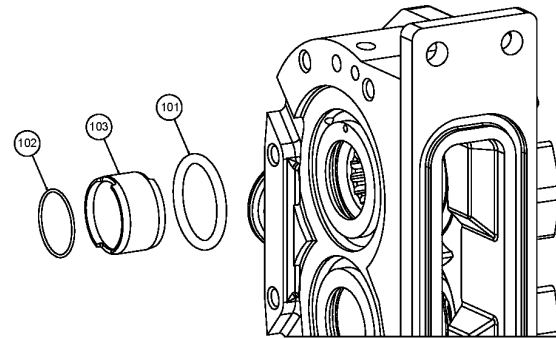
Ref #	Component Item No.	Description	Qty Per
25	P1GXEYEBOLT-SS	EYE BOLT,60-224,SS	2
26	P1GX000CENAIL	DRIVENAIL,ZP,GEAR CASE GUARDS	4
27	P1GX40878	GEAR TO REAR BEARING SPACER - ZP1 & ZP2 180/184/220/223/224	2
28	P1GX200035000	REAR BEARING - ZP1 & ZP2 220/223/224	2
29	P1GX40752	BEARING SPACER - ZP1 & ZP2 180/184/220/223/224	2
30	P1GX117892	SHIM KIT - ZP1 & ZP2 180/220/224	2
31	P1GX200036000	FRONT BEARING - ZP1 & ZP2 220/223/224	2
32	P1GX000037004	DRIVE KEY, 1/2" SQ. X 1" - ZP1 & ZP2 180/220/224	1
33	P1SX220008001	DRIVE SHAFT (17-4PH) - ZP1 220/224	1
34	P1SX220009001	SHORT SHAFT (17-4PH) - ZP1 220/224	1
36	P1SX121829	BEARING RETAINER, NEW STYLE 3A - ZP1 & ZP2 180/220/224	2
37	P1GXSTD030002-ND	GREASE SEAL, PTFE, FRONT BEARING RET. - ZP1 & ZP2 220/223/224	2
	<i>P1GXSTD030002</i>	<i>GREASE SEAL FRONT BEARING RET. - ZP1 & ZP2 220/223/224</i>	2
38	GX5077200	CAPSCRW,HX,3/8-16X1-1/4,18-8SS HX HD	8
39	P1BDY224001000	BODY - ZP1 224	1
	<i>P1BDY224001F00</i>	<i>BODY - ZP1 224 - FLUSHED</i>	1
40	P1GX223126000	SEAL STOP PIN - ZP1 60/64/130/134/220/224	2
41	N70376	O-RING, RECTANGULAR FLANGE (BUNA) - ZP1 224	1
	<i>E70376</i>	<i>O-RING, RECTANGULAR FLANGE (EPDM) - ZP1 224</i>	1
	<i>V70376</i>	<i>O-RING, RECTANGULAR FLANGE (VITON) - ZP1 224</i>	1
42	P1GX124584	DOWEL PIN - ZP1 & ZP2 45/60/64/130/134	1
43	P1GX124586	DOWEL PIN - ZP1 & ZP2 45/60/64/130/134	1
44	P1GX30-499	CAPSCRW,SH,3/8-16X4-1/2,18-8SS SCKT HD	2
45	P1RTB220010000	ROTOR TWIN BLADE - ALLOY 88 - ZP1 220/224	2
	<i>P1RTB22001000H</i>	<i>ROTOR TWIN BLADE - ALLOY 88 - ZP1 220/224 - HOT CLEARANCE</i>	2
	<i>P1RTB2200100HC</i>	<i>ROTOR TWIN BLADE - ALLOY 88 - ZP1 220/224 - HOT CHOCOLATE</i>	2



Exploded View

Optional Items Shown in ITALICS

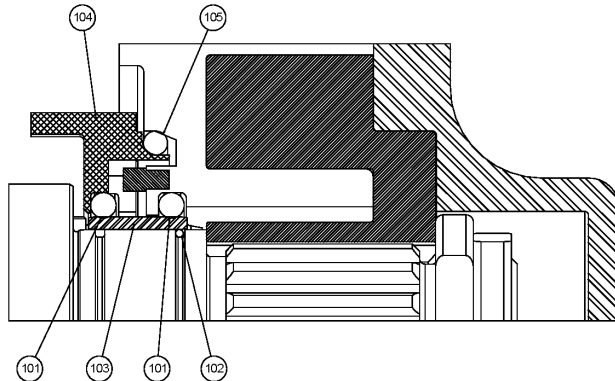
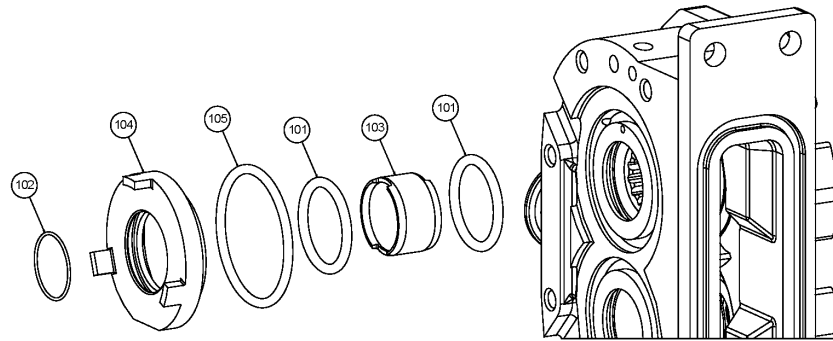
Ref #	Component Item No.	Description	Qty Per
45	<i>P1RTB220010200</i>	<i>ROTOR TWIN BLADE - 316L - ZP1 220/224</i>	2
	<i>P1RSW220010010</i>	<i>ROTOR SINGLE WING - ALLOY 88 - ZP1 220/224 - STRAIGHT</i>	1
	<i>P1RSW220010090</i>	<i>ROTOR SINGLE WING - ALLOY 88 - ZP1 220/224 - 90°</i>	1
46	P1SXGD0052001	ROTOR JAM NUT - ZP1 220/224	4
47	P1GXGD0117000	O-RING, COVER (BUNA) - ZP1 220/224	1
	<i>P1GXGD0117SC0</i>	<i>O-RING, COVER (SILICONE) - ZP1 220/224</i>	1
	<i>P1GXGD0117V00</i>	<i>O-RING, COVER (VITON) - ZP1 220/224</i>	1
	<i>P1GXGD0117002</i>	<i>O-RING, COVER (EPDM) - ZP1 220/224</i>	1
48	P1CVRGD0002S00	COVER - ZP1 220/224	1
	<i>P1CVRGD0002J10</i>	<i>COVER, JACKETED - ZP1 220/224</i>	1
49	P1GX105853	WING NUT - ZP1 & ZP2 180/220/224	8
	<i>P1SX108372</i>	<i>COVER HEX NUT - ZP1 & ZP2 180/220/224</i>	8
62	P1SX230SPATE	BEARING RETAINER SPLASH PLATE - ZP1 & ZP2 180/220/224	2
900	P1GXAD0096001	PICK,COMBO,O-RING ZP1 ZP2	1
901	P1GX000140003	OIL,460FG,MAGNAPLT,1GAL ZP	1
902	P1GX000140002	GREASE,HALO GUARD,14OZ TUBE ZP	1
903	P1GXRTVSEAL	SILICONE,DOW,732,30Z ZP1 ZP2	1
904	P1GX109898	WRENCH,220/224,RTR NUT ZP1	1



Single O-Ring Seal

Optional Items Shown in ITALICS

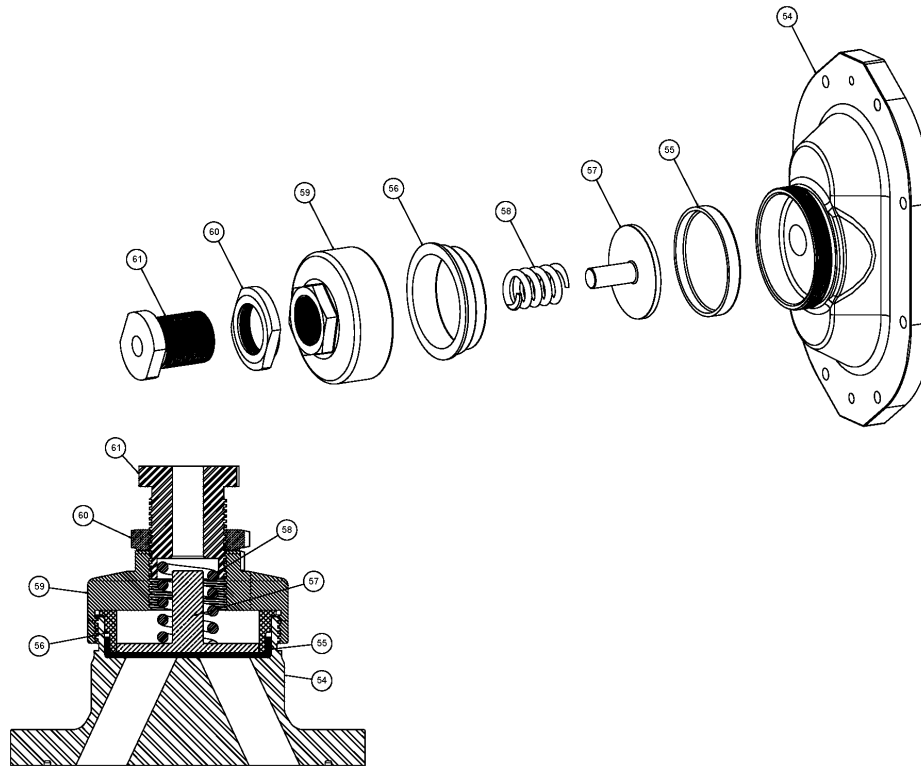
Ref #	Component Item No.	Description	Qty Per
101	N70338	O-RING, BODY (BUNA) - ZP1 220/224	2
	<i>E70338</i>	<i>O-RING, BODY (EPDM) - ZP1 220/224</i>	2
	<i>V70338</i>	<i>O-RING, BODY (VITON) - ZP1 220/224</i>	2
	<i>S75338</i>	<i>O-RING, BODY (SILICONE) - ZP1 220/224</i>	2
102	N70144	O-RING, SHAFT (BUNA) - ZP1 220/224	2
	<i>E70144</i>	<i>O-RING, SHAFT (EPDM) - ZP1 220/224</i>	2
	<i>V70144</i>	<i>O-RING, SHAFT (VITON) - ZP1 220/224</i>	2
	<i>S75144</i>	<i>O-RING, SHAFT (SILICONE) - ZP1 220/224</i>	2
103	P1SX220098001	SLEEVE (17-4PH H900) - ZP1 220/224 - SLOTTED	2
	<i>P1SX220098004</i>	<i>ZIRCONIA SLEEVE - ZP1 220/224</i>	2
	<i>P1SX220098002</i>	<i>CHROME OXIDE SLEEVE (316L) - ZP1 220/224</i>	2



Double O-Ring Seal

Optional Items Shown in ITALICS

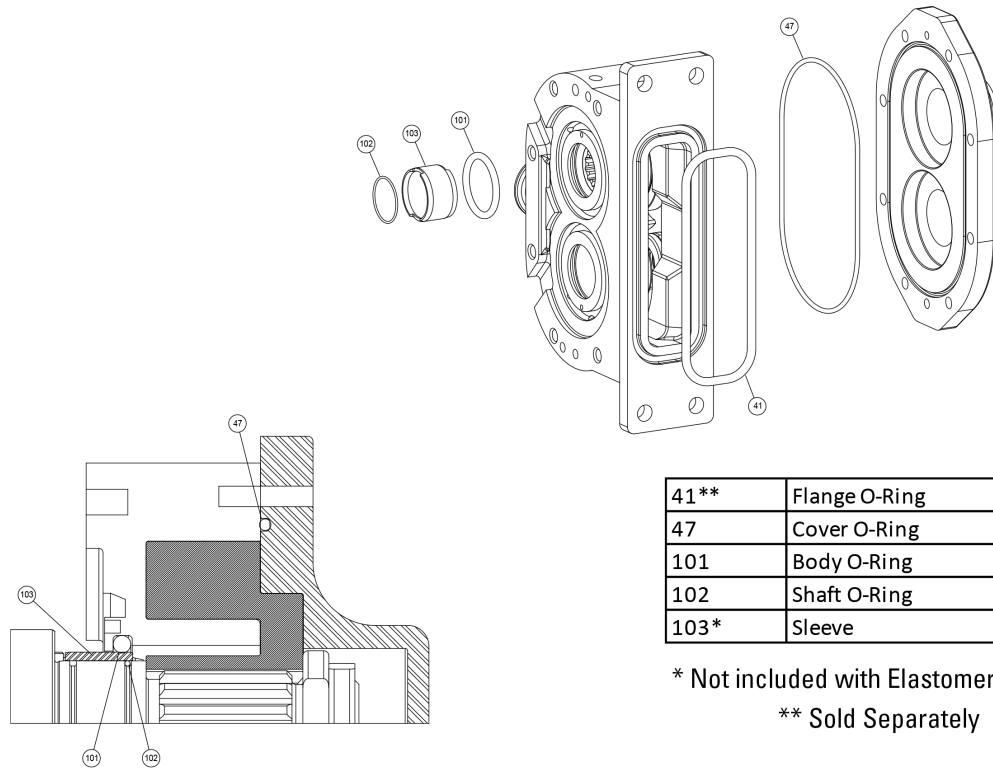
Ref #	Component Item No.	Description	Qty Per
101	N70338	O-RING, BODY (BUNA) - ZP1 220/224	4
	<i>E70338</i>	<i>O-RING, BODY (EPDM) - ZP1 220/224</i>	4
	<i>V70338</i>	<i>O-RING, BODY (VITON) - ZP1 220/224</i>	4
	<i>S75338</i>	<i>O-RING, BODY (SILICONE) - ZP1 220/224</i>	4
102	N70144	O-RING, SHAFT (BUNA) - ZP1 220/224	2
	<i>E70144</i>	<i>O-RING, SHAFT (EPDM) - ZP1 220/224</i>	2
	<i>V70144</i>	<i>O-RING, SHAFT (VITON) - ZP1 220/224</i>	2
	<i>S75144</i>	<i>O-RING, SHAFT (SILICONE) - ZP1 220/224</i>	2
103	P1SX220098001	SLEEVE (17-4PH H900) - ZP1 220/224 - SLOTTED	2
	<i>P1SX220098004</i>	<i>ZIRCONIA SLEEVE - ZP1 220/224</i>	2
	<i>P1SX220098002</i>	<i>CHROME OXIDE SLEEVE (316L) - ZP1 220/224</i>	2
104	P1SX220034002	O-RING SEAL CARRIER, 3A NEW STYLE - ZP1 220/224	2
105	N50344	O-RING, OUTER SEAL (BUNA) - ZP1 220/224	2
	<i>E50344</i>	<i>O-RING, OUTER SEAL (EPDM) - ZP1 220/224</i>	2
	<i>V50344</i>	<i>O-RING, OUTER SEAL (VITON) - ZP1 220/224</i>	2



Pressure Relief Cover

Optional Items Shown in ITALICS

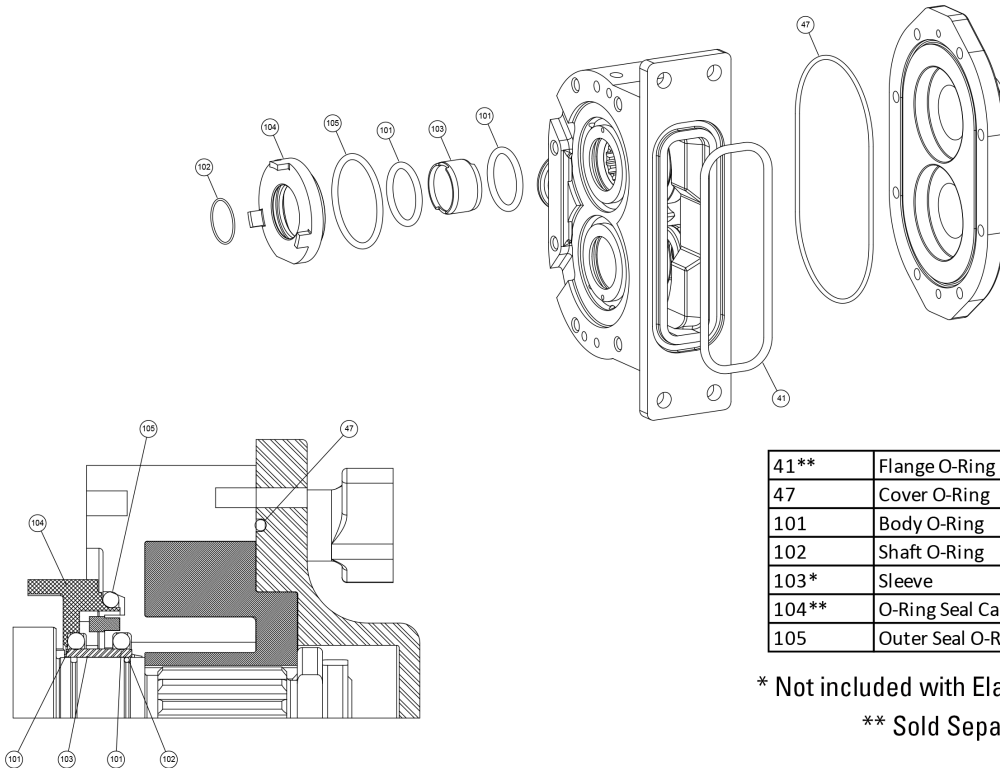
Ref #	Component Item No.	Description	Qty Per
54	P1CVRGD0002VS0	VENTED FRONT COVER, ZP1 - 220/224	1
55	P1GXGD0078000	RUBBER DIAPHRAGM, BUNA, ZP1 & ZP2 & ZP3 - 180/184/220/224	1
	<i>P1GXGD0078V00</i>	<i>RUBBER DIAPHRAGM, VITON, ZP1 & ZP2 & ZP3 - 180/184/220/224</i>	1
56	P1SXGD0077000	DIAPHRAGM BUSHING, ZP1 & ZP2 & ZP3 - 180/184/220/224	1
57	P1SXGD0073000	SPRING PLUNGER, ZP1 & ZP2 & ZP3 - 180/184/220/224	1
58	P1SX113400	SPRING, MEDIUM, (LESS THAN 150 PSI), ZP1 & ZP2 & ZP3 - 180/184/220/224	1
	<i>P1SX113524</i>	<i>SPRING, HIGH, (MORE THAN 150 PSI), ZP1 & ZP2 & ZP3 - 180/184/220/224</i>	1
59	P1SXGD0075000	COVER NUT, ZP1 & ZP2 & ZP3 - 180/184/220/224	1
60	P1SXGD0074000	LOCKNUT, ZP1 & ZP2 & ZP3 - 60/64/130/134/180/184/220/224	1
61	P1SX113657	ADJUSTING SCREW, ZP1 & ZP2 & ZP3 - 60/64/130/134/180/184/220/224	1



Single O-Ring Seal Kit

Optional Items Shown in ITALICS

Ref #	Component Item No.	Description	Qty Per
1	P1GX220000-N	SEAL KIT, SGL O-RING, ELASTOMERS ONLY, BUNA - ZP1 220/224	1
	<i>P1GX220000-E</i>	<i>SEAL KIT, SGL O-RING, ELASTOMERS ONLY, EPDM - ZP1 220/224</i>	<i>1</i>
	<i>P1GX220000-V</i>	<i>SEAL KIT, SGL O-RING, ELASTOMERS ONLY, VITON - ZP1 220/224</i>	<i>1</i>
2	P1GS22000S-N	SEAL KIT, SGL O-RING, 17-4 SS SLVS, BUNA - ZP1 220/224	1
	<i>P1GS22000S-E</i>	<i>SEAL KIT, SGL O-RING, 17-4 SS SLVS, EPDM - ZP1 220/224</i>	<i>1</i>
	<i>P1GS22000S-V</i>	<i>SEAL KIT, SGL O-RING, 17-4 SS SLVS, VITON - ZP1 220/224</i>	<i>1</i>
3	P1GS22000Z-N	SEAL KIT, SGL O-RING, ZIRCONIA SLVS, BUNA - ZP1 220/224	1
	<i>P1GS22000Z-E</i>	<i>SEAL KIT, SGL O-RING, ZIRCONIA SLVS, EPDM - ZP1 220/224</i>	<i>1</i>
	<i>P1GS22000Z-V</i>	<i>SEAL KIT, SGL O-RING, ZIRCONIA SLVS, VITON - ZP1 220/224</i>	<i>1</i>



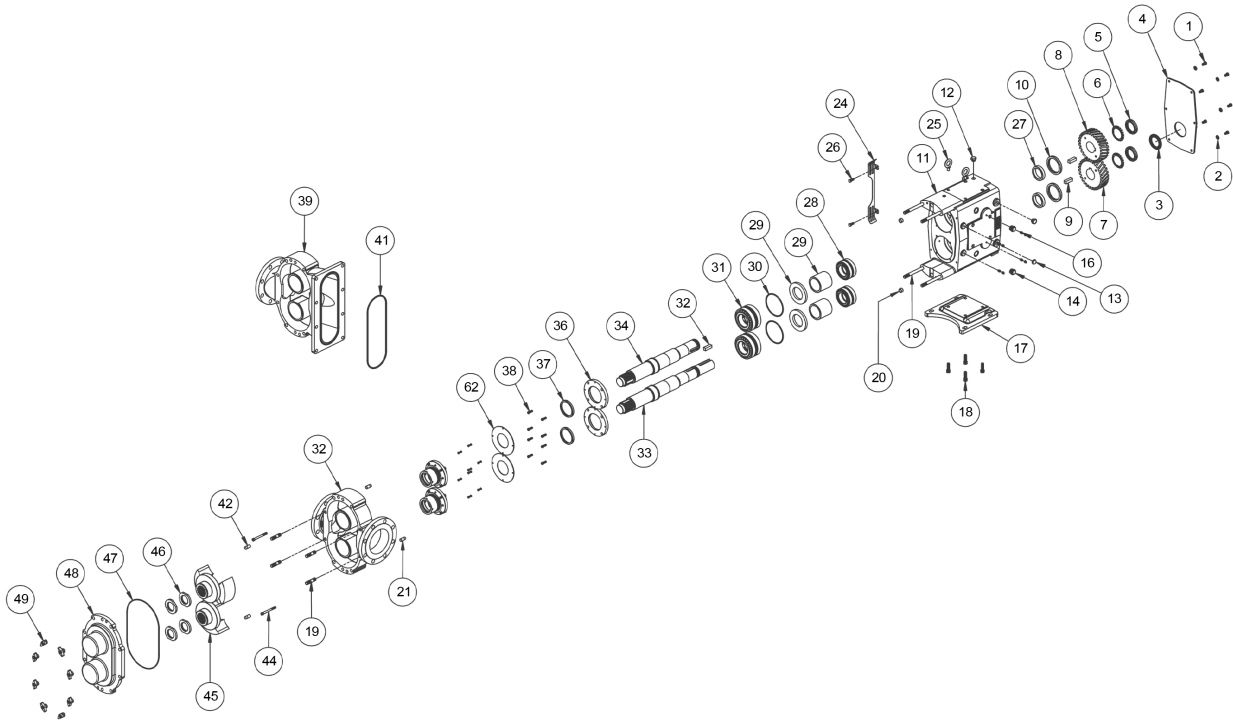
41**	Flange O-Ring
47	Cover O-Ring
101	Body O-Ring
102	Shaft O-Ring
103*	Sleeve
104**	O-Ring Seal Carrier
105	Outer Seal O-Ring

* Not included with Elastomer Only Kits
** Sold Separately

Double O-Ring Seal Kit

Optional Items Shown in ITALICS

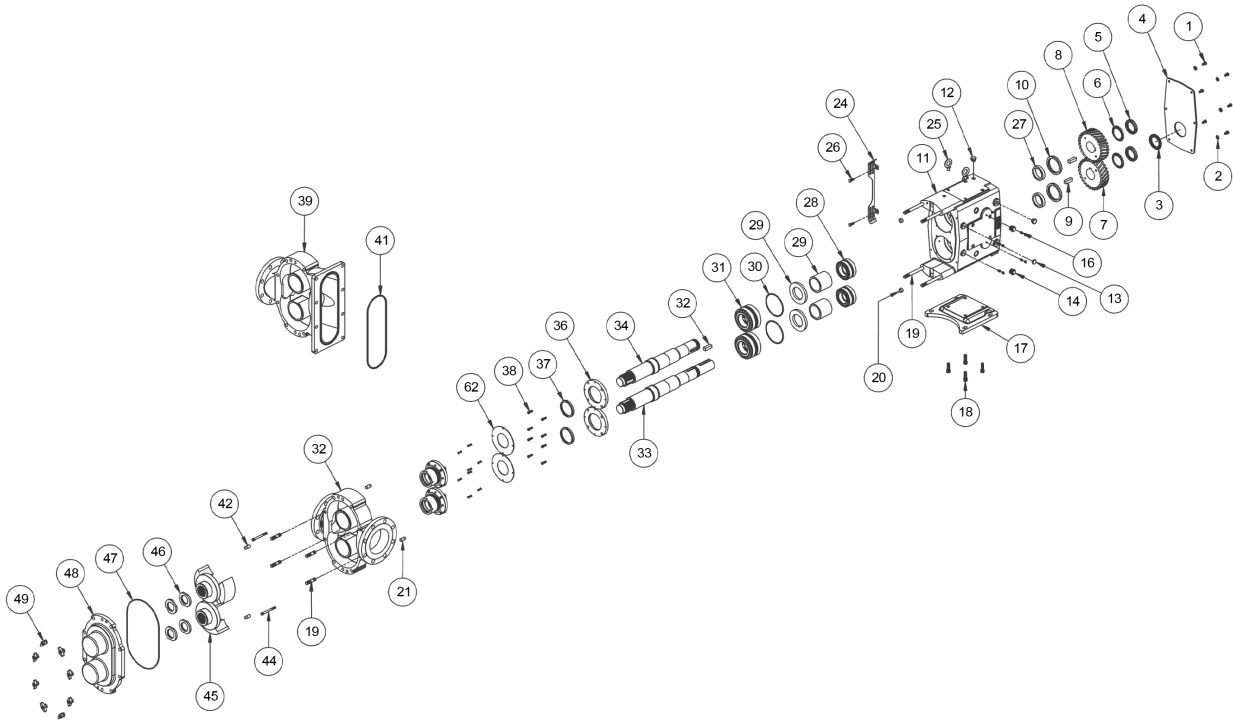
Ref #	Component Item No.	Description	Qty Per
1	P1GX220200-N	SEAL KIT, DBL O-RING, ELASTOMERS ONLY, BUNA - ZP1 220/224	1
	<i>P1GX220200-E</i>	<i>SEAL KIT, DBL O-RING, ELASTOMERS ONLY, EPDM - ZP1 220/224</i>	<i>1</i>
	<i>P1GX220200-V</i>	<i>SEAL KIT, DBL O-RING, ELASTOMERS ONLY, VITON - ZP1 220/224</i>	<i>1</i>
2	P1GS22020S-N	SEAL KIT, DBL O-RING, 17-4 SS SLVS, BUNA - ZP1 220/224	1
	<i>P1GS22020S-E</i>	<i>SEAL KIT, DBL O-RING, 17-4 SS SLVS, EPDM - ZP1 220/224</i>	<i>1</i>
	<i>P1GS22020S-V</i>	<i>SEAL KIT, DBL O-RING, 17-4 SS SLVS, VITON - ZP1 220/224</i>	<i>1</i>
3	P1GS22020Z-N	SEAL KIT, DBL O-RING, ZIRCONIA SLVS, BUNA - ZP1 220/224	1
	<i>P1GS22020Z-E</i>	<i>SEAL KIT, DBL O-RING, ZIRCONIA SLVS, EPDM - ZP1 220/224</i>	<i>1</i>
	<i>P1GS22020Z-V</i>	<i>SEAL KIT, DBL O-RING, ZIRCONIA SLVS, VITON - ZP1 220/224</i>	<i>1</i>



Exploded View

Optional Items Shown in ITALICS

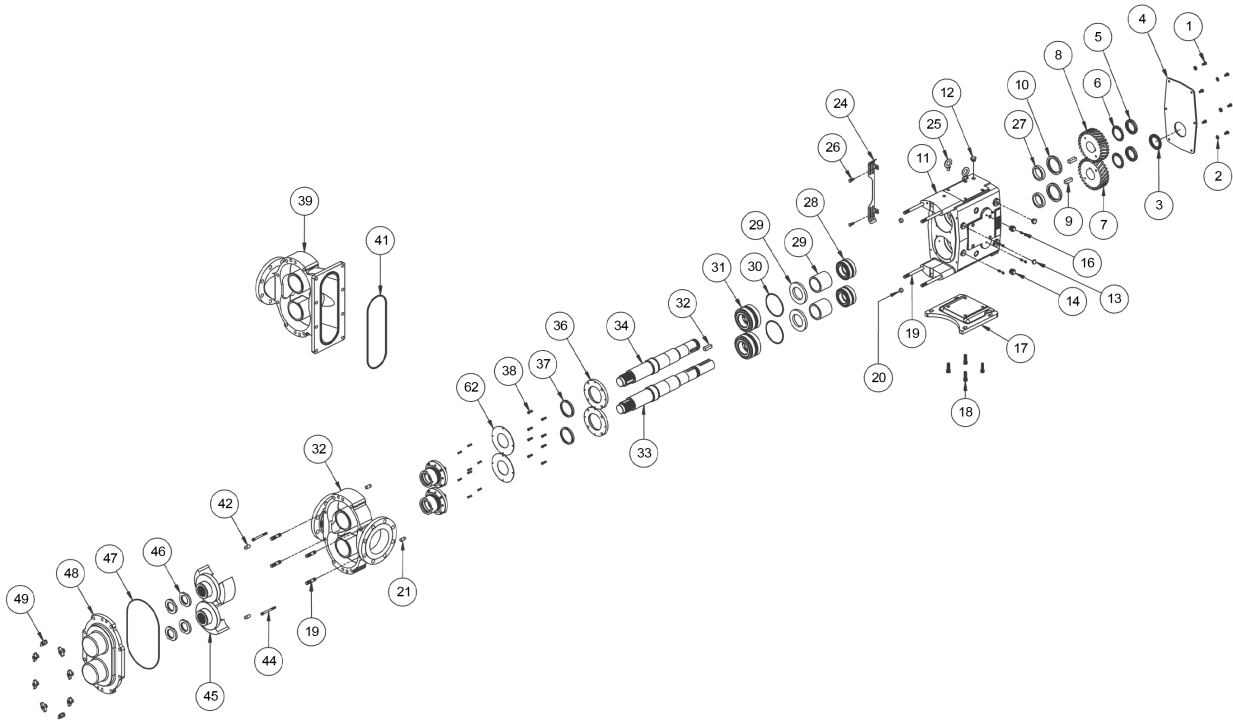
Ref #	Component Item No.	Description	Qty Per
1	P1GX30-50	GEAR CASE COVER BOLT - 3/8-16 X 3/4 HHCS (18-8 SS)	6
2	P1GX43-189	GEAR CASE COVER WASHER - 3/8 FLAT WASHER (18-8 SS)	6
3	P1GXSTD030004-ND	OIL SEAL, PTFE, GEAR CASE COVER - ZP1 & ZP2 320/324	1
	<i>P1GXSTD030004</i>	<i>OIL SEAL, GEAR CASE COVER - ZP1 & ZP2 320/324</i>	<i>1</i>
4	P1SX40669	GEAR CASE COVER, SS - ZP1 & ZP2 320/324	1
5	P1GXOH1236000	GEAR LOCKNUT ZP1 & ZP2 320/324	2
6	P1GXOH1136000	GEAR LOCKWASHER ZP1 & ZP2 320/324	2
7	P1GX320007001	GEAR DRIVE SHAFT ZP1 & ZP2 320/324	1
8	P1GX320007002	GEAR SHORT SHAFT ZP1 & ZP2 320/324	1
9	P1GXOH1037000	GEAR KEY - ZP1 & ZP2 320/324	2
10	P1GX102475	OIL SEAL REAR - ZP1 & ZP2 320/324	2
11	P1SX40616	GEAR CASE, SS - ZP1 & ZP2 320/324	1
12	P1GX115798	PLUG,HEX,20M X1.5,W/NBR SEAL	5
13	P1GX115799	GAUGE,OIL,LVL,INDIC,M-20X1.5	1
14	P1GX70PLUG-SS	CLEAN OUT PLUG, SS - ZP1 & ZP2 45/60/64/130/134	4
	<i>P1GX70PLUG</i>	<i>CLEAN OUT PLUG, YELLOW - ZP1 & ZP2 45/60/64/130/134</i>	<i>4</i>
16	P1GXBD0092001	GREASE FITTING, THREADED 1/4"-28 TAPER, SS	8
17	P1SX40288	GEAR CASE BASE, SS - ZP1 & ZP2 320/324	1
18	P1GX30-250	SHCS, G. CASE BASE, (18-8 SS) 1/2-13 X 1.75" ZP1 & ZP2 320/324	4
19	P1GX111291	STUD, LONG, ZP1 320/324	4
	P1GX111292	STUD, SHORT, ZP1 320/324	4
20	P1GXOH1116000	DOWEL BUSHING - ZP1 & ZP2 320/324	2
21	P1GXOH1040R00	DOWEL PIN, GEAR BOX SIDE - ZP1 320/324	2
24	P1SX320CEGUARD	GUARD,320/324,(CE),GC,SS	2
25	P1GXKEYBOLT-SS	EYE BOLT,60-224,SS	3
26	P1GX000CENAIL	DRIVENAIL,ZP,GEAR CASE GUARDS	4



Exploded View

Optional Items Shown in ITALICS

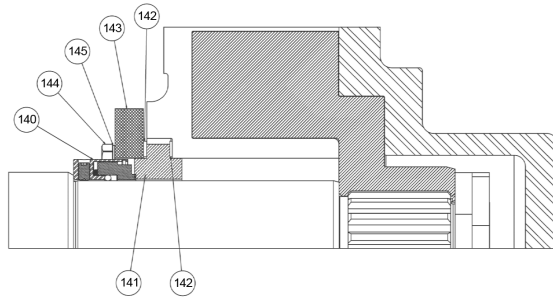
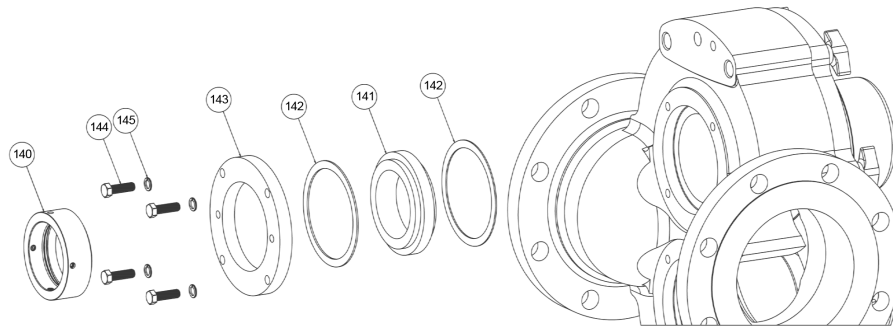
Ref #	Component Item No.	Description	Qty Per
27	P1GX102474	GEAR TO REAR BEARING SPACER - ZP1 & ZP2 320/324	2
28	P1GXOH1036000	REAR BEARING - ZP1 & ZP2 320/324	2
29	P1GX102472	BEARING SPACER, THICK - ZP1 & ZP2 320/324	2
	P1GX102473	BEARING SPACER, THIN - ZP1 & ZP2 320/324	2
30	P1GX117893	SHIM KIT - ZP1 & ZP2 320/324	2
31	P1GXOH1036003	FRONT BEARING - ZP1 & ZP2 320/324	2
32	P1GX000037005	DRIVE KEY, 5/8" SQ. X 2" - ZP1 & ZP2 320/324	1
33	P1SXOH1008002	DRIVE SHAFT (17-4PH) - ZP1 320/324	1
34	P1SXOH1009002	SHORT SHAFT (17-4PH) - ZP1 320/324	1
36	P1SXOH1080000	BEARING RETAINER - ZP1 320/324	2
37	P1GXSTD030002-ND	GREASE SEAL, PTFE, FRONT BEARING RET. - ZP1 & ZP2 320/324	2
	<i>P1GXSTD030002</i>	<i>GREASE SEAL FRONT BEARING RET. - ZP1 & ZP2 320/324</i>	2
38	P1GX30-343	BEARING RETAINER BOLT - 5/16-18 X 1 SHCS (18-8 SS)	8
39	P1BDY320001000	BODY - ZP1 320	1
42	P1GXOH1040000	DOWEL PIN, COVER SIDE - ZP1 & ZP2 320/324	2
44	P1GX130RETSCREW	BODY RETAINING SCREW, 3/8-16 X 4" 18-8SS - ZP3 320/324	2
45	P1RTB320010000	ROTOR TWIN BLADE - ALLOY 88 - ZP1 320/324	2
	<i>P1RTB32001000H</i>	<i>ROTOR TWIN BLADE - ALLOY 88 - ZP1 320/324 - HOT CLEARANCE</i>	2
46	P1SX0H1052003	ROTOR JAM NUT - ZP1 320/324	4
47	N70280	O-RING, COVER (BUNA) - ZP1 320/324	1
	<i>E70280</i>	<i>O-RING, COVER (EPDM) - ZP1 320/324</i>	1
	<i>V70280</i>	<i>O-RING, COVER (VITON) - ZP1 320/324</i>	1
48	P1CVR0H1002000	COVER - ZP1 320/324	1
49	P1GX110858	WING NUT, COVER - ZP1 320/324	8
	<i>P1SX108373</i>	<i>HEX NUT, COVER - ZP1 320/324</i>	8



Exploded View

Optional Items Shown in ITALICS

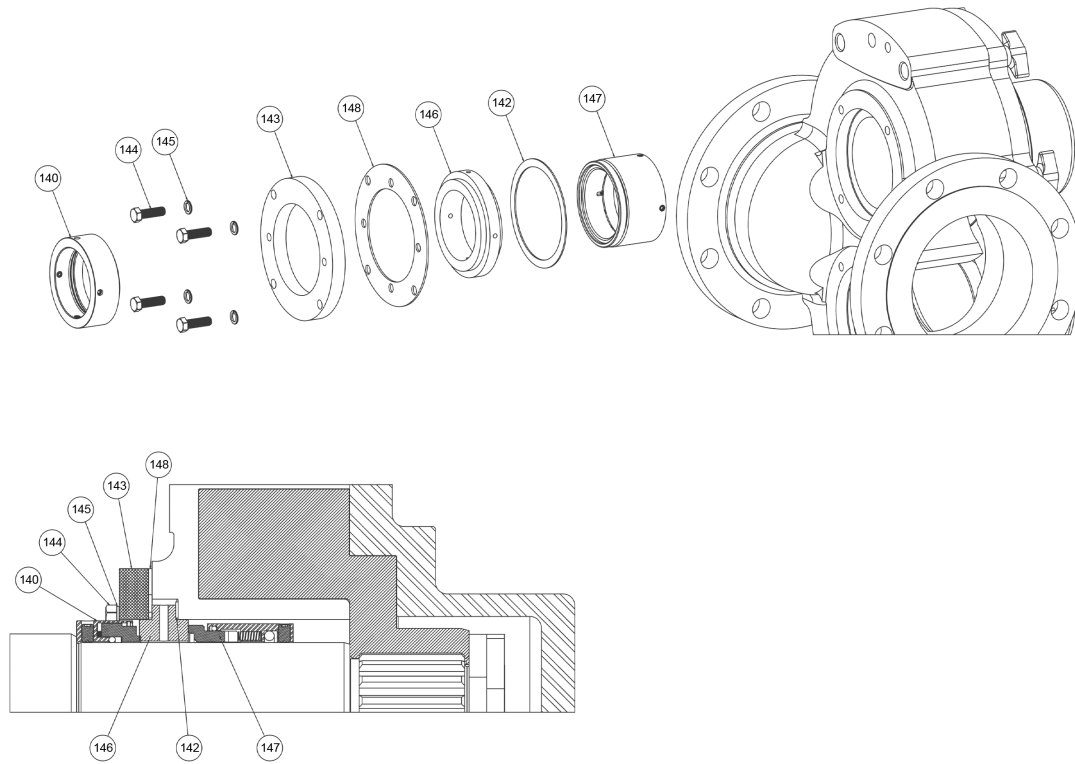
Ref #	Component Item No.	Description	Qty Per
62	P1GX30-212	CAPSCRW,HX,10-32X1/2,18-8SS	8
	P1GX30-213	WASHER,210/320,LOCK,10-32	8
	P1SX320SPLATE	BEARING RETAINER SPLASH PLATE - ZP1 320/324	2
900	P1GXAD0096001	PICK,COMBO,O-RING ZP1 ZP2	1
901	P1GX000140003	OIL,460FG,MAGNAPLT,1GAL ZP	1
902	P1GX000140002	GREASE,HALO GUARD,14OZ TUBE ZP	1
903	P1GXRTVSEAL	SILICONE,DOW,732,30Z ZP1 ZP2	1
904	P1GX109899	WRENCH,320/324,RTR NUT ZP1	1



Single Mechanical Seal

Optional Items Shown in ITALICS

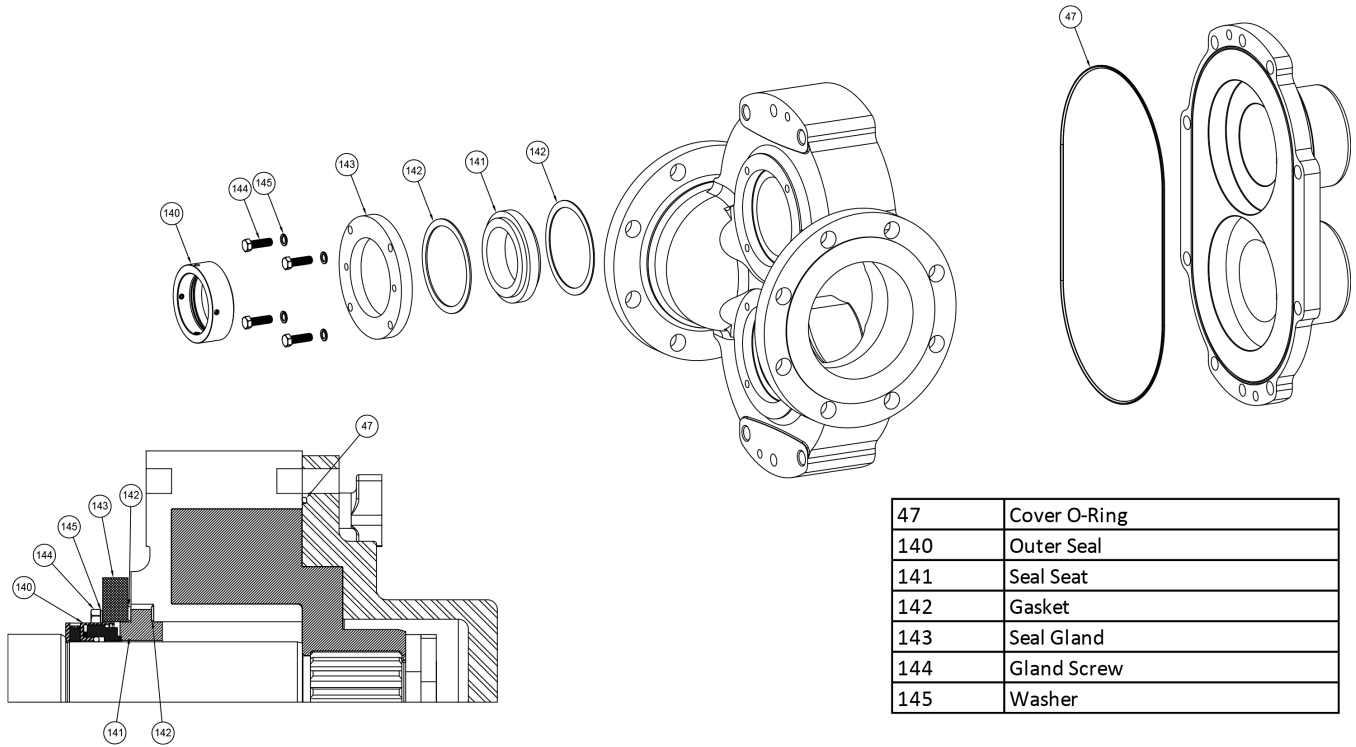
Ref #	Component Item No.	Description	Qty Per
140	P1GS323114003	OUTER SEAL, TYPE 8B2, (N) - ZP1 320/324	2
	<i>P1GS323114001</i>	<i>OUTER SEAL, TYPE 8B2, (C) - ZP1 320/324</i>	<i>2</i>
141	P1GS300014016	SEAL SEAT, NO FLUSH, (C), ZP1 - 320/324	2
142	P1GS300042001	GASKET, "T" SEAT, NO FLUSH, ZP1 - 320/324	4
143	P1GXFLUSHPLUGS	PLUG, SEAL GLAND FLUSH, 304SS	4
	P1SX300034001	SEAL GLAND W/ FLUSH HOLES - ZP1 320/324	2
144	GX5503115	HHCS FOR SEAL GLAND, 3/8-16 X 1-1/4, 18-8SS	8
145	GX5503010	LOCK WASHER FOR SEAL GLAND, 3/8", 18-8SS	8



Double Mechanical Seal

Optional Items Shown in ITALICS

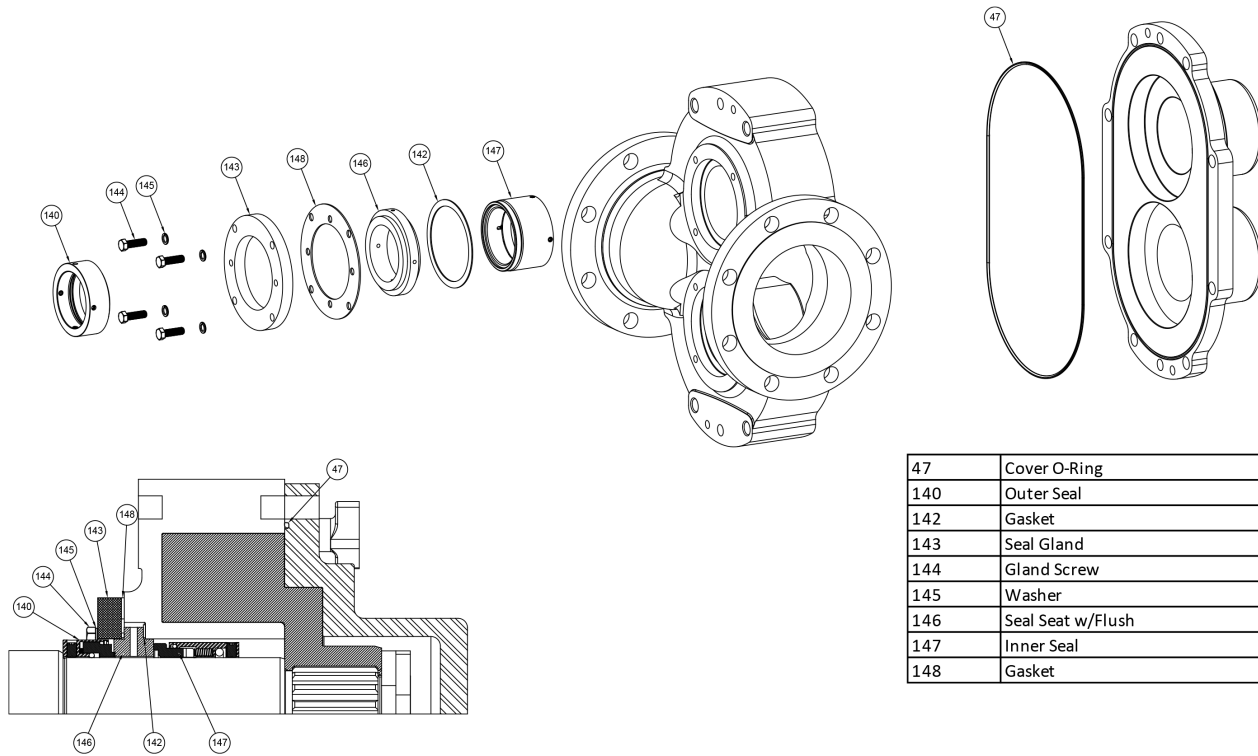
Ref #	Component Item No.	Description	Qty Per
140	P1GS323114003	OUTER SEAL,TYPE 8B2, (N) - ZP1 320/324	2
	<i>P1GS323114001</i>	<i>OUTER SEAL,TYPE 8B2, (C) - ZP1 320/324</i>	<i>2</i>
142	P1GS300042001	GASKET, "T"SEAT, NO FLUSH, ZP1 - 320/324	2
143	P1SX105998	FITTING, FLUSH HOLE	4
	P1SX300034001	SEAL GLAND W/ FLUSH HOLES - ZP1 320/324	2
144	GX5503115	HHCS FOR SEAL GLAND, 3/8-16 X 1-1/4, 18-8SS	8
145	GX5503010	LOCK WASHER FOR SEAL GLAND, 3/8", 18-8SS	8
146	P1GS300014031	SEAL SEAT, WITH FLUSH, (C), ZP1 - 320/324	2
147	P1GS40572	INNER SEAL, (C), ZP1 - 320/324	2
148	P1GS300042002	GASKET,"T"SEAT, WITH FLUSH, ZP1 - 320/324	2



Single Mechanical Seal Kit

Optional Items Shown in ITALICS

Ref #	Component Item No.	Description	Qty Per
1	P1GX320000-N	SEAL KIT, SGL MECH, ELASTOMERS ONLY, BUNA - ZP1 320/324	1
	<i>P1GX320000-E</i>	<i>SEAL KIT, SGL MECH, ELASTOMERS ONLY, EPDM - ZP1 320/324</i>	<i>1</i>
	<i>P1GX320000-V</i>	<i>SEAL KIT, SGL MECH, ELASTOMERS ONLY, VITON - ZP1 320/324</i>	<i>1</i>
2	P1GS320000-N	SEAL KIT, SGL MECH, SC/CA, BUNA - ZP1 320/324	1
	<i>P1GS320000-E</i>	<i>SEAL KIT, SGL MECH, SC/CA, EPDM - ZP1 320/324</i>	<i>1</i>
	<i>P1GS320000-V</i>	<i>SEAL KIT, SGL MECH, SC/CA, VITON - ZP1 320/324</i>	<i>1</i>
3	P1GS320010-N	SEAL KIT, SGL MECH, SC/SC, BUNA - ZP1 320/324	1
	<i>P1GS320010-E</i>	<i>SEAL KIT, SGL MECH, SC/SC, EPDM - ZP1 320/324</i>	<i>1</i>
	<i>P1GS320010-V</i>	<i>SEAL KIT, SGL MECH, SC/SC, VITON - ZP1 320/324</i>	<i>1</i>

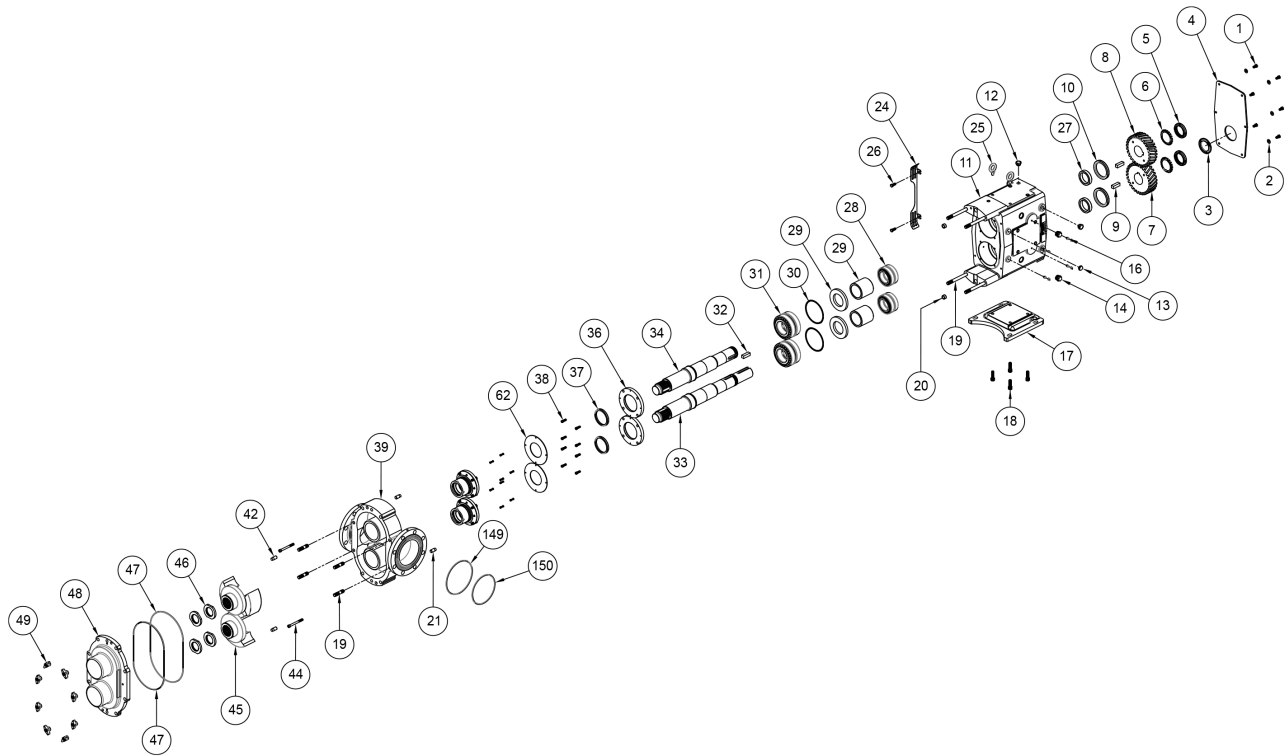


47	Cover O-Ring
140	Outer Seal
142	Gasket
143	Seal Gland
144	Gland Screw
145	Washer
146	Seal Seat w/Flush
147	Inner Seal
148	Gasket

Double Mechanical Seal Kit

Optional Items Shown in ITALICS

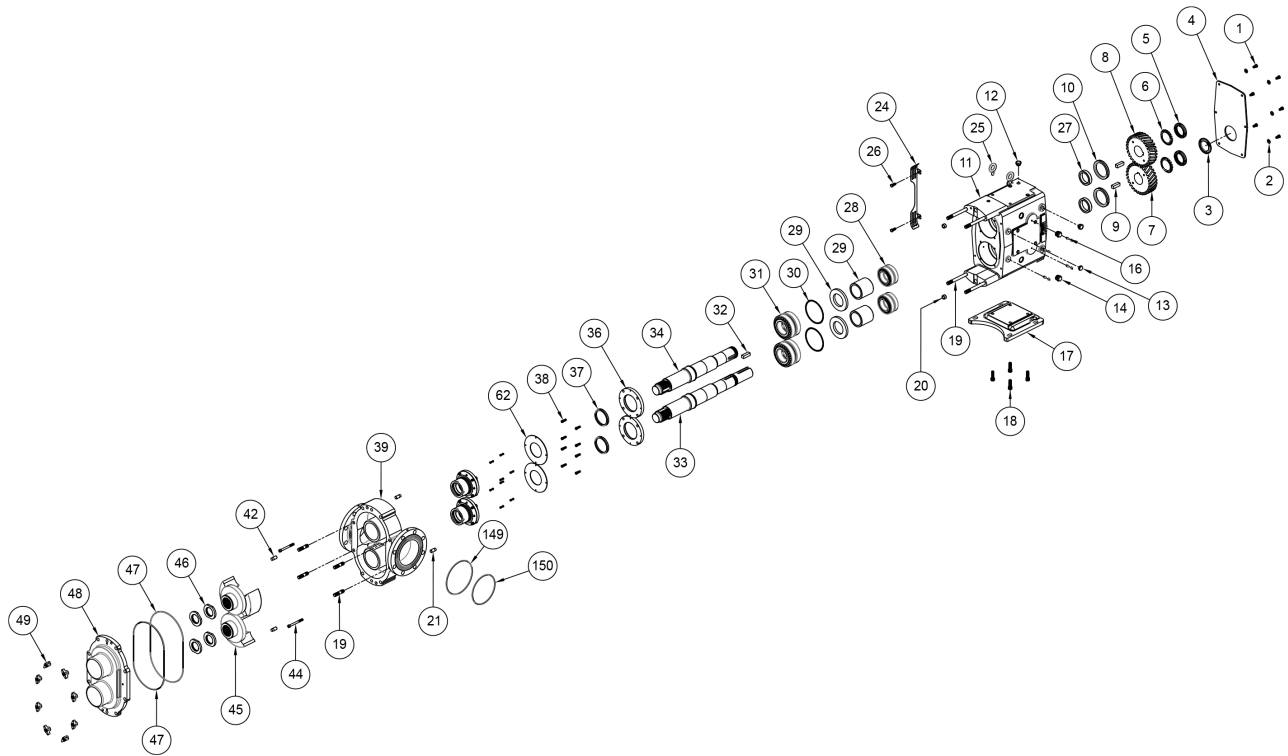
Ref #	Component Item No.	Description	Qty Per
1	P1GX320200-N	SEAL KIT, DBL MECH, ELASTOMERS ONLY, BUNA - ZP1 320/324	1
	<i>P1GX320200-E</i>	<i>SEAL KIT, DBL MECH, ELASTOMERS ONLY, EPDM - ZP1 320/324</i>	<i>1</i>
	<i>P1GX320200-V</i>	<i>SEAL KIT, DBL MECH, ELASTOMERS ONLY, VITON - ZP1 320/324</i>	<i>1</i>
2	P1GS320200-N	SEAL KIT, DBL MECH, SC/CA/CA, BUNA - ZP1 320/324	1
	<i>P1GS320200-E</i>	<i>SEAL KIT, DBL MECH, SC/CA/CA, EPDM - ZP1 320/324</i>	<i>1</i>
	<i>P1GS320200-V</i>	<i>SEAL KIT, DBL MECH, SC/CA/CA, VITON - ZP1 320/324</i>	<i>1</i>
3	P1GS320210-N	SEAL KIT, DBL MECH, SC/SC/CA, BUNA - ZP1 320/324	1
	<i>P1GS320210-E</i>	<i>SEAL KIT, DBL MECH, SC/SC/CA, EPDM - ZP1 320/324</i>	<i>1</i>
	<i>P1GS320210-V</i>	<i>SEAL KIT, DBL MECH, SC/SC/CA, VITON - ZP1 320/324</i>	<i>1</i>



Exploded View

Optional Items Shown in ITALICS

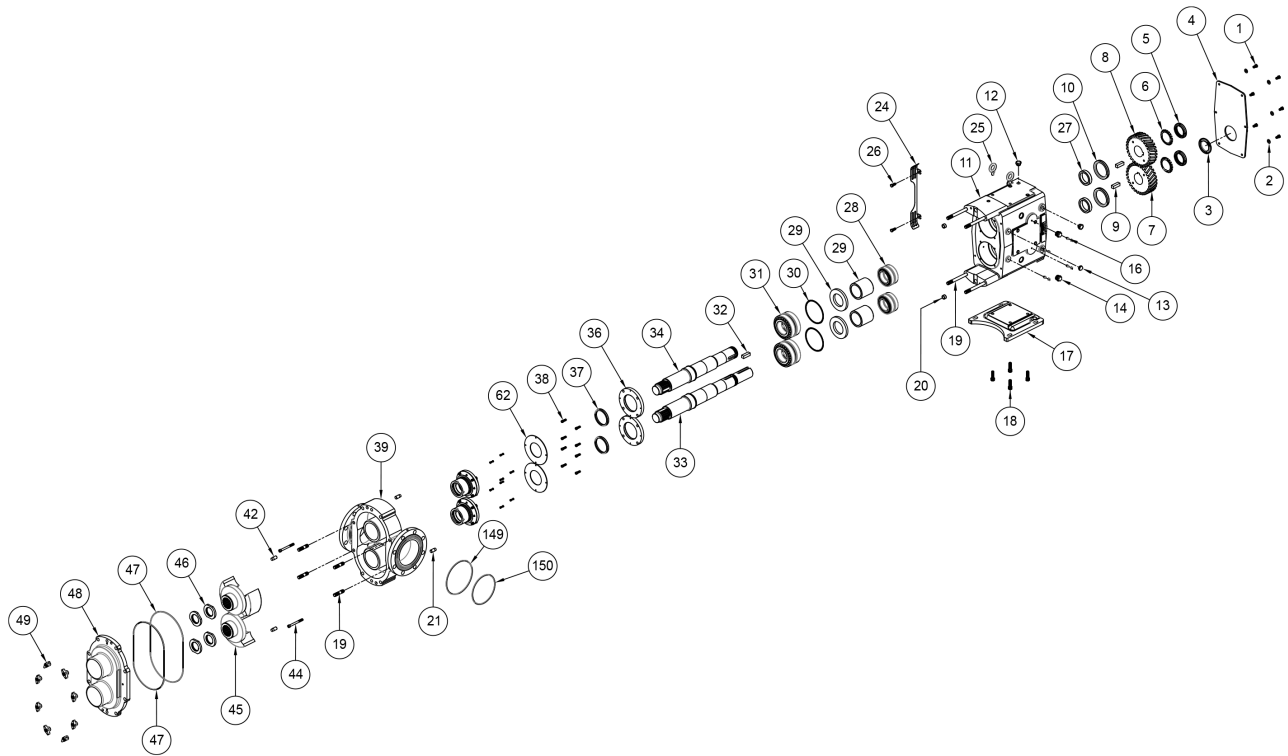
Ref #	Component Item No.	Description	Qty Per
1	P1GX30-50	GEAR CASE COVER BOLT - 3/8-16 X 3/4 HHCS (18-8 SS)	6
2	P1GX43-189	GEAR CASE COVER WASHER - 3/8 FLAT WASHER (18-8 SS)	6
3	P1GXSTD030004-ND	OIL SEAL, PTFE, GEAR CASE COVER - ZP1 & ZP2 320/324	1
	<i>P1GXSTD030004</i>	<i>OIL SEAL, GEAR CASE COVER - ZP1 & ZP2 320/324</i>	<i>1</i>
4	P1SX40669	GEAR CASE COVER, SS - ZP1 & ZP2 320/324	1
5	P1GXOH1236000	GEAR LOCKNUT ZP1 & ZP2 320/324	2
6	P1GXOH1136000	GEAR LOCKWASHER ZP1 & ZP2 320/324	2
7	P1GX320007001	GEAR DRIVE SHAFT ZP1 & ZP2 320/324	1
8	P1GX320007002	GEAR SHORT SHAFT ZP1 & ZP2 320/324	1
9	P1GXOH1037000	GEAR KEY - ZP1 & ZP2 320/324	2
10	P1GX102475	OIL SEAL REAR - ZP1 & ZP2 320/324	2
11	P1SX40616	GEAR CASE, SS - ZP1 & ZP2 320/324	1
12	P1GX115798	PLUG,HEX,20M X1.5,W/NBR SEAL	5
13	P1GX115799	GAUGE,OIL,LVL,INDIC,M-20X1.5	1
14	P1GX70PLUG-SS	CLEAN OUT PLUG, SS - ZP1 & ZP2 45/60/64/130/134	4
	<i>P1GX70PLUG</i>	<i>CLEAN OUT PLUG, YELLOW - ZP1 & ZP2 45/60/64/130/134</i>	<i>4</i>
16	P1GXBD0092001	GREASE FITTING, THREADED 1/4"-28 TAPER, SS	8
17	P1SX40288	GEAR CASE BASE, SS - ZP1 & ZP2 320/324	1
18	P1GX30-250	SHCS, G. CASE BASE, (18-8 SS) 1/2-13 X 1.75" ZP1 & ZP2 320/324	4
19	P1GX111291	STUD, LONG, ZP1 320/324	4
	P1GX111292	STUD, SHORT, ZP1 320/324	4
20	P1GXOH1116000	DOWEL BUSHING - ZP1 & ZP2 320/324	2
21	P1GXOH1040R00	DOWEL PIN, GEAR BOX SIDE - ZP1 320/324	2
24	P1SX320CEGUARD	GUARD,320/324,(CE),GC,SS	2
25	P1GXEYEBOLT-SS	EYE BOLT,60-224,SS	3
26	P1GX000CENAIL	DRIVENAIL,ZP,GEAR CASE GUARDS	4



Exploded View

Optional Items Shown in ITALICS

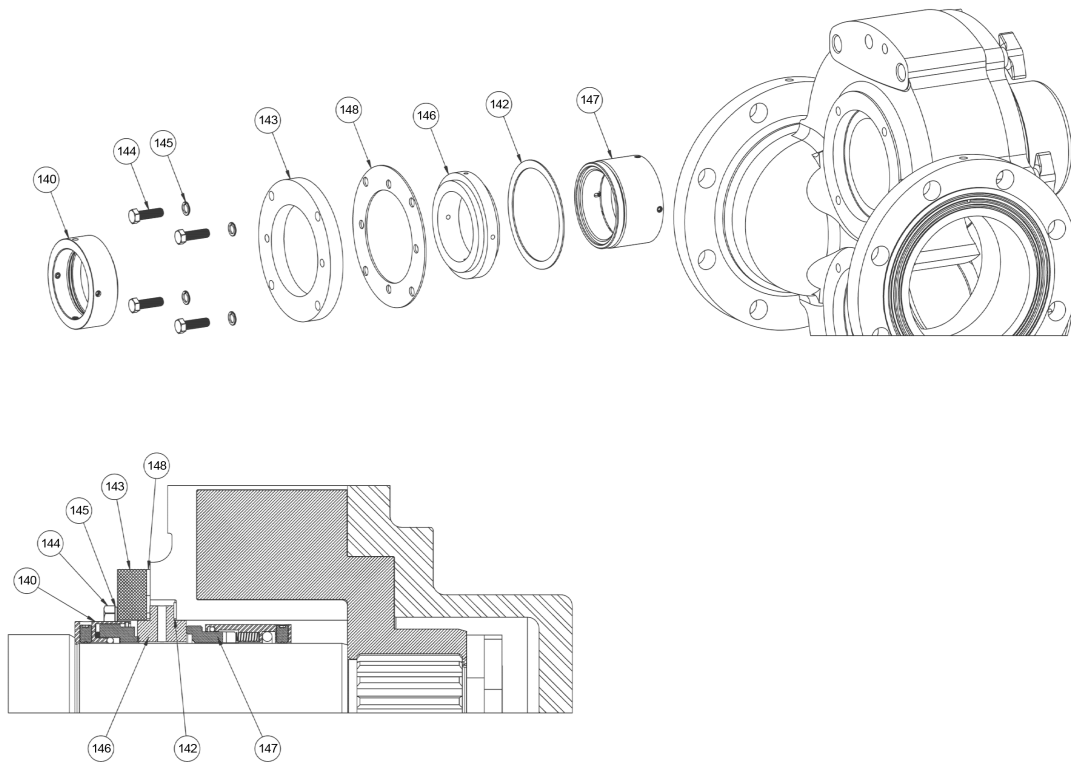
Ref #	Component Item No.	Description	Qty Per
27	P1GX102474	GEAR TO REAR BEARING SPACER - ZP1 & ZP2 320/324	2
28	P1GXOH1036000	REAR BEARING - ZP1 & ZP2 320/324	2
29	P1GX102472	BEARING SPACER, THICK - ZP1 & ZP2 320/324	2
	P1GX102473	BEARING SPACER, THIN - ZP1 & ZP2 320/324	2
30	P1GX117893	SHIM KIT - ZP1 & ZP2 320/324	2
31	P1GXOH1036003	FRONT BEARING - ZP1 & ZP2 320/324	2
32	P1GX000037005	DRIVE KEY, 5/8" SQ. X 2" - ZP1 & ZP2 320/324	1
33	P1SXOH1008002	DRIVE SHAFT (17-4PH) - ZP1 320/324	1
34	P1SXOH1009002	SHORT SHAFT (17-4PH) - ZP1 320/324	1
36	P1SXOH1080000	BEARING RETAINER - ZP1 320/324	2
37	P1GXSTD030002-ND	GREASE SEAL, PTFE, FRONT BEARING RET. - ZP1 & ZP2 320/324	2
	<i>P1GXSTD030002</i>	<i>GREASE SEAL FRONT BEARING RET. - ZP1 & ZP2 320/324</i>	2
38	P1GX30-343	BEARING RETAINER BOLT - 5/16-18 X 1 SHCS (18-8 SS)	8
39	P1BDY323001000	BODY - ZP1 323	1
42	P1GXOH1040000	DOWEL PIN, COVER SIDE - ZP1 & ZP2 320/324	2
44	P1GX130RETSREW	BODY RETAINING SCREW, 3/8-16 X 4" 18-8SS - ZP3 320/324	2
45	P1RTB323010000	ROTOR TWIN BLADE - ALLOY 88 - ZP1 323	2
46	P1SX0H1052003	ROTOR JAM NUT - ZP1 320/324	4
47	V70279	O-RING, COVER INNER (VITON) - ZP1 323	1
	V70280	O-RING, COVER (VITON) - ZP1 320/324	1
	<i>E70279</i>	<i>O-RING, COVER INNER (EPDM) - ZP1 323</i>	1
	<i>E70280</i>	<i>O-RING, COVER (EPDM) - ZP1 320/324</i>	1
	<i>S75279</i>	<i>O-RING, COVER INNER (SILICONE) - ZP1 323</i>	1
	<i>S75280</i>	<i>O-RING, COVER (SILICONE) - ZP1 320/324</i>	1
48	P1CVR323002020	COVER - ZP1 323	1



Exploded View

Optional Items Shown in ITALICS

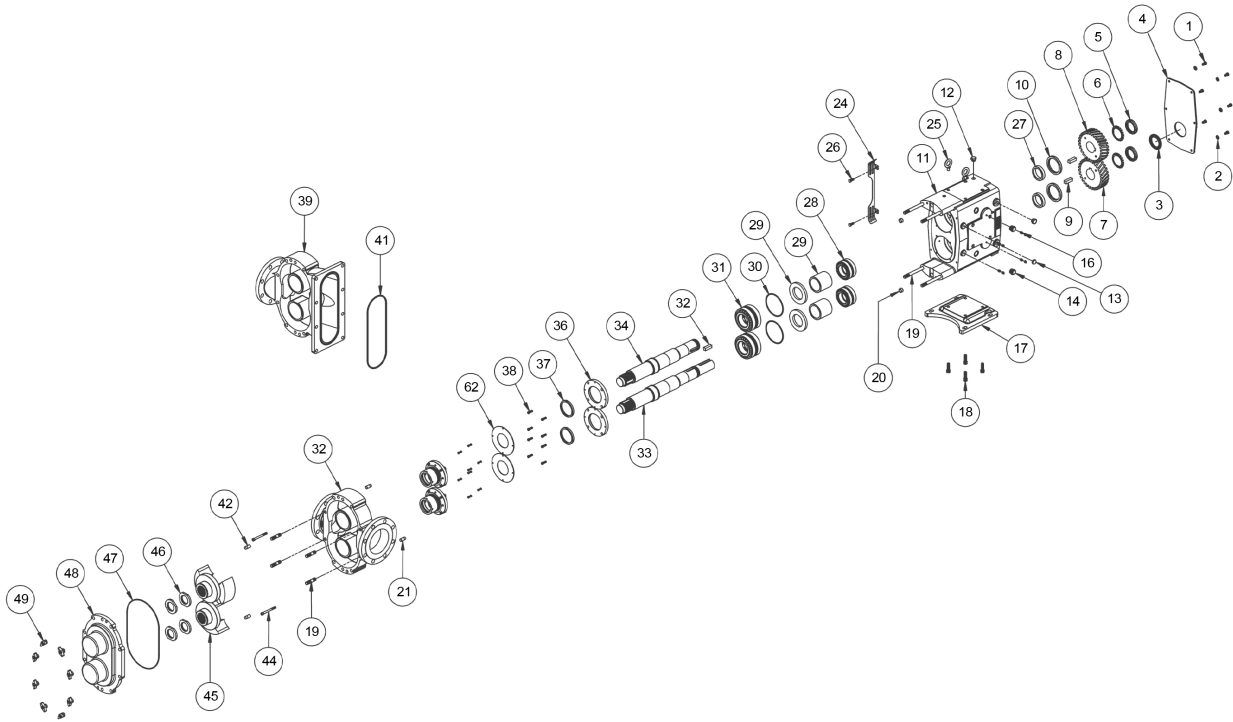
Ref #	Component Item No.	Description	Qty Per
49	P1GX110858	WING NUT, COVER - ZP1 320/324	8
	<i>P1SX108373</i>	<i>HEX NUT, COVER - ZP1 320/324</i>	<i>8</i>
62	P1GX30-212	CAPSCRW,HX,10-32X1/2,18-8SS	8
	P1GX30-213	WASHER,210/320,LOCK,10-32	8
	P1SX320SPLATE	BEARING RETAINER SPLASH PLATE - ZP1 320/324	2
900	P1GXAD0096001	PICK,COMBO,O-RING ZP1 ZP2	1
901	P1GX000140003	OIL,460FG,MAGNAPLT,1GAL ZP	1
902	P1GX000140002	GREASE,HALO GUARD,14OZ TUBE ZP	1
903	P1GXRTVSEAL	SILICONE,DOW,732,30Z ZP1 ZP2	1
904	P1GX109899	WRENCH,320/324,RTR NUT ZP1	1



Double Mechanical Seal

Optional Items Shown in ITALICS

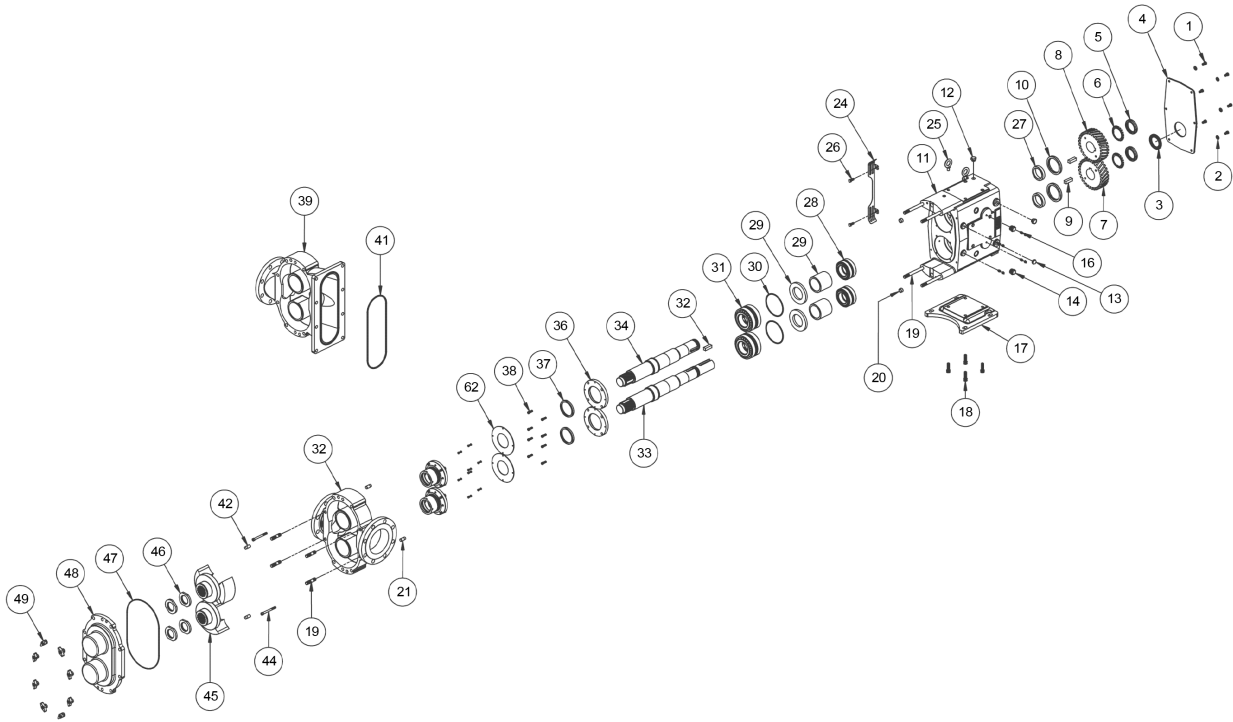
Ref #	Component Item No.	Description	Qty Per
140	P1GS323114003	OUTER SEAL, TYPE 8B2, (N) - ZP1 320/324	2
	<i>P1GS323114001</i>	<i>OUTER SEAL, TYPE 8B2, (C) - ZP1 320/324</i>	<i>2</i>
142	P1GS300042001	GASKET, "T" SEAT, NO FLUSH, ZP1 - 320/324	2
143	P1SX105998	FITTING, FLUSH HOLE	4
	P1SX300034001	SEAL GLAND W/ FLUSH HOLES - ZP1 320/324	2
144	GX5503115	HHCS FOR SEAL GLAND, 3/8-16 X 1-1/4, 18-8SS	8
145	GX5503010	LOCK WASHER FOR SEAL GLAND, 3/8", 18-8SS	8
146	P1GS300014031	SEAL SEAT, WITH FLUSH, (C), ZP1 - 320/324	2
147	P1GS40572	INNER SEAL, (C), ZP1 - 320/324	2
148	P1GS300042002	GASKET, "T" SEAT, WITH FLUSH, ZP1 - 320/324	2



Exploded View

Optional Items Shown in ITALICS

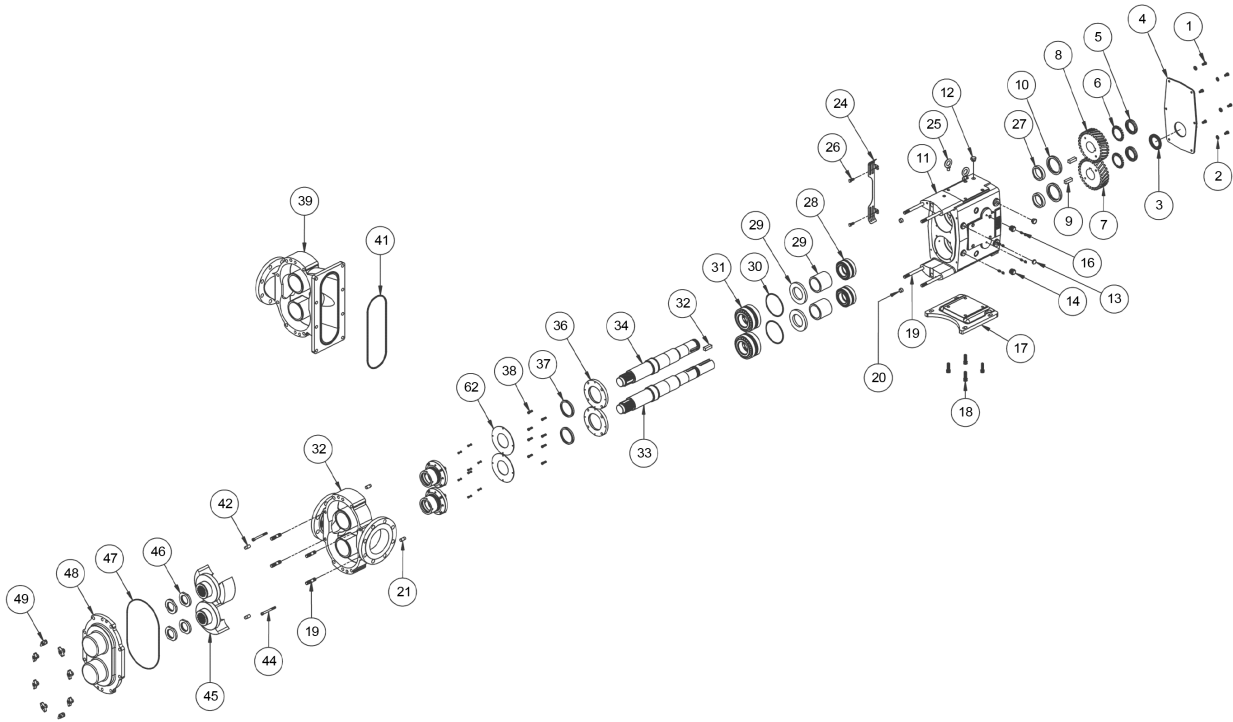
Ref #	Component Item No.	Description	Qty Per
1	P1GX30-50	GEAR CASE COVER BOLT - 3/8-16 X 3/4 HHCS (18-8 SS)	6
2	P1GX43-189	GEAR CASE COVER WASHER - 3/8 FLAT WASHER (18-8 SS)	6
3	P1GXSTD030004-ND	OIL SEAL, PTFE, GEAR CASE COVER - ZP1 & ZP2 320/324	1
	<i>P1GXSTD030004</i>	<i>OIL SEAL, GEAR CASE COVER - ZP1 & ZP2 320/324</i>	<i>1</i>
4	P1SX40669	GEAR CASE COVER, SS - ZP1 & ZP2 320/324	1
5	P1GXOH1236000	GEAR LOCKNUT ZP1 & ZP2 320/324	2
6	P1GXOH1136000	GEAR LOCKWASHER ZP1 & ZP2 320/324	2
7	P1GX320007001	GEAR DRIVE SHAFT ZP1 & ZP2 320/324	1
8	P1GX320007002	GEAR SHORT SHAFT ZP1 & ZP2 320/324	1
9	P1GXOH1037000	GEAR KEY - ZP1 & ZP2 320/324	2
10	P1GX102475	OIL SEAL REAR - ZP1 & ZP2 320/324	2
11	P1SX40616	GEAR CASE, SS - ZP1 & ZP2 320/324	1
12	P1GX115798	PLUG,HEX,20M X1.5,W/NBR SEAL	5
13	P1GX115799	GAUGE,OIL,LVL,INDIC,M-20X1.5	1
14	P1GX70PLUG-SS	CLEAN OUT PLUG, SS - ZP1 & ZP2 45/60/64/130/134	4
	<i>P1GX70PLUG</i>	<i>CLEAN OUT PLUG, YELLOW - ZP1 & ZP2 45/60/64/130/134</i>	<i>4</i>
16	P1GXBD0092001	GREASE FITTING, THREADED 1/4"-28 TAPER, SS	8
17	P1SX40288	GEAR CASE BASE, SS - ZP1 & ZP2 320/324	1
18	P1GX30-250	SHCS, G. CASE BASE, (18-8 SS) 1/2-13 X 1.75" ZP1 & ZP2 320/324	4
19	P1GX111291	STUD, LONG, ZP1 320/324	4
	P1GX111292	STUD, SHORT, ZP1 320/324	4
20	P1GXOH1116000	DOWEL BUSHING - ZP1 & ZP2 320/324	2
21	P1GXOH1040R00	DOWEL PIN, GEAR BOX SIDE - ZP1 320/324	2
24	P1SX320CEGUARD	GUARD,320/324,(CE),GC,SS	2
25	P1GXKEYBOLT-SS	EYE BOLT,60-224,SS	3
26	P1GX000CENAIL	DRIVENAIL,ZP,GEAR CASE GUARDS	4



Exploded View

Optional Items Shown in ITALICS

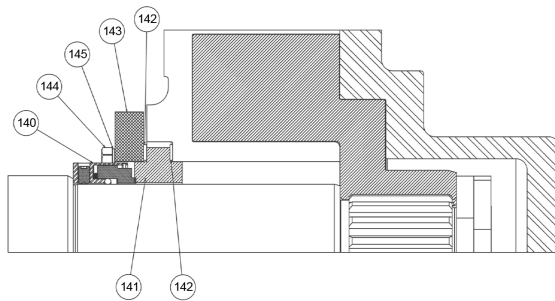
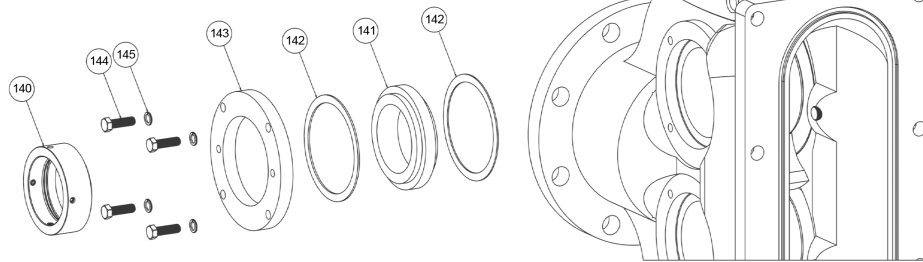
Ref #	Component Item No.	Description	Qty Per
27	P1GX102474	GEAR TO REAR BEARING SPACER - ZP1 & ZP2 320/324	2
28	P1GXOH1036000	REAR BEARING - ZP1 & ZP2 320/324	2
29	P1GX102472	BEARING SPACER, THICK - ZP1 & ZP2 320/324	2
	P1GX102473	BEARING SPACER, THIN - ZP1 & ZP2 320/324	2
30	P1GX117893	SHIM KIT - ZP1 & ZP2 320/324	2
31	P1GXOH1036003	FRONT BEARING - ZP1 & ZP2 320/324	2
32	P1GX000037005	DRIVE KEY, 5/8" SQ. X 2" - ZP1 & ZP2 320/324	1
33	P1SXOH1008002	DRIVE SHAFT (17-4PH) - ZP1 320/324	1
34	P1SXOH1009002	SHORT SHAFT (17-4PH) - ZP1 320/324	1
36	P1SXOH1080000	BEARING RETAINER - ZP1 320/324	2
37	P1GXSTD030002-ND	GREASE SEAL, PTFE, FRONT BEARING RET. - ZP1 & ZP2 320/324	2
	<i>P1GXSTD030002</i>	<i>GREASE SEAL FRONT BEARING RET. - ZP1 & ZP2 320/324</i>	2
38	P1GX30-343	BEARING RETAINER BOLT - 5/16-18 X 1 SHCS (18-8 SS)	8
39	P1BDY324001000	BODY - ZP1 324	1
41	N70382	O-RING, RECTANGULAR FLANGE (BUNA) - ZP1 324	1
	<i>E70382</i>	<i>O-RING, RECTANGULAR FLANGE (EPDM) - ZP1 324</i>	1
	<i>V70382</i>	<i>O-RING, RECTANGULAR FLANGE (VITON) - ZP1 324</i>	1
42	P1GXOH1040000	DOWEL PIN, COVER SIDE - ZP1 & ZP2 320/324	2
44	P1GX130RETSCREW	BODY RETAINING SCREW, 3/8-16 X 4" 18-8SS - ZP3 320/324	2
45	P1RTB320010000	ROTOR TWIN BLADE - ALLOY 88 - ZP1 320/324	2
	<i>P1RTB32001000H</i>	<i>ROTOR TWIN BLADE - ALLOY 88 - ZP1 320/324 - HOT CLEARANCE</i>	2
46	P1SXOH1052003	ROTOR JAM NUT - ZP1 320/324	4
47	N70280	O-RING, COVER (BUNA) - ZP1 320/324	1
	<i>E70280</i>	<i>O-RING, COVER (EPDM) - ZP1 320/324</i>	1
	<i>V70280</i>	<i>O-RING, COVER (VITON) - ZP1 320/324</i>	1



Exploded View

Optional Items Shown in ITALICS

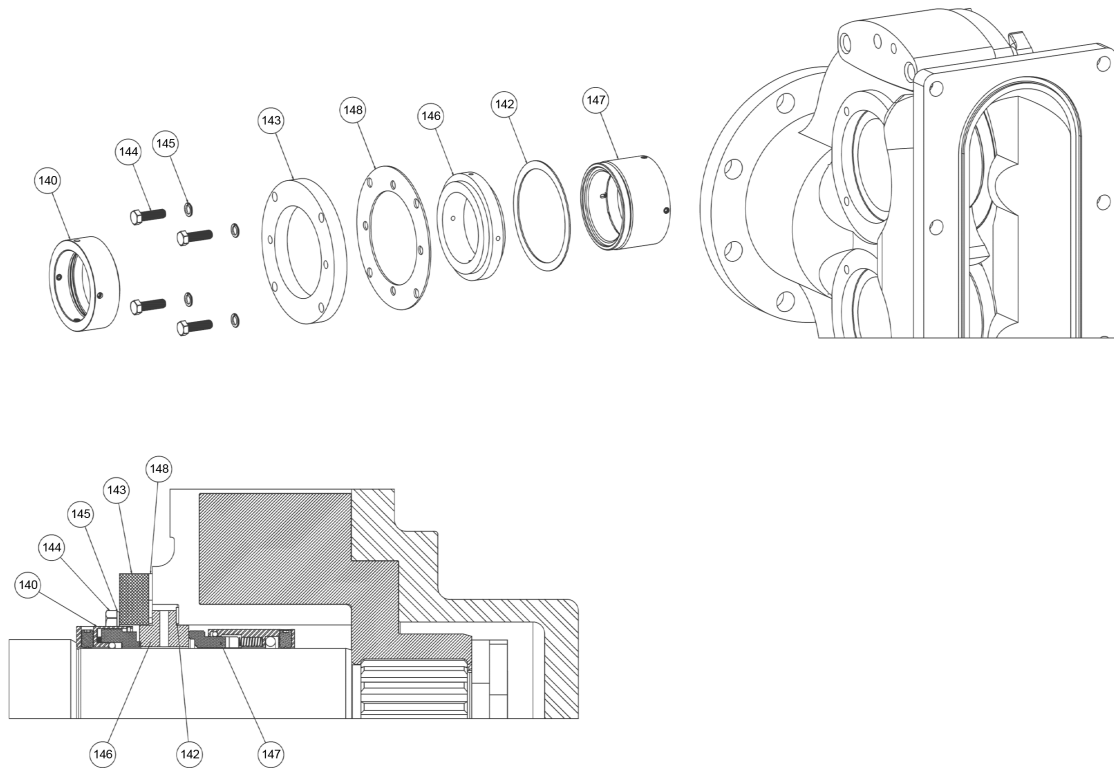
Ref #	Component Item No.	Description	Qty Per
48	P1CVR0H1002000	COVER - ZP1 320/324	1
49	P1GX110858	WING NUT, COVER - ZP1 320/324	8
	<i>P1SX108373</i>	<i>HEX NUT, COVER - ZP1 320/324</i>	8
62	P1GX30-212	CAPSCRW,HX,10-32X1/2,18-8SS	8
	P1GX30-213	WASHER,210/320,LOCK,10-32	8
	P1SX320SPATE	BEARING RETAINER SPLASH PLATE - ZP1 320/324	2
900	P1GXAD0096001	PICK,COMBO,O-RING ZP1 ZP2	1
901	P1GX000140003	OIL,460FG,MAGNAPLT,1GAL ZP	1
902	P1GX000140002	GREASE,HALO GUARD,14OZ TUBE ZP	1
903	P1GXRTVSEAL	SILICONE,DOW,732,30Z ZP1 ZP2	1
904	P1GX109899	WRENCH,320/324,RTR NUT ZP1	1



Single Mechanical Seal

Optional Items Shown in ITALICS

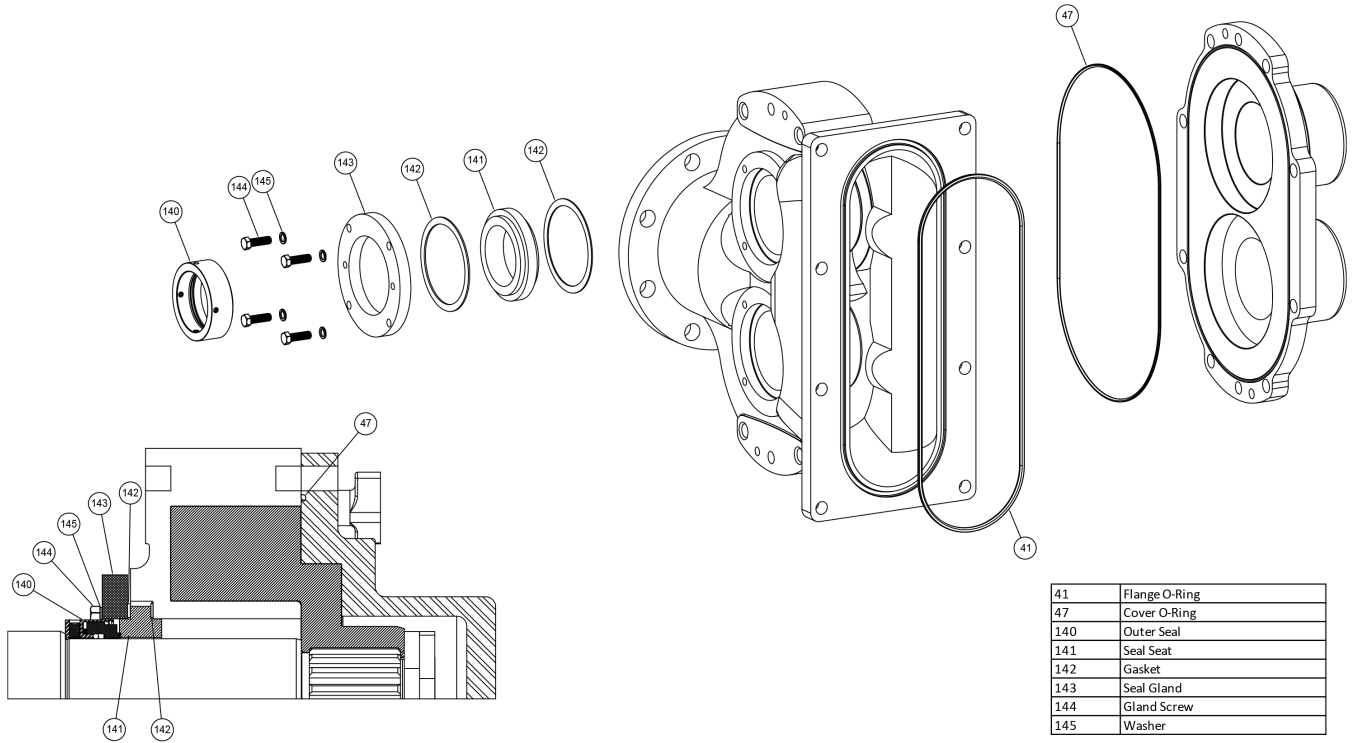
Ref #	Component Item No.	Description	Qty Per
140	P1GS323114003	OUTER SEAL, TYPE 8B2, (N) - ZP1 320/324	2
	<i>P1GS323114001</i>	<i>OUTER SEAL, TYPE 8B2, (C) - ZP1 320/324</i>	<i>2</i>
141	P1GS300014016	SEAL SEAT, NO FLUSH, (C), ZP1 - 320/324	2
142	P1GS300042001	GASKET, "T" SEAT, NO FLUSH, ZP1 - 320/324	4
143	P1GXFLUSHPLUGS	PLUG, SEAL GLAND FLUSH, 304SS	4
	P1SX300034001	SEAL GLAND W/ FLUSH HOLES - ZP1 320/324	2
144	GX5503115	HHCS FOR SEAL GLAND, 3/8-16 X 1-1/4, 18-8SS	8
145	GX5503010	LOCK WASHER FOR SEAL GLAND, 3/8", 18-8SS	8



Double Mechanical Seal

Optional Items Shown in ITALICS

Ref #	Component Item No.	Description	Qty Per
140	P1GS323114003	OUTER SEAL,TYPE 8B2, (N) - ZP1 320/324	2
	<i>P1GS323114001</i>	<i>OUTER SEAL,TYPE 8B2, (C) - ZP1 320/324</i>	<i>2</i>
142	P1GS300042001	GASKET, "T"SEAT, NO FLUSH, ZP1 - 320/324	2
143	P1SX105998	FITTING, FLUSH HOLE	4
	P1SX300034001	SEAL GLAND W/ FLUSH HOLES - ZP1 320/324	2
144	GX5503115	HHCS FOR SEAL GLAND, 3/8-16 X 1-1/4, 18-8SS	8
145	GX5503010	LOCK WASHER FOR SEAL GLAND, 3/8", 18-8SS	8
146	P1GS300014031	SEAL SEAT, WITH FLUSH, (C), ZP1 - 320/324	2
147	P1GS40572	INNER SEAL, (C), ZP1 - 320/324	2
148	P1GS300042002	GASKET,"T"SEAT, WITH FLUSH, ZP1 - 320/324	2

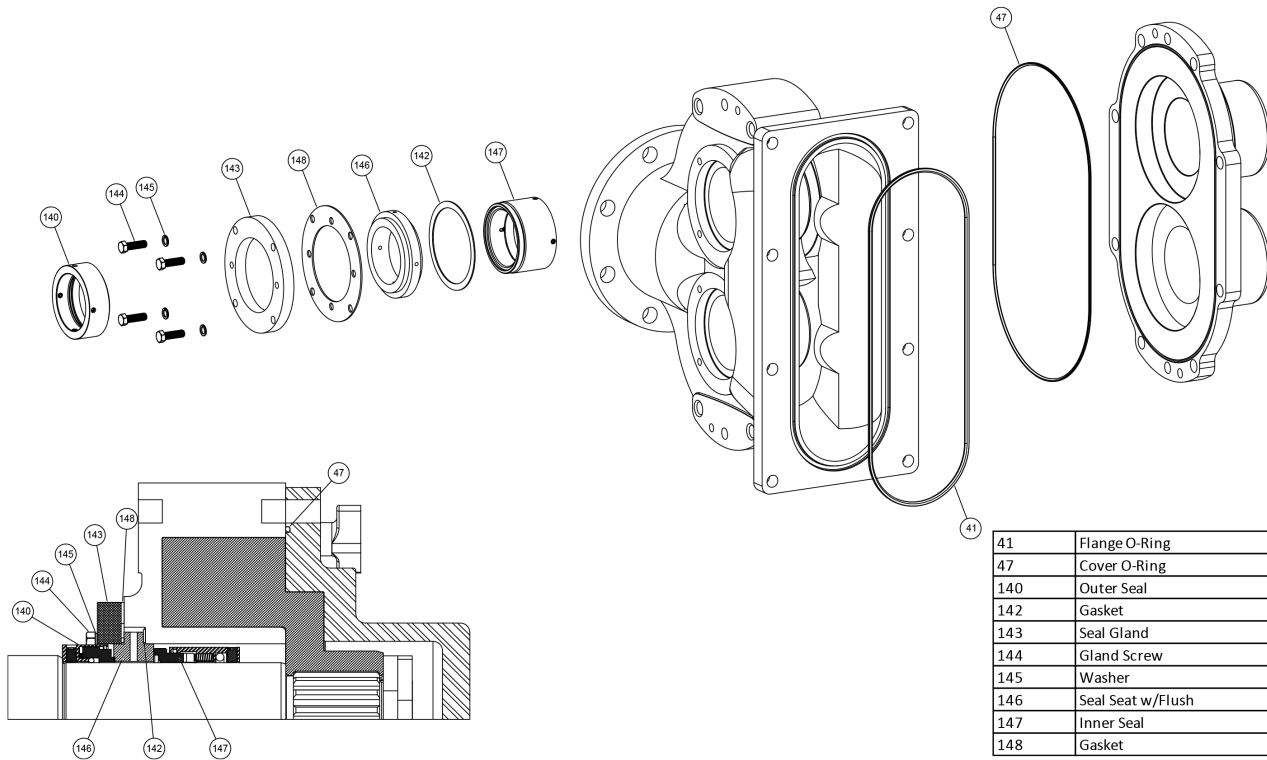


41	Flange O-Ring
47	Cover O-Ring
140	Outer Seal
141	Seal Seat
142	Gasket
143	Seal Gland
144	Gland Screw
145	Washer

Single Mechanical Seal Kit

Optional Items Shown in ITALICS

Ref #	Component Item No.	Description	Qty Per
1	P1GX320000-N	SEAL KIT, SGL MECH, ELASTOMERS ONLY, BUNA - ZP1 320/324	1
	<i>P1GX320000-E</i>	<i>SEAL KIT, SGL MECH, ELASTOMERS ONLY, EPDM - ZP1 320/324</i>	<i>1</i>
	<i>P1GX320000-V</i>	<i>SEAL KIT, SGL MECH, ELASTOMERS ONLY, VITON - ZP1 320/324</i>	<i>1</i>
2	P1GS320000-N	SEAL KIT, SGL MECH, SC/CA, BUNA - ZP1 320/324	1
	<i>P1GS320000-E</i>	<i>SEAL KIT, SGL MECH, SC/CA, EPDM - ZP1 320/324</i>	<i>1</i>
	<i>P1GS320000-V</i>	<i>SEAL KIT, SGL MECH, SC/CA, VITON - ZP1 320/324</i>	<i>1</i>
3	P1GS320010-N	SEAL KIT, SGL MECH, SC/SC, BUNA - ZP1 320/324	1
	<i>P1GS320010-E</i>	<i>SEAL KIT, SGL MECH, SC/SC, EPDM - ZP1 320/324</i>	<i>1</i>
	<i>P1GS320010-V</i>	<i>SEAL KIT, SGL MECH, SC/SC, VITON - ZP1 320/324</i>	<i>1</i>



Double Mechanical Seal Kit

Optional Items Shown in ITALICS

Ref #	Component Item No.	Description	Qty Per
1	P1GX320200-N	SEAL KIT, DBL MECH, ELASTOMERS ONLY, BUNA - ZP1 320/324	1
	<i>P1GX320200-E</i>	<i>SEAL KIT, DBL MECH, ELASTOMERS ONLY, EPDM - ZP1 320/324</i>	<i>1</i>
	<i>P1GX320200-V</i>	<i>SEAL KIT, DBL MECH, ELASTOMERS ONLY, VITON - ZP1 320/324</i>	<i>1</i>
2	P1GS320200-N	SEAL KIT, DBL MECH, SC/CA/CA, BUNA - ZP1 320/324	1
	<i>P1GS320200-E</i>	<i>SEAL KIT, DBL MECH, SC/CA/CA, EPDM - ZP1 320/324</i>	<i>1</i>
	<i>P1GS320200-V</i>	<i>SEAL KIT, DBL MECH, SC/CA/CA, VITON - ZP1 320/324</i>	<i>1</i>
3	P1GS320210-N	SEAL KIT, DBL MECH, SC/SC/CA, BUNA - ZP1 320/324	1
	<i>P1GS320210-E</i>	<i>SEAL KIT, DBL MECH, SC/SC/CA, EPDM - ZP1 320/324</i>	<i>1</i>
	<i>P1GS320210-V</i>	<i>SEAL KIT, DBL MECH, SC/SC/CA, VITON - ZP1 320/324</i>	<i>1</i>

AMPCO PUMPS
Made of SELECTED corrosion-resistant alloys

TERMS AND CONDITIONS OF SALE

1. **ENTIRE AGREEMENT.** This document contains all of the terms and conditions of the agreement ("the agreement") between Ampco Pumps Company, Inc. ("Seller") and the purchaser ("Purchaser") of the Products ("Products") to be sold to Purchaser, to the exclusion of any other statements and agreements, and to the exclusion of any terms and conditions incorporated in Purchaser's order or other documents of Purchaser. Seller's acceptance of Purchaser's order is expressly conditioned on Purchaser's acceptance of the terms and conditions contained herein, and Purchaser, upon placing an order, is presumed to have accepted all the terms and conditions without modification. No alteration, waiver, modification of or addition to the terms and conditions herein shall be binding on Seller unless set forth in writing and specifically agreed to by an officer of Seller. No course of dealing, usage of trade or course of performance will be relevant to supplement or explain any terms used in the agreement. All offers to purchase, quotations and contracts of sale are subject to final acceptance by Seller at its home office at Milwaukee, Wisconsin.
2. **PRICES.** Prices for Products manufactured by Seller pursuant to written accepted orders will remain firm for thirty (30) days from the date of any subsequent price change.
3. **TERMS OF PAYMENT.** Standard terms are 1/2% 10 days, 30 days net, from date of invoice unless otherwise stated. If, in the judgment of Seller, the financial condition of Purchaser at any time does not justify continuance of production or shipment on the terms of payment specified, Seller may require full or partial payment in advance. In cases of delays in payment, Seller reserves the right to charge interest on delinquent balances at the rate of 1 1/2% per month.
4. **DELIVERY.** Except as otherwise provided expressly stated in the agreement, Products are sold F.O.B. Milwaukee. Seller will use reasonable commercial efforts to fill orders within the time stated, but the stated delivery date is approximate only, and Seller reserves the right to readjust shipment schedules without liability. Acceptance by Purchaser of the Products waives any claim for loss or damage resulting from a delay, regardless of the cause of the delay. Except as otherwise provided herein, Seller will not be responsible for freight, transportation, insurance, shipping, storage, handling, demurrage or similar charges. Claims by Purchaser for shortages in the Products must be made to Seller in writing within ten (10) days after date of receipt of the Products. No such shortage shall entitle Purchaser to withhold payment for Products which were received by Purchaser. Each such claim shall set forth in detail the basis and amount of such claim.
5. **TAXES AND FEES.** Seller shall pay all present and future sales, excise, privilege, use or other taxes, customs duties, and all other fees or other costs, imposed by any federal, state, foreign, or local authorities arising from the sale, purchase, transportation, delivery, storage, use or consumption of the Products or will, if applicable, provide Seller with an appropriate exemption certificate. Seller shall be under no obligation to contest the validity of any such taxes or to prosecute any claims for refunds or returns.
6. **INSTALLATION.** The Products shall be installed by and at the expense of Purchaser.
7. **LOSS, DAMAGE OR DELAY.** Seller will not be liable for loss, damage or delay resulting from causes beyond its reasonable control, including, without limitation, strikes or labor difficulties, lockouts, acts or omissions of any governmental authority or Seller, insurrection or riot, war, fires, floods, Acts of God, breakdown of essential machinery, accidents, embargoes, cargo or material shortages, delays in transportation, lack of production capacity or inability to obtain labor, materials or parts from usual sources. In the event of any such delay, performance will be postponed by such length of time as may be reasonably necessary to compensate for the delay. In the event performance by Seller under the agreement cannot be accomplished by Seller due to any of the foregoing causes within a reasonable period of time, Seller may, at its option, terminate the agreement without liability.
8. **RETURNS.** No Products or parts may be returned by Purchaser without the prior written consent of Seller.
9. **WARRANTY.** Seller warrants that the Products manufactured by Seller will be free from defects, material and workmanship under normal use and service for a period of one (1) year from date of shipment. In addition, the specified rating of each pump is warranted; however, the characteristic shape of the performance curves may vary from the published standards, and the capacity, head and efficiency guarantees are based on actual shop tests using clear cold water, and therefore the rating is specified in equivalent units of clear cold water. The sole obligation of Seller and the exclusive remedy of Purchaser for breach of this warranty shall be the repair (at Seller's facility) or replacement by Seller (F.O.B. Milwaukee, Wisconsin), at Seller's option, of any parts found to be defective, without charge and shall be conditioned upon Seller receiving written notice of any alleged breach of this warranty within a reasonable time after discovery of the defects, but in no event later than the end of the warranty period. The parts alleged to be defective shall be returned to Seller upon its request, freight prepaid. This warranty does not cover ordinary wear and tear, abuse, misuse, overloading, alteration or Products or parts which have not been installed, operated or maintained in accordance with Seller's written instructions. Seller shall not be liable for any expenses for repairs, additions or modifications to the Products outside of Seller's factory without its prior written consent, and any such repairs without such consent shall void this warranty. **THIS WARRANTY IS EXCLUSIVE AND IS IN LIEU OF ALL OTHER EXPRESS AND IMPLIED WARRANTIES WHATSOEVER, INCLUDING BUT NOT LIMITED TO IMPLIED WARRANTIES OF MERCHANTABILITY AND FITNESS FOR A PARTICULAR PURPOSE.** Seller may from time to time provide its facilities, personnel and experience to assist customers in the selection of materials, design, installation and operation of Products for maximum resistance to corrosion and abrasion with due consideration to the economy of the installation. This service is provided in an advisory capacity only and the final selection and operation of the Products and ancillary equipment shall be the sole responsibility of Purchaser or any user thereof. Accessories and parts manufactured by third parties are warranted only to the extent of such third party's warranty. **IN NO EVENT SHALL SELLER BE LIABLE UNDER ANY CIRCUMSTANCES FOR ANY INCIDENTAL, CONSEQUENTIAL OR SPECIAL DAMAGES (INCLUDING, WITHOUT LIMITATION, ANY LOST PROFITS OR LABOR COSTS) ARISING FROM THE BREACH OF THIS WARRANTY OR OTHERWISE ARISING FROM OR RELATING TO THE PRODUCTS OR THEIR SALE, USE OR INSTALLATION.**
10. **CHANGES.** Changes in any work to be performed hereunder may be made only upon Purchaser's written instructions and acceptance by Seller in its discretion. Any change in drawings, materials or design of the Products, or to tools, fixtures or other items used to produce the Products, which affects Seller's cost to produce the Products will entitle Seller to adjust the price to take into account any additional costs. If work has been started, Seller shall be properly reimbursed for work already performed; if Products already produced are not accepted by Purchaser, Seller has the right to adjust the price to take into account any additional costs caused by an increase or decrease in quantities or in the time required for performance under the agreement.
11. **TERMINATION.** After Seller has commenced work, ordered any materials or made any other commitments pursuant to the agreement, it may be terminated only with the prior written agreement of Seller providing for equitable cancellation charges. Such charges shall reimburse Seller for any completed items at the contract price, and for any work-in-process items at the contract price less the cost to complete. Termination on any other basis must be specifically agreed on in writing in advance between Purchaser and Seller.
12. **DEFERRED DELIVERIES.** Orders or deliveries will be deferred only upon the prior written agreement of Seller in its discretion, and then only upon the following conditions:

(a) The deferral period may not exceed sixty (60) days. At the end of the deferral period, if no release is provided by Purchaser, Seller reserves the right to render an invoice for and ship the completed portion of the order to the destination specified in Purchaser's order, or to store such material at Purchaser's expense at Seller's standard storage charges then in effect.

(b) For the portion of the order that is not completed, if no release is provided by Purchaser at the expiration of the deferral period, Seller reserves the right to render an invoice for any completed items at the contract price, and for any work-in-process items at the contract price less the cost to complete.

(c) Purchaser shall bear the risk of loss or damage to materials held at Purchaser's request.

13. LIMITATION OF LIABILITY. IN NO EVENT SHALL SELLER BE LIABLE UNDER ANY CIRCUMSTANCES: (a) FOR ANY INCIDENTAL, CONSEQUENTIAL OR SPECIAL DAMAGES (INCLUDING, WITHOUT LIMITATION, ANY LOST PROFITS OR LABOR COSTS) ARISING FROM OR RELATING TO THE PRODUCTS OR THEIR SALE, USE OR INSTALLATION; (b) FOR DAMAGES TO PROPERTY (OTHER THAN THE PRODUCTS PURCHASED FROM SELLER); (c) FROM ANY BREACH OF ITS WARRANTY OR ANY OTHER OBLIGATIONS TO BUYER; OR (d) FOR ANY OTHER CAUSE WHATSOEVER, WHETHER BASED ON WARRANTY (EXPRESSED OR IMPLIED) OR OTHERWISE BASED ON CONTRACT, OR ON TORT OR OTHER THEORY OF LIABILITY, AND REGARDLESS OF ANY ADVICE OR REPRESENTATIONS (WHETHER OR NOT IN WRITING) THAT MAY HAVE BEEN RENDERED BY SELLER CONCERNING THE DESIGN, MANUFACTURE, SALE, USE OR INSTALLATION OF THE PRODUCTS.

14. INFRINGEMENT. Seller at its expense will defend and hold Purchaser harmless from and against all damages, costs and expenses arising from any valid claim of infringement by a third party with respect to any patent or other intellectual property rights (collectively, the "Intellectual Property Rights") caused by Products originally manufactured by Seller, provided Purchaser (a) has not modified such Products, (b) gives Seller immediate notice in writing of any claim or commencement or threat of suit, and (c) permits Seller to defend or settle the same, and gives all immediate information, assistance and authority to enable Seller to do so. In the event any such originally manufactured Products are held to infringe an Intellectual Property Right and if Purchaser's use thereof is enjoined, Seller will, at its expense and option: (1) obtain for Purchaser the right to continue using the Products, (2) supply non-infringing Products, (3) modify the Products so that they become non-infringing, or (4) refund the then market value of such Products. In no event shall Seller's liability exceed the sale price of the infringing Products. THE FOREGOING REPRESENTS SELLER'S ENTIRE AND EXCLUSIVE OBLIGATION WITH RESPECT TO ANY CHARGE OF INFRINGEMENT OF ANY INTELLECTUAL PROPERTY RIGHT AND IS IN LIEU OF ANY STATUTORY WARRANTY RELATING TO INFRINGEMENT. Notwithstanding the foregoing, Seller shall have no liability as to any Products or parts thereof that are manufactured or modified by Purchaser or a third party, or that are manufactured or modified by Seller in accordance with Purchaser's specifications. Purchaser will defend and hold Seller harmless from and against all damages, costs and expenses whatsoever arising from any claim for infringement of any Intellectual Property Rights relating to Products that have been manufactured or modified by Seller according to specifications provided by Purchaser.

15. CERTAIN LAWS. Seller will comply with the applicable requirements of the Fair Labor Standards Act of 1938, as amended, Executive Order 11246, and THE rules, regulations and orders of the Secretary of Labor relating thereto.

16. PERIOD FOR ACCEPTING QUOTATIONS. Unless accepted without modification within thirty (30) days of issuance, or prior to withdrawal by Seller if earlier, all quotations automatically expire at the end of such thirty (30) day period.

17. PROVISIONS FOR INTERNATIONAL TRANSACTIONS. The following provisions shall apply if the Products are to be shipped to Purchaser at a location outside the United States, and apply regardless of other provisions set forth in these Terms and Conditions:

(a) The 1980 United Nations Convention on Contracts for the International Sale of Products shall not apply.

(b) Except as otherwise provided expressly stated in the agreement, terms of delivery are Ex-Works (within the meaning of INCOTERMS 2000) and all customs fees, import duties, cargo insurance, taxes and other charges imposed on or relating to the purchase or sale of the Products shall be paid by Purchaser in addition to the stated price.

(c) Except as otherwise provided expressly stated elsewhere in the agreement, payment shall be made by issuance to Seller of an irrevocable letter of credit which (i) is issued and confirmed by a U.S. bank acceptable to Seller, (ii) is governed by the Uniform Customs and Practice for Documentary Credits (UCP 600) and otherwise acceptable in form and substance to Seller, and (iii) provides for payment to Seller of the purchase price in U.S. dollars upon presentation by Seller of Seller's certification and/or such other documents as shall be required by the letter of credit. All banking and other charges for such letter of credit shall be for the account of Purchaser.

(d) Prices include Seller's standard commercial export packaging which may vary depending on whether shipment is made by air, land or sea. Except as otherwise provided expressly stated in the agreement, Purchaser will bear any additional expenses required to satisfy Purchaser's packaging requirements. Packages will be marked in accordance with Purchaser's instructions, if any. Seller shall furnish packing lists and such other information as may be necessary to enable Purchaser's agent to prepare documents required for export shipment.

(e) All shipments hereunder are subject to compliance with the U.S. Export Administration Act, as amended, regulations thereunder and all other U.S. laws and regulations concerning exports. Purchaser shall comply with all such laws and regulations concerning the use, disposition, re-export and sale of the Products provided hereunder.

18. GENERAL. No modification or waiver of the agreement or any of its provisions is valid unless expressly agreed to by Seller in writing, and no waiver by Seller of any default under the agreement is a waiver of any other or subsequent default. The unenforceability or invalidity of one or more of the provisions of the agreement will not affect the enforceability or validity of any other provision of the agreement. Purchaser may not assign any of its rights, duties or obligations under the agreement without Seller's prior written consent and any attempted assignment without such consent, even if by operation of law, will be void. The agreement is governed by and shall be construed in accordance with the laws of the State of Wisconsin, including the Uniform Commercial Code as enacted by such state, without giving effect to its conflict of laws principles.

Ampco Pumps Company, Inc.
2045 W. Mill Road
Glendale, WI 53209
(414) 643-1852
(414) 643-4452 fax

Ampco Pumps Company

Return Policy

This policy is intended for returns that are not covered by product warranty, i.e. wrong pump or part was ordered, customer canceled order, etc. Before returning any product, contact us for a Returned Material Authorization Number (RMA#). This will eliminate confusion when the parts are received and facilitate processing the return. No action will be taken on returned parts without an RMA.

<u>Type of Return</u>	<u>Restocking Charge</u>
Standard pump with a replacement order	10%
Standard pump without a replacement order	15%
Standard parts with a replacement order	5%
Standard parts without a replacement order	10%

Additional restocking charges may be assessed for any of the following circumstances.

1. Special order motors and seals are not returnable unless we have a use for them. Credit will be determined on a case-by-case basis.
2. Impellers that are trimmed to a diameter that we don't regularly use are not returnable. Credit will be determined on a case-by-case basis.
3. Used seals and motors are not returnable.

Credits

Credit will be issued only after parts are returned and inspected. Customer is responsible for packaging parts so they are returned in "as new" condition. Any labor required by Ampco to return the parts to "as new" condition will be deducted from the credit.