

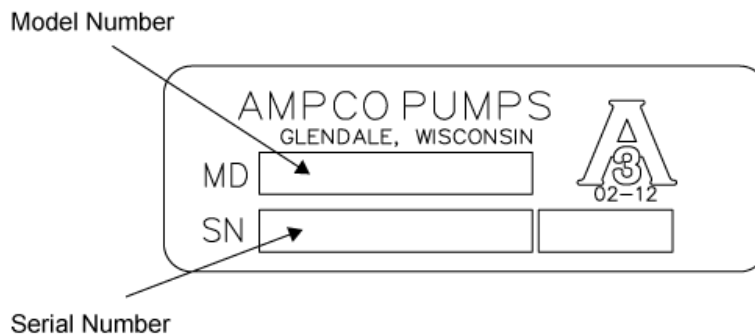
## ELECTRONIC CATALOG NAVIGATION INSTRUCTIONS

### Select by Pump Model:

If you know what pump you are looking for, you can use the 'Bookmarks' tab on the left and select the pump model which you are trying to access. Clicking in the Bookmark will take you to the page you are looking for.

If there are no tabs on the left (bookmarks, signatures, layers, pages), you can use the top menu to make them appear. Goto VIEW > SHOW/HIDE > NAVIGATION PANES > BOOKMARKS and they will appear.

**Sample Pump ID Tag:** See the illustration below for help identifying the location of the Model number and Serial number on the pump ID tag.



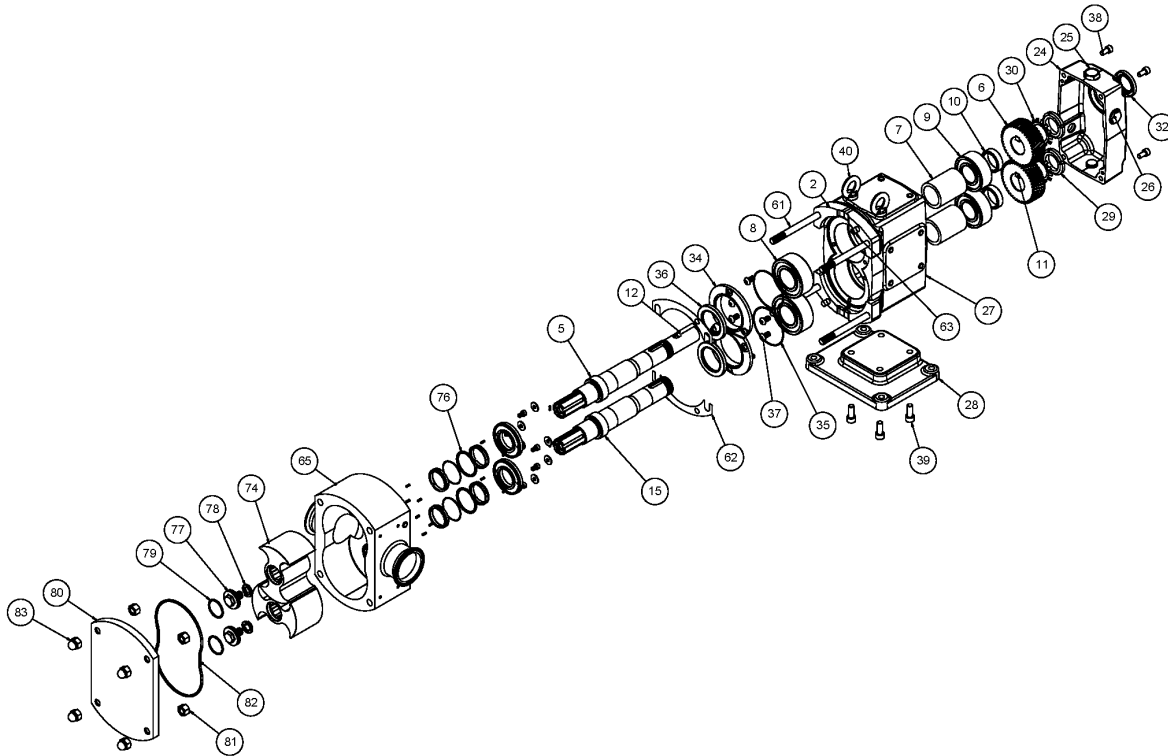
*Please reference your serial number when ordering replacement parts.*

### Select by Part Number:

If you know an exact part number you are looking for, simply hit CONTROL+F and that will bring up the find feature. You may also use the menu, goto EDIT > FIND to bring up the same feature.

Type in your part number and it will show you all instances of that item in the catalog. If you only know some of the part number (i.e. SP328), that will also help and show all occurrences of those numbers together.

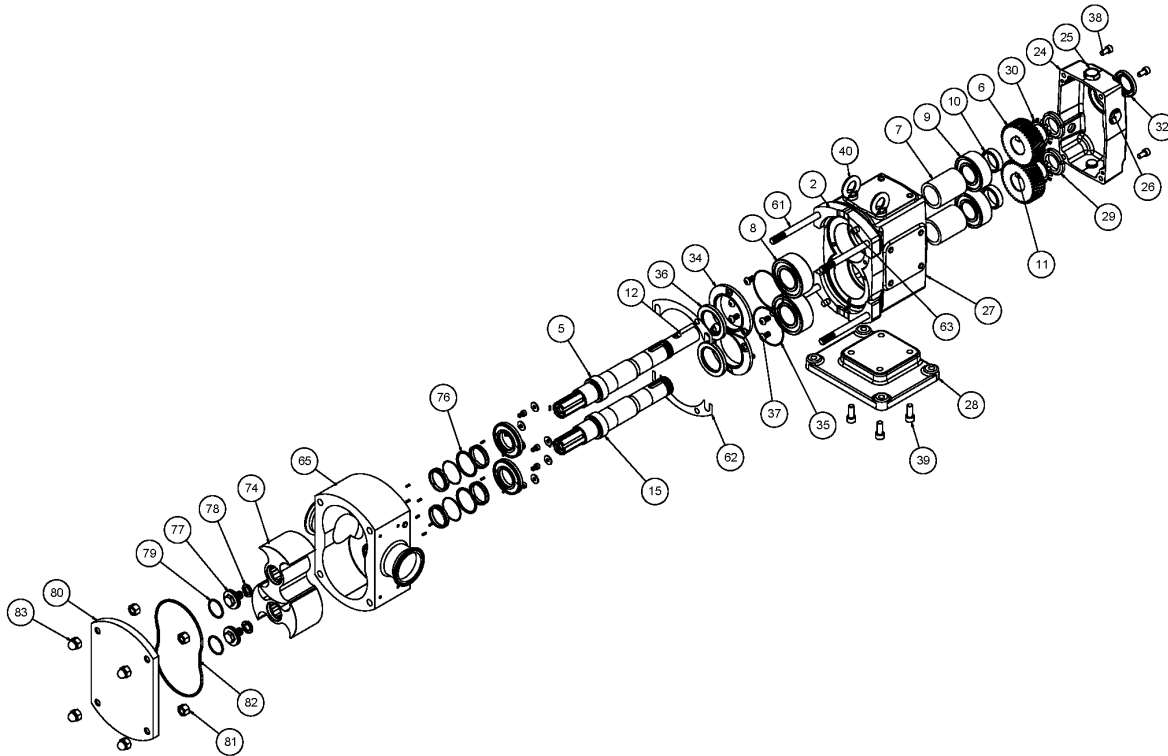
Be advised that partials of part number can return a large amount of results.



**Exploded View**

*Optional Items Shown in ITALICS*

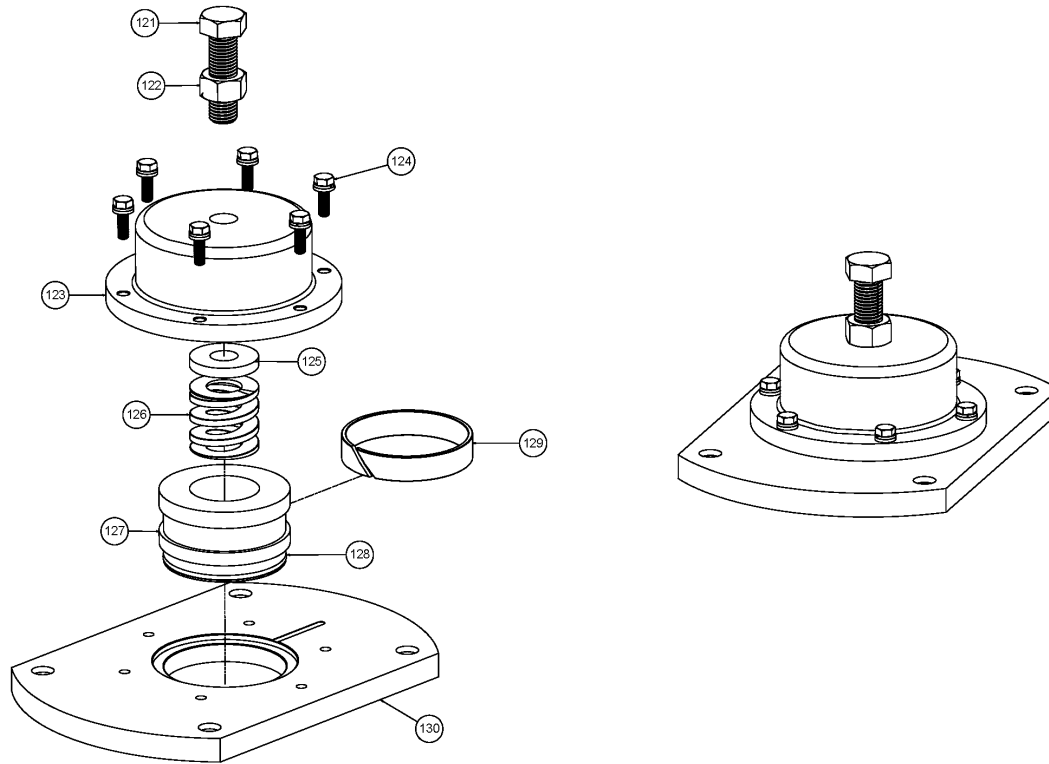
Ref #	Component Item No.	Description	Qty Per
2	AL10-GB03-SS	GEAR BOX - SS	1
5	AL10-SF01-SS	DRIVE SHAFT - AL05/10/15	1
6	AL10-HG01-CS	HELICAL GEAR - LEFT HAND	1
	AL10-HG02-CS	HELICAL GEAR - RIGHT HAND	1
7	AL10-BS01-CS	BEARING SPACER	2
8	AL10-BE01-CC	FRONT BEARING	2
9	AL10-BE02-CS	REAR BEARING	2
10	AL10-GS01-CS	GEAR SPACER	2
11	AL10-GK01-CS	GEAR KEY 8x7x17	2
12	AL10-SK02-CS	SHAFT KEY - 6x6x30	1
15	AL10-SF02-SS	SHORT SHAFT - AL05/10/15	1
24	AL10-GB04-SS	GEAR BOX COVER - SS	1
25	P1GX115798	HEX PLUG WITH NBR SEAL	2
26	P1GX115799	OIL LEVEL INDICATOR	2
27	AL10-PN05-SS	DOWEL FOR GEAR BOX	2
28	AL10-GB05-SS	GEAR BOX BASE - SS	1
29	AL10-LN01-CS	LOCK NUT	2
30	AL10-LW01-CS	LOCK WASHER	2
32	AL10-OS02-L3	REAR OIL SEAL - NBR	1
34	AL10-OS01-SS	OIL SEAL GLAND	2
35	N70035	O-RING FOR OIL SEAL GLAND - NBR	2
36	AL10-OS01-L3	FRONT OIL SEAL - NBR	2
37	AL10-BT01-SS	CAP SCREW FOR OIL SEAL GLAND	6
38	AL10-BT02-SS	CAP SCREW FOR GEAR BOX COVER	4
39	AL10-BT03-SS	CAP SCREW FOR GEAR BASE	4
40	AL10-BT04-SS	EYEBOLT	2
61	AL10-SB00-SS	CASE STUD BOLT - AL05/10	4



**Exploded View**

*Optional Items Shown in ITALICS*

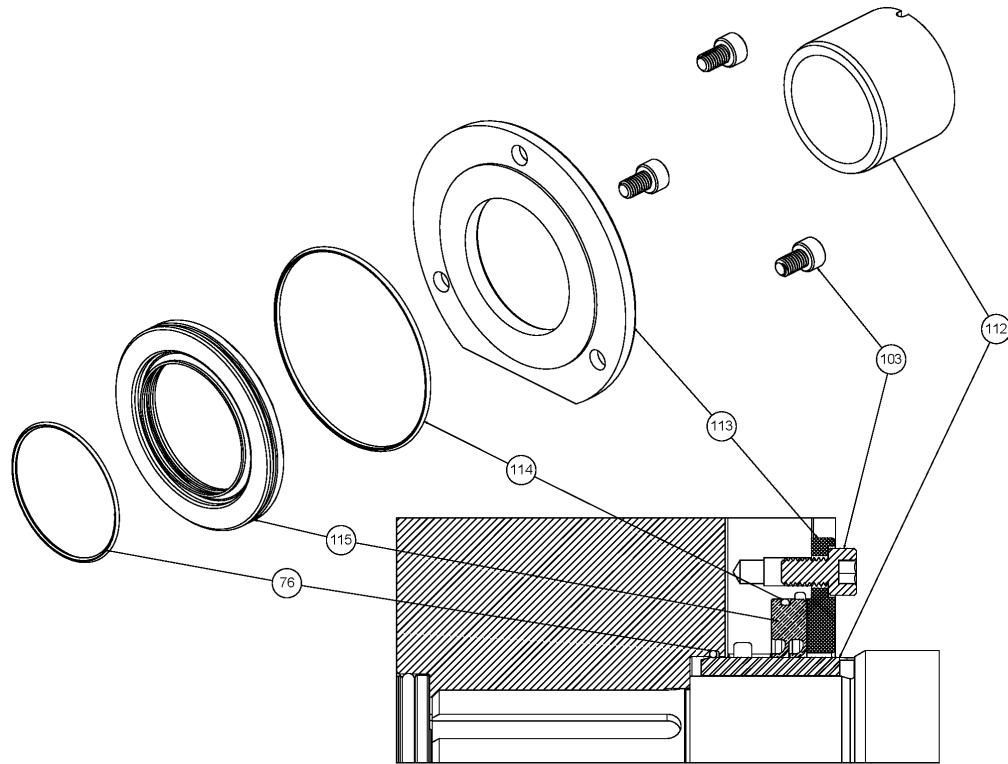
Ref #	Component Item No.	Description	Qty Per
62	AL10-SP01-SS-02	SHIM - 0.002" THICKNESS - AL100 SERIES	2
	AL10-SP01-SS-04	SHIM - 0.004" THICKNESS - AL100 SERIES	2
63	AL10-PN04-SS	DOWEL FOR CASE	2
65	AL10-RC02-SS	ROTOR CASE - AL05	1
74	AL10-RT01-SS-1	ROTOR MULTI-LOBE (TOP) - AL05	1
	<i>AL10-RT01-SS-2</i>	<i>ROTOR MULTI-LOBE (SIDE) - AL05</i>	<i>1</i>
76	E70028	O-RING FOR ROTOR - EPDM	2
	<i>V70028</i>	<i>O-RING FOR ROTOR - VITON</i>	<i>2</i>
77	AL10-RB02-SS	ROTOR BOLT - (SLOTTED)	2
78	AL10-SW01-SS	SPRING WASHER FOR ROTOR BOLT	2
79	E70021	O-RING FOR ROTOR BOLT - EPDM	2
	<i>V70021</i>	<i>O-RING FOR ROTOR BOLT - VITON</i>	<i>2</i>
80	AL10-FC00-SS	FRONT COVER - AL05	1
81	AL10-HN01-SS	HEX NUT/STUD BOLT LOCK	4
82	E70246	O-RING FOR FRONT COVER - AL05 - EPDM	1
	<i>V70246</i>	<i>O-RING FOR FRONT COVER - AL05 - VITON</i>	<i>1</i>
83	AL10-CN01-SS	CAP NUT	4



**Pressure Relief Cover**

*Optional Items Shown in ITALICS*

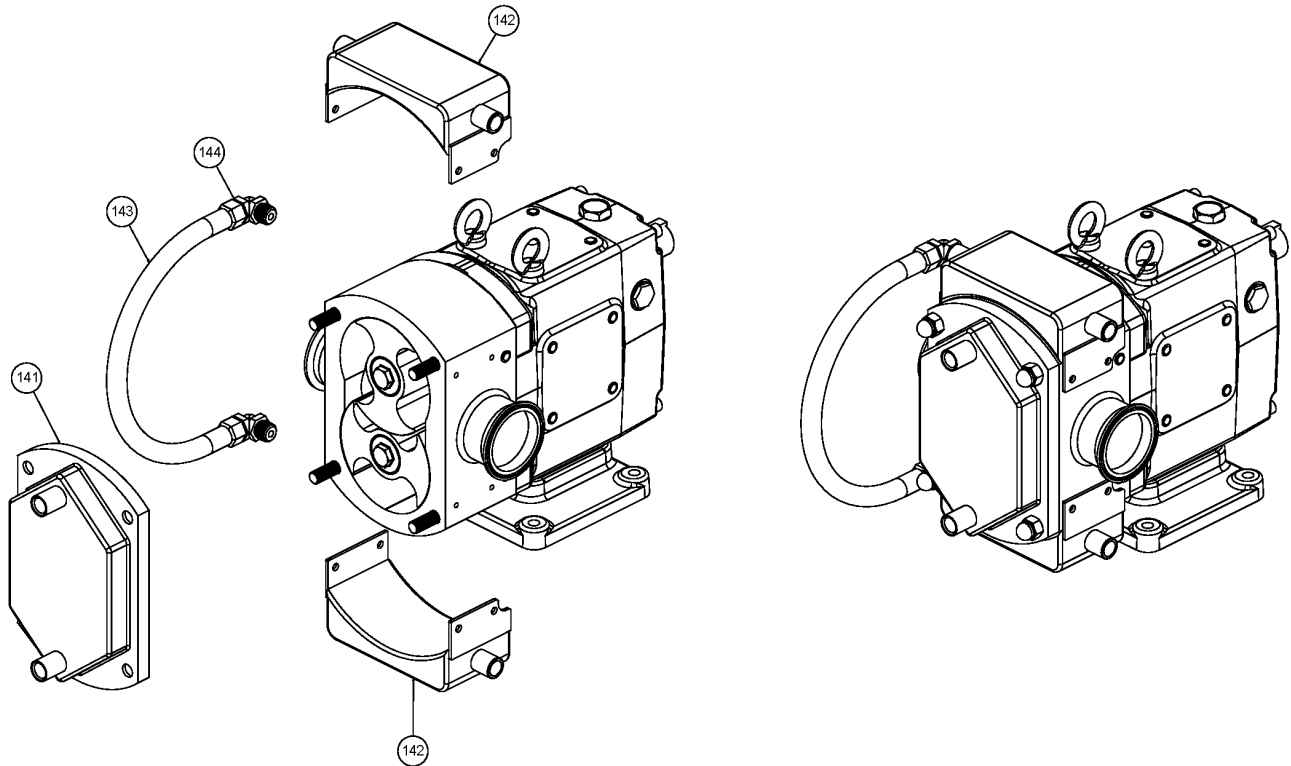
Ref #	Component Item No.	Description	Qty Per
121	GX5515150	ADJUSTING BOLT	1
122	GX5515000	LOCK NUT	1
123	AL10-RH01-SS	HOUSING FOR RELIEF VALVE	1
124	GX5512010	LOCK WASHER	4
	GX5512105	BOLT, HEX HEAD	4
125	AL10-RP02-SS	PISTON FOR ADJUSTING	1
126	AL10-RS03-CS	SPRING	1
127	AL10-RV02-SS	VALVE HEAD	1
128	E70136	O-RING - EPDM	1
	V70136	O-RING - VITON	1
129	E70115	O-RING - EPDM	1
	V70115	O-RING - VITON	1
130	AL10-FC09-SS	FRONT COVER FOR RELIEF VALVE - AL05	1



**Lip Seal**

*Optional Items Shown in ITALICS*

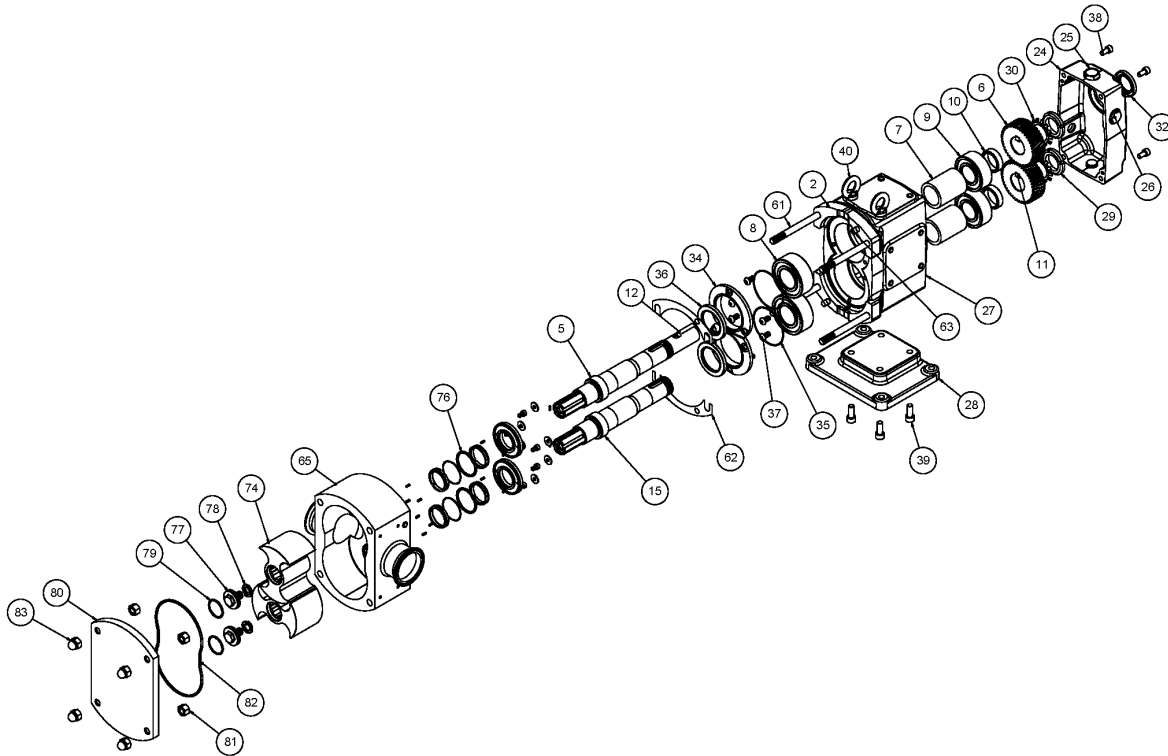
Ref #	Component Item No.	Description	Qty Per
76	<b>E70028</b>	<b>O-RING FOR ROTOR - EPDM</b>	<b>2</b>
	<i>V70028</i>	<i>O-RING FOR ROTOR - VITON</i>	<i>2</i>
103	<b>AL00-BT01-SS</b>	<b>CAP SCREW FOR SEAL RETAINER</b>	<b>4</b>
112	<b>AL10-SE08-SS</b>	<b>SLEEVE, CHROME OXIDE COATED</b>	<b>2</b>
	<i>AL10-SE09-SS</i>	<i>SLEEVE, STAINLESS STEEL</i>	<i>2</i>
	<i>AL10-SE10-SS</i>	<i>SLEEVE, CERAMIC</i>	<i>2</i>
113	<b>AL10-SE05-S3</b>	<b>SS GLAND FOR DOUBLE LIP SEAL FOR PRODUCT</b>	<b>2</b>
	<i>AL10-SE06-S3</i>	<i>SS GLAND FOR TRIPLE LIP SEAL FOR PRODUCT</i>	<i>2</i>
114	<i>V70139</i>	<i>O-RING, DOUBLE LIP SEAL - VITON</i>	<i>2</i>
115	<b>AL10-SE05-S2</b>	<b>DOUBLE LIP SEAL FOR PRODUCT - TEFLON</b>	<b>2</b>
	<i>AL10-SE06-S2</i>	<i>TRIPLE LIP SEAL FOR PRODUCT - TEFLON</i>	<i>2</i>



**Heating Jackets**

*Optional Items Shown in ITALICS*

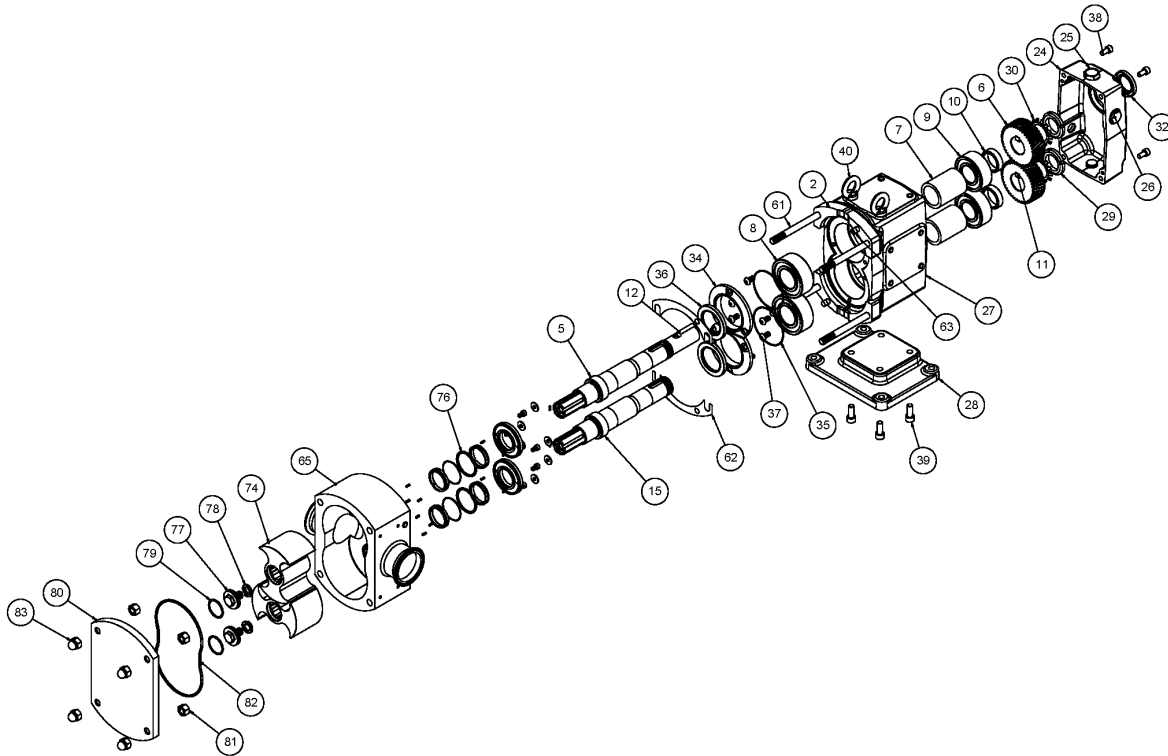
Ref #	Component Item No.	Description	Qty Per
141	AL10-FC08-SS	FRONT COVER WITH JACKET - AL05	1
142	AL10-HJ01-SS	CASE HEATING JACKET FOR BODY TOP - AL05/10/15	1
	AL10-HJ02-SS	CASE HEATING JACKET FOR BODY BOTTOM - AL05/10/15	1
143	AL10-HJ03-SS	CASE HEATING JACKET FOR TUBE ASS'Y - AL10	1
144	AL00-HJ01-SS	ELBOW,HEATING JCKT - AL	2



**Exploded View**

*Optional Items Shown in ITALICS*

Ref #	Component Item No.	Description	Qty Per
2	AL10-GB03-SS	GEAR BOX - SS	1
5	AL10-SF01-SS	DRIVE SHAFT - AL05/10/15	1
6	AL10-HG01-CS	HELICAL GEAR - LEFT HAND	1
	AL10-HG02-CS	HELICAL GEAR - RIGHT HAND	1
7	AL10-BS01-CS	BEARING SPACER	2
8	AL10-BE01-CC	FRONT BEARING	2
9	AL10-BE02-CS	REAR BEARING	2
10	AL10-GS01-CS	GEAR SPACER	2
11	AL10-GK01-CS	GEAR KEY 8x7x17	2
12	AL10-SK02-CS	SHAFT KEY - 6x6x30	1
15	AL10-SF02-SS	SHORT SHAFT - AL05/10/15	1
24	AL10-GB04-SS	GEAR BOX COVER - SS	1
25	P1GX115798	HEX PLUG WITH NBR SEAL	2
26	P1GX115799	OIL LEVEL INDICATOR	2
27	AL10-PN05-SS	DOWEL FOR GEAR BOX	2
28	AL10-GB05-SS	GEAR BOX BASE - SS	1
29	AL10-LN01-CS	LOCK NUT	2
30	AL10-LW01-CS	LOCK WASHER	2
32	AL10-OS02-L3	REAR OIL SEAL - NBR	1
34	AL10-OS01-SS	OIL SEAL GLAND	2
35	N70035	O-RING FOR OIL SEAL GLAND - NBR	2
36	AL10-OS01-L3	FRONT OIL SEAL - NBR	2
37	AL10-BT01-SS	CAP SCREW FOR OIL SEAL GLAND	6
38	AL10-BT02-SS	CAP SCREW FOR GEAR BOX COVER	4
39	AL10-BT03-SS	CAP SCREW FOR GEAR BASE	4
40	AL10-BT04-SS	EYEBOLT	2
61	AL10-SB00-SS	CASE STUD BOLT - AL05/10	4

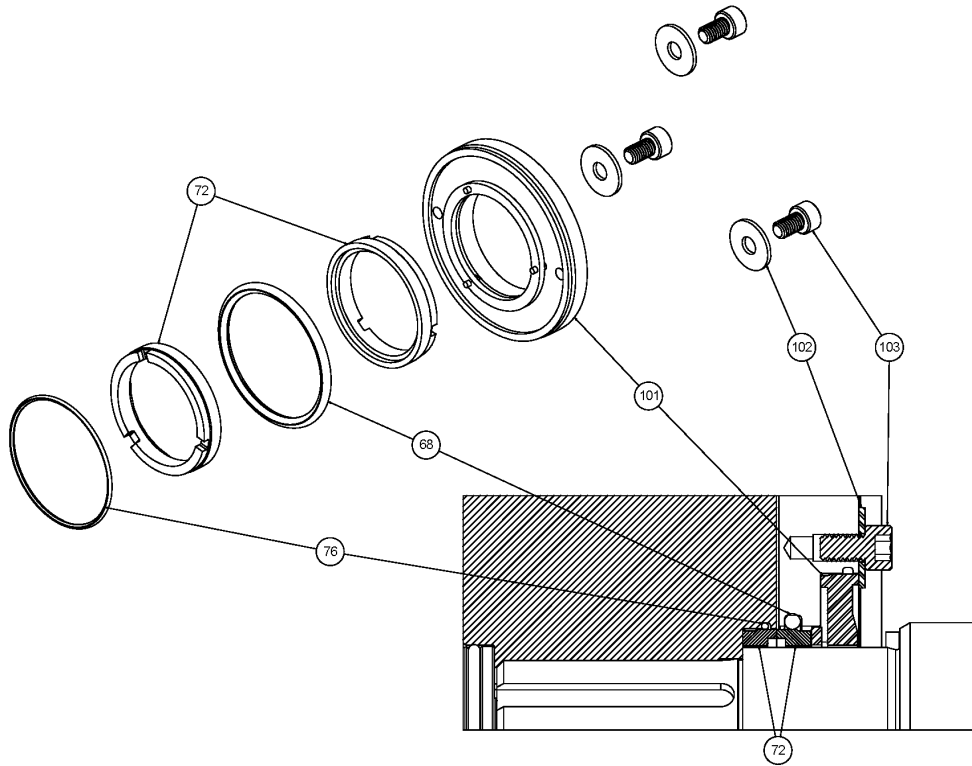


**Exploded View**

*Optional Items Shown in ITALICS*

Ref #	Component Item No.	Description	Qty Per
62	AL10-SP01-SS-02	SHIM - 0.002" THICKNESS - AL100 SERIES	2
	AL10-SP01-SS-04	SHIM - 0.004" THICKNESS - AL100 SERIES	2
63	AL10-PN04-SS	DOWEL FOR CASE	2
65	AL10-RC02-SS	ROTOR CASE - AL05	1
74	AL10-RT01-SS-1	ROTOR MULTI-LOBE (TOP) - AL05	1
	<i>AL10-RT01-SS-2</i>	<i>ROTOR MULTI-LOBE (SIDE) - AL05</i>	<i>1</i>
76	E70028	O-RING FOR ROTOR - EPDM	2
	<i>V70028</i>	<i>O-RING FOR ROTOR - VITON</i>	<i>2</i>
77	AL10-RB02-SS	ROTOR BOLT - (SLOTTED)	2
78	AL10-SW01-SS	SPRING WASHER FOR ROTOR BOLT	2
79	E70021	O-RING FOR ROTOR BOLT - EPDM	2
	<i>V70021</i>	<i>O-RING FOR ROTOR BOLT - VITON</i>	<i>2</i>
80	AL10-FC00-SS	FRONT COVER - AL05	1
81	AL10-HN01-SS	HEX NUT/STUD BOLT LOCK	4
82	E70246	O-RING FOR FRONT COVER - AL05 - EPDM	1
	<i>V70246</i>	<i>O-RING FOR FRONT COVER - AL05 - VITON</i>	<i>1</i>
83	AL10-CN01-SS	CAP NUT	4

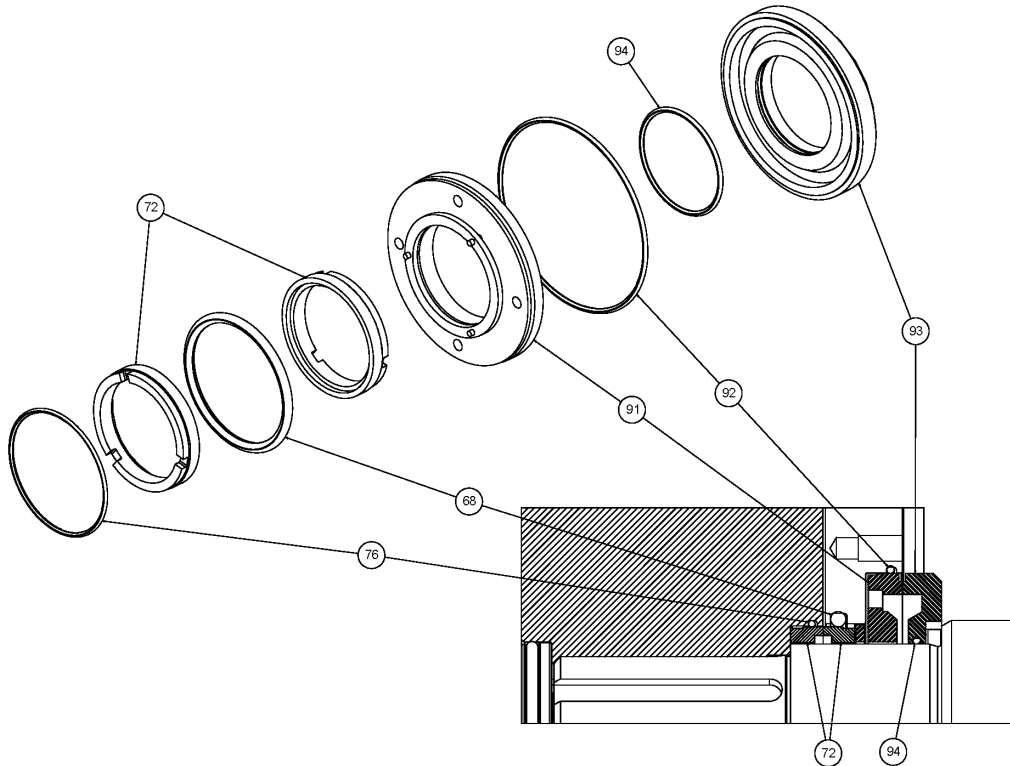




**Single Mechanical Seal**

*Optional Items Shown in ITALICS*

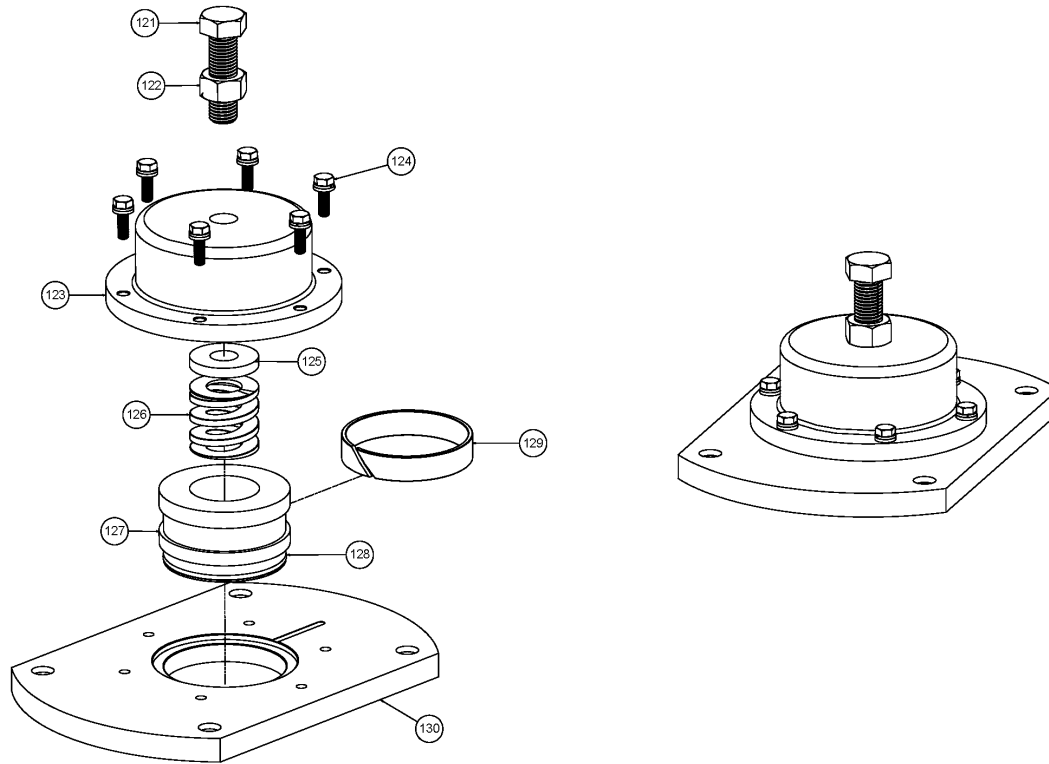
Ref #	Component Item No.	Description	Qty Per
68	<b>E70220</b>	<b>O-RING FOR ROTOR CASE - EPDM</b>	<b>2</b>
	<i>V70220</i>	<i>O-RING FOR ROTOR CASE - VITON</i>	<i>2</i>
72	<b>AL10-SE06-SS</b>	<b>SEAL/MECHANICAL SEAL RING - TC</b>	<b>4</b>
	<i>AL10-SE07-SS</i>	<i>SEAL/MECHANICAL SEAL RING - SC</i>	<i>4</i>
76	<b>E70028</b>	<b>O-RING FOR ROTOR - EPDM</b>	<b>2</b>
	<i>V70028</i>	<i>O-RING FOR ROTOR - VITON</i>	<i>2</i>
101	<b>AL10-SE01-S3</b>	<b>SEAL/SINGLE MECH SEAL BASE</b>	<b>2</b>
102	<b>AL00-WS01-SS</b>	<b>DIN M6 FENDER WASHER</b>	<b>4</b>
103	<b>AL00-BT01-SS</b>	<b>CAP SCREW FOR SEAL RETAINER</b>	<b>4</b>



**Double Mechanical Seal**

*Optional Items Shown in ITALICS*

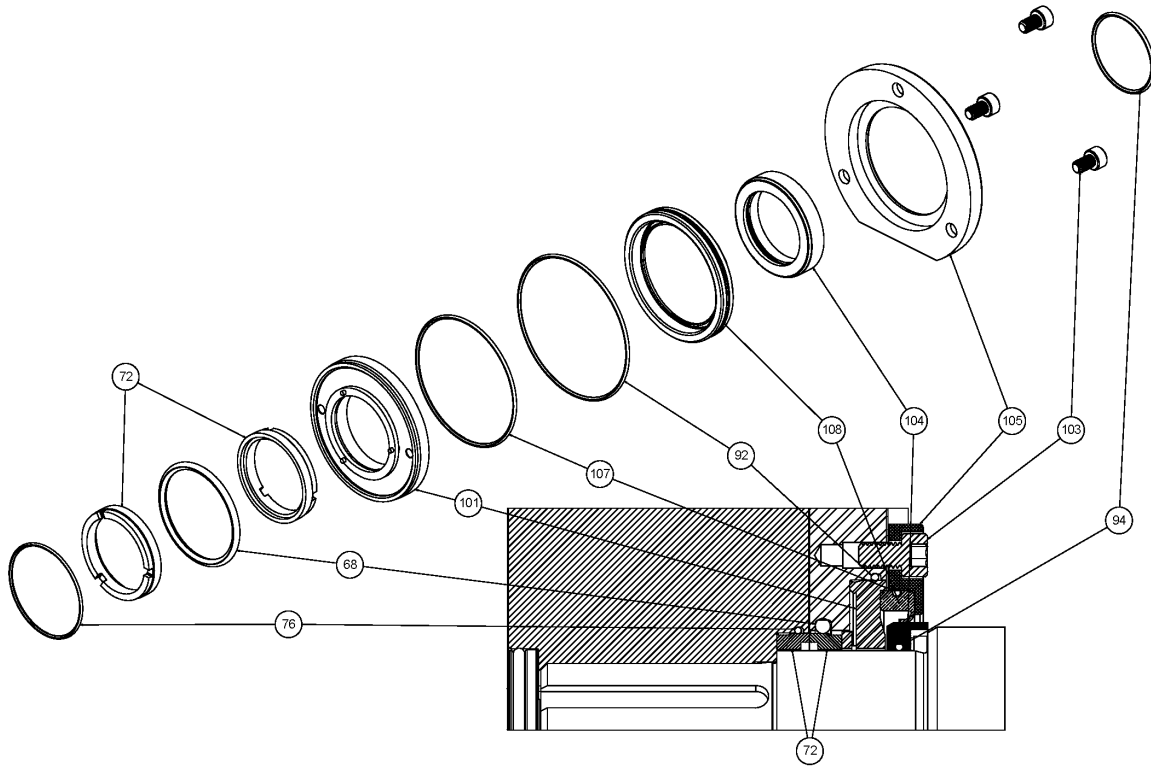
Ref #	Component Item No.	Description	Qty Per
68	<b>E70220</b>	<b>O-RING FOR ROTOR CASE - EPDM</b>	<b>2</b>
	<i>V70220</i>	<i>O-RING FOR ROTOR CASE - VITON</i>	<i>2</i>
72	<b>AL10-SE06-SS</b>	<b>SEAL/MECHANICAL SEAL RING - TC</b>	<b>4</b>
	<i>AL10-SE07-SS</i>	<i>SEAL/MECHANICAL SEAL RING - SC</i>	<i>4</i>
76	<b>E70028</b>	<b>O-RING FOR ROTOR - EPDM</b>	<b>2</b>
	<i>V70028</i>	<i>O-RING FOR ROTOR - VITON</i>	<i>2</i>
91	<b>AL10-SE01-S5</b>	<b>DOUBLE SEAL REAR BASE - SC</b>	<b>2</b>
	<i>AL10-SE01-S6</i>	<i>DOUBLE SEAL REAR BASE - TC</i>	<i>2</i>
92	<b>E70036</b>	<b>O-RING FOR DOUBLE SEAL CASE - EPDM</b>	<b>2</b>
	<i>V70036</i>	<i>O-RING FOR DOUBLE SEAL CASE - VITON</i>	<i>2</i>
93	<b>AL10-SE02-S2</b>	<b>SEAL/FLUSHED SEAL UNIT - SC</b>	<b>2</b>
	<i>AL10-SE02-S1</i>	<i>SEAL/FLUSHED SEAL UNIT - TC</i>	<i>2</i>
94	<b>E70023</b>	<b>O-RING FOR DOUBLE SEAL SHAFT - EPDM</b>	<b>2</b>
	<i>V70023</i>	<i>O-RING FOR DOUBLE SEAL SHAFT - VITON</i>	<i>2</i>



**Pressure Relief Cover**

*Optional Items Shown in ITALICS*

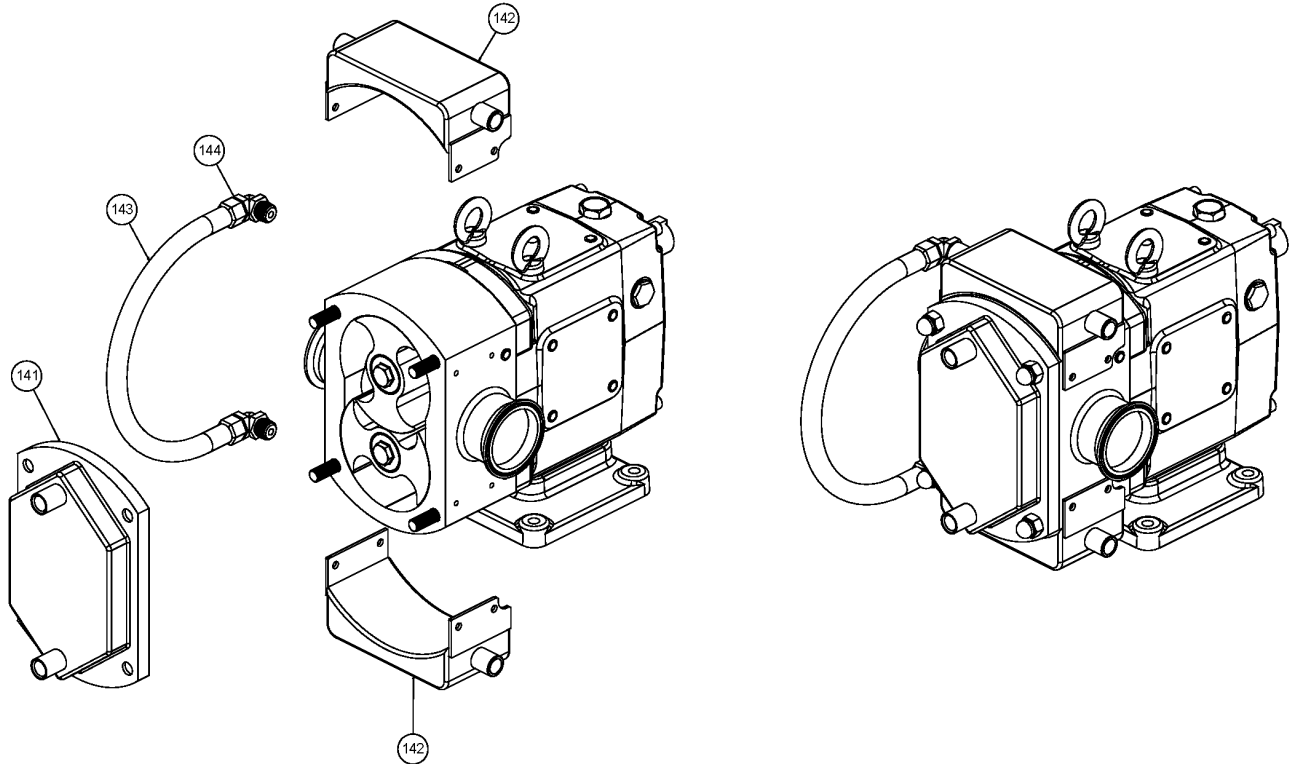
Ref #	Component Item No.	Description	Qty Per
121	GX5515150	ADJUSTING BOLT	1
122	GX5515000	LOCK NUT	1
123	AL10-RH01-SS	HOUSING FOR RELIEF VALVE	1
124	GX5512010	LOCK WASHER	4
	GX5512105	BOLT, HEX HEAD	4
125	AL10-RP02-SS	PISTON FOR ADJUSTING	1
126	AL10-RS03-CS	SPRING	1
127	AL10-RV02-SS	VALVE HEAD	1
128	E70136	O-RING - EPDM	1
	V70136	O-RING - VITON	1
129	E70115	O-RING - EPDM	1
	V70115	O-RING - VITON	1
130	AL10-FC09-SS	FRONT COVER FOR RELIEF VALVE - AL05	1



**Single Mechanical Seal with Flush**

*Optional Items Shown in ITALICS*

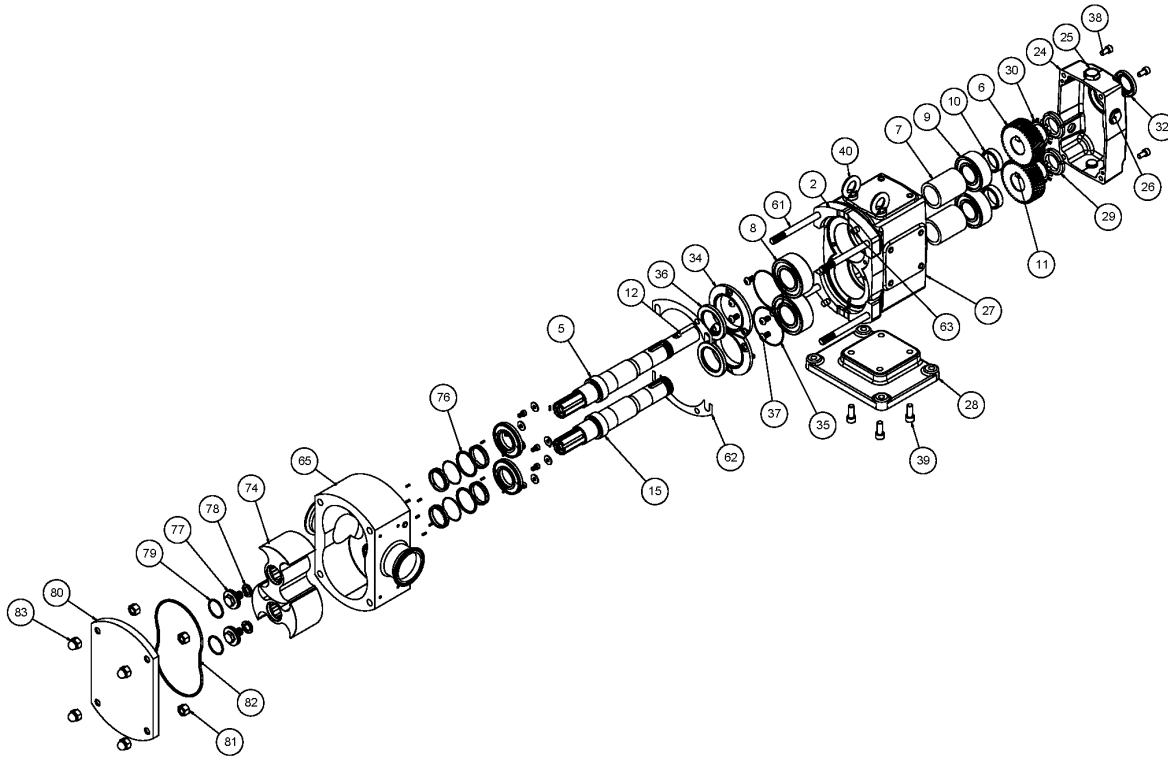
Ref #	Component Item No.	Description	Qty Per
68	<b>E70220</b>	<b>O-RING FOR ROTOR CASE - EPDM</b>	<b>2</b>
	<i>V70220</i>	<i>O-RING FOR ROTOR CASE - VITON</i>	<i>2</i>
72	<b>AL10-SE06-SS</b>	<b>SEAL/MECHANICAL SEAL RING - TC</b>	<b>4</b>
	<i>AL10-SE07-SS</i>	<i>SEAL/MECHANICAL SEAL RING - SC</i>	<i>4</i>
76	<b>E70028</b>	<b>O-RING FOR ROTOR - EPDM</b>	<b>2</b>
	<i>V70028</i>	<i>O-RING FOR ROTOR - VITON</i>	<i>2</i>
92	<b>E70036</b>	<b>O-RING FOR DOUBLE SEAL CASE - EPDM</b>	<b>2</b>
	<i>V70036</i>	<i>O-RING FOR DOUBLE SEAL CASE - VITON</i>	<i>2</i>
94	<b>E70023</b>	<b>O-RING FOR DOUBLE SEAL SHAFT - EPDM</b>	<b>2</b>
	<i>V70023</i>	<i>O-RING FOR DOUBLE SEAL SHAFT - VITON</i>	<i>2</i>
101	<b>AL10-SE01-S3</b>	<b>SEAL/SINGLE MECH SEAL BASE</b>	<b>2</b>
103	<b>AL00-BT01-SS</b>	<b>CAP SCREW FOR SEAL RETAINER</b>	<b>4</b>
104	<b>AL10-FL02-CE</b>	<b>CERMAIC SLEEVE FOR FLUSHING</b>	<b>2</b>
105	<b>AL10-FL03-SS</b>	<b>SS GLAND FOR FLUSHING</b>	<b>2</b>
107	<b>E70033</b>	<b>O-RING FOR FLUSHED LIP - EPDM</b>	<b>2</b>
	<i>V70033</i>	<i>O-RING FOR FLUSHED LIP - VITON</i>	<i>2</i>
108	<b>AL10-FL01-PF</b>	<b>PTFE - LIP SEAL FOR FLUSHING</b>	<b>2</b>



**Heating Jackets**

*Optional Items Shown in ITALICS*

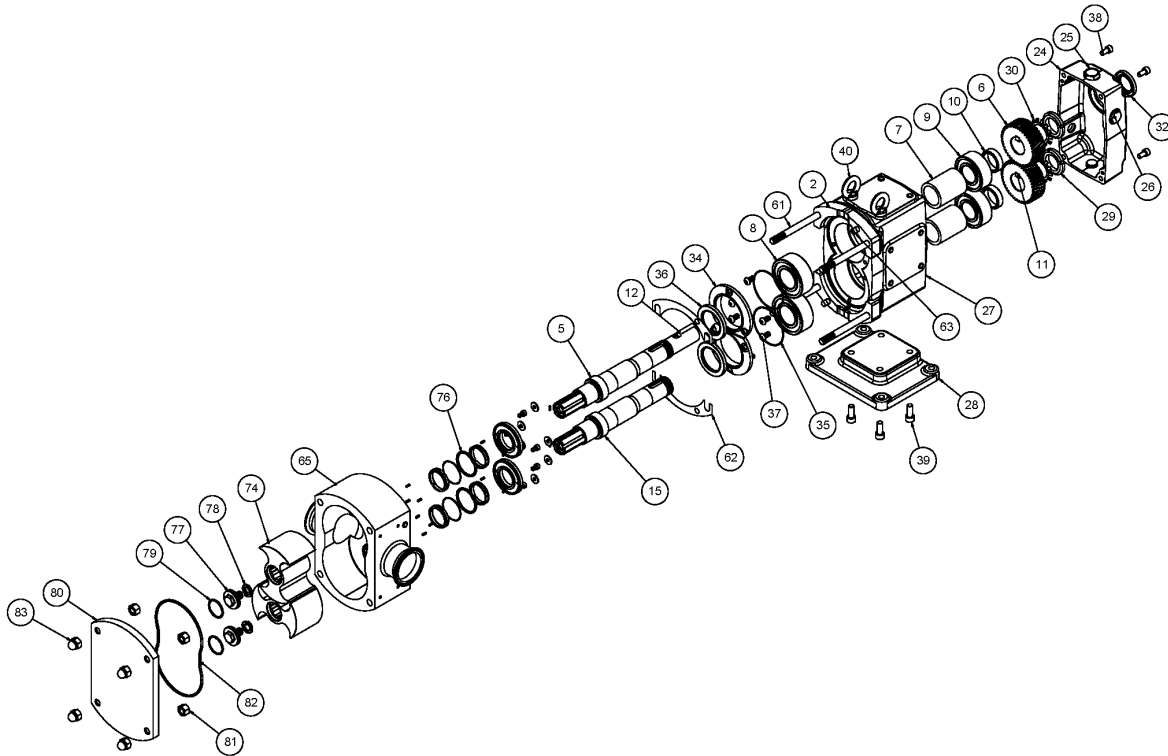
Ref #	Component Item No.	Description	Qty Per
141	AL10-FC08-SS	FRONT COVER WITH JACKET - AL05	1
142	AL10-HJ01-SS	CASE HEATING JACKET FOR BODY TOP - AL05/10/15	1
	AL10-HJ02-SS	CASE HEATING JACKET FOR BODY BOTTOM - AL05/10/15	1
143	AL10-HJ03-SS	CASE HEATING JACKET FOR TUBE ASS'Y - AL10	1
144	AL00-HJ01-SS	ELBOW,HEATING JCKT - AL	2



**Exploded View**

*Optional Items Shown in ITALICS*

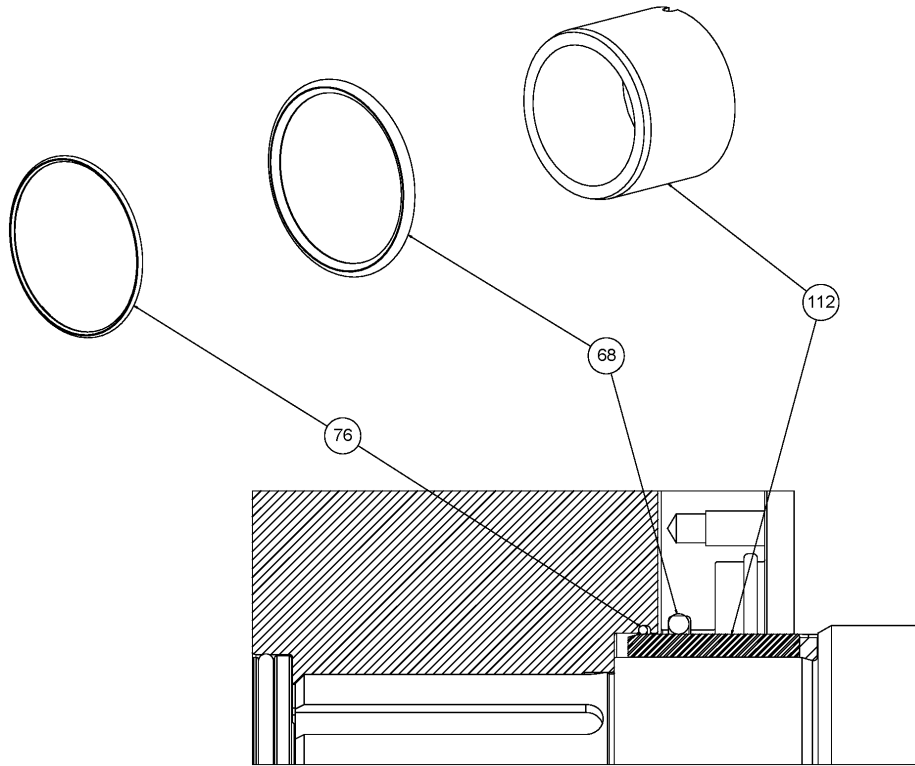
Ref #	Component Item No.	Description	Qty Per
2	AL10-GB03-SS	GEAR BOX - SS	1
5	AL10-SF01-SS	DRIVE SHAFT - AL05/10/15	1
6	AL10-HG01-CS	HELICAL GEAR - LEFT HAND	1
	AL10-HG02-CS	HELICAL GEAR - RIGHT HAND	1
7	AL10-BS01-CS	BEARING SPACER	2
8	AL10-BE01-CC	FRONT BEARING	2
9	AL10-BE02-CS	REAR BEARING	2
10	AL10-GS01-CS	GEAR SPACER	2
11	AL10-GK01-CS	GEAR KEY 8x7x17	2
12	AL10-SK02-CS	SHAFT KEY - 6x6x30	1
15	AL10-SF02-SS	SHORT SHAFT - AL05/10/15	1
24	AL10-GB04-SS	GEAR BOX COVER - SS	1
25	P1GX115798	HEX PLUG WITH NBR SEAL	2
26	P1GX115799	OIL LEVEL INDICATOR	2
27	AL10-PN05-SS	DOWEL FOR GEAR BOX	2
28	AL10-GB05-SS	GEAR BOX BASE - SS	1
29	AL10-LN01-CS	LOCK NUT	2
30	AL10-LW01-CS	LOCK WASHER	2
32	AL10-OS02-L3	REAR OIL SEAL - NBR	1
34	AL10-OS01-SS	OIL SEAL GLAND	2
35	N70035	O-RING FOR OIL SEAL GLAND - NBR	2
36	AL10-OS01-L3	FRONT OIL SEAL - NBR	2
37	AL10-BT01-SS	CAP SCREW FOR OIL SEAL GLAND	6
38	AL10-BT02-SS	CAP SCREW FOR GEAR BOX COVER	4
39	AL10-BT03-SS	CAP SCREW FOR GEAR BASE	4
40	AL10-BT04-SS	EYEBOLT	2
61	AL10-SB00-SS	CASE STUD BOLT - AL05/10	4



**Exploded View**

*Optional Items Shown in ITALICS*

Ref #	Component Item No.	Description	Qty Per
62	AL10-SP01-SS-02	SHIM - 0.002" THICKNESS - AL100 SERIES	2
	AL10-SP01-SS-04	SHIM - 0.004" THICKNESS - AL100 SERIES	2
63	AL10-PN04-SS	DOWEL FOR CASE	2
65	AL10-RC02-SS	ROTOR CASE - AL05	1
74	AL10-RT01-SS-1	ROTOR MULTI-LOBE (TOP) - AL05	1
	<i>AL10-RT01-SS-2</i>	<i>ROTOR MULTI-LOBE (SIDE) - AL05</i>	<i>1</i>
76	E70028	O-RING FOR ROTOR - EPDM	2
	<i>V70028</i>	<i>O-RING FOR ROTOR - VITON</i>	<i>2</i>
77	AL10-RB02-SS	ROTOR BOLT - (SLOTTED)	2
78	AL10-SW01-SS	SPRING WASHER FOR ROTOR BOLT	2
79	E70021	O-RING FOR ROTOR BOLT - EPDM	2
	<i>V70021</i>	<i>O-RING FOR ROTOR BOLT - VITON</i>	<i>2</i>
80	AL10-FC00-SS	FRONT COVER - AL05	1
81	AL10-HN01-SS	HEX NUT/STUD BOLT LOCK	4
82	E70246	O-RING FOR FRONT COVER - AL05 - EPDM	1
	<i>V70246</i>	<i>O-RING FOR FRONT COVER - AL05 - VITON</i>	<i>1</i>
83	AL10-CN01-SS	CAP NUT	4

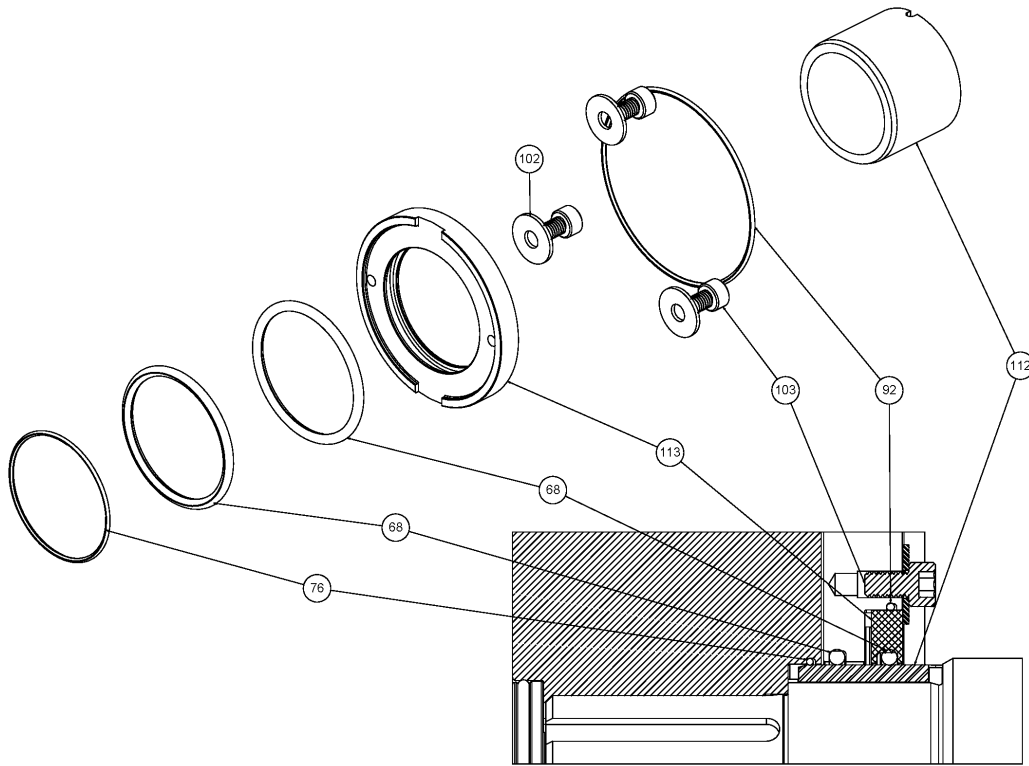


**Single O-Ring Seal**

*Optional Items Shown in ITALICS*

Ref #	Component Item No.	Description	Qty Per
68	<b>E70220</b>	<b>O-RING FOR ROTOR CASE - EPDM</b>	<b>2</b>
	<i>V70220</i>	<i>O-RING FOR ROTOR CASE - VITON</i>	<i>2</i>
76	<b>E70028</b>	<b>O-RING FOR ROTOR - EPDM</b>	<b>2</b>
	<i>V70028</i>	<i>O-RING FOR ROTOR - VITON</i>	<i>2</i>
112	<b>AL10-SE08-SS</b>	<b>SLEEVE, CHROME OXIDE COATED</b>	<b>2</b>
	<i>AL10-SE09-SS</i>	<i>SLEEVE, STAINLESS STEEL</i>	<i>2</i>
	<i>AL10-SE10-SS</i>	<i>SLEEVE, CERAMIC</i>	<i>2</i>

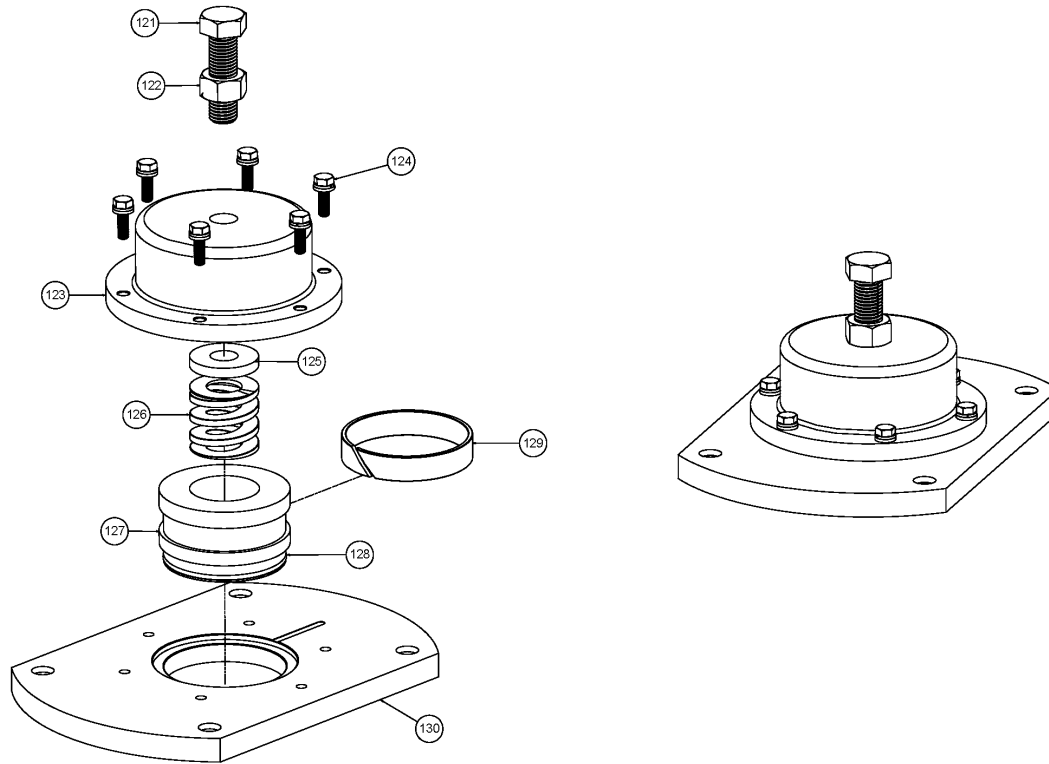




**Double O-Ring Seal**

*Optional Items Shown in ITALICS*

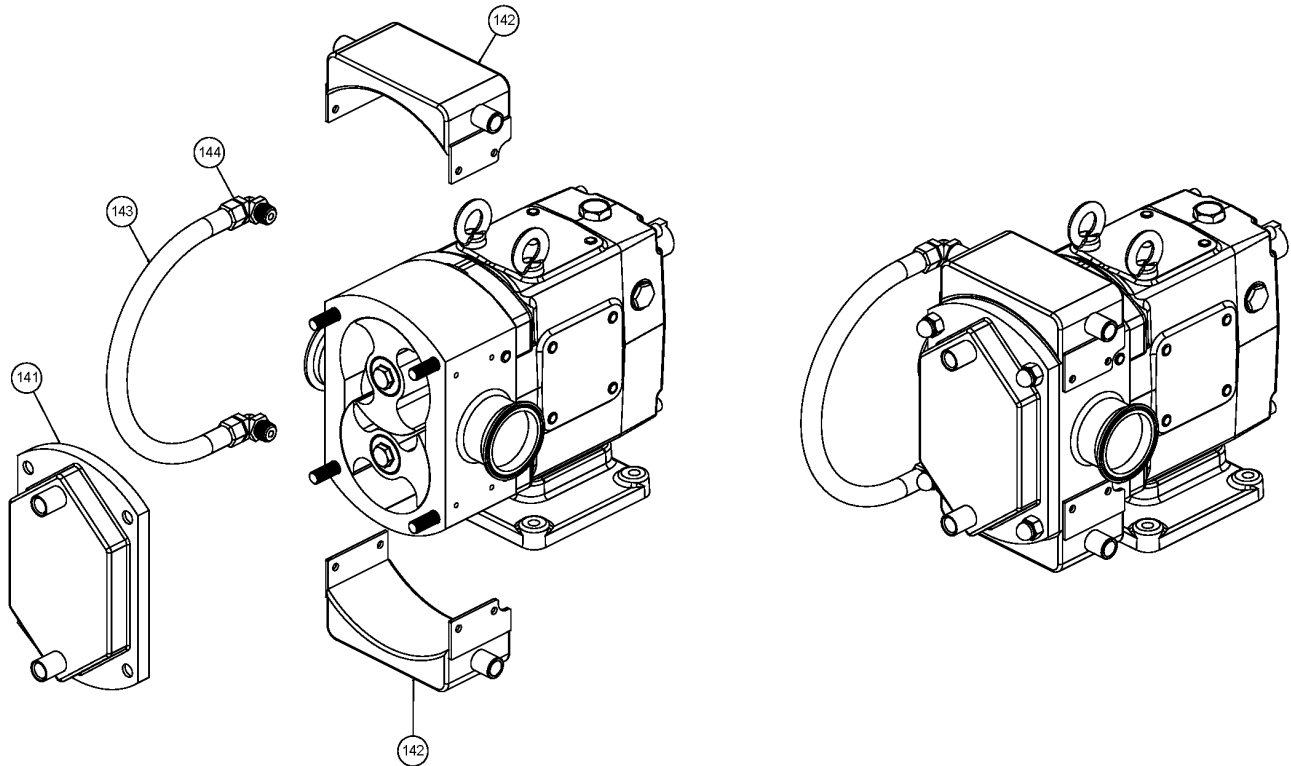
Ref #	Component Item No.	Description	Qty Per
68	<b>E70220</b>	<b>O-RING FOR ROTOR CASE - EPDM</b>	<b>4</b>
	<i>V70220</i>	<i>O-RING FOR ROTOR CASE - VITON</i>	<i>4</i>
76	<b>E70028</b>	<b>O-RING FOR ROTOR - EPDM</b>	<b>2</b>
	<i>V70028</i>	<i>O-RING FOR ROTOR - VITON</i>	<i>2</i>
92	<b>E70036</b>	<b>O-RING FOR DOUBLE SEAL CASE - EPDM</b>	<b>2</b>
	<b>V70036</b>	<b>O-RING FOR DOUBLE SEAL CASE - VITON</b>	<b>2</b>
102	<b>AL00-WS01-SS</b>	<b>DIN M6 FENDER WASHER</b>	<b>4</b>
103	<b>AL00-BT01-SS</b>	<b>CAP SCREW FOR SEAL RETAINER</b>	<b>4</b>
112	<b>AL10-SE08-SS</b>	<b>SLEEVE, CHROME OXIDE COATED</b>	<b>2</b>
	<i>AL10-SE09-SS</i>	<i>SLEEVE, STAINLESS STEEL</i>	<i>2</i>
	<i>AL10-SE10-SS</i>	<i>SLEEVE, CERAMIC</i>	<i>2</i>
113	<b>AL10-OS02-SS</b>	<b>SS GLAND FOR DOUBLE O-RING</b>	<b>2</b>



**Pressure Relief Cover**

*Optional Items Shown in ITALICS*

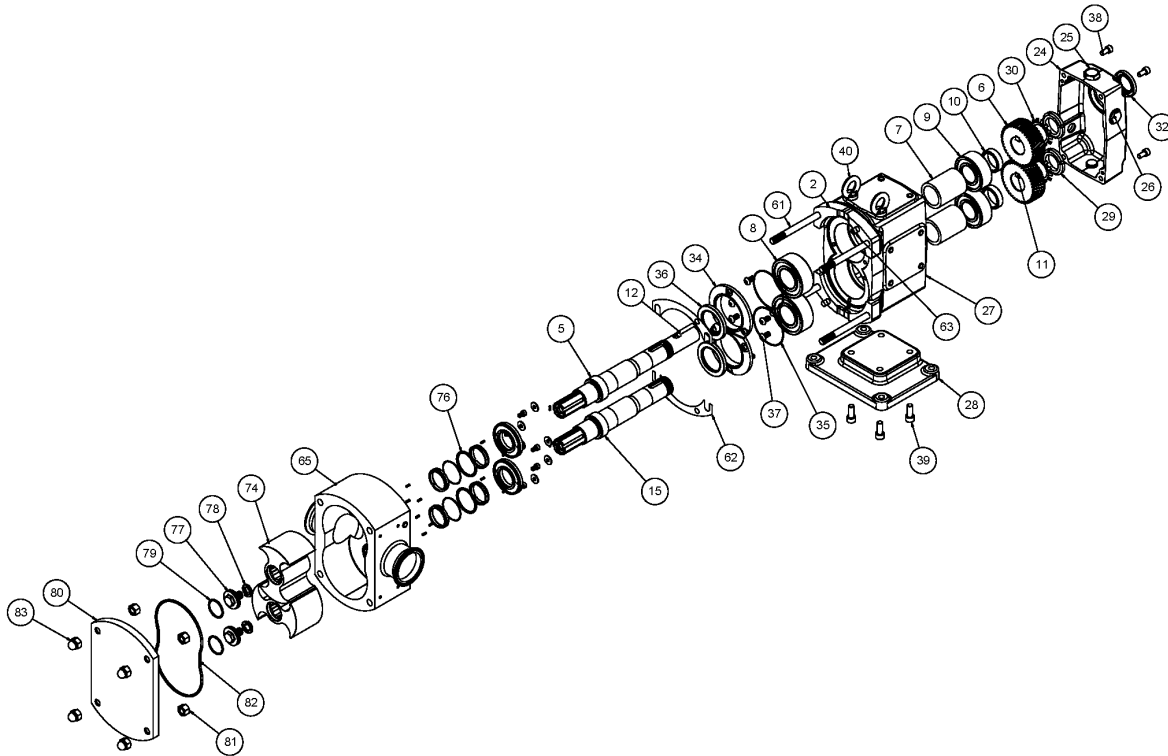
Ref #	Component Item No.	Description	Qty Per
121	GX5515150	ADJUSTING BOLT	1
122	GX5515000	LOCK NUT	1
123	AL10-RH01-SS	HOUSING FOR RELIEF VALVE	1
124	GX5512010	LOCK WASHER	4
	GX5512105	BOLT, HEX HEAD	4
125	AL10-RP02-SS	PISTON FOR ADJUSTING	1
126	AL10-RS03-CS	SPRING	1
127	AL10-RV02-SS	VALVE HEAD	1
128	E70136	O-RING - EPDM	1
	V70136	O-RING - VITON	1
129	E70115	O-RING - EPDM	1
	V70115	O-RING - VITON	1
130	AL10-FC09-SS	FRONT COVER FOR RELIEF VALVE - AL05	1



**Heating Jackets**

*Optional Items Shown in ITALICS*

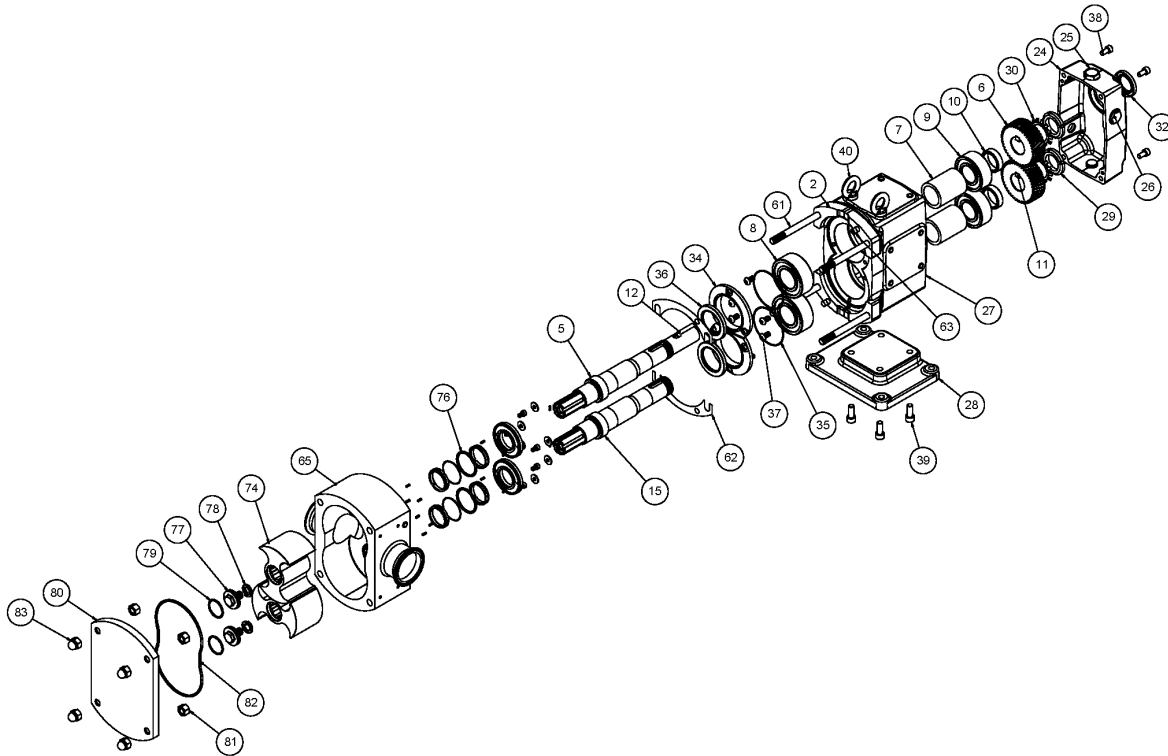
Ref #	Component Item No.	Description	Qty Per
141	AL10-FC08-SS	FRONT COVER WITH JACKET - AL05	1
142	AL10-HJ01-SS	CASE HEATING JACKET FOR BODY TOP - AL05/10/15	1
	AL10-HJ02-SS	CASE HEATING JACKET FOR BODY BOTTOM - AL05/10/15	1
143	AL10-HJ03-SS	CASE HEATING JACKET FOR TUBE ASS'Y - AL10	1
144	AL00-HJ01-SS	ELBOW,HEATING JCKT - AL	2



**Exploded View**

*Optional Items Shown in ITALICS*

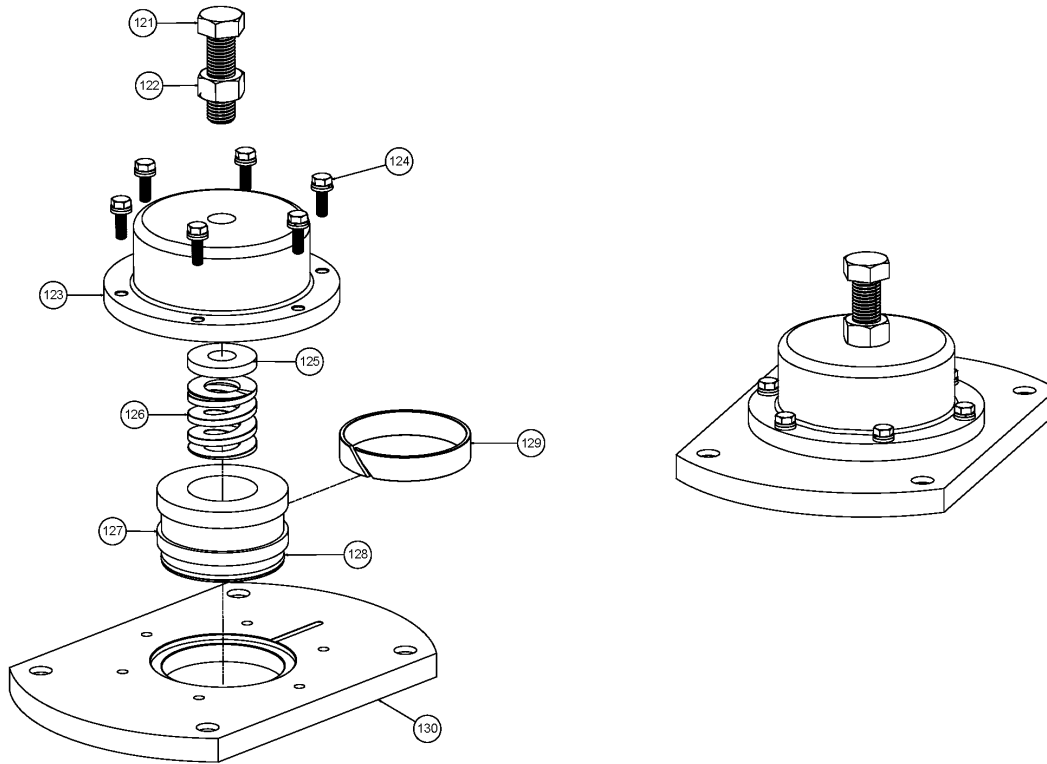
Ref #	Component Item No.	Description	Qty Per
2	AL10-GB03-SS	GEAR BOX - SS	1
5	AL10-SF01-SS	DRIVE SHAFT - AL05/10/15	1
6	AL10-HG01-CS	HELICAL GEAR - LEFT HAND	1
	AL10-HG02-CS	HELICAL GEAR - RIGHT HAND	1
7	AL10-BS01-CS	BEARING SPACER	2
8	AL10-BE01-CC	FRONT BEARING	2
9	AL10-BE02-CS	REAR BEARING	2
10	AL10-GS01-CS	GEAR SPACER	2
11	AL10-GK01-CS	GEAR KEY 8x7x17	2
12	AL10-SK02-CS	SHAFT KEY - 6x6x30	1
15	AL10-SF02-SS	SHORT SHAFT - AL05/10/15	1
24	AL10-GB04-SS	GEAR BOX COVER - SS	1
25	P1GX115798	HEX PLUG WITH NBR SEAL	2
26	P1GX115799	OIL LEVEL INDICATOR	2
27	AL10-PN05-SS	DOWEL FOR GEAR BOX	2
28	AL10-GB05-SS	GEAR BOX BASE - SS	1
29	AL10-LN01-CS	LOCK NUT	2
30	AL10-LW01-CS	LOCK WASHER	2
32	AL10-OS02-L3	REAR OIL SEAL - NBR	1
34	AL10-OS01-SS	OIL SEAL GLAND	2
35	N70035	O-RING FOR OIL SEAL GLAND - NBR	2
36	AL10-OS01-L3	FRONT OIL SEAL - NBR	2
37	AL10-BT01-SS	CAP SCREW FOR OIL SEAL GLAND	6
38	AL10-BT02-SS	CAP SCREW FOR GEAR BOX COVER	4
39	AL10-BT03-SS	CAP SCREW FOR GEAR BASE	4
40	AL10-BT04-SS	EYEBOLT	2
61	AL10-SB00-SS	CASE STUD BOLT - AL05/10	4



**Exploded View**

*Optional Items Shown in ITALICS*

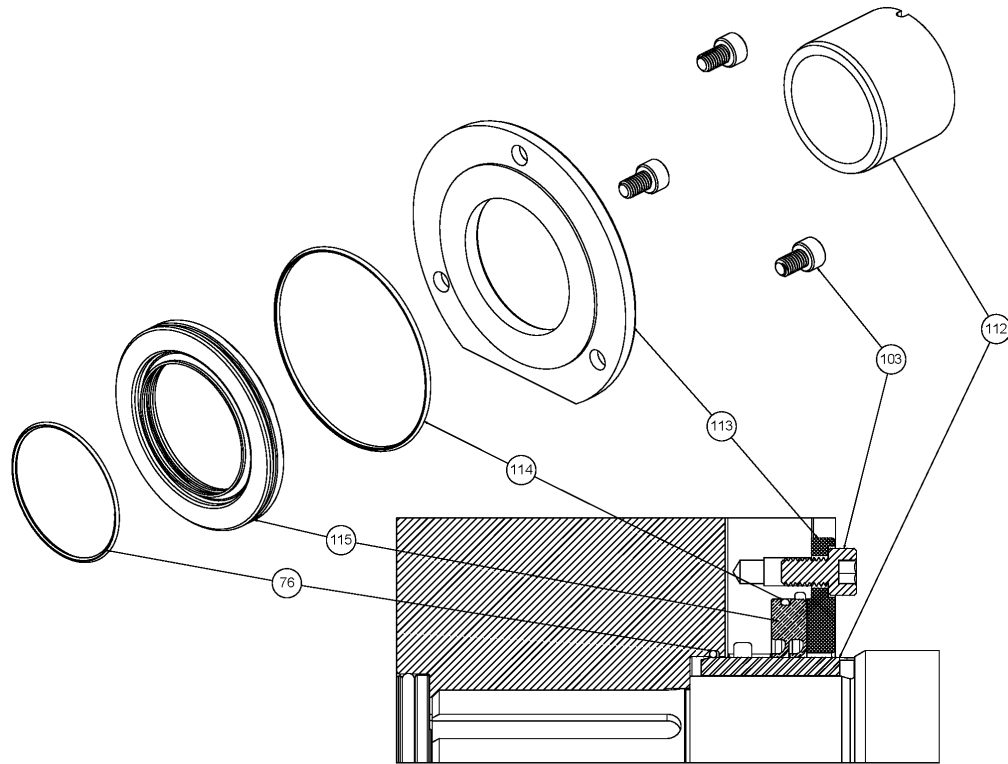
Ref #	Component Item No.	Description	Qty Per
62	AL10-SP01-SS-02	SHIM - 0.002" THICKNESS - AL100 SERIES	2
	AL10-SP01-SS-04	SHIM - 0.004" THICKNESS - AL100 SERIES	2
63	AL10-PN04-SS	DOWEL FOR CASE	2
65	AL10-RC07-SS	ROTOR CASE - AL10	1
74	AL10-RT02-SS-1	ROTOR BI-WING (TOP) - AL10	1
	AL10-RT02-SS-2	ROTOR BI-WING (SIDE) - AL10	1
	<i>AL10-RT05-SS-1</i>	<i>ROTOR MULTI-LOBE (TOP) - AL10</i>	<i>1</i>
	<i>AL10-RT05-SS-2</i>	<i>ROTOR MULTI-LOBE (SIDE) - AL10</i>	<i>1</i>
76	E70028	O-RING FOR ROTOR - EPDM	2
	<i>V70028</i>	<i>O-RING FOR ROTOR - VITON</i>	<i>2</i>
77	AL10-RB02-SS	ROTOR BOLT - (SLOTTED)	2
78	AL10-SW01-SS	SPRING WASHER FOR ROTOR BOLT	2
79	E70021	O-RING FOR ROTOR BOLT - EPDM	2
	<i>V70021</i>	<i>O-RING FOR ROTOR BOLT - VITON</i>	<i>2</i>
80	AL10-FC01-SS	FRONT COVER - AL10	1
81	AL10-HN01-SS	HEX NUT/STUD BOLT LOCK	4
82	E70248	O-RING FOR FRONT COVER - AL10 - EPDM	1
	<i>V70248</i>	<i>O-RING FOR FRONT COVER - AL10 - VITON</i>	<i>1</i>
	<i>TE70248</i>	<i>O-RING FOR FRONT COVER - AL10 - TEFLON ENCAP</i>	<i>1</i>
83	AL10-CN01-SS	CAP NUT	4



**Pressure Relief Cover**

*Optional Items Shown in ITALICS*

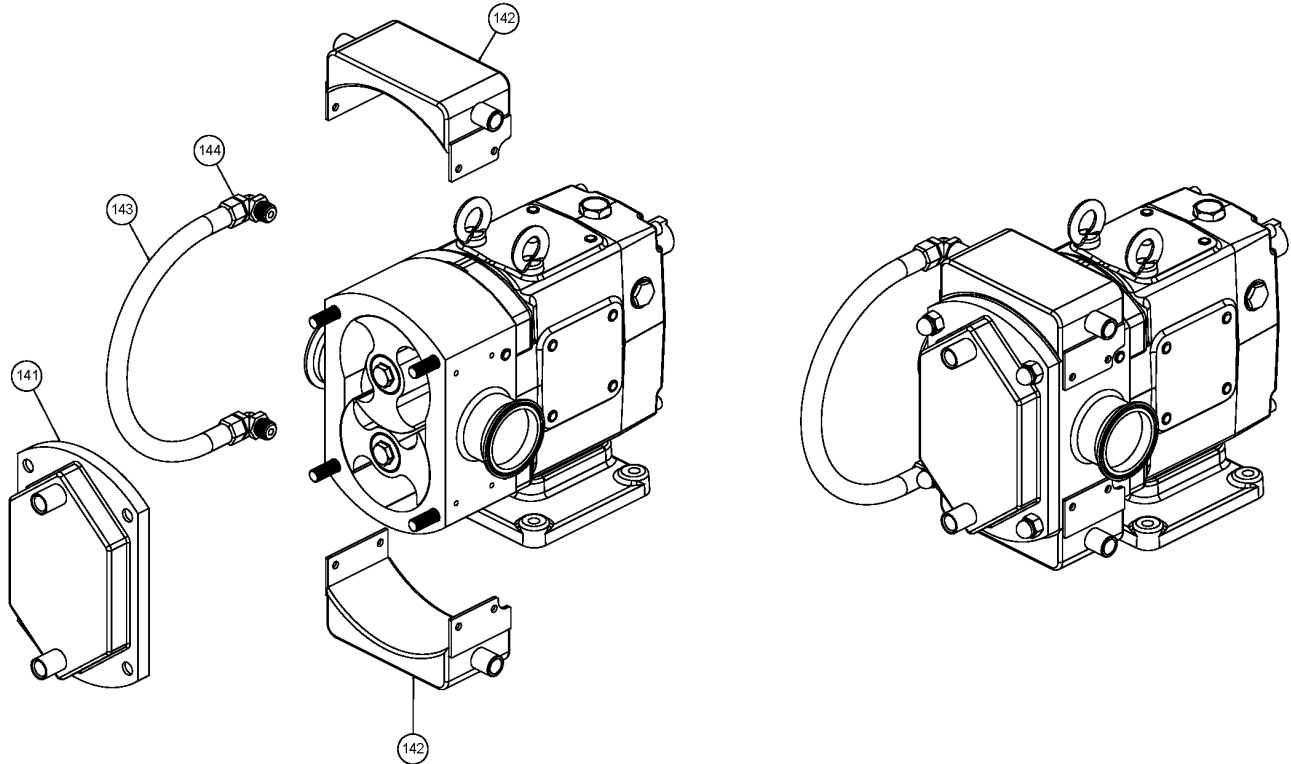
Ref #	Component Item No.	Description	Qty Per
121	GX5515150	ADJUSTING BOLT	1
122	GX5515000	LOCK NUT	1
123	AL10-RH01-SS	HOUSING FOR RELIEF VALVE	1
124	GX5512010	LOCK WASHER	4
	GX5512105	BOLT, HEX HEAD	4
125	AL10-RP02-SS	PISTON FOR ADJUSTING	1
126	AL10-RS03-CS	SPRING	1
127	AL10-RV02-SS	VALVE HEAD	1
128	E70136	O-RING - EPDM	1
	V70136	O-RING - VITON	1
129	E70115	O-RING - EPDM	1
	V70115	O-RING - VITON	1
130	AL10-FC03-SS	FRONT COVER FOR RELIEF VALVE - AL10	1



**Lip Seal**

*Optional Items Shown in ITALICS*

Ref #	Component Item No.	Description	Qty Per
76	<b>E70028</b>	<b>O-RING FOR ROTOR - EPDM</b>	<b>2</b>
	<i>V70028</i>	<i>O-RING FOR ROTOR - VITON</i>	<i>2</i>
103	<b>AL00-BT01-SS</b>	<b>CAP SCREW FOR SEAL RETAINER</b>	<b>4</b>
112	<b>AL10-SE08-SS</b>	<b>SLEEVE, CHROME OXIDE COATED</b>	<b>2</b>
	<i>AL10-SE09-SS</i>	<i>SLEEVE, STAINLESS STEEL</i>	<i>2</i>
	<i>AL10-SE10-SS</i>	<i>SLEEVE, CERAMIC</i>	<i>2</i>
113	<b>AL10-SE05-S3</b>	<b>SS GLAND FOR DOUBLE LIP SEAL FOR PRODUCT</b>	<b>2</b>
	<i>AL10-SE06-S3</i>	<i>SS GLAND FOR TRIPLE LIP SEAL FOR PRODUCT</i>	<i>2</i>
114	<i>V70139</i>	<i>O-RING, DOUBLE LIP SEAL - VITON</i>	<i>2</i>
115	<b>AL10-SE05-S2</b>	<b>DOUBLE LIP SEAL FOR PRODUCT - TEFLON</b>	<b>2</b>
	<i>AL10-SE06-S2</i>	<i>TRIPLE LIP SEAL FOR PRODUCT - TEFLON</i>	<i>2</i>

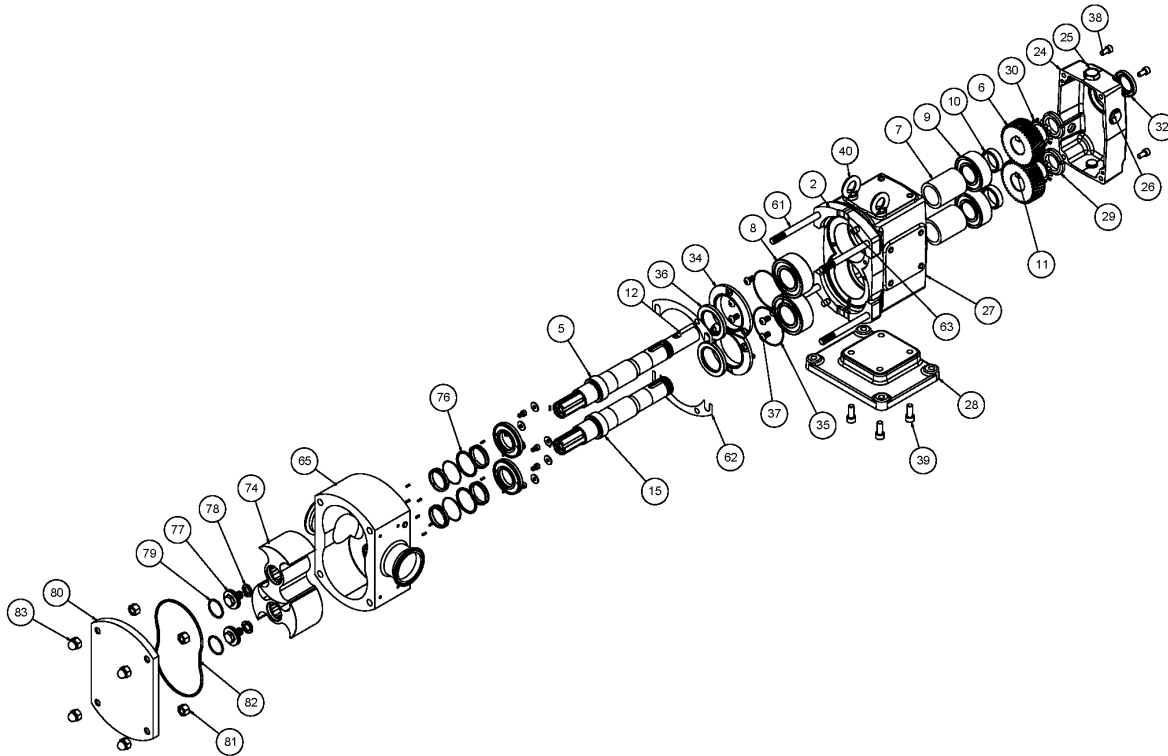


**Heating Jackets**

*Optional Items Shown in ITALICS*

Ref #	Component Item No.	Description	Qty Per
141	AL10-FC06-SS	FRONT COVER WITH JACKET - AL10	1
142	AL10-HJ01-SS	CASE HEATING JACKET FOR BODY TOP - AL05/10/15	1
	AL10-HJ02-SS	CASE HEATING JACKET FOR BODY BOTTOM - AL05/10/15	1
143	AL10-HJ03-SS	CASE HEATING JACKET FOR TUBE ASS'Y - AL10	1
144	AL00-HJ01-SS	ELBOW,HEATING JCKT - AL	2

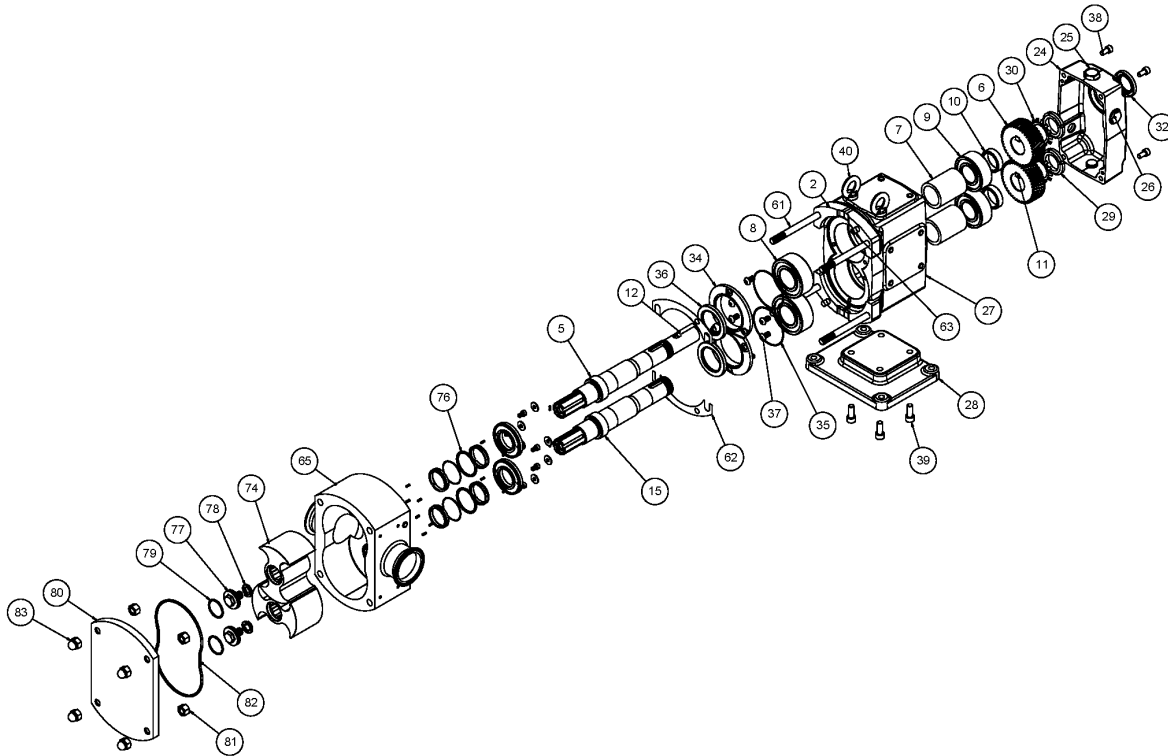




**Exploded View**

*Optional Items Shown in ITALICS*

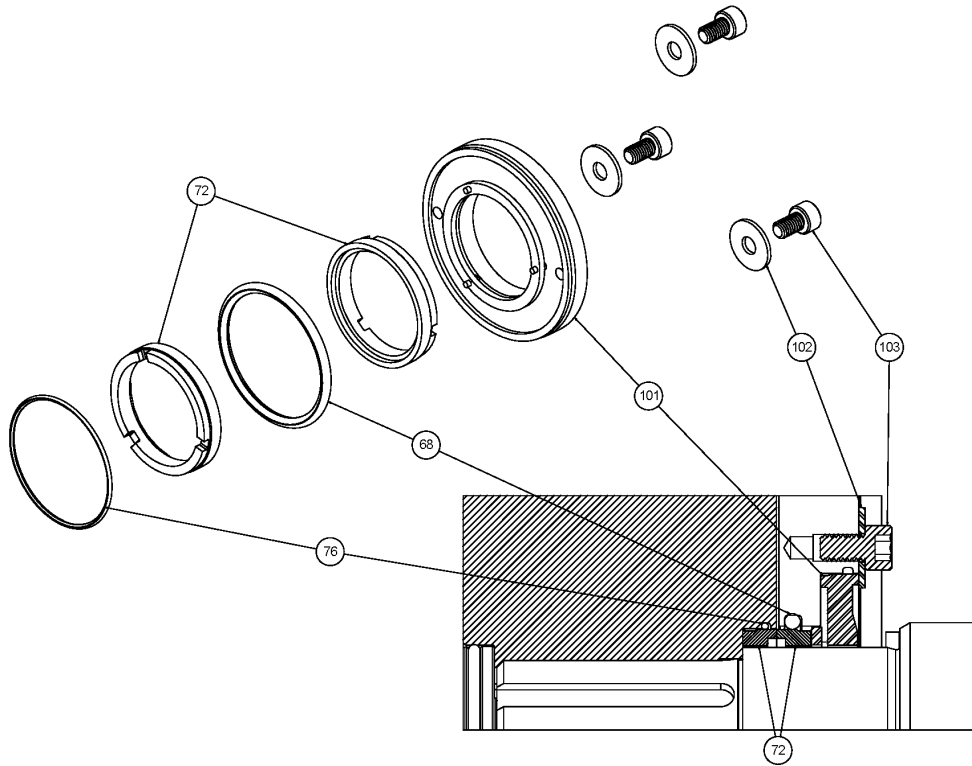
Ref #	Component Item No.	Description	Qty Per
2	AL10-GB03-SS	GEAR BOX - SS	1
5	AL10-SF01-SS	DRIVE SHAFT - AL05/10/15	1
6	AL10-HG01-CS	HELICAL GEAR - LEFT HAND	1
	AL10-HG02-CS	HELICAL GEAR - RIGHT HAND	1
7	AL10-BS01-CS	BEARING SPACER	2
8	AL10-BE01-CC	FRONT BEARING	2
9	AL10-BE02-CS	REAR BEARING	2
10	AL10-GS01-CS	GEAR SPACER	2
11	AL10-GK01-CS	GEAR KEY 8x7x17	2
12	AL10-SK02-CS	SHAFT KEY - 6x6x30	1
15	AL10-SF02-SS	SHORT SHAFT - AL05/10/15	1
24	AL10-GB04-SS	GEAR BOX COVER - SS	1
25	P1GX115798	HEX PLUG WITH NBR SEAL	2
26	P1GX115799	OIL LEVEL INDICATOR	2
27	AL10-PN05-SS	DOWEL FOR GEAR BOX	2
28	AL10-GB05-SS	GEAR BOX BASE - SS	1
29	AL10-LN01-CS	LOCK NUT	2
30	AL10-LW01-CS	LOCK WASHER	2
32	AL10-OS02-L3	REAR OIL SEAL - NBR	1
34	AL10-OS01-SS	OIL SEAL GLAND	2
35	N70035	O-RING FOR OIL SEAL GLAND - NBR	2
36	AL10-OS01-L3	FRONT OIL SEAL - NBR	2
37	AL10-BT01-SS	CAP SCREW FOR OIL SEAL GLAND	6
38	AL10-BT02-SS	CAP SCREW FOR GEAR BOX COVER	4
39	AL10-BT03-SS	CAP SCREW FOR GEAR BASE	4
40	AL10-BT04-SS	EYEBOLT	2
61	AL10-SB00-SS	CASE STUD BOLT - AL05/10	4



**Exploded View**

*Optional Items Shown in ITALICS*

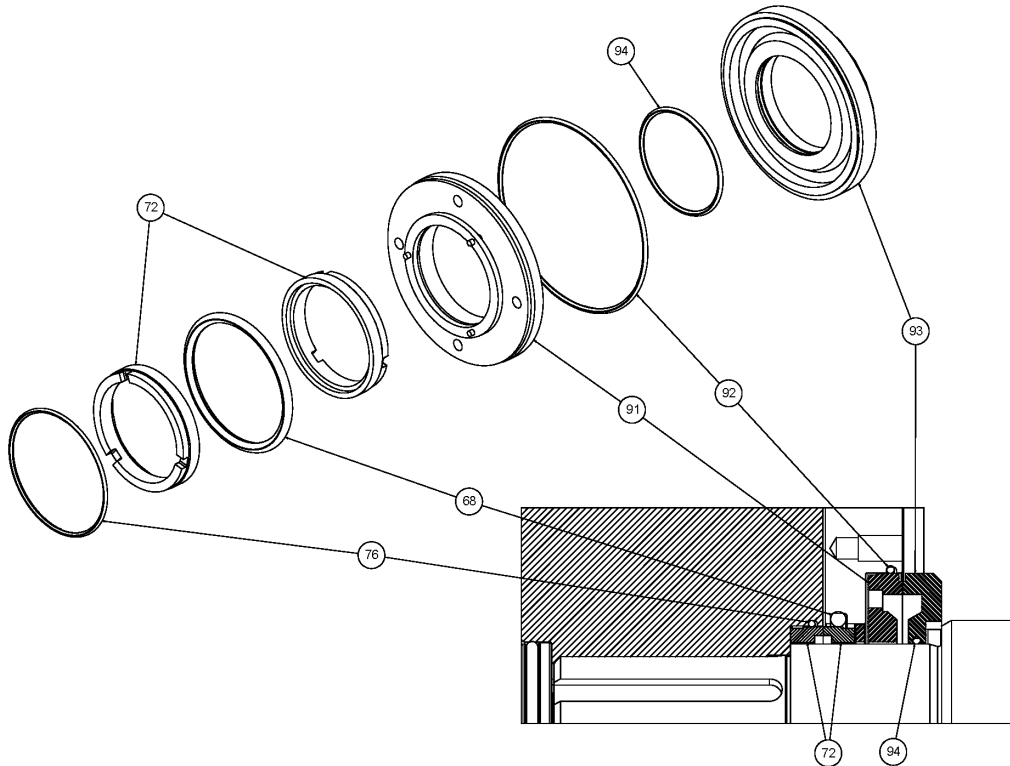
Ref #	Component Item No.	Description	Qty Per
62	AL10-SP01-SS-02	SHIM - 0.002" THICKNESS - AL100 SERIES	2
	AL10-SP01-SS-04	SHIM - 0.004" THICKNESS - AL100 SERIES	2
63	AL10-PN04-SS	DOWEL FOR CASE	2
65	AL10-RC07-SS	ROTOR CASE - AL10	1
74	AL10-RT02-SS-1	ROTOR BI-WING (TOP) - AL10	1
	AL10-RT02-SS-2	ROTOR BI-WING (SIDE) - AL10	1
	<i>AL10-RT05-SS-1</i>	<i>ROTOR MULTI-LOBE (TOP) - AL10</i>	<i>1</i>
	<i>AL10-RT05-SS-2</i>	<i>ROTOR MULTI-LOBE (SIDE) - AL10</i>	<i>1</i>
76	E70028	O-RING FOR ROTOR - EPDM	2
	<i>V70028</i>	<i>O-RING FOR ROTOR - VITON</i>	<i>2</i>
77	AL10-RB02-SS	ROTOR BOLT - (SLOTTED)	2
78	AL10-SW01-SS	SPRING WASHER FOR ROTOR BOLT	2
79	E70021	O-RING FOR ROTOR BOLT - EPDM	2
	<i>V70021</i>	<i>O-RING FOR ROTOR BOLT - VITON</i>	<i>2</i>
80	AL10-FC01-SS	FRONT COVER - AL10	1
81	AL10-HN01-SS	HEX NUT/STUD BOLT LOCK	4
82	E70248	O-RING FOR FRONT COVER - AL10 - EPDM	1
	<i>V70248</i>	<i>O-RING FOR FRONT COVER - AL10 - VITON</i>	<i>1</i>
	<i>TE70248</i>	<i>O-RING FOR FRONT COVER - AL10 - TEFLON ENCAP</i>	<i>1</i>
83	AL10-CN01-SS	CAP NUT	4



**Single Mechanical Seal**

*Optional Items Shown in ITALICS*

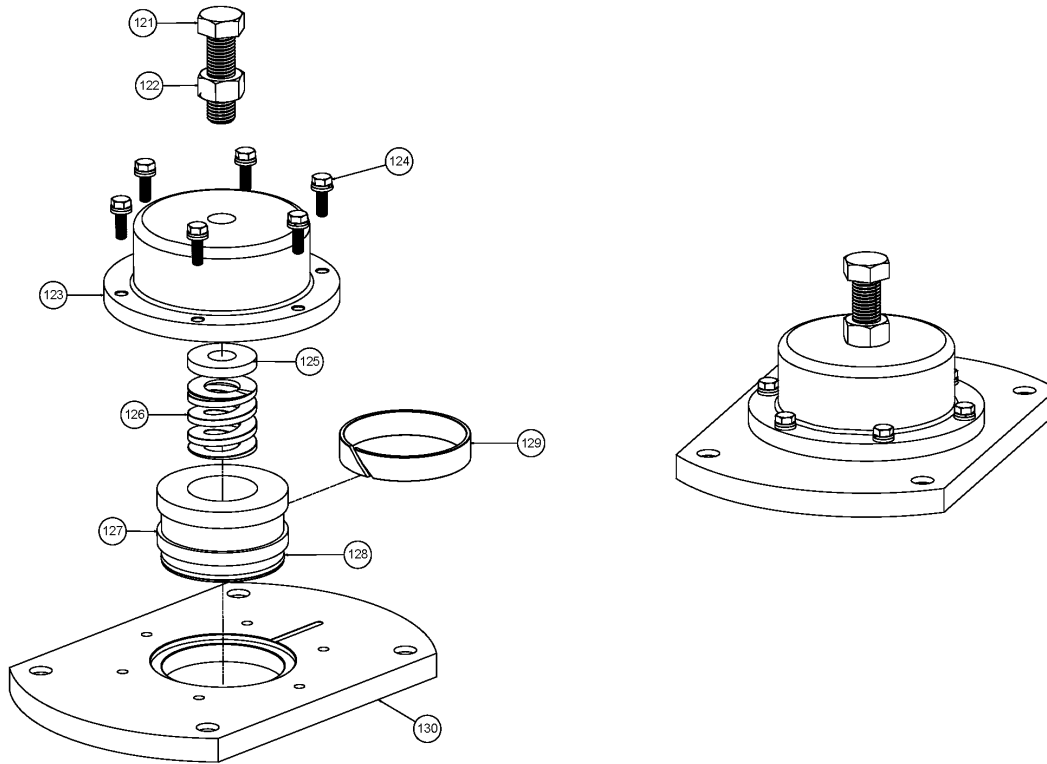
Ref #	Component Item No.	Description	Qty Per
68	<b>E70220</b>	<b>O-RING FOR ROTOR CASE - EPDM</b>	<b>2</b>
	<i>V70220</i>	<i>O-RING FOR ROTOR CASE - VITON</i>	<i>2</i>
72	<b>AL10-SE06-SS</b>	<b>SEAL/MECHANICAL SEAL RING - TC</b>	<b>4</b>
	<i>AL10-SE07-SS</i>	<i>SEAL/MECHANICAL SEAL RING - SC</i>	<i>4</i>
76	<b>E70028</b>	<b>O-RING FOR ROTOR - EPDM</b>	<b>2</b>
	<i>V70028</i>	<i>O-RING FOR ROTOR - VITON</i>	<i>2</i>
101	<b>AL10-SE01-S3</b>	<b>SEAL/SINGLE MECH SEAL BASE</b>	<b>2</b>
102	<b>AL00-WS01-SS</b>	<b>DIN M6 FENDER WASHER</b>	<b>4</b>
103	<b>AL00-BT01-SS</b>	<b>CAP SCREW FOR SEAL RETAINER</b>	<b>4</b>



**Double Mechanical Seal**

*Optional Items Shown in ITALICS*

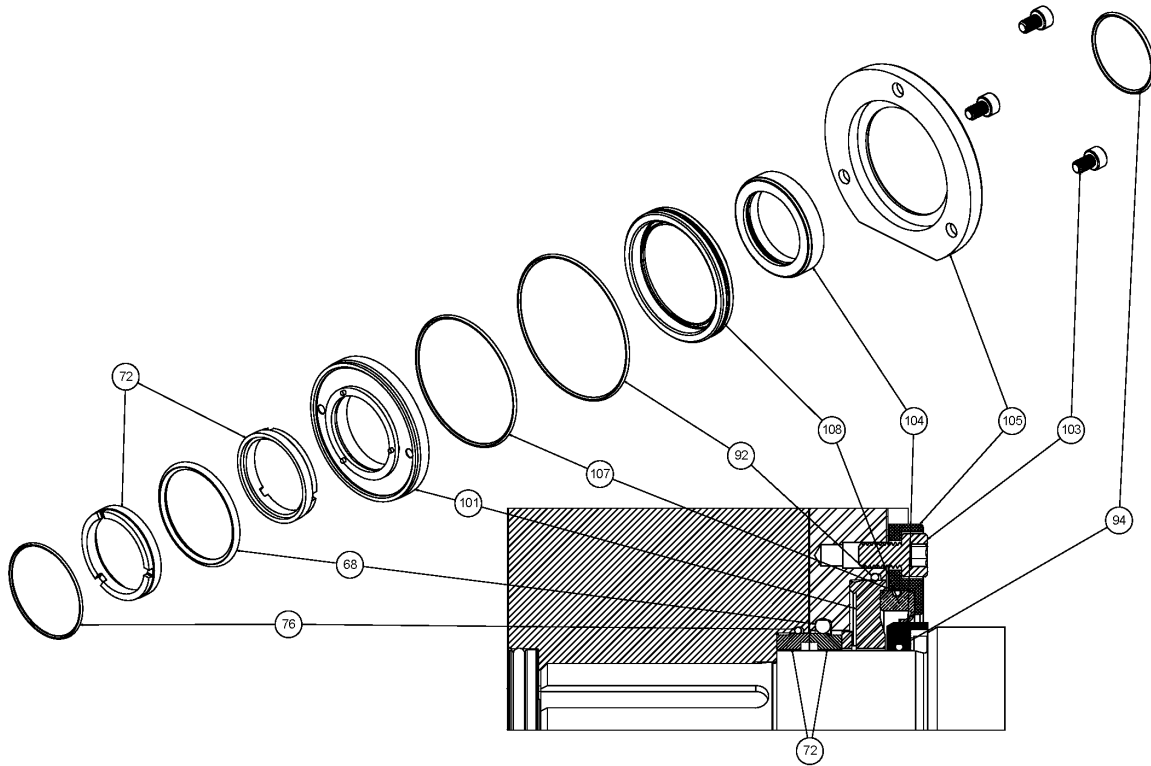
Ref #	Component Item No.	Description	Qty Per
68	<b>E70220</b>	<b>O-RING FOR ROTOR CASE - EPDM</b>	<b>2</b>
	<i>V70220</i>	<i>O-RING FOR ROTOR CASE - VITON</i>	2
72	<b>AL10-SE06-SS</b>	<b>SEAL/MECHANICAL SEAL RING - TC</b>	<b>4</b>
	<i>AL10-SE07-SS</i>	<i>SEAL/MECHANICAL SEAL RING - SC</i>	4
76	<b>E70028</b>	<b>O-RING FOR ROTOR - EPDM</b>	<b>2</b>
	<i>V70028</i>	<i>O-RING FOR ROTOR - VITON</i>	2
91	<b>AL10-SE01-S5</b>	<b>DOUBLE SEAL REAR BASE - SC</b>	<b>2</b>
	<i>AL10-SE01-S6</i>	<i>DOUBLE SEAL REAR BASE - TC</i>	2
92	<b>E70036</b>	<b>O-RING FOR DOUBLE SEAL CASE - EPDM</b>	<b>2</b>
	<i>V70036</i>	<i>O-RING FOR DOUBLE SEAL CASE - VITON</i>	2
93	<b>AL10-SE02-S2</b>	<b>SEAL/FLUSHED SEAL UNIT - SC</b>	<b>2</b>
	<i>AL10-SE02-S1</i>	<i>SEAL/FLUSHED SEAL UNIT - TC</i>	2
94	<b>E70023</b>	<b>O-RING FOR DOUBLE SEAL SHAFT - EPDM</b>	<b>2</b>
	<i>V70023</i>	<i>O-RING FOR DOUBLE SEAL SHAFT - VITON</i>	2



**Pressure Relief Cover**

*Optional Items Shown in ITALICS*

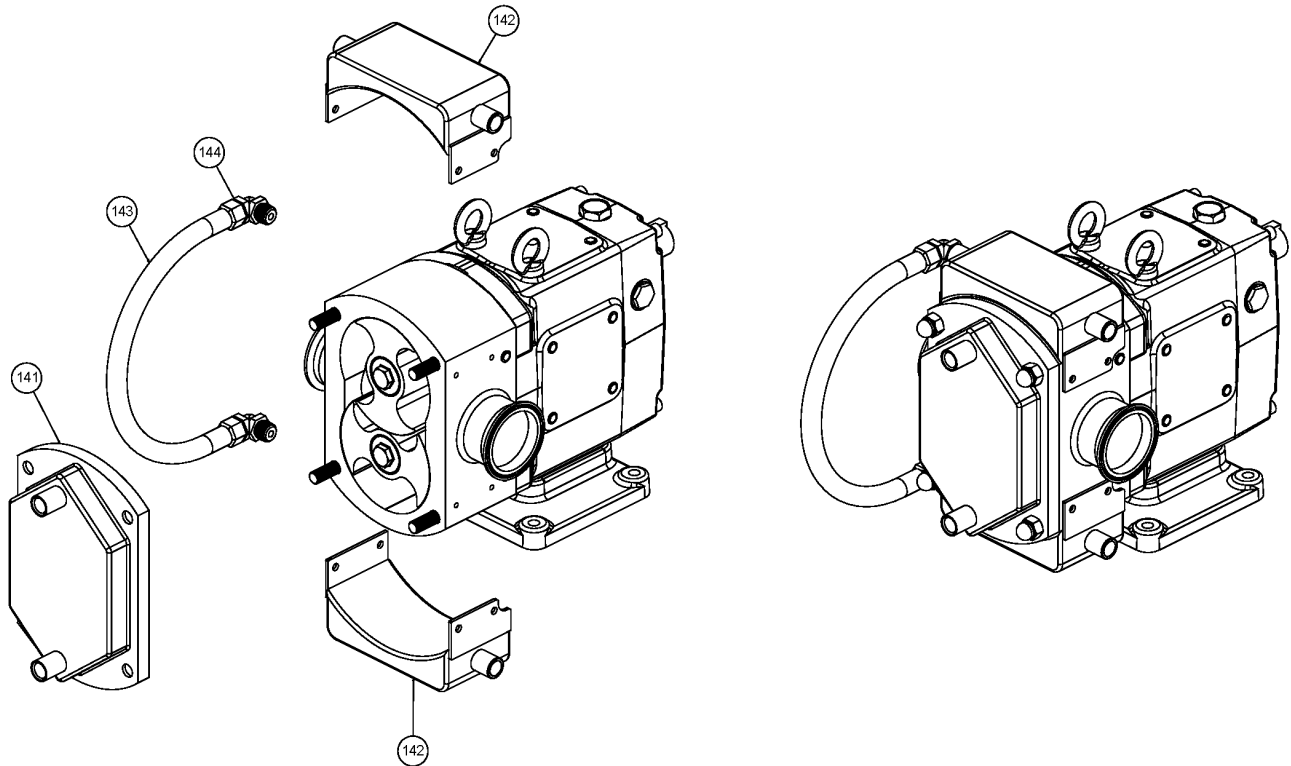
Ref #	Component Item No.	Description	Qty Per
121	GX5515150	ADJUSTING BOLT	1
122	GX5515000	LOCK NUT	1
123	AL10-RH01-SS	HOUSING FOR RELIEF VALVE	1
124	GX5512010	LOCK WASHER	4
	GX5512105	BOLT, HEX HEAD	4
125	AL10-RP02-SS	PISTON FOR ADJUSTING	1
126	AL10-RS03-CS	SPRING	1
127	AL10-RV02-SS	VALVE HEAD	1
128	E70136	O-RING - EPDM	1
	V70136	O-RING - VITON	1
129	E70115	O-RING - EPDM	1
	V70115	O-RING - VITON	1
130	AL10-FC03-SS	FRONT COVER FOR RELIEF VALVE - AL10	1



**Single Mechanical Seal with Flush**

*Optional Items Shown in ITALICS*

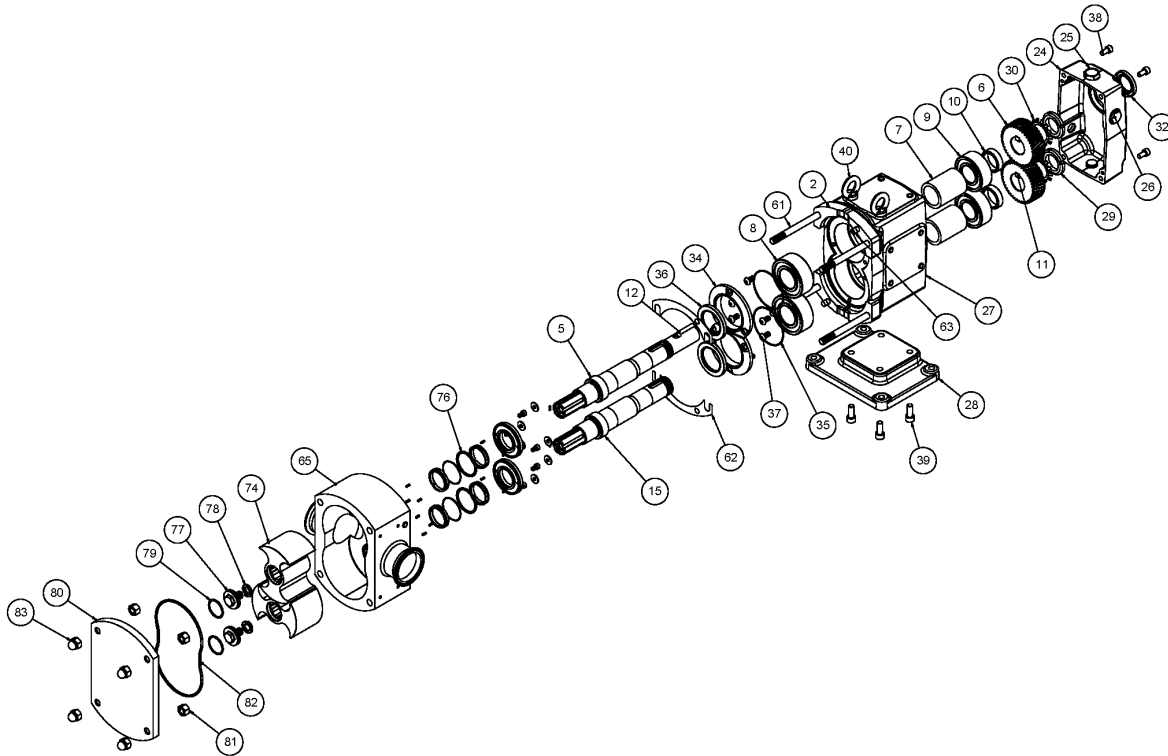
Ref #	Component Item No.	Description	Qty Per
68	<b>E70220</b>	<b>O-RING FOR ROTOR CASE - EPDM</b>	<b>2</b>
	<i>V70220</i>	<i>O-RING FOR ROTOR CASE - VITON</i>	<i>2</i>
72	<b>AL10-SE06-SS</b>	<b>SEAL/MECHANICAL SEAL RING - TC</b>	<b>4</b>
	<i>AL10-SE07-SS</i>	<i>SEAL/MECHANICAL SEAL RING - SC</i>	<i>4</i>
76	<b>E70028</b>	<b>O-RING FOR ROTOR - EPDM</b>	<b>2</b>
	<i>V70028</i>	<i>O-RING FOR ROTOR - VITON</i>	<i>2</i>
92	<b>E70036</b>	<b>O-RING FOR DOUBLE SEAL CASE - EPDM</b>	<b>2</b>
	<i>V70036</i>	<i>O-RING FOR DOUBLE SEAL CASE - VITON</i>	<i>2</i>
94	<b>E70023</b>	<b>O-RING FOR DOUBLE SEAL SHAFT - EPDM</b>	<b>2</b>
	<i>V70023</i>	<i>O-RING FOR DOUBLE SEAL SHAFT - VITON</i>	<i>2</i>
101	<b>AL10-SE01-S3</b>	<b>SEAL/SINGLE MECH SEAL BASE</b>	<b>2</b>
103	<b>AL00-BT01-SS</b>	<b>CAP SCREW FOR SEAL RETAINER</b>	<b>4</b>
104	<b>AL10-FL02-CE</b>	<b>CERMAIC SLEEVE FOR FLUSHING</b>	<b>2</b>
105	<b>AL10-FL03-SS</b>	<b>SS GLAND FOR FLUSHING</b>	<b>2</b>
107	<b>E70033</b>	<b>O-RING FOR FLUSHED LIP - EPDM</b>	<b>2</b>
	<i>V70033</i>	<i>O-RING FOR FLUSHED LIP - VITON</i>	<i>2</i>
108	<b>AL10-FL01-PF</b>	<b>PTFE - LIP SEAL FOR FLUSHING</b>	<b>2</b>



**Heating Jackets**

*Optional Items Shown in ITALICS*

Ref #	Component Item No.	Description	Qty Per
141	AL10-FC06-SS	FRONT COVER WITH JACKET - AL10	1
142	AL10-HJ01-SS	CASE HEATING JACKET FOR BODY TOP - AL05/10/15	1
	AL10-HJ02-SS	CASE HEATING JACKET FOR BODY BOTTOM - AL05/10/15	1
143	AL10-HJ03-SS	CASE HEATING JACKET FOR TUBE ASS'Y - AL10	1
144	AL00-HJ01-SS	ELBOW,HEATING JCKT - AL	2

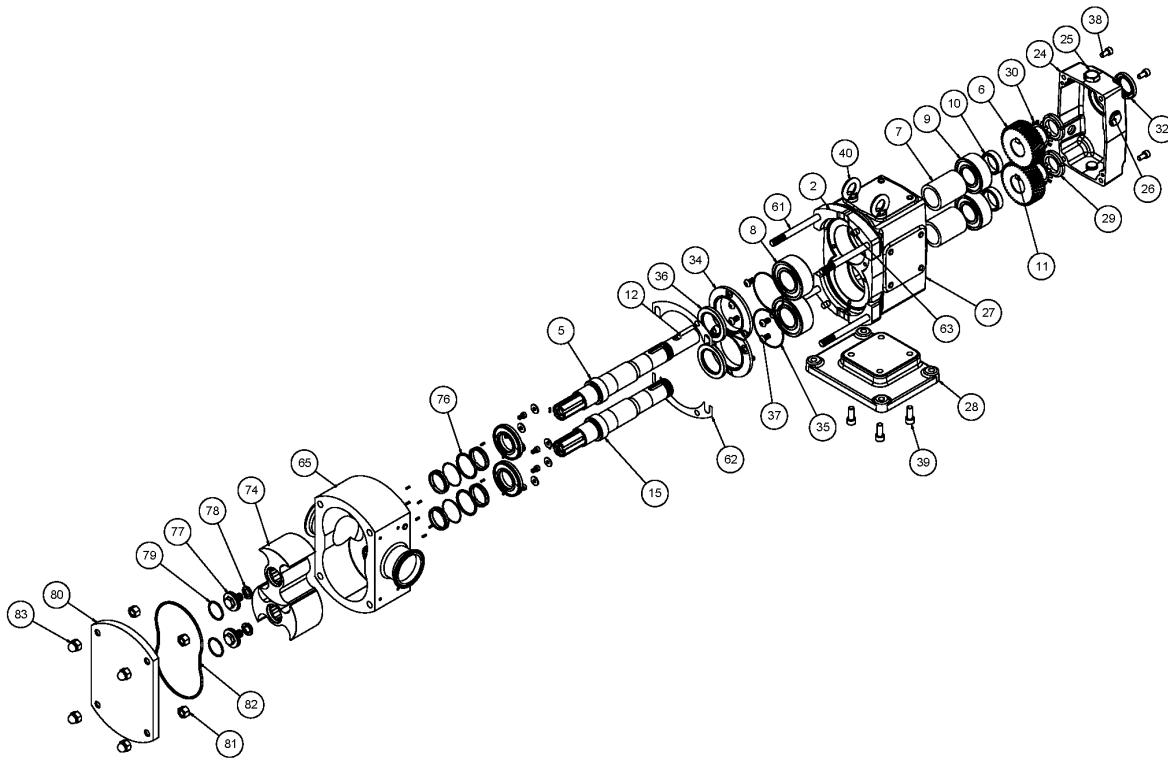


**Exploded View**

*Optional Items Shown in ITALICS*

Ref #	Component Item No.	Description	Qty Per
2	AL10-GB03-SS	GEAR BOX - SS	1
5	AL10-SF01-SS	DRIVE SHAFT - AL05/10/15	1
6	AL10-HG01-CS	HELICAL GEAR - LEFT HAND	1
	AL10-HG02-CS	HELICAL GEAR - RIGHT HAND	1
7	AL10-BS01-CS	BEARING SPACER	2
8	AL10-BE01-CC	FRONT BEARING	2
9	AL10-BE02-CS	REAR BEARING	2
10	AL10-GS01-CS	GEAR SPACER	2
11	AL10-GK01-CS	GEAR KEY 8x7x17	2
12	AL10-SK02-CS	SHAFT KEY - 6x6x30	1
15	AL10-SF02-SS	SHORT SHAFT - AL05/10/15	1
24	AL10-GB04-SS	GEAR BOX COVER - SS	1
25	P1GX115798	HEX PLUG WITH NBR SEAL	2
26	P1GX115799	OIL LEVEL INDICATOR	2
27	AL10-PN05-SS	DOWEL FOR GEAR BOX	2
28	AL10-GB05-SS	GEAR BOX BASE - SS	1
29	AL10-LN01-CS	LOCK NUT	2
30	AL10-LW01-CS	LOCK WASHER	2
32	AL10-OS02-L3	REAR OIL SEAL - NBR	1
34	AL10-OS01-SS	OIL SEAL GLAND	2
35	N70035	O-RING FOR OIL SEAL GLAND - NBR	2
36	AL10-OS01-L3	FRONT OIL SEAL - NBR	2
37	AL10-BT01-SS	CAP SCREW FOR OIL SEAL GLAND	6
38	AL10-BT02-SS	CAP SCREW FOR GEAR BOX COVER	4
39	AL10-BT03-SS	CAP SCREW FOR GEAR BASE	4
40	AL10-BT04-SS	EYEBOLT	2
61	AL10-SB00-SS	CASE STUD BOLT - AL05/10	4

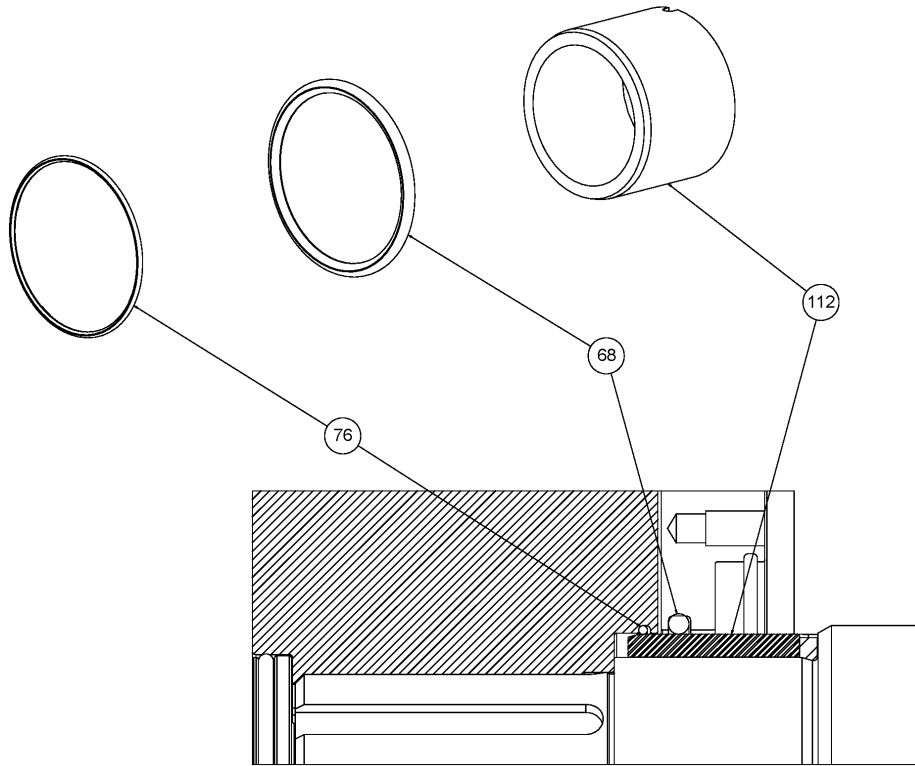




**Exploded View**

*Optional Items Shown in ITALICS*

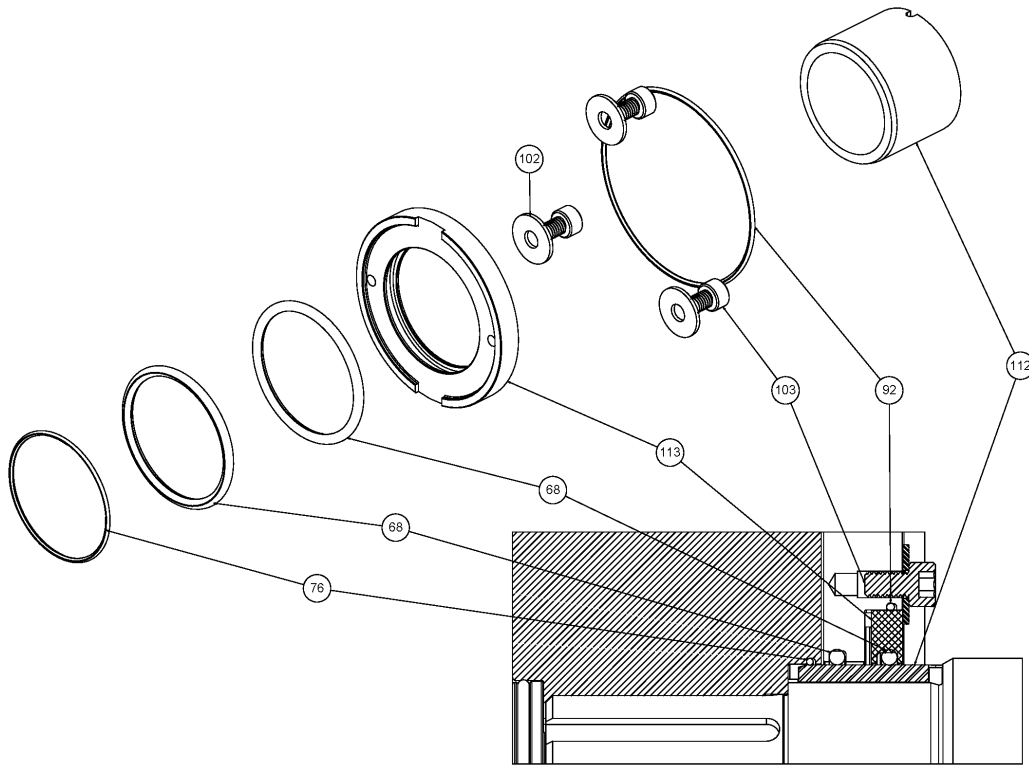
Ref #	Component Item No.	Description	Qty Per
62	AL10-SP01-SS-02	SHIM - 0.002" THICKNESS - AL100 SERIES	2
	AL10-SP01-SS-04	SHIM - 0.004" THICKNESS - AL100 SERIES	2
63	AL10-PN04-SS	DOWEL FOR CASE	2
65	AL10-RC07-SS	ROTOR CASE - AL10	1
74	AL10-RT02-SS-1	ROTOR BI-WING (TOP) - AL10	1
	AL10-RT02-SS-2	ROTOR BI-WING (SIDE) - AL10	1
	<i>AL10-RT05-SS-1</i>	<i>ROTOR MULTI-LOBE (TOP) - AL10</i>	<i>1</i>
	<i>AL10-RT05-SS-2</i>	<i>ROTOR MULTI-LOBE (SIDE) - AL10</i>	<i>1</i>
76	E70028	O-RING FOR ROTOR - EPDM	2
	<i>V70028</i>	<i>O-RING FOR ROTOR - VITON</i>	<i>2</i>
77	AL10-RB02-SS	ROTOR BOLT - (SLOTTED)	2
78	AL10-SW01-SS	SPRING WASHER FOR ROTOR BOLT	2
79	E70021	O-RING FOR ROTOR BOLT - EPDM	2
	<i>V70021</i>	<i>O-RING FOR ROTOR BOLT - VITON</i>	<i>2</i>
80	AL10-FC01-SS	FRONT COVER - AL10	1
81	AL10-HN01-SS	HEX NUT/STUD BOLT LOCK	4
82	E70248	O-RING FOR FRONT COVER - AL10 - EPDM	1
	<i>V70248</i>	<i>O-RING FOR FRONT COVER - AL10 - VITON</i>	<i>1</i>
	<i>TE70248</i>	<i>O-RING FOR FRONT COVER - AL10 - TEFLON ENCAP</i>	<i>1</i>
83	AL10-CN01-SS	CAP NUT	4



**Single O-Ring Seal**

*Optional Items Shown in ITALICS*

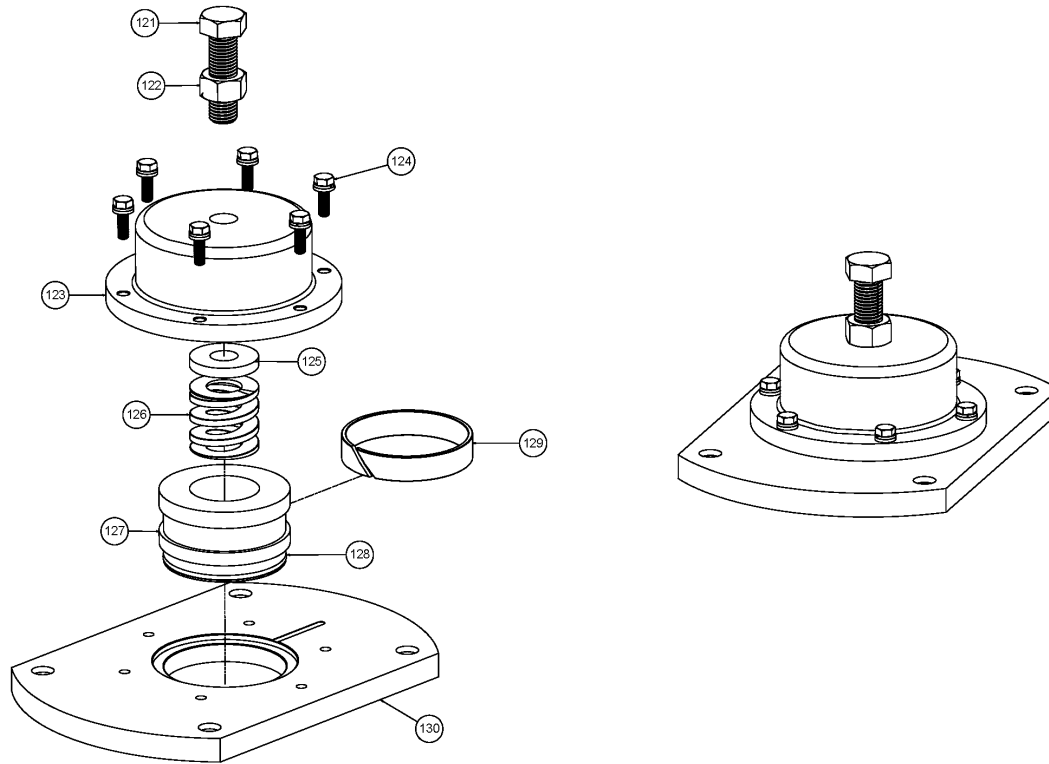
Ref #	Component Item No.	Description	Qty Per
68	<b>E70220</b>	<b>O-RING FOR ROTOR CASE - EPDM</b>	<b>2</b>
	<i>V70220</i>	<i>O-RING FOR ROTOR CASE - VITON</i>	<i>2</i>
76	<b>E70028</b>	<b>O-RING FOR ROTOR - EPDM</b>	<b>2</b>
	<i>V70028</i>	<i>O-RING FOR ROTOR - VITON</i>	<i>2</i>
112	<b>AL10-SE08-SS</b>	<b>SLEEVE, CHROME OXIDE COATED</b>	<b>2</b>
	<i>AL10-SE09-SS</i>	<i>SLEEVE, STAINLESS STEEL</i>	<i>2</i>
	<i>AL10-SE10-SS</i>	<i>SLEEVE, CERAMIC</i>	<i>2</i>



**Double O-Ring Seal**

*Optional Items Shown in ITALICS*

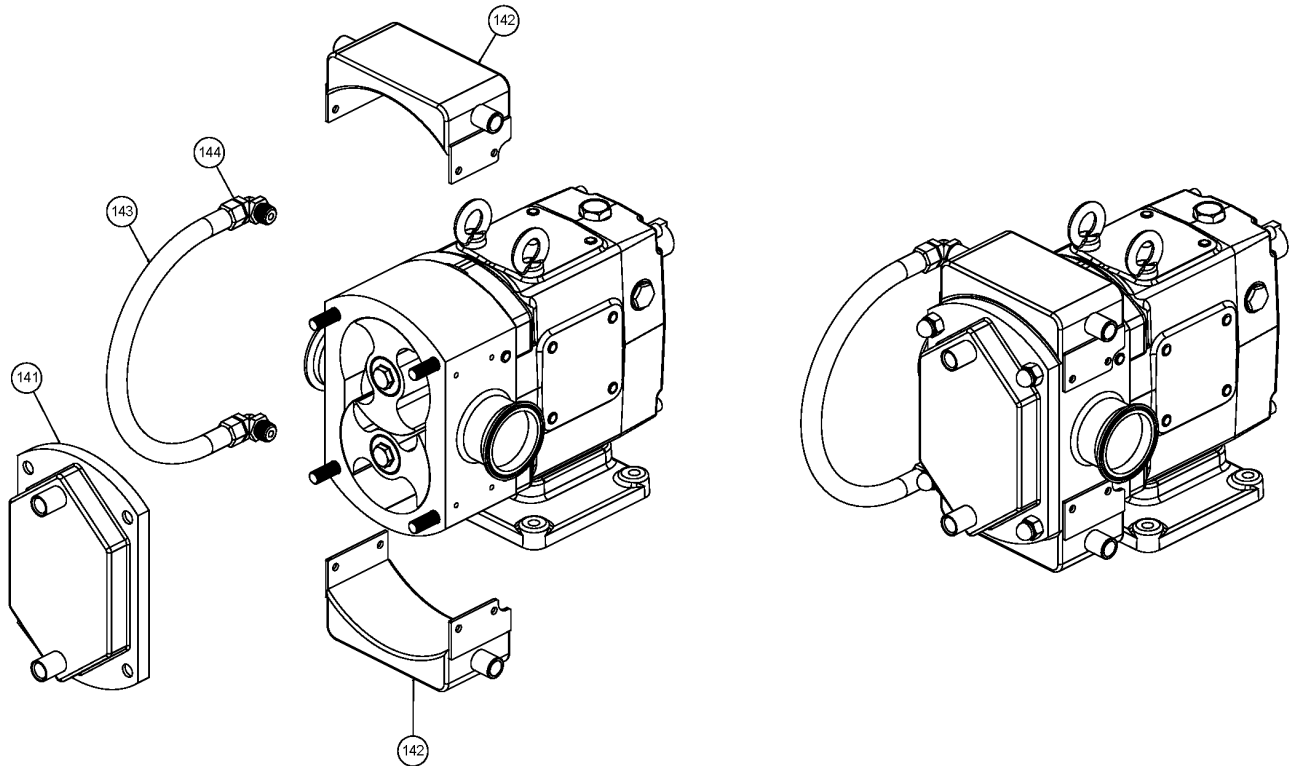
Ref #	Component Item No.	Description	Qty Per
68	<b>E70220</b>	<b>O-RING FOR ROTOR CASE - EPDM</b>	<b>4</b>
	<i>V70220</i>	<i>O-RING FOR ROTOR CASE - VITON</i>	<i>4</i>
76	<b>E70028</b>	<b>O-RING FOR ROTOR - EPDM</b>	<b>2</b>
	<i>V70028</i>	<i>O-RING FOR ROTOR - VITON</i>	<i>2</i>
92	<b>E70036</b>	<b>O-RING FOR DOUBLE SEAL CASE - EPDM</b>	<b>2</b>
	<b>V70036</b>	<b>O-RING FOR DOUBLE SEAL CASE - VITON</b>	<b>2</b>
102	<b>AL00-WS01-SS</b>	<b>DIN M6 FENDER WASHER</b>	<b>4</b>
103	<b>AL00-BT01-SS</b>	<b>CAP SCREW FOR SEAL RETAINER</b>	<b>4</b>
112	<b>AL10-SE08-SS</b>	<b>SLEEVE, CHROME OXIDE COATED</b>	<b>2</b>
	<i>AL10-SE09-SS</i>	<i>SLEEVE, STAINLESS STEEL</i>	<i>2</i>
	<i>AL10-SE10-SS</i>	<i>SLEEVE, CERAMIC</i>	<i>2</i>
113	<b>AL10-OS02-SS</b>	<b>SS GLAND FOR DOUBLE O-RING</b>	<b>2</b>



**Pressure Relief Cover**

*Optional Items Shown in ITALICS*

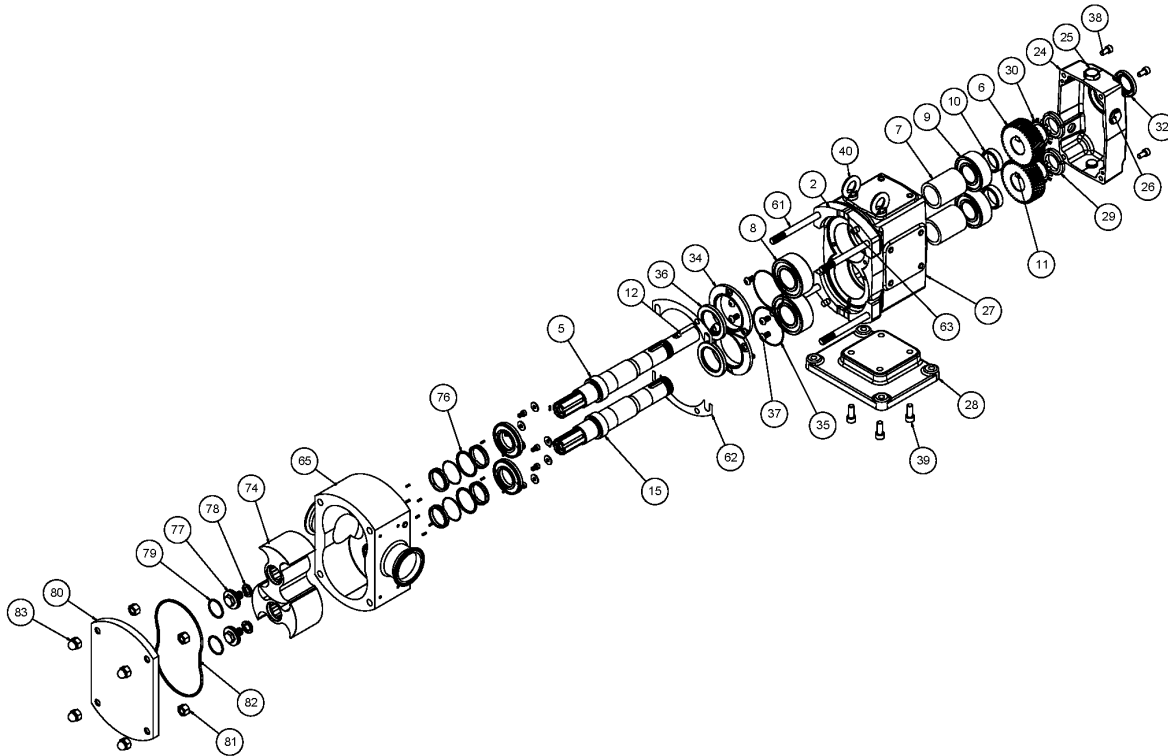
Ref #	Component Item No.	Description	Qty Per
121	GX5515150	ADJUSTING BOLT	1
122	GX5515000	LOCK NUT	1
123	AL10-RH01-SS	HOUSING FOR RELIEF VALVE	1
124	GX5512010	LOCK WASHER	4
	GX5512105	BOLT, HEX HEAD	4
125	AL10-RP02-SS	PISTON FOR ADJUSTING	1
126	AL10-RS03-CS	SPRING	1
127	AL10-RV02-SS	VALVE HEAD	1
128	E70136	O-RING - EPDM	1
	V70136	O-RING - VITON	1
129	E70115	O-RING - EPDM	1
	V70115	O-RING - VITON	1
130	AL10-FC03-SS	FRONT COVER FOR RELIEF VALVE - AL10	1



**Heating Jackets**

*Optional Items Shown in ITALICS*

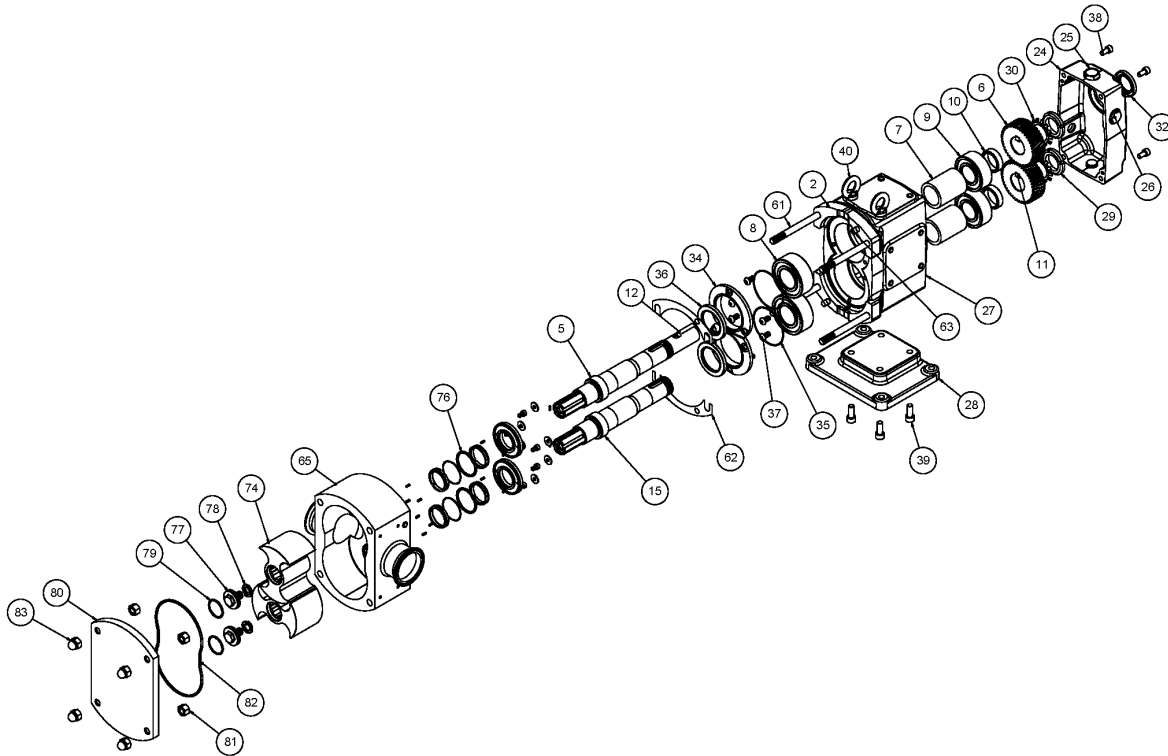
Ref #	Component Item No.	Description	Qty Per
141	AL10-FC06-SS	FRONT COVER WITH JACKET - AL10	1
142	AL10-HJ01-SS	CASE HEATING JACKET FOR BODY TOP - AL05/10/15	1
	AL10-HJ02-SS	CASE HEATING JACKET FOR BODY BOTTOM - AL05/10/15	1
143	AL10-HJ03-SS	CASE HEATING JACKET FOR TUBE ASS'Y - AL10	1
144	AL00-HJ01-SS	ELBOW,HEATING JCKT - AL	2



**Exploded View**

*Optional Items Shown in ITALICS*

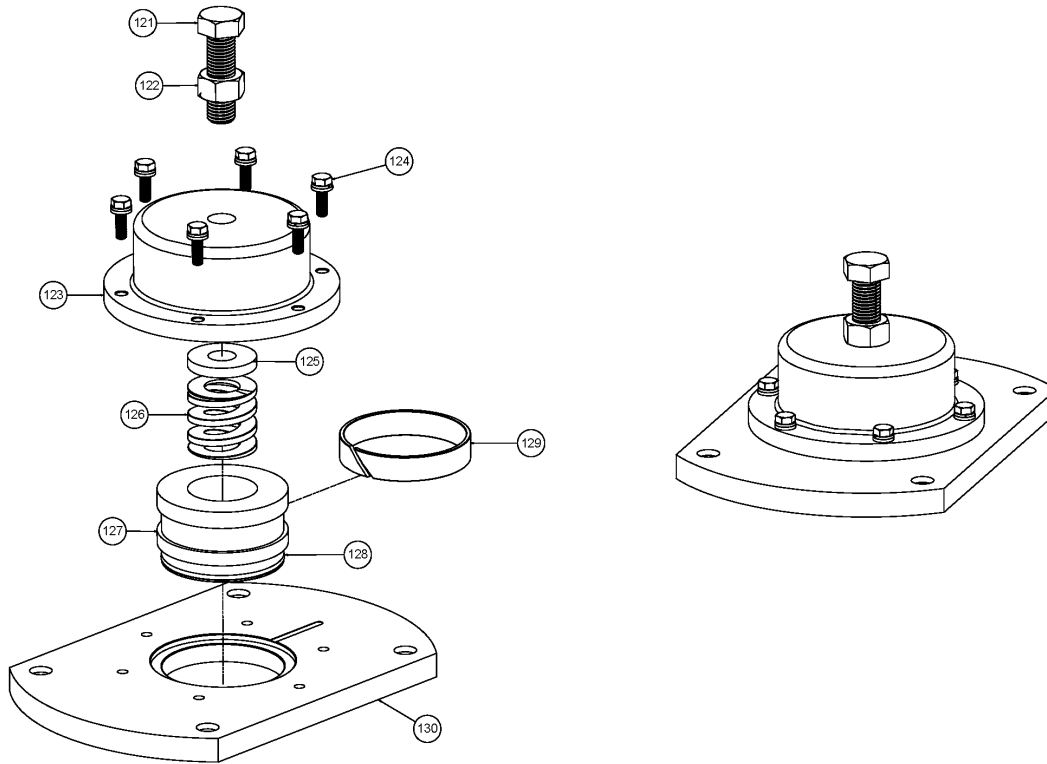
Ref #	Component Item No.	Description	Qty Per
2	AL10-GB03-SS	GEAR BOX - SS	1
5	AL10-SF01-SS	DRIVE SHAFT - AL05/10/15	1
6	AL10-HG01-CS	HELICAL GEAR - LEFT HAND	1
	AL10-HG02-CS	HELICAL GEAR - RIGHT HAND	1
7	AL10-BS01-CS	BEARING SPACER	2
8	AL10-BE01-CC	FRONT BEARING	2
9	AL10-BE02-CS	REAR BEARING	2
10	AL10-GS01-CS	GEAR SPACER	2
11	AL10-GK01-CS	GEAR KEY 8x7x17	2
12	AL10-SK02-CS	SHAFT KEY - 6x6x30	1
15	AL10-SF02-SS	SHORT SHAFT - AL05/10/15	1
24	AL10-GB04-SS	GEAR BOX COVER - SS	1
25	P1GX115798	HEX PLUG WITH NBR SEAL	2
26	P1GX115799	OIL LEVEL INDICATOR	2
27	AL10-PN05-SS	DOWEL FOR GEAR BOX	2
28	AL10-GB05-SS	GEAR BOX BASE - SS	1
29	AL10-LN01-CS	LOCK NUT	2
30	AL10-LW01-CS	LOCK WASHER	2
32	AL10-OS02-L3	REAR OIL SEAL - NBR	1
34	AL10-OS01-SS	OIL SEAL GLAND	2
35	N70035	O-RING FOR OIL SEAL GLAND - NBR	2
36	AL10-OS01-L3	FRONT OIL SEAL - NBR	2
37	AL10-BT01-SS	CAP SCREW FOR OIL SEAL GLAND	6
38	AL10-BT02-SS	CAP SCREW FOR GEAR BOX COVER	4
39	AL10-BT03-SS	CAP SCREW FOR GEAR BASE	4
40	AL10-BT04-SS	EYEBOLT	2
61	AL10-SB01-SS	CASE STUD BOLT - AL15	4



**Exploded View**

*Optional Items Shown in ITALICS*

Ref #	Component Item No.	Description	Qty Per
62	AL10-SP01-SS-02	SHIM - 0.002" THICKNESS - AL100 SERIES	2
	AL10-SP01-SS-04	SHIM - 0.004" THICKNESS - AL100 SERIES	2
63	AL10-PN04-SS	DOWEL FOR CASE	2
65	AL10-RC47-SS	ROTOR CASE - AL15	1
74	AL10-RT12-SS-1	ROTOR BI-WING (TOP) - AL15	1
	AL10-RT12-SS-2	ROTOR BI-WING (SIDE) - AL15	1
	<i>AL10-RT12-SS-1H</i>	<i>ROTOR BI-WING (TOP) - AL15 - HOT</i>	1
	<i>AL10-RT12-SS-2H</i>	<i>ROTOR BI-WING (SIDE) - AL15 - HOT</i>	1
	<i>AL10-RT11-SS-1</i>	<i>ROTOR SINGLE-WING - AL15</i>	2
	<i>AL10-RT14-SS-1</i>	<i>ROTOR TRI-LOBE - AL15</i>	2
	<i>AL10-RT14-SS-1H</i>	<i>ROTOR TRI-LOBE - AL15 - HOT</i>	2
76	E70028	O-RING FOR ROTOR - EPDM	2
	<i>V70028</i>	<i>O-RING FOR ROTOR - VITON</i>	2
77	AL10-RB01-SS	ROTOR BOLT - (HEX HEAD)	2
	<i>AL10-RB02-SS</i>	<i>ROTOR BOLT - (SLOTTED) **Pressure Relief Cover Only</i>	2
78	AL10-SW01-SS	SPRING WASHER FOR ROTOR BOLT	2
79	E70021	O-RING FOR ROTOR BOLT - EPDM	2
	<i>V70021</i>	<i>O-RING FOR ROTOR BOLT - VITON</i>	2
80	AL10-FC02-SS	FRONT COVER - AL10	1
81	AL10-HN01-SS	HEX NUT/STUD BOLT LOCK	4
82	E70251	O-RING FOR FRONT COVER - AL15/20 - EPDM	1
	<i>V70251</i>	<i>O-RING FOR FRONT COVER - AL15/20 - VITON</i>	1
	<i>TE70251</i>	<i>O-RING FOR FRONT COVER - AL15/20 - TEFLON ENCAP</i>	1
83	AL10-CN01-SS	CAP NUT	4

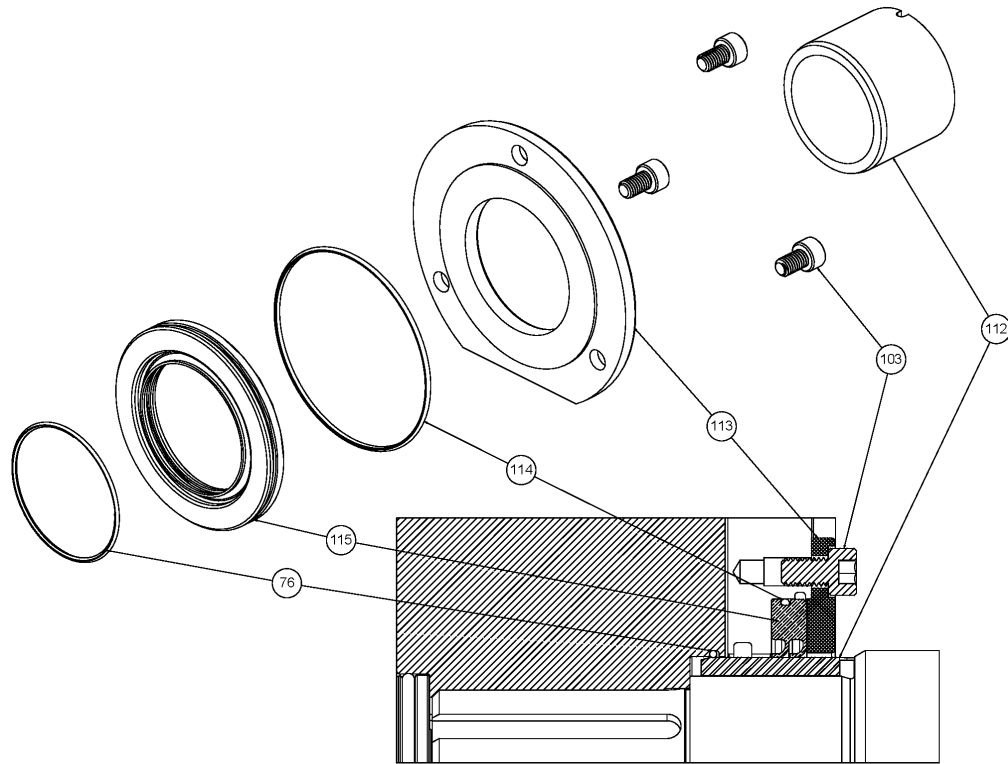


**Pressure Relief Cover**

*Optional Items Shown in ITALICS*

Ref #	Component Item No.	Description	Qty Per
77	AL10-RB02-SS	ROTOR BOLT - (SLOTTED) <b>**Not Shown Above</b>	2
121	GX5515150	ADJUSTING BOLT	1
122	GX5515000	LOCK NUT	1
123	AL10-RH01-SS	HOUSING FOR RELIEF VALVE	1
124	GX5512010	LOCK WASHER	4
	GX5512105	BOLT, HEX HEAD	4
125	AL10-RP02-SS	PISTON FOR ADJUSTING	1
126	AL10-RS03-CS	SPRING	1
127	AL10-RV01-SS	VALVE HEAD	1
128	E70138	O-RING - EPDM	1
	V70138	O-RING - VITON	1
129	E70134	O-RING - EPDM	1
	V70134	O-RING - VITON	1
130	AL10-FC04-SS	FRONT COVER FOR RELIEF VALVE - AL15/20	1

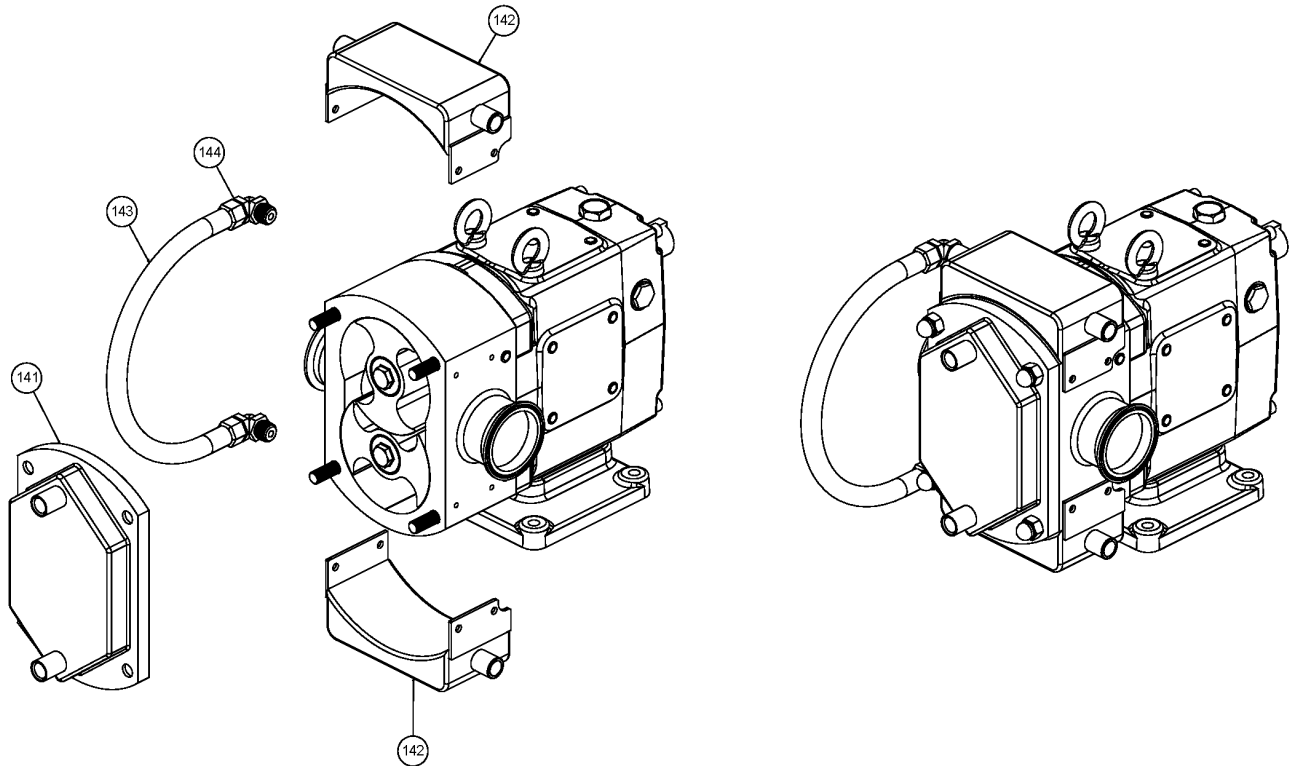




**Lip Seal**

*Optional Items Shown in ITALICS*

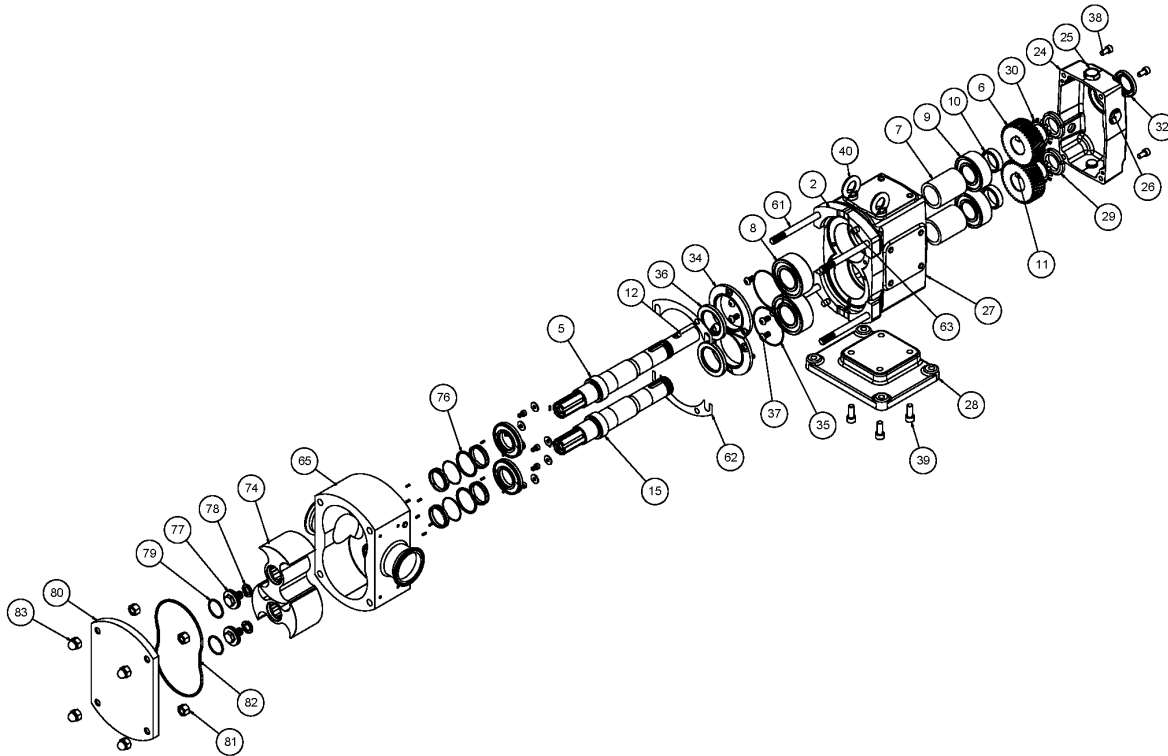
Ref #	Component Item No.	Description	Qty Per
76	<b>E70028</b>	<b>O-RING FOR ROTOR - EPDM</b>	<b>2</b>
	<i>V70028</i>	<i>O-RING FOR ROTOR - VITON</i>	<i>2</i>
103	<b>AL00-BT01-SS</b>	<b>CAP SCREW FOR SEAL RETAINER</b>	<b>4</b>
112	<b>AL10-SE08-SS</b>	<b>SLEEVE, CHROME OXIDE COATED</b>	<b>2</b>
	<i>AL10-SE09-SS</i>	<i>SLEEVE, STAINLESS STEEL</i>	<i>2</i>
	<i>AL10-SE10-SS</i>	<i>SLEEVE, CERAMIC</i>	<i>2</i>
113	<b>AL10-SE05-S3</b>	<b>SS GLAND FOR DOUBLE LIP SEAL FOR PRODUCT</b>	<b>2</b>
	<i>AL10-SE06-S3</i>	<i>SS GLAND FOR TRIPLE LIP SEAL FOR PRODUCT</i>	<i>2</i>
114	<i>V70139</i>	<i>O-RING, DOUBLE LIP SEAL - VITON</i>	<i>2</i>
115	<b>AL10-SE05-S2</b>	<b>DOUBLE LIP SEAL FOR PRODUCT - TEFLON</b>	<b>2</b>
	<i>AL10-SE06-S2</i>	<i>TRIPLE LIP SEAL FOR PRODUCT - TEFLON</i>	<i>2</i>



**Heating Jackets**

*Optional Items Shown in ITALICS*

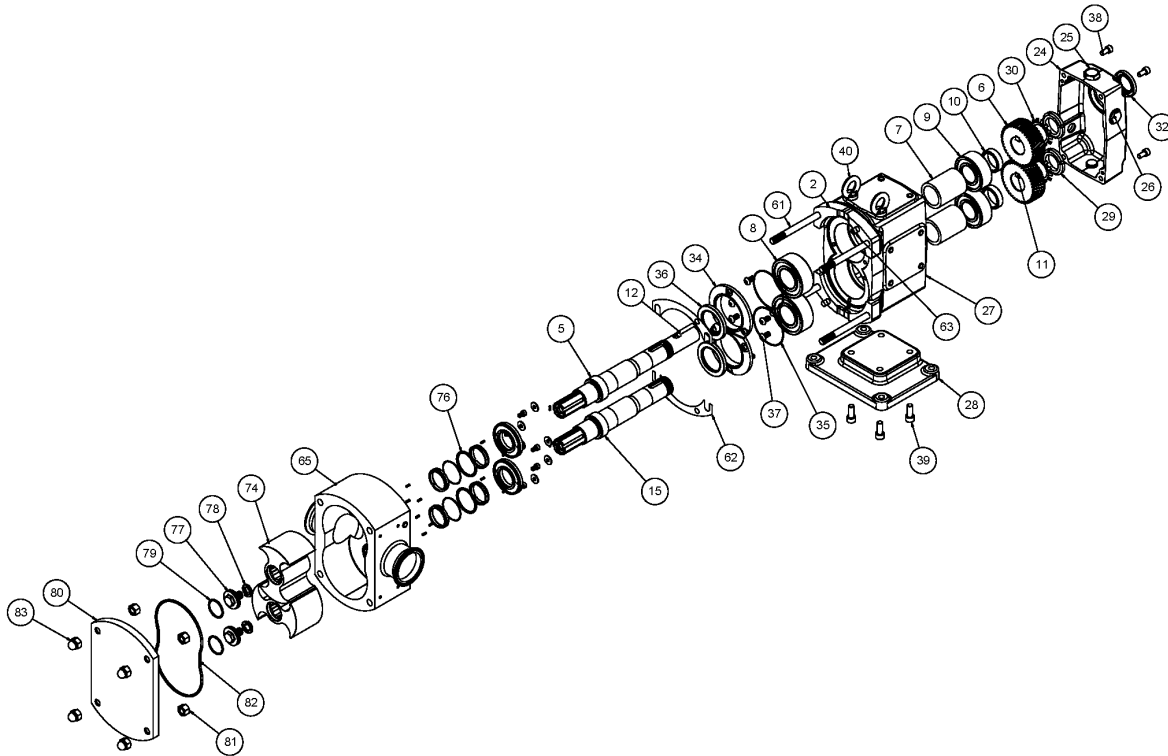
Ref #	Component Item No.	Description	Qty Per
141	AL10-FC07-SS	FRONT COVER WITH JACKET - AL15/20	1
142	AL10-HJ01-SS	CASE HEATING JACKET FOR BODY TOP - AL05/10/15	1
	AL10-HJ02-SS	CASE HEATING JACKET FOR BODY BOTTOM - AL05/10/15	1
143	AL10-HJ03-SS	CASE HEATING JACKET FOR TUBE ASS'Y - AL10	1
144	AL00-HJ01-SS	ELBOW,HEATING JCKT - AL	2



**Exploded View**

*Optional Items Shown in ITALICS*

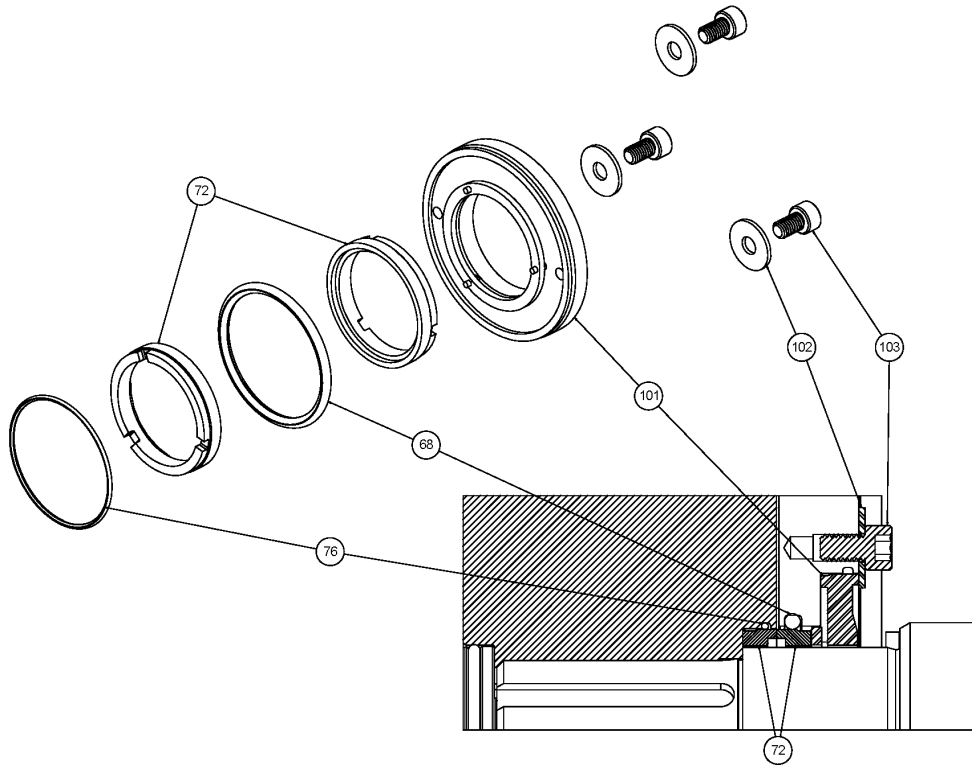
Ref #	Component Item No.	Description	Qty Per
2	AL10-GB03-SS	GEAR BOX - SS	1
5	AL10-SF01-SS	DRIVE SHAFT - AL05/10/15	1
6	AL10-HG01-CS	HELICAL GEAR - LEFT HAND	1
	AL10-HG02-CS	HELICAL GEAR - RIGHT HAND	1
7	AL10-BS01-CS	BEARING SPACER	2
8	AL10-BE01-CC	FRONT BEARING	2
9	AL10-BE02-CS	REAR BEARING	2
10	AL10-GS01-CS	GEAR SPACER	2
11	AL10-GK01-CS	GEAR KEY 8x7x17	2
12	AL10-SK02-CS	SHAFT KEY - 6x6x30	1
15	AL10-SF02-SS	SHORT SHAFT - AL05/10/15	1
24	AL10-GB04-SS	GEAR BOX COVER - SS	1
25	P1GX115798	HEX PLUG WITH NBR SEAL	2
26	P1GX115799	OIL LEVEL INDICATOR	2
27	AL10-PN05-SS	DOWEL FOR GEAR BOX	2
28	AL10-GB05-SS	GEAR BOX BASE - SS	1
29	AL10-LN01-CS	LOCK NUT	2
30	AL10-LW01-CS	LOCK WASHER	2
32	AL10-OS02-L3	REAR OIL SEAL - NBR	1
34	AL10-OS01-SS	OIL SEAL GLAND	2
35	N70035	O-RING FOR OIL SEAL GLAND - NBR	2
36	AL10-OS01-L3	FRONT OIL SEAL - NBR	2
37	AL10-BT01-SS	CAP SCREW FOR OIL SEAL GLAND	6
38	AL10-BT02-SS	CAP SCREW FOR GEAR BOX COVER	4
39	AL10-BT03-SS	CAP SCREW FOR GEAR BASE	4
40	AL10-BT04-SS	EYEBOLT	2
61	AL10-SB01-SS	CASE STUD BOLT - AL15	4



**Exploded View**

*Optional Items Shown in ITALICS*

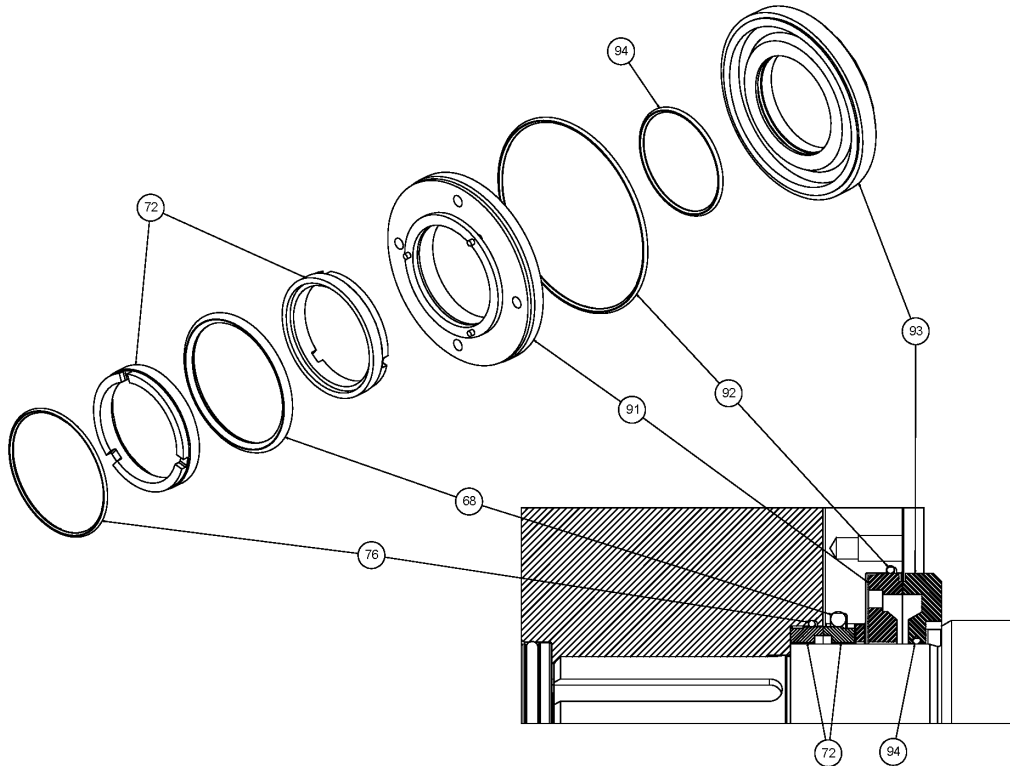
Ref #	Component Item No.	Description	Qty Per
62	AL10-SP01-SS-02	SHIM - 0.002" THICKNESS - AL100 SERIES	2
	AL10-SP01-SS-04	SHIM - 0.004" THICKNESS - AL100 SERIES	2
63	AL10-PN04-SS	DOWEL FOR CASE	2
65	AL10-RC47-SS	ROTOR CASE - AL15	1
74	AL10-RT12-SS-1	ROTOR BI-WING (TOP) - AL15	1
	AL10-RT12-SS-2	ROTOR BI-WING (SIDE) - AL15	1
	<i>AL10-RT12-SS-1H</i>	<i>ROTOR BI-WING (TOP) - AL15 - HOT</i>	1
	<i>AL10-RT12-SS-2H</i>	<i>ROTOR BI-WING (SIDE) - AL15 - HOT</i>	1
	<i>AL10-RT11-SS-1</i>	<i>ROTOR SINGLE-WING - AL15</i>	2
	<i>AL10-RT14-SS-1</i>	<i>ROTOR TRI-LOBE - AL15</i>	2
	<i>AL10-RT14-SS-1H</i>	<i>ROTOR TRI-LOBE - AL15 - HOT</i>	2
76	E70028	O-RING FOR ROTOR - EPDM	2
	<i>V70028</i>	<i>O-RING FOR ROTOR - VITON</i>	2
77	AL10-RB01-SS	ROTOR BOLT - (HEX HEAD)	2
	<i>AL10-RB02-SS</i>	<i>ROTOR BOLT - (SLOTTED) **Pressure Relief Cover Only</i>	2
78	AL10-SW01-SS	SPRING WASHER FOR ROTOR BOLT	2
79	E70021	O-RING FOR ROTOR BOLT - EPDM	2
	<i>V70021</i>	<i>O-RING FOR ROTOR BOLT - VITON</i>	2
80	AL10-FC02-SS	FRONT COVER - AL10	1
81	AL10-HN01-SS	HEX NUT/STUD BOLT LOCK	4
82	E70251	O-RING FOR FRONT COVER - AL15/20 - EPDM	1
	<i>V70251</i>	<i>O-RING FOR FRONT COVER - AL15/20 - VITON</i>	1
	<i>TE70251</i>	<i>O-RING FOR FRONT COVER - AL15/20 - TEFLON ENCAP</i>	1
83	AL10-CN01-SS	CAP NUT	4



**Single Mechanical Seal**

*Optional Items Shown in ITALICS*

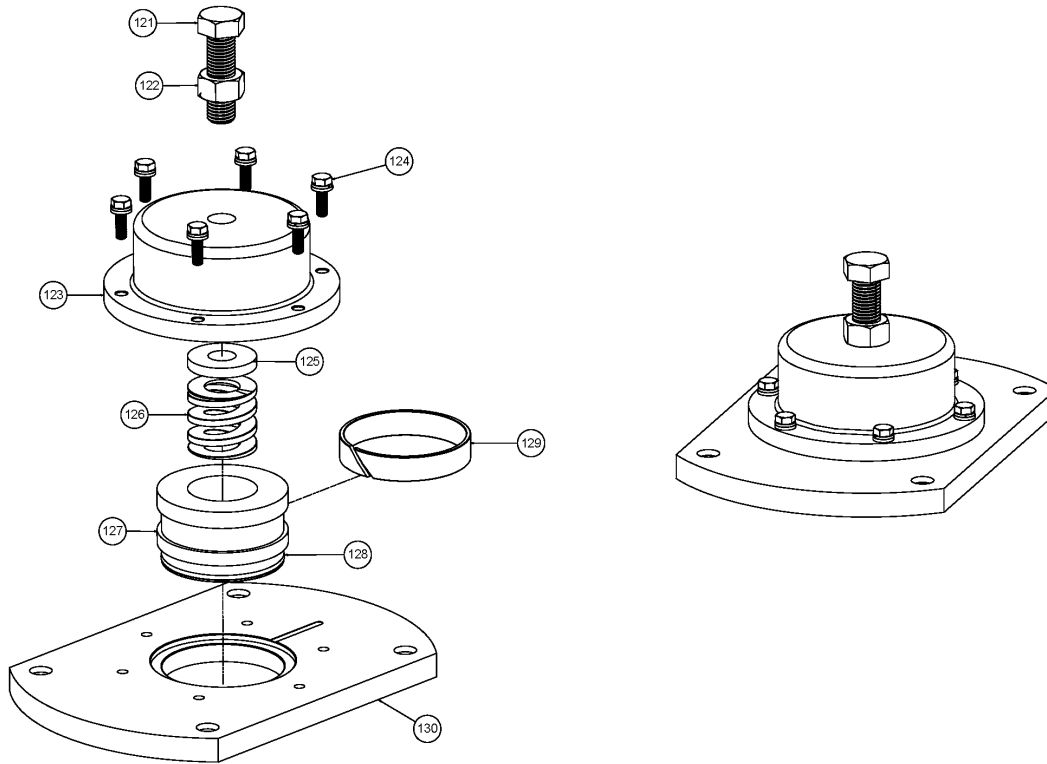
Ref #	Component Item No.	Description	Qty Per
68	<b>E70220</b>	<b>O-RING FOR ROTOR CASE - EPDM</b>	<b>2</b>
	<i>V70220</i>	<i>O-RING FOR ROTOR CASE - VITON</i>	<i>2</i>
72	<b>AL10-SE06-SS</b>	<b>SEAL/MECHANICAL SEAL RING - TC</b>	<b>4</b>
	<i>AL10-SE07-SS</i>	<i>SEAL/MECHANICAL SEAL RING - SC</i>	<i>4</i>
76	<b>E70028</b>	<b>O-RING FOR ROTOR - EPDM</b>	<b>2</b>
	<i>V70028</i>	<i>O-RING FOR ROTOR - VITON</i>	<i>2</i>
101	<b>AL10-SE01-S3</b>	<b>SEAL/SINGLE MECH SEAL BASE</b>	<b>2</b>
102	<b>AL00-WS01-SS</b>	<b>DIN M6 FENDER WASHER</b>	<b>4</b>
103	<b>AL00-BT01-SS</b>	<b>CAP SCREW FOR SEAL RETAINER</b>	<b>4</b>



**Double Mechanical Seal**

*Optional Items Shown in ITALICS*

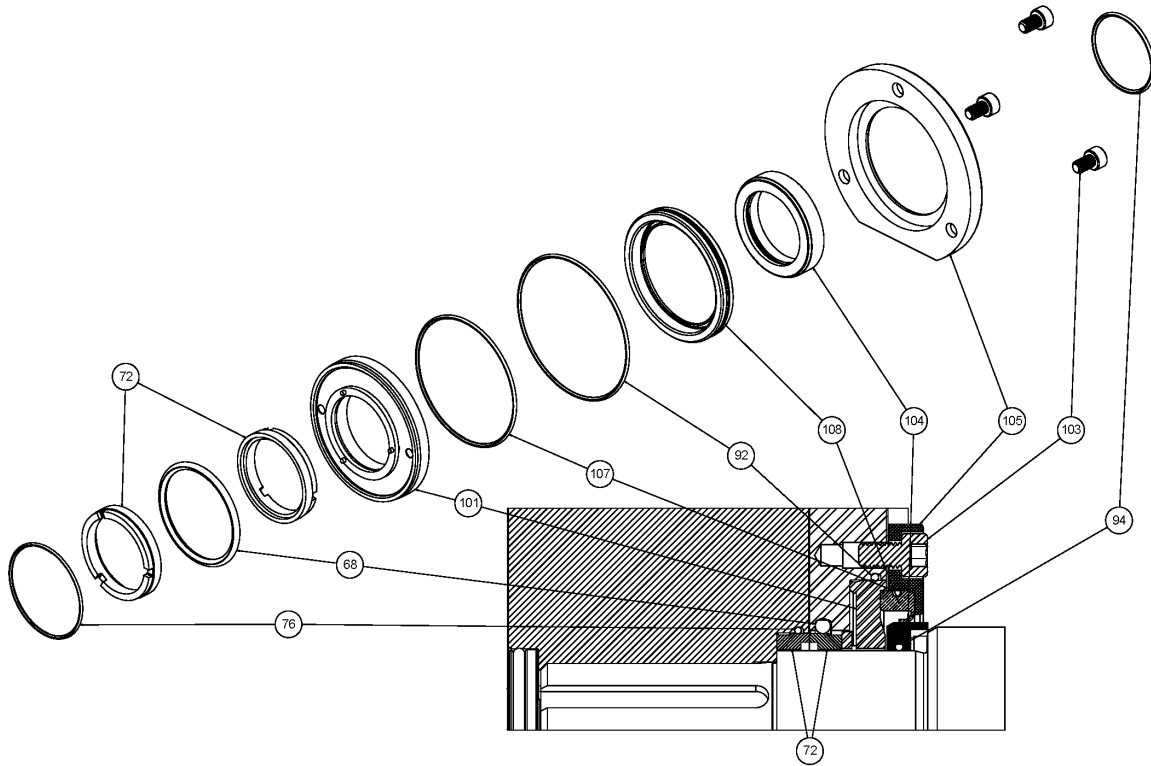
Ref #	Component Item No.	Description	Qty Per
68	<b>E70220</b>	<b>O-RING FOR ROTOR CASE - EPDM</b>	<b>2</b>
	<i>V70220</i>	<i>O-RING FOR ROTOR CASE - VITON</i>	<i>2</i>
72	<b>AL10-SE06-SS</b>	<b>SEAL/MECHANICAL SEAL RING - TC</b>	<b>4</b>
	<i>AL10-SE07-SS</i>	<i>SEAL/MECHANICAL SEAL RING - SC</i>	<i>4</i>
76	<b>E70028</b>	<b>O-RING FOR ROTOR - EPDM</b>	<b>2</b>
	<i>V70028</i>	<i>O-RING FOR ROTOR - VITON</i>	<i>2</i>
91	<b>AL10-SE01-S5</b>	<b>DOUBLE SEAL REAR BASE - SC</b>	<b>2</b>
	<i>AL10-SE01-S6</i>	<i>DOUBLE SEAL REAR BASE - TC</i>	<i>2</i>
92	<b>E70036</b>	<b>O-RING FOR DOUBLE SEAL CASE - EPDM</b>	<b>2</b>
	<i>V70036</i>	<i>O-RING FOR DOUBLE SEAL CASE - VITON</i>	<i>2</i>
93	<b>AL10-SE02-S2</b>	<b>SEAL/FLUSHED SEAL UNIT - SC</b>	<b>2</b>
	<i>AL10-SE02-S1</i>	<i>SEAL/FLUSHED SEAL UNIT - TC</i>	<i>2</i>
94	<b>E70023</b>	<b>O-RING FOR DOUBLE SEAL SHAFT - EPDM</b>	<b>2</b>
	<i>V70023</i>	<i>O-RING FOR DOUBLE SEAL SHAFT - VITON</i>	<i>2</i>



**Pressure Relief Cover**

*Optional Items Shown in ITALICS*

Ref #	Component Item No.	Description	Qty Per
77	AL10-RB02-SS	ROTOR BOLT - (SLOTTED) <b>**Not Shown Above</b>	2
121	GX5515150	ADJUSTING BOLT	1
122	GX5515000	LOCK NUT	1
123	AL10-RH01-SS	HOUSING FOR RELIEF VALVE	1
124	GX5512010	LOCK WASHER	4
	GX5512105	BOLT, HEX HEAD	4
125	AL10-RP02-SS	PISTON FOR ADJUSTING	1
126	AL10-RS03-CS	SPRING	1
127	AL10-RV01-SS	VALVE HEAD	1
128	E70138	O-RING - EPDM	1
	V70138	O-RING - VITON	1
129	E70134	O-RING - EPDM	1
	V70134	O-RING - VITON	1
130	AL10-FC04-SS	FRONT COVER FOR RELIEF VALVE - AL15/20	1

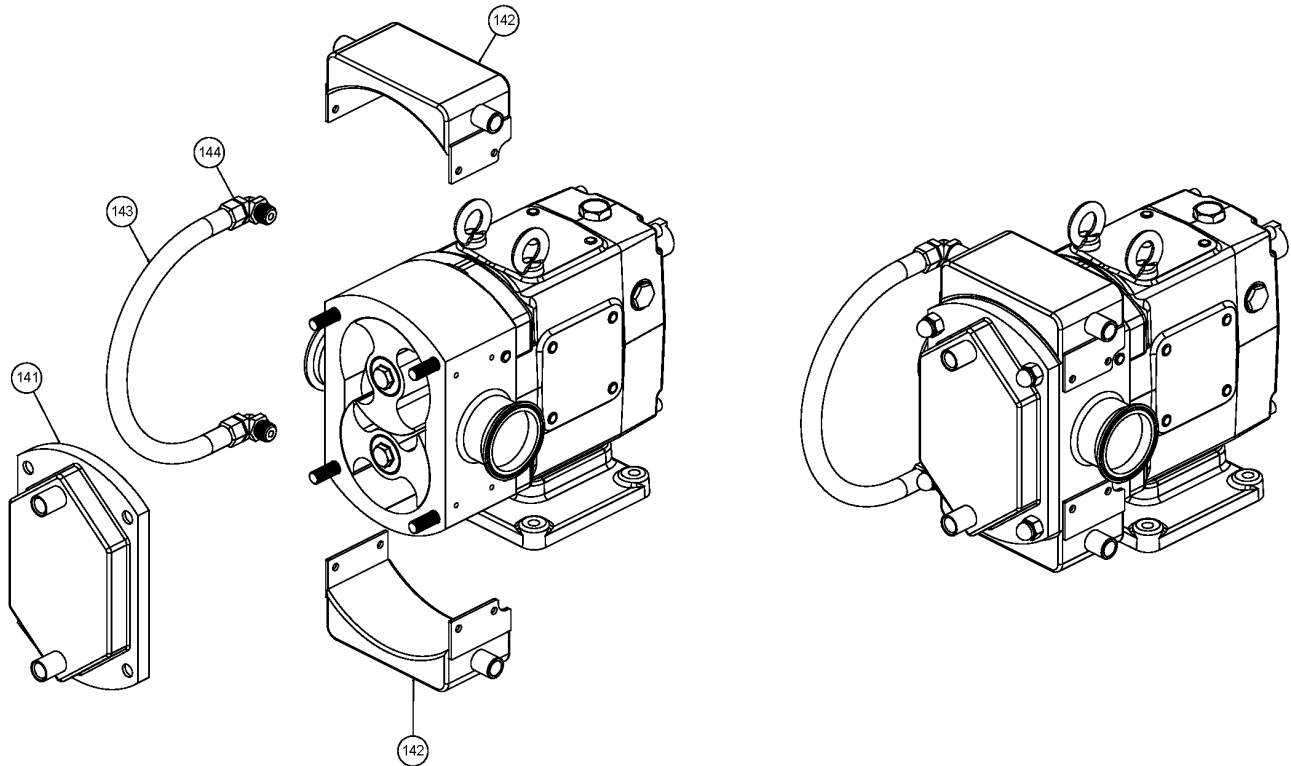


**Single Mechanical Seal with Flush**

*Optional Items Shown in ITALICS*

Ref #	Component Item No.	Description	Qty Per
68	<b>E70220</b>	<b>O-RING FOR ROTOR CASE - EPDM</b>	<b>2</b>
	<i>V70220</i>	<i>O-RING FOR ROTOR CASE - VITON</i>	<i>2</i>
72	<b>AL10-SE06-SS</b>	<b>SEAL/MECHANICAL SEAL RING - TC</b>	<b>4</b>
	<i>AL10-SE07-SS</i>	<i>SEAL/MECHANICAL SEAL RING - SC</i>	<i>4</i>
76	<b>E70028</b>	<b>O-RING FOR ROTOR - EPDM</b>	<b>2</b>
	<i>V70028</i>	<i>O-RING FOR ROTOR - VITON</i>	<i>2</i>
92	<b>E70036</b>	<b>O-RING FOR DOUBLE SEAL CASE - EPDM</b>	<b>2</b>
	<i>V70036</i>	<i>O-RING FOR DOUBLE SEAL CASE - VITON</i>	<i>2</i>
94	<b>E70023</b>	<b>O-RING FOR DOUBLE SEAL SHAFT - EPDM</b>	<b>2</b>
	<i>V70023</i>	<i>O-RING FOR DOUBLE SEAL SHAFT - VITON</i>	<i>2</i>
101	<b>AL10-SE01-S3</b>	<b>SEAL/SINGLE MECH SEAL BASE</b>	<b>2</b>
103	<b>AL00-BT01-SS</b>	<b>CAP SCREW FOR SEAL RETAINER</b>	<b>4</b>
104	<b>AL10-FL02-CE</b>	<b>CERMAIC SLEEVE FOR FLUSHING</b>	<b>2</b>
105	<b>AL10-FL03-SS</b>	<b>SS GLAND FOR FLUSHING</b>	<b>2</b>
107	<b>E70033</b>	<b>O-RING FOR FLUSHED LIP - EPDM</b>	<b>2</b>
	<i>V70033</i>	<i>O-RING FOR FLUSHED LIP - VITON</i>	<i>2</i>
108	<b>AL10-FL01-PF</b>	<b>PTFE - LIP SEAL FOR FLUSHING</b>	<b>2</b>

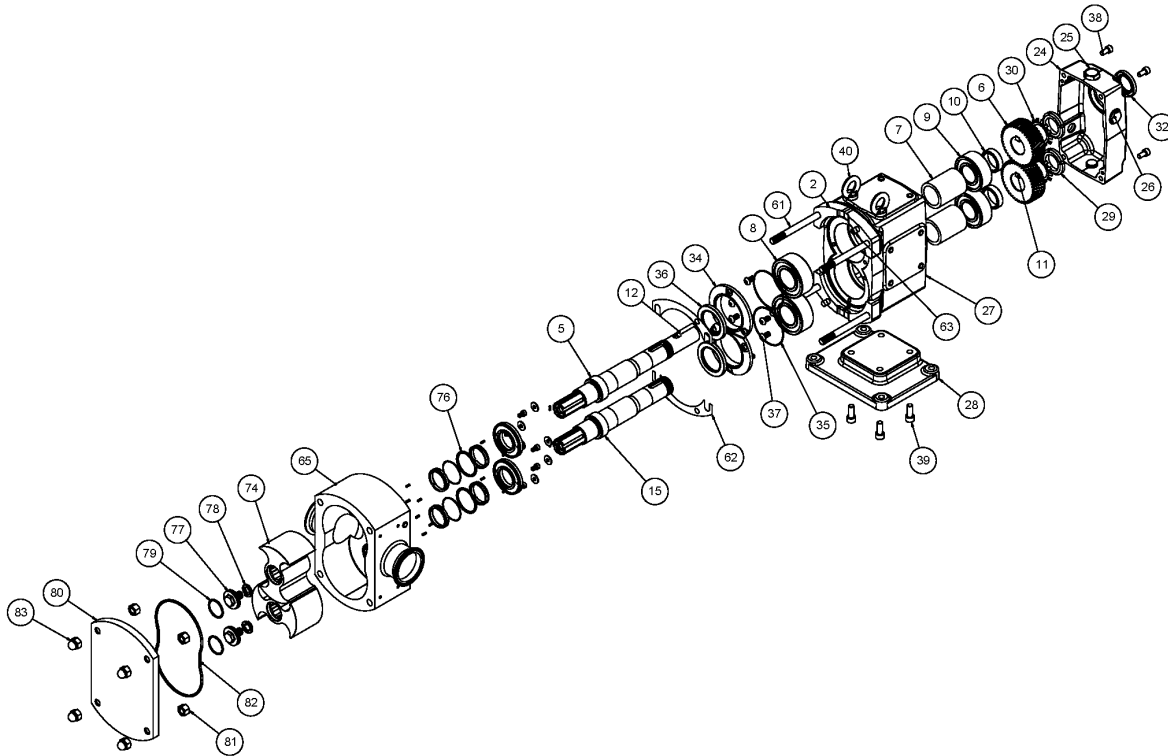




**Heating Jackets**

*Optional Items Shown in ITALICS*

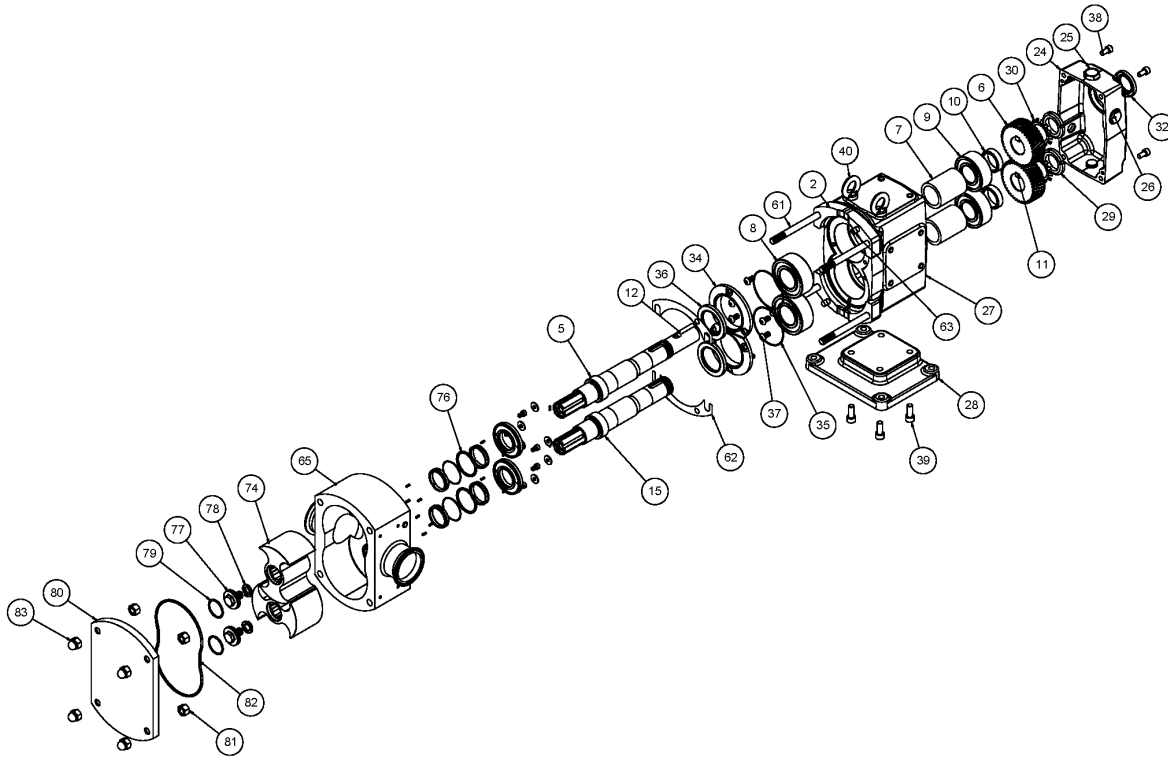
Ref #	Component Item No.	Description	Qty Per
141	AL10-FC07-SS	FRONT COVER WITH JACKET - AL15/20	1
142	AL10-HJ01-SS	CASE HEATING JACKET FOR BODY TOP - AL05/10/15	1
	AL10-HJ02-SS	CASE HEATING JACKET FOR BODY BOTTOM - AL05/10/15	1
143	AL10-HJ03-SS	CASE HEATING JACKET FOR TUBE ASS'Y - AL10	1
144	AL00-HJ01-SS	ELBOW,HEATING JCKT - AL	2



**Exploded View**

*Optional Items Shown in ITALICS*

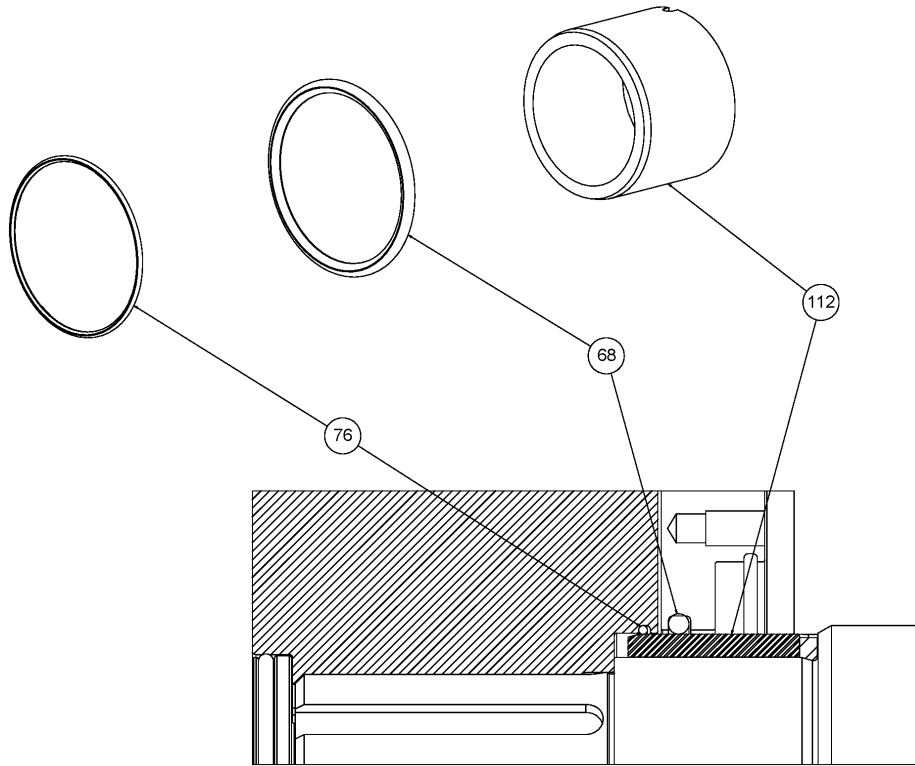
Ref #	Component Item No.	Description	Qty Per
2	AL10-GB03-SS	GEAR BOX - SS	1
5	AL10-SF01-SS	DRIVE SHAFT - AL05/10/15	1
6	AL10-HG01-CS	HELICAL GEAR - LEFT HAND	1
	AL10-HG02-CS	HELICAL GEAR - RIGHT HAND	1
7	AL10-BS01-CS	BEARING SPACER	2
8	AL10-BE01-CC	FRONT BEARING	2
9	AL10-BE02-CS	REAR BEARING	2
10	AL10-GS01-CS	GEAR SPACER	2
11	AL10-GK01-CS	GEAR KEY 8x7x17	2
12	AL10-SK02-CS	SHAFT KEY - 6x6x30	1
15	AL10-SF02-SS	SHORT SHAFT - AL05/10/15	1
24	AL10-GB04-SS	GEAR BOX COVER - SS	1
25	P1GX115798	HEX PLUG WITH NBR SEAL	2
26	P1GX115799	OIL LEVEL INDICATOR	2
27	AL10-PN05-SS	DOWEL FOR GEAR BOX	2
28	AL10-GB05-SS	GEAR BOX BASE - SS	1
29	AL10-LN01-CS	LOCK NUT	2
30	AL10-LW01-CS	LOCK WASHER	2
32	AL10-OS02-L3	REAR OIL SEAL - NBR	1
34	AL10-OS01-SS	OIL SEAL GLAND	2
35	N70035	O-RING FOR OIL SEAL GLAND - NBR	2
36	AL10-OS01-L3	FRONT OIL SEAL - NBR	2
37	AL10-BT01-SS	CAP SCREW FOR OIL SEAL GLAND	6
38	AL10-BT02-SS	CAP SCREW FOR GEAR BOX COVER	4
39	AL10-BT03-SS	CAP SCREW FOR GEAR BASE	4
40	AL10-BT04-SS	EYEBOLT	2
61	AL10-SB01-SS	CASE STUD BOLT - AL15	4



**Exploded View**

*Optional Items Shown in ITALICS*

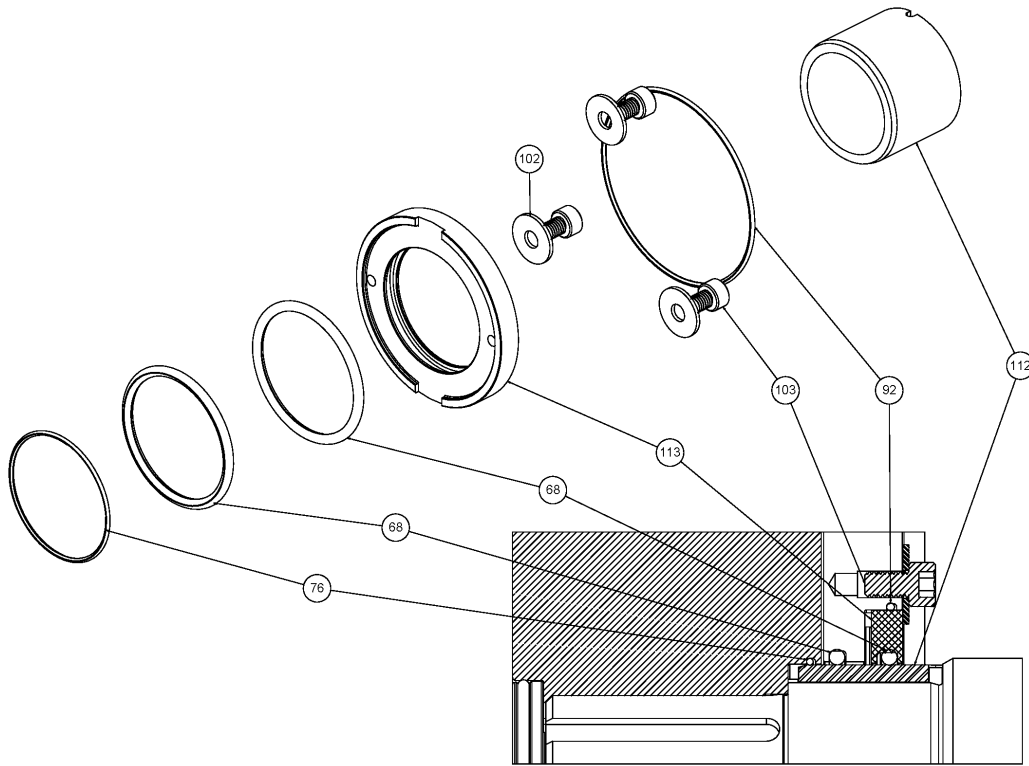
Ref #	Component Item No.	Description	Qty Per
62	AL10-SP01-SS-02	SHIM - 0.002" THICKNESS - AL100 SERIES	2
	AL10-SP01-SS-04	SHIM - 0.004" THICKNESS - AL100 SERIES	2
63	AL10-PN04-SS	DOWEL FOR CASE	2
65	AL10-RC47-SS	ROTOR CASE - AL15	1
74	AL10-RT12-SS-1	ROTOR BI-WING (TOP) - AL15	1
	AL10-RT12-SS-2	ROTOR BI-WING (SIDE) - AL15	1
	<i>AL10-RT12-SS-1H</i>	<i>ROTOR BI-WING (TOP) - AL15 - HOT</i>	1
	<i>AL10-RT12-SS-2H</i>	<i>ROTOR BI-WING (SIDE) - AL15 - HOT</i>	1
	<i>AL10-RT11-SS-1</i>	<i>ROTOR SINGLE-WING - AL15</i>	2
	<i>AL10-RT14-SS-1</i>	<i>ROTOR TRI-LOBE - AL15</i>	2
	<i>AL10-RT14-SS-1H</i>	<i>ROTOR TRI-LOBE - AL15 - HOT</i>	2
76	E70028	O-RING FOR ROTOR - EPDM	2
	<i>V70028</i>	<i>O-RING FOR ROTOR - VITON</i>	2
77	AL10-RB01-SS	ROTOR BOLT - (HEX HEAD)	2
	<i>AL10-RB02-SS</i>	<i>ROTOR BOLT - (SLOTTED) **Pressure Relief Cover Only</i>	2
78	AL10-SW01-SS	SPRING WASHER FOR ROTOR BOLT	2
79	E70021	O-RING FOR ROTOR BOLT - EPDM	2
	<i>V70021</i>	<i>O-RING FOR ROTOR BOLT - VITON</i>	2
80	AL10-FC02-SS	FRONT COVER - AL10	1
81	AL10-HN01-SS	HEX NUT/STUD BOLT LOCK	4
82	E70251	O-RING FOR FRONT COVER - AL15/20 - EPDM	1
	<i>V70251</i>	<i>O-RING FOR FRONT COVER - AL15/20 - VITON</i>	1
	<i>TE70251</i>	<i>O-RING FOR FRONT COVER - AL15/20 - TEFLON ENCAP</i>	1
83	AL10-CN01-SS	CAP NUT	4



**Single O-Ring Seal**

*Optional Items Shown in ITALICS*

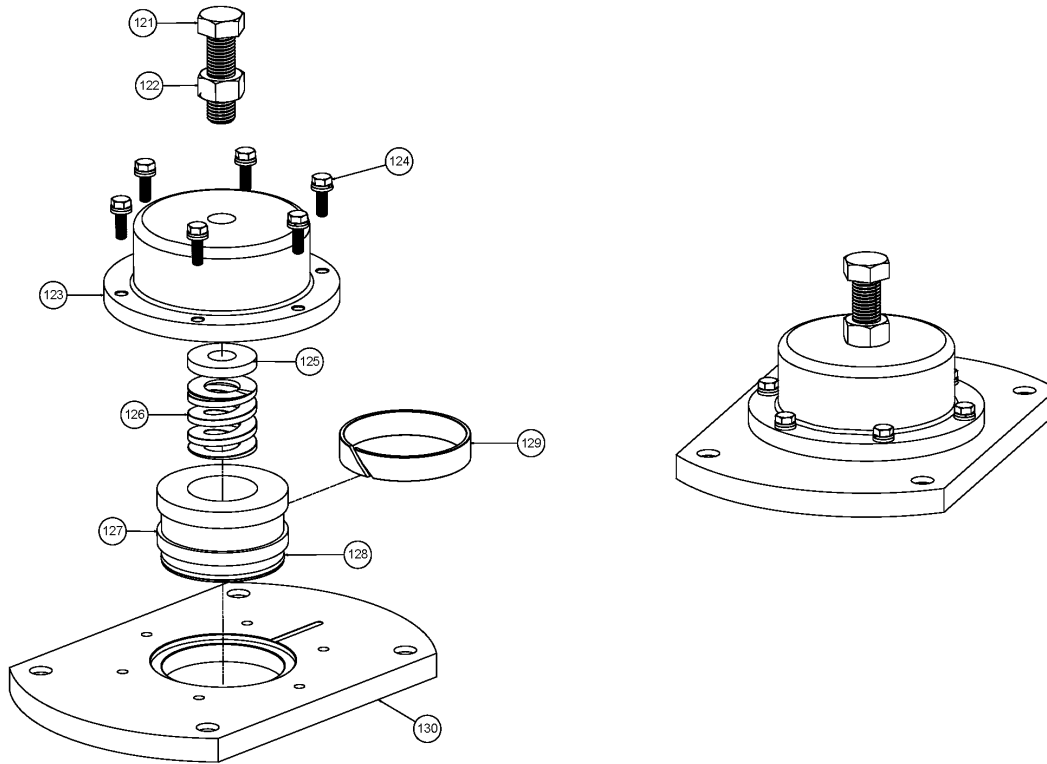
Ref #	Component Item No.	Description	Qty Per
68	<b>E70220</b>	<b>O-RING FOR ROTOR CASE - EPDM</b>	<b>2</b>
	<i>V70220</i>	<i>O-RING FOR ROTOR CASE - VITON</i>	<i>2</i>
76	<b>E70028</b>	<b>O-RING FOR ROTOR - EPDM</b>	<b>2</b>
	<i>V70028</i>	<i>O-RING FOR ROTOR - VITON</i>	<i>2</i>
112	<b>AL10-SE08-SS</b>	<b>SLEEVE, CHROME OXIDE COATED</b>	<b>2</b>
	<i>AL10-SE09-SS</i>	<i>SLEEVE, STAINLESS STEEL</i>	<i>2</i>
	<i>AL10-SE10-SS</i>	<i>SLEEVE, CERAMIC</i>	<i>2</i>



**Double O-Ring Seal**

*Optional Items Shown in ITALICS*

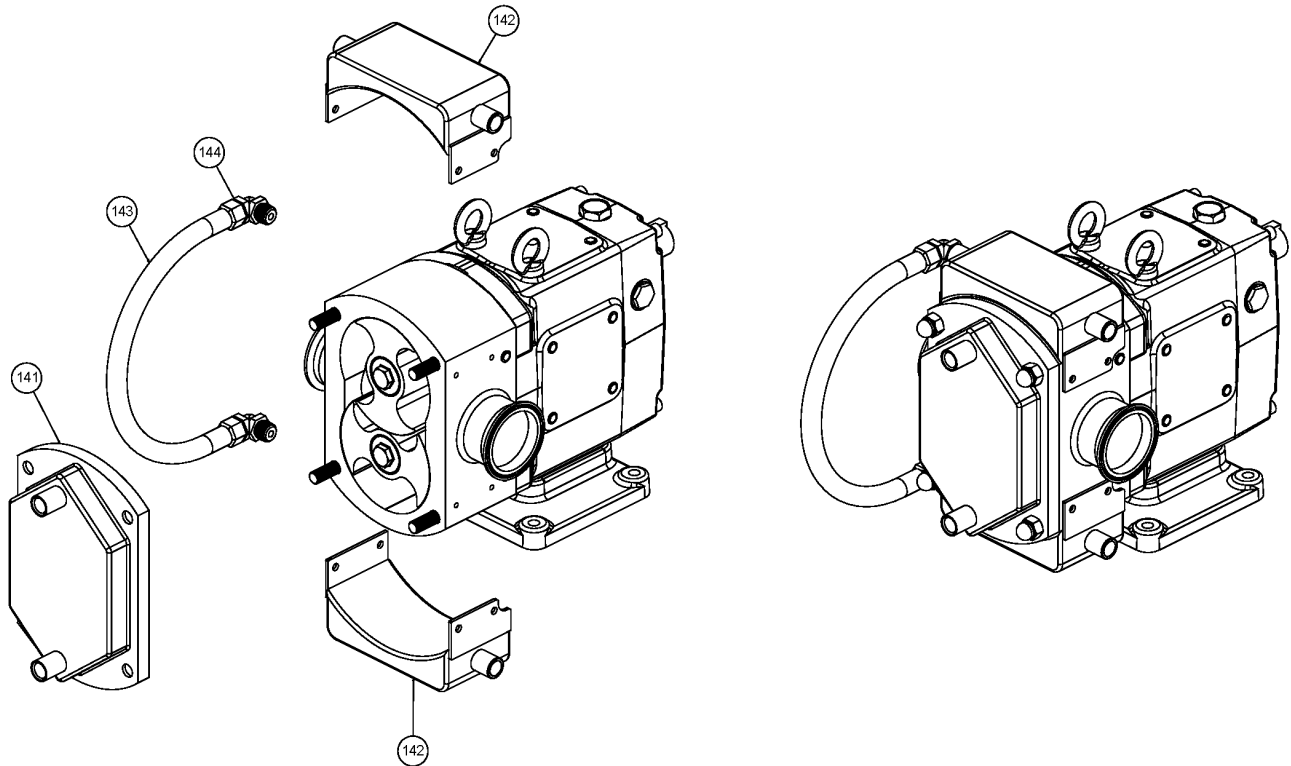
Ref #	Component Item No.	Description	Qty Per
68	<b>E70220</b>	<b>O-RING FOR ROTOR CASE - EPDM</b>	<b>4</b>
	<i>V70220</i>	<i>O-RING FOR ROTOR CASE - VITON</i>	<i>4</i>
76	<b>E70028</b>	<b>O-RING FOR ROTOR - EPDM</b>	<b>2</b>
	<i>V70028</i>	<i>O-RING FOR ROTOR - VITON</i>	<i>2</i>
92	<b>E70036</b>	<b>O-RING FOR DOUBLE SEAL CASE - EPDM</b>	<b>2</b>
	<b>V70036</b>	<b>O-RING FOR DOUBLE SEAL CASE - VITON</b>	<b>2</b>
102	<b>AL00-WS01-SS</b>	<b>DIN M6 FENDER WASHER</b>	<b>4</b>
103	<b>AL00-BT01-SS</b>	<b>CAP SCREW FOR SEAL RETAINER</b>	<b>4</b>
112	<b>AL10-SE08-SS</b>	<b>SLEEVE, CHROME OXIDE COATED</b>	<b>2</b>
	<i>AL10-SE09-SS</i>	<i>SLEEVE, STAINLESS STEEL</i>	<i>2</i>
	<i>AL10-SE10-SS</i>	<i>SLEEVE, CERAMIC</i>	<i>2</i>
113	<b>AL10-OS02-SS</b>	<b>SS GLAND FOR DOUBLE O-RING</b>	<b>2</b>



**Pressure Relief Cover**

*Optional Items Shown in ITALICS*

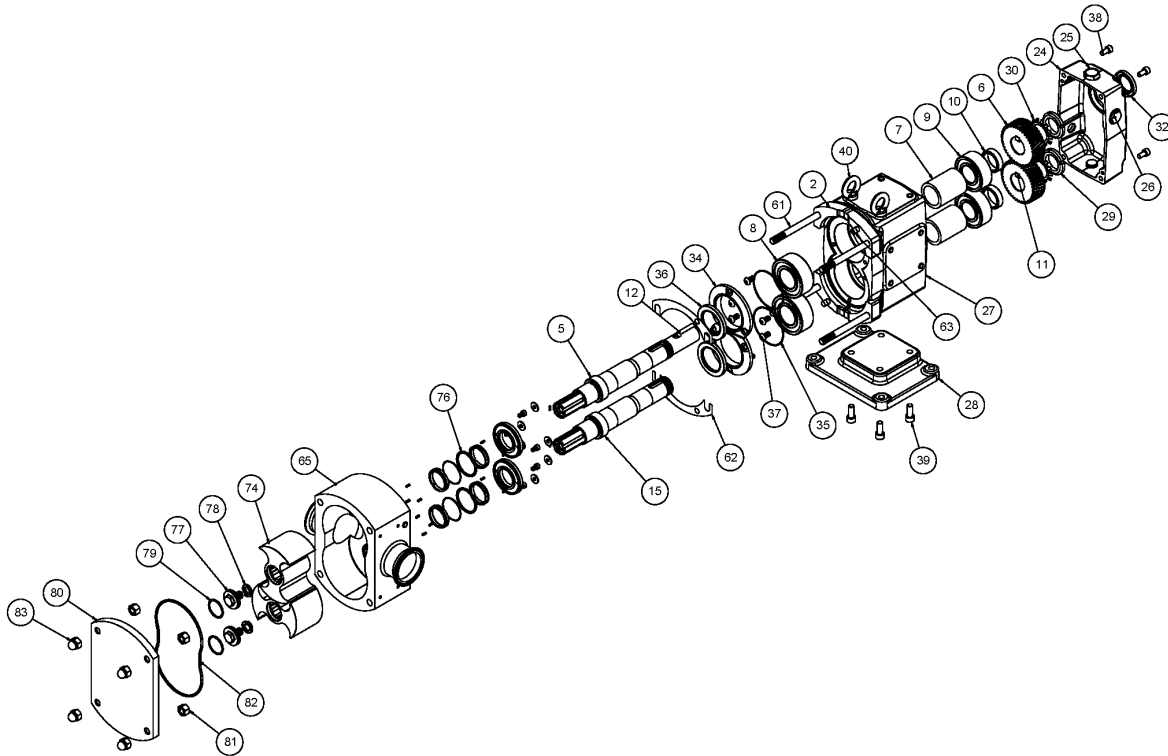
Ref #	Component Item No.	Description	Qty Per
77	AL10-RB02-SS	ROTOR BOLT - (SLOTTED) <b>**Not Shown Above</b>	2
121	GX5515150	ADJUSTING BOLT	1
122	GX5515000	LOCK NUT	1
123	AL10-RH01-SS	HOUSING FOR RELIEF VALVE	1
124	GX5512010	LOCK WASHER	4
	GX5512105	BOLT, HEX HEAD	4
125	AL10-RP02-SS	PISTON FOR ADJUSTING	1
126	AL10-RS03-CS	SPRING	1
127	AL10-RV01-SS	VALVE HEAD	1
128	E70138	O-RING - EPDM	1
	V70138	O-RING - VITON	1
129	E70134	O-RING - EPDM	1
	V70134	O-RING - VITON	1
130	AL10-FC04-SS	FRONT COVER FOR RELIEF VALVE - AL15/20	1



**Heating Jackets**

*Optional Items Shown in ITALICS*

Ref #	Component Item No.	Description	Qty Per
141	AL10-FC07-SS	FRONT COVER WITH JACKET - AL15/20	1
142	AL10-HJ01-SS	CASE HEATING JACKET FOR BODY TOP - AL05/10/15	1
	AL10-HJ02-SS	CASE HEATING JACKET FOR BODY BOTTOM - AL05/10/15	1
143	AL10-HJ03-SS	CASE HEATING JACKET FOR TUBE ASS'Y - AL10	1
144	AL00-HJ01-SS	ELBOW,HEATING JCKT - AL	2

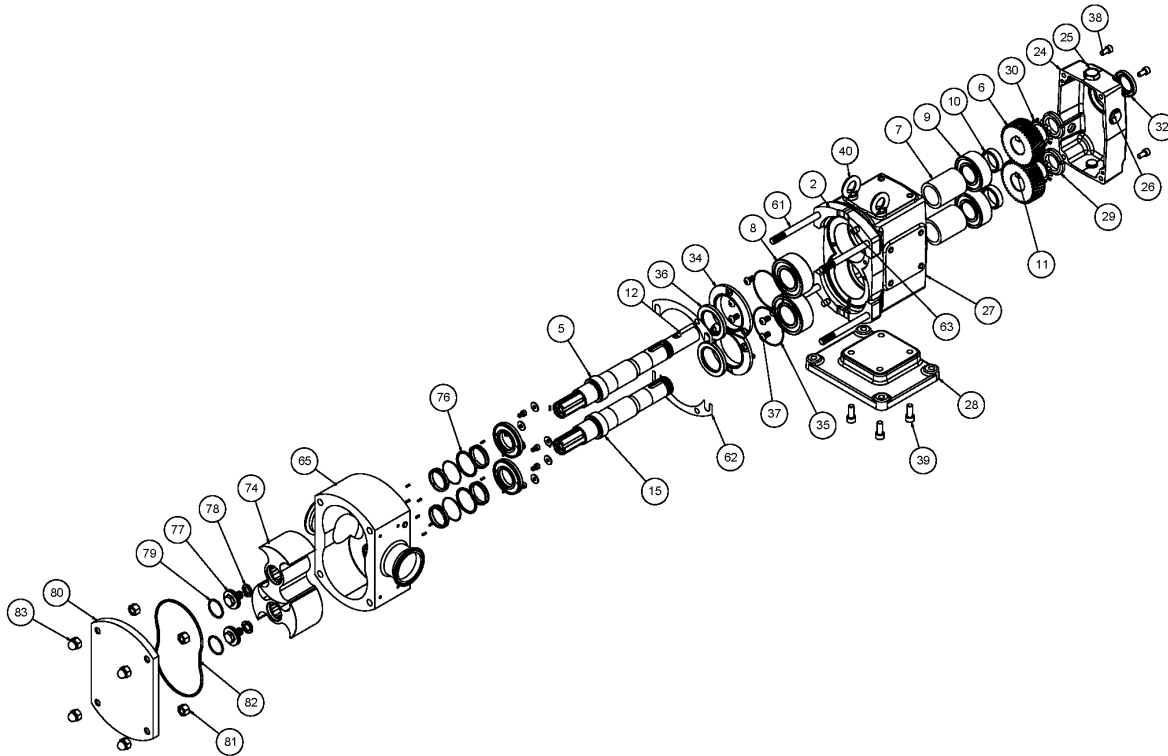


**Exploded View**

*Optional Items Shown in ITALICS*

Ref #	Component Item No.	Description	Qty Per
2	AL10-GB03-SS	GEAR BOX - SS	1
5	AL10-SF03-SS	DRIVE SHAFT - AL20	1
6	AL10-HG01-CS	HELICAL GEAR - LEFT HAND	1
	AL10-HG02-CS	HELICAL GEAR - RIGHT HAND	1
7	AL10-BS01-CS	BEARING SPACER	2
8	AL10-BE01-CC	FRONT BEARING	2
9	AL10-BE02-CS	REAR BEARING	2
10	AL10-GS01-CS	GEAR SPACER	2
11	AL10-GK01-CS	GEAR KEY 8x7x17	2
12	AL10-SK02-CS	SHAFT KEY - 6x6x30	1
15	AL10-SF04-SS	SHORT SHAFT - AL20	1
24	AL10-GB04-SS	GEAR BOX COVER - SS	1
25	P1GX115798	HEX PLUG WITH NBR SEAL	2
26	P1GX115799	OIL LEVEL INDICATOR	2
27	AL10-PN05-SS	DOWEL FOR GEAR BOX	2
28	AL10-GB05-SS	GEAR BOX BASE - SS	1
29	AL10-LN01-CS	LOCK NUT	2
30	AL10-LW01-CS	LOCK WASHER	2
32	AL10-OS02-L3	REAR OIL SEAL - NBR	1
34	AL10-OS01-SS	OIL SEAL GLAND	2
35	N70035	O-RING FOR OIL SEAL GLAND - NBR	2
36	AL10-OS01-L3	FRONT OIL SEAL - NBR	2
37	AL10-BT01-SS	CAP SCREW FOR OIL SEAL GLAND	6
38	AL10-BT02-SS	CAP SCREW FOR GEAR BOX COVER	4
39	AL10-BT03-SS	CAP SCREW FOR GEAR BASE	4
40	AL10-BT04-SS	EYEBOLT	2
61	AL10-SB02-SS	CASE STUD BOLT - AL20	4

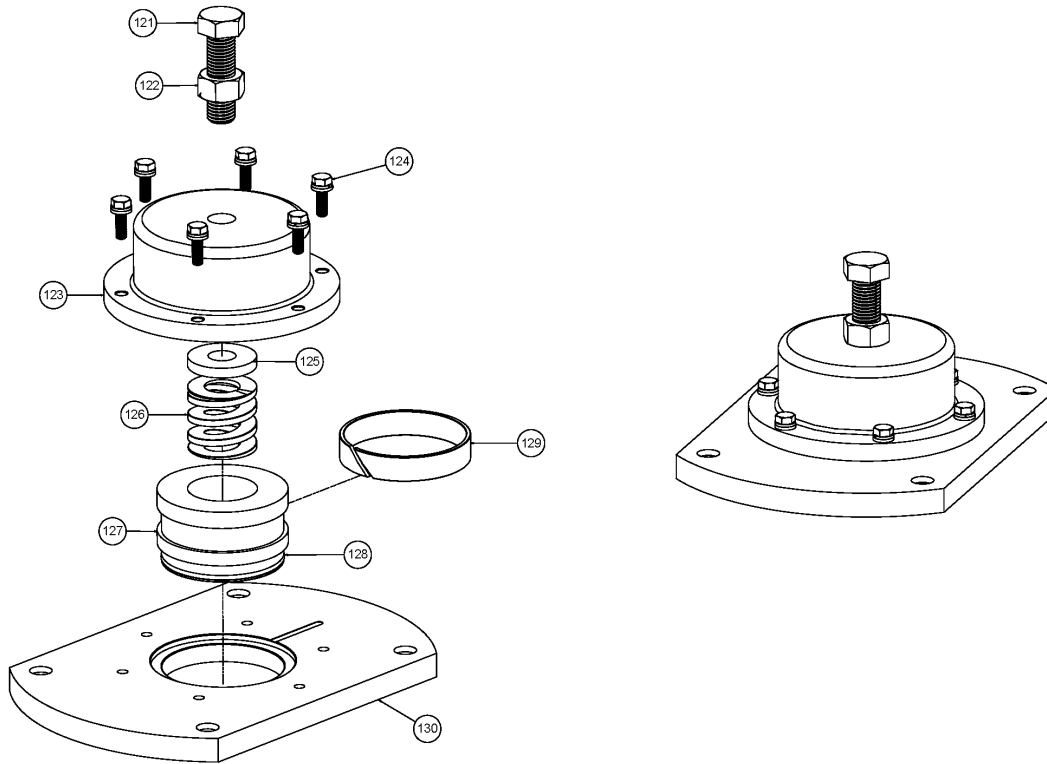




**Exploded View**

*Optional Items Shown in ITALICS*

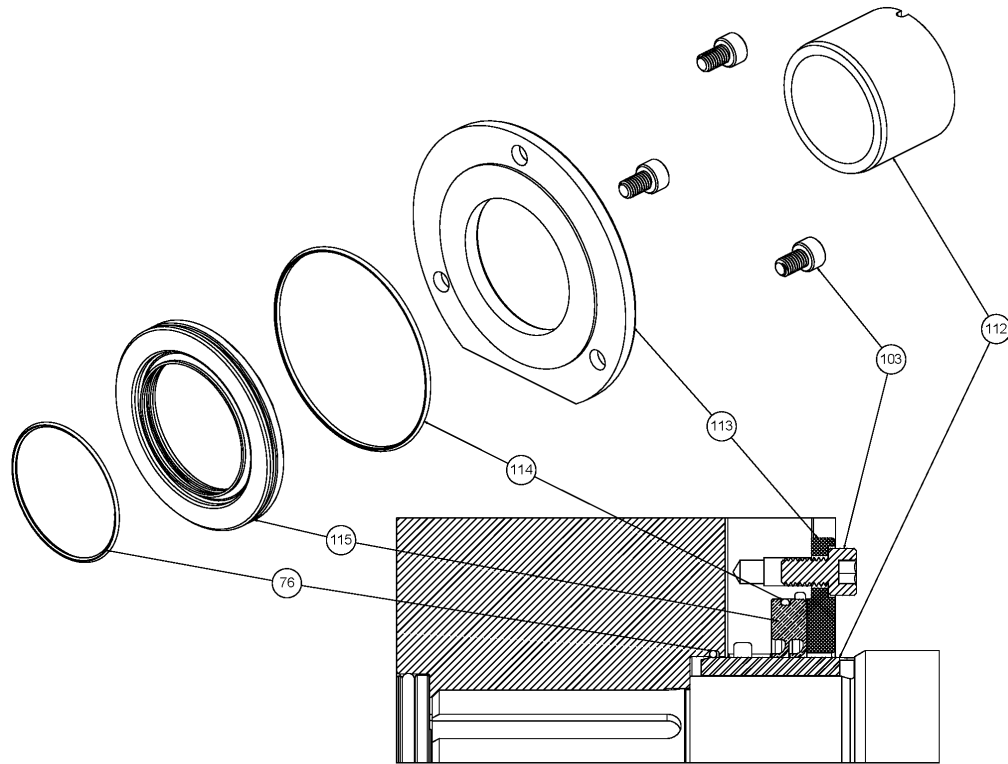
Ref #	Component Item No.	Description	Qty Per
62	AL10-SP01-SS-02	SHIM - 0.002" THICKNESS - AL100 SERIES	2
	AL10-SP01-SS-04	SHIM - 0.004" THICKNESS - AL100 SERIES	2
63	AL10-PN04-SS	DOWEL FOR CASE	2
65	AL10-RC67-SS	ROTOR CASE - AL20	1
74	AL10-RT17-SS-1	ROTOR BI-WING (TOP) - AL20	1
	AL10-RT17-SS-2	ROTOR BI-WING (SIDE) - AL20	1
	AL10-RT18-SS-1	ROTOR BI-WING (TOP) - AL20 - HOT	1
	AL10-RT18-SS-2	ROTOR BI-WING (SIDE) - AL20 - HOT	1
	AL10-RT16-SS-1	ROTOR SINGLE-WING - AL20	2
	AL10-RT19-SS-1	ROTOR TRI-LOBE - AL20	2
	AL10-RT19-SS-1H	ROTOR TRI-LOBE - AL20 - HOT	2
	AL10-RT20-SS-1	ROTOR MULTI-LOBE - AL20	2
76	E70028	O-RING FOR ROTOR - EPDM	2
	V70028	O-RING FOR ROTOR - VITON	2
77	AL10-RB01-SS	ROTOR BOLT - (HEX HEAD)	2
	AL10-RB02-SS	ROTOR BOLT - (SLOTTED) **Pressure Relief Cover Only	2
78	AL10-SW01-SS	SPRING WASHER FOR ROTOR BOLT	2
79	E70021	O-RING FOR ROTOR BOLT - EPDM	2
	V70021	O-RING FOR ROTOR BOLT - VITON	2
80	AL10-FC02-SS	FRONT COVER - AL15/20	1
81	AL10-HN01-SS	HEX NUT/STUD BOLT LOCK	4
82	E70251	O-RING FOR FRONT COVER - AL15/20 - EPDM	1
	V70251	O-RING FOR FRONT COVER - AL15/20 - VITON	1
	TE70251	O-RING FOR FRONT COVER - AL15/20 - TEFLON ENCAP	1
83	AL10-CN01-SS	CAP NUT	4



**Pressure Relief Cover**

*Optional Items Shown in ITALICS*

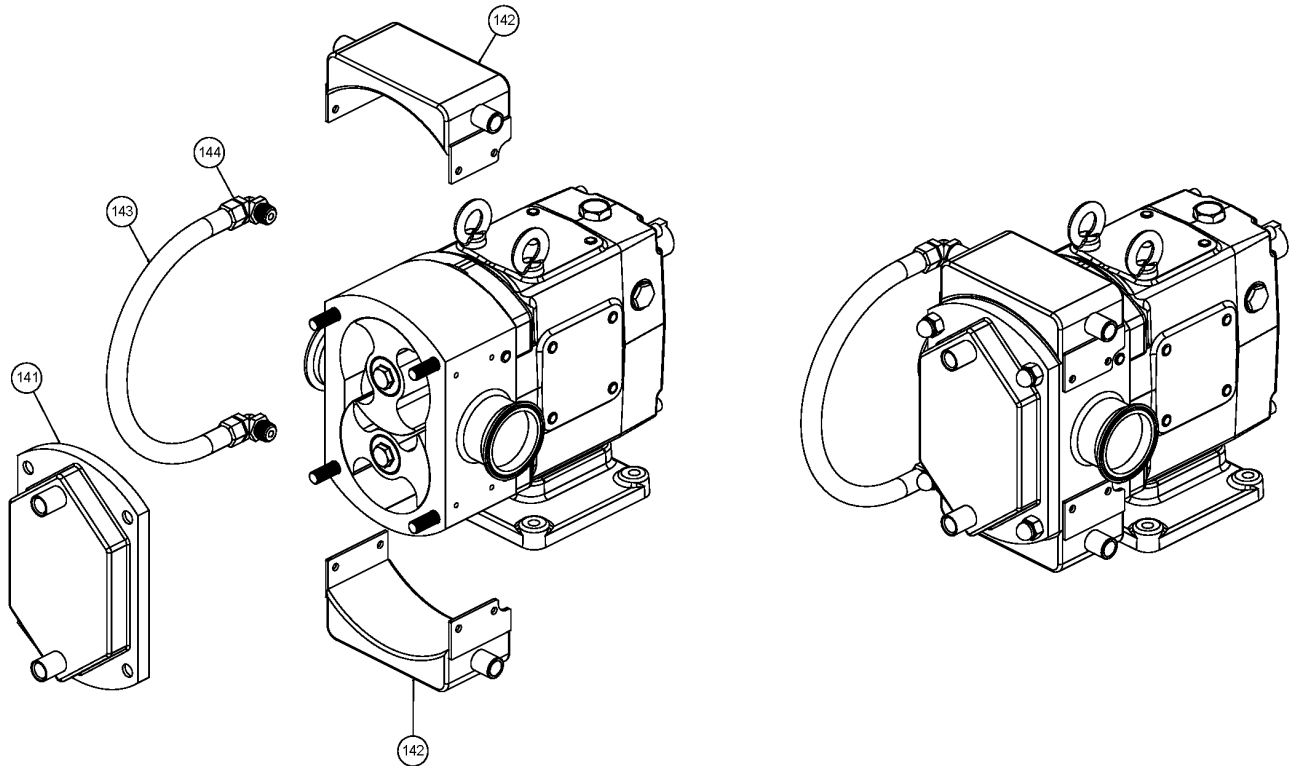
Ref #	Component Item No.	Description	Qty Per
77	AL10-RB02-SS	ROTOR BOLT - (SLOTTED) <b>**Not Shown Above</b>	2
124	GX5512010	LOCK WASHER	4
	GX5512105	BOLT, HEX HEAD	4
125	AL10-RP02-SS	PISTON FOR ADJUSTING	1
126	AL10-RS03-CS	SPRING	1
127	AL10-RV01-SS	VALVE HEAD	1
128	E70138	O-RING - EPDM	1
	V70138	O-RING - VITON	1
129	E70134	O-RING - EPDM	1
	V70134	O-RING - VITON	1
130	AL10-FC04-SS	FRONT COVER FOR RELIEF VALVE - AL15/20	1



**Lip Seal**

*Optional Items Shown in ITALICS*

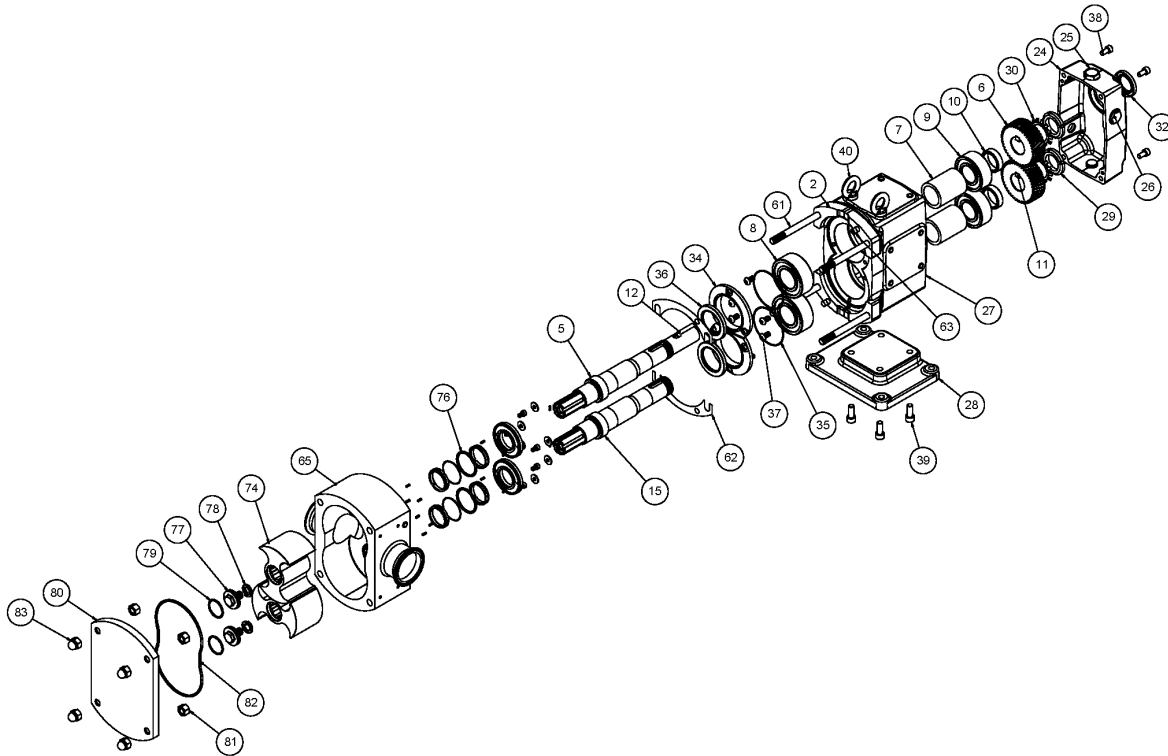
Ref #	Component Item No.	Description	Qty Per
76	<b>E70028</b>	<b>O-RING FOR ROTOR - EPDM</b>	<b>2</b>
	<i>V70028</i>	<i>O-RING FOR ROTOR - VITON</i>	<i>2</i>
103	<b>AL00-BT01-SS</b>	<b>CAP SCREW FOR SEAL RETAINER</b>	<b>4</b>
112	<b>AL10-SE08-SS</b>	<b>SLEEVE, CHROME OXIDE COATED</b>	<b>2</b>
	<i>AL10-SE09-SS</i>	<i>SLEEVE, STAINLESS STEEL</i>	<i>2</i>
	<i>AL10-SE10-SS</i>	<i>SLEEVE, CERAMIC</i>	<i>2</i>
113	<b>AL10-SE05-S3</b>	<b>SS GLAND FOR DOUBLE LIP SEAL FOR PRODUCT</b>	<b>2</b>
	<i>AL10-SE06-S3</i>	<i>SS GLAND FOR TRIPLE LIP SEAL FOR PRODUCT</i>	<i>2</i>
114	<i>V70139</i>	<i>O-RING, DOUBLE LIP SEAL - VITON</i>	<i>2</i>
115	<b>AL10-SE05-S2</b>	<b>DOUBLE LIP SEAL FOR PRODUCT - TEFLON</b>	<b>2</b>
	<i>AL10-SE06-S2</i>	<i>TRIPLE LIP SEAL FOR PRODUCT - TEFLON</i>	<i>2</i>



**Heating Jackets**

*Optional Items Shown in ITALICS*

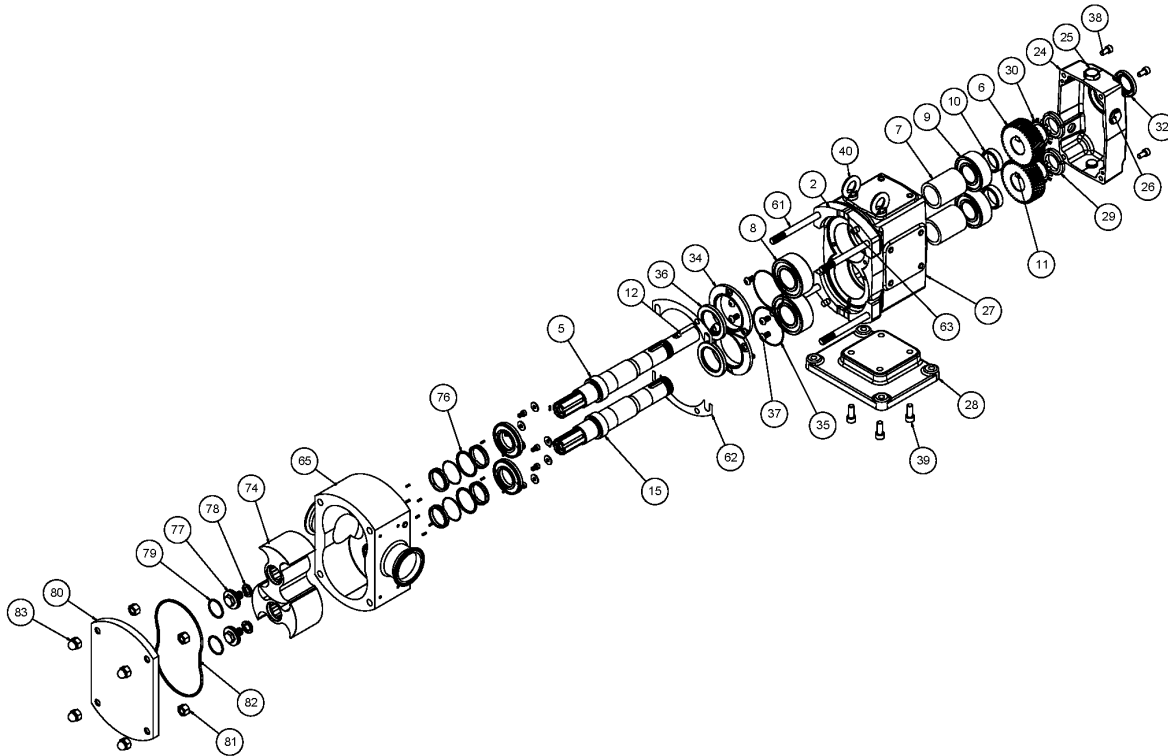
Ref #	Component Item No.	Description	Qty Per
141	AL10-FC07-SS	FRONT COVER WITH JACKET - AL15/20	1
142	AL10-HJ04-SS	CASE HEATING JACKET FOR BODY TOP - AL20	1
	AL10-HJ05-SS	CASE HEATING JACKET FOR BODY BOTTOM - AL20	1
143	AL10-HJ03-SS	CASE HEATING JACKET FOR TUBE ASS'Y - AL10	1
144	AL00-HJ01-SS	ELBOW,HEATING JCKT - AL	2



**Exploded View**

*Optional Items Shown in ITALICS*

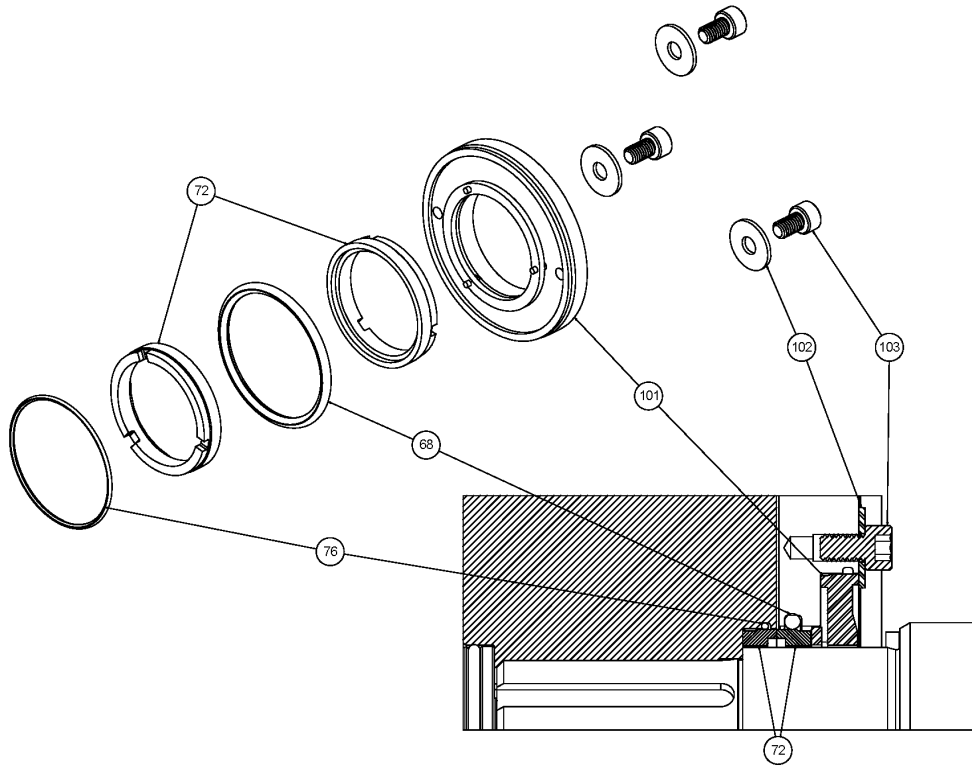
Ref #	Component Item No.	Description	Qty Per
2	AL10-GB03-SS	GEAR BOX - SS	1
5	AL10-SF03-SS	DRIVE SHAFT - AL20	1
6	AL10-HG01-CS	HELICAL GEAR - LEFT HAND	1
	AL10-HG02-CS	HELICAL GEAR - RIGHT HAND	1
7	AL10-BS01-CS	BEARING SPACER	2
8	AL10-BE01-CC	FRONT BEARING	2
9	AL10-BE02-CS	REAR BEARING	2
10	AL10-GS01-CS	GEAR SPACER	2
11	AL10-GK01-CS	GEAR KEY 8x7x17	2
12	AL10-SK02-CS	SHAFT KEY - 6x6x30	1
15	AL10-SF04-SS	SHORT SHAFT - AL20	1
24	AL10-GB04-SS	GEAR BOX COVER - SS	1
25	P1GX115798	HEX PLUG WITH NBR SEAL	2
26	P1GX115799	OIL LEVEL INDICATOR	2
27	AL10-PN05-SS	DOWEL FOR GEAR BOX	2
28	AL10-GB05-SS	GEAR BOX BASE - SS	1
29	AL10-LN01-CS	LOCK NUT	2
30	AL10-LW01-CS	LOCK WASHER	2
32	AL10-OS02-L3	REAR OIL SEAL - NBR	1
34	AL10-OS01-SS	OIL SEAL GLAND	2
35	N70035	O-RING FOR OIL SEAL GLAND - NBR	2
36	AL10-OS01-L3	FRONT OIL SEAL - NBR	2
37	AL10-BT01-SS	CAP SCREW FOR OIL SEAL GLAND	6
38	AL10-BT02-SS	CAP SCREW FOR GEAR BOX COVER	4
39	AL10-BT03-SS	CAP SCREW FOR GEAR BASE	4
40	AL10-BT04-SS	EYEBOLT	2
61	AL10-SB02-SS	CASE STUD BOLT - AL20	4



**Exploded View**

*Optional Items Shown in ITALICS*

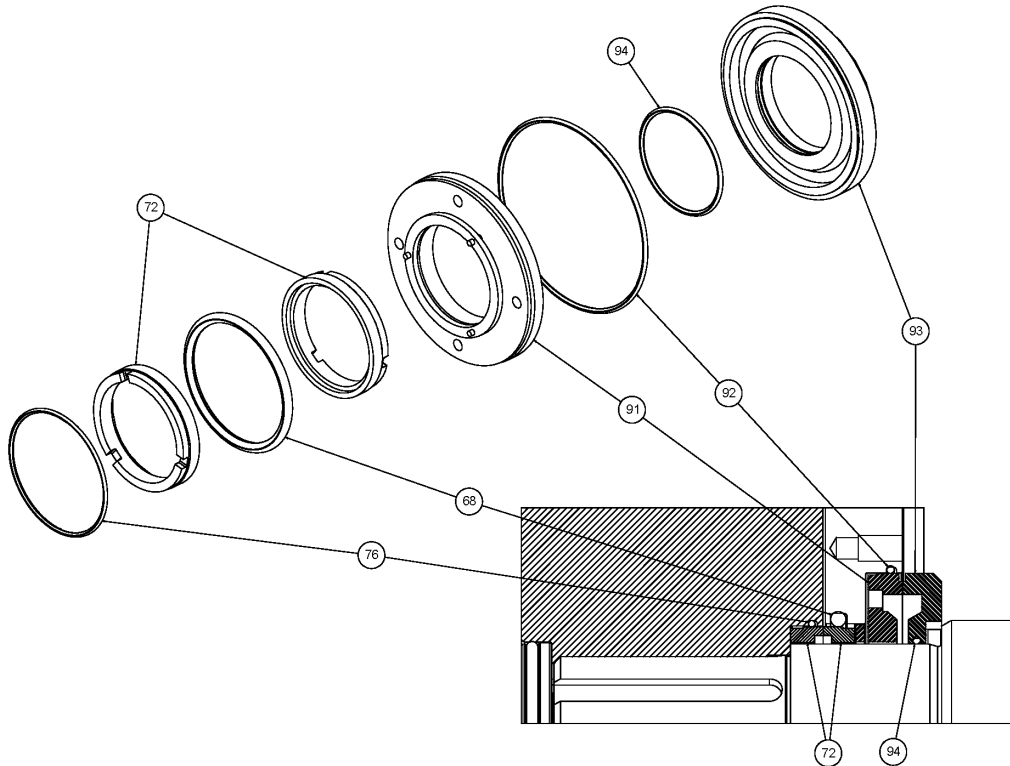
Ref #	Component Item No.	Description	Qty Per
62	AL10-SP01-SS-02	SHIM - 0.002" THICKNESS - AL100 SERIES	2
	AL10-SP01-SS-04	SHIM - 0.004" THICKNESS - AL100 SERIES	2
63	AL10-PN04-SS	DOWEL FOR CASE	2
65	AL10-RC67-SS	ROTOR CASE - AL20	1
74	AL10-RT17-SS-1	ROTOR BI-WING (TOP) - AL20	1
	AL10-RT17-SS-2	ROTOR BI-WING (SIDE) - AL20	1
	AL10-RT18-SS-1	ROTOR BI-WING (TOP) - AL20 - HOT	1
	AL10-RT18-SS-2	ROTOR BI-WING (SIDE) - AL20 - HOT	1
	AL10-RT16-SS-1	ROTOR SINGLE-WING - AL20	2
	AL10-RT19-SS-1	ROTOR TRI-LOBE - AL20	2
	AL10-RT19-SS-1H	ROTOR TRI-LOBE - AL20 - HOT	2
	AL10-RT20-SS-1	ROTOR MULTI-LOBE - AL20	2
76	E70028	O-RING FOR ROTOR - EPDM	2
	V70028	O-RING FOR ROTOR - VITON	2
77	AL10-RB01-SS	ROTOR BOLT - (HEX HEAD)	2
	AL10-RB02-SS	ROTOR BOLT - (SLOTTED) **Pressure Relief Cover Only	2
78	AL10-SW01-SS	SPRING WASHER FOR ROTOR BOLT	2
79	E70021	O-RING FOR ROTOR BOLT - EPDM	2
	V70021	O-RING FOR ROTOR BOLT - VITON	2
80	AL10-FC02-SS	FRONT COVER - AL15/20	1
81	AL10-HN01-SS	HEX NUT/STUD BOLT LOCK	4
82	E70251	O-RING FOR FRONT COVER - AL15/20 - EPDM	1
	V70251	O-RING FOR FRONT COVER - AL15/20 - VITON	1
	TE70251	O-RING FOR FRONT COVER - AL15/20 - TEFLON ENCAP	1
83	AL10-CN01-SS	CAP NUT	4



**Single Mechanical Seal**

*Optional Items Shown in ITALICS*

Ref #	Component Item No.	Description	Qty Per
68	<b>E70220</b>	<b>O-RING FOR ROTOR CASE - EPDM</b>	<b>2</b>
	<i>V70220</i>	<i>O-RING FOR ROTOR CASE - VITON</i>	<i>2</i>
72	<b>AL10-SE06-SS</b>	<b>SEAL/MECHANICAL SEAL RING - TC</b>	<b>4</b>
	<i>AL10-SE07-SS</i>	<i>SEAL/MECHANICAL SEAL RING - SC</i>	<i>4</i>
76	<b>E70028</b>	<b>O-RING FOR ROTOR - EPDM</b>	<b>2</b>
	<i>V70028</i>	<i>O-RING FOR ROTOR - VITON</i>	<i>2</i>
101	<b>AL10-SE01-S3</b>	<b>SEAL/SINGLE MECH SEAL BASE</b>	<b>2</b>
102	<b>AL00-WS01-SS</b>	<b>DIN M6 FENDER WASHER</b>	<b>4</b>
103	<b>AL00-BT01-SS</b>	<b>CAP SCREW FOR SEAL RETAINER</b>	<b>4</b>

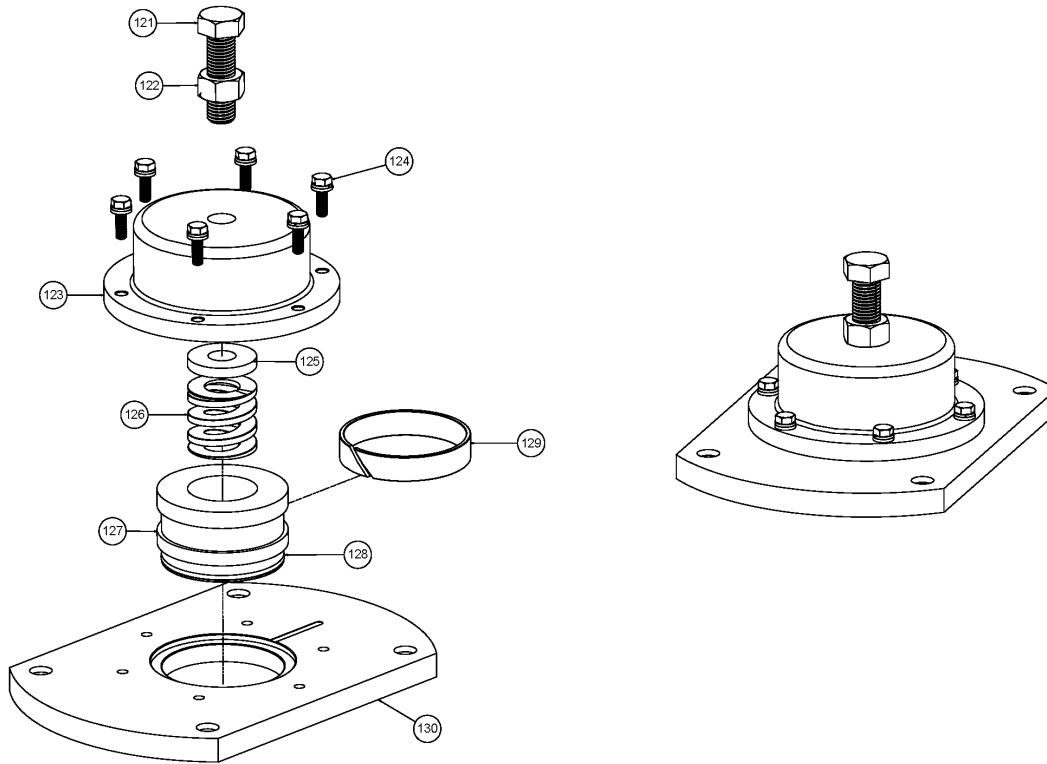


**Double Mechanical Seal**

*Optional Items Shown in ITALICS*

Ref #	Component Item No.	Description	Qty Per
68	<b>E70220</b>	<b>O-RING FOR ROTOR CASE - EPDM</b>	<b>2</b>
	<i>V70220</i>	<i>O-RING FOR ROTOR CASE - VITON</i>	<i>2</i>
72	<b>AL10-SE06-SS</b>	<b>SEAL/MECHANICAL SEAL RING - TC</b>	<b>4</b>
	<i>AL10-SE07-SS</i>	<i>SEAL/MECHANICAL SEAL RING - SC</i>	<i>4</i>
76	<b>E70028</b>	<b>O-RING FOR ROTOR - EPDM</b>	<b>2</b>
	<i>V70028</i>	<i>O-RING FOR ROTOR - VITON</i>	<i>2</i>
91	<b>AL10-SE01-S5</b>	<b>DOUBLE SEAL REAR BASE - SC</b>	<b>2</b>
	<i>AL10-SE01-S6</i>	<i>DOUBLE SEAL REAR BASE - TC</i>	<i>2</i>
92	<b>E70036</b>	<b>O-RING FOR DOUBLE SEAL CASE - EPDM</b>	<b>2</b>
	<i>V70036</i>	<i>O-RING FOR DOUBLE SEAL CASE - VITON</i>	<i>2</i>
93	<b>AL10-SE02-S2</b>	<b>SEAL/FLUSHED SEAL UNIT - SC</b>	<b>2</b>
	<i>AL10-SE02-S1</i>	<i>SEAL/FLUSHED SEAL UNIT - TC</i>	<i>2</i>
94	<b>E70023</b>	<b>O-RING FOR DOUBLE SEAL SHAFT - EPDM</b>	<b>2</b>
	<i>V70023</i>	<i>O-RING FOR DOUBLE SEAL SHAFT - VITON</i>	<i>2</i>

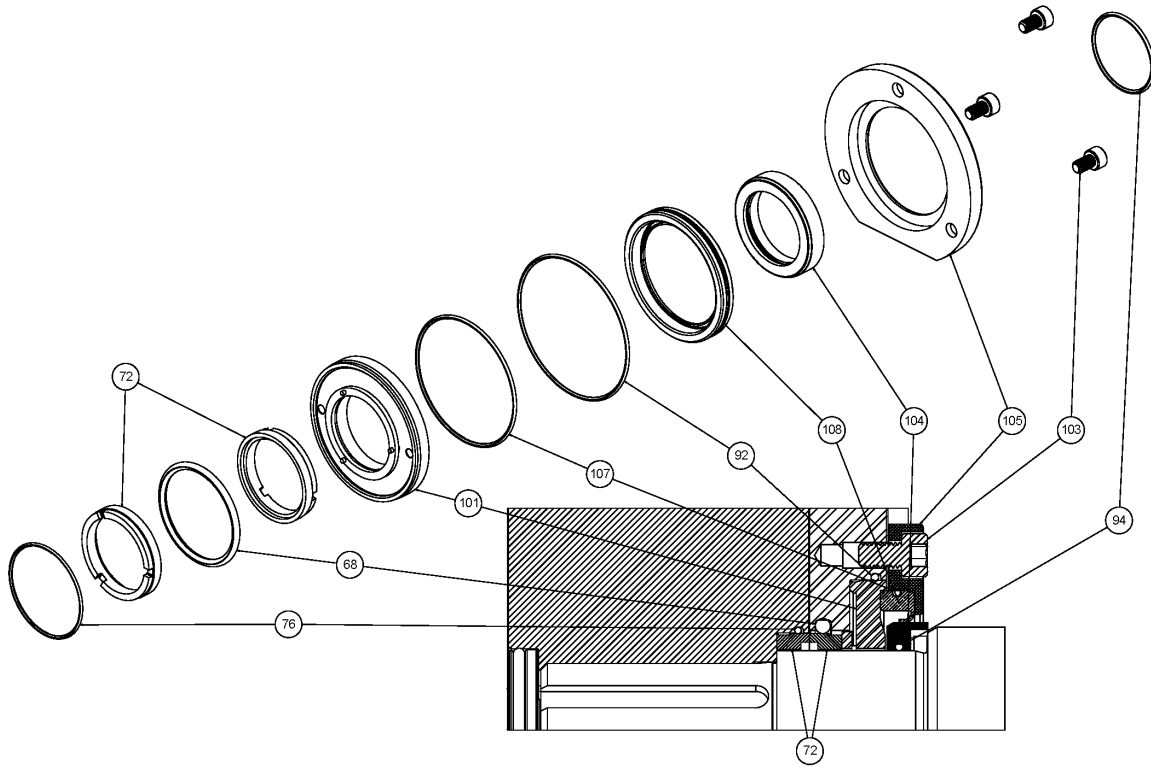




**Pressure Relief Cover**

*Optional Items Shown in ITALICS*

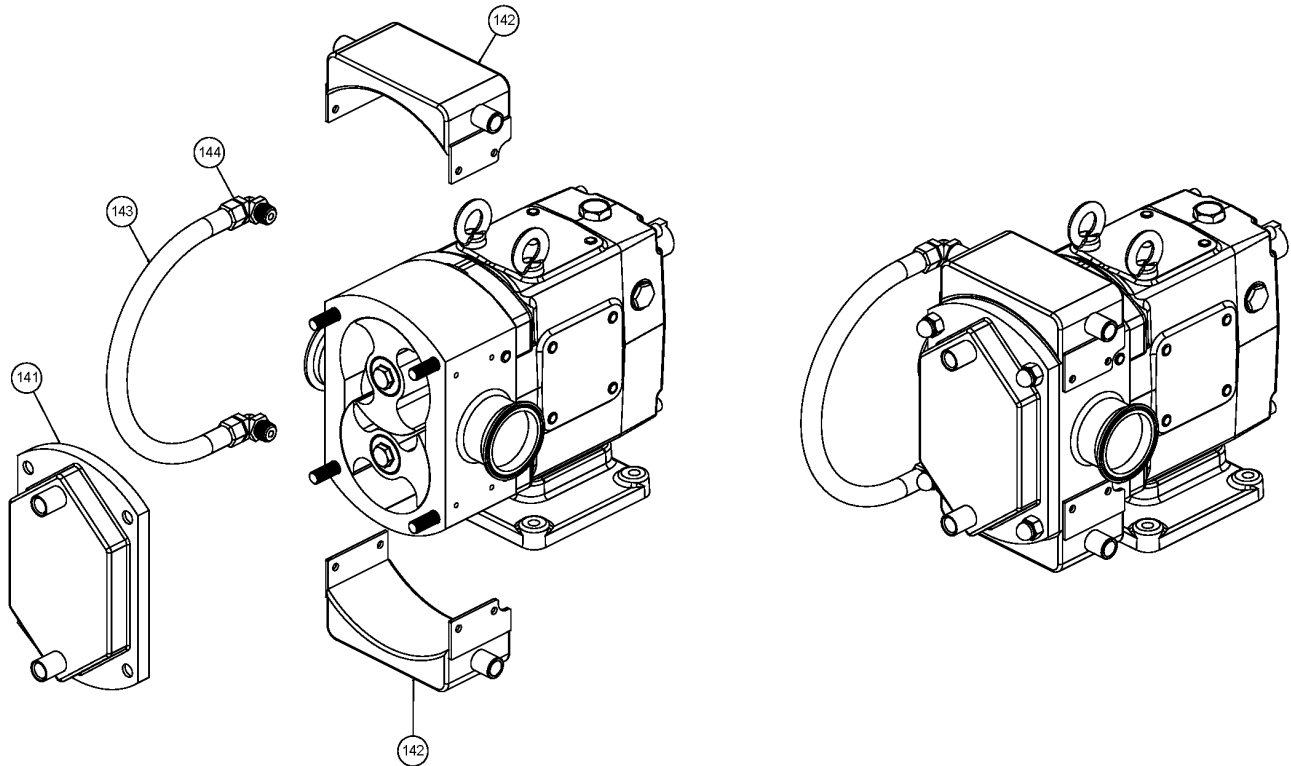
Ref #	Component Item No.	Description	Qty Per
77	AL10-RB02-SS	ROTOR BOLT - (SLOTTED) <b>**Not Shown Above</b>	2
121	GX5515150	ADJUSTING BOLT	1
122	GX5515000	LOCK NUT	1
123	AL10-RH01-SS	HOUSING FOR RELIEF VALVE	1
124	GX5512010	LOCK WASHER	4
	GX5512105	BOLT, HEX HEAD	4
125	AL10-RP02-SS	PISTON FOR ADJUSTING	1
126	AL10-RS03-CS	SPRING	1
127	AL10-RV01-SS	VALVE HEAD	1
128	E70138	O-RING - EPDM	1
	V70138	O-RING - VITON	1
129	E70134	O-RING - EPDM	1
	V70134	O-RING - VITON	1
130	AL10-FC04-SS	FRONT COVER FOR RELIEF VALVE - AL15/20	1



**Single Mechanical Seal with Flush**

*Optional Items Shown in ITALICS*

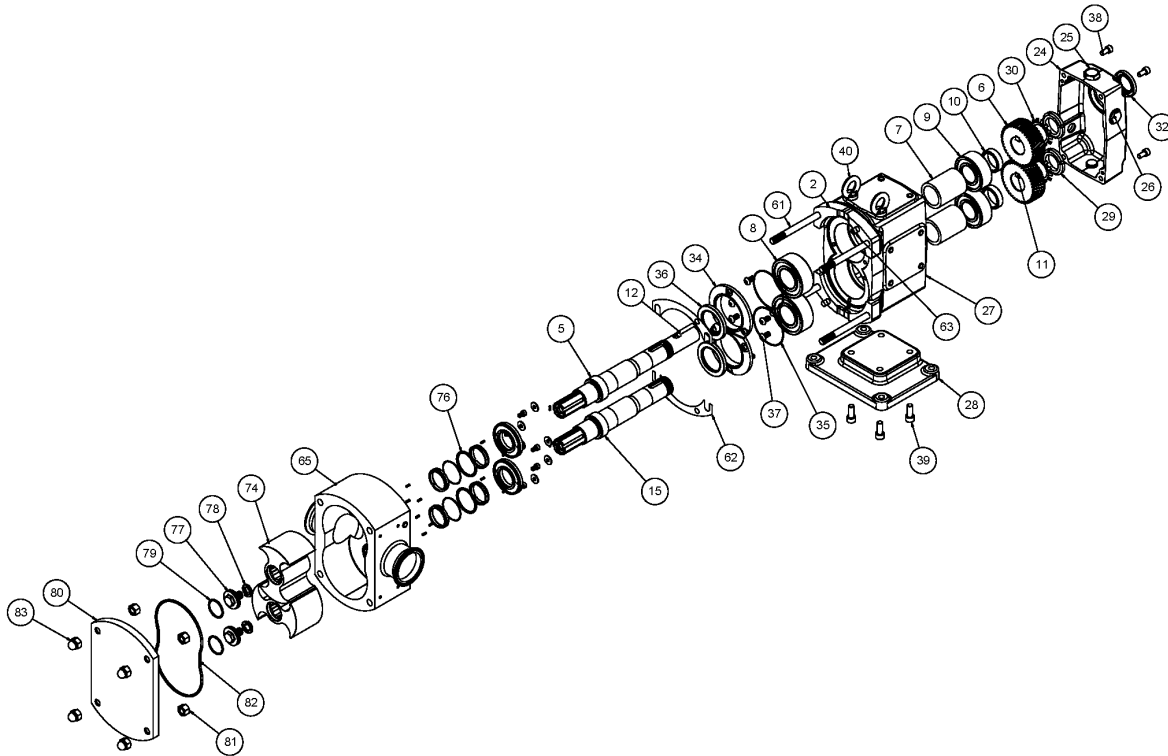
Ref #	Component Item No.	Description	Qty Per
68	<b>E70220</b>	<b>O-RING FOR ROTOR CASE - EPDM</b>	<b>2</b>
	<i>V70220</i>	<i>O-RING FOR ROTOR CASE - VITON</i>	<i>2</i>
72	<b>AL10-SE06-SS</b>	<b>SEAL/MECHANICAL SEAL RING - TC</b>	<b>4</b>
	<i>AL10-SE07-SS</i>	<i>SEAL/MECHANICAL SEAL RING - SC</i>	<i>4</i>
76	<b>E70028</b>	<b>O-RING FOR ROTOR - EPDM</b>	<b>2</b>
	<i>V70028</i>	<i>O-RING FOR ROTOR - VITON</i>	<i>2</i>
92	<b>E70036</b>	<b>O-RING FOR DOUBLE SEAL CASE - EPDM</b>	<b>2</b>
	<i>V70036</i>	<i>O-RING FOR DOUBLE SEAL CASE - VITON</i>	<i>2</i>
94	<b>E70023</b>	<b>O-RING FOR DOUBLE SEAL SHAFT - EPDM</b>	<b>2</b>
	<i>V70023</i>	<i>O-RING FOR DOUBLE SEAL SHAFT - VITON</i>	<i>2</i>
101	<b>AL10-SE01-S3</b>	<b>SEAL/SINGLE MECH SEAL BASE</b>	<b>2</b>
103	<b>AL00-BT01-SS</b>	<b>CAP SCREW FOR SEAL RETAINER</b>	<b>4</b>
104	<b>AL10-FL02-CE</b>	<b>CERMAIC SLEEVE FOR FLUSHING</b>	<b>2</b>
105	<b>AL10-FL03-SS</b>	<b>SS GLAND FOR FLUSHING</b>	<b>2</b>
107	<b>E70033</b>	<b>O-RING FOR FLUSHED LIP - EPDM</b>	<b>2</b>
	<i>V70033</i>	<i>O-RING FOR FLUSHED LIP - VITON</i>	<i>2</i>
108	<b>AL10-FL01-PF</b>	<b>PTFE - LIP SEAL FOR FLUSHING</b>	<b>2</b>



**Heating Jackets**

*Optional Items Shown in ITALICS*

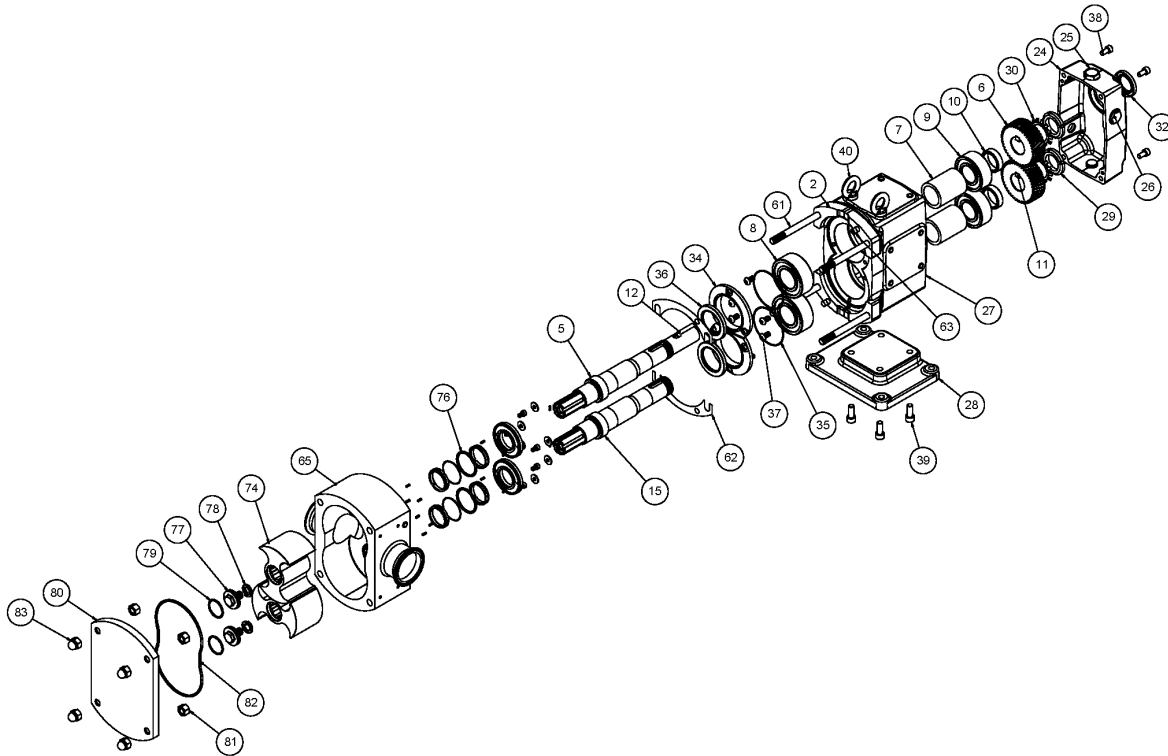
Ref #	Component Item No.	Description	Qty Per
141	AL10-FC07-SS	FRONT COVER WITH JACKET - AL15/20	1
142	AL10-HJ04-SS	CASE HEATING JACKET FOR BODY TOP - AL20	1
	AL10-HJ05-SS	CASE HEATING JACKET FOR BODY BOTTOM - AL20	1
143	AL10-HJ03-SS	CASE HEATING JACKET FOR TUBE ASS'Y - AL10	1
144	AL00-HJ01-SS	ELBOW,HEATING JCKT - AL	2



**Exploded View**

*Optional Items Shown in ITALICS*

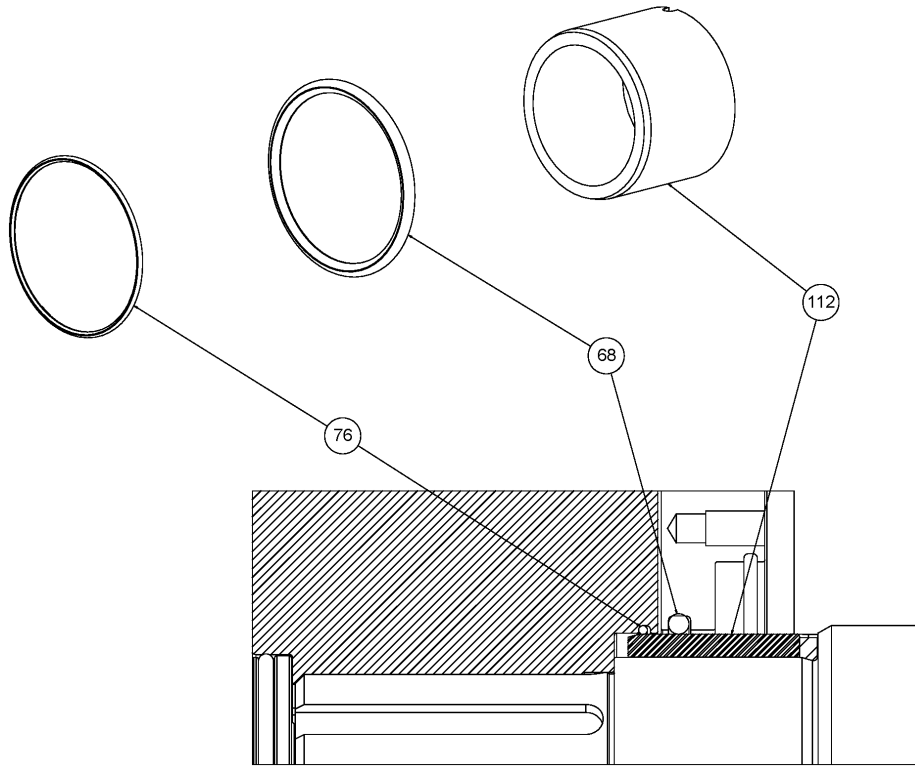
Ref #	Component Item No.	Description	Qty Per
2	AL10-GB03-SS	GEAR BOX - SS	1
5	AL10-SF03-SS	DRIVE SHAFT - AL20	1
6	AL10-HG01-CS	HELICAL GEAR - LEFT HAND	1
	AL10-HG02-CS	HELICAL GEAR - RIGHT HAND	1
7	AL10-BS01-CS	BEARING SPACER	2
8	AL10-BE01-CC	FRONT BEARING	2
9	AL10-BE02-CS	REAR BEARING	2
10	AL10-GS01-CS	GEAR SPACER	2
11	AL10-GK01-CS	GEAR KEY 8x7x17	2
12	AL10-SK02-CS	SHAFT KEY - 6x6x30	1
15	AL10-SF04-SS	SHORT SHAFT - AL20	1
24	AL10-GB04-SS	GEAR BOX COVER - SS	1
25	P1GX115798	HEX PLUG WITH NBR SEAL	2
26	P1GX115799	OIL LEVEL INDICATOR	2
27	AL10-PN05-SS	DOWEL FOR GEAR BOX	2
28	AL10-GB05-SS	GEAR BOX BASE - SS	1
29	AL10-LN01-CS	LOCK NUT	2
30	AL10-LW01-CS	LOCK WASHER	2
32	AL10-OS02-L3	REAR OIL SEAL - NBR	1
34	AL10-OS01-SS	OIL SEAL GLAND	2
35	N70035	O-RING FOR OIL SEAL GLAND - NBR	2
36	AL10-OS01-L3	FRONT OIL SEAL - NBR	2
37	AL10-BT01-SS	CAP SCREW FOR OIL SEAL GLAND	6
38	AL10-BT02-SS	CAP SCREW FOR GEAR BOX COVER	4
39	AL10-BT03-SS	CAP SCREW FOR GEAR BASE	4
40	AL10-BT04-SS	EYEBOLT	2
61	AL10-SB02-SS	CASE STUD BOLT - AL20	4



**Exploded View**

*Optional Items Shown in ITALICS*

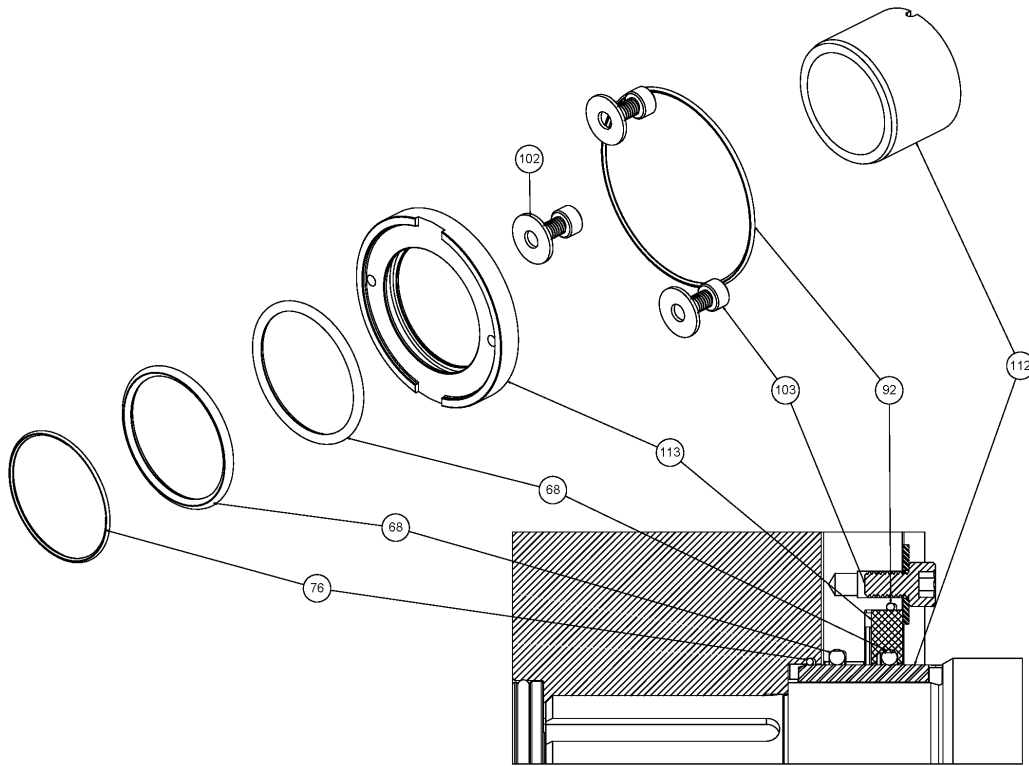
Ref #	Component Item No.	Description	Qty Per
62	AL10-SP01-SS-02	SHIM - 0.002" THICKNESS - AL100 SERIES	2
	AL10-SP01-SS-04	SHIM - 0.004" THICKNESS - AL100 SERIES	2
63	AL10-PN04-SS	DOWEL FOR CASE	2
65	AL10-RC67-SS	ROTOR CASE - AL20	1
74	AL10-RT17-SS-1	ROTOR BI-WING (TOP) - AL20	1
	AL10-RT17-SS-2	ROTOR BI-WING (SIDE) - AL20	1
	AL10-RT18-SS-1	ROTOR BI-WING (TOP) - AL20 - HOT	1
	AL10-RT18-SS-2	ROTOR BI-WING (SIDE) - AL20 - HOT	1
	AL10-RT16-SS-1	ROTOR SINGLE-WING - AL20	2
	AL10-RT19-SS-1	ROTOR TRI-LOBE - AL20	2
	AL10-RT19-SS-1H	ROTOR TRI-LOBE - AL20 - HOT	2
	AL10-RT20-SS-1	ROTOR MULTI-LOBE - AL20	2
76	E70028	O-RING FOR ROTOR - EPDM	2
	V70028	O-RING FOR ROTOR - VITON	2
77	AL10-RB01-SS	ROTOR BOLT - (HEX HEAD)	2
	AL10-RB02-SS	ROTOR BOLT - (SLOTTED) **Pressure Relief Cover Only	2
78	AL10-SW01-SS	SPRING WASHER FOR ROTOR BOLT	2
79	E70021	O-RING FOR ROTOR BOLT - EPDM	2
	V70021	O-RING FOR ROTOR BOLT - VITON	2
80	AL10-FC02-SS	FRONT COVER - AL15/20	1
81	AL10-HN01-SS	HEX NUT/STUD BOLT LOCK	4
82	E70251	O-RING FOR FRONT COVER - AL15/20 - EPDM	1
	V70251	O-RING FOR FRONT COVER - AL15/20 - VITON	1
	TE70251	O-RING FOR FRONT COVER - AL15/20 - TEFLON ENCAP	1
83	AL10-CN01-SS	CAP NUT	4



**Single O-Ring Seal**

*Optional Items Shown in ITALICS*

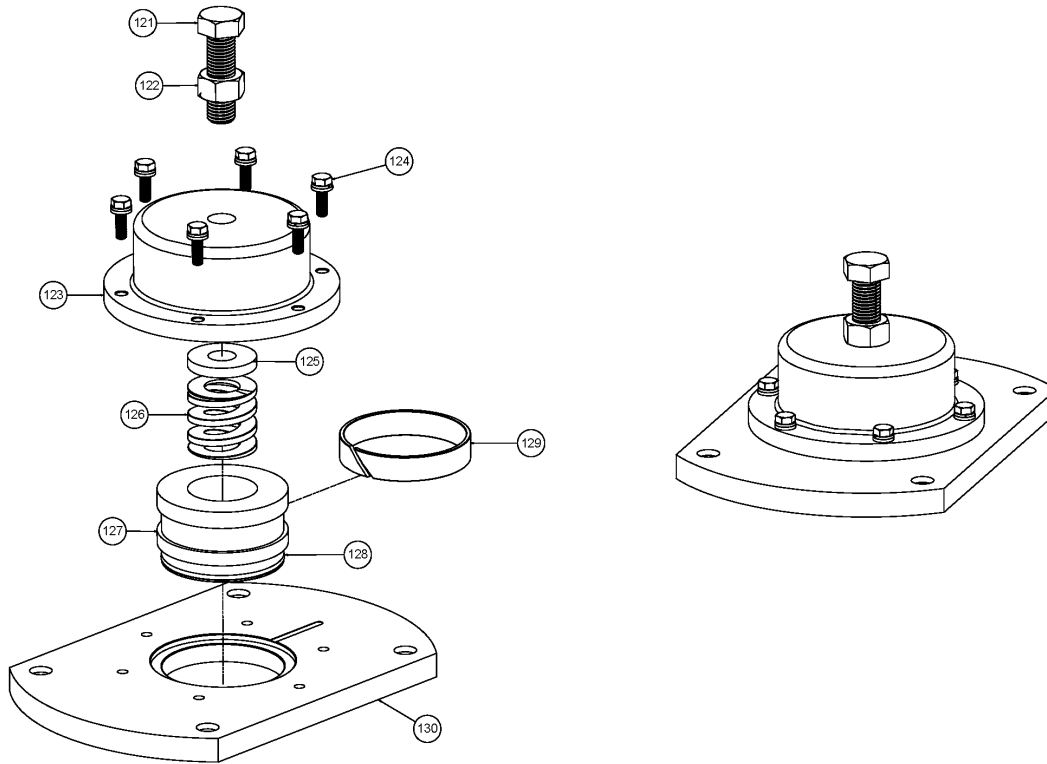
Ref #	Component Item No.	Description	Qty Per
68	<b>E70220</b>	<b>O-RING FOR ROTOR CASE - EPDM</b>	<b>2</b>
	<i>V70220</i>	<i>O-RING FOR ROTOR CASE - VITON</i>	<i>2</i>
76	<b>E70028</b>	<b>O-RING FOR ROTOR - EPDM</b>	<b>2</b>
	<i>V70028</i>	<i>O-RING FOR ROTOR - VITON</i>	<i>2</i>
112	<b>AL10-SE08-SS</b>	<b>SLEEVE, CHROME OXIDE COATED</b>	<b>2</b>
	<i>AL10-SE09-SS</i>	<i>SLEEVE, STAINLESS STEEL</i>	<i>2</i>
	<i>AL10-SE10-SS</i>	<i>SLEEVE, CERAMIC</i>	<i>2</i>



**Double O-Ring Seal**

*Optional Items Shown in ITALICS*

Ref #	Component Item No.	Description	Qty Per
68	<b>E70220</b>	<b>O-RING FOR ROTOR CASE - EPDM</b>	<b>4</b>
	<i>V70220</i>	<i>O-RING FOR ROTOR CASE - VITON</i>	<i>4</i>
76	<b>E70028</b>	<b>O-RING FOR ROTOR - EPDM</b>	<b>2</b>
	<i>V70028</i>	<i>O-RING FOR ROTOR - VITON</i>	<i>2</i>
92	<b>E70036</b>	<b>O-RING FOR DOUBLE SEAL CASE - EPDM</b>	<b>2</b>
	<b>V70036</b>	<b>O-RING FOR DOUBLE SEAL CASE - VITON</b>	<b>2</b>
102	<b>AL00-WS01-SS</b>	<b>DIN M6 FENDER WASHER</b>	<b>4</b>
103	<b>AL00-BT01-SS</b>	<b>CAP SCREW FOR SEAL RETAINER</b>	<b>4</b>
112	<b>AL10-SE08-SS</b>	<b>SLEEVE, CHROME OXIDE COATED</b>	<b>2</b>
	<i>AL10-SE09-SS</i>	<i>SLEEVE, STAINLESS STEEL</i>	<i>2</i>
	<i>AL10-SE10-SS</i>	<i>SLEEVE, CERAMIC</i>	<i>2</i>
113	<b>AL10-OS02-SS</b>	<b>SS GLAND FOR DOUBLE O-RING</b>	<b>2</b>

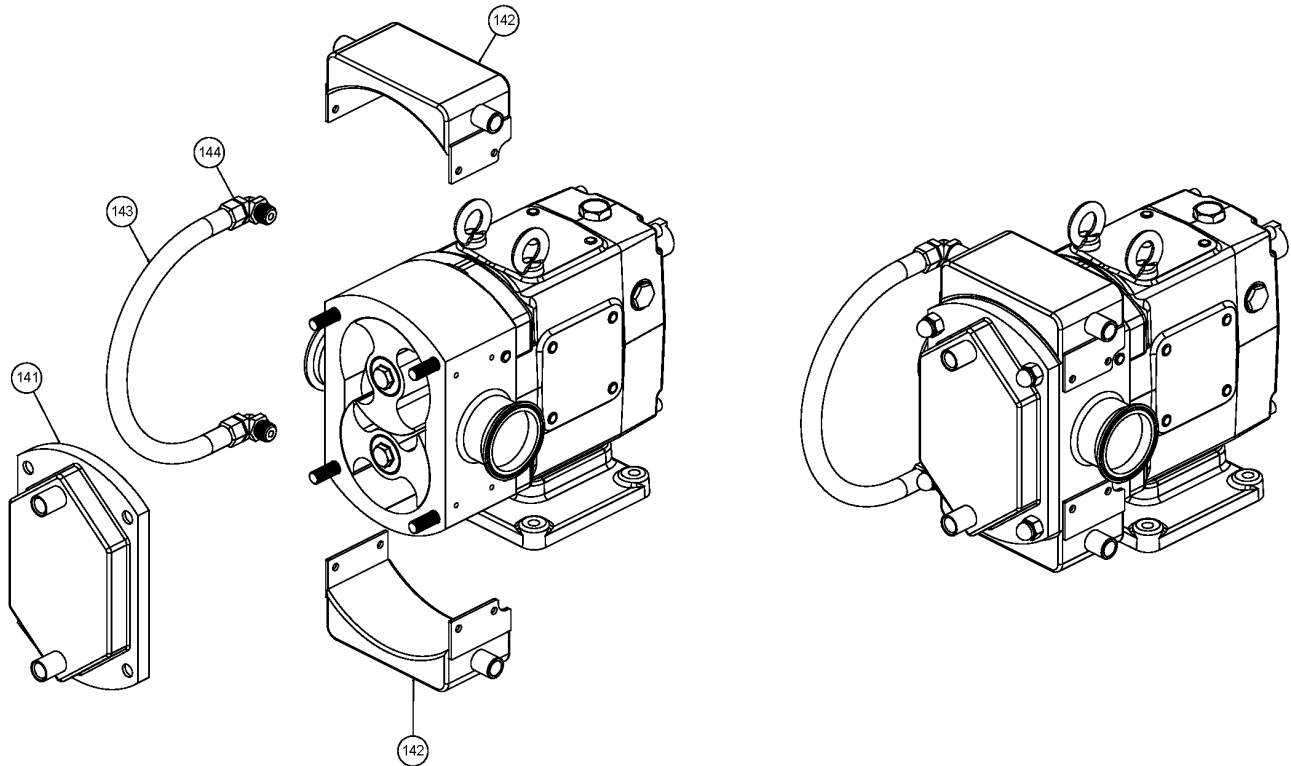


**Pressure Relief Cover**

*Optional Items Shown in ITALICS*

Ref #	Component Item No.	Description	Qty Per
77	AL10-RB02-SS	ROTOR BOLT - (SLOTTED) <b>**Not Shown Above</b>	2
121	GX5515150	ADJUSTING BOLT	1
122	GX5515000	LOCK NUT	1
123	AL10-RH01-SS	HOUSING FOR RELIEF VALVE	1
124	GX5512010	LOCK WASHER	4
	GX5512105	BOLT, HEX HEAD	4
125	AL10-RP02-SS	PISTON FOR ADJUSTING	1
126	AL10-RS03-CS	SPRING	1
127	AL10-RV01-SS	VALVE HEAD	1
128	E70138	O-RING - EPDM	1
	V70138	O-RING - VITON	1
129	E70134	O-RING - EPDM	1
	V70134	O-RING - VITON	1
130	AL10-FC04-SS	FRONT COVER FOR RELIEF VALVE - AL15/20	1

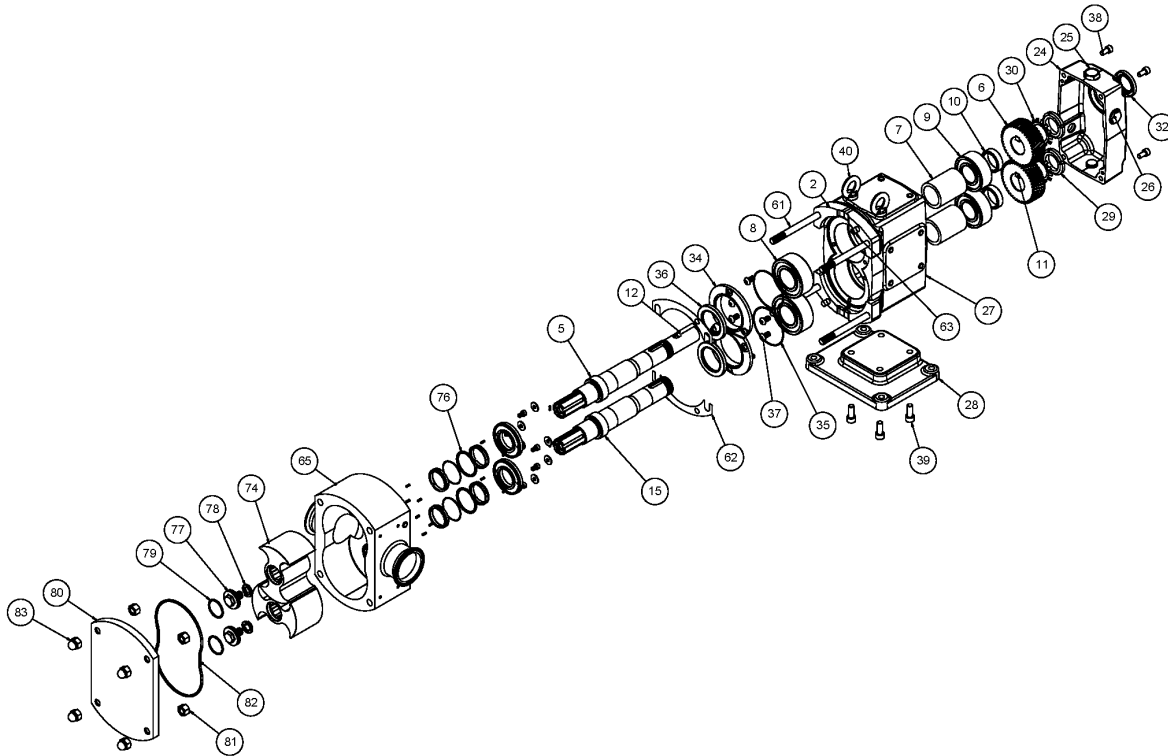




**Heating Jackets**

*Optional Items Shown in ITALICS*

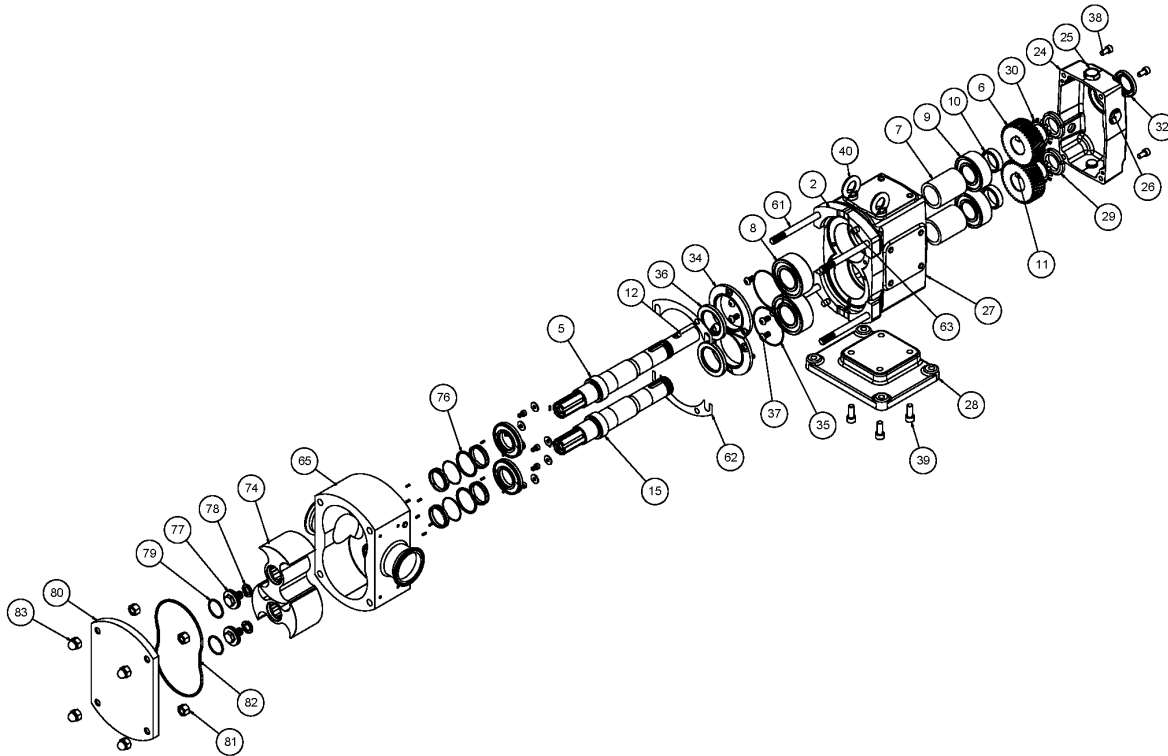
Ref #	Component Item No.	Description	Qty Per
141	AL10-FC07-SS	FRONT COVER WITH JACKET - AL15/20	1
142	AL10-HJ04-SS	CASE HEATING JACKET FOR BODY TOP - AL20	1
	AL10-HJ05-SS	CASE HEATING JACKET FOR BODY BOTTOM - AL20	1
143	AL10-HJ03-SS	CASE HEATING JACKET FOR TUBE ASS'Y - AL10	1
144	AL00-HJ01-SS	ELBOW,HEATING JCKT - AL	2



**Exploded View**

*Optional Items Shown in ITALICS*

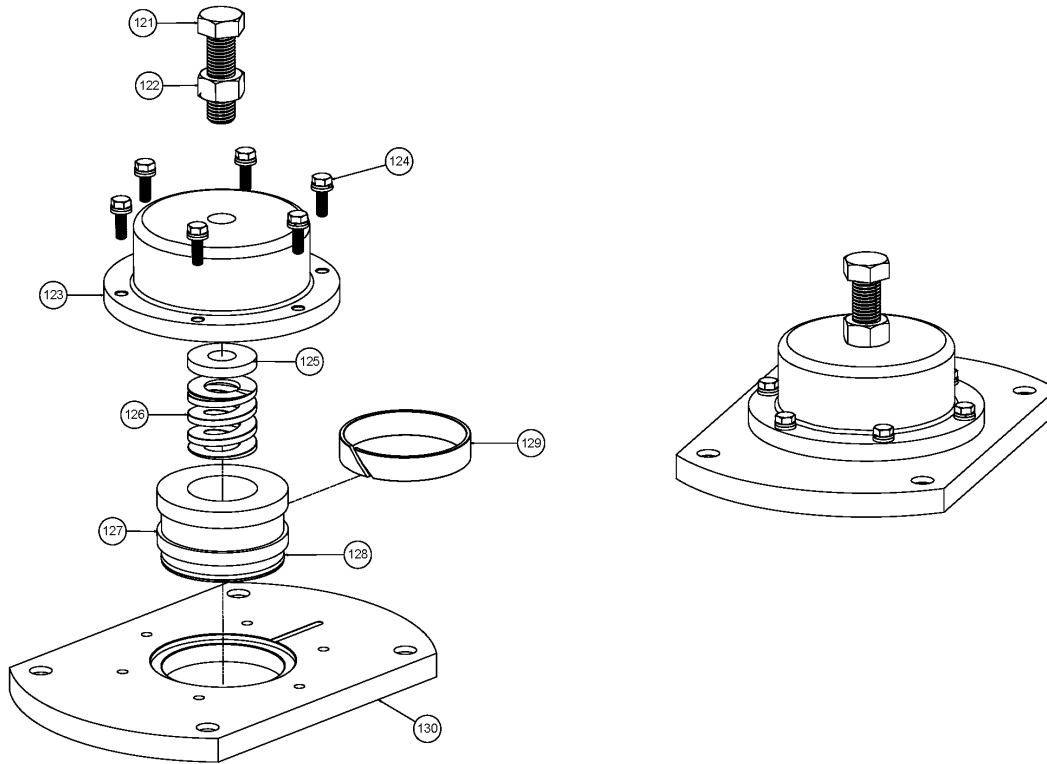
Ref #	Component Item No.	Description	Qty Per
2	AL20-GB03-SS	GEAR BOX - SS	1
5	AL20-SF01-SS	DRIVE SHAFT - AL22	1
6	AL20-HG01-CS	HELICAL GEAR - LEFT HAND	1
	AL20-HG02-CS	HELICAL GEAR - RIGHT HAND	1
7	AL20-BS01-CS	BEARING SPACER	2
8	AL20-BE01-CC	FRONT BEARING	2
9	AL20-BE02-CS	REAR BEARING	2
10	AL20-GS01-CS	GEAR SPACER	2
11	AL20-GK01-CS	GEAR KEY - 10x8x27	2
12	AL20-SK01-CS	SHAFT KEY - 10x8x50	1
15	AL20-SF02-SS	SHORT SHAFT - AL22	1
24	AL20-GB04-SS	GEAR BOX COVER - SS	1
25	P1GX115798	HEX PLUG WITH NBR SEAL	2
26	P1GX115799	OIL LEVEL INDICATOR	2
27	AL10-PN05-SS	DOWEL FOR GEAR BOX	2
28	AL20-GB05-SS	GEAR BOX BASE - SS	1
29	AL20-LN01-CS	LOCK NUT	2
30	AL20-LW01-CS	LOCK WASHER	2
32	AL20-OS02-L3	REAR OIL SEAL - NBR	1
34	AL20-OS01-SS	OIL SEAL GLAND	2
35	N70041	O-RING FOR OIL SEAL GLAND - NBR	2
36	AL20-OS01-L3	FRONT OIL SEAL - NBR	2
37	AL20-BT01-SS	CAP SCREW FOR OIL SEAL GLAND	6
38	AL20-BT02-SS	CAP SCREW FOR GEAR BOX COVER	4
39	AL20-BT03-SS	CAP SCREW FOR GEAR BASE	4
40	AL20-BT04-SS	EYEBOLT	2
61	AL20-SB01-SS	CASE STUD BOLT - AL22	4



**Exploded View**

*Optional Items Shown in ITALICS*

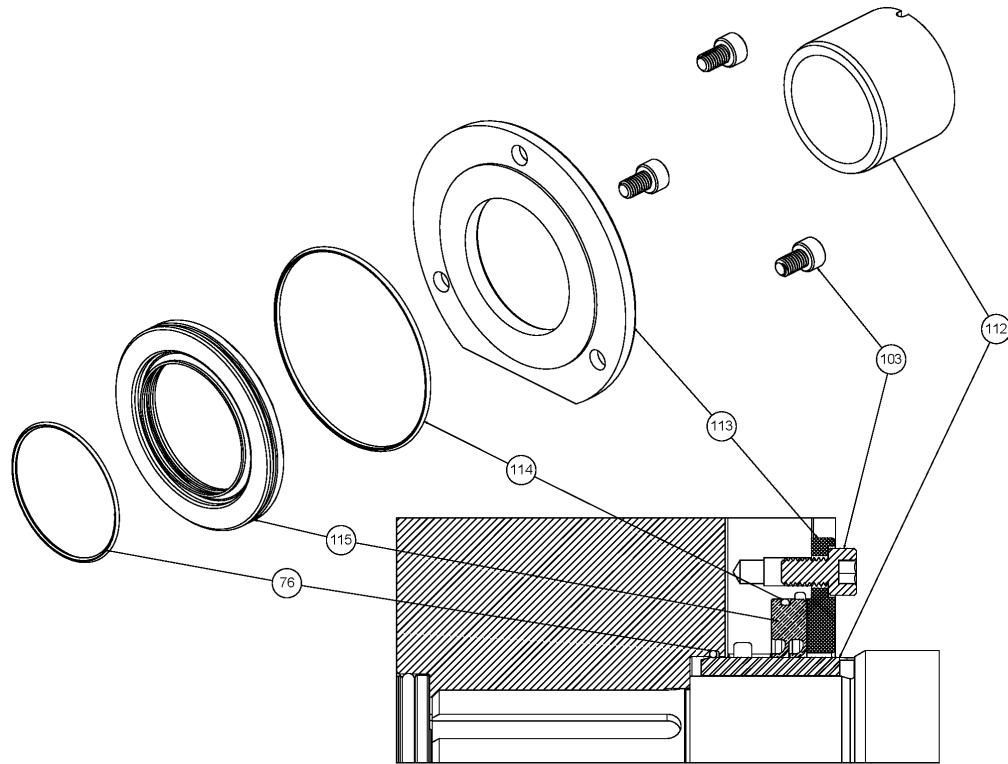
Ref #	Component Item No.	Description	Qty Per
62	AL20-SP01-SS-02	SHIM - 0.002" THICKNESS - AL200 SERIES	2
	AL20-SP01-SS-04	SHIM - 0.004" THICKNESS - AL200 SERIES	2
63	AL20-PN04-SS	DOWEL FOR CASE	2
65	AL20-RC07-SS	ROTOR CASE - AL22	1
74	AL20-RT02-SS-1	ROTOR BI-WING (TOP) - AL22	1
	AL20-RT02-SS-2	ROTOR BI-WING (SIDE) - AL22	1
	AL20-RT03-SS-1	ROTOR BI-WING (TOP) - AL22 - HOT	1
	AL20-RT03-SS-2	ROTOR BI-WING (SIDE) - AL22 - HOT	1
	AL20-RT01-SS-1	ROTOR SINGLE-WING (TOP) - AL22	2
	AL20-RT04-SS-1	ROTOR TRI-LOBE (TOP) - AL22	2
76	E70031	O-RING FOR ROTOR - EPDM	2
	V70031	O-RING FOR ROTOR - VITON	2
77	AL20-RB01-SS	ROTOR BOLT - (HEX HEAD)	2
	AL20-RB02-SS	ROTOR BOLT - (SLOTTED) **Pressure Relief Cover Only	2
78	AL20-SW01-SS	SPRING WASHER FOR ROTOR BOLT	2
79	E70125	O-RING FOR ROTOR BOLT - EPDM	2
	V70125	O-RING FOR ROTOR BOLT - VITON	2
80	AL20-FC02-SS	FRONT COVER	1
81	AL20-HN01-SS	HEX NUT/STUD BOLT LOCK	4
82	E70261	O-RING FOR FRONT COVER - EPDM	1
	V70261	O-RING FOR FRONT COVER - VITON	1
	TE70261	O-RING FOR FRONT COVER - TEFLON ENCAP	1
83	AL20-CN01-SS	CAP NUT	4



**Pressure Relief Cover**

*Optional Items Shown in ITALICS*

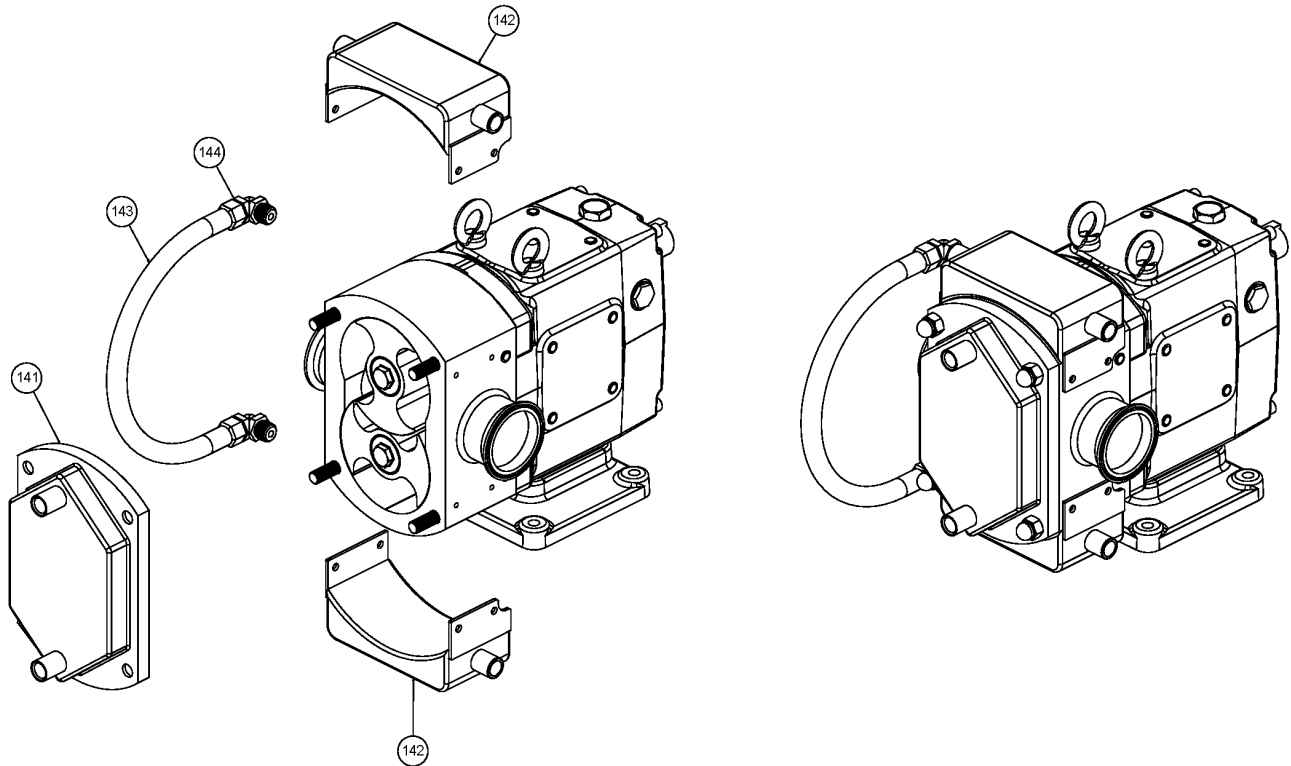
Ref #	Component Item No.	Description	Qty Per
77	AL20-RB02-SS	ROTOR BOLT - (SLOTTED) <b>**Not Shown Above</b>	2
120	GX5517145	BOLT, HEX HEAD	1
121	GX5517000	NUT, HEX HEAD	1
122	AL20-RH02-SS	RELIEF VALVE HOUSING	1
123	GX5512110	BOLT, HEX HEAD	6
124	GX5512010	LOCK WASHER	6
125	AL20-RP04-SS	ADJUSTMENT PIN	1
126	AL20-RS03-CS	SPRING	1
127	AL20-RV02-SS	VALVE HEAD	1
128	AL20-WR01-PF	WEAR RING, TEFLON	1
129	E70144	O-RING, EPDM	1
	V70144	O-RING, VITON	1
130	AL20-FC06-SS	FRONT COVER, VENTED	1
131	AL20-FR01-SS	FRONT COVER ASSEMBLY, VENTED	1



**Lip Seal**

*Optional Items Shown in ITALICS*

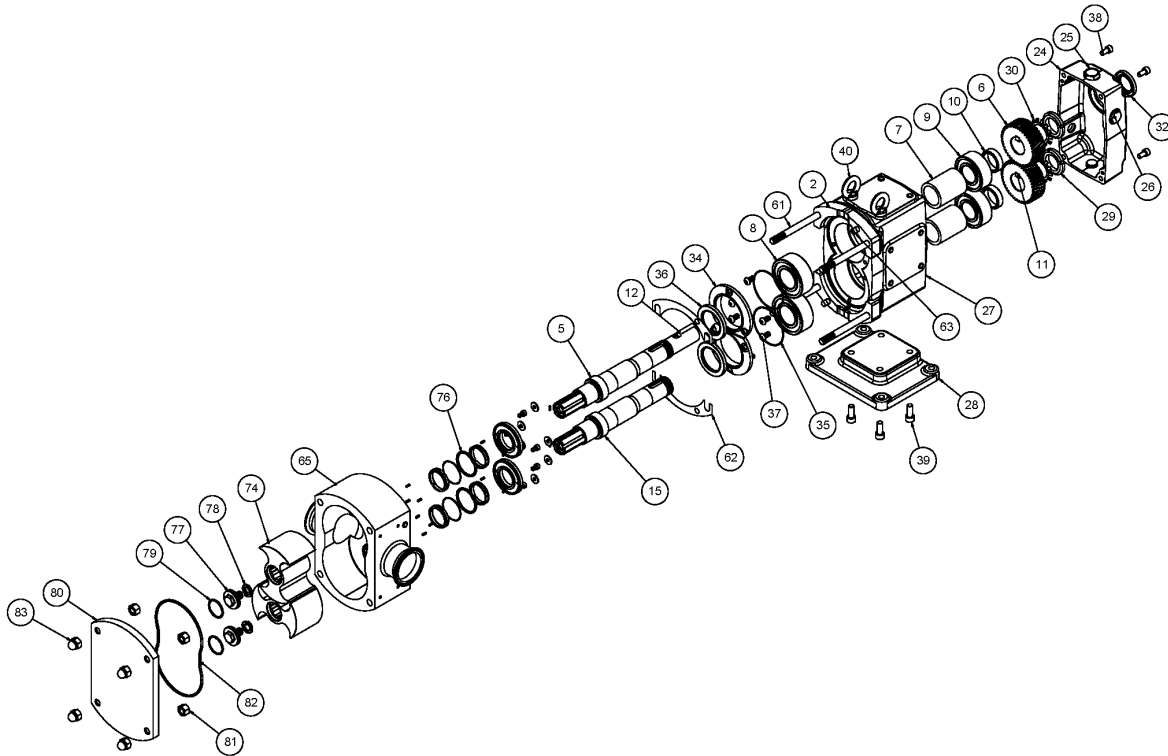
Ref #	Component Item No.	Description	Qty Per
76	<b>E70031</b>	<b>O-RING FOR ROTOR - EPDM</b>	<b>2</b>
	<i>V70031</i>	<i>O-RING FOR ROTOR - VITON</i>	<i>2</i>
103	<b>AL00-BT01-SS</b>	<b>CAP SCREW FOR OIL SEAL GLAND</b>	<b>6</b>
112	<b>AL20-SE08-SS</b>	<b>SLEEVE, CHROME OXIDE COATED</b>	<b>2</b>
113	<b>AL20-SE05-S3</b>	<b>SS GLAND FOR DOUBLE LIP SEAL FOR PRODUCT</b>	<b>2</b>
	<i>AL20-SE06-S3</i>	<i>SS GLAND FOR TRIPLE LIP SEAL FOR PRODUCT</i>	<i>2</i>
114	<b>E70141</b>	<b>O-RING, DOUBLE LIP SEAL - EPDM</b>	<b>2</b>
	<i>V70141</i>	<i>O-RING, DOUBLE LIP SEAL - VITON</i>	<i>2</i>
115	<b>AL20-SE05-S2</b>	<b>DOUBLE LIP SEAL FOR PRODUCT - TEFLON</b>	<b>2</b>
	<i>AL20-SE06-S2</i>	<i>TRIPLE LIP SEAL FOR PRODUCT - TEFLON</i>	<i>2</i>



**Heating Jackets**

*Optional Items Shown in ITALICS*

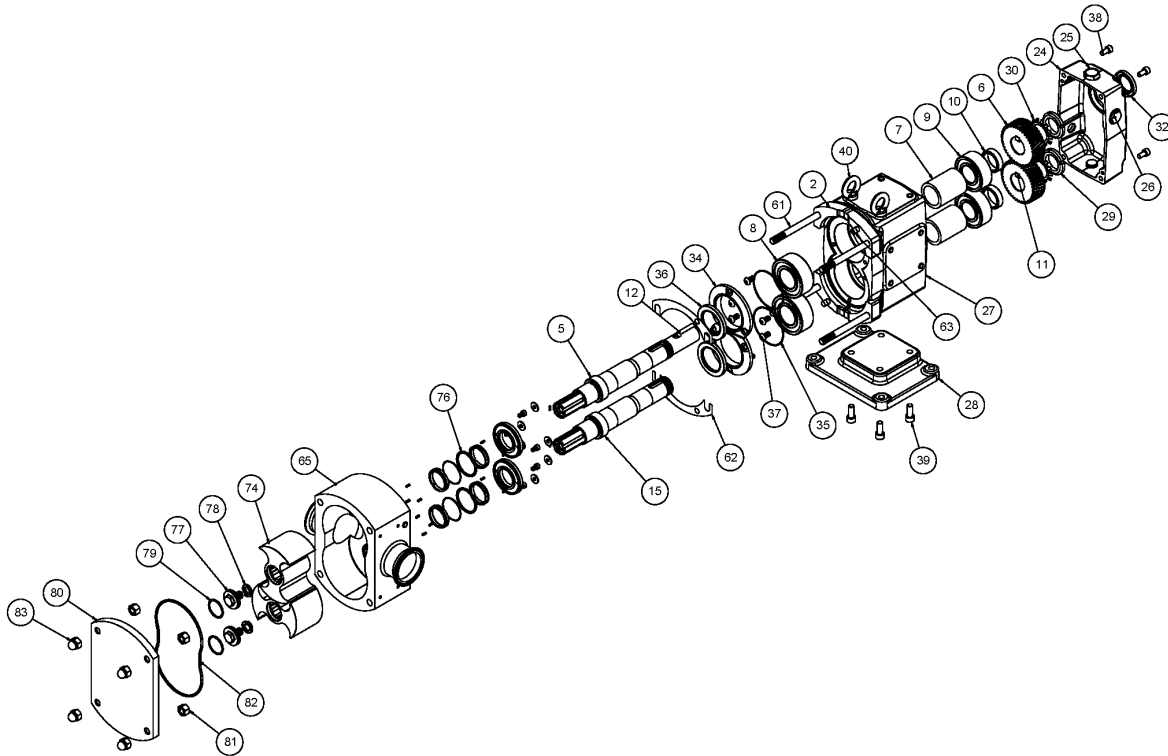
Ref #	Component Item No.	Description	Qty Per
141	AL20-FC04-SS	FRONT COVER WITH JACKET	1
142	AL20-HJ01-SS	CASE HEATING JACKET FOR BODY TOP - AL22	1
	AL20-HJ02-SS	CASE HEATING JACKET FOR BODY BOTTOM - AL22	1
143	AL20-HJ03-SS	CASE HEATING JACKET FOR TUBE ASS'Y - AL200	1
144	AL00-HJ01-SS	ELBOW,HEATING JCKT - AL	2



**Exploded View**

*Optional Items Shown in ITALICS*

Ref #	Component Item No.	Description	Qty Per
2	AL20-GB03-SS	GEAR BOX - SS	1
5	AL20-SF01-SS	DRIVE SHAFT - AL22	1
6	AL20-HG01-CS	HELICAL GEAR - LEFT HAND	1
	AL20-HG02-CS	HELICAL GEAR - RIGHT HAND	1
7	AL20-BS01-CS	BEARING SPACER	2
8	AL20-BE01-CC	FRONT BEARING	2
9	AL20-BE02-CS	REAR BEARING	2
10	AL20-GS01-CS	GEAR SPACER	2
11	AL20-GK01-CS	GEAR KEY - 10x8x27	2
12	AL20-SK01-CS	SHAFT KEY - 10x8x50	1
15	AL20-SF02-SS	SHORT SHAFT - AL22	1
24	AL20-GB04-SS	GEAR BOX COVER - SS	1
25	P1GX115798	HEX PLUG WITH NBR SEAL	2
26	P1GX115799	OIL LEVEL INDICATOR	2
27	AL10-PN05-SS	DOWEL FOR GEAR BOX	2
28	AL20-GB05-SS	GEAR BOX BASE - SS	1
29	AL20-LN01-CS	LOCK NUT	2
30	AL20-LW01-CS	LOCK WASHER	2
32	AL20-OS02-L3	REAR OIL SEAL - NBR	1
34	AL20-OS01-SS	OIL SEAL GLAND	2
35	N70041	O-RING FOR OIL SEAL GLAND - NBR	2
36	AL20-OS01-L3	FRONT OIL SEAL - NBR	2
37	AL20-BT01-SS	CAP SCREW FOR OIL SEAL GLAND	6
38	AL20-BT02-SS	CAP SCREW FOR GEAR BOX COVER	4
39	AL20-BT03-SS	CAP SCREW FOR GEAR BASE	4
40	AL20-BT04-SS	EYEBOLT	2
61	AL20-SB01-SS	CASE STUD BOLT - AL22	4

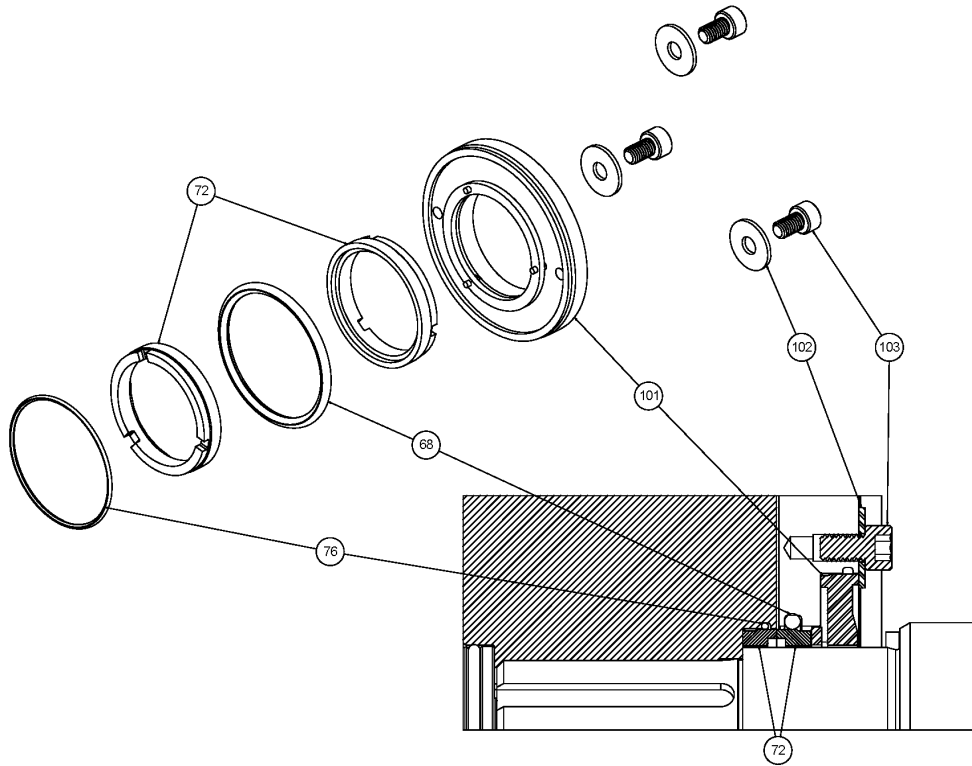


**Exploded View**

*Optional Items Shown in ITALICS*

Ref #	Component Item No.	Description	Qty Per
62	AL20-SP01-SS-02	SHIM - 0.002" THICKNESS - AL200 SERIES	2
	AL20-SP01-SS-04	SHIM - 0.004" THICKNESS - AL200 SERIES	2
63	AL20-PN04-SS	DOWEL FOR CASE	2
65	AL20-RC07-SS	ROTOR CASE - AL22	1
74	AL20-RT02-SS-1	ROTOR BI-WING (TOP) - AL22	1
	AL20-RT02-SS-2	ROTOR BI-WING (SIDE) - AL22	1
	AL20-RT03-SS-1	ROTOR BI-WING (TOP) - AL22 - HOT	1
	AL20-RT03-SS-2	ROTOR BI-WING (SIDE) - AL22 - HOT	1
	AL20-RT01-SS-1	ROTOR SINGLE-WING (TOP) - AL22	2
	AL20-RT04-SS-1	ROTOR TRI-LOBE (TOP) - AL22	2
76	E70031	O-RING FOR ROTOR - EPDM	2
	V70031	O-RING FOR ROTOR - VITON	2
77	AL20-RB01-SS	ROTOR BOLT - (HEX HEAD)	2
	AL20-RB02-SS	ROTOR BOLT - (SLOTTED) **Pressure Relief Cover Only	2
78	AL20-SW01-SS	SPRING WASHER FOR ROTOR BOLT	2
79	E70125	O-RING FOR ROTOR BOLT - EPDM	2
	V70125	O-RING FOR ROTOR BOLT - VITON	2
80	AL20-FC02-SS	FRONT COVER	1
81	AL20-HN01-SS	HEX NUT/STUD BOLT LOCK	4
82	E70261	O-RING FOR FRONT COVER - EPDM	1
	V70261	O-RING FOR FRONT COVER - VITON	1
	TE70261	O-RING FOR FRONT COVER - TEFLON ENCAP	1
83	AL20-CN01-SS	CAP NUT	4

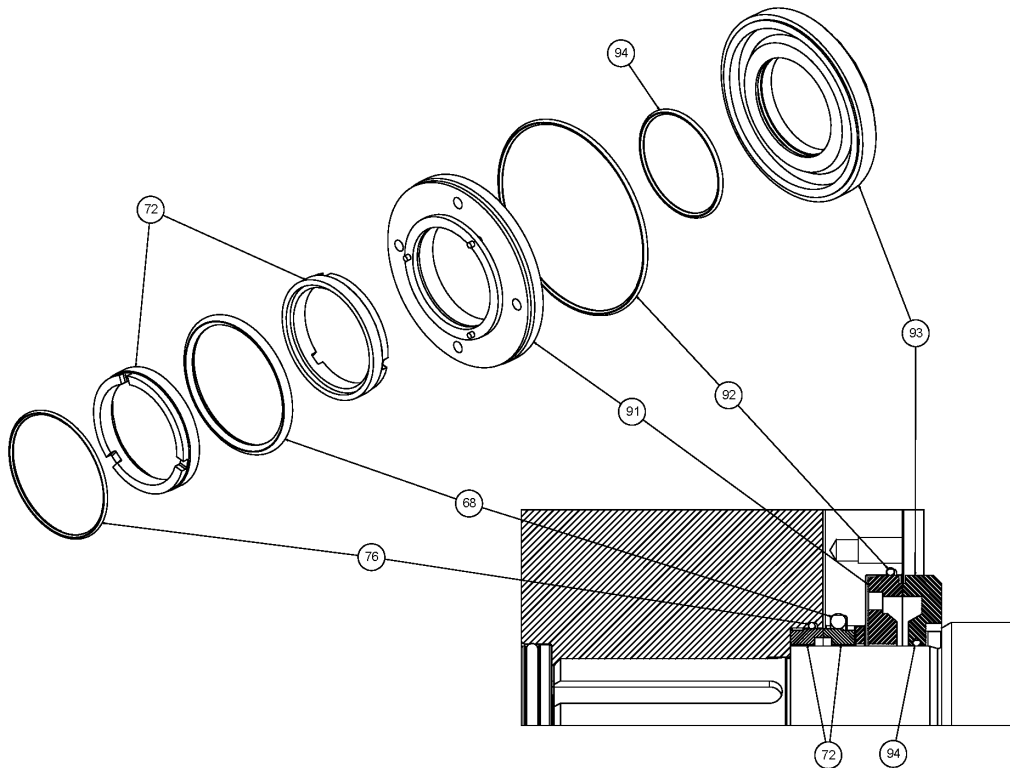




**Single Mechanical Seal**

*Optional Items Shown in ITALICS*

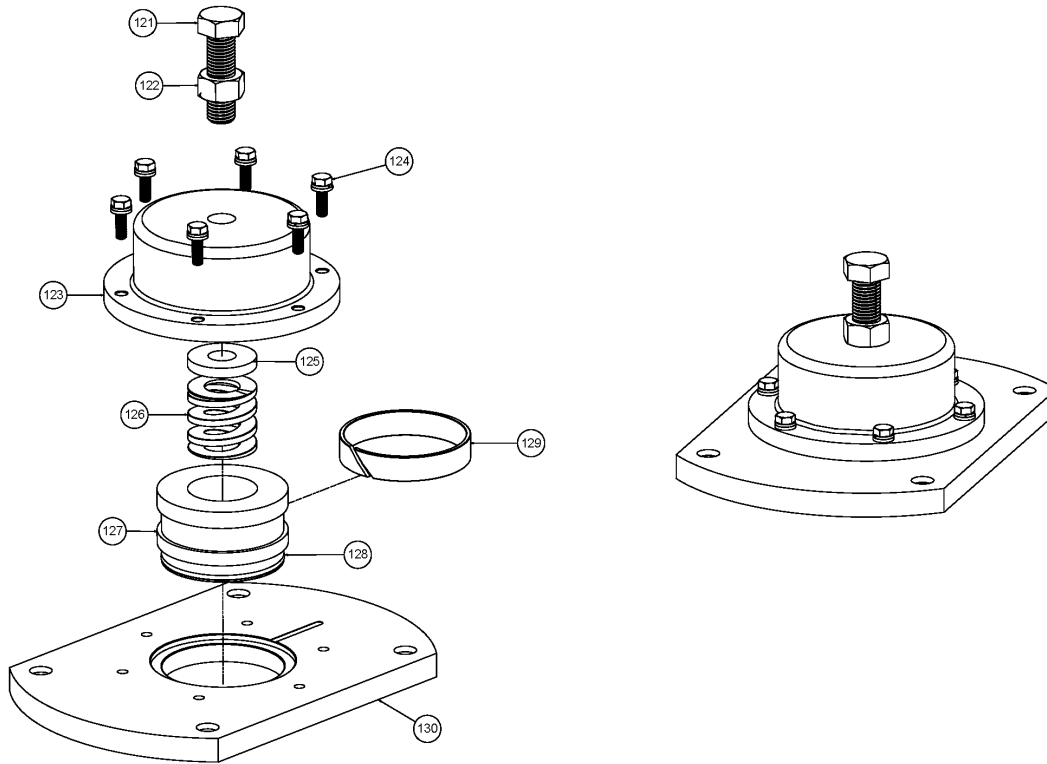
Ref #	Component Item No.	Description	Qty Per
68	<b>E70225</b>	<b>O-RING FOR ROTOR CASE - EPDM</b>	<b>2</b>
	<i>V70225</i>	<i>O-RING FOR ROTOR CASE - VITON</i>	<i>2</i>
72	<b>AL20-SE06-SS</b>	<b>SEAL/MECHANICAL SEAL RING - TC</b>	<b>4</b>
	<i>AL20-SE07-SS</i>	<i>SEAL/MECHANICAL SEAL RING - SC</i>	<i>4</i>
76	<b>E70031</b>	<b>O-RING FOR ROTOR - EPDM</b>	<b>2</b>
	<i>V70031</i>	<i>O-RING FOR ROTOR - VITON</i>	<i>2</i>
101	<b>AL20-SE01-S3</b>	<b>SEAL/SINGLE MECH SEAL BASE</b>	<b>2</b>
102	<b>AL00-WS01-SS</b>	<b>DIN M6 FENDER WASHER</b>	<b>6</b>
103	<b>AL00-BT01-SS</b>	<b>CAP SCREW FOR OIL SEAL GLAND</b>	<b>6</b>



**Double Mechanical Seal**

*Optional Items Shown in ITALICS*

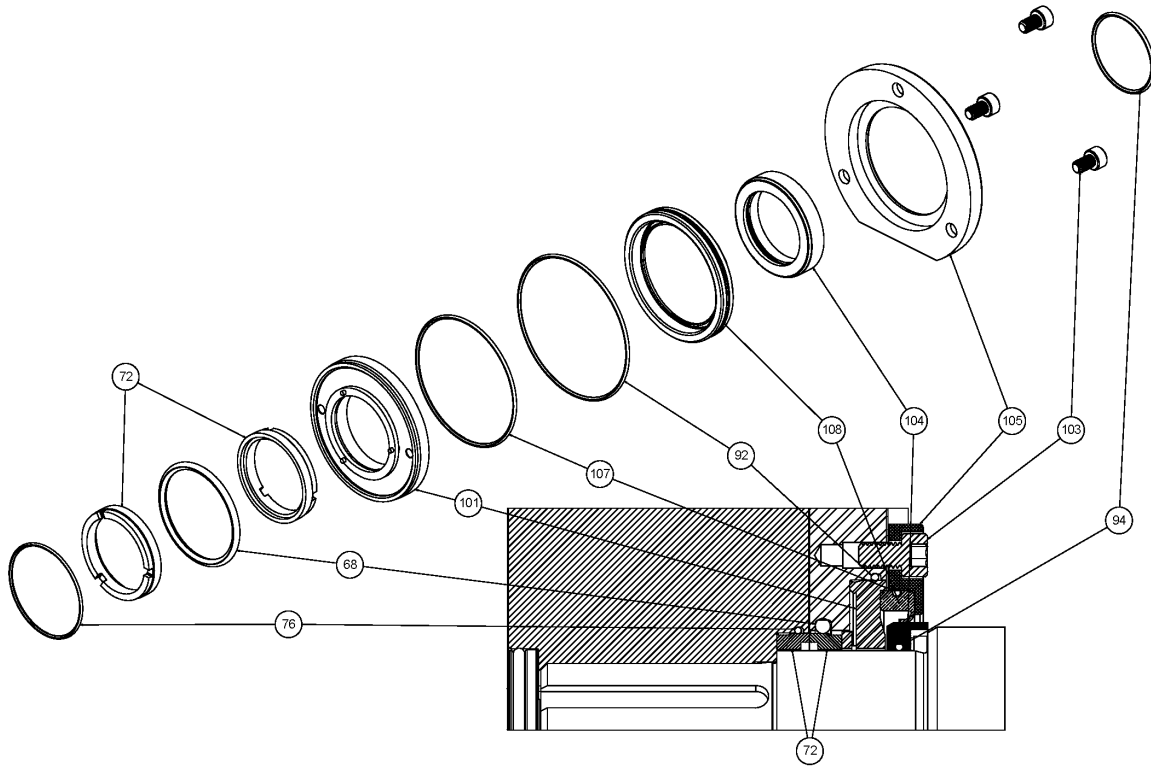
Ref #	Component Item No.	Description	Qty Per
68	<b>E70225</b>	<b>O-RING FOR ROTOR CASE - EPDM</b>	<b>2</b>
	<i>V70225</i>	<i>O-RING FOR ROTOR CASE - VITON</i>	<i>2</i>
72	<b>AL20-SE06-SS</b>	<b>SEAL/MECHANICAL SEAL RING - TC</b>	<b>4</b>
	<i>AL20-SE07-SS</i>	<i>SEAL/MECHANICAL SEAL RING - SC</i>	<i>4</i>
76	<b>E70031</b>	<b>O-RING FOR ROTOR - EPDM</b>	<b>2</b>
	<i>V70031</i>	<i>O-RING FOR ROTOR - VITON</i>	<i>2</i>
91	<b>AL20-SE01-S5</b>	<b>DOUBLE SEAL REAR BASE - SC</b>	<b>2</b>
	<i>AL20-SE01-S6</i>	<i>DOUBLE SEAL REAR BASE - TC</i>	<i>2</i>
92	<b>E70039</b>	<b>O-RING FOR DOUBLE SEAL CASE - EPDM</b>	<b>2</b>
	<i>V70039</i>	<i>O-RING FOR DOUBLE SEAL CASE - VITON</i>	<i>2</i>
93	<b>AL20-SE02-S2</b>	<b>SEAL/FLUSHED SEAL UNIT - SC</b>	<b>2</b>
	<i>AL20-SE02-S1</i>	<i>SEAL/FLUSHED SEAL UNIT - TC</i>	<i>2</i>
94	<b>E70029</b>	<b>O-RING FOR DOUBLE SEAL SHAFT - EPDM</b>	<b>2</b>
	<i>V70029</i>	<i>O-RING FOR DOUBLE SEAL SHAFT - VITON</i>	<i>2</i>



**Pressure Relief Cover**

*Optional Items Shown in ITALICS*

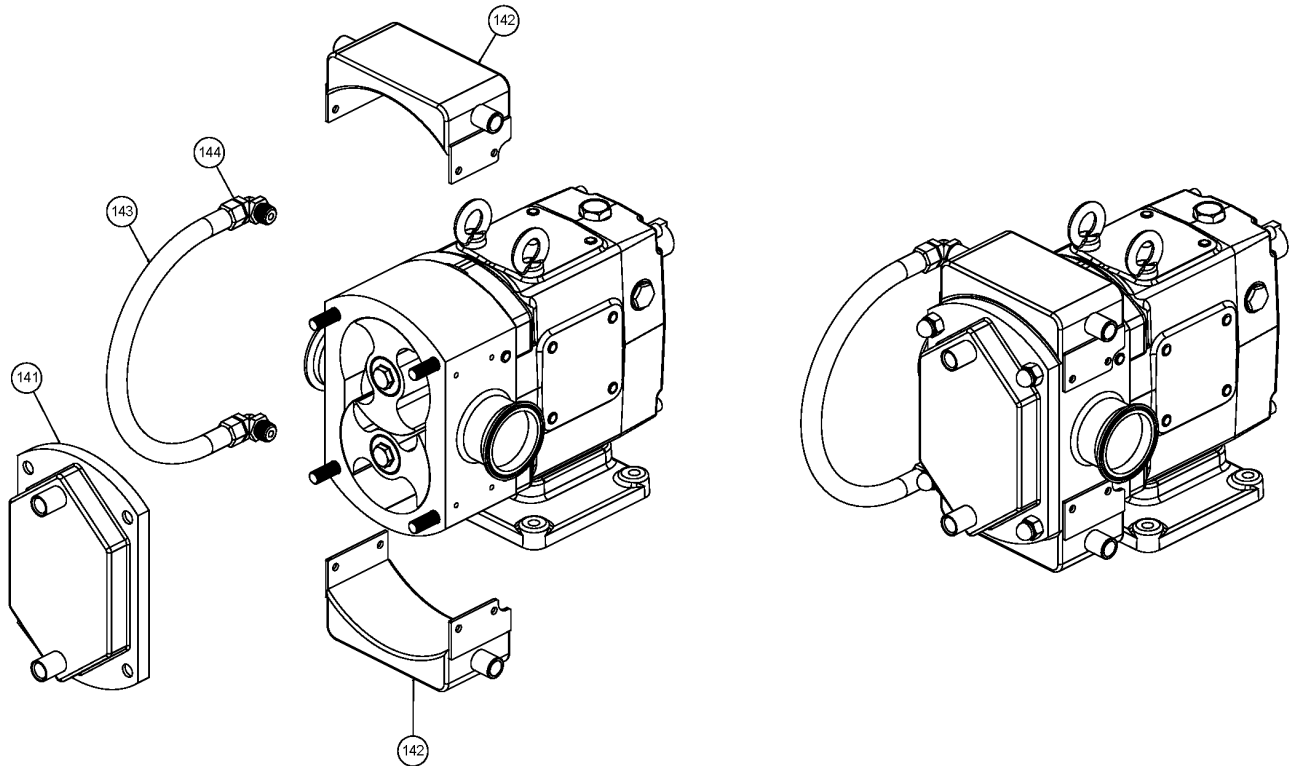
Ref #	Component Item No.	Description	Qty Per
77	AL20-RB02-SS	ROTOR BOLT - (SLOTTED) <b>**Not Shown Above</b>	2
120	GX5517145	BOLT, HEX HEAD	1
121	GX5517000	NUT, HEX HEAD	1
122	AL20-RH02-SS	RELIEF VALVE HOUSING	1
123	GX5512110	BOLT, HEX HEAD	6
124	GX5512010	LOCK WASHER	6
125	AL20-RP04-SS	ADJUSTMENT PIN	1
126	AL20-RS03-CS	SPRING	1
127	AL20-RV02-SS	VALVE HEAD	1
128	AL20-WR01-PF	WEAR RING, TEFLON	1
129	E70144	O-RING, EPDM	1
	V70144	O-RING, VITON	1
130	AL20-FC06-SS	FRONT COVER, VENTED	1
131	AL20-FR01-SS	FRONT COVER ASSEMBLY, VENTED	1



**Single Mechanical Seal with Flush**

*Optional Items Shown in ITALICS*

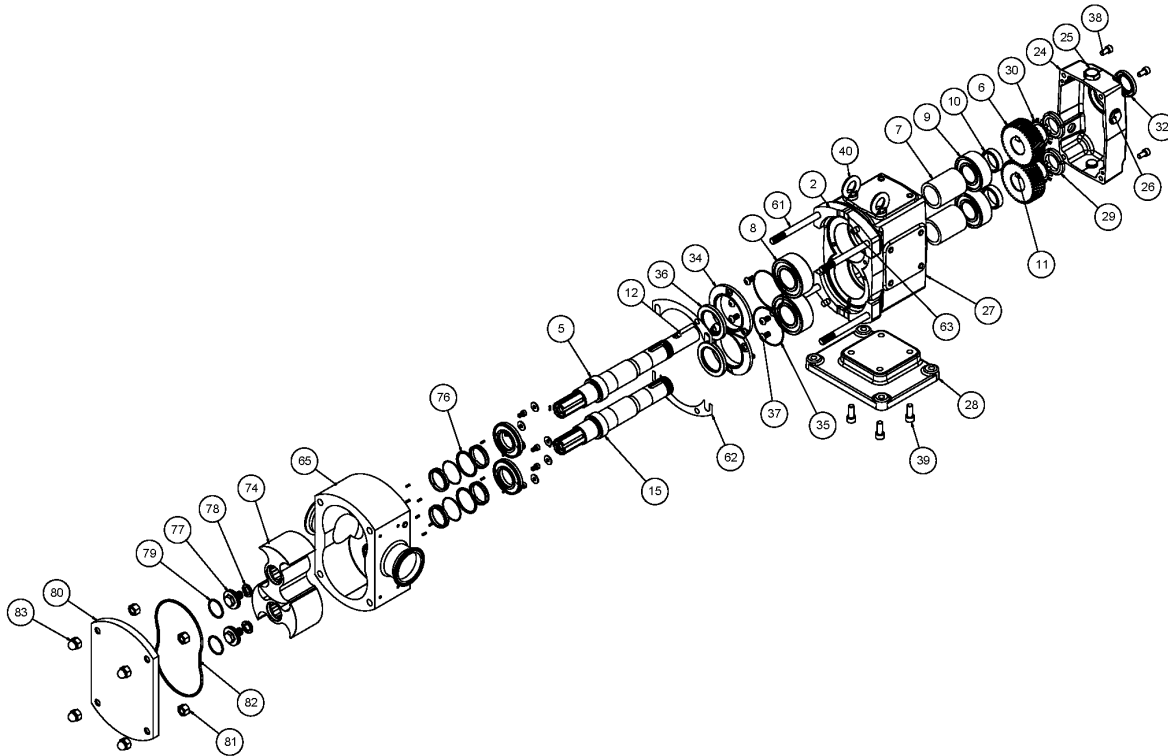
Ref #	Component Item No.	Description	Qty Per
68	<b>E70225</b>	<b>O-RING FOR ROTOR CASE - EPDM</b>	<b>2</b>
	<i>V70225</i>	<i>O-RING FOR ROTOR CASE - VITON</i>	<i>2</i>
72	<b>AL20-SE06-SS</b>	<b>SEAL/MECHANICAL SEAL RING - TC</b>	<b>4</b>
	<i>AL20-SE07-SS</i>	<i>SEAL/MECHANICAL SEAL RING - SC</i>	<i>4</i>
76	<b>E70031</b>	<b>O-RING FOR ROTOR - EPDM</b>	<b>2</b>
	<i>V70031</i>	<i>O-RING FOR ROTOR - VITON</i>	<i>2</i>
101	<b>AL20-SE01-S3</b>	<b>SEAL/SINGLE MECH SEAL BASE</b>	<b>2</b>
103	<b>AL00-BT01-SS</b>	<b>CAP SCREW FOR OIL SEAL GLAND</b>	<b>6</b>
104	<b>AL20-FL02-CE</b>	<b>CERMAIC SLEEVE FOR FLUSHING</b>	<b>2</b>
105	<b>AL20-FL03-SS</b>	<b>SS GLAND FOR FLUSHING</b>	<b>2</b>
107	<b>E70036</b>	<b>O-RING FOR FLUSHED LIP - EPDM</b>	<b>2</b>
	<i>V70036</i>	<i>O-RING FOR FLUSHED LIP - VITON</i>	<i>2</i>
108	<b>AL20-FL01-PF</b>	<b>PTFE - LIP SEAL FOR FLUSHING</b>	<b>2</b>



**Heating Jackets**

*Optional Items Shown in ITALICS*

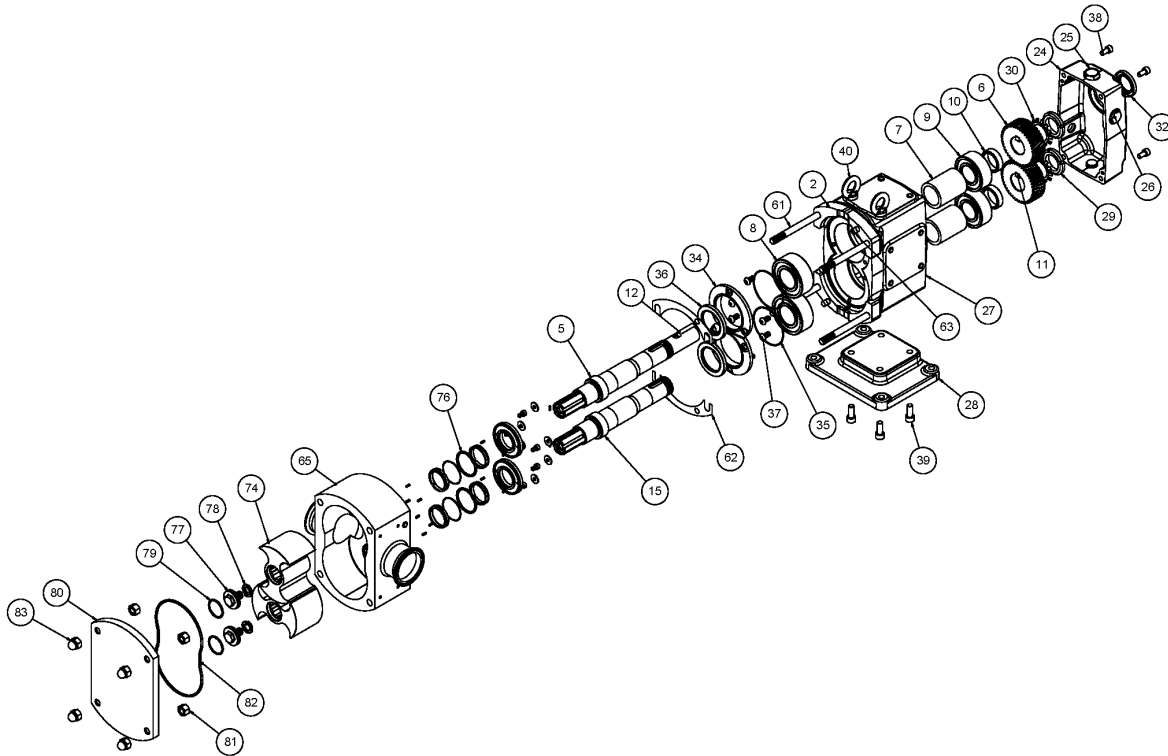
Ref #	Component Item No.	Description	Qty Per
141	AL20-FC04-SS	FRONT COVER WITH JACKET	1
142	AL20-HJ01-SS	CASE HEATING JACKET FOR BODY TOP - AL22	1
	AL20-HJ02-SS	CASE HEATING JACKET FOR BODY BOTTOM - AL22	1
143	AL20-HJ03-SS	CASE HEATING JACKET FOR TUBE ASS'Y - AL200	1
144	AL00-HJ01-SS	ELBOW,HEATING JCKT - AL	2



**Exploded View**

*Optional Items Shown in ITALICS*

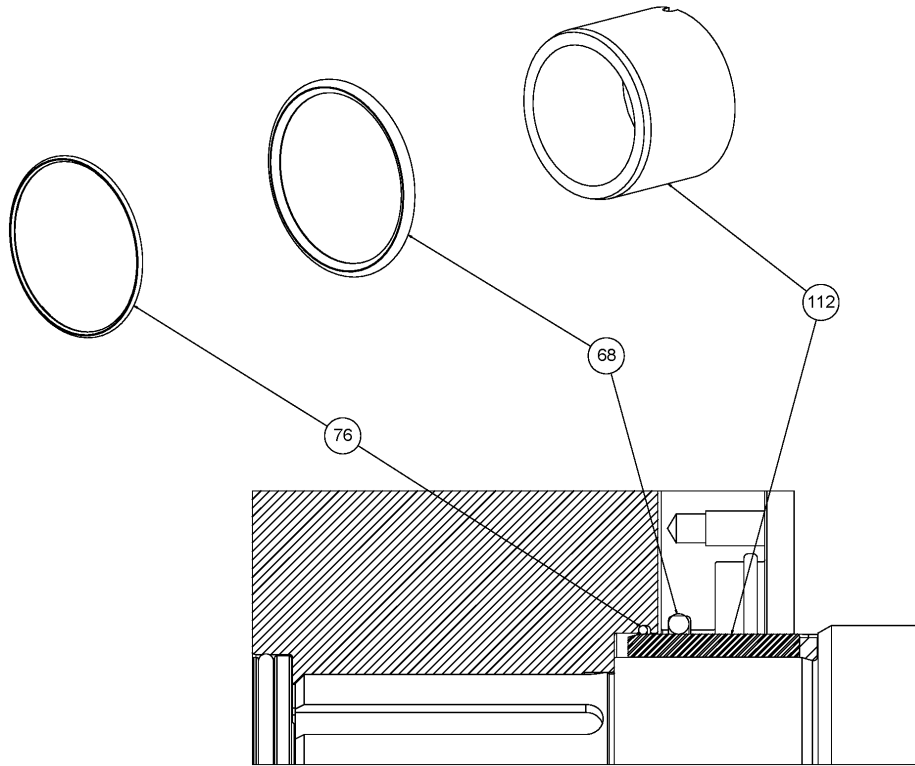
Ref #	Component Item No.	Description	Qty Per
2	AL20-GB03-SS	GEAR BOX - SS	1
5	AL20-SF01-SS	DRIVE SHAFT - AL22	1
6	AL20-HG01-CS	HELICAL GEAR - LEFT HAND	1
	AL20-HG02-CS	HELICAL GEAR - RIGHT HAND	1
7	AL20-BS01-CS	BEARING SPACER	2
8	AL20-BE01-CC	FRONT BEARING	2
9	AL20-BE02-CS	REAR BEARING	2
10	AL20-GS01-CS	GEAR SPACER	2
11	AL20-GK01-CS	GEAR KEY - 10x8x27	2
12	AL20-SK01-CS	SHAFT KEY - 10x8x50	1
15	AL20-SF02-SS	SHORT SHAFT - AL22	1
24	AL20-GB04-SS	GEAR BOX COVER - SS	1
25	P1GX115798	HEX PLUG WITH NBR SEAL	2
26	P1GX115799	OIL LEVEL INDICATOR	2
27	AL10-PN05-SS	DOWEL FOR GEAR BOX	2
28	AL20-GB05-SS	GEAR BOX BASE - SS	1
29	AL20-LN01-CS	LOCK NUT	2
30	AL20-LW01-CS	LOCK WASHER	2
32	AL20-OS02-L3	REAR OIL SEAL - NBR	1
34	AL20-OS01-SS	OIL SEAL GLAND	2
35	N70041	O-RING FOR OIL SEAL GLAND - NBR	2
36	AL20-OS01-L3	FRONT OIL SEAL - NBR	2
37	AL20-BT01-SS	CAP SCREW FOR OIL SEAL GLAND	6
38	AL20-BT02-SS	CAP SCREW FOR GEAR BOX COVER	4
39	AL20-BT03-SS	CAP SCREW FOR GEAR BASE	4
40	AL20-BT04-SS	EYEBOLT	2
61	AL20-SB01-SS	CASE STUD BOLT - AL22	4



**Exploded View**

*Optional Items Shown in ITALICS*

Ref #	Component Item No.	Description	Qty Per
62	AL20-SP01-SS-02	SHIM - 0.002" THICKNESS - AL200 SERIES	2
	AL20-SP01-SS-04	SHIM - 0.004" THICKNESS - AL200 SERIES	2
63	AL20-PN04-SS	DOWEL FOR CASE	2
65	AL20-RC07-SS	ROTOR CASE - AL22	1
74	AL20-RT02-SS-1	ROTOR BI-WING (TOP) - AL22	1
	AL20-RT02-SS-2	ROTOR BI-WING (SIDE) - AL22	1
	AL20-RT03-SS-1	ROTOR BI-WING (TOP) - AL22 - HOT	1
	AL20-RT03-SS-2	ROTOR BI-WING (SIDE) - AL22 - HOT	1
	AL20-RT01-SS-1	ROTOR SINGLE-WING (TOP) - AL22	2
	AL20-RT04-SS-1	ROTOR TRI-LOBE (TOP) - AL22	2
76	E70031	O-RING FOR ROTOR - EPDM	2
	V70031	O-RING FOR ROTOR - VITON	2
77	AL20-RB01-SS	ROTOR BOLT - (HEX HEAD)	2
	AL20-RB02-SS	ROTOR BOLT - (SLOTTED) **Pressure Relief Cover Only	2
78	AL20-SW01-SS	SPRING WASHER FOR ROTOR BOLT	2
79	E70125	O-RING FOR ROTOR BOLT - EPDM	2
	V70125	O-RING FOR ROTOR BOLT - VITON	2
80	AL20-FC02-SS	FRONT COVER	1
81	AL20-HN01-SS	HEX NUT/STUD BOLT LOCK	4
82	E70261	O-RING FOR FRONT COVER - EPDM	1
	V70261	O-RING FOR FRONT COVER - VITON	1
	TE70261	O-RING FOR FRONT COVER - TEFLON ENCAP	1
83	AL20-CN01-SS	CAP NUT	4

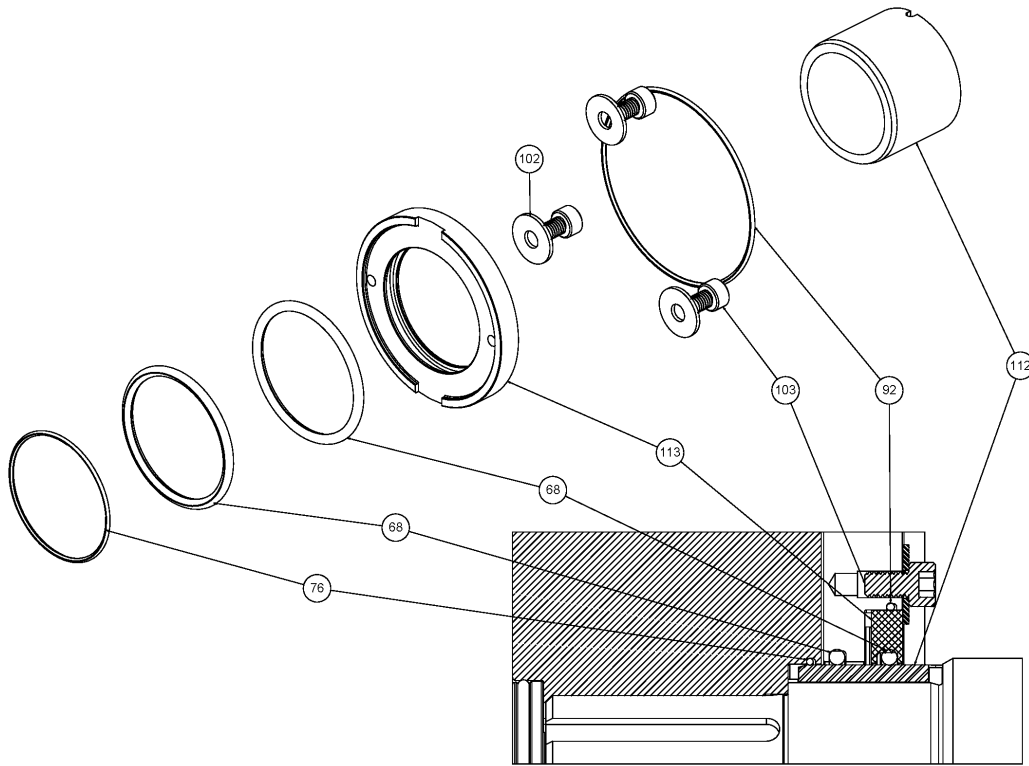


**Single O-Ring Seal**

*Optional Items Shown in ITALICS*

Ref #	Component Item No.	Description	Qty Per
68	<b>E70225</b>	<b>O-RING FOR ROTOR CASE - EPDM</b>	<b>2</b>
	<i>V70225</i>	<i>O-RING FOR ROTOR CASE - VITON</i>	<i>2</i>
76	<b>E70031</b>	<b>O-RING FOR ROTOR - EPDM</b>	<b>2</b>
	<i>V70031</i>	<i>O-RING FOR ROTOR - VITON</i>	<i>2</i>
112	<b>AL20-SE08-SS</b>	<b>SLEEVE, CHROME OXIDE COATED</b>	<b>2</b>
	<i>AL20-SE09-SS</i>	<i>SLEEVE, STAINLESS STEEL</i>	<i>2</i>
	<i>AL20-SE10-SS</i>	<i>SLEEVE, CERAMIC</i>	<i>2</i>

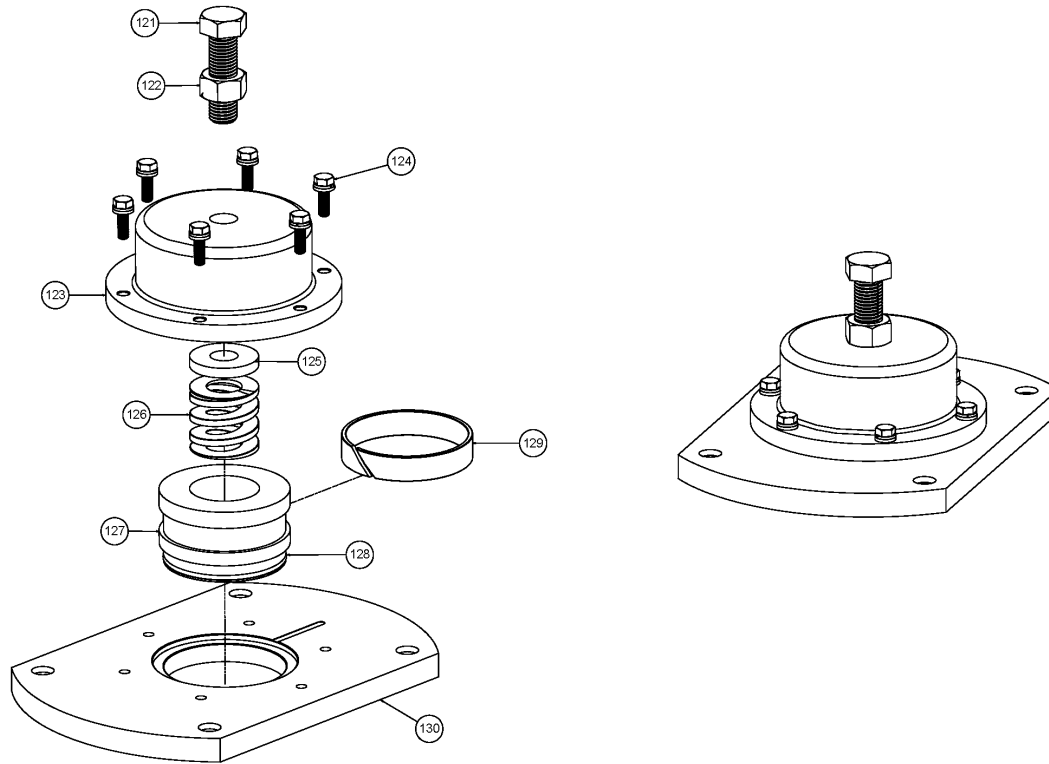




**Double O-Ring Seal**

*Optional Items Shown in ITALICS*

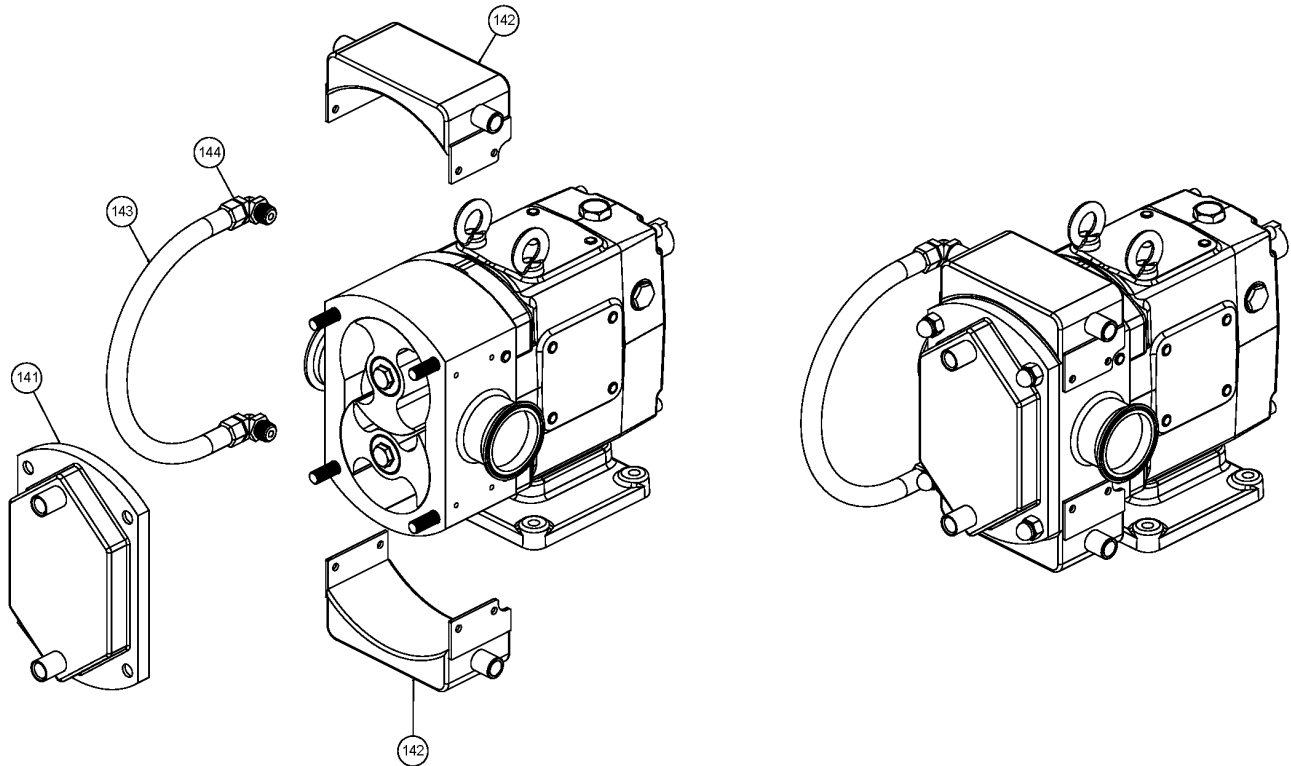
Ref #	Component Item No.	Description	Qty Per
68	V70225	O-RING FOR ROTOR CASE - VITON	2
76	<b>E70031</b>	<b>O-RING FOR ROTOR - EPDM</b>	<b>2</b>
	V70031	O-RING FOR ROTOR - VITON	2
92	<b>E70039</b>	<b>O-RING FOR DOUBLE SEAL CASE - EPDM</b>	<b>2</b>
	V70039	O-RING FOR DOUBLE SEAL CASE - VITON	2
102	<b>AL00-WS01-SS</b>	<b>DIN M6 FENDER WASHER</b>	<b>6</b>
103	<b>AL00-BT01-SS</b>	<b>CAP SCREW FOR OIL SEAL GLAND</b>	<b>6</b>
112	<b>AL20-SE08-SS</b>	<b>SLEEVE, CHROME OXIDE COATED</b>	<b>2</b>
	AL20-SE09-SS	SLEEVE, STAINLESS STEEL	2
	AL20-SE10-SS	SLEEVE, CERAMIC	2
113	<b>AL20-OS02-SS</b>	<b>SS GLAND FOR DOUBLE O-RING</b>	<b>2</b>



**Pressure Relief Cover**

*Optional Items Shown in ITALICS*

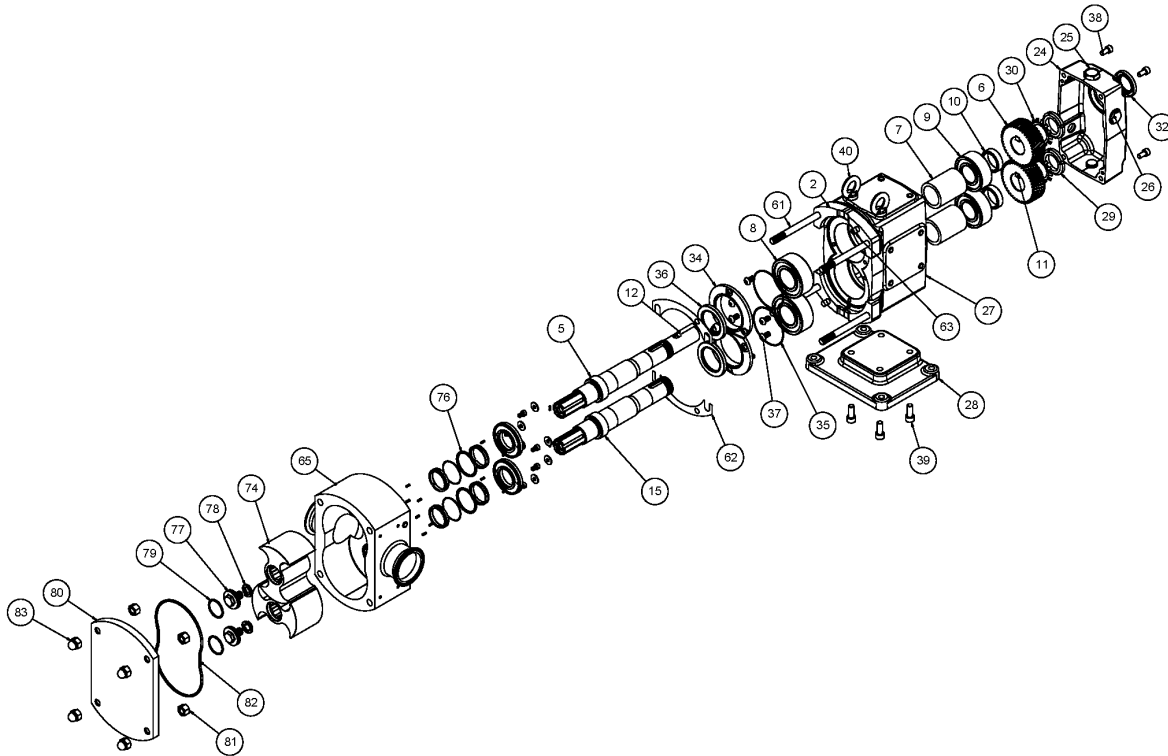
Ref #	Component Item No.	Description	Qty Per
77	AL20-RB02-SS	ROTOR BOLT - (SLOTTED) <b>**Not Shown Above</b>	2
120	GX5517145	BOLT, HEX HEAD	1
121	GX5517000	NUT, HEX HEAD	1
122	AL20-RH02-SS	RELIEF VALVE HOUSING	1
123	GX5512110	BOLT, HEX HEAD	6
124	GX5512010	LOCK WASHER	6
125	AL20-RP04-SS	ADJUSTMENT PIN	1
126	AL20-RS03-CS	SPRING	1
127	AL20-RV02-SS	VALVE HEAD	1
128	AL20-WR01-PF	WEAR RING, TEFLON	1
129	E70144	O-RING, EPDM	1
	V70144	O-RING, VITON	1
130	AL20-FC06-SS	FRONT COVER, VENTED	1
131	AL20-FR01-SS	FRONT COVER ASSEMBLY, VENTED	1



**Heating Jackets**

*Optional Items Shown in ITALICS*

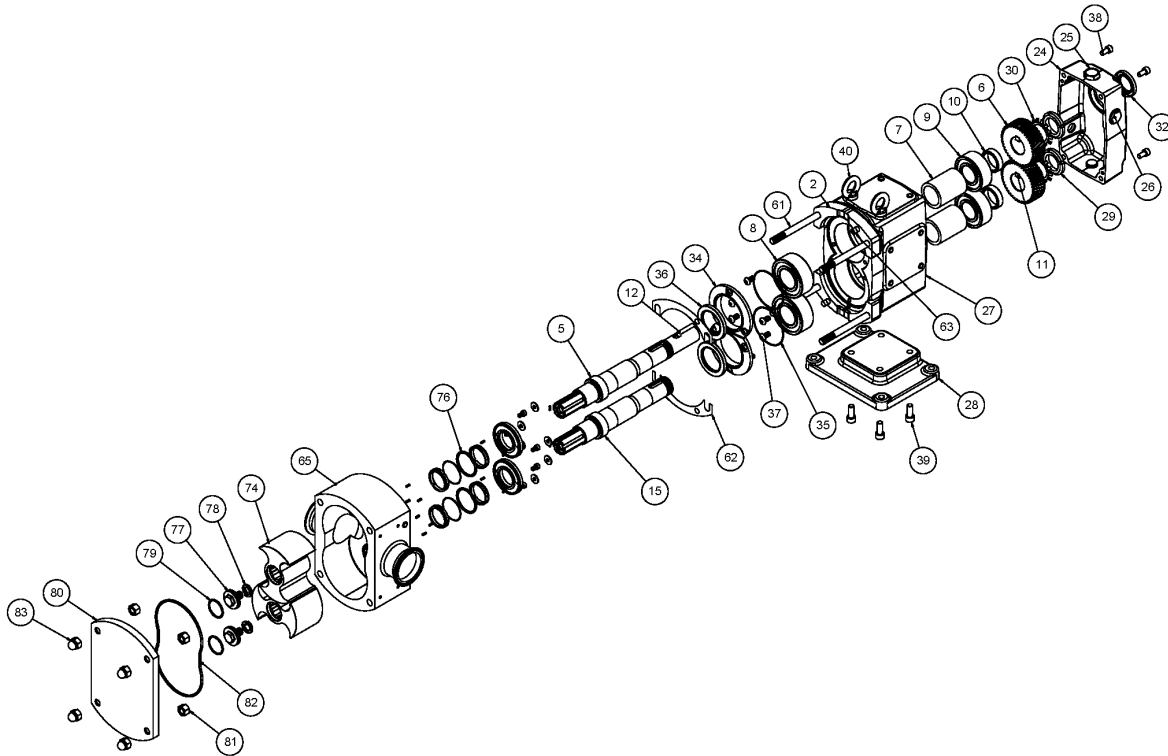
Ref #	Component Item No.	Description	Qty Per
141	AL20-FC04-SS	FRONT COVER WITH JACKET	1
142	AL20-HJ01-SS	CASE HEATING JACKET FOR BODY TOP - AL22	1
	AL20-HJ02-SS	CASE HEATING JACKET FOR BODY BOTTOM - AL22	1
143	AL20-HJ03-SS	CASE HEATING JACKET FOR TUBE ASS'Y - AL200	1
144	AL00-HJ01-SS	ELBOW,HEATING JCKT - AL	2



**Exploded View**

*Optional Items Shown in ITALICS*

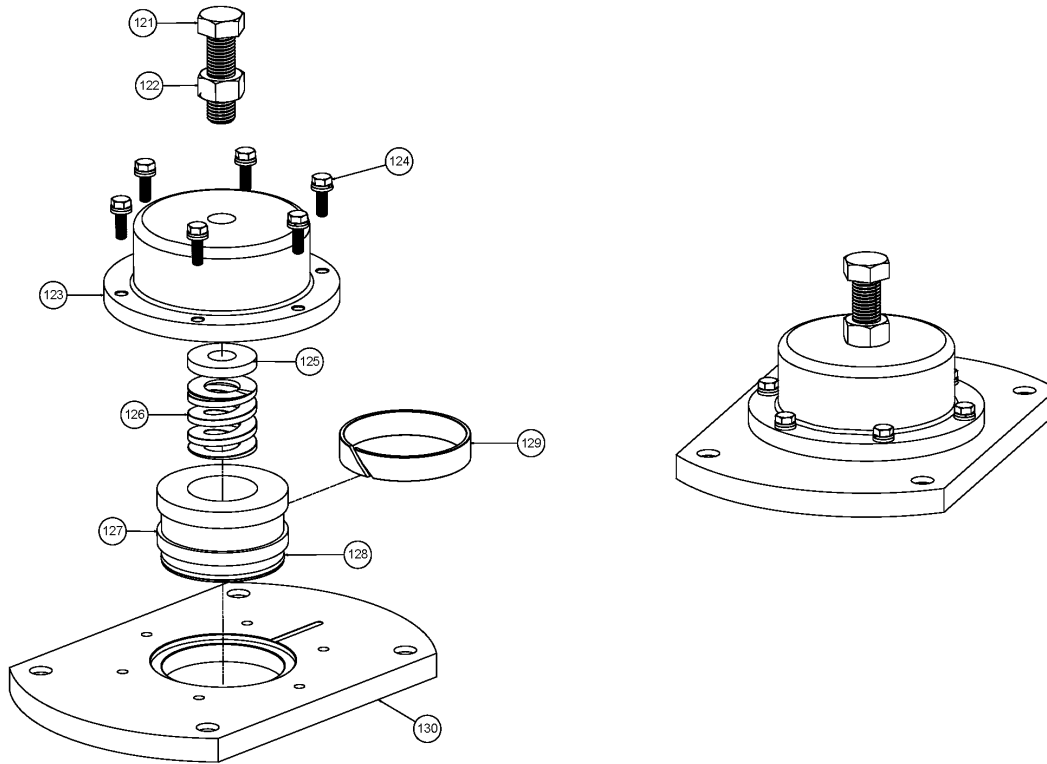
Ref #	Component Item No.	Description	Qty Per
2	AL20-GB03-SS	GEAR BOX - SS	1
5	AL20-SF03-SS	DRIVE SHAFT - AL25	1
6	AL20-HG01-CS	HELICAL GEAR - LEFT HAND	1
	AL20-HG02-CS	HELICAL GEAR - RIGHT HAND	1
7	AL20-BS01-CS	BEARING SPACER	2
8	AL20-BE01-CC	FRONT BEARING	2
9	AL20-BE02-CS	REAR BEARING	2
10	AL20-GS01-CS	GEAR SPACER	2
11	AL20-GK01-CS	GEAR KEY - 10x8x27	2
12	AL20-SK01-CS	SHAFT KEY - 10x8x50	1
15	AL20-SF04-SS	SHORT SHAFT - AL25	1
24	AL20-GB04-SS	GEAR BOX COVER - SS	1
25	P1GX115798	HEX PLUG WITH NBR SEAL	2
26	P1GX115799	OIL LEVEL INDICATOR	2
27	AL10-PN05-SS	DOWEL FOR GEAR BOX	2
28	AL20-GB05-SS	GEAR BOX BASE - SS	1
29	AL20-LN01-CS	LOCK NUT	2
30	AL20-LW01-CS	LOCK WASHER	2
32	AL20-OS02-L3	REAR OIL SEAL - NBR	1
34	AL20-OS01-SS	OIL SEAL GLAND	2
35	N70041	O-RING FOR OIL SEAL GLAND - NBR	2
36	AL20-OS01-L3	FRONT OIL SEAL - NBR	2
37	AL20-BT01-SS	CAP SCREW FOR OIL SEAL GLAND	6
38	AL20-BT02-SS	CAP SCREW FOR GEAR BOX COVER	4
39	AL20-BT03-SS	CAP SCREW FOR GEAR BASE	4
40	AL20-BT04-SS	EYEBOLT	2
61	AL20-SB02-SS	CASE STUD BOLT - AL25	4



**Exploded View**

*Optional Items Shown in ITALICS*

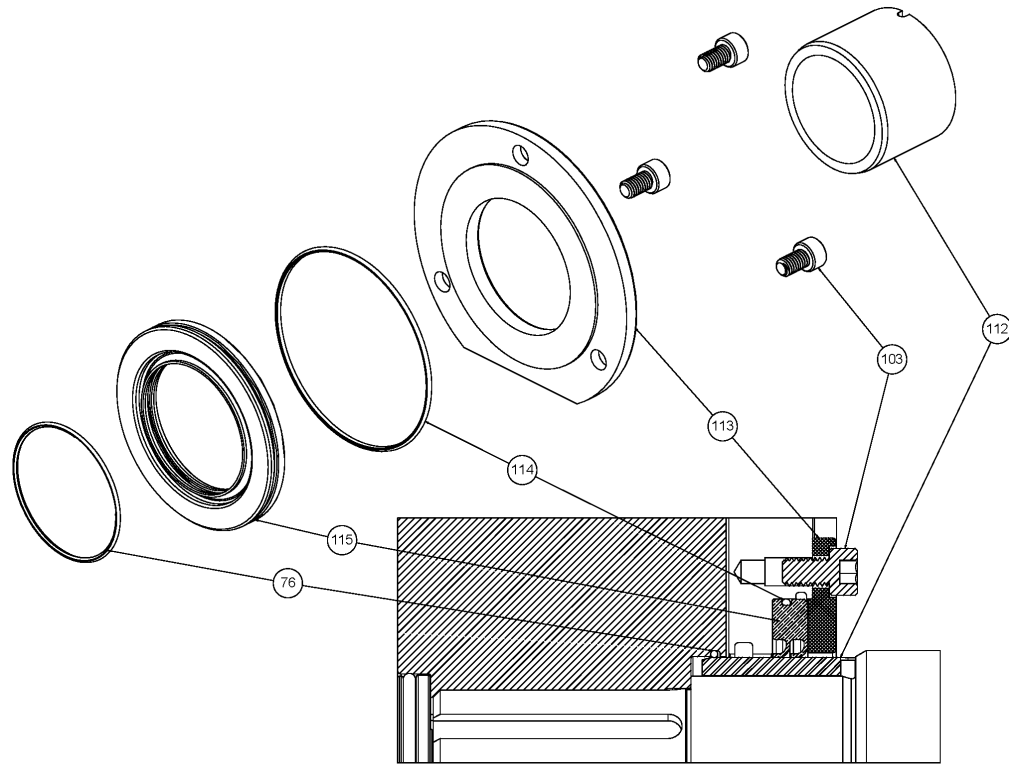
Ref #	Component Item No.	Description	Qty Per
62	AL20-SP01-SS-02	SHIM - 0.002" THICKNESS - AL200 SERIES	2
	AL20-SP01-SS-04	SHIM - 0.004" THICKNESS - AL200 SERIES	2
63	AL20-PN04-SS	DOWEL FOR CASE	2
65	AL20-RC47-SS	ROTOR CASE - AL25	1
74	AL20-RT12-SS-1	ROTOR BI-WING (TOP) - AL25	1
	AL20-RT12-SS-2	ROTOR BI-WING (SIDE) - AL25	1
	AL20-RT13-SS-1	ROTOR BI-WING (TOP) - AL25 - HOT	1
	AL20-RT13-SS-2	ROTOR BI-WING (SIDE) - AL25 - HOT	1
	AL20-RT11-SS-1	ROTOR SINGLE-WING (TOP) - AL25	2
	AL20-RT11-SS-1H	ROTOR SINGLE-WING (TOP) - HOT - AL25	2
	AL20-RT14-SS-1	ROTOR TRI-LOBE (TOP) - AL25	2
76	E70031	O-RING FOR ROTOR - EPDM	2
	V70031	O-RING FOR ROTOR - VITON	2
77	AL20-RB01-SS	ROTOR BOLT - (HEX HEAD)	2
	AL20-RB02-SS	ROTOR BOLT - (SLOTTED) <i>**Pressure Relief Cover Only</i>	2
78	AL20-SW01-SS	SPRING WASHER FOR ROTOR BOLT	2
79	E70125	O-RING FOR ROTOR BOLT - EPDM	2
	V70125	O-RING FOR ROTOR BOLT - VITON	2
80	AL20-FC02-SS	FRONT COVER	1
81	AL20-HN01-SS	HEX NUT/STUD BOLT LOCK	4
82	E70261	O-RING FOR FRONT COVER - EPDM	1
	V70261	O-RING FOR FRONT COVER - VITON	1
	TE70261	O-RING FOR FRONT COVER - TEFLON ENCAP	1
83	AL20-CN01-SS	CAP NUT	4



**Pressure Relief Cover**

*Optional Items Shown in ITALICS*

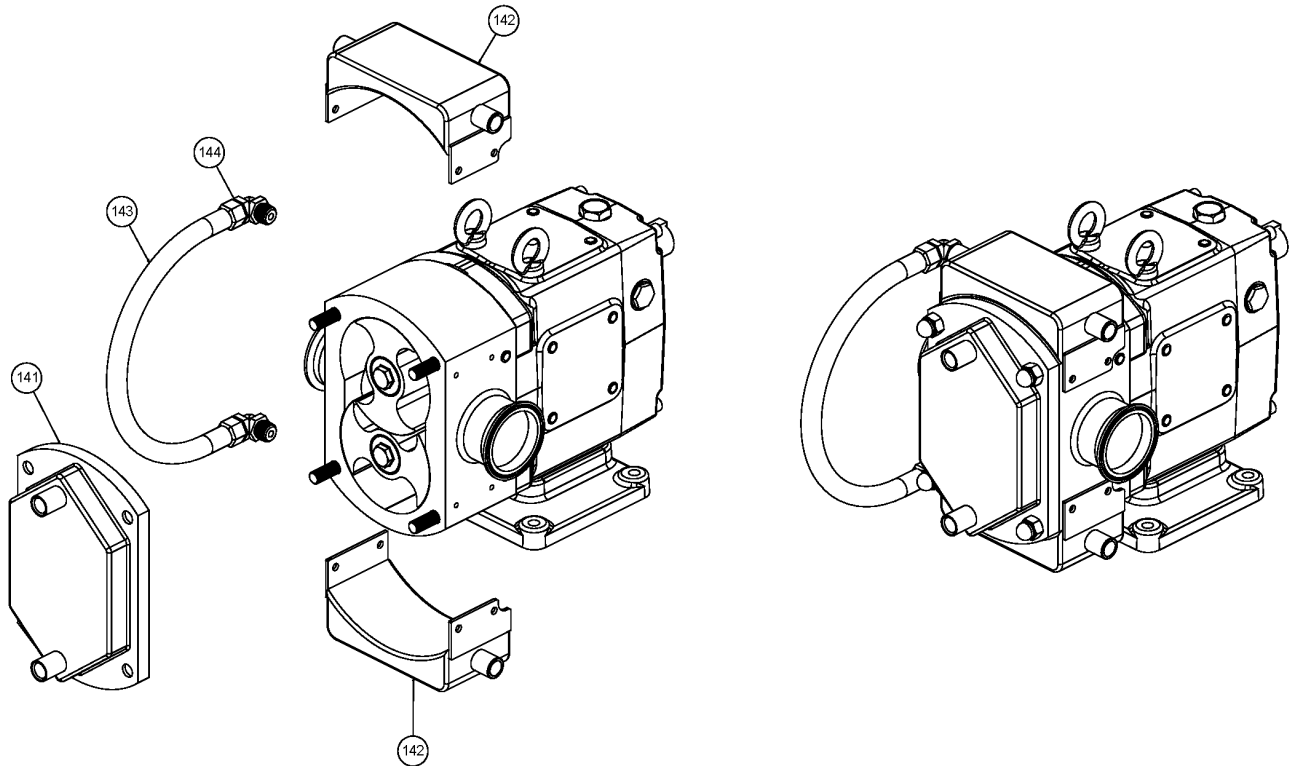
Ref #	Component Item No.	Description	Qty Per
77	AL20-RB02-SS	ROTOR BOLT - (SLOTTED) <b>**Not Shown Above</b>	2
120	GX5517145	BOLT, HEX HEAD	1
121	GX5517000	NUT, HEX HEAD	1
122	AL20-RH02-SS	RELIEF VALVE HOUSING	1
123	GX5512110	BOLT, HEX HEAD	6
124	GX5512010	LOCK WASHER	6
125	AL20-RP04-SS	ADJUSTMENT PIN	1
126	AL20-RS03-CS	SPRING	1
127	AL20-RV02-SS	VALVE HEAD	1
128	AL20-WR01-PF	WEAR RING, TEFLON	1
129	E70144	O-RING, EPDM	1
	V70144	O-RING, VITON	1
130	AL20-FC06-SS	FRONT COVER, VENTED	1
131	AL20-FR01-SS	FRONT COVER ASSEMBLY, VENTED	1



**Lip Seal**

*Optional Items Shown in ITALICS*

Ref #	Component Item No.	Description	Qty Per
76	<b>E70031</b>	<b>O-RING FOR ROTOR - EPDM</b>	<b>2</b>
	<i>V70031</i>	<i>O-RING FOR ROTOR - VITON</i>	<i>2</i>
103	<b>AL00-BT01-SS</b>	<b>CAP SCREW FOR OIL SEAL GLAND</b>	<b>6</b>
112	<b>AL20-SE08-SS</b>	<b>SLEEVE, CHROME OXIDE COATED</b>	<b>2</b>
113	<b>AL20-SE05-S3</b>	<b>SS GLAND FOR DOUBLE LIP SEAL FOR PRODUCT</b>	<b>2</b>
	<i>AL20-SE06-S3</i>	<i>SS GLAND FOR TRIPLE LIP SEAL FOR PRODUCT</i>	<i>2</i>
114	<b>E70141</b>	<b>O-RING, DOUBLE LIP SEAL - EPDM</b>	<b>2</b>
	<i>V70141</i>	<i>O-RING, DOUBLE LIP SEAL - VITON</i>	<i>2</i>
115	<b>AL20-SE05-S2</b>	<b>DOUBLE LIP SEAL FOR PRODUCT - TEFLON</b>	<b>2</b>
	<i>AL20-SE06-S2</i>	<i>TRIPLE LIP SEAL FOR PRODUCT - TEFLON</i>	<i>2</i>

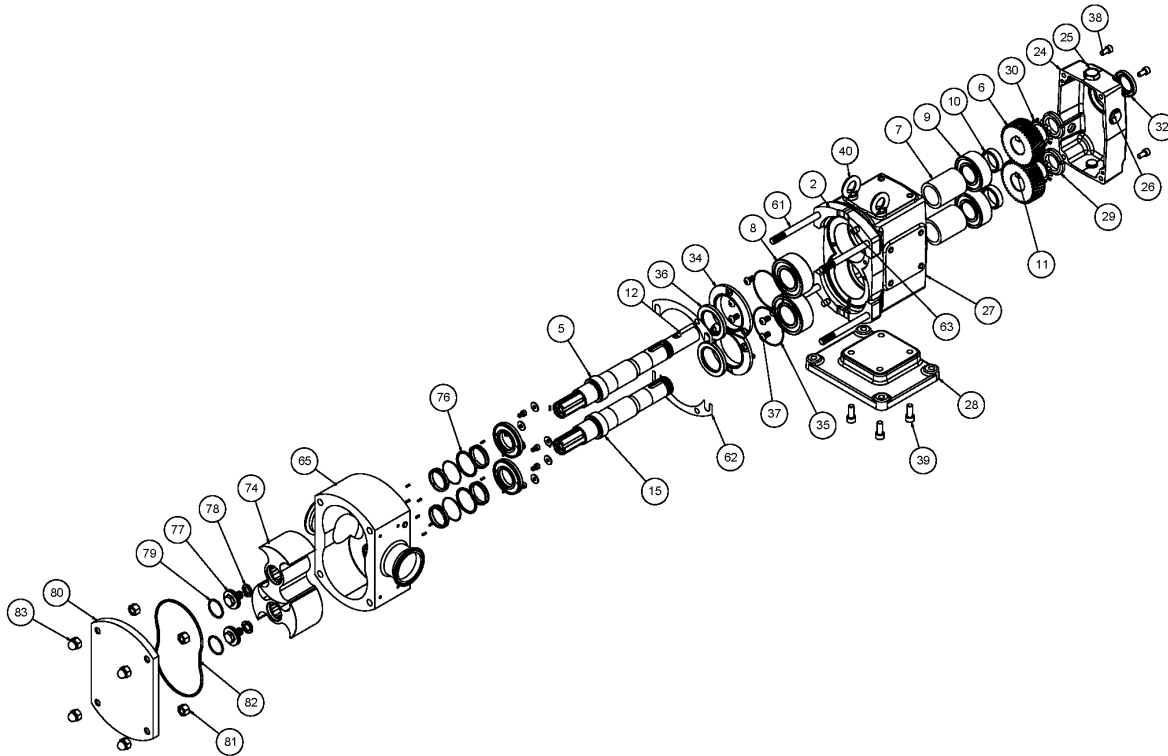


**Heating Jackets**

*Optional Items Shown in ITALICS*

Ref #	Component Item No.	Description	Qty Per
141	AL20-FC04-SS	FRONT COVER WITH JACKET	1
142	AL20-HJ04-SS	CASE HEATING JACKET FOR BODY TOP - AL25	1
	AL20-HJ05-SS	CASE HEATING JACKET FOR BODY BOTTOM - AL25	1
143	AL20-HJ03-SS	CASE HEATING JACKET FOR TUBE ASS'Y - AL200	1
144	AL00-HJ01-SS	ELBOW,HEATING JCKT - AL	2

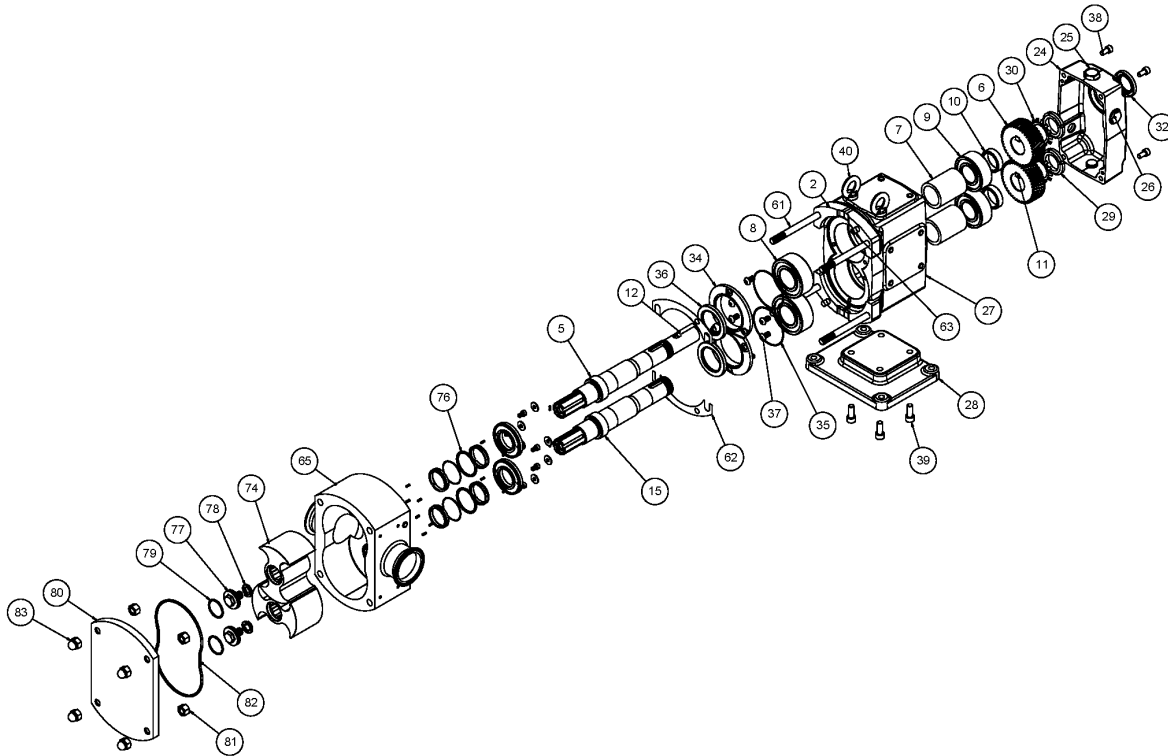




**Exploded View**

*Optional Items Shown in ITALICS*

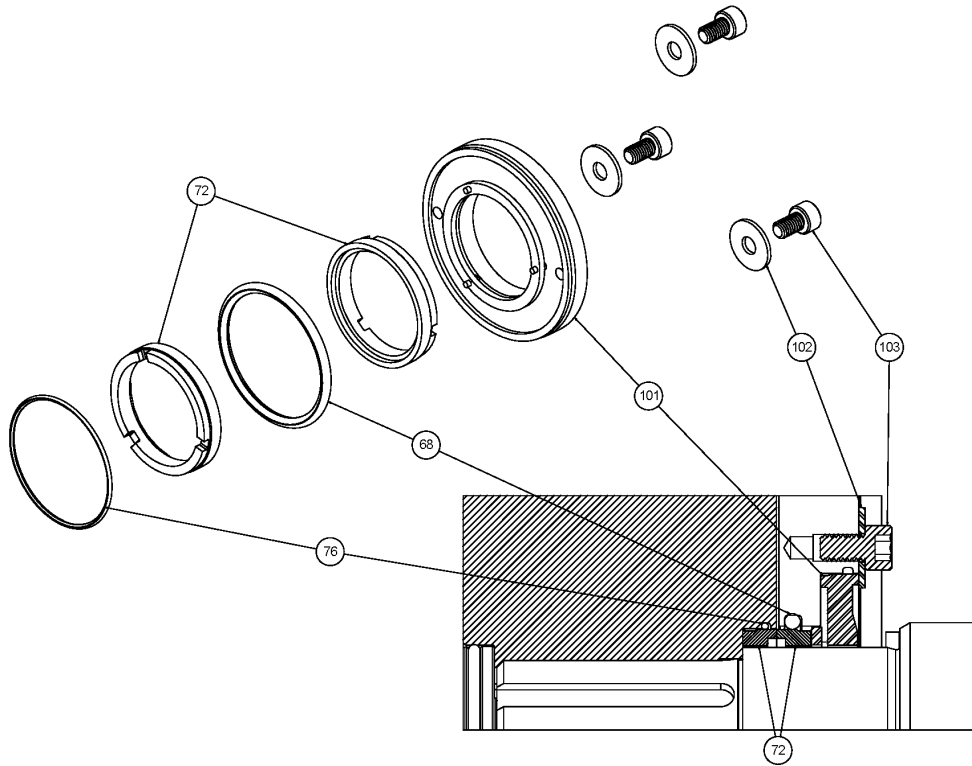
Ref #	Component Item No.	Description	Qty Per
2	AL20-GB03-SS	GEAR BOX - SS	1
5	AL20-SF03-SS	DRIVE SHAFT - AL25	1
6	AL20-HG01-CS	HELICAL GEAR - LEFT HAND	1
	AL20-HG02-CS	HELICAL GEAR - RIGHT HAND	1
7	AL20-BS01-CS	BEARING SPACER	2
8	AL20-BE01-CC	FRONT BEARING	2
9	AL20-BE02-CS	REAR BEARING	2
10	AL20-GS01-CS	GEAR SPACER	2
11	AL20-GK01-CS	GEAR KEY - 10x8x27	2
12	AL20-SK01-CS	SHAFT KEY - 10x8x50	1
15	AL20-SF04-SS	SHORT SHAFT - AL25	1
24	AL20-GB04-SS	GEAR BOX COVER - SS	1
25	P1GX115798	HEX PLUG WITH NBR SEAL	2
26	P1GX115799	OIL LEVEL INDICATOR	2
27	AL10-PN05-SS	DOWEL FOR GEAR BOX	2
28	AL20-GB05-SS	GEAR BOX BASE - SS	1
29	AL20-LN01-CS	LOCK NUT	2
30	AL20-LW01-CS	LOCK WASHER	2
32	AL20-OS02-L3	REAR OIL SEAL - NBR	1
34	AL20-OS01-SS	OIL SEAL GLAND	2
35	N70041	O-RING FOR OIL SEAL GLAND - NBR	2
36	AL20-OS01-L3	FRONT OIL SEAL - NBR	2
37	AL20-BT01-SS	CAP SCREW FOR OIL SEAL GLAND	6
38	AL20-BT02-SS	CAP SCREW FOR GEAR BOX COVER	4
39	AL20-BT03-SS	CAP SCREW FOR GEAR BASE	4
40	AL20-BT04-SS	EYEBOLT	2
61	AL20-SB02-SS	CASE STUD BOLT - AL25	4



**Exploded View**

*Optional Items Shown in ITALICS*

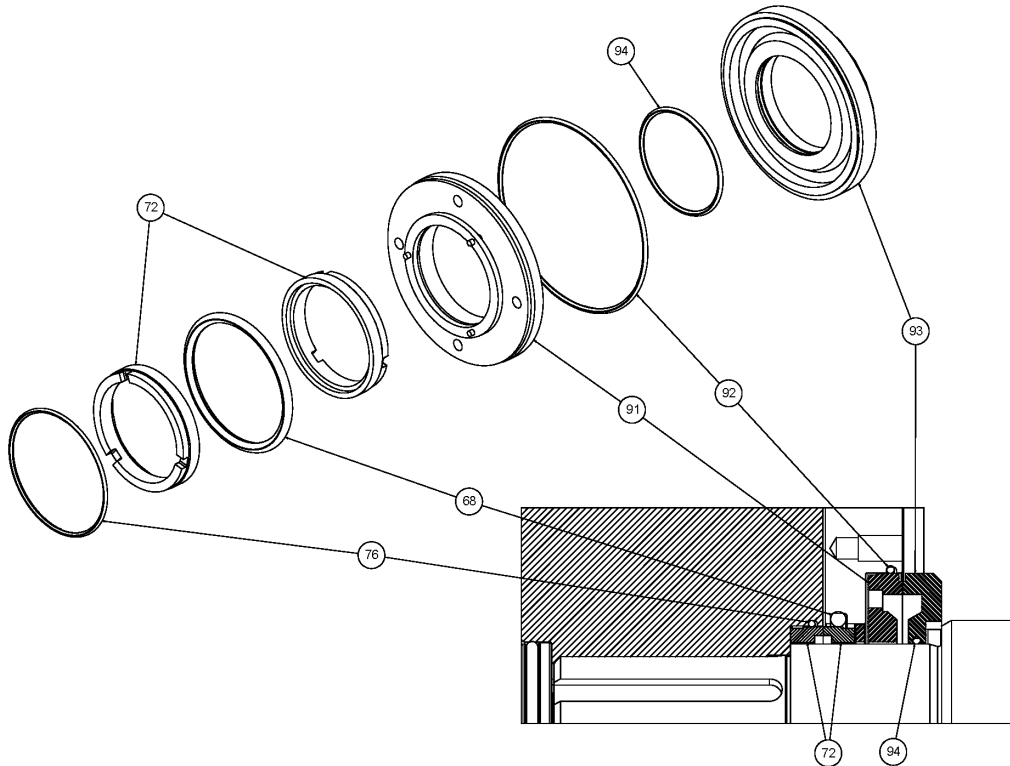
Ref #	Component Item No.	Description	Qty Per
62	AL20-SP01-SS-02	SHIM - 0.002" THICKNESS - AL200 SERIES	2
	AL20-SP01-SS-04	SHIM - 0.004" THICKNESS - AL200 SERIES	2
63	AL20-PN04-SS	DOWEL FOR CASE	2
65	AL20-RC47-SS	ROTOR CASE - AL25	1
74	AL20-RT12-SS-1	ROTOR BI-WING (TOP) - AL25	1
	AL20-RT12-SS-2	ROTOR BI-WING (SIDE) - AL25	1
	AL20-RT13-SS-1	ROTOR BI-WING (TOP) - AL25 - HOT	1
	AL20-RT13-SS-2	ROTOR BI-WING (SIDE) - AL25 - HOT	1
	AL20-RT11-SS-1	ROTOR SINGLE-WING (TOP) - AL25	2
	AL20-RT11-SS-1H	ROTOR SINGLE-WING (TOP) - HOT - AL25	2
	AL20-RT14-SS-1	ROTOR TRI-LOBE (TOP) - AL25	2
76	E70031	O-RING FOR ROTOR - EPDM	2
	V70031	O-RING FOR ROTOR - VITON	2
77	AL20-RB01-SS	ROTOR BOLT - (HEX HEAD)	2
	AL20-RB02-SS	ROTOR BOLT - (SLOTTED) <i>**Pressure Relief Cover Only</i>	2
78	AL20-SW01-SS	SPRING WASHER FOR ROTOR BOLT	2
79	E70125	O-RING FOR ROTOR BOLT - EPDM	2
	V70125	O-RING FOR ROTOR BOLT - VITON	2
80	AL20-FC02-SS	FRONT COVER	1
81	AL20-HN01-SS	HEX NUT/STUD BOLT LOCK	4
82	E70261	O-RING FOR FRONT COVER - EPDM	1
	V70261	O-RING FOR FRONT COVER - VITON	1
	TE70261	O-RING FOR FRONT COVER - TEFLON ENCAP	1
83	AL20-CN01-SS	CAP NUT	4



**Single Mechanical Seal**

*Optional Items Shown in ITALICS*

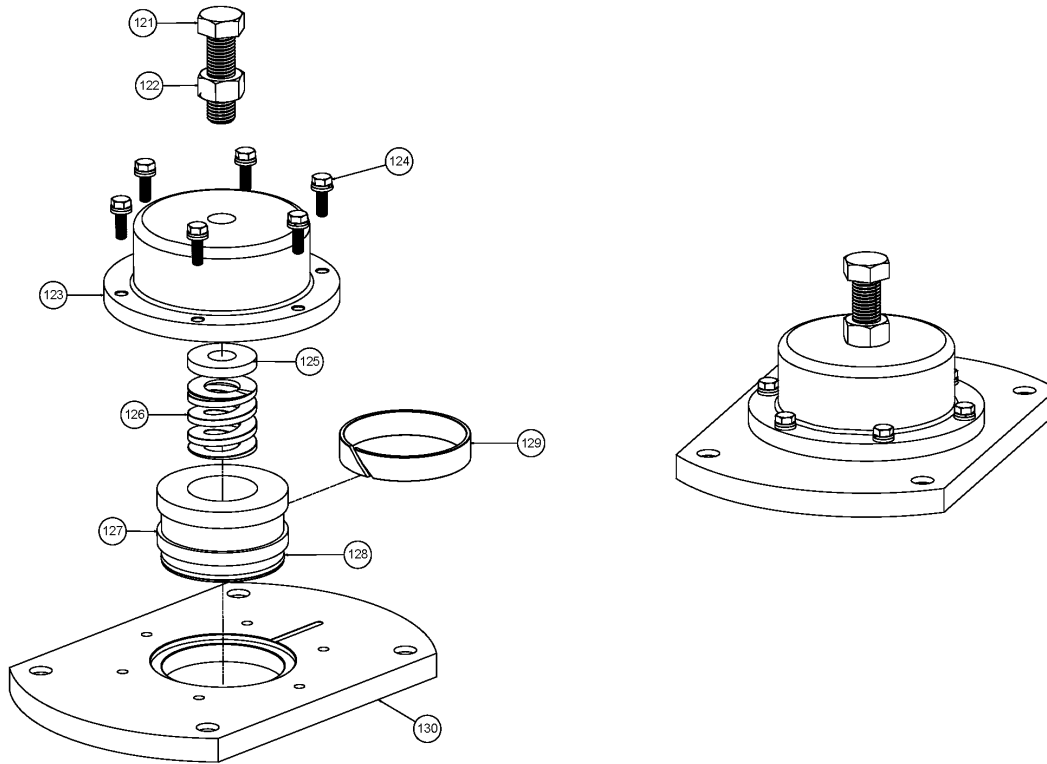
Ref #	Component Item No.	Description	Qty Per
68	<b>E70225</b>	<b>O-RING FOR ROTOR CASE - EPDM</b>	<b>2</b>
	<i>V70225</i>	<i>O-RING FOR ROTOR CASE - VITON</i>	<i>2</i>
72	<b>AL20-SE06-SS</b>	<b>SEAL/MECHANICAL SEAL RING - TC</b>	<b>4</b>
	<i>AL20-SE07-SS</i>	<i>SEAL/MECHANICAL SEAL RING - SC</i>	<i>4</i>
76	<b>E70031</b>	<b>O-RING FOR ROTOR - EPDM</b>	<b>2</b>
	<i>V70031</i>	<i>O-RING FOR ROTOR - VITON</i>	<i>2</i>
101	<b>AL20-SE01-S3</b>	<b>SEAL/SINGLE MECH SEAL BASE</b>	<b>2</b>
102	<b>AL00-WS01-SS</b>	<b>DIN M6 FENDER WASHER</b>	<b>6</b>
103	<b>AL00-BT01-SS</b>	<b>CAP SCREW FOR OIL SEAL GLAND</b>	<b>6</b>



**Double Mechanical Seal**

*Optional Items Shown in ITALICS*

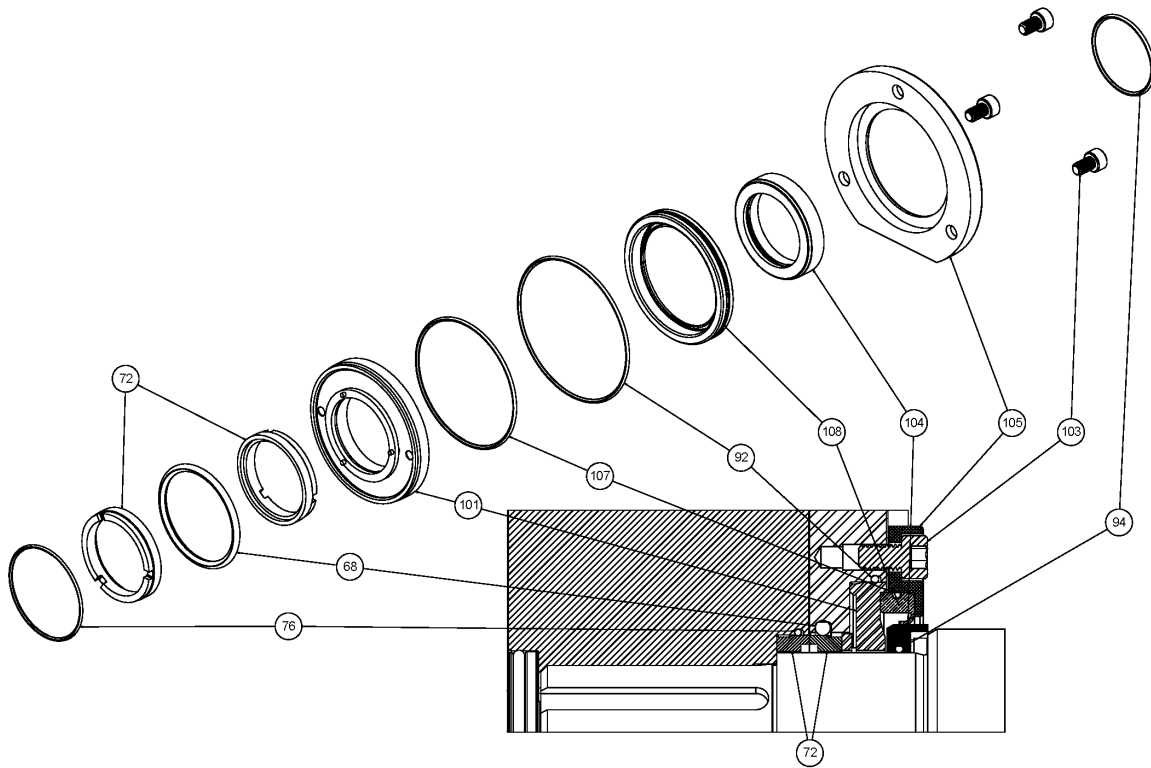
Ref #	Component Item No.	Description	Qty Per
68	<b>E70225</b>	<b>O-RING FOR ROTOR CASE - EPDM</b>	<b>2</b>
	<i>V70225</i>	<i>O-RING FOR ROTOR CASE - VITON</i>	<i>2</i>
72	<b>AL20-SE06-SS</b>	<b>SEAL/MECHANICAL SEAL RING - TC</b>	<b>4</b>
	<i>AL20-SE07-SS</i>	<i>SEAL/MECHANICAL SEAL RING - SC</i>	<i>4</i>
76	<b>E70031</b>	<b>O-RING FOR ROTOR - EPDM</b>	<b>2</b>
	<i>V70031</i>	<i>O-RING FOR ROTOR - VITON</i>	<i>2</i>
91	<b>AL20-SE01-S5</b>	<b>DOUBLE SEAL REAR BASE - SC</b>	<b>2</b>
	<i>AL20-SE01-S6</i>	<i>DOUBLE SEAL REAR BASE - TC</i>	<i>2</i>
92	<b>E70039</b>	<b>O-RING FOR DOUBLE SEAL CASE - EPDM</b>	<b>2</b>
	<i>V70039</i>	<i>O-RING FOR DOUBLE SEAL CASE - VITON</i>	<i>2</i>
93	<b>AL20-SE02-S2</b>	<b>SEAL/FLUSHED SEAL UNIT - SC</b>	<b>2</b>
	<i>AL20-SE02-S1</i>	<i>SEAL/FLUSHED SEAL UNIT - TC</i>	<i>2</i>
94	<b>E70029</b>	<b>O-RING FOR DOUBLE SEAL SHAFT - EPDM</b>	<b>2</b>
	<i>V70029</i>	<i>O-RING FOR DOUBLE SEAL SHAFT - VITON</i>	<i>2</i>



**Pressure Relief Cover**

*Optional Items Shown in ITALICS*

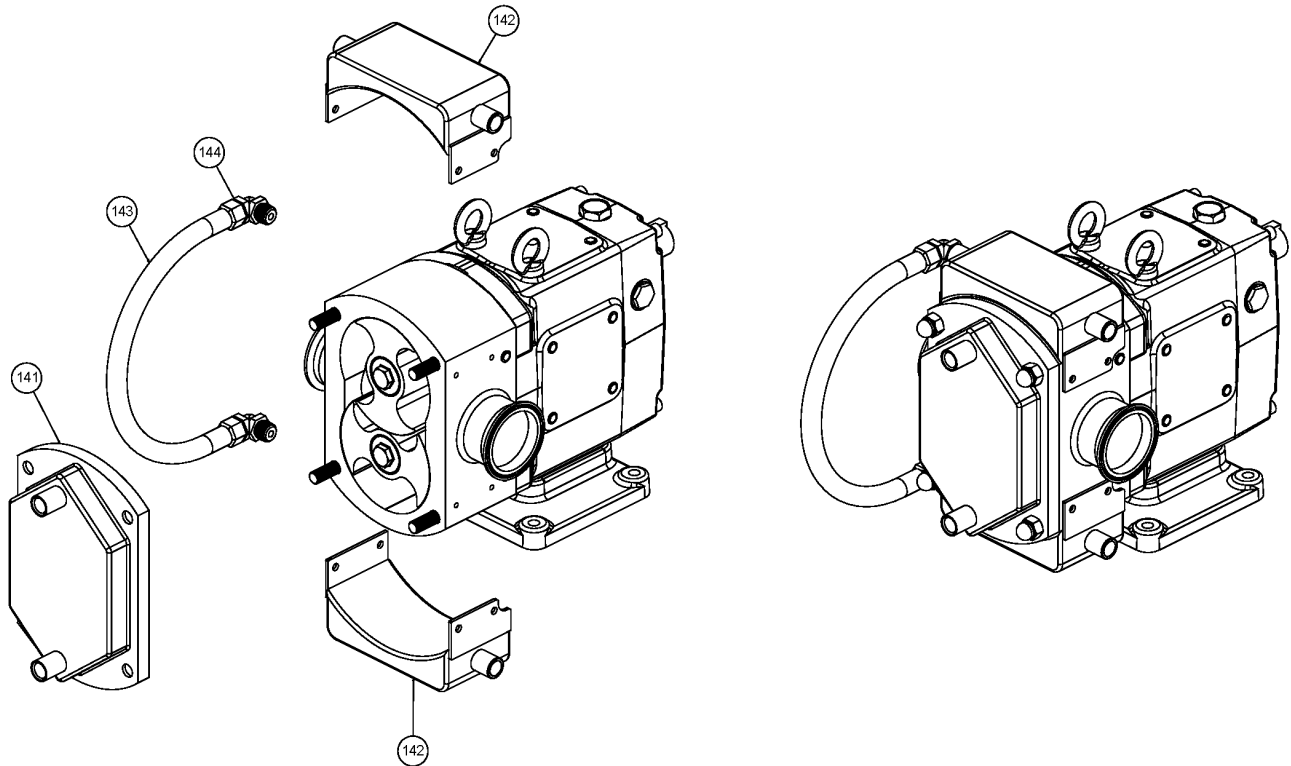
Ref #	Component Item No.	Description	Qty Per
77	AL20-RB02-SS	ROTOR BOLT - (SLOTTED) <b>**Not Shown Above</b>	2
120	GX5517145	BOLT, HEX HEAD	1
121	GX5517000	NUT, HEX HEAD	1
122	AL20-RH02-SS	RELIEF VALVE HOUSING	1
123	GX5512110	BOLT, HEX HEAD	6
124	GX5512010	LOCK WASHER	6
125	AL20-RP04-SS	ADJUSTMENT PIN	1
126	AL20-RS03-CS	SPRING	1
127	AL20-RV02-SS	VALVE HEAD	1
128	AL20-WR01-PF	WEAR RING, TEFLON	1
129	E70144	O-RING, EPDM	1
	V70144	O-RING, VITON	1
130	AL20-FC06-SS	FRONT COVER, VENTED	1
131	AL20-FR01-SS	FRONT COVER ASSEMBLY, VENTED	1



**Single Mechanical Seal with Flush**

*Optional Items Shown in ITALICS*

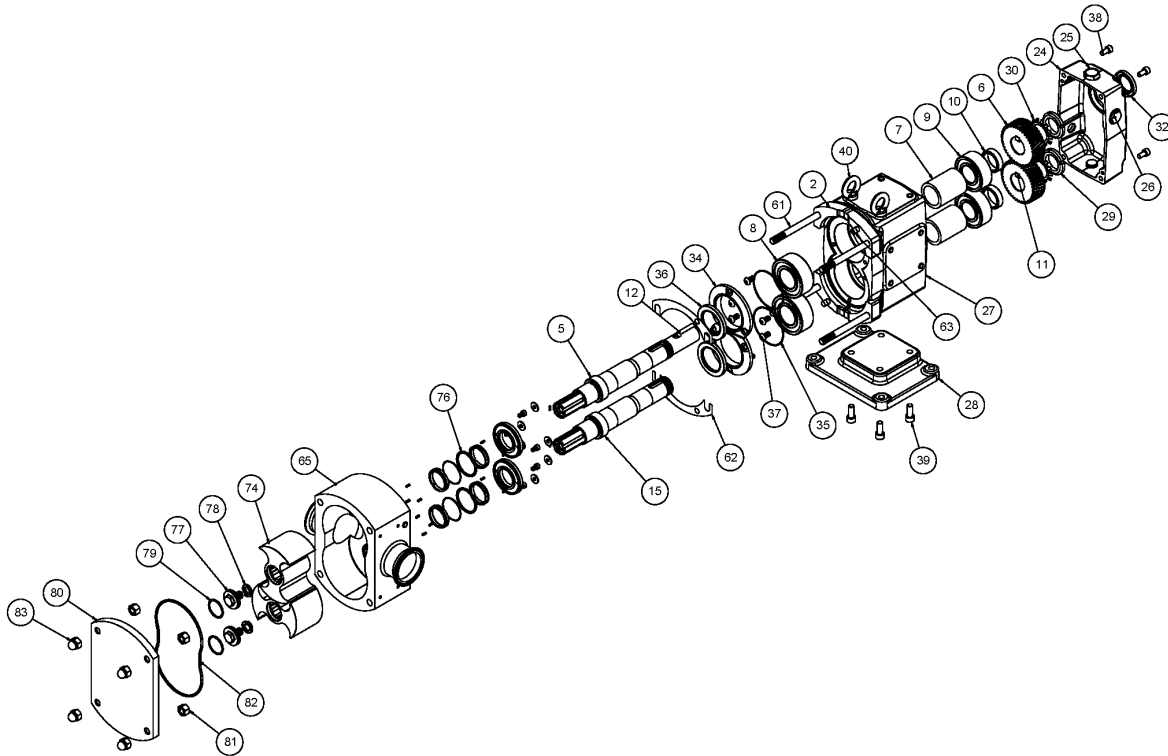
Ref #	Component Item No.	Description	Qty Per
68	<b>E70225</b>	<b>O-RING FOR ROTOR CASE - EPDM</b>	<b>2</b>
	<i>V70225</i>	<i>O-RING FOR ROTOR CASE - VITON</i>	<i>2</i>
72	<b>AL20-SE06-SS</b>	<b>SEAL/MECHANICAL SEAL RING - TC</b>	<b>4</b>
	<i>AL20-SE07-SS</i>	<i>SEAL/MECHANICAL SEAL RING - SC</i>	<i>4</i>
76	<b>E70031</b>	<b>O-RING FOR ROTOR - EPDM</b>	<b>2</b>
	<i>V70031</i>	<i>O-RING FOR ROTOR - VITON</i>	<i>2</i>
101	<b>AL20-SE01-S3</b>	<b>SEAL/SINGLE MECH SEAL BASE</b>	<b>2</b>
103	<b>AL00-BT01-SS</b>	<b>CAP SCREW FOR OIL SEAL GLAND</b>	<b>6</b>
104	<b>AL20-FL02-CE</b>	<b>CERMAIC SLEEVE FOR FLUSHING</b>	<b>2</b>
105	<b>AL20-FL03-SS</b>	<b>SS GLAND FOR FLUSHING</b>	<b>2</b>
107	<b>E70036</b>	<b>O-RING FOR FLUSHED LIP - EPDM</b>	<b>2</b>
	<i>V70036</i>	<i>O-RING FOR FLUSHED LIP - VITON</i>	<i>2</i>
108	<b>AL20-FL01-PF</b>	<b>PTFE - LIP SEAL FOR FLUSHING</b>	<b>2</b>



**Heating Jackets**

*Optional Items Shown in ITALICS*

Ref #	Component Item No.	Description	Qty Per
141	AL20-FC04-SS	FRONT COVER WITH JACKET	1
142	AL20-HJ04-SS	CASE HEATING JACKET FOR BODY TOP - AL25	1
	AL20-HJ05-SS	CASE HEATING JACKET FOR BODY BOTTOM - AL25	1
143	AL20-HJ03-SS	CASE HEATING JACKET FOR TUBE ASS'Y - AL200	1
144	AL00-HJ01-SS	ELBOW,HEATING JCKT - AL	2

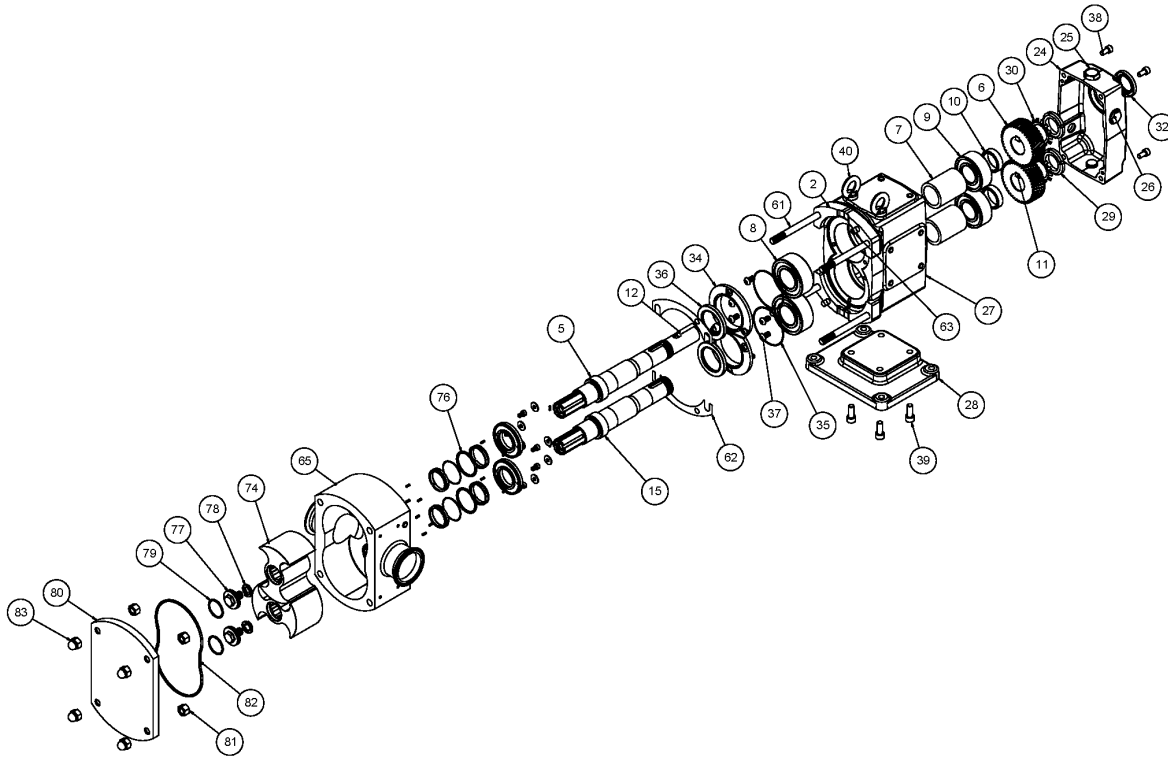


**Exploded View**

*Optional Items Shown in ITALICS*

Ref #	Component Item No.	Description	Qty Per
2	AL20-GB03-SS	GEAR BOX - SS	1
5	AL20-SF03-SS	DRIVE SHAFT - AL25	1
6	AL20-HG01-CS	HELICAL GEAR - LEFT HAND	1
	AL20-HG02-CS	HELICAL GEAR - RIGHT HAND	1
7	AL20-BS01-CS	BEARING SPACER	2
8	AL20-BE01-CC	FRONT BEARING	2
9	AL20-BE02-CS	REAR BEARING	2
10	AL20-GS01-CS	GEAR SPACER	2
11	AL20-GK01-CS	GEAR KEY - 10x8x27	2
12	AL20-SK01-CS	SHAFT KEY - 10x8x50	1
15	AL20-SF04-SS	SHORT SHAFT - AL25	1
24	AL20-GB04-SS	GEAR BOX COVER - SS	1
25	P1GX115798	HEX PLUG WITH NBR SEAL	2
26	P1GX115799	OIL LEVEL INDICATOR	2
27	AL10-PN05-SS	DOWEL FOR GEAR BOX	2
28	AL20-GB05-SS	GEAR BOX BASE - SS	1
29	AL20-LN01-CS	LOCK NUT	2
30	AL20-LW01-CS	LOCK WASHER	2
32	AL20-OS02-L3	REAR OIL SEAL - NBR	1
34	AL20-OS01-SS	OIL SEAL GLAND	2
35	N70041	O-RING FOR OIL SEAL GLAND - NBR	2
36	AL20-OS01-L3	FRONT OIL SEAL - NBR	2
37	AL20-BT01-SS	CAP SCREW FOR OIL SEAL GLAND	6
38	AL20-BT02-SS	CAP SCREW FOR GEAR BOX COVER	4
39	AL20-BT03-SS	CAP SCREW FOR GEAR BASE	4
40	AL20-BT04-SS	EYEBOLT	2
61	AL20-SB02-SS	CASE STUD BOLT - AL25	4

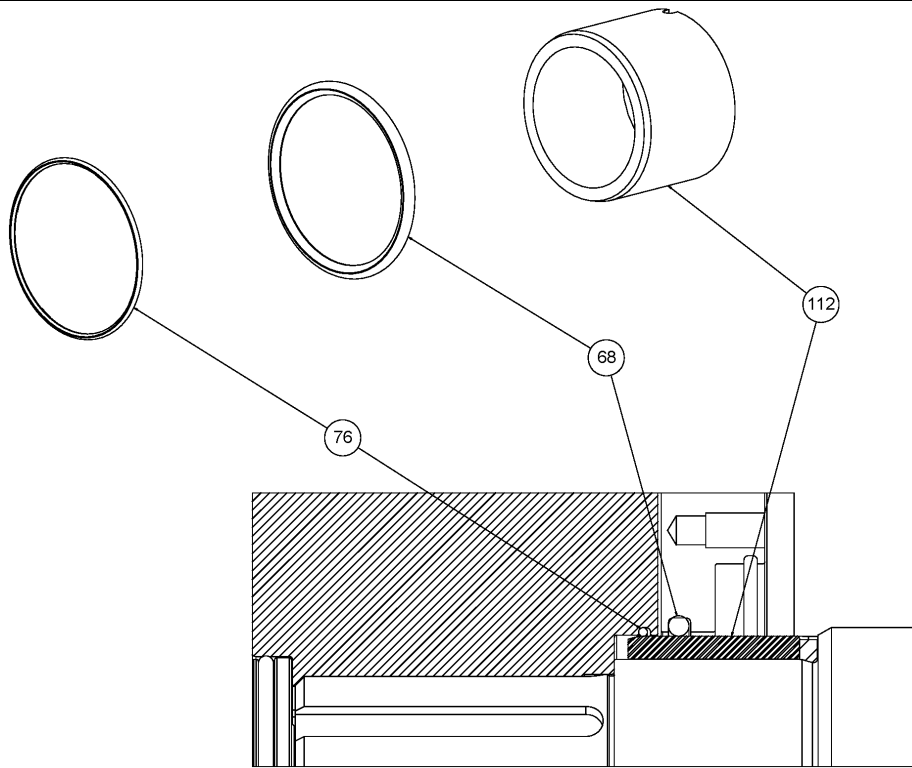




**Exploded View**

*Optional Items Shown in ITALICS*

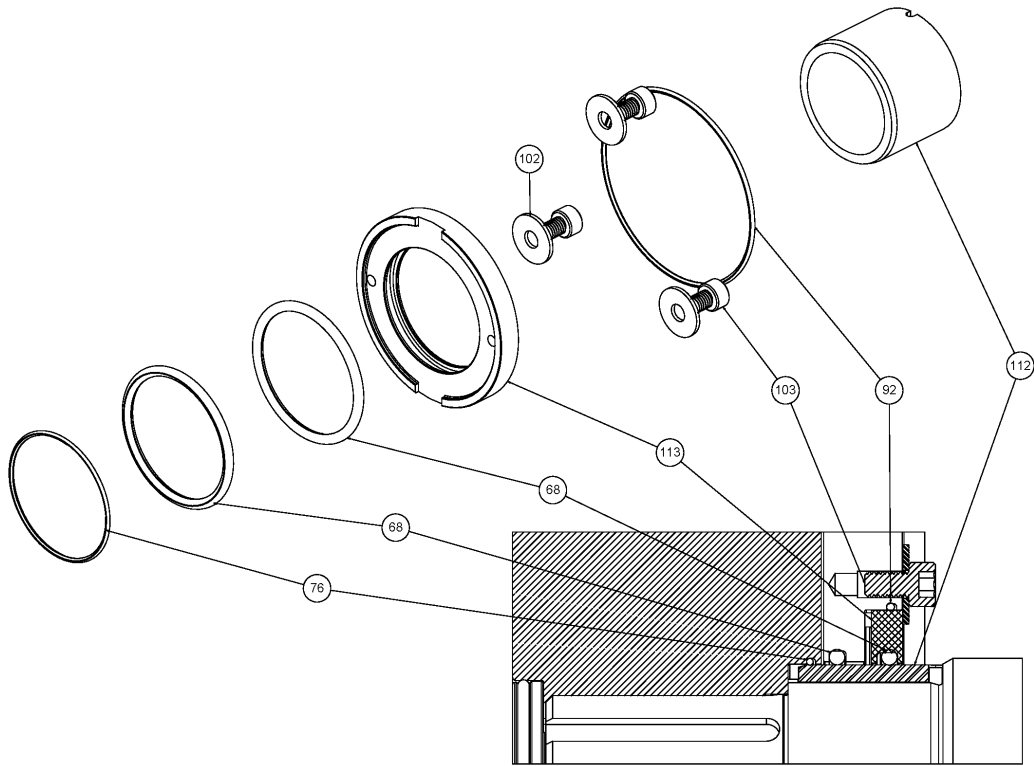
Ref #	Component Item No.	Description	Qty Per
62	AL20-SP01-SS-02	SHIM - 0.002" THICKNESS - AL200 SERIES	2
	AL20-SP01-SS-04	SHIM - 0.004" THICKNESS - AL200 SERIES	2
63	AL20-PN04-SS	DOWEL FOR CASE	2
65	AL20-RC47-SS	ROTOR CASE - AL25	1
74	AL20-RT12-SS-1	ROTOR BI-WING (TOP) - AL25	1
	AL20-RT12-SS-2	ROTOR BI-WING (SIDE) - AL25	1
	AL20-RT13-SS-1	ROTOR BI-WING (TOP) - AL25 - HOT	1
	AL20-RT13-SS-2	ROTOR BI-WING (SIDE) - AL25 - HOT	1
	AL20-RT11-SS-1	ROTOR SINGLE-WING (TOP) - AL25	2
	AL20-RT11-SS-1H	ROTOR SINGLE-WING (TOP) - HOT - AL25	2
	AL20-RT14-SS-1	ROTOR TRI-LOBE (TOP) - AL25	2
76	E70031	O-RING FOR ROTOR - EPDM	2
	V70031	O-RING FOR ROTOR - VITON	2
77	AL20-RB01-SS	ROTOR BOLT - (HEX HEAD)	2
	AL20-RB02-SS	ROTOR BOLT - (SLOTTED) <i>**Pressure Relief Cover Only</i>	2
78	AL20-SW01-SS	SPRING WASHER FOR ROTOR BOLT	2
79	E70125	O-RING FOR ROTOR BOLT - EPDM	2
	V70125	O-RING FOR ROTOR BOLT - VITON	2
80	AL20-FC02-SS	FRONT COVER	1
81	AL20-HN01-SS	HEX NUT/STUD BOLT LOCK	4
82	E70261	O-RING FOR FRONT COVER - EPDM	1
	V70261	O-RING FOR FRONT COVER - VITON	1
	TE70261	O-RING FOR FRONT COVER - TEFLON ENCAP	1
83	AL20-CN01-SS	CAP NUT	4



**Single O-Ring Seal**

*Optional Items Shown in ITALICS*

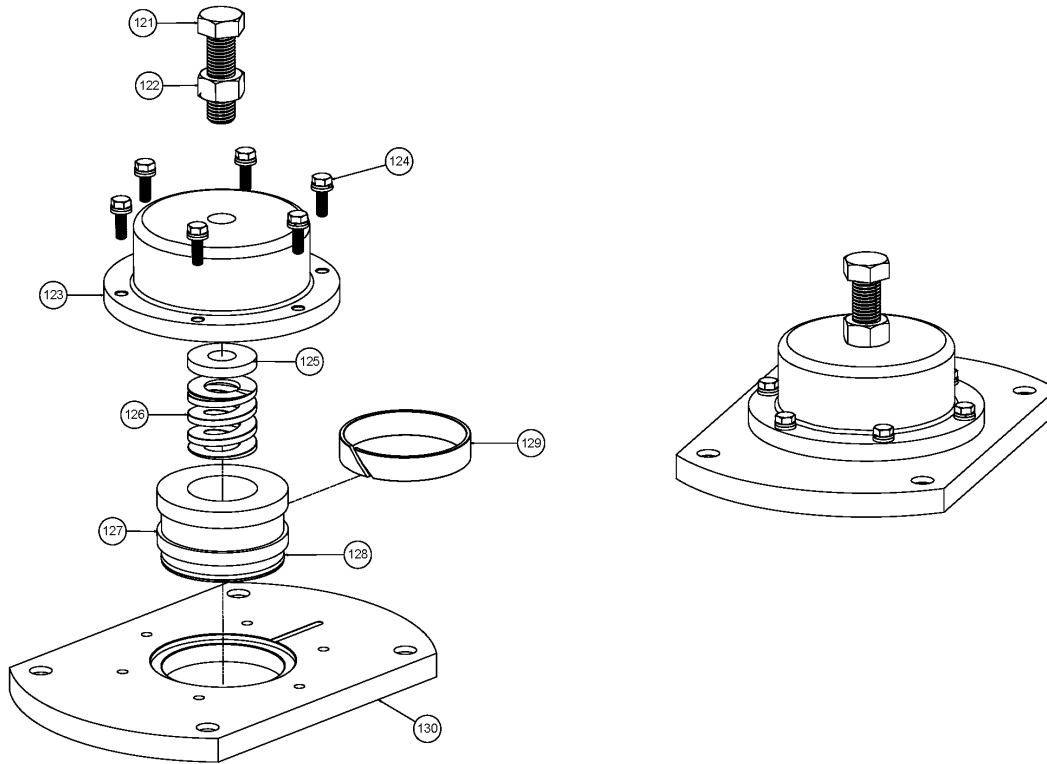
Ref #	Component Item No.	Description	Qty Per
68	<b>E70225</b>	<b>O-RING FOR ROTOR CASE - EPDM</b>	<b>2</b>
	<i>V70225</i>	<i>O-RING FOR ROTOR CASE - VITON</i>	<i>2</i>
76	<b>E70031</b>	<b>O-RING FOR ROTOR - EPDM</b>	<b>2</b>
	<i>V70031</i>	<i>O-RING FOR ROTOR - VITON</i>	<i>2</i>
112	<b>AL20-SE08-SS</b>	<b>SLEEVE, CHROME OXIDE COATED</b>	<b>2</b>
	<i>AL20-SE09-SS</i>	<i>SLEEVE, STAINLESS STEEL</i>	<i>2</i>
	<i>AL20-SE10-SS</i>	<i>SLEEVE, CERAMIC</i>	<i>2</i>



**Double O-Ring Seal**

*Optional Items Shown in ITALICS*

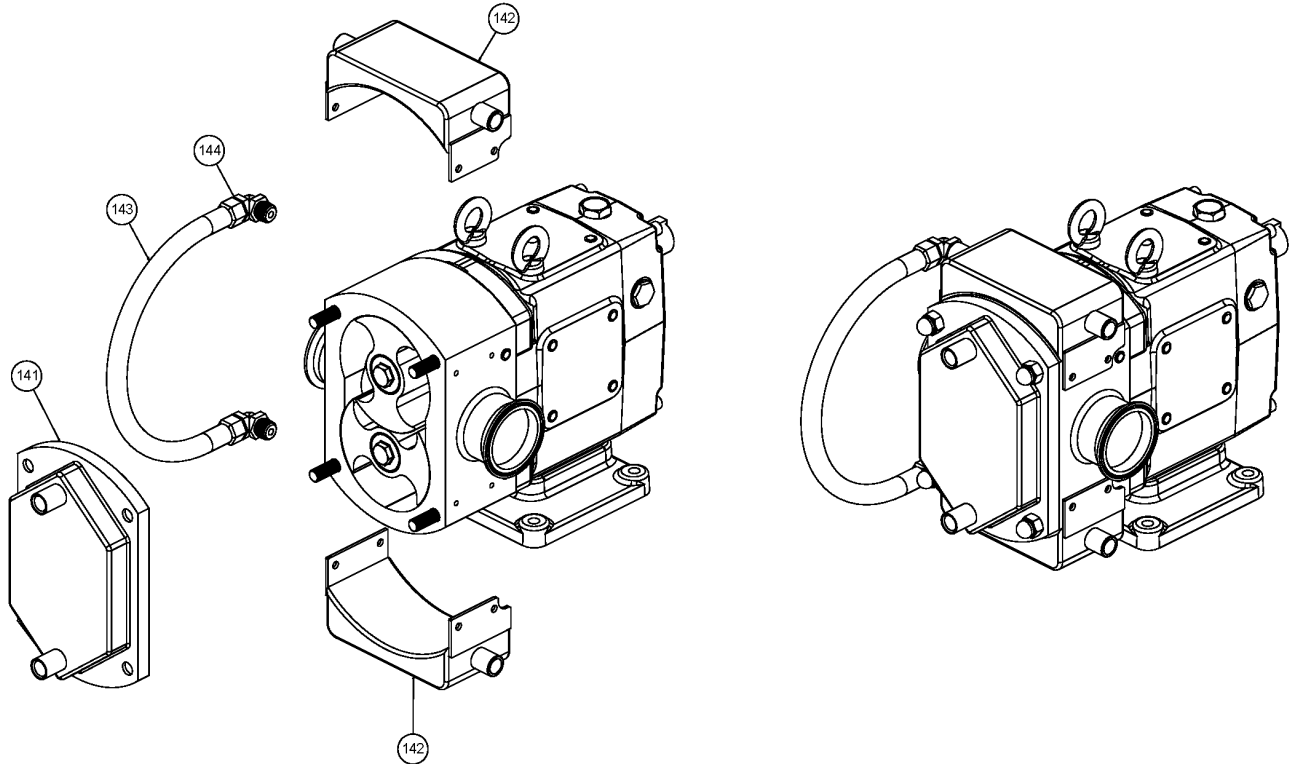
Ref #	Component Item No.	Description	Qty Per
68	V70225	O-RING FOR ROTOR CASE - VITON	2
76	<b>E70031</b>	<b>O-RING FOR ROTOR - EPDM</b>	<b>2</b>
	V70031	O-RING FOR ROTOR - VITON	2
92	<b>E70039</b>	<b>O-RING FOR DOUBLE SEAL CASE - EPDM</b>	<b>2</b>
	V70039	O-RING FOR DOUBLE SEAL CASE - VITON	2
102	<b>AL00-WS01-SS</b>	<b>DIN M6 FENDER WASHER</b>	<b>6</b>
103	<b>AL00-BT01-SS</b>	<b>CAP SCREW FOR OIL SEAL GLAND</b>	<b>6</b>
112	<b>AL20-SE08-SS</b>	<b>SLEEVE, CHROME OXIDE COATED</b>	<b>2</b>
	AL20-SE09-SS	SLEEVE, STAINLESS STEEL	2
	AL20-SE10-SS	SLEEVE, CERAMIC	2
113	<b>AL20-OS02-SS</b>	<b>SS GLAND FOR DOUBLE O-RING</b>	<b>2</b>



**Pressure Relief Cover**

*Optional Items Shown in ITALICS*

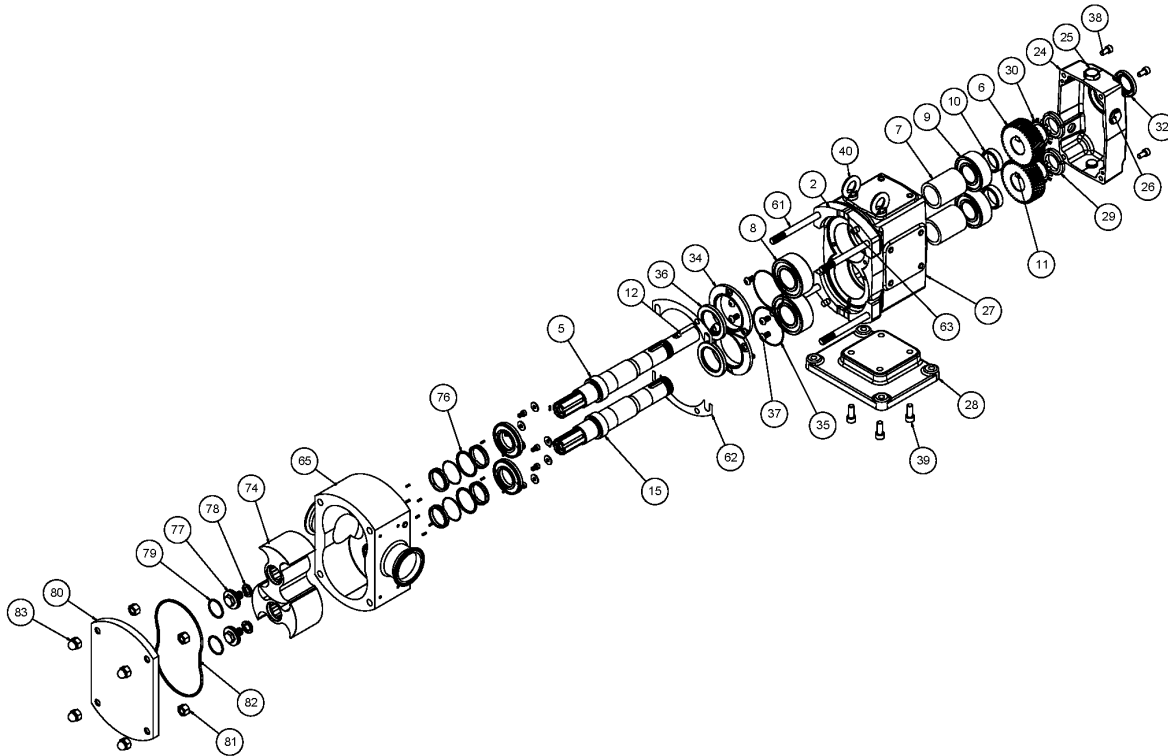
Ref #	Component Item No.	Description	Qty Per
77	AL20-RB02-SS	ROTOR BOLT - (SLOTTED) <b>**Not Shown Above</b>	2
120	GX5517145	BOLT, HEX HEAD	1
121	GX5517000	NUT, HEX HEAD	1
122	AL20-RH02-SS	RELIEF VALVE HOUSING	1
123	GX5512110	BOLT, HEX HEAD	6
124	GX5512010	LOCK WASHER	6
125	AL20-RP04-SS	ADJUSTMENT PIN	1
126	AL20-RS03-CS	SPRING	1
127	AL20-RV02-SS	VALVE HEAD	1
128	AL20-WR01-PF	WEAR RING, TEFLON	1
129	E70144	O-RING, EPDM	1
	V70144	O-RING, VITON	1
130	AL20-FC06-SS	FRONT COVER, VENTED	1
131	AL20-FR01-SS	FRONT COVER ASSEMBLY, VENTED	1



**Heating Jackets**

*Optional Items Shown in ITALICS*

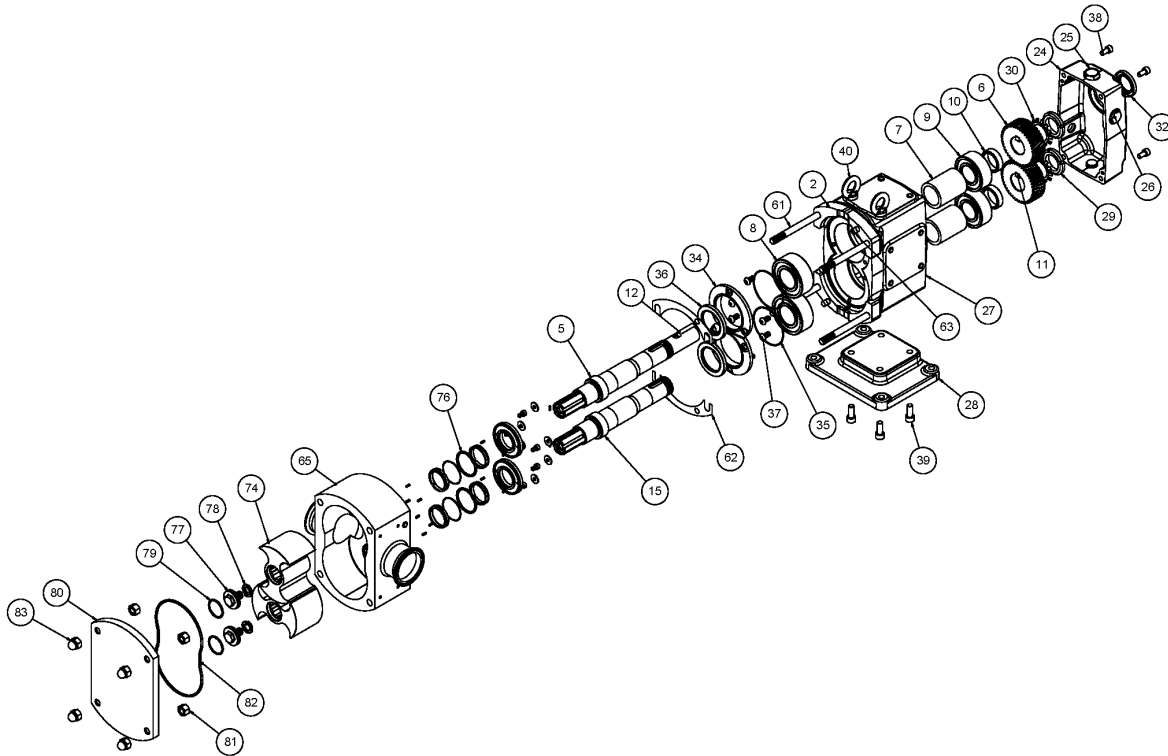
Ref #	Component Item No.	Description	Qty Per
141	AL20-FC04-SS	FRONT COVER WITH JACKET	1
142	AL20-HJ04-SS	CASE HEATING JACKET FOR BODY TOP - AL25	1
	AL20-HJ05-SS	CASE HEATING JACKET FOR BODY BOTTOM - AL25	1
143	AL20-HJ03-SS	CASE HEATING JACKET FOR TUBE ASS'Y - AL200	1
144	AL00-HJ01-SS	ELBOW,HEATING JCKT - AL	2



**Exploded View**

*Optional Items Shown in ITALICS*

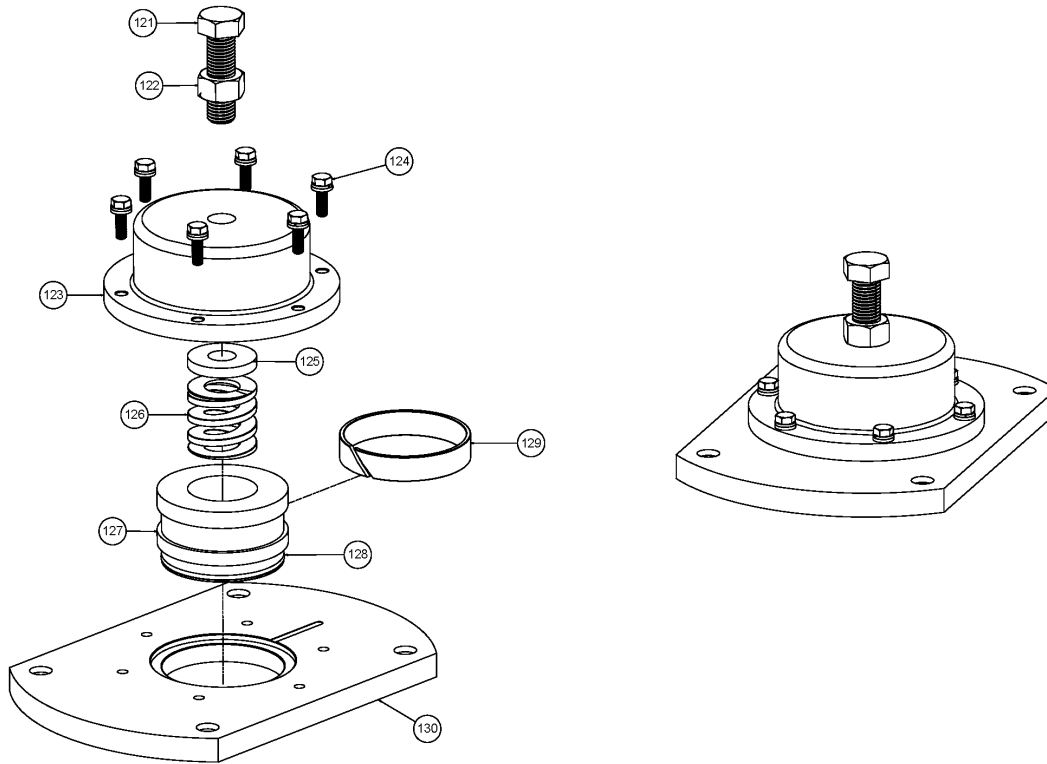
Ref #	Component Item No.	Description	Qty Per
2	AL30-GB03-SS	GEAR BOX - SS	1
5	AL30-SF01-SS	DRIVE SHAFT - AL33	1
6	AL30-HG01-CS	HELICAL GEAR - LEFT HAND	1
	AL30-HG02-CS	HELICAL GEAR - RIGHT HAND	1
7	AL30-BS01-CS	BEARING SPACER	2
8	AL30-BE01-CC	FRONT BEARING	2
9	AL30-BE02-CS	REAR BEARING	2
10	AL30-GS01-CS	GEAR SPACER	2
11	AL30-GK01-CS	GEAR KEY - 14x9x36	2
12	AL30-SK01-CS	SHAFT KEY - 14x9x36	1
15	AL30-SF02-SS	SHORT SHAFT - AL33	1
24	AL30-GB04-SS	GEAR BOX COVER - SS	1
25	P1GX115798	HEX PLUG WITH NBR SEAL	2
26	P1GX115799	OIL LEVEL INDICATOR	2
27	AL30-PN05-SS	DOWEL FOR GEAR BOX, AL300/AL400	2
28	AL30-GB05-SS	GEAR BOX BASE - SS	1
29	AL30-LN01-CS	LOCK NUT	2
30	AL30-LW01-CS	LOCK WASHER	2
32	AL30-OS02-L3	REAR OIL SEAL - NBR	1
34	AL30-OS01-SS	OIL SEAL GLAND	2
35	N70046	O-RING FOR OIL SEAL GLAND - NBR	2
36	AL30-OS01-L3	FRONT OIL SEAL - NBR	2
37	AL30-BT01-SS	CAP SCREW FOR OIL SEAL GLAND	8
38	AL30-BT02-SS	CAP SCREW FOR GEAR BOX COVER	4
39	AL30-BT03-SS	CAP SCREW FOR GEAR BASE	4
40	AL30-BT04-SS	EYEBOLT	2
61	AL30-SB01-SS	CASE STUD BOLT - AL33	4



**Exploded View**

*Optional Items Shown in ITALICS*

Ref #	Component Item No.	Description	Qty Per
62	AL30-SP01-SS-02	SHIM - 0.002" THICKNESS - AL300 SERIES	2
	AL30-SP01-SS-04	SHIM - 0.004" THICKNESS - AL300 SERIES	2
63	AL30-PN04-SS	DOWEL FOR CASE	2
65	AL30-RC07-SS	ROTOR CASE - AL33	1
68	E70230	O-RING FOR ROTOR CASE - EPDM	2
	V70230	O-RING FOR ROTOR CASE - VITON	2
72	AL30-SE06-SS	SEAL/MECHANICAL SEAL RING - TC	4
	AL30-SE07-SS	SEAL/MECHANICAL SEAL RING - SC	4
74	AL30-RT02-SS-1	ROTOR BI-WING (TOP) - AL33	1
	AL30-RT02-SS-2	ROTOR BI-WING (SIDE) - AL33	1
	AL30-RT02-SS-1H	ROTOR BI-WING (TOP) - AL33 - HOT	1
	AL30-RT02-SS-2H	ROTOR BI-WING (SIDE) - AL33 - HOT	1
	AL30-RT01-SS-1	ROTOR SINGLE-WING (TOP) - AL33	2
	AL30-RT04-SS-1	ROTOR TRI-LOBE (TOP) - AL33	2
76	E70142	O-RING FOR ROTOR - EPDM	2
	V70142	O-RING FOR ROTOR - VITON	2
77	AL30-RB01-SS	ROTOR BOLT - (HEX HEAD)	2
	AL30-RB04-SS	ROTOR BOLT - (SLOTTED) **Pressure Relief Cover Only	2
78	AL30-SW01-SS	SPRING WASHER FOR ROTOR BOLT	2
79	E70225	O-RING FOR ROTOR BOLT - EPDM	2
	V70225	O-RING FOR ROTOR BOLT - VITON	2
80	AL30-FC01-SS	FRONT COVER	1
81	AL30-HN01-SS	HEX NUT/STUD BOLT LOCK	4
82	E70271	O-RING FOR FRONT COVER - EPDM	1
	V70271	O-RING FOR FRONT COVER - VITON	1
	TE70271	O-RING FOR FRONT COVER - TEFLON ENCAP	1
83	AL30-CN01-SS	CAP NUT	4

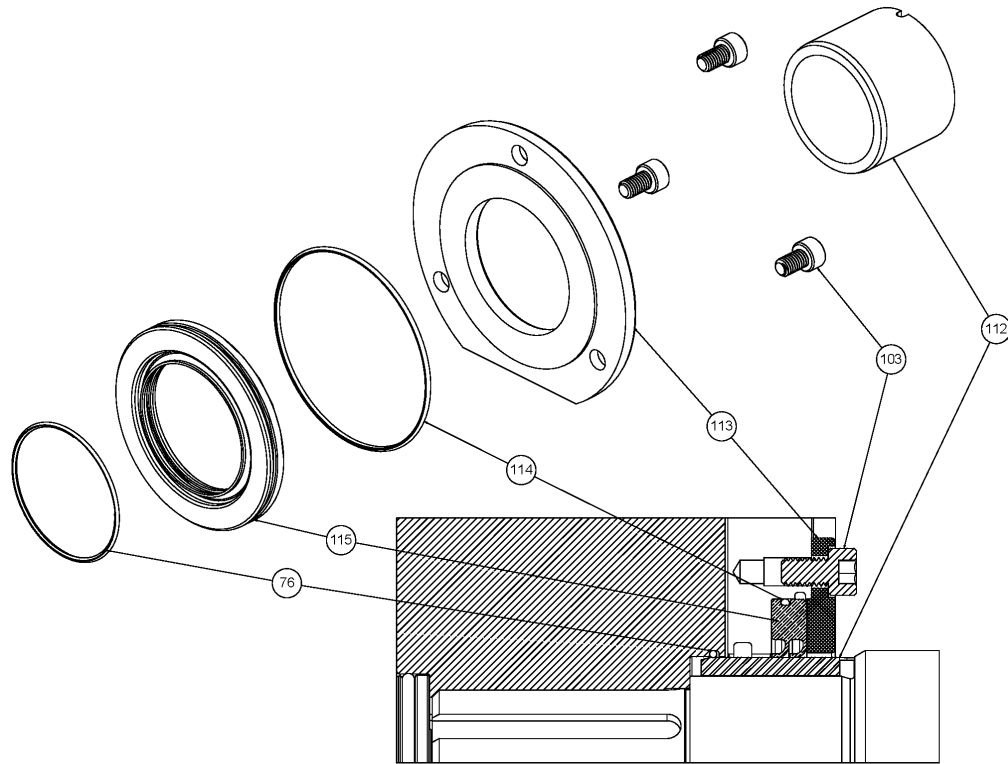


**Pressure Relief Cover**

*Optional Items Shown in ITALICS*

Ref #	Component Item No.	Description	Qty Per
77	AL30-RB04-SS	ROTOR BOLT - (SLOTTED) <b>**Not Shown Above</b>	2
120	GX5519190	BOLT, HEX HEAD	1
121	GX5519000	NUT, HEX HEAD	1
122	AL30-RH02-SS	RELIEF VALVE HOUSING	1
123	GX5512110	BOLT, HEX HEAD	8
124	GX5512010	LOCK WASHER	8
125	AL40-RP03-SS	ADJUSTMENT PIN, AL300/AL400	1
126	AL30-RS03-CS	SPRING, AL300/AL400	1
127	AL40-RV02-SS	VALVE HEAD, AL300/AL400	1
128	AL40-WR01-PF	WEAR RING, TEFLON, AL300/AL400	1
129	E70238	O-RING, EPDM	1
	V70238	O-RING, VITON	1
130	AL30-FC04-SS	FRONT COVER, VENTED	1
131	AL30-FR01-SS	FRONT COVER ASSEMBLY, VENTED	1

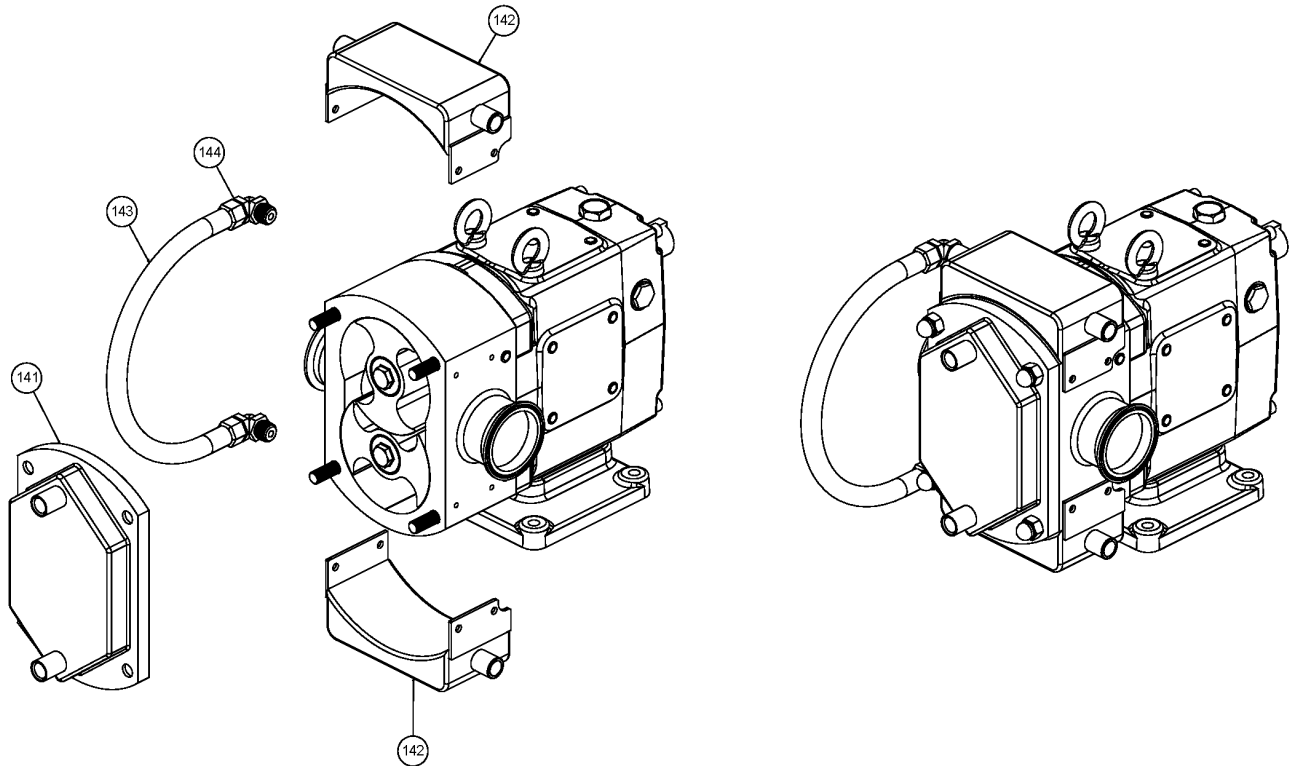




**Lip Seal**

*Optional Items Shown in ITALICS*

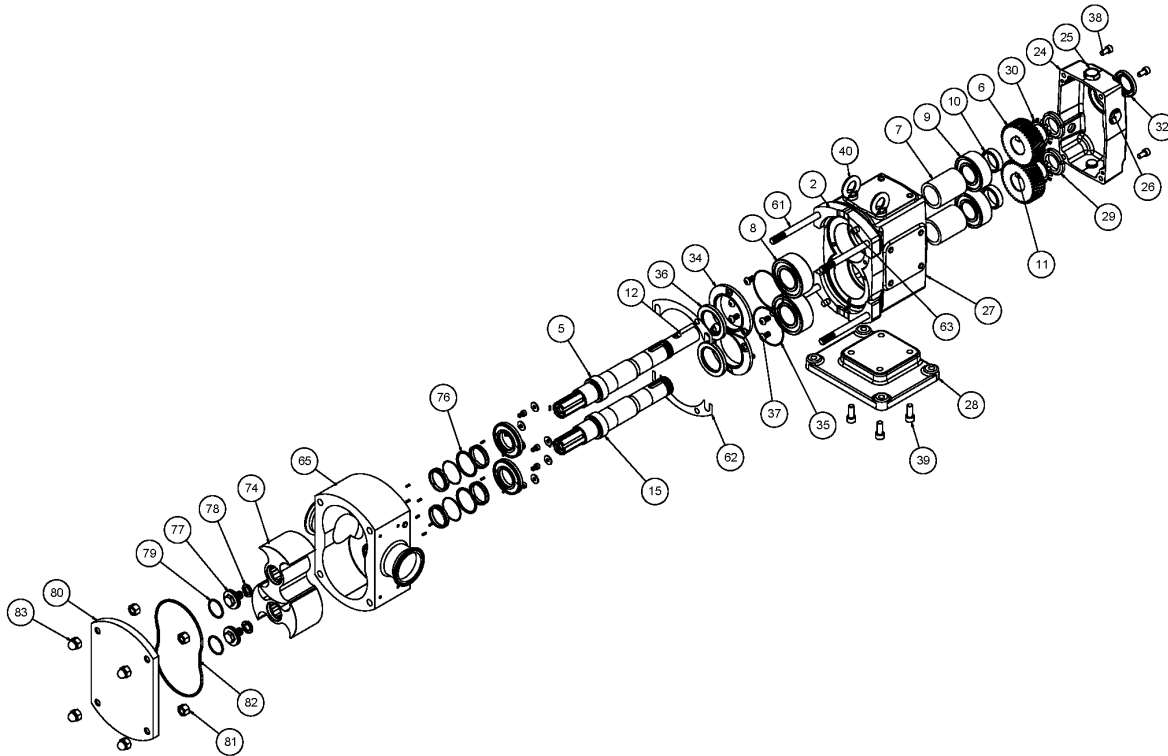
Ref #	Component Item No.	Description	Qty Per
76	<b>E70142</b>	<b>O-RING FOR ROTOR - EPDM</b>	<b>2</b>
	<i>V70142</i>	<i>O-RING FOR ROTOR - VITON</i>	<i>2</i>
103	<b>AL00-BT01-SS</b>	<b>CAP SCREW FOR SEAL RETAINER</b>	<b>6</b>
112	<b>AL30-SE08-SS</b>	<b>SLEEVE, CHROME OXIDE COATED</b>	<b>2</b>
113	<b>AL30-SE05-S3</b>	<b>SS GLAND FOR DOUBLE LIP SEAL FOR PRODUCT</b>	<b>2</b>
	<i>AL30-SE06-S3</i>	<i>SS GLAND FOR TRIPLE LIP SEAL FOR PRODUCT</i>	<i>2</i>
114	<b>E70151</b>	<b>O-RING, DOUBLE LIP SEAL - EPDM</b>	<b>2</b>
	<i>V70151</i>	<i>O-RING, DOUBLE LIP SEAL - VITON</i>	<i>2</i>
115	<b>AL30-SE05-S2</b>	<b>DOUBLE LIP SEAL FOR PRODCUT - TEFLON</b>	<b>2</b>
	<i>AL30-SE06-S2</i>	<i>TRIPLE LIP SEAL FOR PRODUCT - TEFLON</i>	<i>2</i>



**Heating Jackets**

*Optional Items Shown in ITALICS*

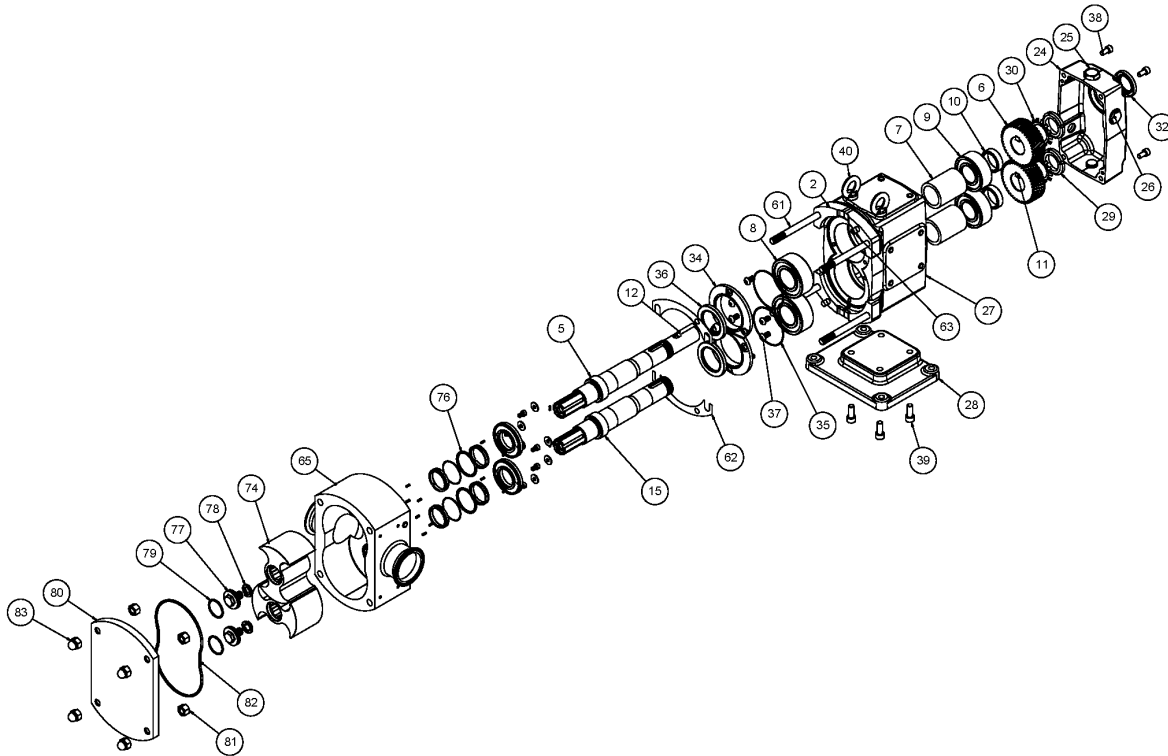
Ref #	Component Item No.	Description	Qty Per
141	AL30-FC02-SS	FRONT COVER WITH JACKET	1
142	AL30-HJ01-SS	CASE HEATING JACKET FOR BODY TOP - AL33	1
	AL30-HJ02-SS	CASE HEATING JACKET FOR BODY BOTTOM - AL33	1
143	AL30-HJ03-SS	CASE HEATING JACKET FOR TUBE ASS'Y - AL300	1
144	AL00-HJ01-SS	ELBOW,HEATING JCKT - AL	2



**Exploded View**

*Optional Items Shown in ITALICS*

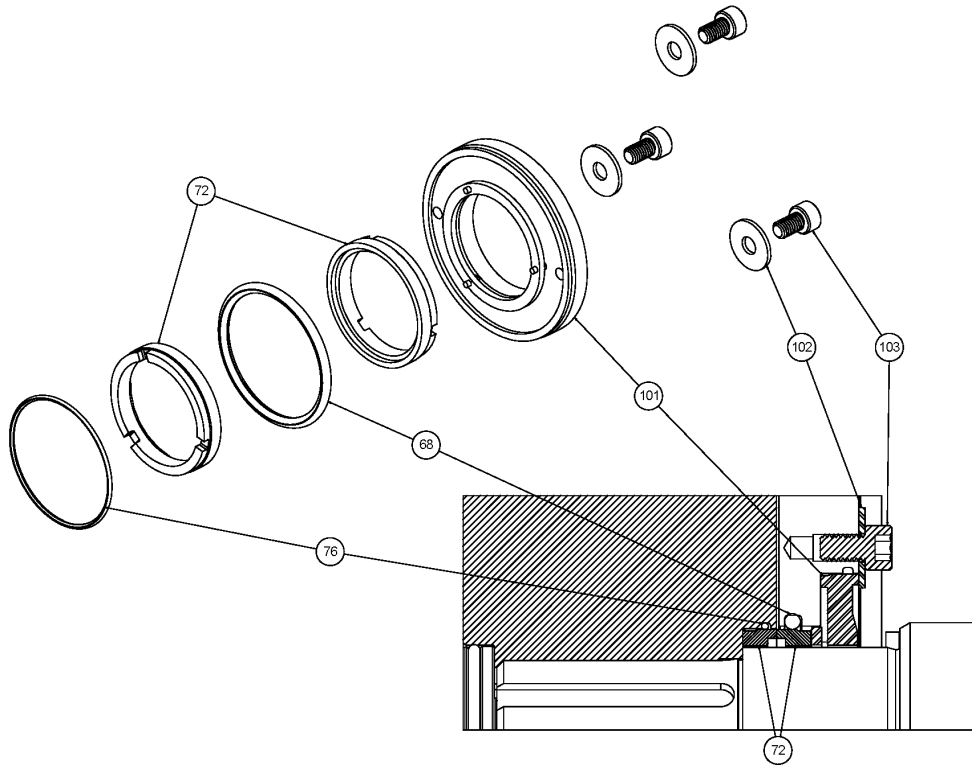
Ref #	Component Item No.	Description	Qty Per
2	AL30-GB03-SS	GEAR BOX - SS	1
5	AL30-SF01-SS	DRIVE SHAFT - AL33	1
6	AL30-HG01-CS	HELICAL GEAR - LEFT HAND	1
	AL30-HG02-CS	HELICAL GEAR - RIGHT HAND	1
7	AL30-BS01-CS	BEARING SPACER	2
8	AL30-BE01-CC	FRONT BEARING	2
9	AL30-BE02-CS	REAR BEARING	2
10	AL30-GS01-CS	GEAR SPACER	2
11	AL30-GK01-CS	GEAR KEY - 14x9x36	2
12	AL30-SK01-CS	SHAFT KEY - 14x9x36	1
15	AL30-SF02-SS	SHORT SHAFT - AL33	1
24	AL30-GB04-SS	GEAR BOX COVER - SS	1
25	P1GX115798	HEX PLUG WITH NBR SEAL	2
26	P1GX115799	OIL LEVEL INDICATOR	2
27	AL30-PN05-SS	DOWEL FOR GEAR BOX, AL300/AL400	2
28	AL30-GB05-SS	GEAR BOX BASE - SS	1
29	AL30-LN01-CS	LOCK NUT	2
30	AL30-LW01-CS	LOCK WASHER	2
32	AL30-OS02-L3	REAR OIL SEAL - NBR	1
34	AL30-OS01-SS	OIL SEAL GLAND	2
35	N70046	O-RING FOR OIL SEAL GLAND - NBR	2
36	AL30-OS01-L3	FRONT OIL SEAL - NBR	2
37	AL30-BT01-SS	CAP SCREW FOR OIL SEAL GLAND	8
38	AL30-BT02-SS	CAP SCREW FOR GEAR BOX COVER	4
39	AL30-BT03-SS	CAP SCREW FOR GEAR BASE	4
40	AL30-BT04-SS	EYEBOLT	2
61	AL30-SB01-SS	CASE STUD BOLT - AL33	4



**Exploded View**

*Optional Items Shown in ITALICS*

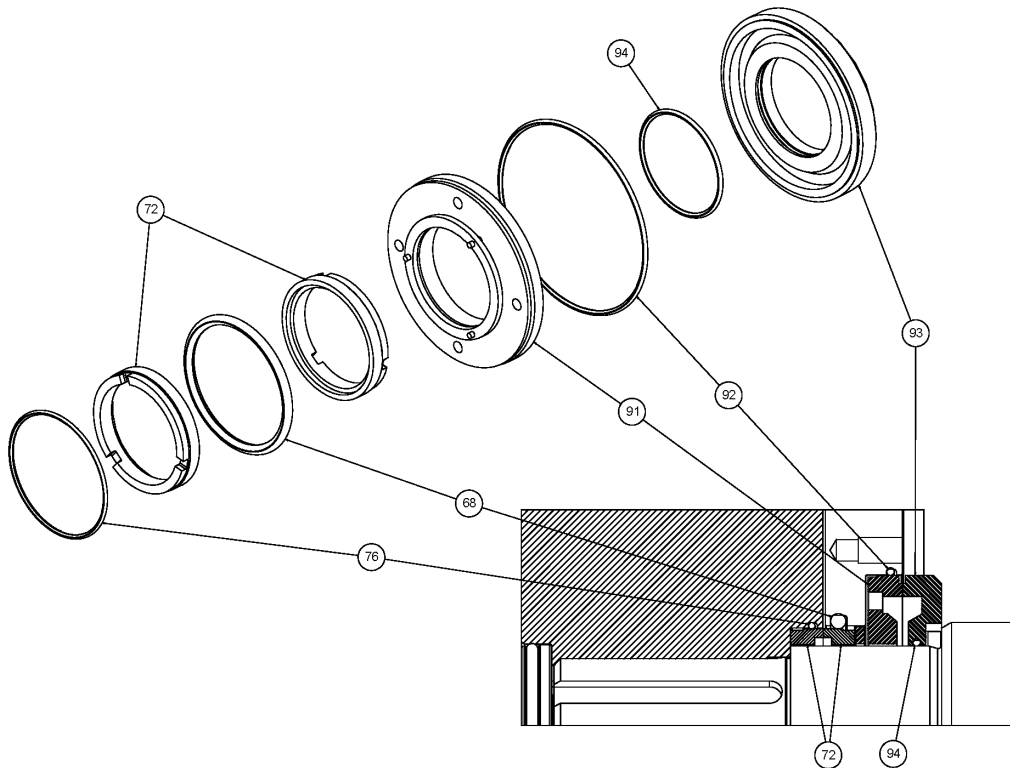
Ref #	Component Item No.	Description	Qty Per
62	AL30-SP01-SS-02	SHIM - 0.002" THICKNESS - AL300 SERIES	2
	AL30-SP01-SS-04	SHIM - 0.004" THICKNESS - AL300 SERIES	2
63	AL30-PN04-SS	DOWEL FOR CASE	2
65	AL30-RC07-SS	ROTOR CASE - AL33	1
68	E70230	O-RING FOR ROTOR CASE - EPDM	2
	V70230	O-RING FOR ROTOR CASE - VITON	2
72	AL30-SE06-SS	SEAL/MECHANICAL SEAL RING - TC	4
	AL30-SE07-SS	SEAL/MECHANICAL SEAL RING - SC	4
74	AL30-RT02-SS-1	ROTOR BI-WING (TOP) - AL33	1
	AL30-RT02-SS-2	ROTOR BI-WING (SIDE) - AL33	1
	AL30-RT02-SS-1H	ROTOR BI-WING (TOP) - AL33 - HOT	1
	AL30-RT02-SS-2H	ROTOR BI-WING (SIDE) - AL33 - HOT	1
	AL30-RT01-SS-1	ROTOR SINGLE-WING (TOP) - AL33	2
	AL30-RT04-SS-1	ROTOR TRI-LOBE (TOP) - AL33	2
76	E70142	O-RING FOR ROTOR - EPDM	2
	V70142	O-RING FOR ROTOR - VITON	2
77	AL30-RB01-SS	ROTOR BOLT - (HEX HEAD)	2
	AL30-RB04-SS	ROTOR BOLT - (SLOTTED) **Pressure Relief Cover Only	2
78	AL30-SW01-SS	SPRING WASHER FOR ROTOR BOLT	2
79	E70225	O-RING FOR ROTOR BOLT - EPDM	2
	V70225	O-RING FOR ROTOR BOLT - VITON	2
80	AL30-FC01-SS	FRONT COVER	1
81	AL30-HN01-SS	HEX NUT/STUD BOLT LOCK	4
82	E70271	O-RING FOR FRONT COVER - EPDM	1
	V70271	O-RING FOR FRONT COVER - VITON	1
	TE70271	O-RING FOR FRONT COVER - TEFLON ENCAP	1
83	AL30-CN01-SS	CAP NUT	4



**Single Mechanical Seal**

*Optional Items Shown in ITALICS*

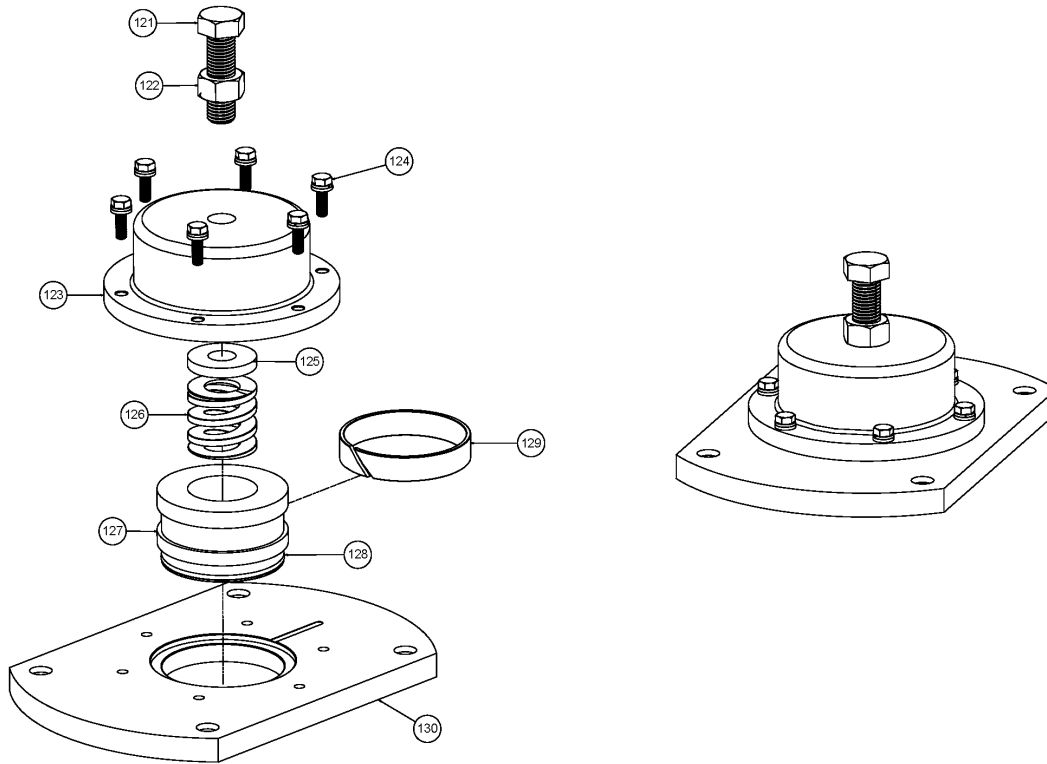
Ref #	Component Item No.	Description	Qty Per
68	<b>E70230</b>	<b>O-RING FOR ROTOR CASE - EPDM</b>	<b>2</b>
	<i>V70230</i>	<i>O-RING FOR ROTOR CASE - VITON</i>	<i>2</i>
72	<b>AL30-SE07-SS</b>	<b>SEAL/MECHANICAL SEAL RING - SC</b>	<b>4</b>
76	<b>E70142</b>	<b>O-RING FOR ROTOR - EPDM</b>	<b>2</b>
	<i>V70142</i>	<i>O-RING FOR ROTOR - VITON</i>	<i>2</i>
101	<b>AL30-SE01-S3</b>	<b>SEAL/SINGLE MECH SEAL BASE</b>	<b>2</b>
102	<b>AL00-WS01-SS</b>	<b>DIN M6 FENDER WASHER</b>	<b>6</b>
103	<b>AL00-BT01-SS</b>	<b>CAP SCREW FOR SEAL RETAINER</b>	<b>6</b>



**Double Mechanical Seal**

*Optional Items Shown in ITALICS*

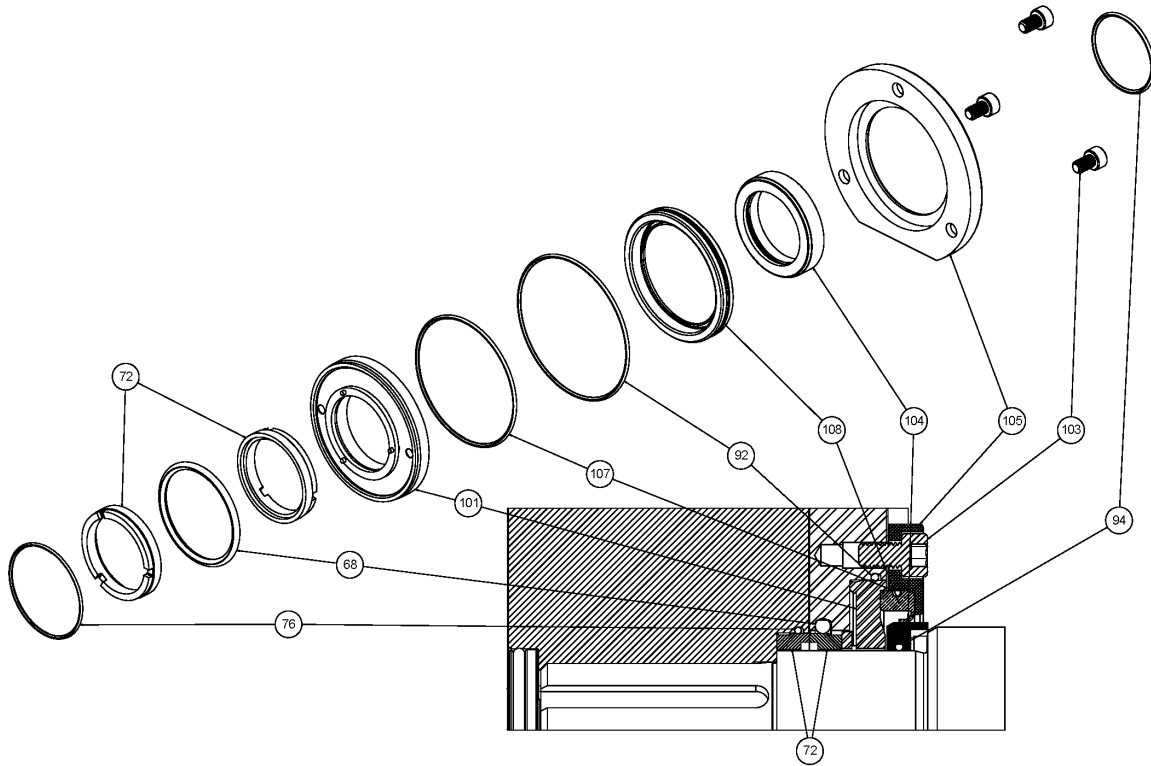
Ref #	Component Item No.	Description	Qty Per
68	<b>E70230</b>	<b>O-RING FOR ROTOR CASE - EPDM</b>	<b>2</b>
	<i>V70230</i>	<i>O-RING FOR ROTOR CASE - VITON</i>	<i>2</i>
72	<b>AL30-SE07-SS</b>	<b>SEAL/MECHANICAL SEAL RING - SC</b>	<b>4</b>
76	<b>E70142</b>	<b>O-RING FOR ROTOR - EPDM</b>	<b>2</b>
	<i>V70142</i>	<i>O-RING FOR ROTOR - VITON</i>	<i>2</i>
91	<b>AL30-SE01-S5</b>	<b>DOUBLE SEAL REAR BASE - SC</b>	<b>2</b>
	<i>AL30-SE01-S6</i>	<i>DOUBLE SEAL REAR BASE - TC</i>	<i>2</i>
92	<b>E70043</b>	<b>O-RING FOR DOUBLE SEAL CASE - EPDM</b>	<b>2</b>
	<i>V70043</i>	<i>O-RING FOR DOUBLE SEAL CASE - VITON</i>	<i>2</i>
93	<b>AL30-SE02-S1</b>	<b>SEAL/FLUSHED SEAL UNIT - TC</b>	<b>2</b>
	<i>AL30-SE02-S2</i>	<i>SEAL/FLUSHED SEAL UNIT - SC</i>	<i>2</i>
94	<b>E70033</b>	<b>O-RING FOR DOUBLE SEAL SHAFT - EPDM</b>	<b>2</b>
	<i>V70033</i>	<i>O-RING FOR DOUBLE SEAL SHAFT - VITON</i>	<i>2</i>



**Pressure Relief Cover**

*Optional Items Shown in ITALICS*

Ref #	Component Item No.	Description	Qty Per
77	AL30-RB04-SS	ROTOR BOLT - (SLOTTED) <b>**Not Shown Above</b>	2
120	GX5519190	BOLT, HEX HEAD	1
121	GX5519000	NUT, HEX HEAD	1
122	AL30-RH02-SS	RELIEF VALVE HOUSING	1
123	GX5512110	BOLT, HEX HEAD	8
124	GX5512010	LOCK WASHER	8
125	AL40-RP03-SS	ADJUSTMENT PIN, AL300/AL400	1
126	AL30-RS03-CS	SPRING, AL300/AL400	1
127	AL40-RV02-SS	VALVE HEAD, AL300/AL400	1
128	AL40-WR01-PF	WEAR RING, TEFLON, AL300/AL400	1
129	E70238	O-RING, EPDM	1
	V70238	O-RING, VITON	1
130	AL30-FC04-SS	FRONT COVER, VENTED	1
131	AL30-FR01-SS	FRONT COVER ASSEMBLY, VENTED	1

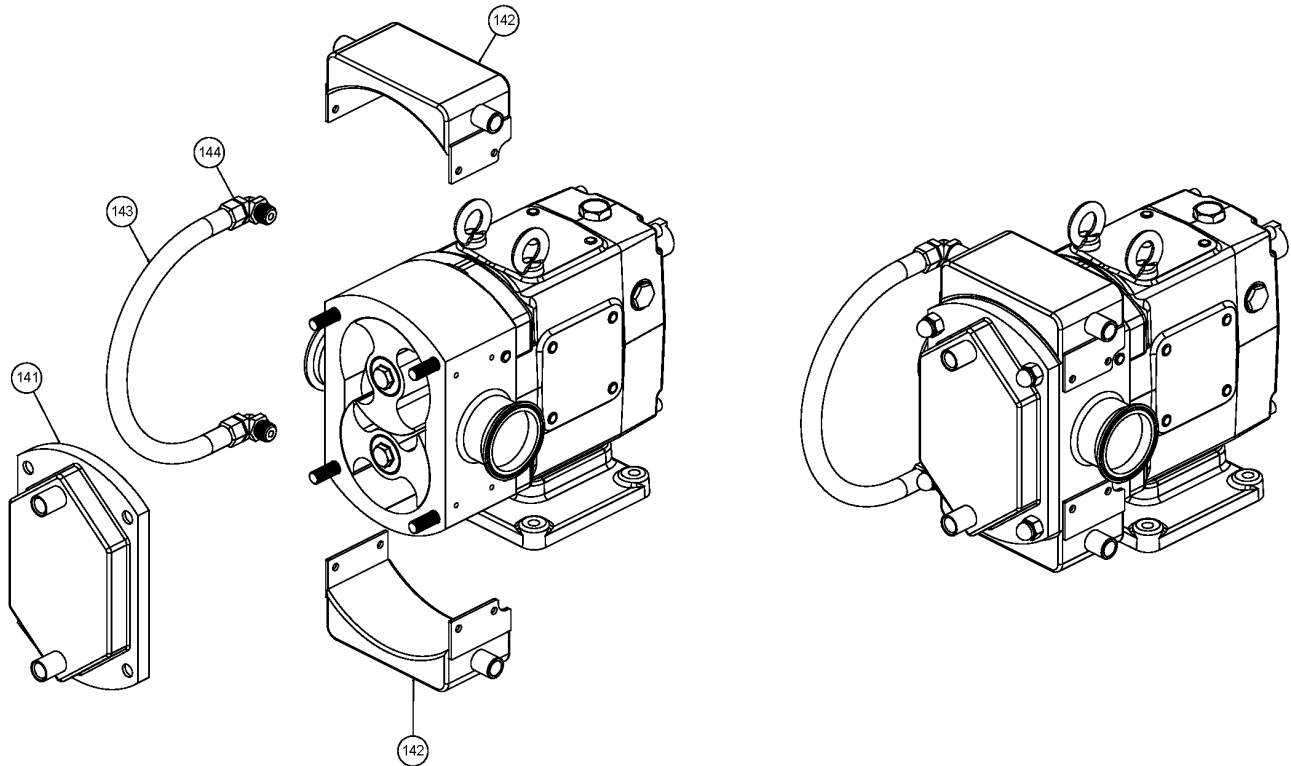


**Single Mechanical Seal with Flush**

*Optional Items Shown in ITALICS*

Ref #	Component Item No.	Description	Qty Per
68	<b>E70230</b>	<b>O-RING FOR ROTOR CASE - EPDM</b>	2
	<i>V70230</i>	<i>O-RING FOR ROTOR CASE - VITON</i>	2
72	<b>AL30-SE06-SS</b>	<b>SEAL/MECHANICAL SEAL RING - TC</b>	4
	<i>AL30-SE07-SS</i>	<i>SEAL/MECHANICAL SEAL RING - SC</i>	4
76	<b>E70142</b>	<b>O-RING FOR ROTOR - EPDM</b>	2
	<i>V70142</i>	<i>O-RING FOR ROTOR - VITON</i>	2
92	<b>E70043</b>	<b>O-RING FOR DOUBLE SEAL CASE - EPDM</b>	2
	<i>V70043</i>	<i>O-RING FOR DOUBLE SEAL CASE - VITON</i>	2
94	<b>E70033</b>	<b>O-RING FOR DOUBLE SEAL SHAFT - EPDM</b>	2
	<i>V70033</i>	<i>O-RING FOR DOUBLE SEAL SHAFT - VITON</i>	2
101	<b>AL30-SE01-S3</b>	<b>SEAL/SINGLE MECH SEAL BASE</b>	2
103	<b>AL00-BT01-SS</b>	<b>CAP SCREW FOR SEAL RETAINER</b>	6
104	<b>AL30-FL02-CE</b>	<b>CERMAIC SLEEVE FOR FLUSHING</b>	2
105	<b>AL30-FL03-SS</b>	<b>SS GLAND FOR FLUSHING</b>	2
107	<b>E70041</b>	<b>O-RING FOR FLUSHED LIP - EPDM</b>	2
	<i>V70041</i>	<i>O-RING FOR FLUSHED LIP - VITON</i>	2
108	<b>AL30-FL01-PF</b>	<b>PTFE - LIP SEAL FOR FLUSHING</b>	2

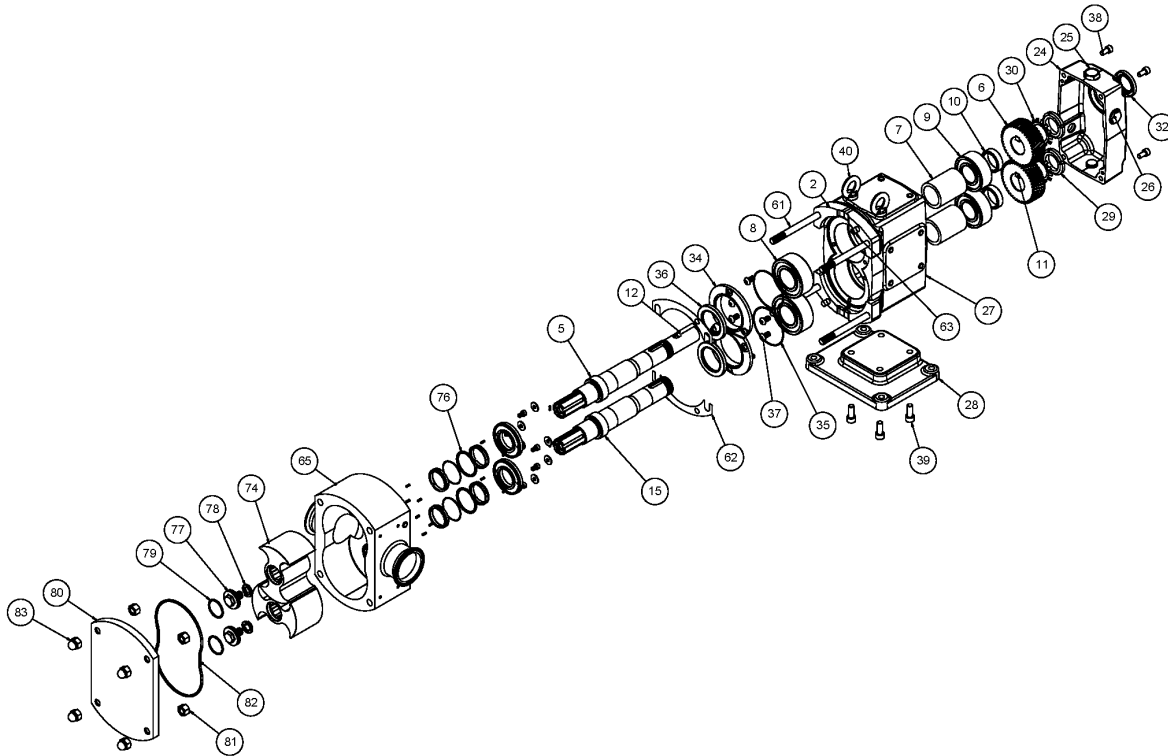




**Heating Jackets**

*Optional Items Shown in ITALICS*

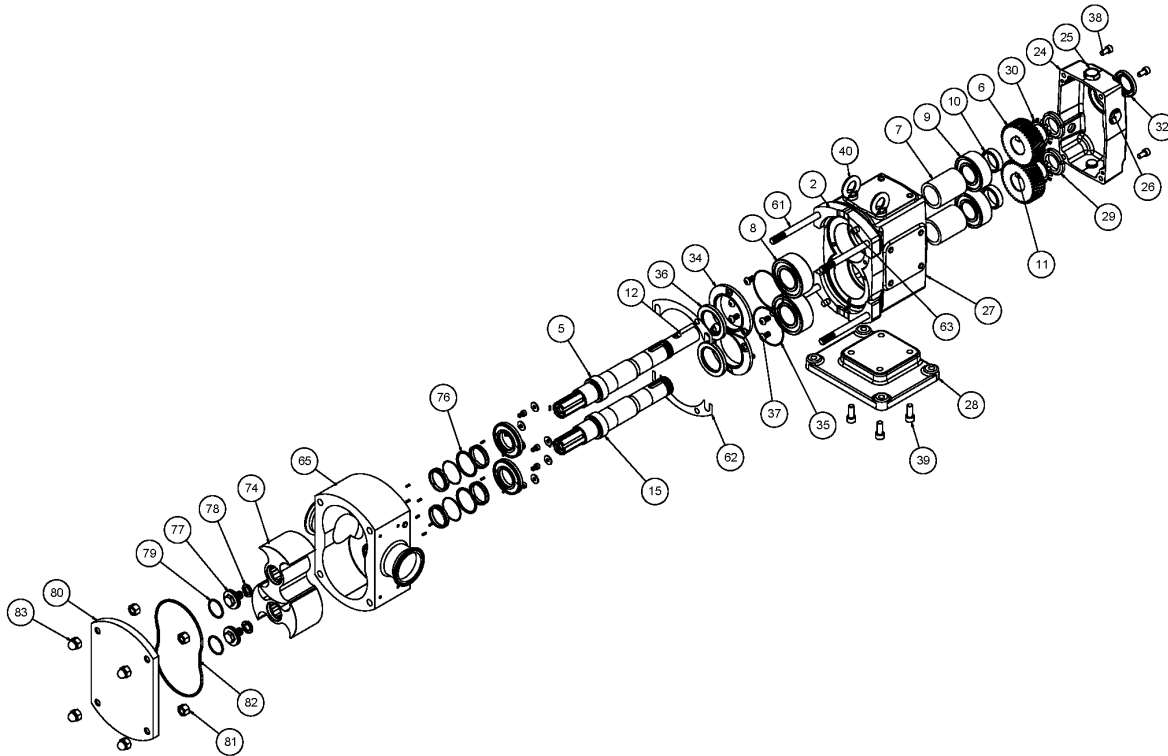
Ref #	Component Item No.	Description	Qty Per
141	AL30-FC02-SS	FRONT COVER WITH JACKET	1
142	AL30-HJ01-SS	CASE HEATING JACKET FOR BODY TOP - AL33	1
	AL30-HJ02-SS	CASE HEATING JACKET FOR BODY BOTTOM - AL33	1
143	AL30-HJ03-SS	CASE HEATING JACKET FOR TUBE ASS'Y - AL300	1
144	AL00-HJ01-SS	ELBOW,HEATING JCKT - AL	2



**Exploded View**

*Optional Items Shown in ITALICS*

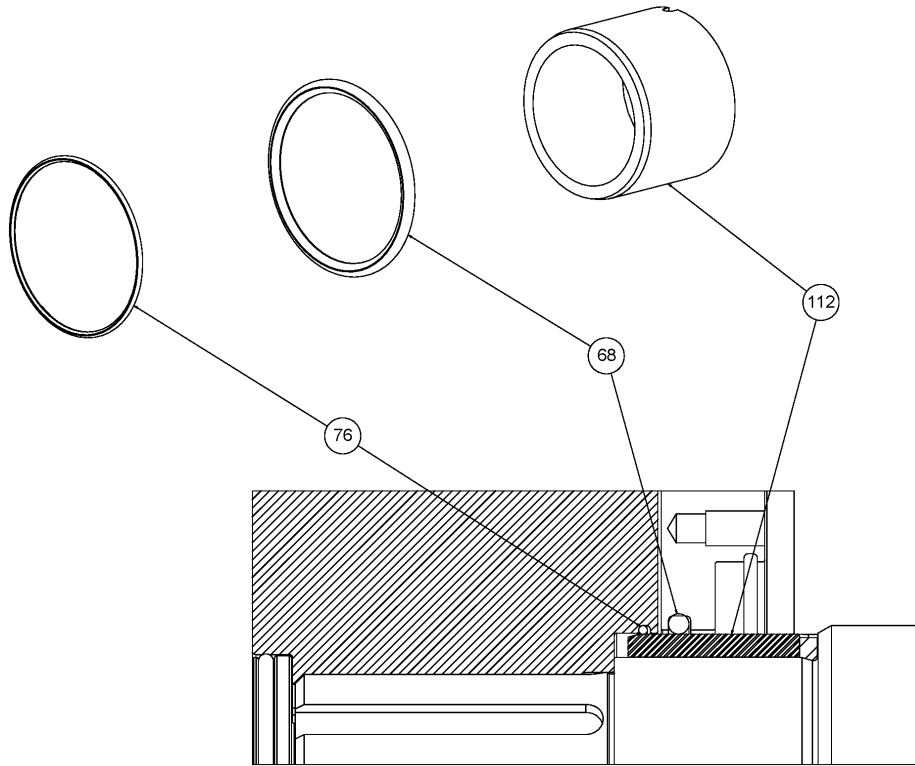
Ref #	Component Item No.	Description	Qty Per
2	AL30-GB03-SS	GEAR BOX - SS	1
5	AL30-SF01-SS	DRIVE SHAFT - AL33	1
6	AL30-HG01-CS	HELICAL GEAR - LEFT HAND	1
	AL30-HG02-CS	HELICAL GEAR - RIGHT HAND	1
7	AL30-BS01-CS	BEARING SPACER	2
8	AL30-BE01-CC	FRONT BEARING	2
9	AL30-BE02-CS	REAR BEARING	2
10	AL30-GS01-CS	GEAR SPACER	2
11	AL30-GK01-CS	GEAR KEY - 14x9x36	2
12	AL30-SK01-CS	SHAFT KEY - 14x9x36	1
15	AL30-SF02-SS	SHORT SHAFT - AL33	1
24	AL30-GB04-SS	GEAR BOX COVER - SS	1
25	P1GX115798	HEX PLUG WITH NBR SEAL	2
26	P1GX115799	OIL LEVEL INDICATOR	2
27	AL30-PN05-SS	DOWEL FOR GEAR BOX, AL300/AL400	2
28	AL30-GB05-SS	GEAR BOX BASE - SS	1
29	AL30-LN01-CS	LOCK NUT	2
30	AL30-LW01-CS	LOCK WASHER	2
32	AL30-OS02-L3	REAR OIL SEAL - NBR	1
34	AL30-OS01-SS	OIL SEAL GLAND	2
35	N70046	O-RING FOR OIL SEAL GLAND - NBR	2
36	AL30-OS01-L3	FRONT OIL SEAL - NBR	2
37	AL30-BT01-SS	CAP SCREW FOR OIL SEAL GLAND	8
38	AL30-BT02-SS	CAP SCREW FOR GEAR BOX COVER	4
39	AL30-BT03-SS	CAP SCREW FOR GEAR BASE	4
40	AL30-BT04-SS	EYEBOLT	2
61	AL30-SB01-SS	CASE STUD BOLT - AL33	4



**Exploded View**

*Optional Items Shown in ITALICS*

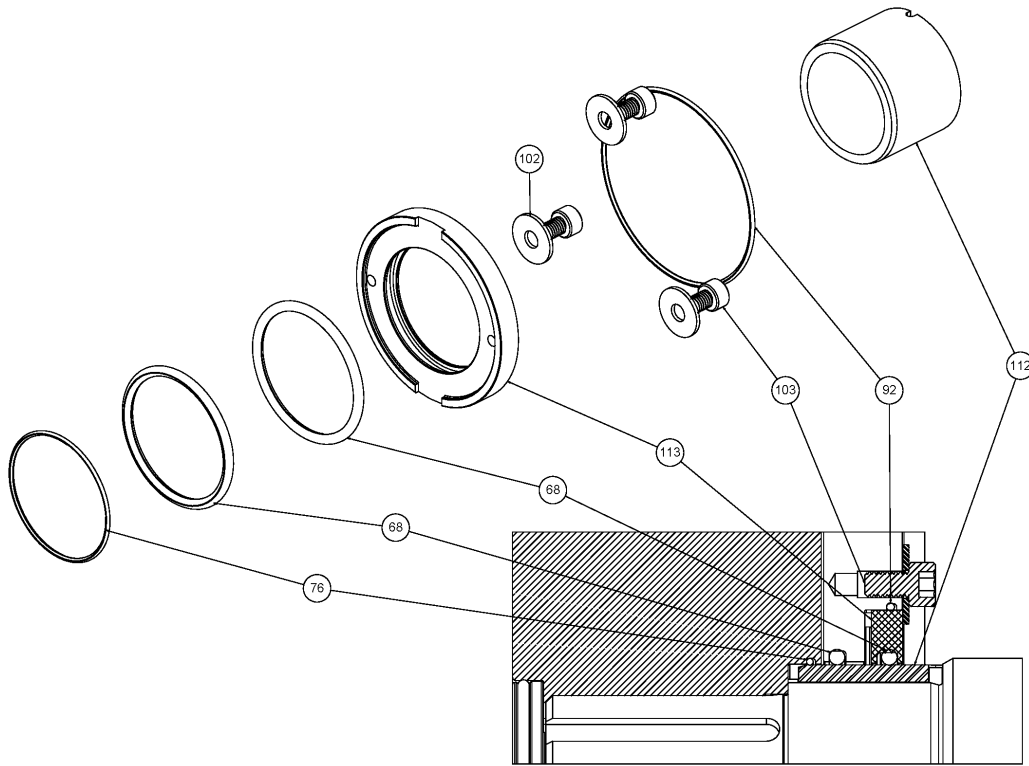
Ref #	Component Item No.	Description	Qty Per
62	AL30-SP01-SS-02	SHIM - 0.002" THICKNESS - AL300 SERIES	2
	AL30-SP01-SS-04	SHIM - 0.004" THICKNESS - AL300 SERIES	2
63	AL30-PN04-SS	DOWEL FOR CASE	2
65	AL30-RC07-SS	ROTOR CASE - AL33	1
68	E70230	O-RING FOR ROTOR CASE - EPDM	2
	V70230	O-RING FOR ROTOR CASE - VITON	2
72	AL30-SE06-SS	SEAL/MECHANICAL SEAL RING - TC	4
	AL30-SE07-SS	SEAL/MECHANICAL SEAL RING - SC	4
74	AL30-RT02-SS-1	ROTOR BI-WING (TOP) - AL33	1
	AL30-RT02-SS-2	ROTOR BI-WING (SIDE) - AL33	1
	AL30-RT02-SS-1H	ROTOR BI-WING (TOP) - AL33 - HOT	1
	AL30-RT02-SS-2H	ROTOR BI-WING (SIDE) - AL33 - HOT	1
	AL30-RT01-SS-1	ROTOR SINGLE-WING (TOP) - AL33	2
	AL30-RT04-SS-1	ROTOR TRI-LOBE (TOP) - AL33	2
76	E70142	O-RING FOR ROTOR - EPDM	2
	V70142	O-RING FOR ROTOR - VITON	2
77	AL30-RB01-SS	ROTOR BOLT - (HEX HEAD)	2
	AL30-RB04-SS	ROTOR BOLT - (SLOTTED) **Pressure Relief Cover Only	2
78	AL30-SW01-SS	SPRING WASHER FOR ROTOR BOLT	2
79	E70225	O-RING FOR ROTOR BOLT - EPDM	2
	V70225	O-RING FOR ROTOR BOLT - VITON	2
80	AL30-FC01-SS	FRONT COVER	1
81	AL30-HN01-SS	HEX NUT/STUD BOLT LOCK	4
82	E70271	O-RING FOR FRONT COVER - EPDM	1
	V70271	O-RING FOR FRONT COVER - VITON	1
	TE70271	O-RING FOR FRONT COVER - TEFLON ENCAP	1
83	AL30-CN01-SS	CAP NUT	4



**Single O-Ring Seal**

*Optional Items Shown in ITALICS*

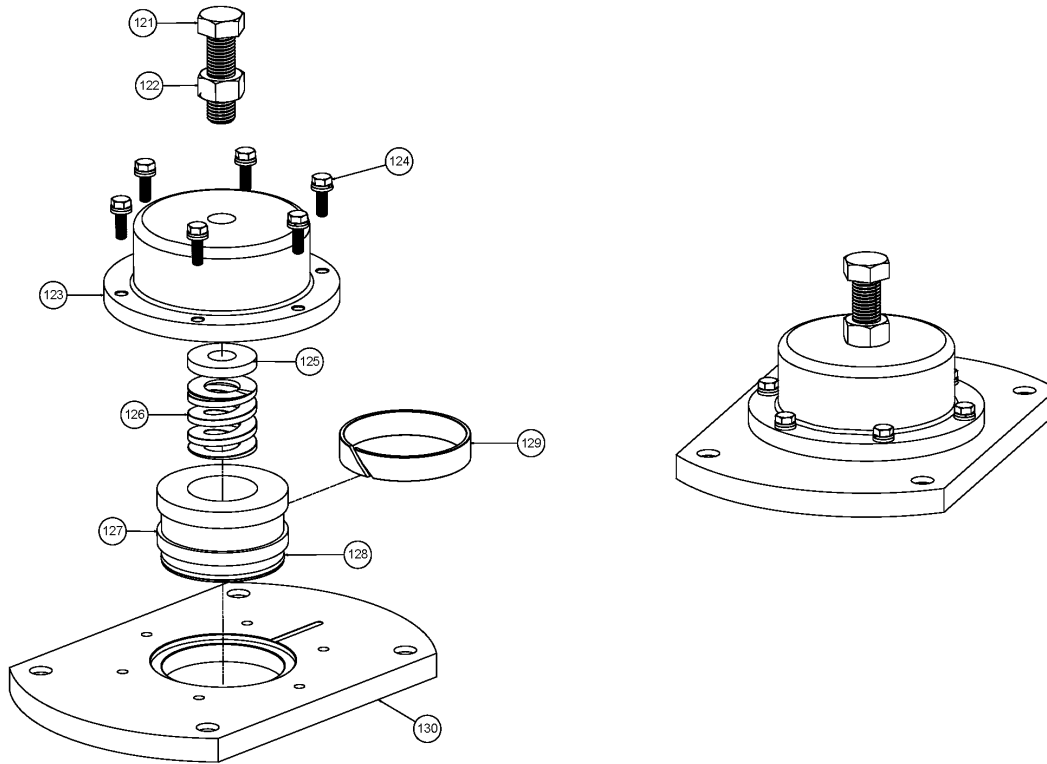
Ref #	Component Item No.	Description	Qty Per
68	<b>E70230</b>	<b>O-RING FOR ROTOR CASE - EPDM</b>	<b>2</b>
	<i>V70230</i>	<i>O-RING FOR ROTOR CASE - VITON</i>	<i>2</i>
76	<b>E70142</b>	<b>O-RING FOR ROTOR - EPDM</b>	<b>2</b>
	<i>V70142</i>	<i>O-RING FOR ROTOR - VITON</i>	<i>2</i>
112	<b>AL30-SE08-SS</b>	<b>SLEEVE, CHROME OXIDE COATED</b>	<b>2</b>
	<i>AL30-SE09-SS</i>	<i>SLEEVE, STAINLESS STEEL</i>	<i>2</i>
	<i>AL30-SE10-SS</i>	<i>SLEEVE, CERAMIC</i>	<i>2</i>



**Double O-Ring Seal**

*Optional Items Shown in ITALICS*

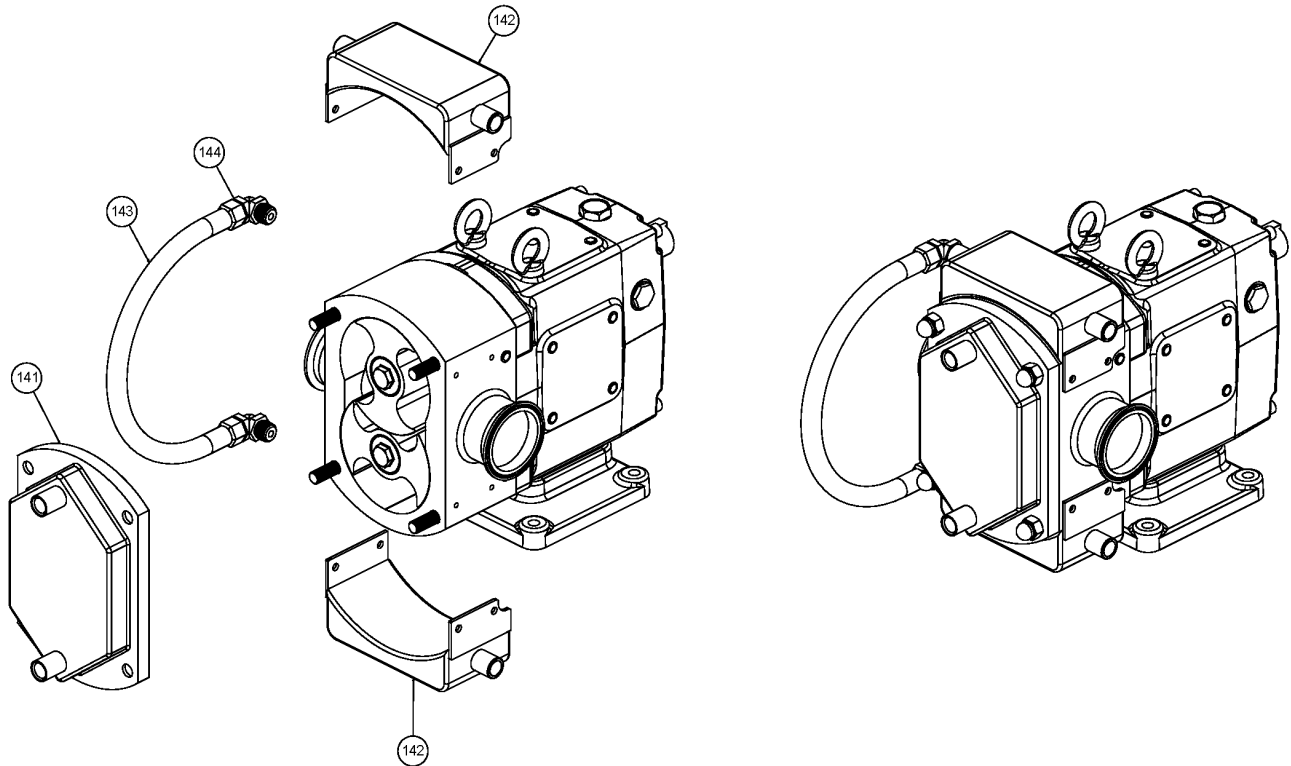
Ref #	Component Item No.	Description	Qty Per
68	<b>E70230</b>	<b>O-RING FOR ROTOR CASE - EPDM</b>	<b>2</b>
	<i>V70230</i>	<i>O-RING FOR ROTOR CASE - VITON</i>	2
76	<b>E70142</b>	<b>O-RING FOR ROTOR - EPDM</b>	<b>2</b>
	<i>V70142</i>	<i>O-RING FOR ROTOR - VITON</i>	2
92	<b>E70043</b>	<b>O-RING FOR DOUBLE SEAL CASE - EPDM</b>	<b>2</b>
	<i>V70043</i>	<i>O-RING FOR DOUBLE SEAL CASE - VITON</i>	2
102	<b>AL00-WS01-SS</b>	<b>DIN M6 FENDER WASHER</b>	<b>6</b>
103	<b>AL00-BT01-SS</b>	<b>CAP SCREW FOR SEAL RETAINER</b>	<b>6</b>
112	<b>AL30-SE08-SS</b>	<b>SLEEVE, CHROME OXIDE COATED</b>	<b>2</b>
	<i>AL30-SE09-SS</i>	<i>SLEEVE, STAINLESS STEEL</i>	2
	<i>AL30-SE10-SS</i>	<i>SLEEVE, CERAMIC</i>	2
113	<b>AL30-OS02-SS</b>	<b>SS GLAND FOR DOUBLE O-RING</b>	<b>2</b>



**Pressure Relief Cover**

*Optional Items Shown in ITALICS*

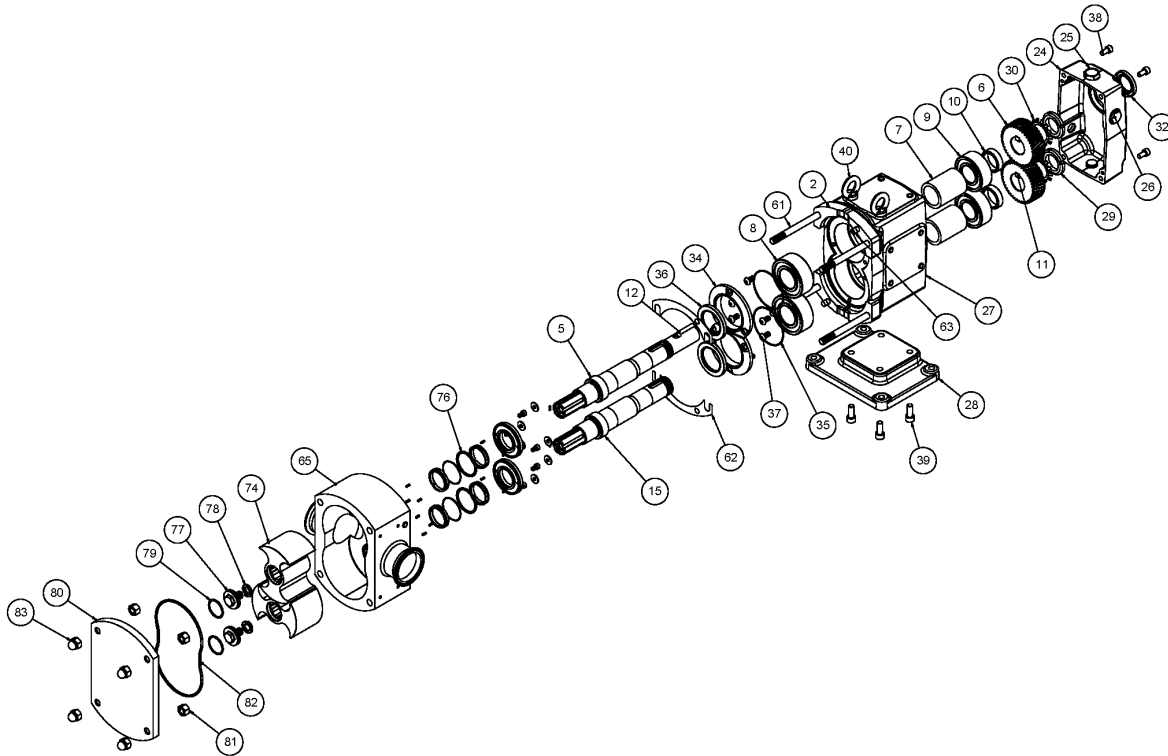
Ref #	Component Item No.	Description	Qty Per
77	AL30-RB04-SS	ROTOR BOLT - (SLOTTED) <b>**Not Shown Above</b>	2
120	GX5519190	BOLT, HEX HEAD	1
121	GX5519000	NUT, HEX HEAD	1
122	AL30-RH02-SS	RELIEF VALVE HOUSING	1
123	GX5512110	BOLT, HEX HEAD	8
124	GX5512010	LOCK WASHER	8
125	AL40-RP03-SS	ADJUSTMENT PIN, AL300/AL400	1
126	AL30-RS03-CS	SPRING, AL300/AL400	1
127	AL40-RV02-SS	VALVE HEAD, AL300/AL400	1
128	AL40-WR01-PF	WEAR RING, TEFLON, AL300/AL400	1
129	E70238	O-RING, EPDM	1
	V70238	O-RING, VITON	1
130	AL30-FC04-SS	FRONT COVER, VENTED	1
131	AL30-FR01-SS	FRONT COVER ASSEMBLY, VENTED	1



**Heating Jackets**

*Optional Items Shown in ITALICS*

Ref #	Component Item No.	Description	Qty Per
141	AL30-FC02-SS	FRONT COVER WITH JACKET	1
142	AL30-HJ01-SS	CASE HEATING JACKET FOR BODY TOP - AL33	1
	AL30-HJ02-SS	CASE HEATING JACKET FOR BODY BOTTOM - AL33	1
143	AL30-HJ03-SS	CASE HEATING JACKET FOR TUBE ASS'Y - AL300	1
144	AL00-HJ01-SS	ELBOW,HEATING JCKT - AL	2

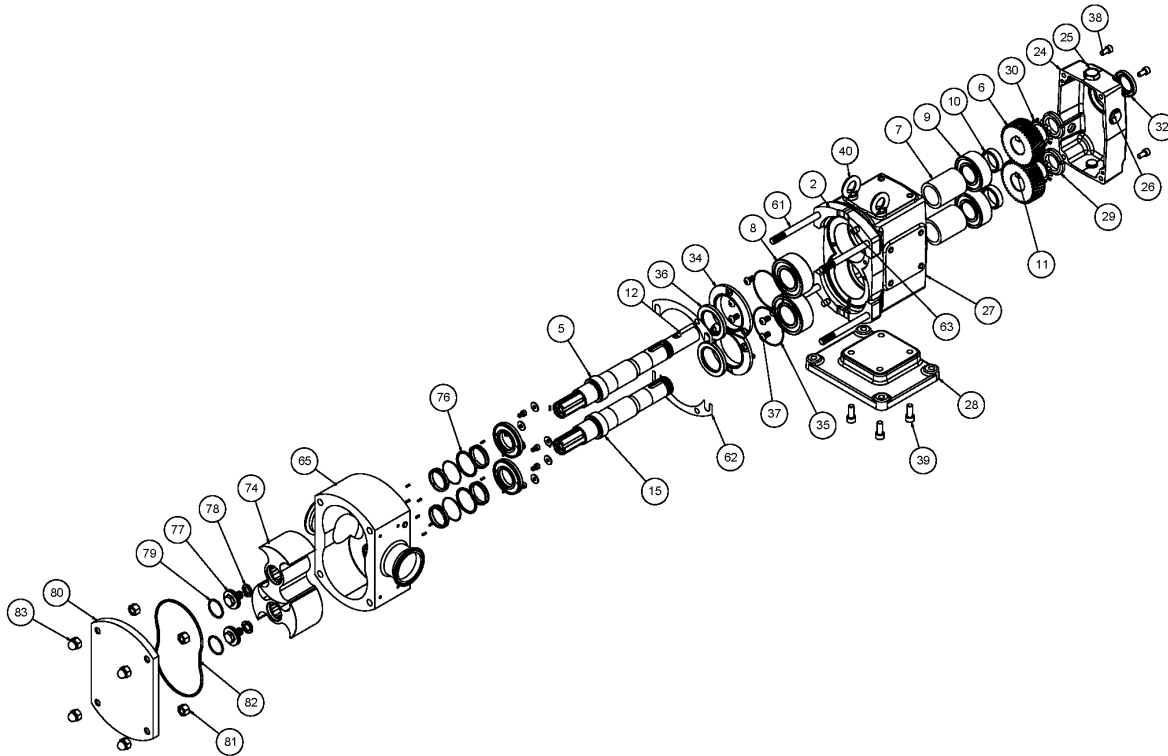


**Exploded View**

*Optional Items Shown in ITALICS*

Ref #	Component Item No.	Description	Qty Per
2	AL30-GB03-SS	GEAR BOX - SS	1
5	AL30-SF03-SS	DRIVE SHAFT - AL34	1
6	AL30-HG01-CS	HELICAL GEAR - LEFT HAND	1
	AL30-HG02-CS	HELICAL GEAR - RIGHT HAND	1
7	AL30-BS01-CS	BEARING SPACER	2
8	AL30-BE01-CC	FRONT BEARING	2
9	AL30-BE02-CS	REAR BEARING	2
10	AL30-GS01-CS	GEAR SPACER	2
11	AL30-GK01-CS	GEAR KEY - 14x9x36	2
12	AL30-SK01-CS	SHAFT KEY - 14x9x36	1
15	AL30-SF04-SS	SHORT SHAFT - AL34	1
24	AL30-GB04-SS	GEAR BOX COVER - SS	1
25	P1GX115798	HEX PLUG WITH NBR SEAL	2
26	P1GX115799	OIL LEVEL INDICATOR	2
27	AL30-PN05-SS	DOWEL FOR GEAR BOX, AL300/AL400	2
28	AL30-GB05-SS	GEAR BOX BASE - SS	1
29	AL30-LN01-CS	LOCK NUT	2
30	AL30-LW01-CS	LOCK WASHER	2
32	AL30-OS02-L3	REAR OIL SEAL - NBR	1
34	AL30-OS01-SS	OIL SEAL GLAND	2
35	N70046	O-RING FOR OIL SEAL GLAND - NBR	2
36	AL30-OS01-L3	FRONT OIL SEAL - NBR	2
37	AL30-BT01-SS	CAP SCREW FOR OIL SEAL GLAND	8
38	AL30-BT02-SS	CAP SCREW FOR GEAR BOX COVER	4
39	AL30-BT03-SS	CAP SCREW FOR GEAR BASE	4
40	AL30-BT04-SS	EYEBOLT	2
61	AL30-SB02-SS	CASE STUD BOLT - AL34	4

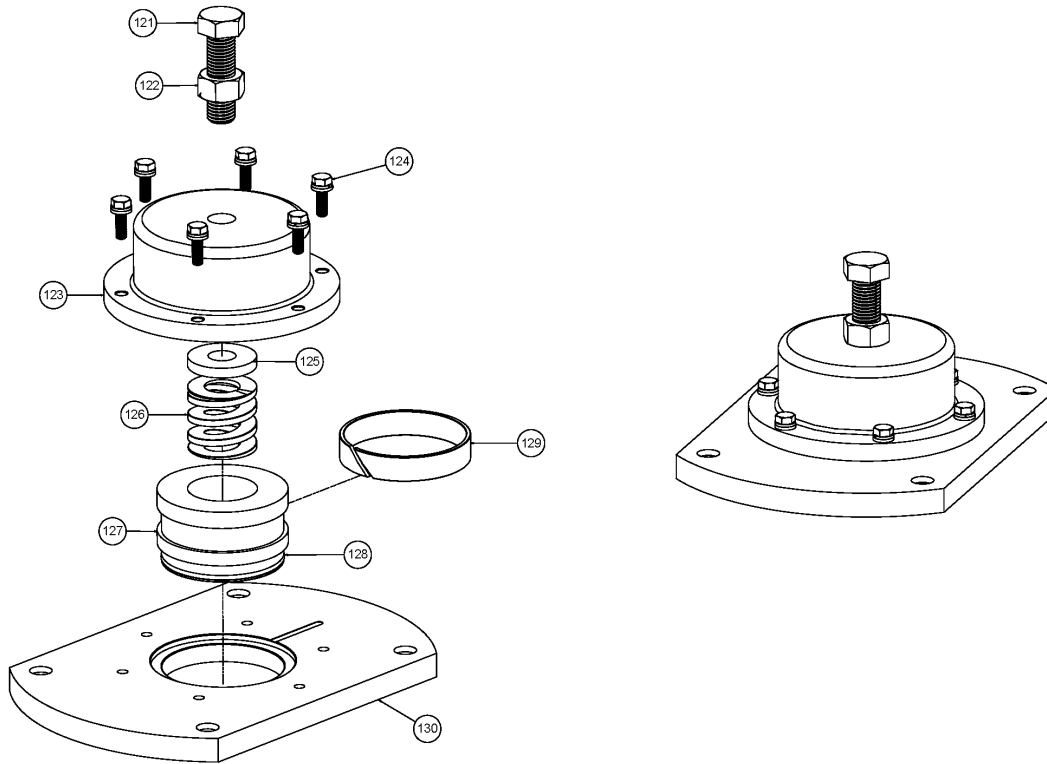




**Exploded View**

*Optional Items Shown in ITALICS*

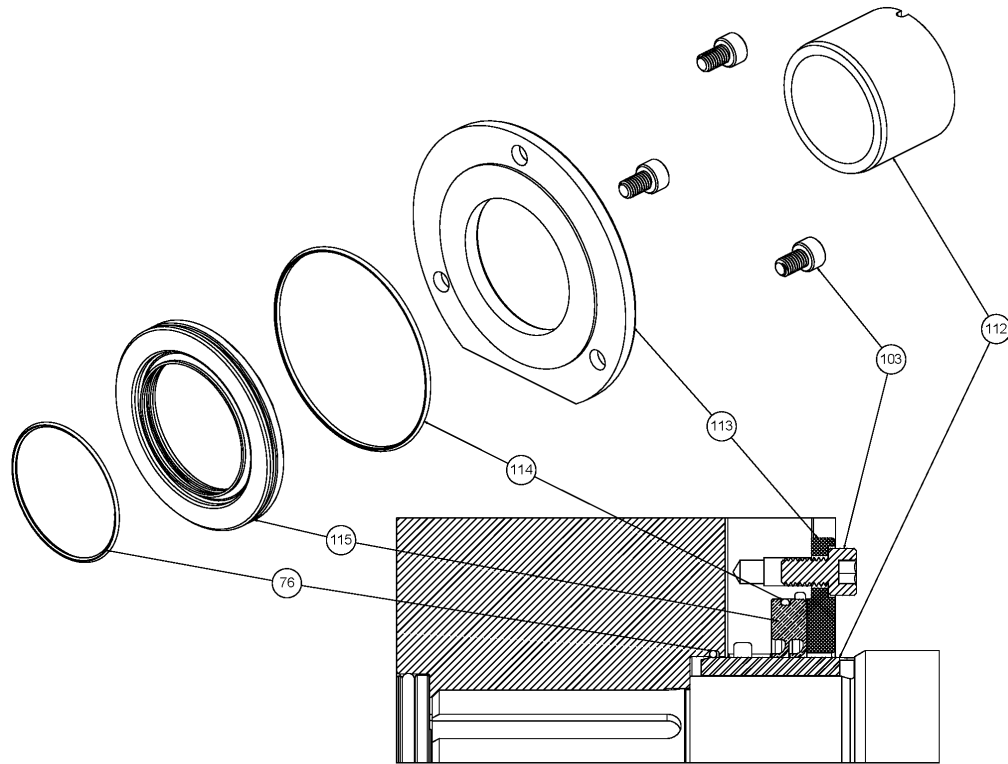
Ref #	Component Item No.	Description	Qty Per
62	AL30-SP01-SS-02	SHIM - 0.002" THICKNESS - AL300 SERIES	2
	AL30-SP01-SS-04	SHIM - 0.004" THICKNESS - AL300 SERIES	2
63	AL30-PN04-SS	DOWEL FOR CASE	2
65	AL30-RC47-SS	ROTOR CASE - AL34	1
68	E70230	O-RING FOR ROTOR CASE - EPDM	2
	V70230	O-RING FOR ROTOR CASE - VITON	2
72	AL30-SE06-SS	SEAL/MECHANICAL SEAL RING - TC	4
	AL30-SE07-SS	SEAL/MECHANICAL SEAL RING - SC	4
74	AL30-RT12-SS-1	ROTOR BI-WING (TOP) - AL34	1
	AL30-RT12-SS-2	ROTOR BI-WING (SIDE) - AL34	1
	AL30-RT12-SS-1H	ROTOR BI-WING (TOP) - AL34 - HOT	1
	AL30-RT12-SS-2H	ROTOR BI-WING (SIDE) - AL34 - HOT	1
	AL30-RT14-SS-1	ROTOR TRI-LOBE (TOP) - AL34	2
76	E70142	O-RING FOR ROTOR - EPDM	2
	V70142	O-RING FOR ROTOR - VITON	2
77	AL30-RB01-SS	ROTOR BOLT - (HEX HEAD)	2
	AL30-RB04-SS	ROTOR BOLT - (SLOTTED) **Pressure Relief Cover Only	2
78	AL30-SW01-SS	SPRING WASHER FOR ROTOR BOLT	2
79	E70225	O-RING FOR ROTOR BOLT - EPDM	2
	V70225	O-RING FOR ROTOR BOLT - VITON	2
80	AL30-FC01-SS	FRONT COVER	1
81	AL30-HN01-SS	HEX NUT/STUD BOLT LOCK	4
82	E70271	O-RING FOR FRONT COVER - EPDM	1
	V70271	O-RING FOR FRONT COVER - VITON	1
	TE70271	O-RING FOR FRONT COVER - TEFLON ENCAP	1
83	AL30-CN01-SS	CAP NUT	4



**Pressure Relief Cover**

*Optional Items Shown in ITALICS*

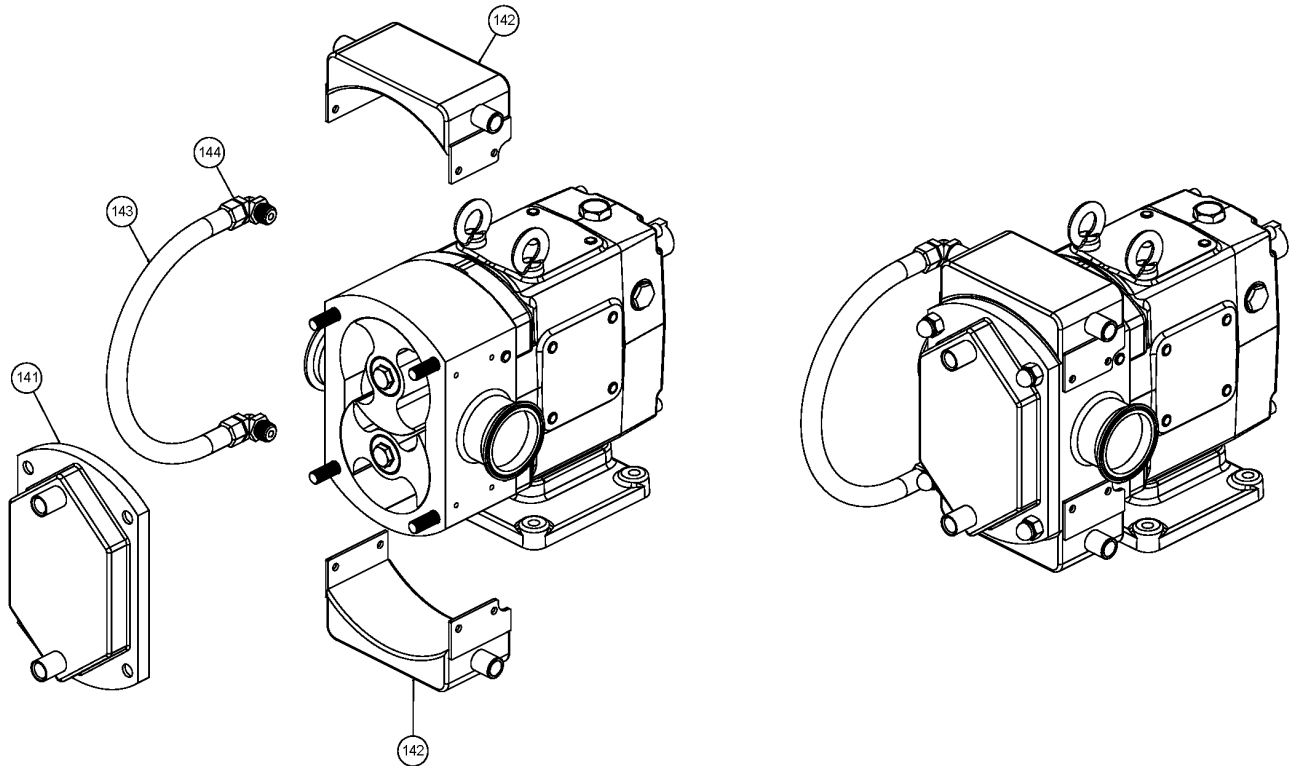
Ref #	Component Item No.	Description	Qty Per
77	AL30-RB04-SS	ROTOR BOLT - (SLOTTED) <b>**Not Shown Above</b>	2
120	GX5519190	BOLT, HEX HEAD	1
121	GX5519000	NUT, HEX HEAD	1
122	AL30-RH02-SS	RELIEF VALVE HOUSING	1
123	GX5512110	BOLT, HEX HEAD	8
124	GX5512010	LOCK WASHER	8
125	AL40-RP03-SS	ADJUSTMENT PIN, AL300/AL400	1
126	AL30-RS03-CS	SPRING, AL300/AL400	1
127	AL40-RV02-SS	VALVE HEAD, AL300/AL400	1
128	AL40-WR01-PF	WEAR RING, TEFLON, AL300/AL400	1
129	E70238	O-RING, EPDM	1
	V70238	O-RING, VITON	1
130	AL30-FC04-SS	FRONT COVER, VENTED	1
131	AL30-FR01-SS	FRONT COVER ASSEMBLY, VENTED	1



**Lip Seal**

*Optional Items Shown in ITALICS*

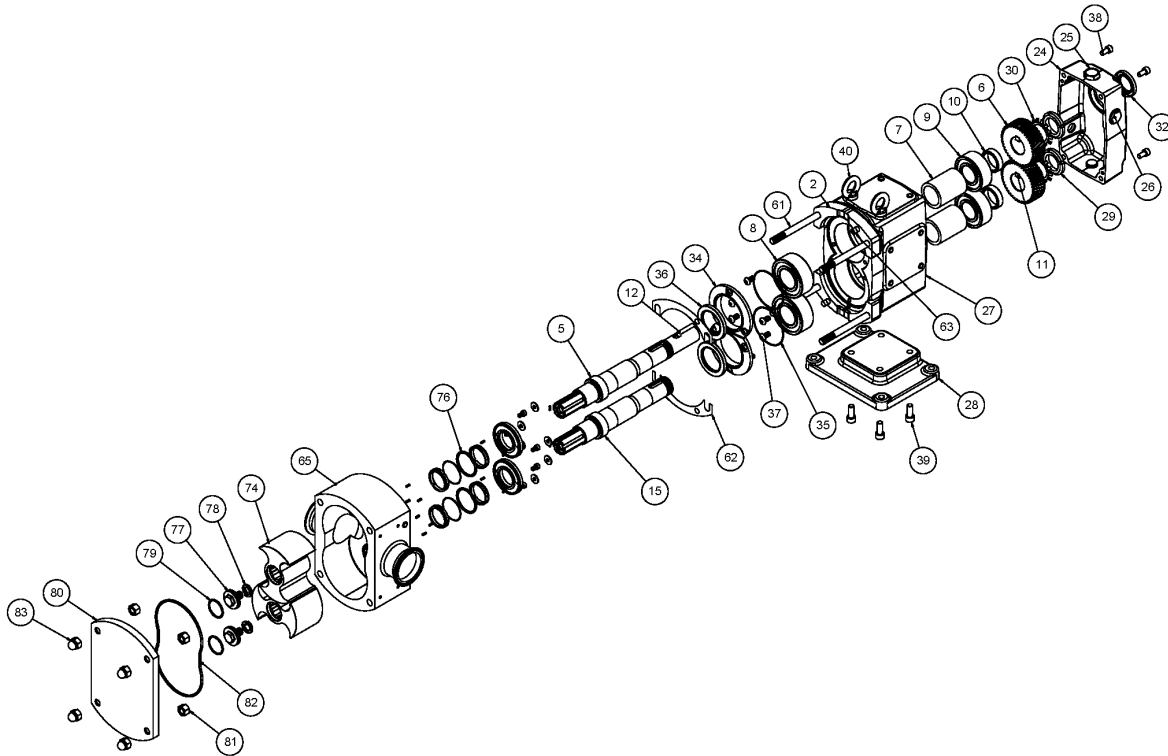
Ref #	Component Item No.	Description	Qty Per
76	<b>E70142</b>	<b>O-RING FOR ROTOR - EPDM</b>	<b>2</b>
	<i>V70142</i>	<i>O-RING FOR ROTOR - VITON</i>	<i>2</i>
103	<b>AL00-BT01-SS</b>	<b>CAP SCREW FOR SEAL RETAINER</b>	<b>6</b>
112	<b>AL30-SE08-SS</b>	<b>SLEEVE, CHROME OXIDE COATED</b>	<b>2</b>
113	<b>AL30-SE05-S3</b>	<b>SS GLAND FOR DOUBLE LIP SEAL FOR PRODUCT</b>	<b>2</b>
	<i>AL30-SE06-S3</i>	<i>SS GLAND FOR TRIPLE LIP SEAL FOR PRODUCT</i>	<i>2</i>
114	<b>E70151</b>	<b>O-RING, DOUBLE LIP SEAL - EPDM</b>	<b>2</b>
	<i>V70151</i>	<i>O-RING, DOUBLE LIP SEAL - VITON</i>	<i>2</i>
115	<b>AL30-SE05-S2</b>	<b>DOUBLE LIP SEAL FOR PRODCUT - TEFLON</b>	<b>2</b>
	<i>AL30-SE06-S2</i>	<i>TRIPLE LIP SEAL FOR PRODUCT - TEFLON</i>	<i>2</i>



**Heating Jackets**

*Optional Items Shown in ITALICS*

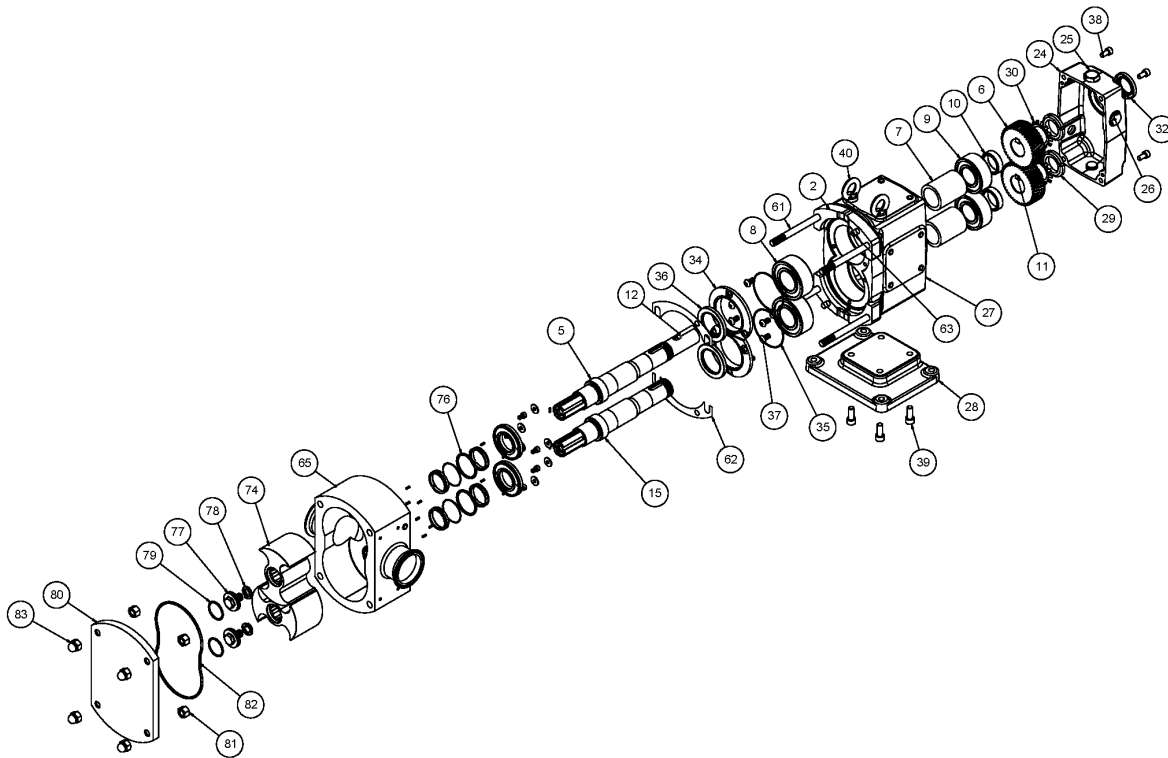
Ref #	Component Item No.	Description	Qty Per
141	AL30-FC02-SS	FRONT COVER WITH JACKET	1
142	AL30-HJ04-SS	CASE HEATING JACKET FOR BODY TOP - AL34	1
	AL30-HJ05-SS	CASE HEATING JACKET FOR BODY BOTTOM - AL34	1
143	AL30-HJ03-SS	CASE HEATING JACKET FOR TUBE ASS'Y - AL300	1
144	AL00-HJ01-SS	ELBOW,HEATING JCKT - AL	2



**Exploded View**

*Optional Items Shown in ITALICS*

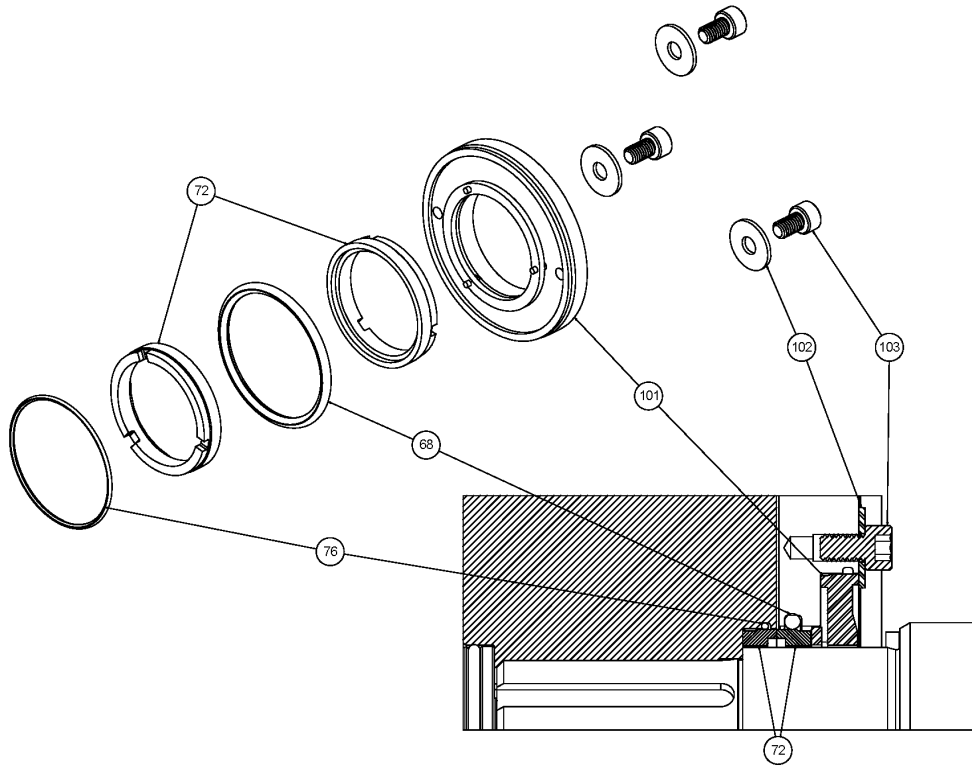
Ref #	Component Item No.	Description	Qty Per
2	AL30-GB03-SS	GEAR BOX - SS	1
5	AL30-SF03-SS	DRIVE SHAFT - AL34	1
6	AL30-HG01-CS	HELICAL GEAR - LEFT HAND	1
	AL30-HG02-CS	HELICAL GEAR - RIGHT HAND	1
7	AL30-BS01-CS	BEARING SPACER	2
8	AL30-BE01-CC	FRONT BEARING	2
9	AL30-BE02-CS	REAR BEARING	2
10	AL30-GS01-CS	GEAR SPACER	2
11	AL30-GK01-CS	GEAR KEY - 14x9x36	2
12	AL30-SK01-CS	SHAFT KEY - 14x9x36	1
15	AL30-SF04-SS	SHORT SHAFT - AL34	1
24	AL30-GB04-SS	GEAR BOX COVER - SS	1
25	P1GX115798	HEX PLUG WITH NBR SEAL	2
26	P1GX115799	OIL LEVEL INDICATOR	2
27	AL30-PN05-SS	DOWEL FOR GEAR BOX, AL300/AL400	2
28	AL30-GB05-SS	GEAR BOX BASE - SS	1
29	AL30-LN01-CS	LOCK NUT	2
30	AL30-LW01-CS	LOCK WASHER	2
32	AL30-OS02-L3	REAR OIL SEAL - NBR	1
34	AL30-OS01-SS	OIL SEAL GLAND	2
35	N70046	O-RING FOR OIL SEAL GLAND - NBR	2
36	AL30-OS01-L3	FRONT OIL SEAL - NBR	2
37	AL30-BT01-SS	CAP SCREW FOR OIL SEAL GLAND	8
38	AL30-BT02-SS	CAP SCREW FOR GEAR BOX COVER	4
39	AL30-BT03-SS	CAP SCREW FOR GEAR BASE	4
40	AL30-BT04-SS	EYEBOLT	2
61	AL30-SB02-SS	CASE STUD BOLT - AL34	4



**Exploded View**

*Optional Items Shown in ITALICS*

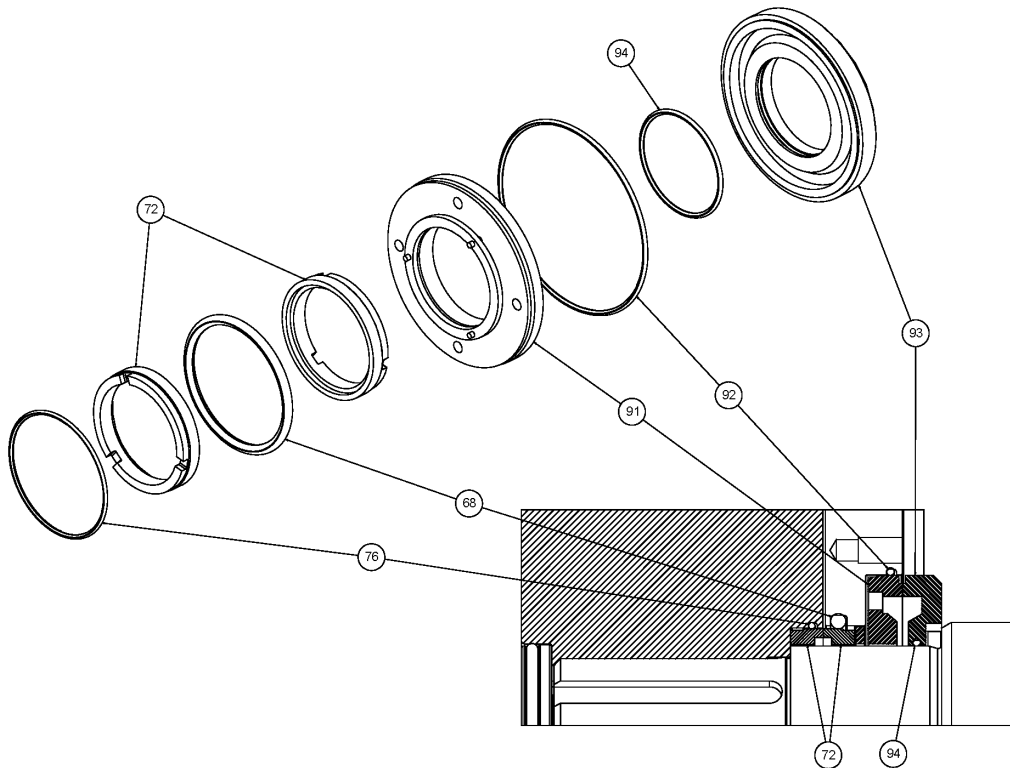
Ref #	Component Item No.	Description	Qty Per
62	AL30-SP01-SS-02	SHIM - 0.002" THICKNESS - AL300 SERIES	2
	AL30-SP01-SS-04	SHIM - 0.004" THICKNESS - AL300 SERIES	2
63	AL30-PN04-SS	DOWEL FOR CASE	2
65	AL30-RC47-SS	ROTOR CASE - AL34	1
68	E70230	O-RING FOR ROTOR CASE - EPDM	2
	V70230	O-RING FOR ROTOR CASE - VITON	2
72	AL30-SE06-SS	SEAL/MECHANICAL SEAL RING - TC	4
	AL30-SE07-SS	SEAL/MECHANICAL SEAL RING - SC	4
74	AL30-RT12-SS-1	ROTOR BI-WING (TOP) - AL34	1
	AL30-RT12-SS-2	ROTOR BI-WING (SIDE) - AL34	1
	AL30-RT12-SS-1H	ROTOR BI-WING (TOP) - AL34 - HOT	1
	AL30-RT12-SS-2H	ROTOR BI-WING (SIDE) - AL34 - HOT	1
	AL30-RT14-SS-1	ROTOR TRI-LOBE (TOP) - AL34	2
76	E70142	O-RING FOR ROTOR - EPDM	2
	V70142	O-RING FOR ROTOR - VITON	2
77	AL30-RB01-SS	ROTOR BOLT - (HEX HEAD)	2
	AL30-RB04-SS	ROTOR BOLT - (SLOTTED) **Pressure Relief Cover Only	2
78	AL30-SW01-SS	SPRING WASHER FOR ROTOR BOLT	2
79	E70225	O-RING FOR ROTOR BOLT - EPDM	2
	V70225	O-RING FOR ROTOR BOLT - VITON	2
80	AL30-FC01-SS	FRONT COVER	1
81	AL30-HN01-SS	HEX NUT/STUD BOLT LOCK	4
82	E70271	O-RING FOR FRONT COVER - EPDM	1
	V70271	O-RING FOR FRONT COVER - VITON	1
	TE70271	O-RING FOR FRONT COVER - TEFLON ENCAP	1
83	AL30-CN01-SS	CAP NUT	4



**Single Mechanical Seal**

*Optional Items Shown in ITALICS*

Ref #	Component Item No.	Description	Qty Per
68	<b>E70230</b>	<b>O-RING FOR ROTOR CASE - EPDM</b>	<b>2</b>
	<i>V70230</i>	<i>O-RING FOR ROTOR CASE - VITON</i>	<i>2</i>
72	<b>AL30-SE07-SS</b>	<b>SEAL/MECHANICAL SEAL RING - SC</b>	<b>4</b>
76	<b>E70142</b>	<b>O-RING FOR ROTOR - EPDM</b>	<b>2</b>
	<i>V70142</i>	<i>O-RING FOR ROTOR - VITON</i>	<i>2</i>
101	<b>AL30-SE01-S3</b>	<b>SEAL/SINGLE MECH SEAL BASE</b>	<b>2</b>
102	<b>AL00-WS01-SS</b>	<b>DIN M6 FENDER WASHER</b>	<b>6</b>
103	<b>AL00-BT01-SS</b>	<b>CAP SCREW FOR SEAL RETAINER</b>	<b>6</b>

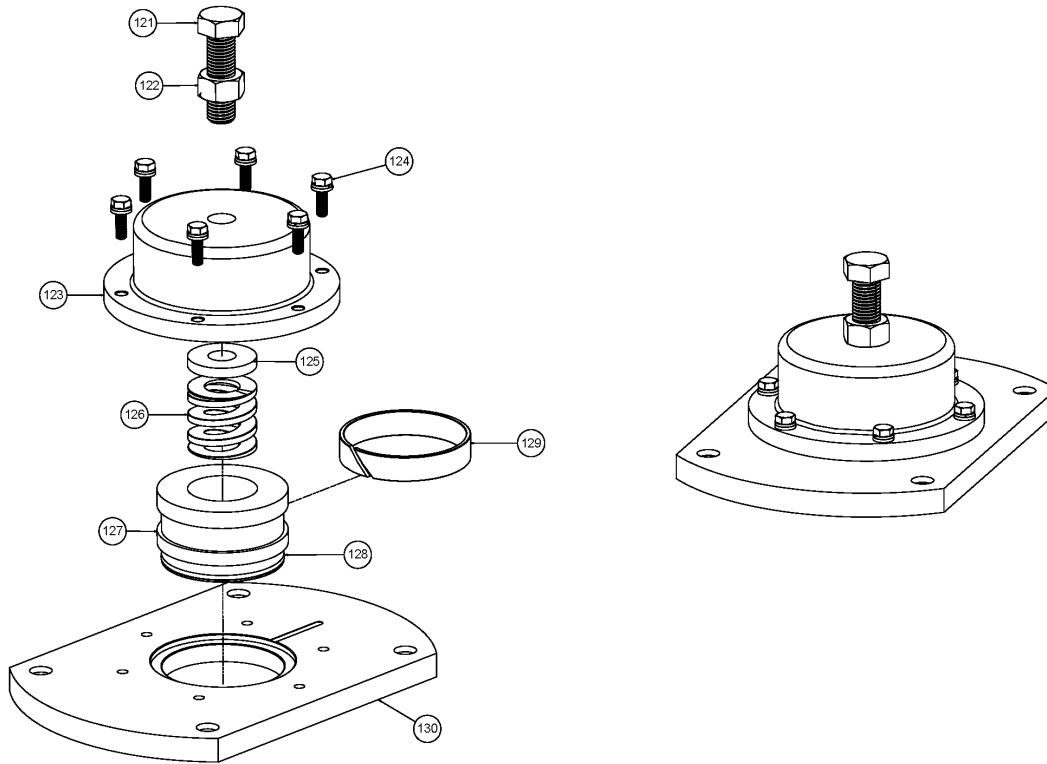


**Double Mechanical Seal**

*Optional Items Shown in ITALICS*

Ref #	Component Item No.	Description	Qty Per
68	<b>E70230</b>	<b>O-RING FOR ROTOR CASE - EPDM</b>	<b>2</b>
	<i>V70230</i>	<i>O-RING FOR ROTOR CASE - VITON</i>	<i>2</i>
72	<b>AL30-SE07-SS</b>	<b>SEAL/MECHANICAL SEAL RING - SC</b>	<b>4</b>
76	<b>E70142</b>	<b>O-RING FOR ROTOR - EPDM</b>	<b>2</b>
	<i>V70142</i>	<i>O-RING FOR ROTOR - VITON</i>	<i>2</i>
91	<b>AL30-SE01-S5</b>	<b>DOUBLE SEAL REAR BASE - SC</b>	<b>2</b>
	<i>AL30-SE01-S6</i>	<i>DOUBLE SEAL REAR BASE - TC</i>	<i>2</i>
92	<b>E70043</b>	<b>O-RING FOR DOUBLE SEAL CASE - EPDM</b>	<b>2</b>
	<i>V70043</i>	<i>O-RING FOR DOUBLE SEAL CASE - VITON</i>	<i>2</i>
93	<b>AL30-SE02-S1</b>	<b>SEAL/FLUSHED SEAL UNIT - TC</b>	<b>2</b>
	<i>AL30-SE02-S2</i>	<i>SEAL/FLUSHED SEAL UNIT - SC</i>	<i>2</i>
94	<b>E70033</b>	<b>O-RING FOR DOUBLE SEAL SHAFT - EPDM</b>	<b>2</b>
	<i>V70033</i>	<i>O-RING FOR DOUBLE SEAL SHAFT - VITON</i>	<i>2</i>

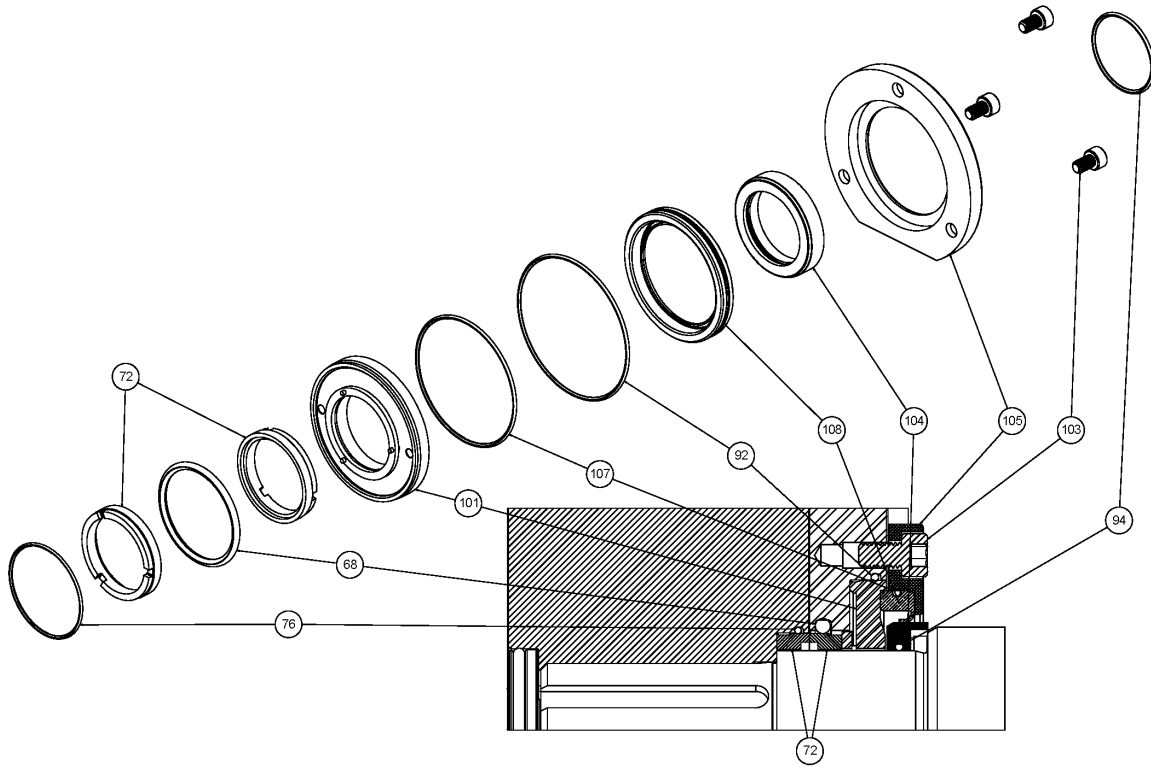




**Pressure Relief Cover**

*Optional Items Shown in ITALICS*

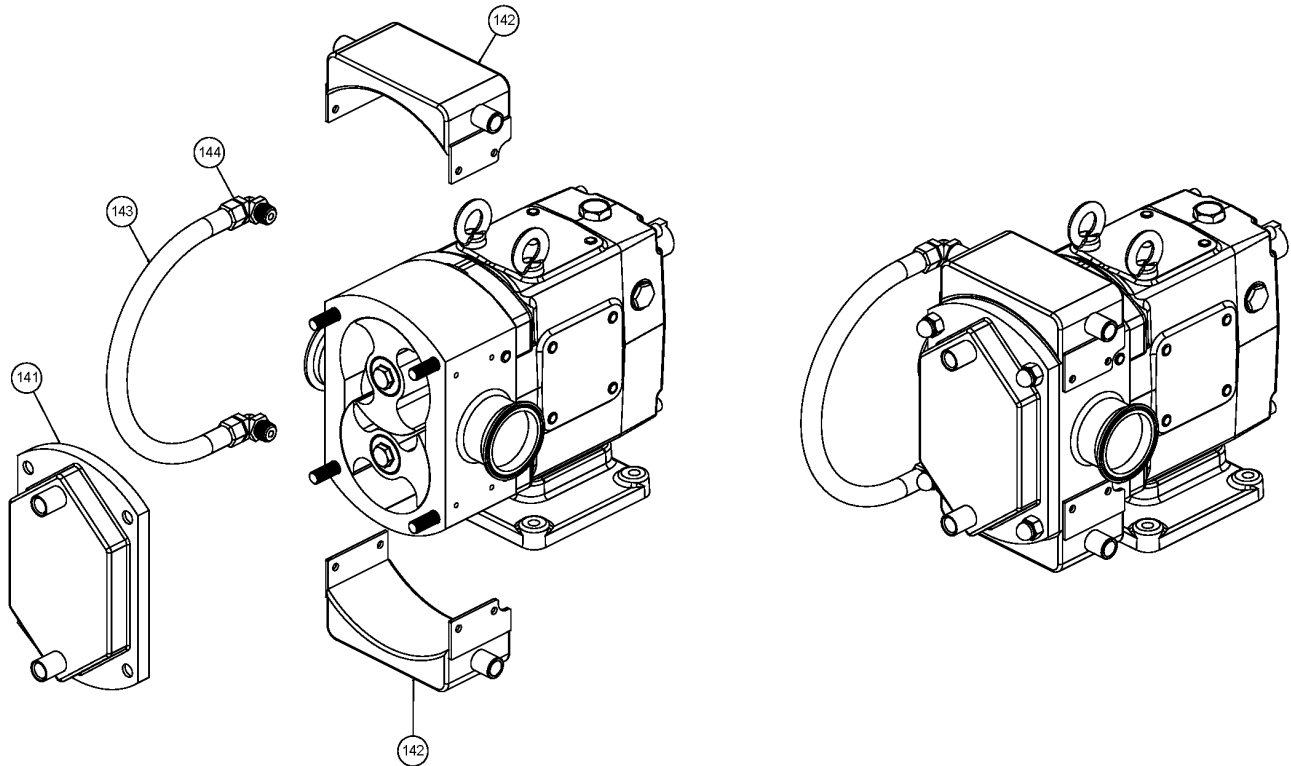
Ref #	Component Item No.	Description	Qty Per
77	AL30-RB04-SS	ROTOR BOLT - (SLOTTED) <b>**Not Shown Above</b>	2
120	GX5519190	BOLT, HEX HEAD	1
121	GX5519000	NUT, HEX HEAD	1
122	AL30-RH02-SS	RELIEF VALVE HOUSING	1
123	GX5512110	BOLT, HEX HEAD	8
124	GX5512010	LOCK WASHER	8
125	AL40-RP03-SS	ADJUSTMENT PIN, AL300/AL400	1
126	AL30-RS03-CS	SPRING, AL300/AL400	1
127	AL40-RV02-SS	VALVE HEAD, AL300/AL400	1
128	AL40-WR01-PF	WEAR RING, TEFLON, AL300/AL400	1
129	E70238	O-RING, EPDM	1
	V70238	O-RING, VITON	1
130	AL30-FC04-SS	FRONT COVER, VENTED	1
131	AL30-FR01-SS	FRONT COVER ASSEMBLY, VENTED	1



**Single Mechanical Seal with Flush**

*Optional Items Shown in ITALICS*

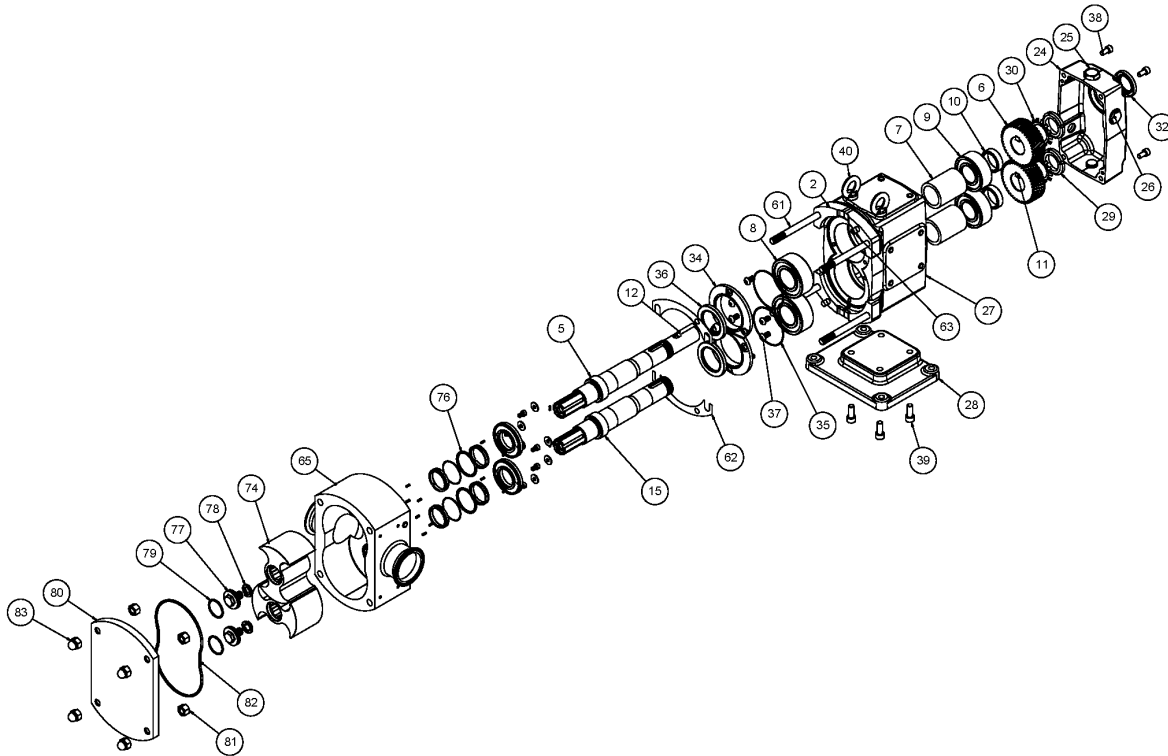
Ref #	Component Item No.	Description	Qty Per
68	<b>E70230</b>	<b>O-RING FOR ROTOR CASE - EPDM</b>	2
	<i>V70230</i>	<i>O-RING FOR ROTOR CASE - VITON</i>	2
72	<b>AL30-SE06-SS</b>	<b>SEAL/MECHANICAL SEAL RING - TC</b>	4
	<i>AL30-SE07-SS</i>	<i>SEAL/MECHANICAL SEAL RING - SC</i>	4
76	<b>E70142</b>	<b>O-RING FOR ROTOR - EPDM</b>	2
	<i>V70142</i>	<i>O-RING FOR ROTOR - VITON</i>	2
92	<b>E70043</b>	<b>O-RING FOR DOUBLE SEAL CASE - EPDM</b>	2
	<i>V70043</i>	<i>O-RING FOR DOUBLE SEAL CASE - VITON</i>	2
94	<b>E70033</b>	<b>O-RING FOR DOUBLE SEAL SHAFT - EPDM</b>	2
	<i>V70033</i>	<i>O-RING FOR DOUBLE SEAL SHAFT - VITON</i>	2
101	<b>AL30-SE01-S3</b>	<b>SEAL/SINGLE MECH SEAL BASE</b>	2
103	<b>AL00-BT01-SS</b>	<b>CAP SCREW FOR SEAL RETAINER</b>	6
104	<b>AL30-FL02-CE</b>	<b>CERMAIC SLEEVE FOR FLUSHING</b>	2
105	<b>AL30-FL03-SS</b>	<b>SS GLAND FOR FLUSHING</b>	2
107	<b>E70041</b>	<b>O-RING FOR FLUSHED LIP - EPDM</b>	2
	<i>V70041</i>	<i>O-RING FOR FLUSHED LIP - VITON</i>	2
108	<b>AL30-FL01-PF</b>	<b>PTFE - LIP SEAL FOR FLUSHING</b>	2



**Heating Jackets**

*Optional Items Shown in ITALICS*

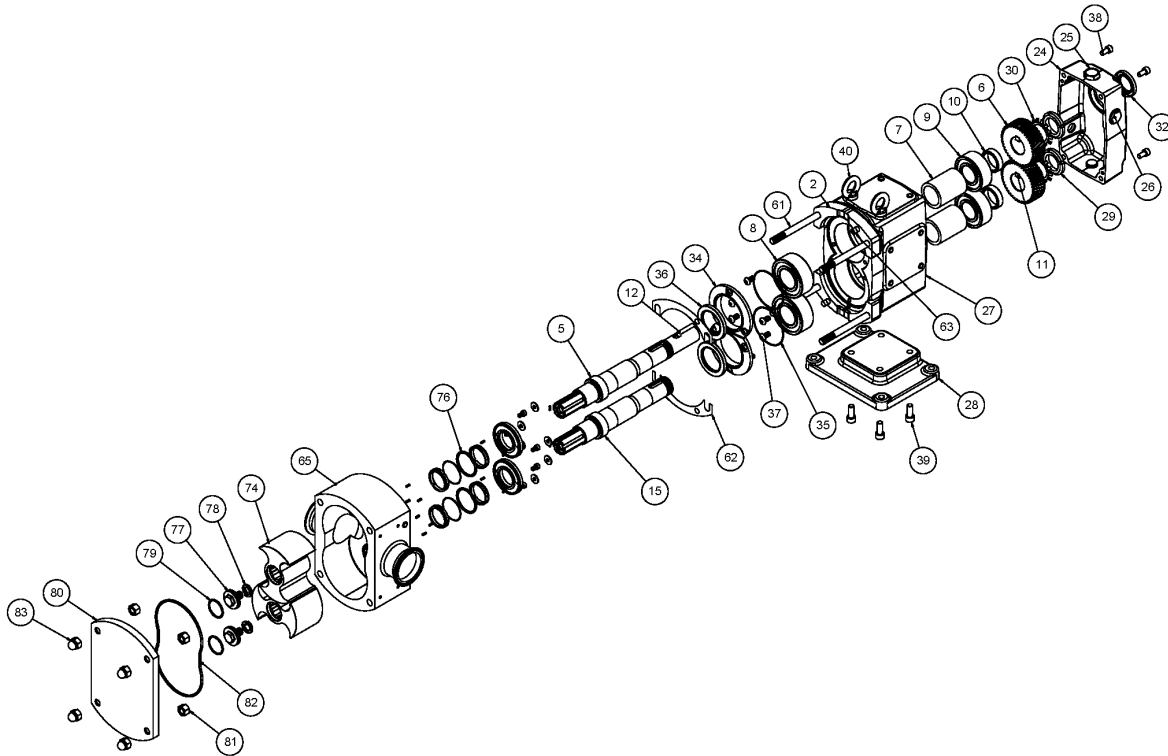
Ref #	Component Item No.	Description	Qty Per
141	AL30-FC02-SS	FRONT COVER WITH JACKET	1
142	AL30-HJ04-SS	CASE HEATING JACKET FOR BODY TOP - AL34	1
	AL30-HJ05-SS	CASE HEATING JACKET FOR BODY BOTTOM - AL34	1
143	AL30-HJ03-SS	CASE HEATING JACKET FOR TUBE ASS'Y - AL300	1
144	AL00-HJ01-SS	ELBOW,HEATING JCKT - AL	2



**Exploded View**

*Optional Items Shown in ITALICS*

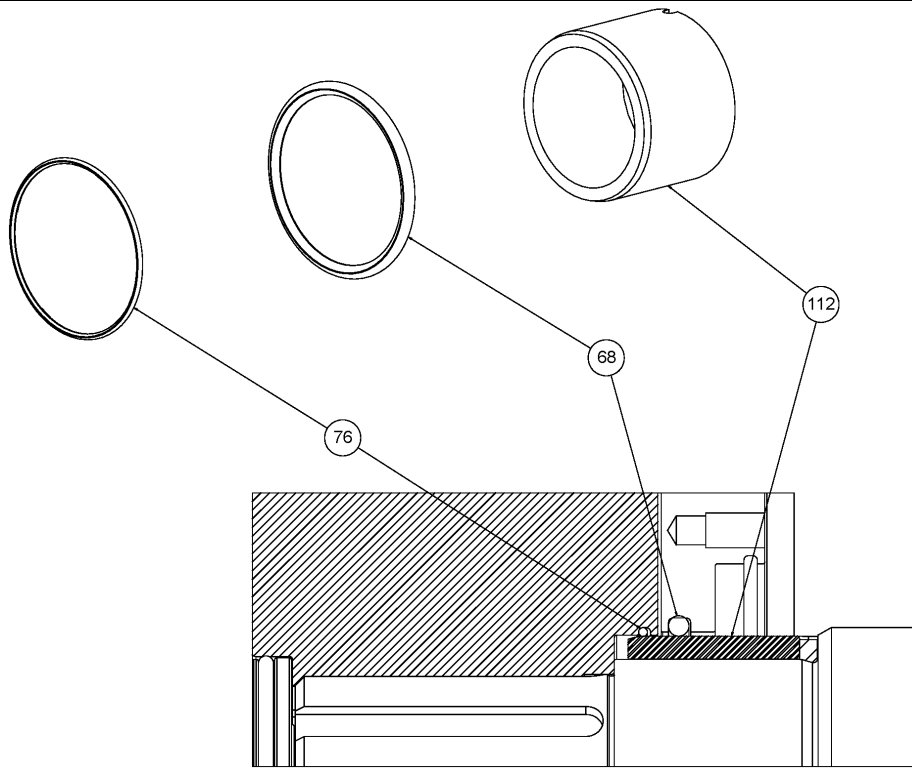
Ref #	Component Item No.	Description	Qty Per
2	AL30-GB03-SS	GEAR BOX - SS	1
5	AL30-SF03-SS	DRIVE SHAFT - AL34	1
6	AL30-HG01-CS	HELICAL GEAR - LEFT HAND	1
	AL30-HG02-CS	HELICAL GEAR - RIGHT HAND	1
7	AL30-BS01-CS	BEARING SPACER	2
8	AL30-BE01-CC	FRONT BEARING	2
9	AL30-BE02-CS	REAR BEARING	2
10	AL30-GS01-CS	GEAR SPACER	2
11	AL30-GK01-CS	GEAR KEY - 14x9x36	2
12	AL30-SK01-CS	SHAFT KEY - 14x9x36	1
15	AL30-SF04-SS	SHORT SHAFT - AL34	1
24	AL30-GB04-SS	GEAR BOX COVER - SS	1
25	P1GX115798	HEX PLUG WITH NBR SEAL	2
26	P1GX115799	OIL LEVEL INDICATOR	2
27	AL30-PN05-SS	DOWEL FOR GEAR BOX, AL300/AL400	2
28	AL30-GB05-SS	GEAR BOX BASE - SS	1
29	AL30-LN01-CS	LOCK NUT	2
30	AL30-LW01-CS	LOCK WASHER	2
32	AL30-OS02-L3	REAR OIL SEAL - NBR	1
34	AL30-OS01-SS	OIL SEAL GLAND	2
35	N70046	O-RING FOR OIL SEAL GLAND - NBR	2
36	AL30-OS01-L3	FRONT OIL SEAL - NBR	2
37	AL30-BT01-SS	CAP SCREW FOR OIL SEAL GLAND	8
38	AL30-BT02-SS	CAP SCREW FOR GEAR BOX COVER	4
39	AL30-BT03-SS	CAP SCREW FOR GEAR BASE	4
40	AL30-BT04-SS	EYEBOLT	2
61	AL30-SB02-SS	CASE STUD BOLT - AL34	4



**Exploded View**

*Optional Items Shown in ITALICS*

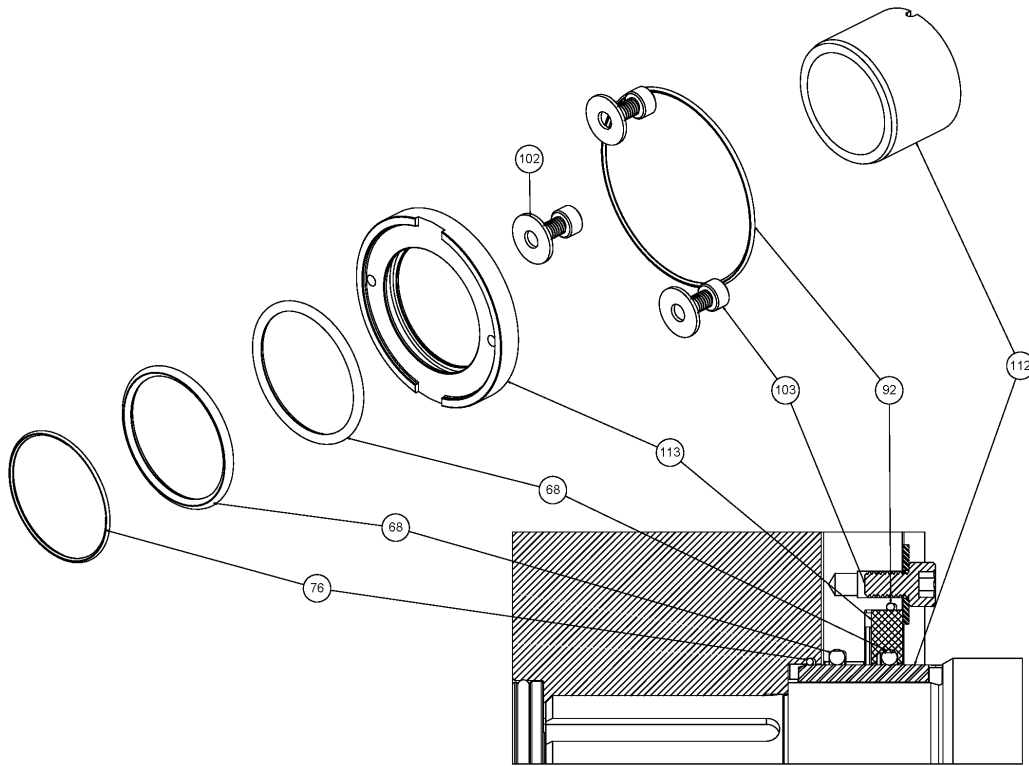
Ref #	Component Item No.	Description	Qty Per
62	AL30-SP01-SS-02	SHIM - 0.002" THICKNESS - AL300 SERIES	2
	AL30-SP01-SS-04	SHIM - 0.004" THICKNESS - AL300 SERIES	2
63	AL30-PN04-SS	DOWEL FOR CASE	2
65	AL30-RC47-SS	ROTOR CASE - AL34	1
68	E70230	O-RING FOR ROTOR CASE - EPDM	2
	V70230	O-RING FOR ROTOR CASE - VITON	2
72	AL30-SE06-SS	SEAL/MECHANICAL SEAL RING - TC	4
	AL30-SE07-SS	SEAL/MECHANICAL SEAL RING - SC	4
74	AL30-RT12-SS-1	ROTOR BI-WING (TOP) - AL34	1
	AL30-RT12-SS-2	ROTOR BI-WING (SIDE) - AL34	1
	AL30-RT12-SS-1H	ROTOR BI-WING (TOP) - AL34 - HOT	1
	AL30-RT12-SS-2H	ROTOR BI-WING (SIDE) - AL34 - HOT	1
	AL30-RT14-SS-1	ROTOR TRI-LOBE (TOP) - AL34	2
76	E70142	O-RING FOR ROTOR - EPDM	2
	V70142	O-RING FOR ROTOR - VITON	2
77	AL30-RB01-SS	ROTOR BOLT - (HEX HEAD)	2
	AL30-RB04-SS	ROTOR BOLT - (SLOTTED) **Pressure Relief Cover Only	2
78	AL30-SW01-SS	SPRING WASHER FOR ROTOR BOLT	2
79	E70225	O-RING FOR ROTOR BOLT - EPDM	2
	V70225	O-RING FOR ROTOR BOLT - VITON	2
80	AL30-FC01-SS	FRONT COVER	1
81	AL30-HN01-SS	HEX NUT/STUD BOLT LOCK	4
82	E70271	O-RING FOR FRONT COVER - EPDM	1
	V70271	O-RING FOR FRONT COVER - VITON	1
	TE70271	O-RING FOR FRONT COVER - TEFLON ENCAP	1
83	AL30-CN01-SS	CAP NUT	4



**Single O-Ring Seal**

*Optional Items Shown in ITALICS*

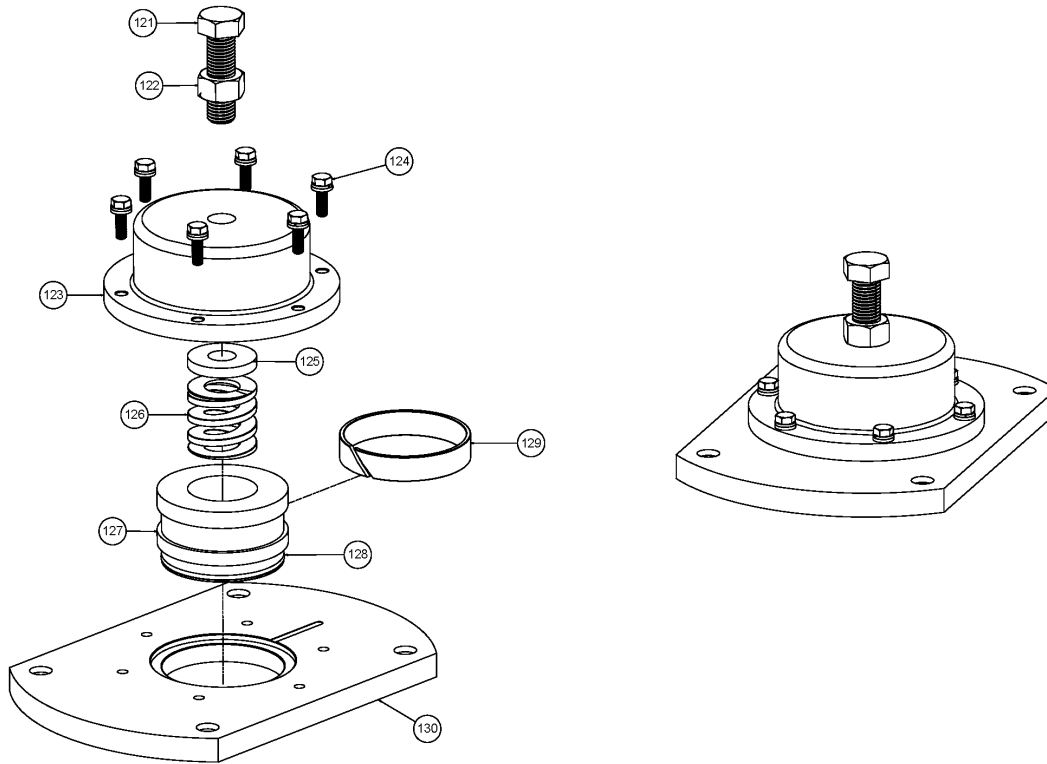
Ref #	Component Item No.	Description	Qty Per
68	<b>E70230</b>	<b>O-RING FOR ROTOR CASE - EPDM</b>	<b>2</b>
	<i>V70230</i>	<i>O-RING FOR ROTOR CASE - VITON</i>	<i>2</i>
76	<b>E70142</b>	<b>O-RING FOR ROTOR - EPDM</b>	<b>2</b>
	<i>V70142</i>	<i>O-RING FOR ROTOR - VITON</i>	<i>2</i>
112	<b>AL30-SE08-SS</b>	<b>SLEEVE, CHROME OXIDE COATED</b>	<b>2</b>
	<i>AL30-SE09-SS</i>	<i>SLEEVE, STAINLESS STEEL</i>	<i>2</i>
	<i>AL30-SE10-SS</i>	<i>SLEEVE, CERAMIC</i>	<i>2</i>



**Double O-Ring Seal**

*Optional Items Shown in ITALICS*

Ref #	Component Item No.	Description	Qty Per
68	<b>E70230</b>	<b>O-RING FOR ROTOR CASE - EPDM</b>	<b>2</b>
	<i>V70230</i>	<i>O-RING FOR ROTOR CASE - VITON</i>	2
76	<b>E70142</b>	<b>O-RING FOR ROTOR - EPDM</b>	<b>2</b>
	<i>V70142</i>	<i>O-RING FOR ROTOR - VITON</i>	2
92	<b>E70043</b>	<b>O-RING FOR DOUBLE SEAL CASE - EPDM</b>	<b>2</b>
	<i>V70043</i>	<i>O-RING FOR DOUBLE SEAL CASE - VITON</i>	2
102	<b>AL00-WS01-SS</b>	<b>DIN M6 FENDER WASHER</b>	<b>6</b>
103	<b>AL00-BT01-SS</b>	<b>CAP SCREW FOR SEAL RETAINER</b>	<b>6</b>
112	<b>AL30-SE08-SS</b>	<b>SLEEVE, CHROME OXIDE COATED</b>	<b>2</b>
	<i>AL30-SE09-SS</i>	<i>SLEEVE, STAINLESS STEEL</i>	2
	<i>AL30-SE10-SS</i>	<i>SLEEVE, CERAMIC</i>	2
113	<b>AL30-OS02-SS</b>	<b>SS GLAND FOR DOUBLE O-RING</b>	<b>2</b>

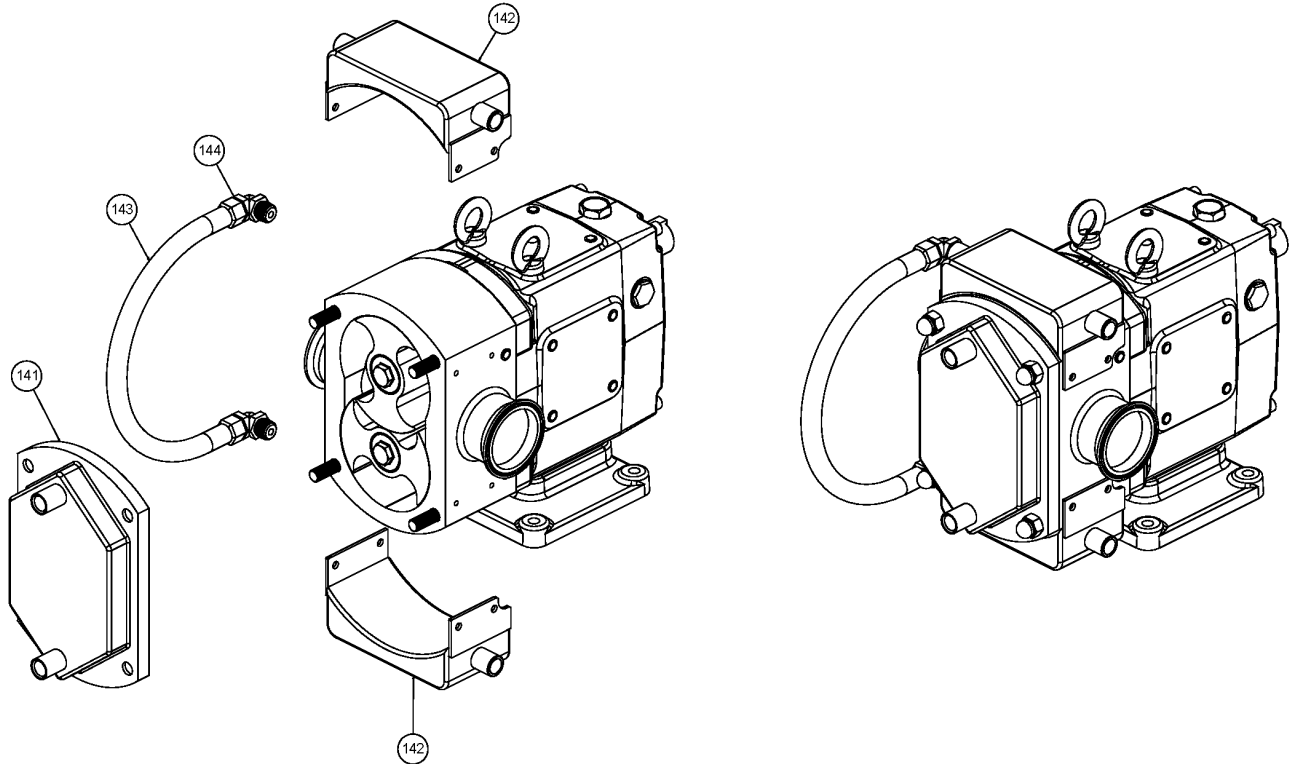


**Pressure Relief Cover**

*Optional Items Shown in ITALICS*

Ref #	Component Item No.	Description	Qty Per
77	AL30-RB04-SS	ROTOR BOLT - (SLOTTED) <b>**Not Shown Above</b>	2
120	GX5519190	BOLT, HEX HEAD	1
121	GX5519000	NUT, HEX HEAD	1
122	AL30-RH02-SS	RELIEF VALVE HOUSING	1
123	GX5512110	BOLT, HEX HEAD	8
124	GX5512010	LOCK WASHER	8
125	AL40-RP03-SS	ADJUSTMENT PIN, AL300/AL400	1
126	AL30-RS03-CS	SPRING, AL300/AL400	1
127	AL40-RV02-SS	VALVE HEAD, AL300/AL400	1
128	AL40-WR01-PF	WEAR RING, TEFLON, AL300/AL400	1
129	E70238	O-RING, EPDM	1
	V70238	O-RING, VITON	1
130	AL30-FC04-SS	FRONT COVER, VENTED	1
131	AL30-FR01-SS	FRONT COVER ASSEMBLY, VENTED	1





**Heating Jackets**

*Optional Items Shown in ITALICS*

Ref #	Component Item No.	Description	Qty Per
141	AL30-FC02-SS	FRONT COVER WITH JACKET	1
142	AL30-HJ04-SS	CASE HEATING JACKET FOR BODY TOP - AL34	1
	AL30-HJ05-SS	CASE HEATING JACKET FOR BODY BOTTOM - AL34	1
143	AL30-HJ03-SS	CASE HEATING JACKET FOR TUBE ASS'Y - AL300	1
144	AL00-HJ01-SS	ELBOW,HEATING JCKT - AL	2



**Exploded View**

*Optional Items Shown in ITALICS*

Ref #	Component Item No.	Description	Qty Per
2	AL40-GB06-SS	GEAR BOX - SS	1
5	AL40-SF05-SS	DRIVE SHAFT - AL44	1
6	AL40-HG01-CS	HELICAL GEAR - LEFT HAND	1
	AL40-HG02-CS	HELICAL GEAR - RIGHT HAND	1
7	AL40-BS03-CS	BEARING SPACER, SLEEVE	2
	AL40-BS04-CS	BEARING SPACER	2
8	P1GX200036000	FRONT BEARING	2
9	P1GX200036000	REAR BEARING	2
10	AL40-GS01-CS	GEAR SPACER	2
11	AL40-GK01-CS	GEAR KEY	2
12	AL40-SK01-CS	SHAFT KEY	1
15	AL40-SF06-SS	SHORT SHAFT - AL44	1
24	AL40-GB04-SS	GEAR BOX COVER - SS	1
25	P1GX115798	HEX PLUG WITH NBR SEAL	2
26	P1GX115799	OIL LEVEL INDICATOR	2
27	AL30-PN05-SS	DOWEL FOR GEAR BOX, AL300/AL400	2
28	AL40-GB05-SS	GEAR BOX BASE - SS	1
29	AL40-LN02-CS	LOCK NUT, REAR	2
30	AL40-LW02-CS	LOCK WASHER, REAR	2
32	AL40-OS02-L1	REAR OIL SEAL - NBR	1
34	AL40-OS01-SS	OIL SEAL GLAND	2
35	N70049	O-RING FOR OIL SEAL GLAND - NBR	2
36	AL40-OS01-L1	FRONT OIL SEAL - NBR	2
37	AL40-BT01-SS	CAP SCREW FOR OIL SEAL GLAND	8
38	AL40-BT05-SS	CAP SCREW FOR GEAR BOX COVER	4
39	AL40-BT02-SS	CAP SCREW FOR GEAR BASE	4
40	AL40-BT04-SS	EYEBOLT	2



**Exploded View**

*Optional Items Shown in ITALICS*

Ref #	Component Item No.	Description	Qty Per
61	AL40-SB01-SS	CASE STUD - AL44	4
62	AL40-SP01-SS-02	SHIM - 0.002" THICKNESS - AL400 SERIES	2
	AL40-SP01-SS-04	SHIM - 0.004" THICKNESS - AL400 SERIES	2
	AL40-SP01-SS-08	SHIM - 0.008" THICKNESS - AL400 SERIES	2
63	AL40-PN04-SS	DOWEL FOR CASE	2
65	AL40-RC47-SS	ROTOR CASE - AL44	1
68	E70234	O-RING FOR ROTOR CASE - EPDM	2
	V70234	O-RING FOR ROTOR CASE - VITON	2
72	AL40-SE06-SS	SEAL/MECHANICAL SEAL RING - TC	4
	AL40-SE07-SS	SEAL/MECHANICAL SEAL RING - SC	4
74	AL40-RT12-SS	ROTOR BI-WING (TOP) - AL44	1
	AL40-RT12-SS-2	ROTOR BI-WING (SIDE) - AL44	1
	AL40-RT15-SS	ROTOR TRI-LOBE (TOP) - AL44	2
76	E70151	O-RING FOR ROTOR - EPDM	2
	V70151	O-RING FOR ROTOR - VITON	2
77	AL40-RB01-SS	ROTOR BOLT	2
78	AL40-SW01-SS	SPRING WASHER FOR ROTOR BOLT	2
79	E70228	O-RING FOR ROTOR BOLT - EPDM	2
	V70228	O-RING FOR ROTOR BOLT - VITON	2
80	AL40-FC02-SS	FRONT COVER	1
81	AL40-HN01-SS	HEX NUT/STUD BOLT LOCK	4
82	E70278	O-RING FOR FRONT COVER - EPDM	1
	V70278	O-RING FOR FRONT COVER - VITON	1
	TE70278	O-RING FOR FRONT COVER - TEFLON ENCAP	1
83	AL40-CN01-SS	CAP NUT	4



**Pressure Relief Cover**

*Optional Items Shown in ITALICS*

Ref #	Component Item No.	Description	Qty Per
120	GX5519190	BOLT, HEX HEAD	1
121	GX5519000	NUT, HEX HEAD	1
122	AL40-RH02-SS	RELIEF VALVE HOUSING	1
123	GX5512110	BOLT, HEX HEAD	8
124	GX5512010	LOCK WASHER	8
125	AL40-RP03-SS	ADJUSTMENT PIN, AL300/AL400	1
126	AL30-RS03-CS	SPRING, AL300/AL400	1
127	AL40-RV02-SS	VALVE HEAD, AL300/AL400	1
128	AL40-WR01-PF	WEAR RING, TEFLON, AL300/AL400	1
129	E70238	O-RING, EPDM	1
	<i>V70238</i>	<i>O-RING, VITON</i>	<i>1</i>
130	AL40-FC05-SS	FRONT COVER, VENTED	1
131	AL40-FR01-SS	FRONT COVER ASSEMBLY, VENTED	1



**Lip Seal**

*Optional Items Shown in ITALICS*

Ref #	Component Item No.	Description	Qty Per
76	<b>E70151</b>	<b>O-RING FOR ROTOR - EPDM</b>	<b>2</b>
	<i>V70151</i>	<i>O-RING FOR ROTOR - VITON</i>	<i>2</i>
103	<b>AL00-BT01-SS</b>	<b>CAP SCREW FOR SEAL RETAINER</b>	<b>6</b>
113	<b>AL40-SE09-SS</b>	<b>SS GLAND FOR FOR PRODUCT</b>	<b>2</b>
114	<b>E70237</b>	<b>O-RING, DOUBLE LIP SEAL - EPDM</b>	<b>2</b>
	<i>V70237</i>	<i>O-RING, DOUBLE LIP SEAL - VITON</i>	<i>2</i>
115	<b>AL40-SE05-S2</b>	<b>DOUBLE LIP SEAL FOR PRODCUT - TEFLON</b>	<b>2</b>
	<i>AL40-SE06-S2</i>	<i>TRIPLE LIP SEAL FOR PRODCUT - TEFLON</i>	<i>2</i>



**Heating Jackets**

*Optional Items Shown in ITALICS*

Ref #	Component Item No.	Description	Qty Per
141	AL40-FC04-SS	FRONT COVER WITH JACKET	1
142	AL40-HJ01-SS	CASE HEATING JACKET FOR BODY TOP - AL44	1
	AL40-HJ02-SS	CASE HEATING JACKET FOR BODY BOTTOM - AL44	1
143	AL40-HJ03-SS	CASE HEATING JACKET FOR TUBE ASS'Y - AL400	1
144	AL00-HJ01-SS	ELBOW,HEATING JCKT - AL	2



**Exploded View**

*Optional Items Shown in ITALICS*

Ref #	Component Item No.	Description	Qty Per
2	AL40-GB06-SS	GEAR BOX - SS	1
5	AL40-SF05-SS	DRIVE SHAFT - AL44	1
6	AL40-HG01-CS	HELICAL GEAR - LEFT HAND	1
	AL40-HG02-CS	HELICAL GEAR - RIGHT HAND	1
7	AL40-BS03-CS	BEARING SPACER, SLEEVE	2
	AL40-BS04-CS	BEARING SPACER	2
8	P1GX200036000	FRONT BEARING	2
9	P1GX200036000	REAR BEARING	2
10	AL40-GS01-CS	GEAR SPACER	2
11	AL40-GK01-CS	GEAR KEY	2
12	AL40-SK01-CS	SHAFT KEY	1
15	AL40-SF06-SS	SHORT SHAFT - AL44	1
24	AL40-GB04-SS	GEAR BOX COVER - SS	1
25	P1GX115798	HEX PLUG WITH NBR SEAL	2
26	P1GX115799	OIL LEVEL INDICATOR	2
27	AL30-PN05-SS	DOWEL FOR GEAR BOX, AL300/AL400	2
28	AL40-GB05-SS	GEAR BOX BASE - SS	1
29	AL40-LN02-CS	LOCK NUT, REAR	2
30	AL40-LW02-CS	LOCK WASHER, REAR	2
32	AL40-OS02-L1	REAR OIL SEAL - NBR	1
34	AL40-OS01-SS	OIL SEAL GLAND	2
35	N70049	O-RING FOR OIL SEAL GLAND - NBR	2
36	AL40-OS01-L1	FRONT OIL SEAL - NBR	2
37	AL40-BT01-SS	CAP SCREW FOR OIL SEAL GLAND	8
38	AL40-BT05-SS	CAP SCREW FOR GEAR BOX COVER	4
39	AL40-BT02-SS	CAP SCREW FOR GEAR BASE	4
40	AL40-BT04-SS	EYEBOLT	2



**Exploded View**

*Optional Items Shown in ITALICS*

Ref #	Component Item No.	Description	Qty Per
61	AL40-SB01-SS	CASE STUD - AL44	4
62	AL40-SP01-SS-02	SHIM - 0.002" THICKNESS - AL400 SERIES	2
	AL40-SP01-SS-04	SHIM - 0.004" THICKNESS - AL400 SERIES	2
	AL40-SP01-SS-08	SHIM - 0.008" THICKNESS - AL400 SERIES	2
63	AL40-PN04-SS	DOWEL FOR CASE	2
65	AL40-RC47-SS	ROTOR CASE - AL44	1
68	E70234	O-RING FOR ROTOR CASE - EPDM	2
	V70234	O-RING FOR ROTOR CASE - VITON	2
72	AL40-SE06-SS	SEAL/MECHANICAL SEAL RING - TC	4
	AL40-SE07-SS	SEAL/MECHANICAL SEAL RING - SC	4
74	AL40-RT12-SS	ROTOR BI-WING (TOP) - AL44	1
	AL40-RT12-SS-2	ROTOR BI-WING (SIDE) - AL44	1
	AL40-RT15-SS	ROTOR TRI-LOBE (TOP) - AL44	2
76	E70151	O-RING FOR ROTOR - EPDM	2
	V70151	O-RING FOR ROTOR - VITON	2
77	AL40-RB01-SS	ROTOR BOLT	2
78	AL40-SW01-SS	SPRING WASHER FOR ROTOR BOLT	2
79	E70228	O-RING FOR ROTOR BOLT - EPDM	2
	V70228	O-RING FOR ROTOR BOLT - VITON	2
80	AL40-FC02-SS	FRONT COVER	1
81	AL40-HN01-SS	HEX NUT/STUD BOLT LOCK	4
82	E70278	O-RING FOR FRONT COVER - EPDM	1
	V70278	O-RING FOR FRONT COVER - VITON	1
	TE70278	O-RING FOR FRONT COVER - TEFLON ENCAP	1
83	AL40-CN01-SS	CAP NUT	4





**Single Mechanical Seal**

*Optional Items Shown in ITALICS*

Ref #	Component Item No.	Description	Qty Per
68	<b>E70234</b>	<b>O-RING FOR ROTOR CASE - EPDM</b>	<b>2</b>
	<i>V70234</i>	<i>O-RING FOR ROTOR CASE - VITON</i>	<i>2</i>
72	<b>AL40-SE06-SS</b>	<b>SEAL/MECHANICAL SEAL RING - TC</b>	<b>4</b>
	<i>AL40-SE07-SS</i>	<i>SEAL/MECHANICAL SEAL RING - SC</i>	<i>4</i>
76	<b>E70151</b>	<b>O-RING FOR ROTOR - EPDM</b>	<b>2</b>
	<i>V70151</i>	<i>O-RING FOR ROTOR - VITON</i>	<i>2</i>
101	<b>AL40-SE01-S3</b>	<b>SEAL/SINGLE MECH SEAL BASE</b>	<b>2</b>
103	<b>AL00-BT01-SS</b>	<b>CAP SCREW FOR SEAL RETAINER</b>	<b>6</b>



**Double Mechanical Seal**

*Optional Items Shown in ITALICS*

Ref #	Component Item No.	Description	Qty Per
68	<b>E70234</b>	<b>O-RING FOR ROTOR CASE - EPDM</b>	<b>2</b>
	<i>V70234</i>	<i>O-RING FOR ROTOR CASE - VITON</i>	<i>2</i>
72	<b>AL40-SE06-SS</b>	<b>SEAL/MECHANICAL SEAL RING - TC</b>	<b>4</b>
	<i>AL40-SE07-SS</i>	<i>SEAL/MECHANICAL SEAL RING - SC</i>	<i>4</i>
76	<b>E70151</b>	<b>O-RING FOR ROTOR - EPDM</b>	<b>2</b>
	<i>V70151</i>	<i>O-RING FOR ROTOR - VITON</i>	<i>2</i>
91	<b>AL40-SE01-S5</b>	<b>DOUBLE SEAL REAR BASE - SC</b>	<b>2</b>
	<i>AL40-SE01-S6</i>	<i>DOUBLE SEAL REAR BASE - TC</i>	<i>2</i>
92	<b>E70045</b>	<b>O-RING FOR DOUBLE SEAL CASE - EPDM</b>	<b>2</b>
	<i>V70045</i>	<i>O-RING FOR DOUBLE SEAL CASE - VITON</i>	<i>2</i>
93	<b>AL40-SE02-S2</b>	<b>SEAL/FLUSHED SEAL UNIT - SC</b>	<b>2</b>
	<i>AL40-SE02-S1</i>	<i>SEAL/FLUSHED SEAL UNIT - TC</i>	<i>2</i>
94	<b>E70038</b>	<b>O-RING FOR DOUBLE SEAL SHAFT - EPDM</b>	<b>2</b>
	<i>V70038</i>	<i>O-RING FOR DOUBLE SEAL SHAFT - VITON</i>	<i>2</i>



**Pressure Relief Cover**

*Optional Items Shown in ITALICS*

Ref #	Component Item No.	Description	Qty Per
120	GX5519190	BOLT, HEX HEAD	1
121	GX5519000	NUT, HEX HEAD	1
122	AL40-RH02-SS	RELIEF VALVE HOUSING	1
123	GX5512110	BOLT, HEX HEAD	8
124	GX5512010	LOCK WASHER	8
125	AL40-RP03-SS	ADJUSTMENT PIN, AL300/AL400	1
126	AL30-RS03-CS	SPRING, AL300/AL400	1
127	AL40-RV02-SS	VALVE HEAD, AL300/AL400	1
128	AL40-WR01-PF	WEAR RING, TEFLON, AL300/AL400	1
129	E70238	O-RING, EPDM	1
	<i>V70238</i>	<i>O-RING, VITON</i>	<i>1</i>
130	AL40-FC05-SS	FRONT COVER, VENTED	1
131	AL40-FR01-SS	FRONT COVER ASSEMBLY, VENTED	1



**Single Mechanical Seal with Flush**

*Optional Items Shown in ITALICS*

Ref #	Component Item No.	Description	Qty Per
68	<b>E70234</b>	<b>O-RING FOR ROTOR CASE - EPDM</b>	<b>2</b>
	<i>V70234</i>	<i>O-RING FOR ROTOR CASE - VITON</i>	<i>2</i>
72	<b>AL40-SE06-SS</b>	<b>SEAL/MECHANICAL SEAL RING - TC</b>	<b>4</b>
	<i>AL40-SE07-SS</i>	<i>SEAL/MECHANICAL SEAL RING - SC</i>	<i>4</i>
76	<b>E70151</b>	<b>O-RING FOR ROTOR - EPDM</b>	<b>2</b>
	<i>V70151</i>	<i>O-RING FOR ROTOR - VITON</i>	<i>2</i>
92	<b>E70045</b>	<b>O-RING FOR DOUBLE SEAL CASE - EPDM</b>	<b>2</b>
	<i>V70045</i>	<i>O-RING FOR DOUBLE SEAL CASE - VITON</i>	<i>2</i>
94	<b>E70038</b>	<b>O-RING FOR DOUBLE SEAL SHAFT - EPDM</b>	<b>2</b>
	<i>V70038</i>	<i>O-RING FOR DOUBLE SEAL SHAFT - VITON</i>	<i>2</i>
101	<b>AL40-SE01-S3</b>	<b>SEAL/SINGLE MECH SEAL BASE</b>	<b>2</b>
103	<b>AL00-BT01-SS</b>	<b>CAP SCREW FOR SEAL RETAINER</b>	<b>6</b>
104	<b>AL40-FL02-CE</b>	<b>CERMAIC SLEEVE FOR FLUSHING</b>	<b>2</b>
105	<b>AL40-FL03-SS</b>	<b>SS GLAND FOR FLUSHING</b>	<b>2</b>
107	<b>E70043</b>	<b>O-RING FOR FLUSHED LIP - EPDM</b>	<b>2</b>
	<i>V70043</i>	<i>O-RING FOR FLUSHED LIP - VITON</i>	<i>2</i>
108	<b>AL40-FL01-PF</b>	<b>PTFE - LIP SEAL FOR FLUSHING</b>	<b>2</b>



**Heating Jackets**

*Optional Items Shown in ITALICS*

Ref #	Component Item No.	Description	Qty Per
141	AL40-FC04-SS	FRONT COVER WITH JACKET	1
142	AL40-HJ01-SS	CASE HEATING JACKET FOR BODY TOP - AL44	1
	AL40-HJ02-SS	CASE HEATING JACKET FOR BODY BOTTOM - AL44	1
143	AL40-HJ03-SS	CASE HEATING JACKET FOR TUBE ASS'Y - AL400	1
144	AL00-HJ01-SS	ELBOW,HEATING JCKT - AL	2



**Exploded View**

*Optional Items Shown in ITALICS*

Ref #	Component Item No.	Description	Qty Per
2	AL40-GB06-SS	GEAR BOX - SS	1
5	AL40-SF05-SS	DRIVE SHAFT - AL44	1
6	AL40-HG01-CS	HELICAL GEAR - LEFT HAND	1
	AL40-HG02-CS	HELICAL GEAR - RIGHT HAND	1
7	AL40-BS03-CS	BEARING SPACER, SLEEVE	2
	AL40-BS04-CS	BEARING SPACER	2
8	P1GX200036000	FRONT BEARING	2
9	P1GX200036000	REAR BEARING	2
10	AL40-GS01-CS	GEAR SPACER	2
11	AL40-GK01-CS	GEAR KEY	2
12	AL40-SK01-CS	SHAFT KEY	1
15	AL40-SF06-SS	SHORT SHAFT - AL44	1
24	AL40-GB04-SS	GEAR BOX COVER - SS	1
25	P1GX115798	HEX PLUG WITH NBR SEAL	2
26	P1GX115799	OIL LEVEL INDICATOR	2
27	AL30-PN05-SS	DOWEL FOR GEAR BOX, AL300/AL400	2
28	AL40-GB05-SS	GEAR BOX BASE - SS	1
29	AL40-LN02-CS	LOCK NUT, REAR	2
30	AL40-LW02-CS	LOCK WASHER, REAR	2
32	AL40-OS02-L1	REAR OIL SEAL - NBR	1
34	AL40-OS01-SS	OIL SEAL GLAND	2
35	N70049	O-RING FOR OIL SEAL GLAND - NBR	2
36	AL40-OS01-L1	FRONT OIL SEAL - NBR	2
37	AL40-BT01-SS	CAP SCREW FOR OIL SEAL GLAND	8
38	AL40-BT05-SS	CAP SCREW FOR GEAR BOX COVER	4
39	AL40-BT02-SS	CAP SCREW FOR GEAR BASE	4
40	AL40-BT04-SS	EYEBOLT	2



**Exploded View**

*Optional Items Shown in ITALICS*

Ref #	Component Item No.	Description	Qty Per
61	AL40-SB01-SS	CASE STUD - AL44	4
62	AL40-SP01-SS-02	SHIM - 0.002" THICKNESS - AL400 SERIES	2
	AL40-SP01-SS-04	SHIM - 0.004" THICKNESS - AL400 SERIES	2
	AL40-SP01-SS-08	SHIM - 0.008" THICKNESS - AL400 SERIES	2
63	AL40-PN04-SS	DOWEL FOR CASE	2
65	AL40-RC47-SS	ROTOR CASE - AL44	1
68	E70234	O-RING FOR ROTOR CASE - EPDM	2
	V70234	O-RING FOR ROTOR CASE - VITON	2
72	AL40-SE06-SS	SEAL/MECHANICAL SEAL RING - TC	4
	AL40-SE07-SS	SEAL/MECHANICAL SEAL RING - SC	4
74	AL40-RT12-SS	ROTOR BI-WING (TOP) - AL44	1
	AL40-RT12-SS-2	ROTOR BI-WING (SIDE) - AL44	1
	AL40-RT15-SS	ROTOR TRI-LOBE (TOP) - AL44	2
76	E70151	O-RING FOR ROTOR - EPDM	2
	V70151	O-RING FOR ROTOR - VITON	2
77	AL40-RB01-SS	ROTOR BOLT	2
78	AL40-SW01-SS	SPRING WASHER FOR ROTOR BOLT	2
79	E70228	O-RING FOR ROTOR BOLT - EPDM	2
	V70228	O-RING FOR ROTOR BOLT - VITON	2
80	AL40-FC02-SS	FRONT COVER	1
81	AL40-HN01-SS	HEX NUT/STUD BOLT LOCK	4
82	E70278	O-RING FOR FRONT COVER - EPDM	1
	V70278	O-RING FOR FRONT COVER - VITON	1
	TE70278	O-RING FOR FRONT COVER - TEFLON ENCAP	1
83	AL40-CN01-SS	CAP NUT	4



**Single O-Ring Seal**

*Optional Items Shown in ITALICS*

Ref #	Component Item No.	Description	Qty Per
68	<b>E70234</b>	<b>O-RING FOR ROTOR CASE - EPDM</b>	<b>2</b>
	<i>V70234</i>	<i>O-RING FOR ROTOR CASE - VITON</i>	<i>2</i>
76	<b>E70151</b>	<b>O-RING FOR ROTOR - EPDM</b>	<b>2</b>
	<i>V70151</i>	<i>O-RING FOR ROTOR - VITON</i>	<i>2</i>
112	<i>AL40-SE08-SS-O</i>	<i>SLEEVE, STAINLESS STEEL</i>	<i>2</i>
	<i>AL40-SE08-C-O</i>	<i>SLEEVE, CERAMIC</i>	<i>2</i>





**Double O-Ring Seal**

*Optional Items Shown in ITALICS*

Ref #	Component Item No.	Description	Qty Per
68	<b>E70234</b>	<b>O-RING FOR ROTOR CASE - EPDM</b>	<b>2</b>
	<i>V70234</i>	<i>O-RING FOR ROTOR CASE - VITON</i>	<i>2</i>
76	<b>E70151</b>	<b>O-RING FOR ROTOR - EPDM</b>	<b>2</b>
	<i>V70151</i>	<i>O-RING FOR ROTOR - VITON</i>	<i>2</i>
92	<b>E70045</b>	<b>O-RING FOR DOUBLE SEAL CASE - EPDM</b>	<b>2</b>
	<i>V70045</i>	<i>O-RING FOR DOUBLE SEAL CASE - VITON</i>	<i>2</i>
102	<b>AL00-WS01-SS</b>	<b>DIN M6 FENDER WASHER</b>	<b>6</b>
103	<b>AL00-BT01-SS</b>	<b>CAP SCREW FOR SEAL RETAINER</b>	<b>6</b>
112	<i>AL40-SE08-SS-O</i>	<i>SLEEVE, STAINLESS STEEL</i>	<i>2</i>
	<i>AL40-SE08-C-O</i>	<i>SLEEVE, CERAMIC</i>	<i>2</i>



**Pressure Relief Cover**

*Optional Items Shown in ITALICS*

Ref #	Component Item No.	Description	Qty Per
120	GX5519190	BOLT, HEX HEAD	1
121	GX5519000	NUT, HEX HEAD	1
122	AL40-RH02-SS	RELIEF VALVE HOUSING	1
123	GX5512110	BOLT, HEX HEAD	8
124	GX5512010	LOCK WASHER	8
125	AL40-RP03-SS	ADJUSTMENT PIN, AL300/AL400	1
126	AL30-RS03-CS	SPRING, AL300/AL400	1
127	AL40-RV02-SS	VALVE HEAD, AL300/AL400	1
128	AL40-WR01-PF	WEAR RING, TEFLON, AL300/AL400	1
129	E70238	O-RING, EPDM	1
	<i>V70238</i>	<i>O-RING, VITON</i>	<i>1</i>
130	AL40-FC05-SS	FRONT COVER, VENTED	1
131	AL40-FR01-SS	FRONT COVER ASSEMBLY, VENTED	1



**Heating Jackets**

*Optional Items Shown in ITALICS*

Ref #	Component Item No.	Description	Qty Per
141	AL40-FC04-SS	FRONT COVER WITH JACKET	1
142	AL40-HJ01-SS	CASE HEATING JACKET FOR BODY TOP - AL44	1
	AL40-HJ02-SS	CASE HEATING JACKET FOR BODY BOTTOM - AL44	1
143	AL40-HJ03-SS	CASE HEATING JACKET FOR TUBE ASS'Y - AL400	1
144	AL00-HJ01-SS	ELBOW,HEATING JCKT - AL	2



**Exploded View**

*Optional Items Shown in ITALICS*

Ref #	Component Item No.	Description	Qty Per
2	AL40-GB06-SS	GEAR BOX - SS	1
5	AL40-SF07-SS	DRIVE SHAFT - AL46	1
6	AL40-HG01-CS	HELICAL GEAR - LEFT HAND	1
	AL40-HG02-CS	HELICAL GEAR - RIGHT HAND	1
7	AL40-BS03-CS	BEARING SPACER, SLEEVE	2
	AL40-BS04-CS	BEARING SPACER	2
8	P1GX200036000	FRONT BEARING	2
9	P1GX200036000	REAR BEARING	2
10	AL40-GS01-CS	GEAR SPACER	2
11	AL40-GK01-CS	GEAR KEY	2
12	AL40-SK01-CS	SHAFT KEY	1
15	AL40-SF08-SS	SHORT SHAFT - AL46	1
24	AL40-GB04-SS	GEAR BOX COVER - SS	1
25	P1GX115798	HEX PLUG WITH NBR SEAL	2
26	P1GX115799	OIL LEVEL INDICATOR	2
27	AL30-PN05-SS	DOWEL FOR GEAR BOX, AL300/AL400	2
28	AL40-GB05-SS	GEAR BOX BASE - SS	1
29	AL40-LN02-CS	LOCK NUT, REAR	2
30	AL40-LW02-CS	LOCK WASHER, REAR	2
32	AL40-OS02-L1	REAR OIL SEAL - NBR	1
34	AL40-OS01-SS	OIL SEAL GLAND	2
35	N70049	O-RING FOR OIL SEAL GLAND - NBR	2
36	AL40-OS01-L1	FRONT OIL SEAL - NBR	2
37	AL40-BT01-SS	CAP SCREW FOR OIL SEAL GLAND	8
38	AL40-BT05-SS	CAP SCREW FOR GEAR BOX COVER	4
39	AL40-BT02-SS	CAP SCREW FOR GEAR BASE	4
40	AL40-BT04-SS	EYEBOLT	2



**Exploded View**

*Optional Items Shown in ITALICS*

Ref #	Component Item No.	Description	Qty Per
61	AL40-SB02-SS	CASE STUD - AL46	4
62	AL40-SP01-SS-02	SHIM - 0.002" THICKNESS - AL400 SERIES	2
	AL40-SP01-SS-04	SHIM - 0.004" THICKNESS - AL400 SERIES	2
	AL40-SP01-SS-08	SHIM - 0.008" THICKNESS - AL400 SERIES	2
63	AL40-PN04-SS	DOWEL FOR CASE	2
65	AL40-RC67-SS	ROTOR CASE - AL46	1
68	E70234	O-RING FOR ROTOR CASE - EPDM	2
	V70234	O-RING FOR ROTOR CASE - VITON	2
72	AL40-SE06-SS	SEAL/MECHANICAL SEAL RING - TC	4
	AL40-SE07-SS	SEAL/MECHANICAL SEAL RING - SC	4
74	AL40-RT17-SS-1	ROTOR BI-WING (TOP) - AL46	1
	AL40-RT17-SS-2	ROTOR BI-WING (SIDE) - AL46	1
76	E70151	O-RING FOR ROTOR - EPDM	2
	V70151	O-RING FOR ROTOR - VITON	2
77	AL40-RB01-SS	ROTOR BOLT	2
78	AL40-SW01-SS	SPRING WASHER FOR ROTOR BOLT	2
79	E70228	O-RING FOR ROTOR BOLT - EPDM	2
	V70228	O-RING FOR ROTOR BOLT - VITON	2
80	AL40-FC02-SS	FRONT COVER	1
81	AL40-HN01-SS	HEX NUT/STUD BOLT LOCK	4
82	E70278	O-RING FOR FRONT COVER - EPDM	1
	V70278	O-RING FOR FRONT COVER - VITON	1
	TE70278	O-RING FOR FRONT COVER - TEFLON ENCAP	1



**Pressure Relief Cover**

*Optional Items Shown in ITALICS*

Ref #	Component Item No.	Description	Qty Per
120	GX5519190	BOLT, HEX HEAD	1
121	GX5519000	NUT, HEX HEAD	1
122	AL40-RH02-SS	RELIEF VALVE HOUSING	1
123	GX5512110	BOLT, HEX HEAD	8
124	GX5512010	LOCK WASHER	8
125	AL40-RP03-SS	ADJUSTMENT PIN, AL300/AL400	1
126	AL30-RS03-CS	SPRING, AL300/AL400	1
127	AL40-RV02-SS	VALVE HEAD, AL300/AL400	1
128	AL40-WR01-PF	WEAR RING, TEFLON, AL300/AL400	1
129	E70238	O-RING, EPDM	1
	<i>V70238</i>	<i>O-RING, VITON</i>	<i>1</i>
130	AL40-FC05-SS	FRONT COVER, VENTED	1
131	AL40-FR01-SS	FRONT COVER ASSEMBLY, VENTED	1



**Lip Seal**

*Optional Items Shown in ITALICS*

Ref #	Component Item No.	Description	Qty Per
76	<b>E70151</b>	<b>O-RING FOR ROTOR - EPDM</b>	<b>2</b>
	<i>V70151</i>	<i>O-RING FOR ROTOR - VITON</i>	<i>2</i>
103	<b>AL00-BT01-SS</b>	<b>CAP SCREW FOR SEAL RETAINER</b>	<b>6</b>
113	<b>AL40-SE09-SS</b>	<b>SS GLAND FOR FOR PRODUCT</b>	<b>2</b>
114	<b>E70237</b>	<b>O-RING, DOUBLE LIP SEAL - EPDM</b>	<b>2</b>
	<i>V70237</i>	<i>O-RING, DOUBLE LIP SEAL - VITON</i>	<i>2</i>
115	<b>AL40-SE05-S2</b>	<b>DOUBLE LIP SEAL FOR PRODCUT - TEFLON</b>	<b>2</b>
	<i>AL40-SE06-S2</i>	<i>TRIPLE LIP SEAL FOR PRODCUT - TEFLON</i>	<i>2</i>



**Heating Jackets**

*Optional Items Shown in ITALICS*

Ref #	Component Item No.	Description	Qty Per
141	AL40-FC04-SS	FRONT COVER WITH JACKET	1
142	AL40-HJ01-SS	CASE HEATING JACKET FOR BODY TOP - AL44	1
	AL40-HJ02-SS	CASE HEATING JACKET FOR BODY BOTTOM - AL44	1
143	AL40-HJ03-SS	CASE HEATING JACKET FOR TUBE ASS'Y - AL400	1
144	AL00-HJ01-SS	ELBOW,HEATING JCKT - AL	2





**Exploded View**

*Optional Items Shown in ITALICS*

Ref #	Component Item No.	Description	Qty Per
2	AL40-GB06-SS	GEAR BOX - SS	1
5	AL40-SF07-SS	DRIVE SHAFT - AL46	1
6	AL40-HG01-CS	HELICAL GEAR - LEFT HAND	1
	AL40-HG02-CS	HELICAL GEAR - RIGHT HAND	1
7	AL40-BS03-CS	BEARING SPACER, SLEEVE	2
	AL40-BS04-CS	BEARING SPACER	2
8	P1GX200036000	FRONT BEARING	2
9	P1GX200036000	REAR BEARING	2
10	AL40-GS01-CS	GEAR SPACER	2
11	AL40-GK01-CS	GEAR KEY	2
12	AL40-SK01-CS	SHAFT KEY	1
15	AL40-SF08-SS	SHORT SHAFT - AL46	1
24	AL40-GB04-SS	GEAR BOX COVER - SS	1
25	P1GX115798	HEX PLUG WITH NBR SEAL	2
26	P1GX115799	OIL LEVEL INDICATOR	2
27	AL30-PN05-SS	DOWEL FOR GEAR BOX, AL300/AL400	2
28	AL40-GB05-SS	GEAR BOX BASE - SS	1
29	AL40-LN02-CS	LOCK NUT, REAR	2
30	AL40-LW02-CS	LOCK WASHER, REAR	2
32	AL40-OS02-L1	REAR OIL SEAL - NBR	1
34	AL40-OS01-SS	OIL SEAL GLAND	2
35	N70049	O-RING FOR OIL SEAL GLAND - NBR	2
36	AL40-OS01-L1	FRONT OIL SEAL - NBR	2
37	AL40-BT01-SS	CAP SCREW FOR OIL SEAL GLAND	8
38	AL40-BT05-SS	CAP SCREW FOR GEAR BOX COVER	4
39	AL40-BT02-SS	CAP SCREW FOR GEAR BASE	4
40	AL40-BT04-SS	EYEBOLT	2



**Exploded View**

*Optional Items Shown in ITALICS*

Ref #	Component Item No.	Description	Qty Per
61	AL40-SB02-SS	CASE STUD - AL46	4
62	AL40-SP01-SS-02	SHIM - 0.002" THICKNESS - AL400 SERIES	2
	AL40-SP01-SS-04	SHIM - 0.004" THICKNESS - AL400 SERIES	2
	AL40-SP01-SS-08	SHIM - 0.008" THICKNESS - AL400 SERIES	2
63	AL40-PN04-SS	DOWEL FOR CASE	2
65	AL40-RC67-SS	ROTOR CASE - AL46	1
68	E70234	O-RING FOR ROTOR CASE - EPDM	2
	V70234	O-RING FOR ROTOR CASE - VITON	2
72	AL40-SE06-SS	SEAL/MECHANICAL SEAL RING - TC	4
	AL40-SE07-SS	SEAL/MECHANICAL SEAL RING - SC	4
74	AL40-RT17-SS-1	ROTOR BI-WING (TOP) - AL46	1
	AL40-RT17-SS-2	ROTOR BI-WING (SIDE) - AL46	1
76	E70151	O-RING FOR ROTOR - EPDM	2
	V70151	O-RING FOR ROTOR - VITON	2
77	AL40-RB01-SS	ROTOR BOLT	2
78	AL40-SW01-SS	SPRING WASHER FOR ROTOR BOLT	2
79	E70228	O-RING FOR ROTOR BOLT - EPDM	2
	V70228	O-RING FOR ROTOR BOLT - VITON	2
80	AL40-FC02-SS	FRONT COVER	1
81	AL40-HN01-SS	HEX NUT/STUD BOLT LOCK	4
82	E70278	O-RING FOR FRONT COVER - EPDM	1
	V70278	O-RING FOR FRONT COVER - VITON	1
	TE70278	O-RING FOR FRONT COVER - TEFLON ENCAP	1



**Single Mechanical Seal**

*Optional Items Shown in ITALICS*

Ref #	Component Item No.	Description	Qty Per
68	<b>E70234</b>	<b>O-RING FOR ROTOR CASE - EPDM</b>	<b>2</b>
	<i>V70234</i>	<i>O-RING FOR ROTOR CASE - VITON</i>	<i>2</i>
72	<b>AL40-SE06-SS</b>	<b>SEAL/MECHANICAL SEAL RING - TC</b>	<b>4</b>
	<i>AL40-SE07-SS</i>	<i>SEAL/MECHANICAL SEAL RING - SC</i>	<i>4</i>
76	<b>E70151</b>	<b>O-RING FOR ROTOR - EPDM</b>	<b>2</b>
	<i>V70151</i>	<i>O-RING FOR ROTOR - VITON</i>	<i>2</i>
101	<b>AL40-SE01-S3</b>	<b>SEAL/SINGLE MECH SEAL BASE</b>	<b>2</b>
103	<b>AL00-BT01-SS</b>	<b>CAP SCREW FOR SEAL RETAINER</b>	<b>6</b>



**Double Mechanical Seal**

*Optional Items Shown in ITALICS*

Ref #	Component Item No.	Description	Qty Per
68	<b>E70234</b>	<b>O-RING FOR ROTOR CASE - EPDM</b>	<b>2</b>
	<i>V70234</i>	<i>O-RING FOR ROTOR CASE - VITON</i>	<i>2</i>
72	<b>AL40-SE06-SS</b>	<b>SEAL/MECHANICAL SEAL RING - TC</b>	<b>4</b>
	<i>AL40-SE07-SS</i>	<i>SEAL/MECHANICAL SEAL RING - SC</i>	<i>4</i>
76	<b>E70151</b>	<b>O-RING FOR ROTOR - EPDM</b>	<b>2</b>
	<i>V70151</i>	<i>O-RING FOR ROTOR - VITON</i>	<i>2</i>
91	<b>AL40-SE01-S5</b>	<b>DOUBLE SEAL REAR BASE - SC</b>	<b>2</b>
	<i>AL40-SE01-S6</i>	<i>DOUBLE SEAL REAR BASE - TC</i>	<i>2</i>
92	<b>E70045</b>	<b>O-RING FOR DOUBLE SEAL CASE - EPDM</b>	<b>2</b>
	<i>V70045</i>	<i>O-RING FOR DOUBLE SEAL CASE - VITON</i>	<i>2</i>
93	<b>AL40-SE02-S2</b>	<b>SEAL/FLUSHED SEAL UNIT - SC</b>	<b>2</b>
	<i>AL40-SE02-S1</i>	<i>SEAL/FLUSHED SEAL UNIT - TC</i>	<i>2</i>
94	<b>E70038</b>	<b>O-RING FOR DOUBLE SEAL SHAFT - EPDM</b>	<b>2</b>
	<i>V70038</i>	<i>O-RING FOR DOUBLE SEAL SHAFT - VITON</i>	<i>2</i>



**Pressure Relief Cover**

*Optional Items Shown in ITALICS*

Ref #	Component Item No.	Description	Qty Per
120	GX5519190	BOLT, HEX HEAD	1
121	GX5519000	NUT, HEX HEAD	1
122	AL40-RH02-SS	RELIEF VALVE HOUSING	1
123	GX5512110	BOLT, HEX HEAD	8
124	GX5512010	LOCK WASHER	8
125	AL40-RP03-SS	ADJUSTMENT PIN, AL300/AL400	1
126	AL30-RS03-CS	SPRING, AL300/AL400	1
127	AL40-RV02-SS	VALVE HEAD, AL300/AL400	1
128	AL40-WR01-PF	WEAR RING, TEFLON, AL300/AL400	1
129	E70238	O-RING, EPDM	1
	<i>V70238</i>	<i>O-RING, VITON</i>	<i>1</i>
130	AL40-FC05-SS	FRONT COVER, VENTED	1
131	AL40-FR01-SS	FRONT COVER ASSEMBLY, VENTED	1



**Single Mechanical Seal with Flush**

*Optional Items Shown in ITALICS*

Ref #	Component Item No.	Description	Qty Per
68	<b>E70234</b>	<b>O-RING FOR ROTOR CASE - EPDM</b>	<b>2</b>
	<i>V70234</i>	<i>O-RING FOR ROTOR CASE - VITON</i>	<i>2</i>
72	<b>AL40-SE06-SS</b>	<b>SEAL/MECHANICAL SEAL RING - TC</b>	<b>4</b>
	<i>AL40-SE07-SS</i>	<i>SEAL/MECHANICAL SEAL RING - SC</i>	<i>4</i>
76	<b>E70151</b>	<b>O-RING FOR ROTOR - EPDM</b>	<b>2</b>
	<i>V70151</i>	<i>O-RING FOR ROTOR - VITON</i>	<i>2</i>
92	<b>E70045</b>	<b>O-RING FOR DOUBLE SEAL CASE - EPDM</b>	<b>2</b>
	<i>V70045</i>	<i>O-RING FOR DOUBLE SEAL CASE - VITON</i>	<i>2</i>
94	<b>E70038</b>	<b>O-RING FOR DOUBLE SEAL SHAFT - EPDM</b>	<b>2</b>
	<i>V70038</i>	<i>O-RING FOR DOUBLE SEAL SHAFT - VITON</i>	<i>2</i>
101	<b>AL40-SE01-S3</b>	<b>SEAL/SINGLE MECH SEAL BASE</b>	<b>2</b>
103	<b>AL00-BT01-SS</b>	<b>CAP SCREW FOR SEAL RETAINER</b>	<b>6</b>
104	<b>AL40-FL02-CE</b>	<b>CERMAIC SLEEVE FOR FLUSHING</b>	<b>2</b>
105	<b>AL40-FL03-SS</b>	<b>SS GLAND FOR FLUSHING</b>	<b>2</b>
107	<b>E70043</b>	<b>O-RING FOR FLUSHED LIP - EPDM</b>	<b>2</b>
	<i>V70043</i>	<i>O-RING FOR FLUSHED LIP - VITON</i>	<i>2</i>
108	<b>AL40-FL01-PF</b>	<b>PTFE - LIP SEAL FOR FLUSHING</b>	<b>2</b>



**Heating Jackets**

*Optional Items Shown in ITALICS*

Ref #	Component Item No.	Description	Qty Per
141	AL40-FC04-SS	FRONT COVER WITH JACKET	1
142	AL40-HJ01-SS	CASE HEATING JACKET FOR BODY TOP - AL44	1
	AL40-HJ02-SS	CASE HEATING JACKET FOR BODY BOTTOM - AL44	1
143	AL40-HJ03-SS	CASE HEATING JACKET FOR TUBE ASS'Y - AL400	1
144	AL00-HJ01-SS	ELBOW,HEATING JCKT - AL	2



**Exploded View**

*Optional Items Shown in ITALICS*

Ref #	Component Item No.	Description	Qty Per
2	AL40-GB06-SS	GEAR BOX - SS	1
5	AL40-SF07-SS	DRIVE SHAFT - AL46	1
6	AL40-HG01-CS	HELICAL GEAR - LEFT HAND	1
	AL40-HG02-CS	HELICAL GEAR - RIGHT HAND	1
7	AL40-BS03-CS	BEARING SPACER, SLEEVE	2
	AL40-BS04-CS	BEARING SPACER	2
8	P1GX200036000	FRONT BEARING	2
9	P1GX200036000	REAR BEARING	2
10	AL40-GS01-CS	GEAR SPACER	2
11	AL40-GK01-CS	GEAR KEY	2
12	AL40-SK01-CS	SHAFT KEY	1
15	AL40-SF08-SS	SHORT SHAFT - AL46	1
24	AL40-GB04-SS	GEAR BOX COVER - SS	1
25	P1GX115798	HEX PLUG WITH NBR SEAL	2
26	P1GX115799	OIL LEVEL INDICATOR	2
27	AL30-PN05-SS	DOWEL FOR GEAR BOX, AL300/AL400	2
28	AL40-GB05-SS	GEAR BOX BASE - SS	1
29	AL40-LN02-CS	LOCK NUT, REAR	2
30	AL40-LW02-CS	LOCK WASHER, REAR	2
32	AL40-OS02-L1	REAR OIL SEAL - NBR	1
34	AL40-OS01-SS	OIL SEAL GLAND	2
35	N70049	O-RING FOR OIL SEAL GLAND - NBR	2
36	AL40-OS01-L1	FRONT OIL SEAL - NBR	2
37	AL40-BT01-SS	CAP SCREW FOR OIL SEAL GLAND	8
38	AL40-BT05-SS	CAP SCREW FOR GEAR BOX COVER	4
39	AL40-BT02-SS	CAP SCREW FOR GEAR BASE	4
40	AL40-BT04-SS	EYEBOLT	2





**Exploded View**

*Optional Items Shown in ITALICS*

Ref #	Component Item No.	Description	Qty Per
61	AL40-SB02-SS	CASE STUD - AL46	4
62	AL40-SP01-SS-02	SHIM - 0.002" THICKNESS - AL400 SERIES	2
	AL40-SP01-SS-04	SHIM - 0.004" THICKNESS - AL400 SERIES	2
	AL40-SP01-SS-08	SHIM - 0.008" THICKNESS - AL400 SERIES	2
63	AL40-PN04-SS	DOWEL FOR CASE	2
65	AL40-RC67-SS	ROTOR CASE - AL46	1
68	E70234	O-RING FOR ROTOR CASE - EPDM	2
	V70234	O-RING FOR ROTOR CASE - VITON	2
72	AL40-SE06-SS	SEAL/MECHANICAL SEAL RING - TC	4
	AL40-SE07-SS	SEAL/MECHANICAL SEAL RING - SC	4
74	AL40-RT17-SS-1	ROTOR BI-WING (TOP) - AL46	1
	AL40-RT17-SS-2	ROTOR BI-WING (SIDE) - AL46	1
76	E70151	O-RING FOR ROTOR - EPDM	2
	V70151	O-RING FOR ROTOR - VITON	2
77	AL40-RB01-SS	ROTOR BOLT	2
78	AL40-SW01-SS	SPRING WASHER FOR ROTOR BOLT	2
79	E70228	O-RING FOR ROTOR BOLT - EPDM	2
	V70228	O-RING FOR ROTOR BOLT - VITON	2
80	AL40-FC02-SS	FRONT COVER	1
81	AL40-HN01-SS	HEX NUT/STUD BOLT LOCK	4
82	E70278	O-RING FOR FRONT COVER - EPDM	1
	V70278	O-RING FOR FRONT COVER - VITON	1
	TE70278	O-RING FOR FRONT COVER - TEFLON ENCAP	1



**Single O-Ring Seal**

*Optional Items Shown in ITALICS*

Ref #	Component Item No.	Description	Qty Per
68	<b>E70234</b>	<b>O-RING FOR ROTOR CASE - EPDM</b>	<b>2</b>
	<i>V70234</i>	<i>O-RING FOR ROTOR CASE - VITON</i>	<i>2</i>
76	<b>E70151</b>	<b>O-RING FOR ROTOR - EPDM</b>	<b>2</b>
	<i>V70151</i>	<i>O-RING FOR ROTOR - VITON</i>	<i>2</i>
112	<i>AL40-SE08-SS-O</i>	<i>SLEEVE, STAINLESS STEEL</i>	<i>2</i>
	<i>AL40-SE08-C-O</i>	<i>SLEEVE, CERAMIC</i>	<i>2</i>



**Double O-Ring Seal**

*Optional Items Shown in ITALICS*

Ref #	Component Item No.	Description	Qty Per
68	<b>E70234</b>	<b>O-RING FOR ROTOR CASE - EPDM</b>	<b>2</b>
	<i>V70234</i>	<i>O-RING FOR ROTOR CASE - VITON</i>	<i>2</i>
76	<b>E70151</b>	<b>O-RING FOR ROTOR - EPDM</b>	<b>2</b>
	<i>V70151</i>	<i>O-RING FOR ROTOR - VITON</i>	<i>2</i>
92	<b>E70045</b>	<b>O-RING FOR DOUBLE SEAL CASE - EPDM</b>	<b>2</b>
	<i>V70045</i>	<i>O-RING FOR DOUBLE SEAL CASE - VITON</i>	<i>2</i>
102	<b>AL00-WS01-SS</b>	<b>DIN M6 FENDER WASHER</b>	<b>6</b>
103	<b>AL00-BT01-SS</b>	<b>CAP SCREW FOR SEAL RETAINER</b>	<b>6</b>
112	<i>AL40-SE08-SS-O</i>	<i>SLEEVE, STAINLESS STEEL</i>	<i>2</i>
	<i>AL40-SE08-C-O</i>	<i>SLEEVE, CERAMIC</i>	<i>2</i>



**Pressure Relief Cover**

*Optional Items Shown in ITALICS*

Ref #	Component Item No.	Description	Qty Per
120	GX5519190	BOLT, HEX HEAD	1
121	GX5519000	NUT, HEX HEAD	1
122	AL40-RH02-SS	RELIEF VALVE HOUSING	1
123	GX5512110	BOLT, HEX HEAD	8
124	GX5512010	LOCK WASHER	8
125	AL40-RP03-SS	ADJUSTMENT PIN, AL300/AL400	1
126	AL30-RS03-CS	SPRING, AL300/AL400	1
127	AL40-RV02-SS	VALVE HEAD, AL300/AL400	1
128	AL40-WR01-PF	WEAR RING, TEFLON, AL300/AL400	1
129	E70238	O-RING, EPDM	1
	<i>V70238</i>	<i>O-RING, VITON</i>	<i>1</i>
130	AL40-FC05-SS	FRONT COVER, VENTED	1
131	AL40-FR01-SS	FRONT COVER ASSEMBLY, VENTED	1



**Heating Jackets**

*Optional Items Shown in ITALICS*

Ref #	Component Item No.	Description	Qty Per
141	AL40-FC04-SS	FRONT COVER WITH JACKET	1
142	AL40-HJ01-SS	CASE HEATING JACKET FOR BODY TOP - AL44	1
	AL40-HJ02-SS	CASE HEATING JACKET FOR BODY BOTTOM - AL44	1
143	AL40-HJ03-SS	CASE HEATING JACKET FOR TUBE ASS'Y - AL400	1
144	AL00-HJ01-SS	ELBOW,HEATING JCKT - AL	2

**AMPCO PUMPS**  
**Made of SELECTED corrosion-resistant alloys**

**TERMS AND CONDITIONS OF SALE**

- 1. ENTIRE AGREEMENT.** This document contains all of the terms and conditions of the agreement (“the agreement”) between Ampco Pumps Company, Inc. (“Seller”) and the purchaser (“Purchaser”) of the Products (“Products”) to be sold to Purchaser, to the exclusion of any other statements and agreements, and to the exclusion of any terms and conditions incorporated in Purchaser’s order or other documents of Purchaser. Seller’s acceptance of Purchaser’s order is expressly conditioned on Purchaser’s acceptance of the terms and conditions contained herein, and Purchaser, upon placing an order, is presumed to have accepted all the terms and conditions without modification. No alteration, waiver, modification of or addition to the terms and conditions herein shall be binding on Seller unless set forth in writing and specifically agreed to by an officer of Seller. No course of dealing, usage of trade or course of performance will be relevant to supplement or explain any terms used in the agreement. All offers to purchase, quotations and contracts of sale are subject to final acceptance by Seller at its home office at Milwaukee, Wisconsin.
- 2. PRICES.** Prices for Products manufactured by Seller pursuant to written accepted orders will remain firm for thirty (30) days from the date of any subsequent price change.
- 3. TERMS OF PAYMENT.** Standard terms are ½% 10 days, 30 days net, from date of invoice unless otherwise stated. If, in the judgment of Seller, the financial condition of Purchaser at any time does not justify continuance of production or shipment on the terms of payment specified, Seller may require full or partial payment in advance. In cases of delays in payment, Seller reserves the right to charge interest on delinquent balances at the rate of 1 ½% per month.
- 4. DELIVERY.** Except as otherwise provided expressly stated in the agreement, Products are sold F.O.B. Milwaukee. Seller will use reasonable commercial efforts to fill orders within the time stated, but the stated delivery date is approximate only, and Seller reserves the right to readjust shipment schedules without liability. Acceptance by Purchaser of the Products waives any claim for loss or damage resulting from a delay, regardless of the cause of the delay. Except as otherwise provided herein, Seller will not be responsible for freight, transportation, insurance, shipping, storage, handling, demurrage or similar charges. Claims by Purchaser for shortages in the Products must be made to Seller in writing within ten (10) days after date of receipt of the Products. No such shortage shall entitle Purchaser to withhold payment for Products which were received by Purchaser. Each such claim shall set forth in detail the basis and amount of such claim.
- 5. TAXES AND FEES.** Seller shall pay all present and future sales, excise, privilege, use or other taxes, customs duties, and all other fees or other costs, imposed by any federal, state, foreign, or local authorities arising from the sale, purchase, transportation, delivery, storage, use or consumption of the Products or will, if applicable, provide Seller with an appropriate exemption certificate. Seller shall be under no obligation to contest the validity of any such taxes or to prosecute any claims for refunds or returns.
- 6. INSTALLATION.** The Products shall be installed by and at the expense of Purchaser.
- 7. LOSS, DAMAGE OR DELAY.** Seller will not be liable for loss, damage or delay resulting from causes beyond its reasonable control, including, without limitation, strikes or labor difficulties, lockouts, acts or omissions of any governmental authority or Seller, insurrection or riot, war, fires, floods, Acts of God, breakdown of essential machinery, accidents, embargoes, cargo or material shortages, delays in transportation, lack of production capacity or inability to obtain labor, materials or parts from usual sources. In the event of any such delay, performance will be postponed by such length of time as may be reasonably necessary to compensate for the delay. In the event performance by Seller under the agreement cannot be accomplished by Seller due to any of the foregoing causes within a reasonable period of time, Seller may, at its option, terminate the agreement without liability.
- 8. RETURNS.** No Products or parts may be returned by Purchaser without the prior written consent of Seller.
- 9. WARRANTY.** Seller warrants that the Products manufactured by Seller will be free from defects, material and workmanship under normal use and service for a period of one (1) year from date of shipment. In addition, the specified rating of each pump is warranted; however, the characteristic shape of the performance curves may vary from the published standards, and the capacity, head and efficiency guarantees are based on actual shop tests using clear cold water, and therefore the rating is specified in equivalent units of clear cold water. The sole obligation of Seller and the exclusive remedy of Purchaser for breach of this warranty shall be the repair (at Seller’s facility) or replacement by Seller (F.O.B. Milwaukee, Wisconsin), at Seller’s option, of any parts found to be defective, without charge and shall be conditioned upon Seller receiving written notice of any alleged breach of this warranty within a reasonable time after discovery of the defects, but in no event later than the end of the warranty period. The parts alleged to be defective shall be returned to Seller upon its request, freight prepaid. This warranty does not cover ordinary wear and tear, abuse, misuse, overloading, alteration or Products or parts which have not been installed, operated or maintained in accordance with Seller’s written instructions. Seller shall not be liable for any expenses for repairs, additions or modifications to the Products outside of Seller’s factory without its prior written consent, and any such repairs without such consent shall void this warranty. THIS WARRANTY IS EXCLUSIVE AND IS IN LIEU OF ALL OTHER EXPRESS AND IMPLIED WARRANTIES WHATSOEVER, INCLUDING BUT NOT LIMITED TO IMPLIED WARRANTIES OF MERCHANTABILITY AND FITNESS FOR A PARTICULAR PURPOSE. Seller may from time to time provide its facilities, personnel and experience to assist customers in the selection of materials, design, installation and operation of Products for maximum resistance to corrosion and abrasion with due consideration to the economy of the installation. This service is provided in an advisory capacity only and the final selection and operation of the Products and ancillary equipment shall be the sole responsibility of Purchaser or any user thereof. Accessories and parts manufactured by third parties are warranted only to the extent of such third party’s warranty. IN NO EVENT SHALL SELLER BE LIABLE UNDER ANY CIRCUMSTANCES FOR ANY INCIDENTAL, CONSEQUENTIAL OR SPECIAL DAMAGES (INCLUDING, WITHOUT LIMITATION, ANY LOST PROFITS OR LABOR COSTS) ARISING FROM THE BREACH OF THIS WARRANTY OR OTHERWISE ARISING FROM OR RELATING TO THE PRODUCTS OR THEIR SALE, USE OR INSTALLATION.
- 10. CHANGES.** Changes in any work to be performed hereunder may be made only upon Purchaser’s written instructions and acceptance by Seller in its discretion. Any change in drawings, materials or design of the Products, or to tools, fixtures or other items used to produce the Products, which affects Seller’s cost to produce the Products will entitle Seller to adjust the price to take into account any additional costs. If work has been started, Seller shall be properly reimbursed for work already performed; if Products already produced are not accepted by Purchaser, Seller has the right to adjust the price to take into account any additional costs caused by an increase or decrease in quantities or in the time required for performance under the agreement.
- 11. TERMINATION.** After Seller has commenced work, ordered any materials or made any other commitments pursuant to the agreement, it may be terminated only with the prior written agreement of Seller providing for equitable cancellation charges. Such charges shall reimburse Seller for any completed items at the contract price, and for any work-in-process items at the contract price less the cost to complete. Termination on any other basis must be specifically agreed on in writing in advance between Purchaser and Seller.
- 12. DEFERRED DELIVERIES.** Orders or deliveries will be deferred only upon the prior written agreement of Seller in its discretion, and then only upon the following conditions:

(a) The deferral period may not exceed sixty (60) days. At the end of the deferral period, if no release is provided by Purchaser, Seller reserves the right to render an invoice for and ship the completed portion of the order to the destination specified in Purchaser's order, or to store such material at Purchaser's expense at Seller's standard storage charges then in effect.

(b) For the portion of the order that is not completed, if no release is provided by Purchaser at the expiration of the deferral period, Seller reserves the right to render an invoice for any completed items at the contract price, and for any work-in-process items at the contract price less the cost to complete.

(c) Purchaser shall bear the risk of loss or damage to materials held at Purchaser's request.

**13. LIMITATION OF LIABILITY.** IN NO EVENT SHALL SELLER BE LIABLE UNDER ANY CIRCUMSTANCES: (a) FOR ANY INCIDENTAL, CONSEQUENTIAL OR SPECIAL DAMAGES (INCLUDING, WITHOUT LIMITATION, ANY LOST PROFITS OR LABOR COSTS) ARISING FROM OR RELATING TO THE PRODUCTS OR THEIR SALE, USE OR INSTALLATION; (b) FOR DAMAGES TO PROPERTY (OTHER THAN THE PRODUCTS PURCHASED FROM SELLER); (c) FROM ANY BREACH OF ITS WARRANTY OR ANY OTHER OBLIGATIONS TO BUYER; OR (d) FOR ANY OTHER CAUSE WHATSOEVER, WHETHER BASED ON WARRANTY (EXPRESSED OR IMPLIED) OR OTHERWISE BASED ON CONTRACT, OR ON TORT OR OTHER THEORY OF LIABILITY, AND REGARDLESS OF ANY ADVICE OR REPRESENTATIONS (WHETHER OR NOT IN WRITING) THAT MAY HAVE BEEN RENDERED BY SELLER CONCERNING THE DESIGN, MANUFACTURE, SALE, USE OR INSTALLATION OF THE PRODUCTS.

**14. INFRINGEMENT.** Seller at its expense will defend and hold Purchaser harmless from and against all damages, costs and expenses arising from any valid claim of infringement by a third party with respect to any patent or other intellectual property rights (collectively, the "Intellectual Property Rights") caused by Products originally manufactured by Seller, provided Purchaser (a) has not modified such Products, (b) gives Seller immediate notice in writing of any claim or commencement or threat of suit, and (c) permits Seller to defend or settle the same, and gives all immediate information, assistance and authority to enable Seller to do so. In the event any such originally manufactured Products are held to infringe an Intellectual Property Right and if Purchaser's use thereof is enjoined, Seller will, at its expense and option: (1) obtain for Purchaser the right to continue using the Products, (2) supply non-infringing Products, (3) modify the Products so that they become non-infringing, or (4) refund the then market value of such Products. In no event shall Seller's liability exceed the sale price of the infringing Products. THE FOREGOING REPRESENTS SELLER'S ENTIRE AND EXCLUSIVE OBLIGATION WITH RESPECT TO ANY CHARGE OF INFRINGEMENT OF ANY INTELLECTUAL PROPERTY RIGHT AND IS IN LIEU OF ANY STATUTORY WARRANTY RELATING TO INFRINGEMENT. Notwithstanding the foregoing, Seller shall have no liability as to any Products or parts thereof that are manufactured or modified by Purchaser or a third party, or that are manufactured or modified by Seller in accordance with Purchaser's specifications. Purchaser will defend and hold Seller harmless from and against all damages, costs and expenses whatsoever arising from any claim for infringement of any Intellectual Property Rights relating to Products that have been manufactured or modified by Seller according to specifications provided by Purchaser.

**15. CERTAIN LAWS.** Seller will comply with the applicable requirements of the Fair Labor Standards Act of 1938, as amended, Executive Order 11246, and THE rules, regulations and orders of the Secretary of Labor relating thereto.

**16. PERIOD FOR ACCEPTING QUOTATIONS.** Unless accepted without modification within thirty (30) days of issuance, or prior to withdrawal by Seller if earlier, all quotations automatically expire at the end of such thirty (30) day period.

**17. PROVISIONS FOR INTERNATIONAL TRANSACTIONS.** The following provisions shall apply if the Products are to be shipped to Purchaser at a location outside the United States, and apply regardless of other provisions set forth in these Terms and Conditions:

(a) The 1980 United Nations Convention on Contracts for the International Sale of Products shall not apply.

(b) Except as otherwise provided expressly stated in the agreement, terms of delivery are Ex-Works (within the meaning of INCOTERMS 2000) and all customs fees, import duties, cargo insurance, taxes and other charges imposed on or relating to the purchase or sale of the Products shall be paid by Purchaser in addition to the stated price.

(c) Except as otherwise provided expressly stated elsewhere in the agreement, payment shall be made by issuance to Seller of an irrevocable letter of credit which (i) is issued and confirmed by a U.S. bank acceptable to Seller, (ii) is governed by the Uniform Customs and Practice for Documentary Credits (UCP 600) and otherwise acceptable in form and substance to Seller, and (iii) provides for payment to Seller of the purchase price in U.S. dollars upon presentation by Seller of Seller's certification and/or such other documents as shall be required by the letter of credit. All banking and other charges for such letter of credit shall be for the account of Purchaser.

(d) Prices include Seller's standard commercial export packaging which may vary depending on whether shipment is made by air, land or sea. Except as otherwise provided expressly stated in the agreement, Purchaser will bear any additional expenses required to satisfy Purchaser's packaging requirements. Packages will be marked in accordance with Purchaser's instructions, if any. Seller shall furnish packing lists and such other information as may be necessary to enable Purchaser's agent to prepare documents required for export shipment.

(e) All shipments hereunder are subject to compliance with the U.S. Export Administration Act, as amended, regulations thereunder and all other U.S. laws and regulations concerning exports. Purchaser shall comply with all such laws and regulations concerning the use, disposition, re-export and sale of the Products provided hereunder.

**18. GENERAL.** No modification or waiver of the agreement or any of its provisions is valid unless expressly agreed to by Seller in writing, and no waiver by Seller of any default under the agreement is a waiver of any other or subsequent default. The unenforceability or invalidity of one or more of the provisions of the agreement will not affect the enforceability or validity of any other provision of the agreement. Purchaser may not assign any of its rights, duties or obligations under the agreement without Seller's prior written consent and any attempted assignment without such consent, even if by operation of law, will be void. The agreement is governed by and shall be construed in accordance with the laws of the State of Wisconsin, including the Uniform Commercial Code as enacted by such state, without giving effect to its conflict of laws principles.

Ampco Pumps Company, Inc.  
2045 W. Mill Road  
Glendale, WI 53209  
(414) 643-1852  
(414) 643-4452 fax

# Ampco Pumps Company

## Return Policy

This policy is intended for returns that are not covered by product warranty, i.e. wrong pump or part was ordered, customer canceled order, etc. Before returning any product, contact us for a Returned Material Authorization Number (RMA#). This will eliminate confusion when the parts are received and facilitate processing the return. No action will be taken on returned parts without an RMA.

<u>Type of Return</u>	<u>Restocking Charge</u>
Standard pump with a replacement order	10%
Standard pump without a replacement order	15%
Standard parts with a replacement order	5%
Standard parts without a replacement order	10%

Additional restocking charges may be assessed for any of the following circumstances.

1. Special order motors and seals are not returnable unless we have a use for them. Credit will be determined on a case-by-case basis.
2. Impellers that are trimmed to a diameter that we don't regularly use are not returnable. Credit will be determined on a case-by-case basis.
3. Used seals and motors are not returnable.

### Credits

Credit will be issued only after parts are returned and inspected. Customer is responsible for packaging parts so they are returned in "as new" condition. Any labor required by Ampco to return the parts to "as new" condition will be deducted from the credit.