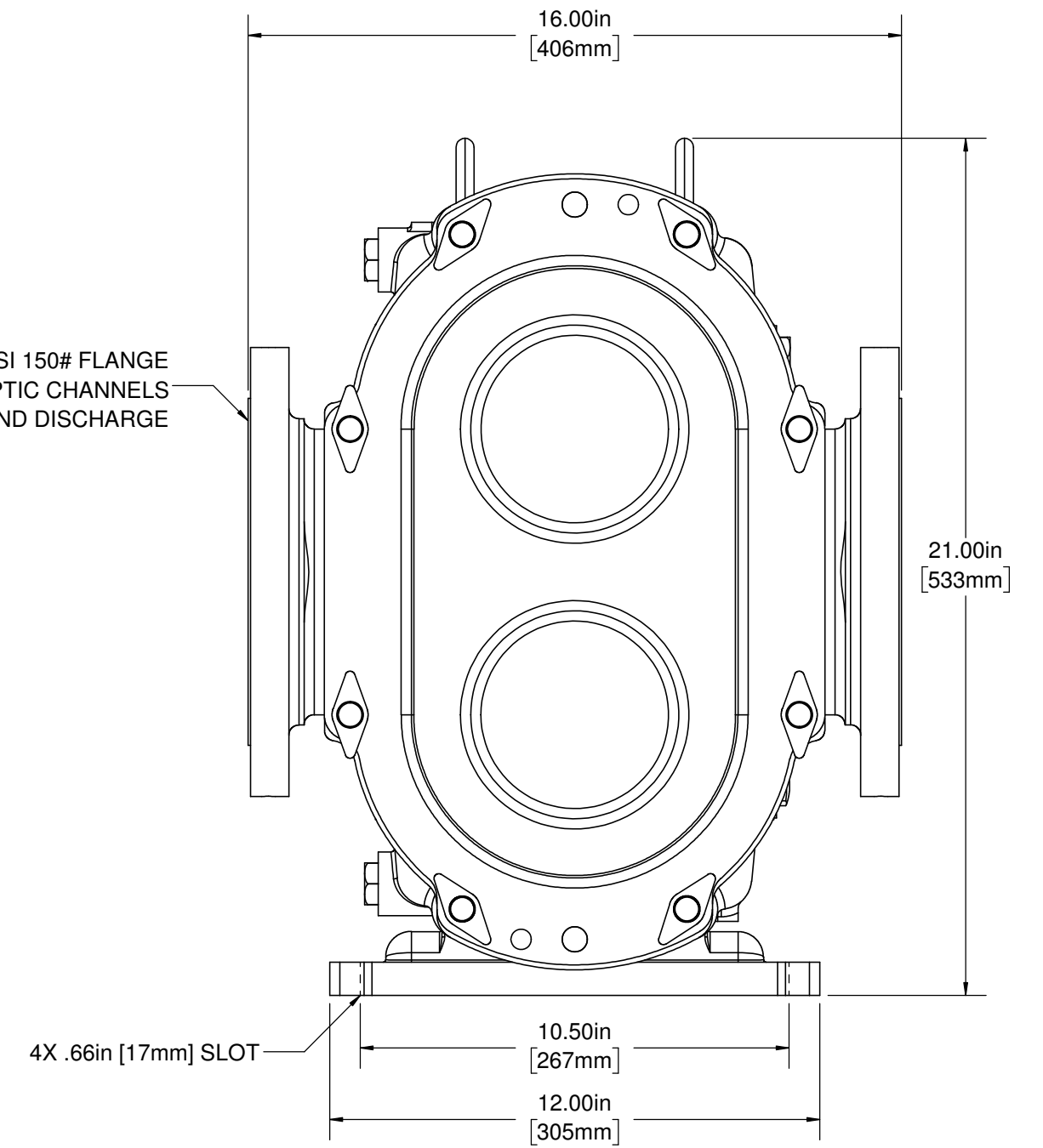


6" ANSI 150# FLANGE
WITH ASEPTIC CHANNELS
SUCTION AND DISCHARGE



NOTES:
CUSTOMER DRAWING, FOR REFERENCE ONLY

REV.	DATE	DESCRIPTION	RES BY
A	8/8/2017	INITIAL RELEASE	
REVISIONS			

Ampco Pumps Company

2045 West Mill Road Glendale, WI 53209

CUSTOMER DRAWING

DRAWN BY: R. SHOOK	DATE: 8/8/2017
DESCRIPTION: ZP1-323 GENERAL PUMP ASSEMBLY DRAWING	
DWG #: ZP1-323	SCALE: 1:4
REVISION: A	