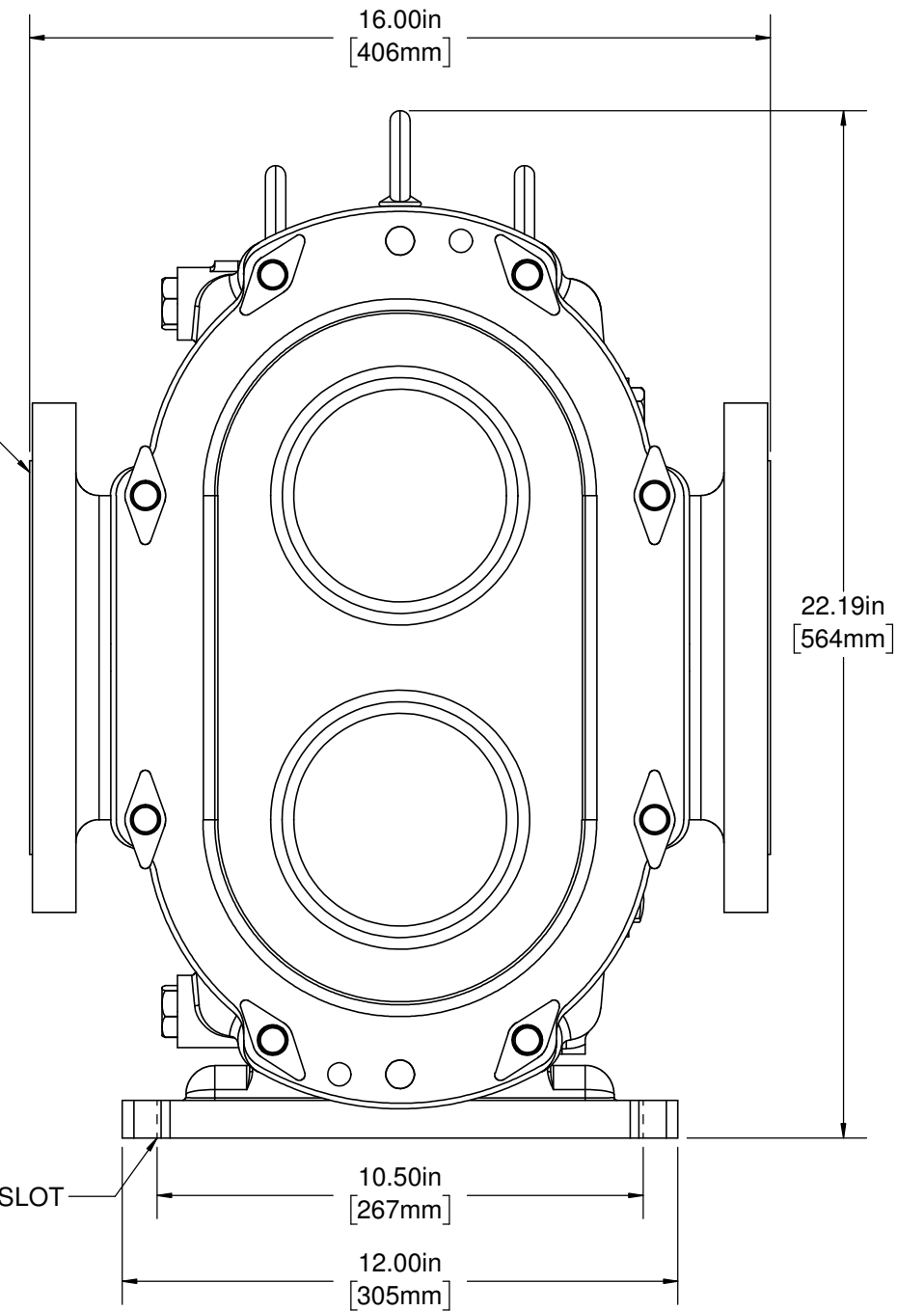


6" ANSI 150# FLANGE
SUCTION AND DISCHARGE

4X .66in [17mm] SLOT



NOTES:
CUSTOMER DRAWING, FOR REFERENCE ONLY

| REV. | DATE | DESCRIPTION | RES BY |
|------|----------|-----------------|--------|
| A | 8/8/2017 | INITIAL RELEASE | |
| | | REVISIONS | |

Ampco Pumps Company

2045 West Mill Road Glendale, WI 53209

CUSTOMER DRAWING

DRAWN BY: R. SHOOK
DATE: 8/8/2017
DESCRIPTION: XP-380 GENERAL PUMP ASSEMBLY DRAWING

DWG #: XP-380

SCALE: 1:4
REVISION: A