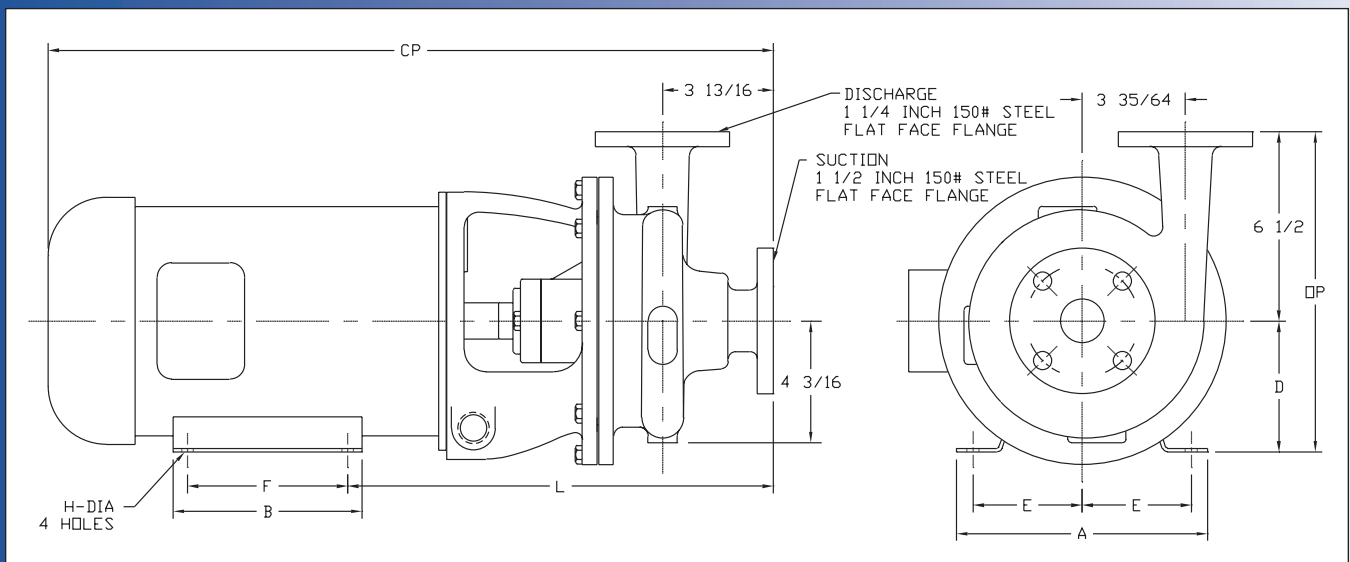
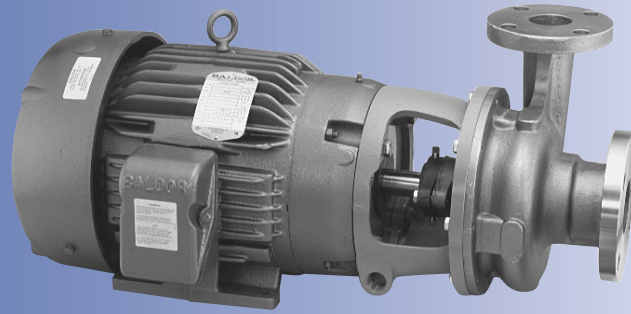


Ampco Centrifugal Pumps

DATA SHEET

MODEL EC 1 1/2 X 1 1/4
NICKEL ALUMINUM BRONZE

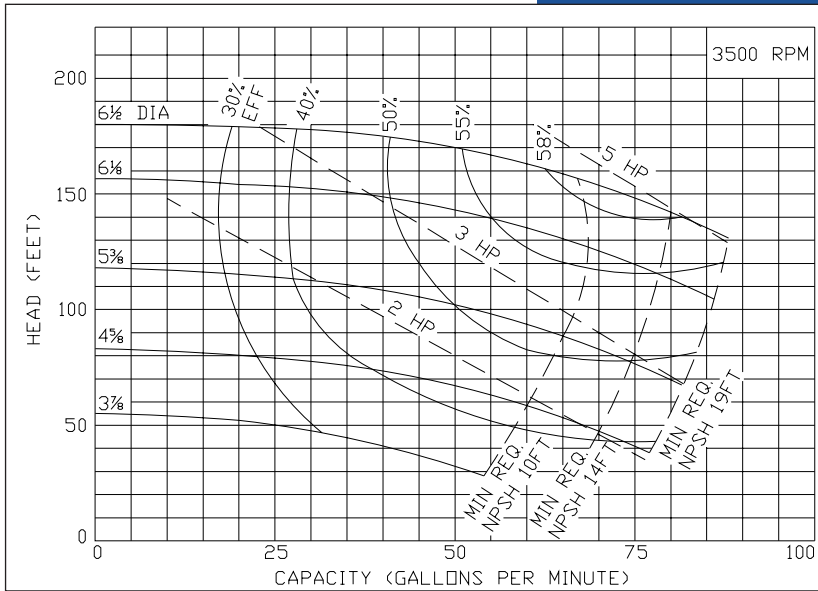


TEFC MOTOR			DIMENSIONS IN INCHES (For Reference Only)									APPROX. WEIGHT (LBS)
HP	RPM	FRAME	A (typ)	B (typ)	D	E	F	H	L	CP	OP	
3	1750	182TCZ	8-5/8	6-1/2	4-1/2	3-3/4	4-1/2	13/32	14-5/8	24-15/16	11	156
3	3500	182TCZ	8-5/8	6-1/2	4-1/2	3-3/4	4-1/2	13/32	14-5/8	24-15/16	11	156
5	3500	184TCZ	8-5/8	6-1/2	4-1/2	3-3/4	5-1/2	13/32	14-5/8	24-15/16	11	169
7-1/2	3500	213TCZ	9-1/2	8	5-1/4	4-1/4	5-1/2	13/32	15-1/4	26-9/16	11-3/4	237

MATERIAL SPECIFICATIONS

PART NAME	NICKEL ALUMINUM BRONZE
Casing, Cover & Impeller	AMPCO® 483
Wear Ring	AMPCO® 18
Motor Shaft	Steel
Shaft Sleeve	AMPCO® 18
Adapter	Cast Iron





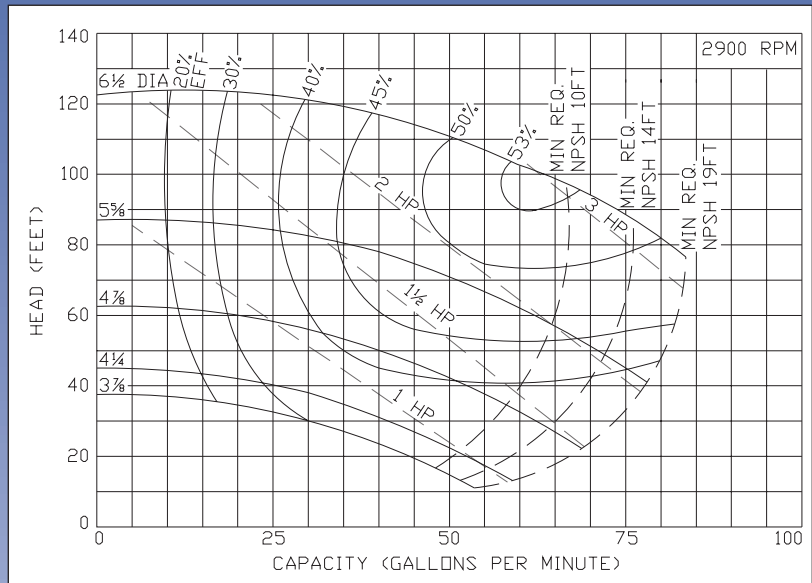
Ampco Centrifugal Pumps

**MODEL EC 1 1/2 X 1 1/4
NICKEL ALUMINUM BRONZE**

Curves show approximate characteristics based on clear 68° water. Rated point is guaranteed.

E Series pumps provide the same heavy-duty construction and hydraulic performance as Ampco's Z Series.

An enlarged stuffing box offers multiple sealing arrangements, including Type 21, Type 1, Type 9, Double Type 21, Double Type 9, packing and cartridge seals.



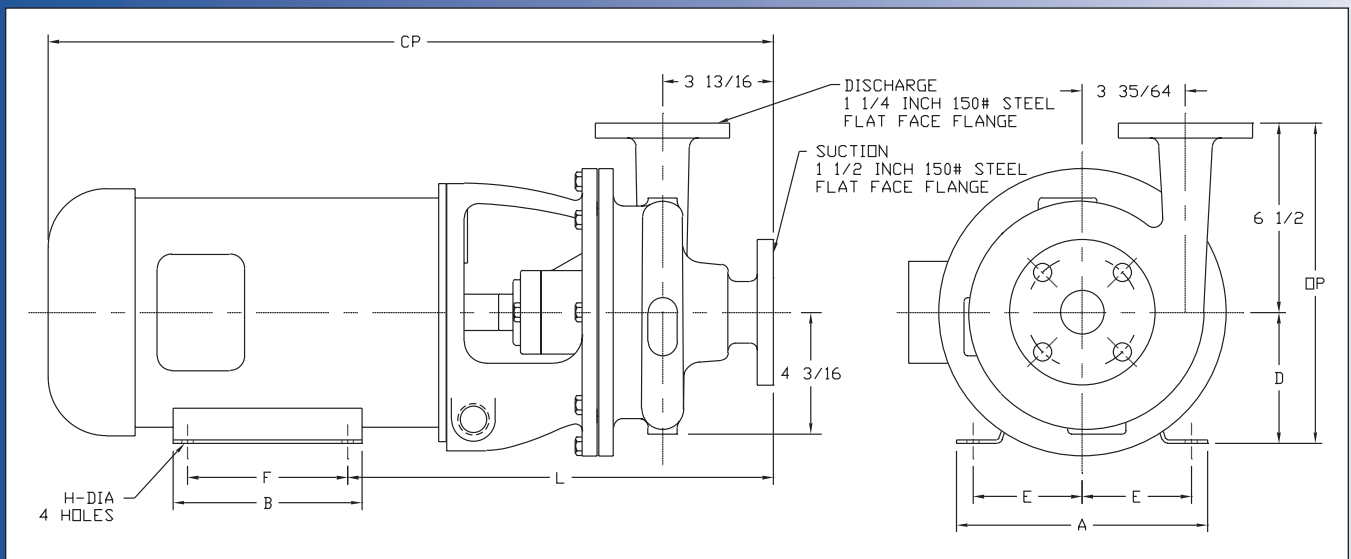
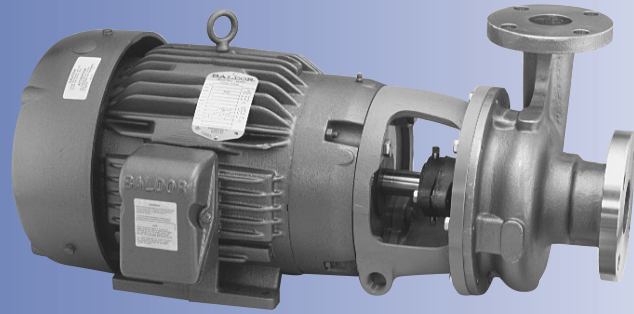
Ampco Pumps Company

4424 West Mitchell Street
Milwaukee, Wisconsin 53214
PHONE (414) 643-1852
FAX (414) 643-4452

Ampco Centrifugal Pumps

DATA SHEET

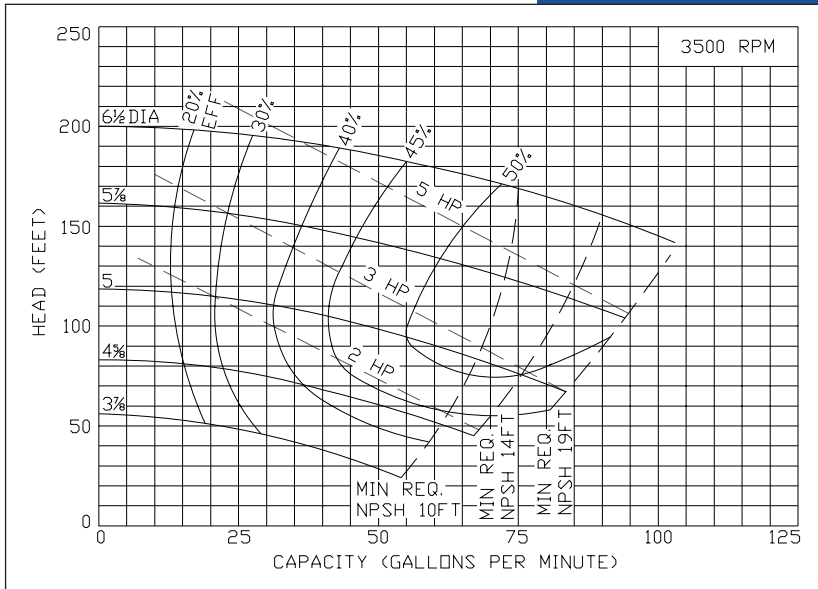
MODEL EC 1 1/2 X 1 1/4
STAINLESS STEEL



TEFC MOTOR			DIMENSIONS IN INCHES (For Reference Only)									APPROX. WEIGHT (LBS)
HP	RPM	FRAME	A (typ)	B (typ)	D	E	F	H	L	CP	OP	
3	1750	182TCZ	8-5/8	6-1/2	4-1/2	3-3/4	4-1/2	13/32	14-5/8	24-15/16	11	156
3	3500	182TCZ	8-5/8	6-1/2	4-1/2	3-3/4	4-1/2	13/32	14-5/8	24-15/16	11	156
5	3500	184TCZ	8-5/8	6-1/2	4-1/2	3-3/4	5-1/2	13/32	14-5/8	24-15/16	11	169
7-1/2	3500	213TCZ	9-1/2	8	5-1/4	4-1/4	5-1/2	13/32	15-1/4	26-9/16	11-3/4	237

MATERIAL SPECIFICATIONS

PART NAME	STAINLESS STEEL
Casing, Cover & Impeller	316 Stainless
Wear Ring	316 Stainless
Motor Shaft	Steel
Shaft Sleeve	316 Stainless
Adapter	Cast Iron



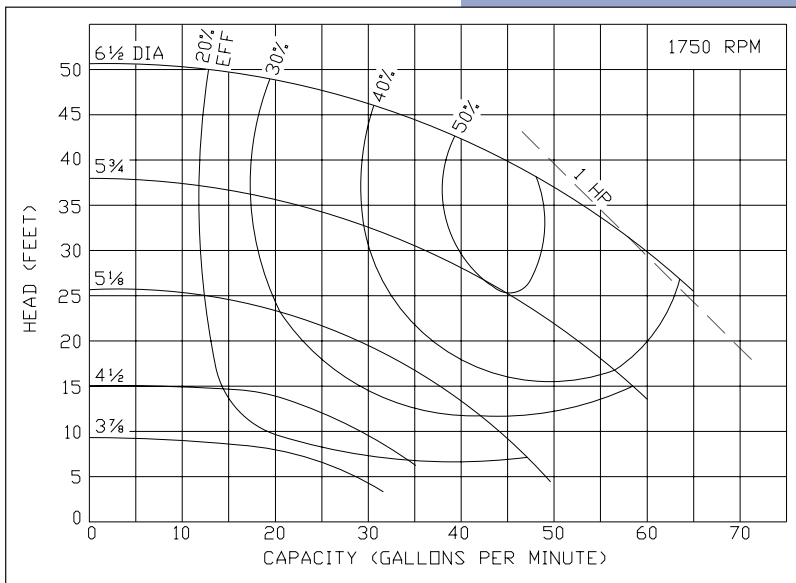
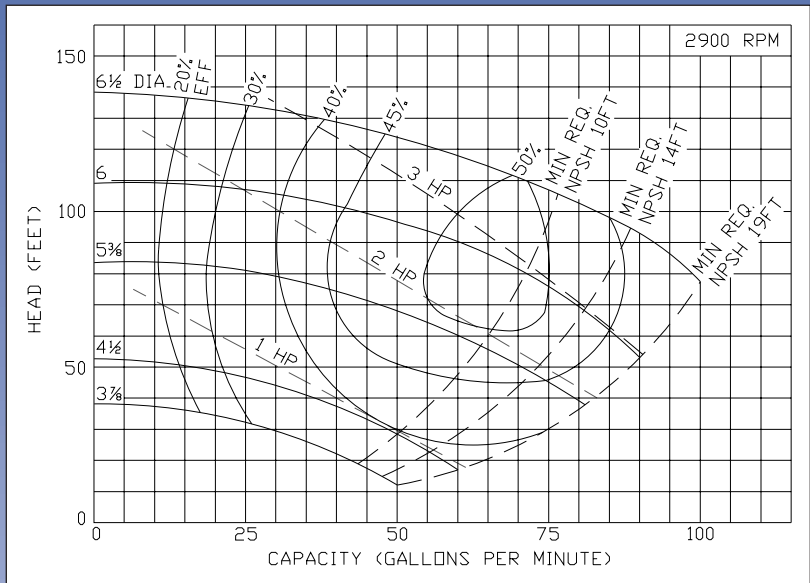
Ampco Centrifugal Pumps

**MODEL EC 1 1/2 X 1 1/4
STAINLESS STEEL**

Curves show approximate characteristics based on clear 68° water. Rated point is guaranteed.

E Series pumps provide the same heavy-duty construction and hydraulic performance as Ampco's Z Series.

An enlarged stuffing box offers multiple sealing arrangements, including Type 21, Type 1, Type 9, Double Type 21, Double Type 9, packing and cartridge seals.



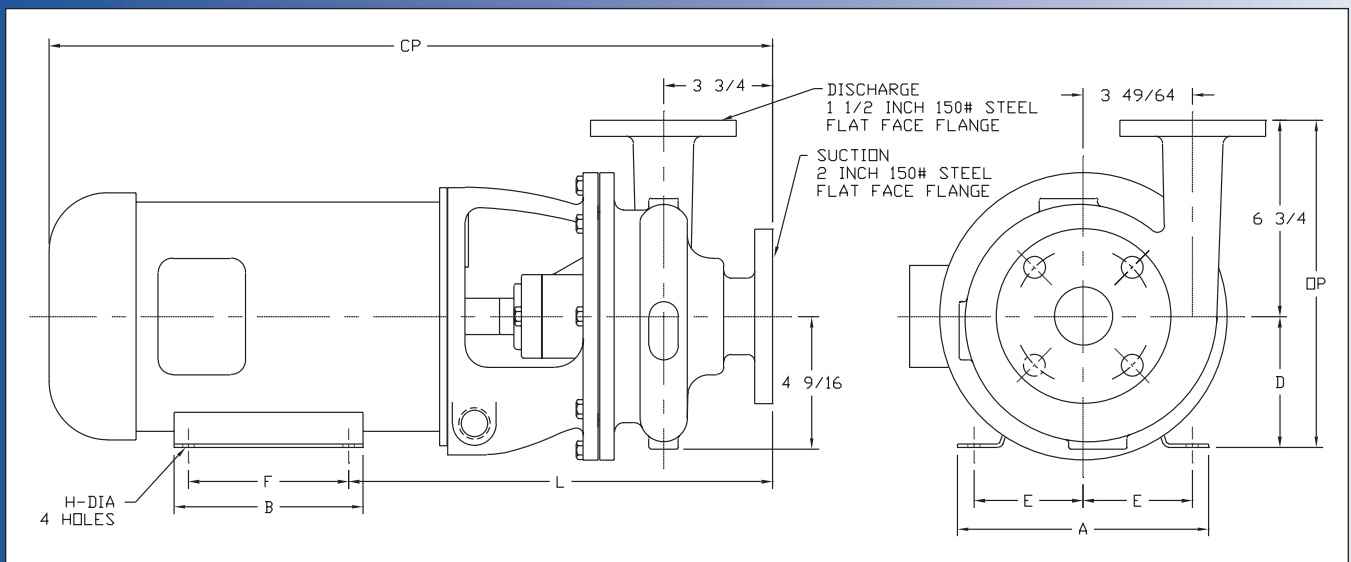
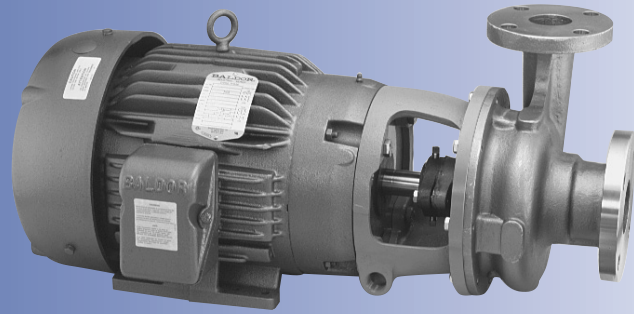
Ampco Pumps Company

4424 West Mitchell Street
Milwaukee, Wisconsin 53214
PHONE (414) 643-1852
FAX (414) 643-4452

Ampco Centrifugal Pumps

DATA SHEET

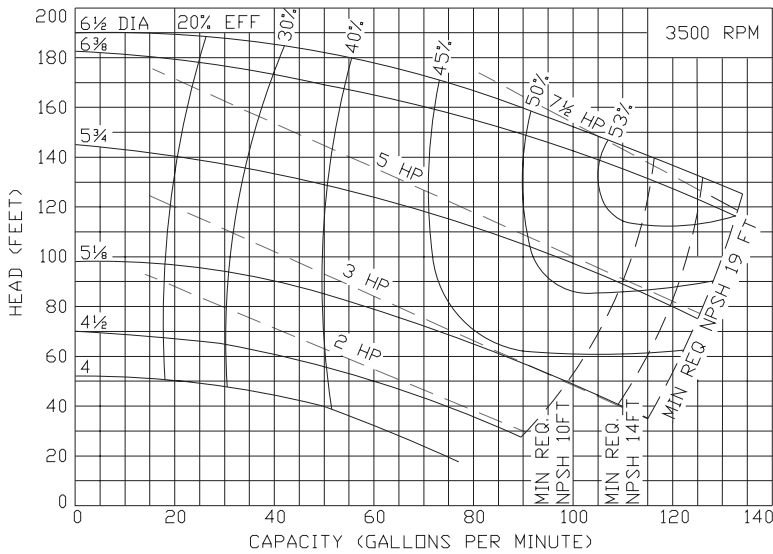
MODEL EC 2 X 1 1/2



TEFC MOTOR			DIMENSIONS IN INCHES (For Reference Only)									APPROX. WEIGHT (LBS)
HP	RPM	FRAME	A (typ)	B (typ)	D	E	F	H	L	CP	OP	
3	1750	182TCZ	8-5/8	8-5/8	4-1/2	3-3/4	4-1/2	13/32	14-9/16	24-7/8	11-1/4	164
3	3500	182TCZ	8-5/8	8-5/8	4-1/2	3-3/4	4-1/2	13/32	14-9/16	24-7/8	11-1/4	159
5	3500	184TCZ	8-5/8	8-5/8	4-1/2	3-3/4	5-1/2	13/32	14-9/16	24-7/8	11-1/4	172
7-1/2	3500	213TCZ	9-1/2	9-1/2	5-1/4	4-1/4	5-1/2	13/32	15-3/16	26-1/2	12	240
10	3500	215TCZ	9-1/2	9-1/2	5-1/4	4-1/4	7	13/32	15-3/16	26-1/2	12	262

MATERIAL SPECIFICATIONS

PART NAME	NICKEL ALUMINUM BRONZE	STAINLESS STEEL
Casing, Cover & Impeller	AMPCO® 483	316 Stainless
Wear Ring	AMPCO® 18	316 Stainless
Motor Shaft	Steel	Steel
Shaft Sleeve	AMPCO® 18	316 Stainless
Adapter	Cast Iron	Cast Iron



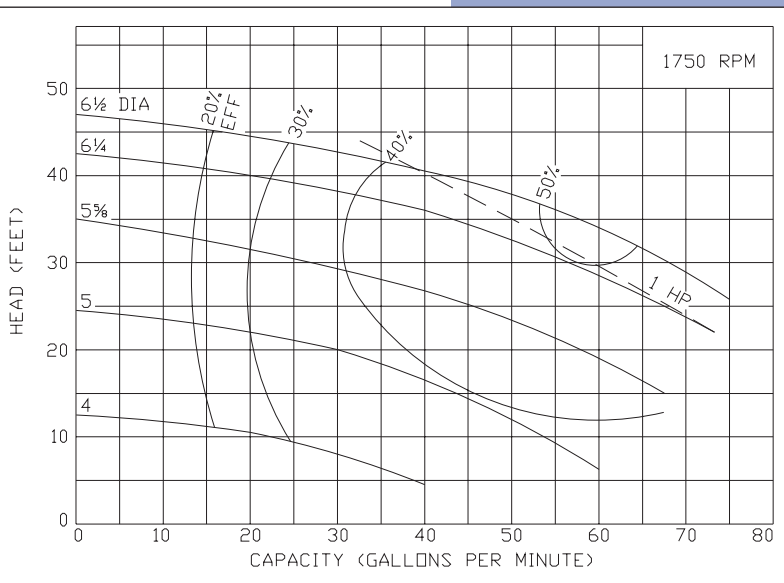
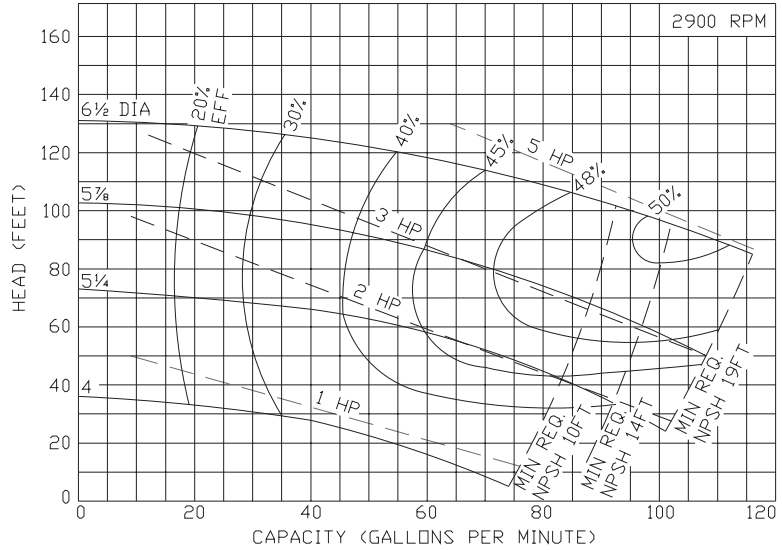
Ampco Centrifugal Pumps

MODEL EC 2 X 1 1/2

Curves show approximate characteristics based on clear 68° water. Rated point is guaranteed.

E Series pumps provide the same heavy-duty construction and hydraulic performance as Ampco's Z Series.

An enlarged stuffing box offers multiple sealing arrangements, including Type 21, Type 1, Type 9, Double Type 21, Double Type 9, packing and cartridge seals.



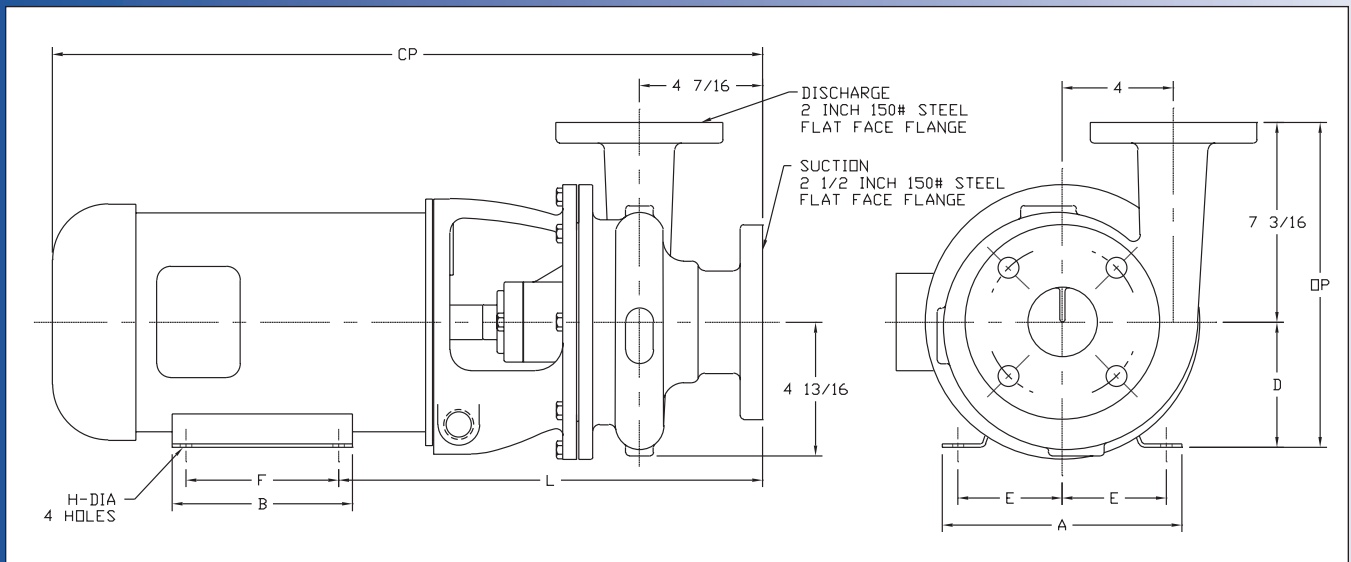
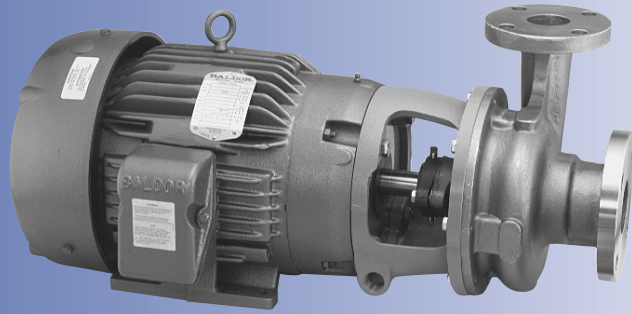
Ampco Pumps Company

4424 West Mitchell Street
 Milwaukee, Wisconsin 53214
 PHONE (414) 643-1852
 FAX (414) 643-4452

Ampco Centrifugal Pumps

DATA SHEET

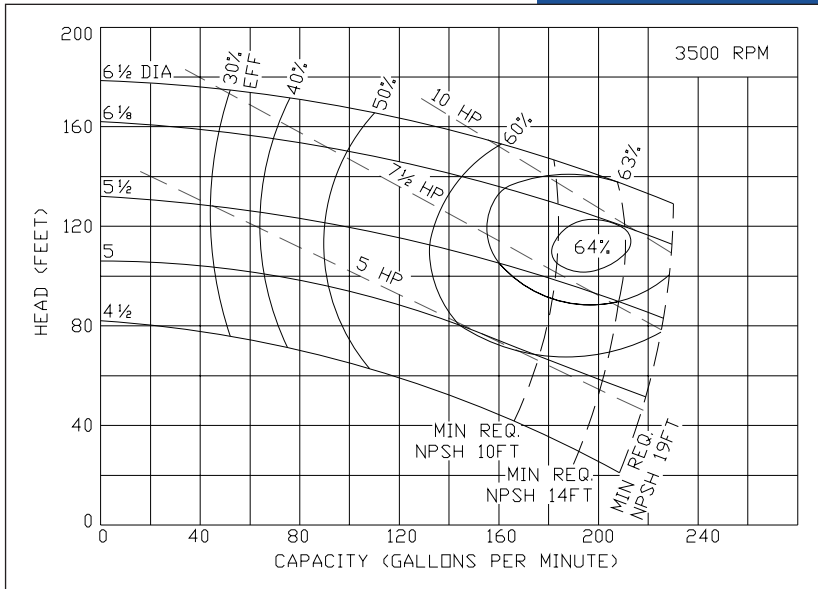
MODEL EC 2 1/2 X 2



TEFC MOTOR			DIMENSIONS IN INCHES (For Reference Only)									APPROX. WEIGHT (LBS)
HP	RPM	FRAME	A (typ)	B (typ)	D	E	F	H	L	CP	OP	
3	1750	182TCZ	8-5/8	6-1/2	4-1/2	3-3/4	4-1/2	13/32	14-9/16	24-5/8	11-11/16	166
5	3500	184TCZ	8-5/8	6-1/2	4-1/2	3-3/4	5-1/2	13/32	14-9/16	24-5/8	11-11/16	179
7-1/2	3500	213TCZ	9-1/2	8	5-1/4	4-1/4	5-1/2	13/32	15-3/16	26-1/2	12-7/16	246
10	3500	215TCZ	9-1/2	8	5-1/4	4-1/4	7	13/32	15-3/16	26-1/2	12-7/16	265
15	3500	215TCZ	9-1/8	8	5-1/4	4-1/4	7	13/32	15-3/16	27-5/8	12-7/16	362

MATERIAL SPECIFICATIONS

PART NAME	NICKEL ALUMINUM BRONZE	STAINLESS STEEL
Casing, Cover & Impeller	AMPCO® 483	316 Stainless
Wear Ring	AMPCO® 18	316 Stainless
Motor Shaft	Steel	Steel
Shaft Sleeve	AMPCO® 18	316 Stainless
Adapter	Cast Iron	Cast Iron



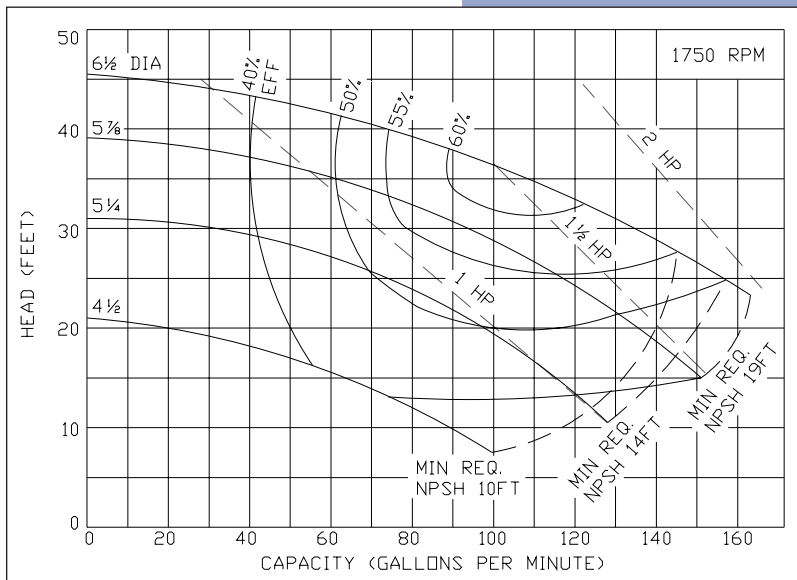
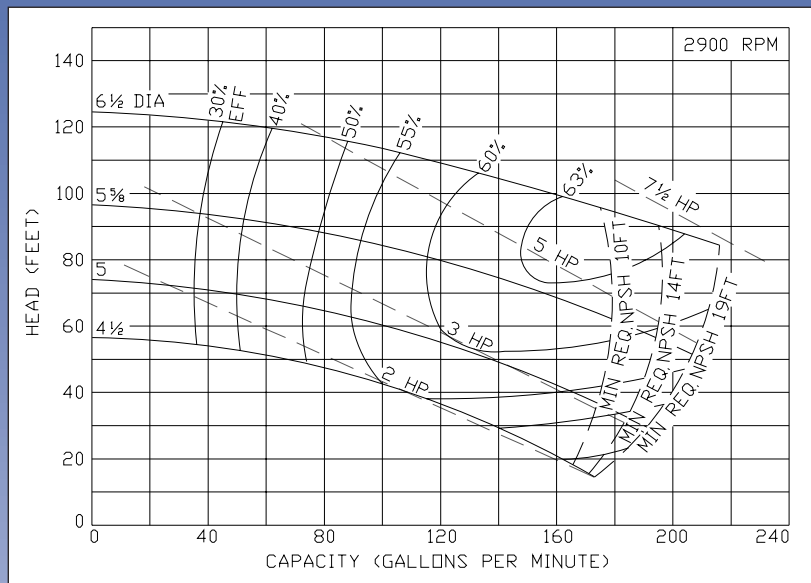
Ampco Centrifugal Pumps

MODEL EC 2 1/2 X 2

Curves show approximate characteristics based on clear 68° water. Rated point is guaranteed.

E Series pumps provide the same heavy-duty construction and hydraulic performance as Ampco's Z Series.

An enlarged stuffing box offers multiple sealing arrangements, including Type 21, Type 1, Type 9, Double Type 21, Double Type 9, packing and cartridge seals.



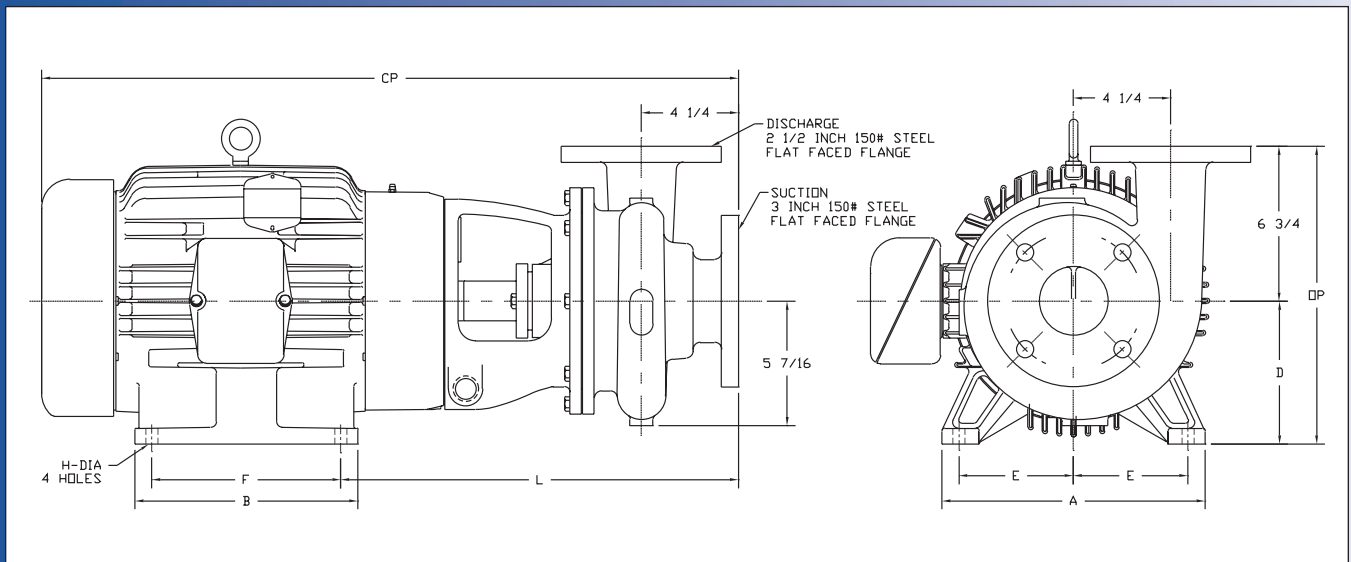
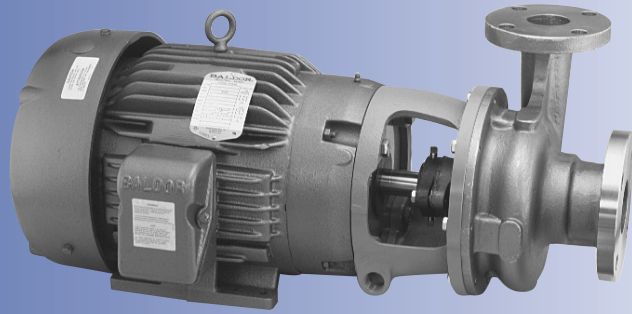
Ampco Pumps Company

4424 West Mitchell Street
 Milwaukee, Wisconsin 53214
 PHONE (414) 643-1852
 FAX (414) 643-4452

Ampco Centrifugal Pumps

DATA SHEET

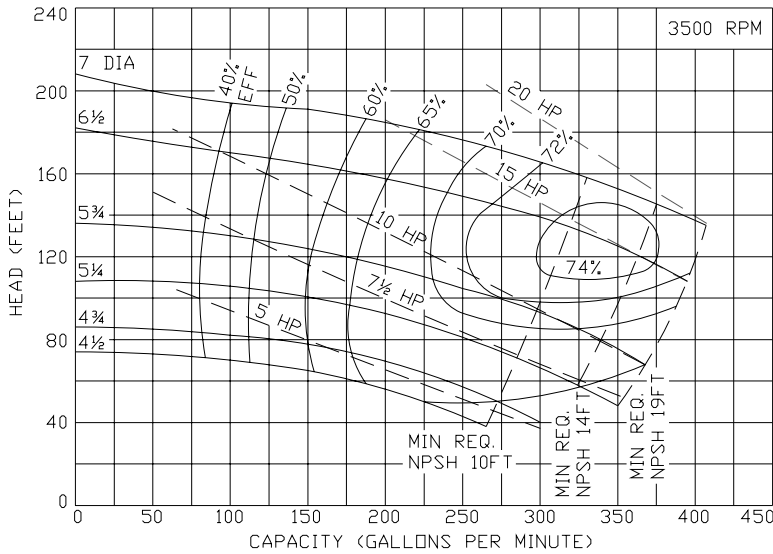
MODEL EC/ECH 3X2¹/₂



TEFC MOTOR			DIMENSIONS IN INCHES (For Reference Only)										APPROX. WEIGHT (LBS)
HP	RPM	FRAME	A (typ)	B (typ)	D	E	F	H	L	CP	OP		
3	1750	182TCZ	8-5/8	6-1/2	4-1/2	3-3/4	4-1/2	13/32	15-7/16	25-3/4	11-1/4	216	
5	3500	184TCZ	8-5/8	6-1/2	4-1/2	3-3/4	5-1/2	13/32	15-7/16	25-3/4	11-1/4	224	
7-1/2	3500	213JP	9-1/2	8	5-1/4	4-1/4	5-1/2	13/32	17-1/8	28-3/16	12	258	
10	3500	215JP	9-1/2	8	5-1/4	4-1/4	7	13/32	17-1/8	28-3/16	12	276	
15	3500	254JP	11-1/2	9-3/4	6-1/4	5	8-1/4	17/32	17-3/8	30-15/16	13	378	
20	3500	256JP	11-1/2	11-1/2	6-1/4	5	10	17/32	17-3/8	32-1/4	13	416	
25	3500	284JP	12-3/4	12-3/4	7	5-1/2	9-1/2	17/32	17-3/8	35-13/16	13-3/4	516	

MATERIAL SPECIFICATIONS

PART NAME	NICKEL ALUMINUM BRONZE	STAINLESS STEEL
Casing, Cover & Impeller	AMPCO® 483	316 Stainless
Wear Ring	AMPCO® 18	316 Stainless
Motor Shaft	Steel	Steel
Shaft Sleeve	AMPCO® 18	316 Stainless
Adapter	Cast Iron	Cast Iron



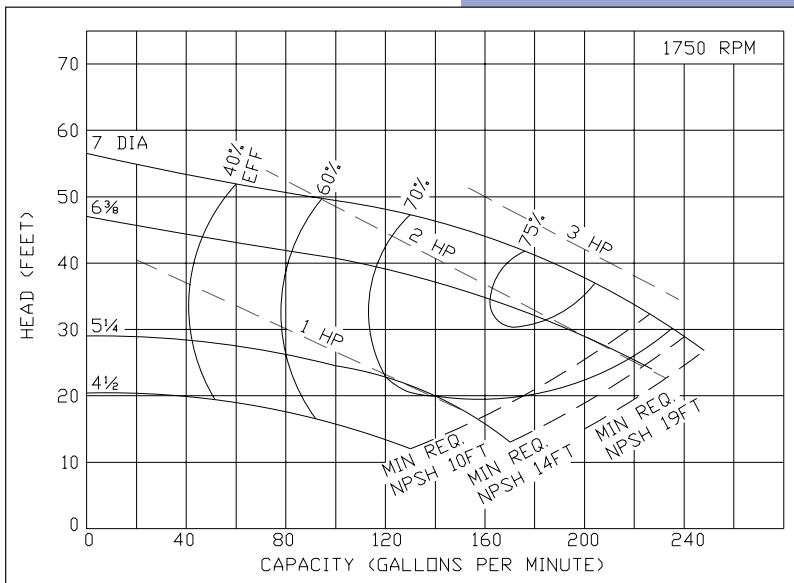
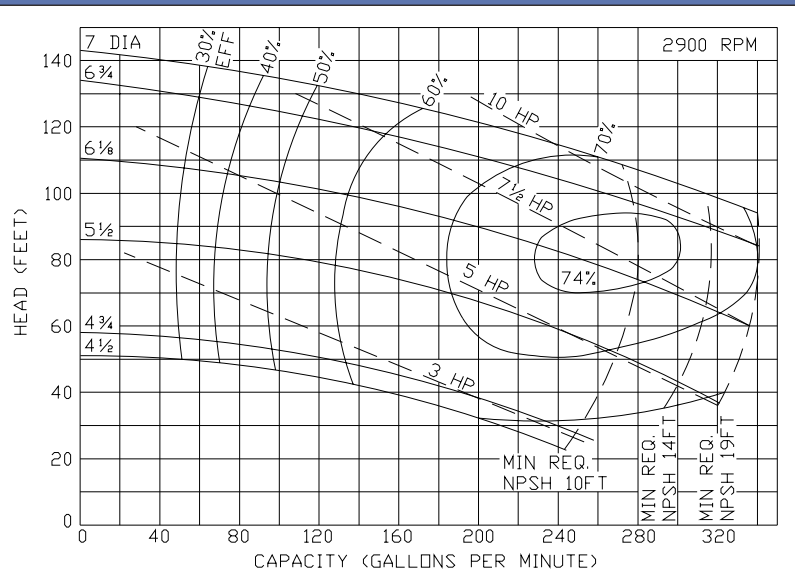
Ampco Centrifugal Pumps

MODEL EC/ECH 3 X 2 1/2

Curves show approximate characteristics based on clear 68° water. Rated point is guaranteed.

E Series pumps provide the same heavy-duty construction and hydraulic performance as Ampco's Z Series.

An enlarged stuffing box offers multiple sealing arrangements, including Type 21, Type 1, Type 9, Double Type 21, Double Type 9, packing and cartridge seals.



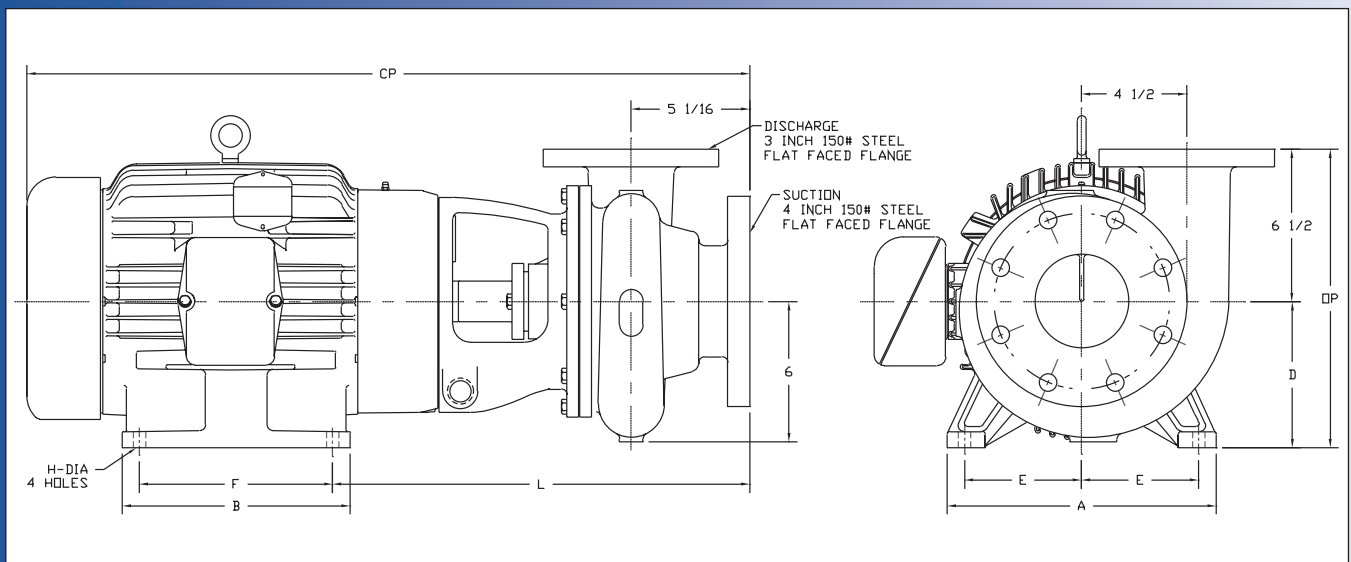
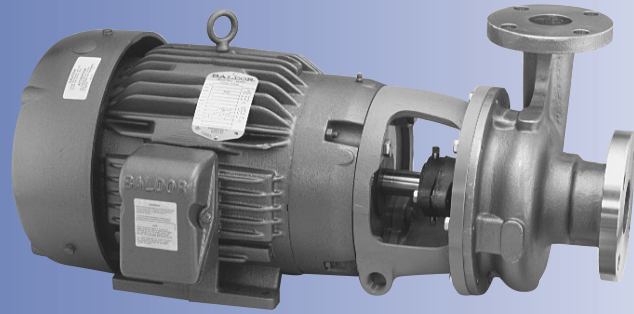
Ampco Pumps Company

4424 West Mitchell Street
 Milwaukee, Wisconsin 53214
 PHONE (414) 643-1852
 FAX (414) 643-4452

Ampco Centrifugal Pumps

DATA SHEET

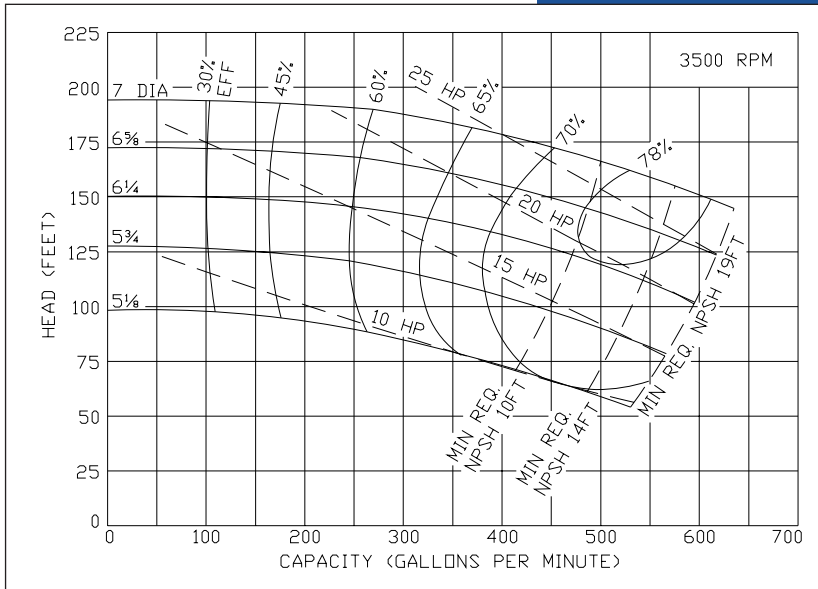
MODEL EC/ECH 4x3



TEFC MOTOR			DIMENSIONS IN INCHES (For Reference Only)									APPROX. WEIGHT (LBS)
HP	RPM	FRAME	A (typ)	B (typ)	D	E	F	H	L	CP	OP	
10	3500	215JP	9-1/2	8	5-1/4	4-1/4	7	13/32	17-9/16	28-5/8	11-3/4	295
15	3500	254JP	11-1/2	9-3/4	6-1/4	5	8-1/4	17/32	17-13/16	30-1/4	12-3/4	403
20	3500	256JP	11-1/2	11-1/2	6-1/4	5	10	17/32	17-13/16	32-11/16	12-3/4	441
25	3500	284JP	12-3/4	12-3/4	7	5-1/2	9-1/2	17/32	17-13/16	36-1/4	13-1/2	572
30	3500	286JP	12-3/4	12-3/4	7	5-1/2	11	17/32	17-13/16	36-1/4	13-1/2	701
3	1750	182TCZ	8-5/8	6-1/2	4-1/2	3-3/4	4-1/2	13/32	16-1/4	26-9/16	11	209
5	1750	184TCZ	8-5/8	6-1/2	4-1/2	3-3/4	5-1/2	13/32	16-1/4	26-9/16	11	237

MATERIAL SPECIFICATIONS

PART NAME	NICKEL ALUMINUM BRONZE	STAINLESS STEEL
Casing, Cover & Impeller	AMPCO® 483	316 Stainless
Wear Ring	AMPCO® 18	316 Stainless
Motor Shaft	Steel	Steel
Shaft Sleeve	AMPCO® 18	316 Stainless
Adapter	Cast Iron	Cast Iron



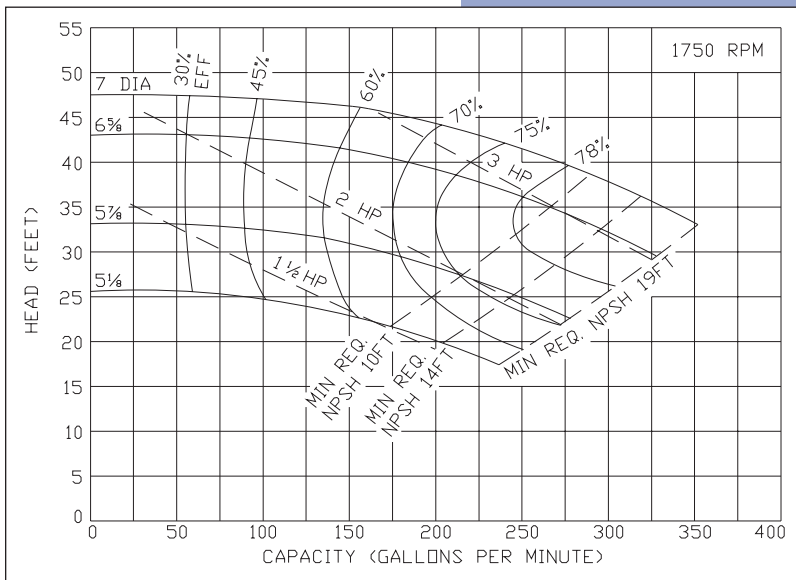
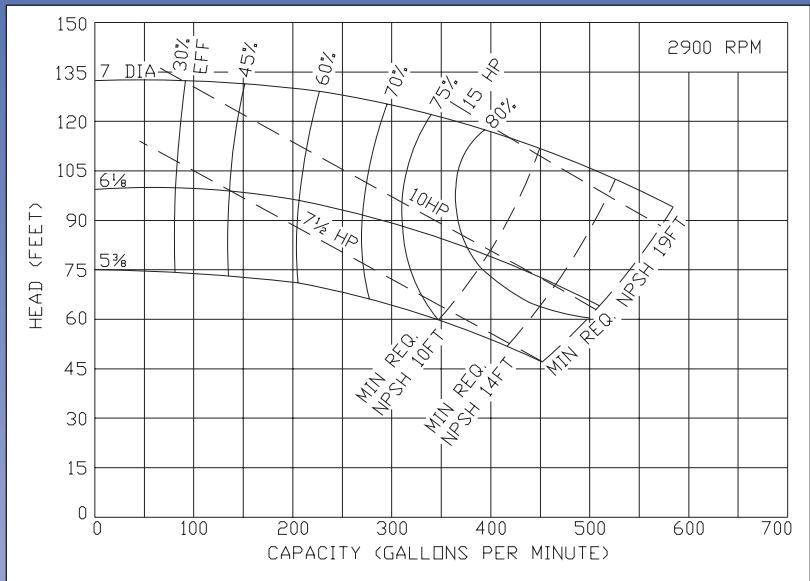
Ampco Centrifugal Pumps

MODEL EC/ECH 4 X 3

Curves show approximate characteristics based on clear 68° water. Rated point is guaranteed.

E Series pumps provide the same heavy-duty construction and hydraulic performance as Ampco's Z Series.

An enlarged stuffing box offers multiple sealing arrangements, including Type 21, Type 1, Type 9, Double Type 21, Double Type 9, packing and cartridge seals.



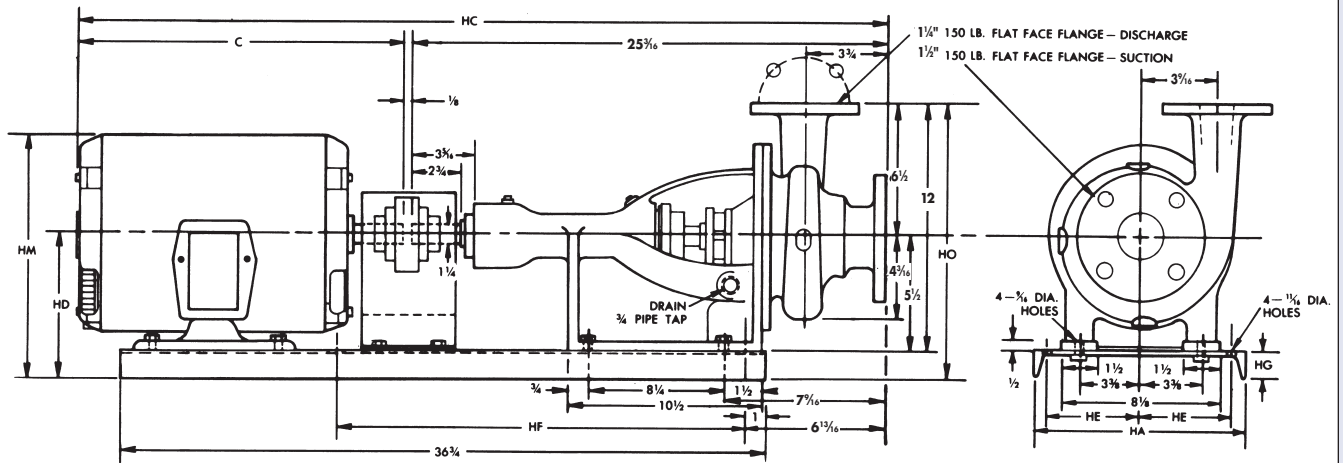
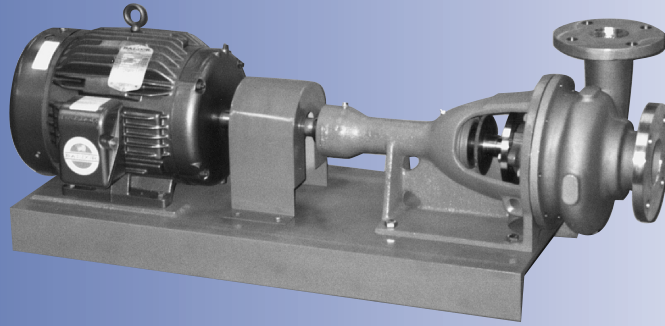
Ampco Pumps Company

4424 West Mitchell Street
 Milwaukee, Wisconsin 53214
 PHONE (414) 643-1852
 FAX (414) 643-4452

Ampco Centrifugal Pumps

DATA SHEET

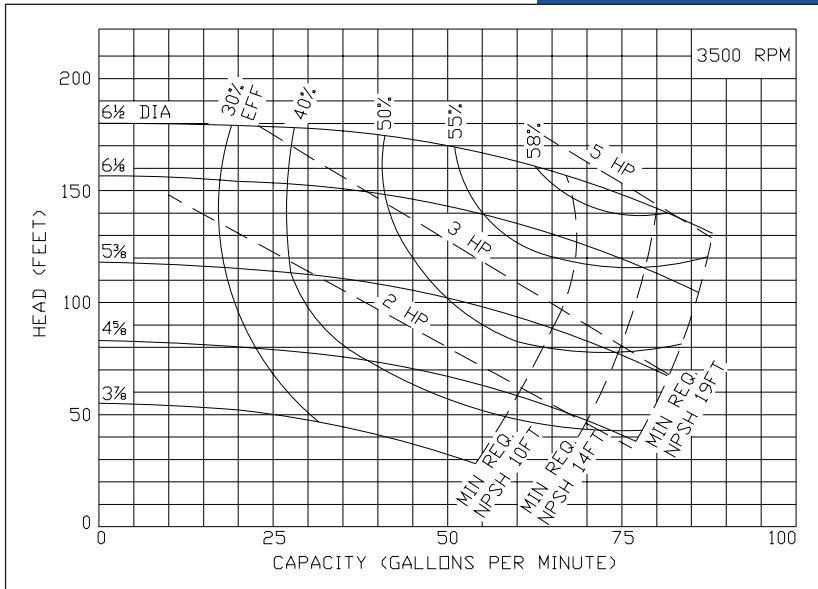
**MODEL EP 1¹/₂ X 1¹/₄
NICKEL ALUMINUM BRONZE**



TEFC MOTOR			DIMENSIONS IN INCHES (For Reference Only)					
HP	RPM	FRAME	HA	HD	HE	HF	HG	HO
1	1750	143T	12	8-1/2	4-3/4	33-3/8	3	15
2	3500	145T	12	8-1/2	4-3/4	33-3/8	3	15
3	3500	182T	15	8-7/8	5-3/4	19	3-3/8	15-3/8
5	3500	184T	15	8-7/8	5-3/4	19	3-3/8	15-3/8
7-1/2	3500	213T	15	8-7/8	5-3/4	19	3-3/8	15-3/8

MATERIAL SPECIFICATIONS

PART NAME	NICKEL ALUMINUM BRONZE
Casing, Cover & Impeller	AMPCO® 483
Wear Ring	AMPCO® 18
Shaft	Steel
Shaft Sleeve	AMPCO® 18
Frame	Cast Iron



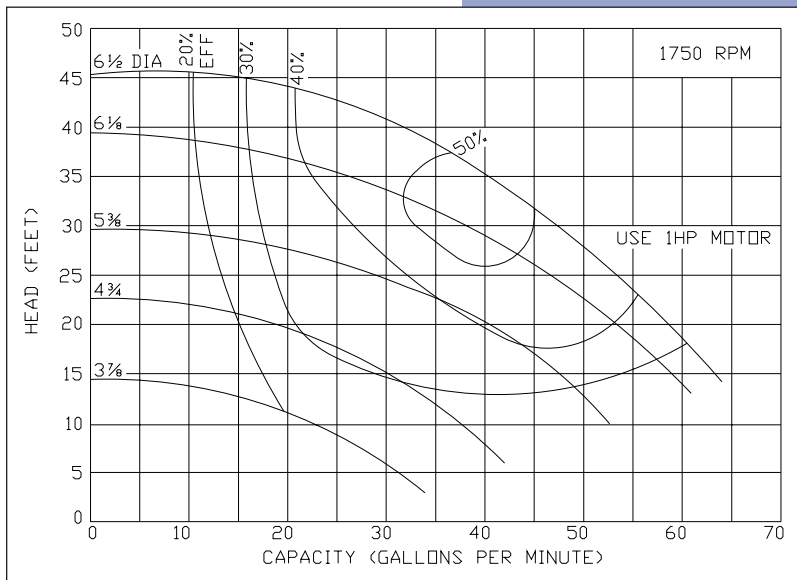
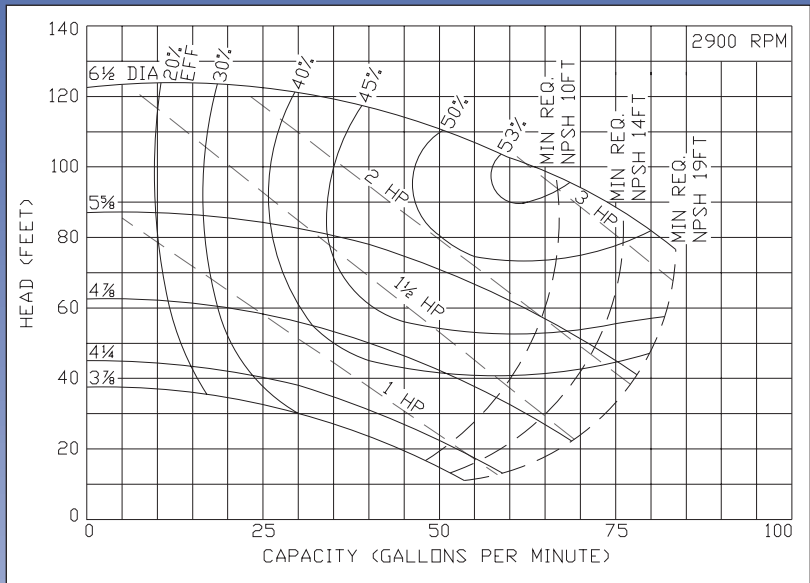
Ampco Centrifugal Pumps

**MODEL EP 1 1/2 X 1 1/4
NICKEL ALUMINUM BRONZE**

Curves show approximate characteristics based on clear 68° water. Rated point is guaranteed.

E Series pumps provide the same heavy-duty construction and hydraulic performance as Ampco's Z Series.

An enlarged stuffing box offers multiple sealing arrangements, including Type 21, Type 1, Type 9, Double Type 21, Double Type 9, packing and cartridge seals.



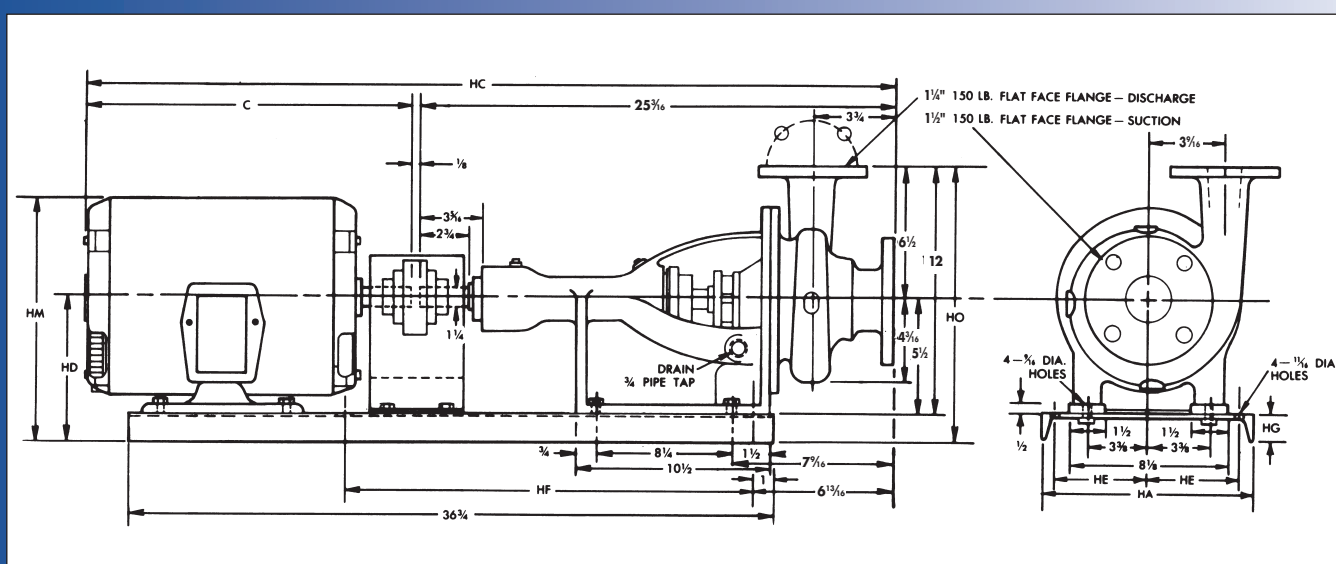
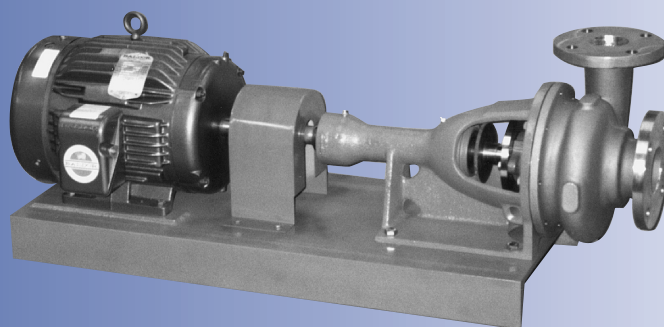
Ampco Pumps Company

4424 West Mitchell Street
Milwaukee, Wisconsin 53214
PHONE (414) 643-1852
FAX (414) 643-4452

Ampco Centrifugal Pumps

DATA SHEET

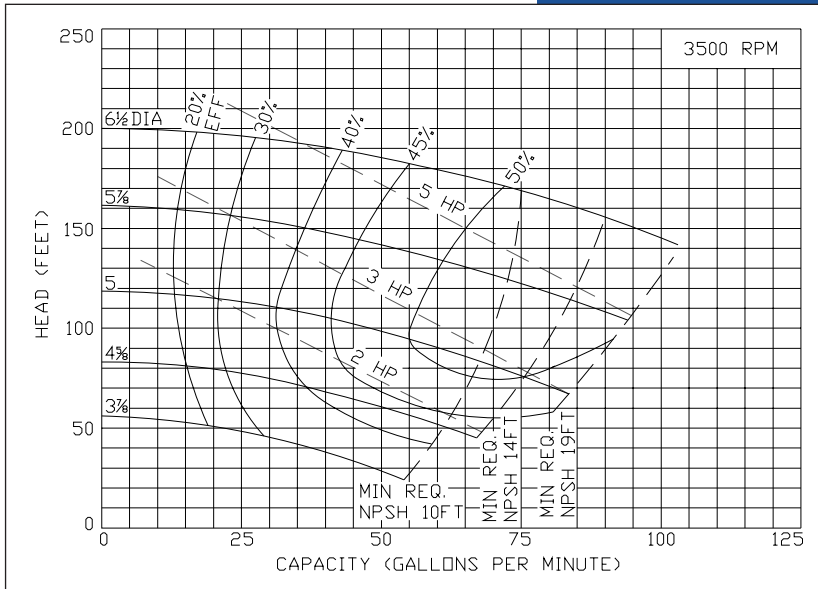
MODEL EP 1¹/₂ X 1¹/₄
STAINLESS STEEL



TEFC MOTOR			DIMENSIONS IN INCHES (For Reference Only)					
HP	RPM	FRAME	HA	HD	HE	HF	HG	HO
1	1750	143T	12	8-1/2	4-3/4	33-3/8	3	15
2	3500	145T	12	8-1/2	4-3/4	33-3/8	3	15
3	3500	182T	15	8-7/8	5-3/4	19	3-3/8	15-3/8
5	3500	184T	15	8-7/8	5-3/4	19	3-3/8	15-3/8
7-1/2	3500	213T	15	8-7/8	5-3/4	19	3-3/8	15-3/8

MATERIAL SPECIFICATIONS

PART NAME	STAINLESS STEEL
Casing, Cover & Impeller	316 Stainless
Wear Ring	316 Stainless
Shaft	Steel
Shaft Sleeve	316 Stainless
Frame	Cast Iron



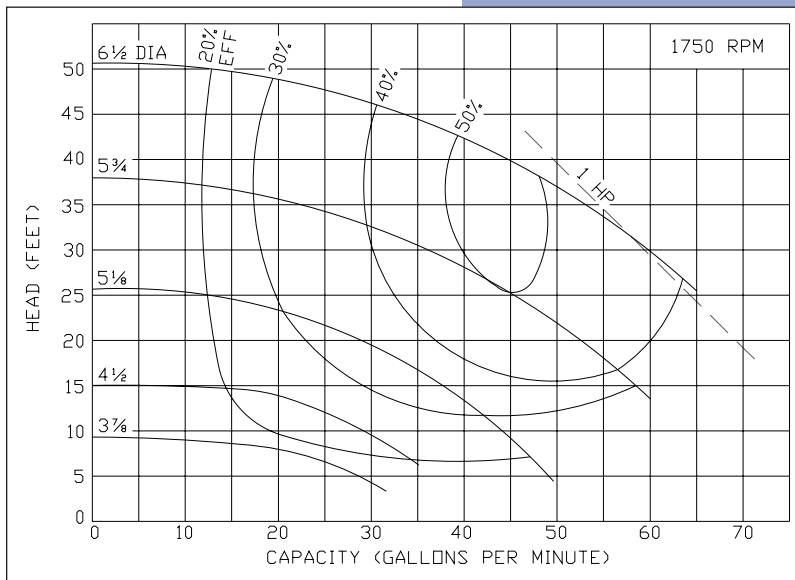
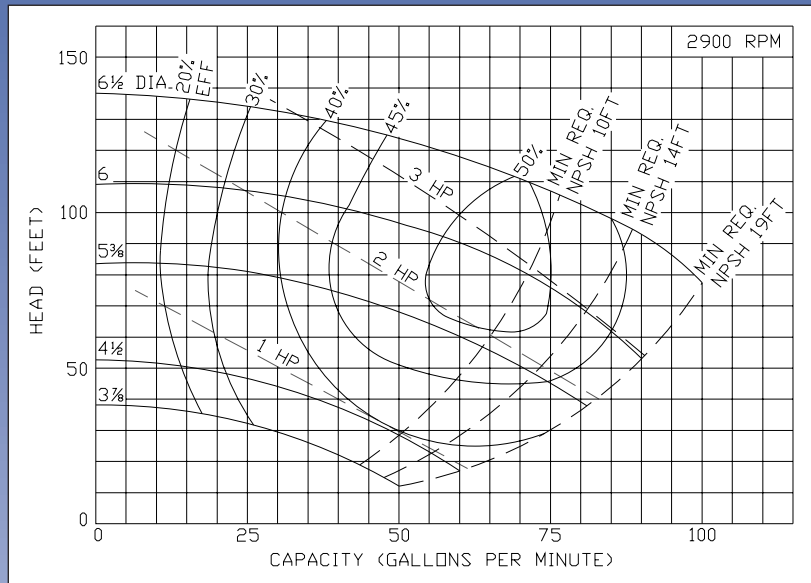
Ampco Centrifugal Pumps

MODEL EP 1 1/2 X 1 1/4
STAINLESS STEEL

Curves show approximate characteristics based on clear 68° water. Rated point is guaranteed.

E Series pumps provide the same heavy-duty construction and hydraulic performance as Ampco's Z Series.

An enlarged stuffing box offers multiple sealing arrangements, including Type 21, Type 1, Type 9, Double Type 21, Double Type 9, packing and cartridge seals.



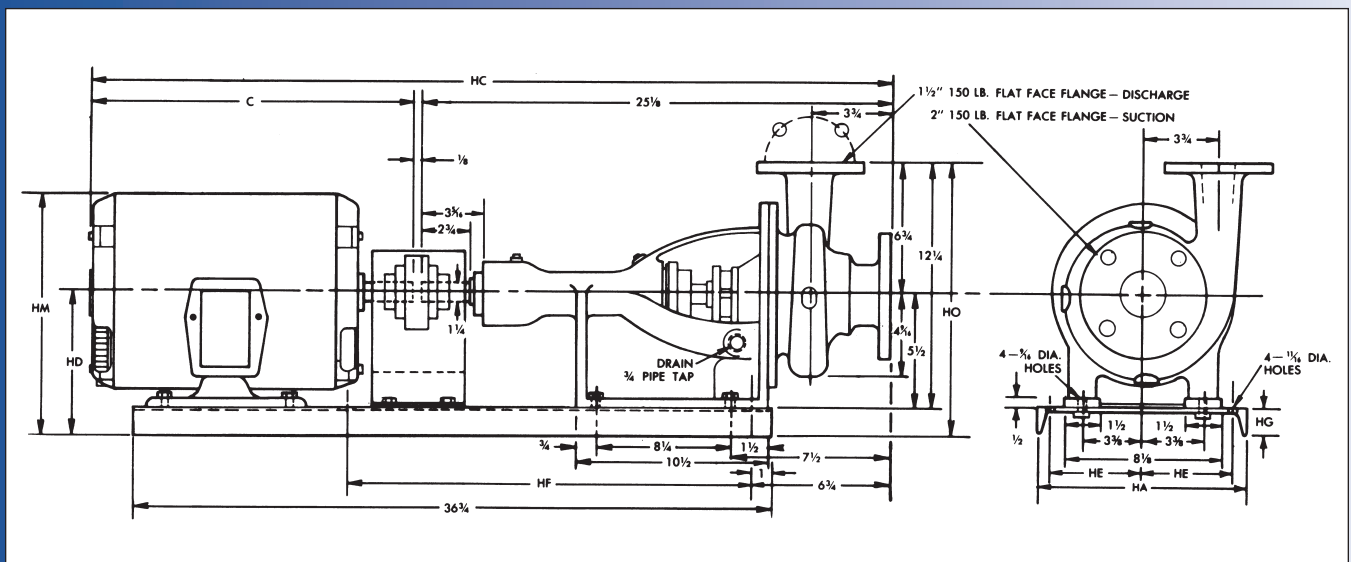
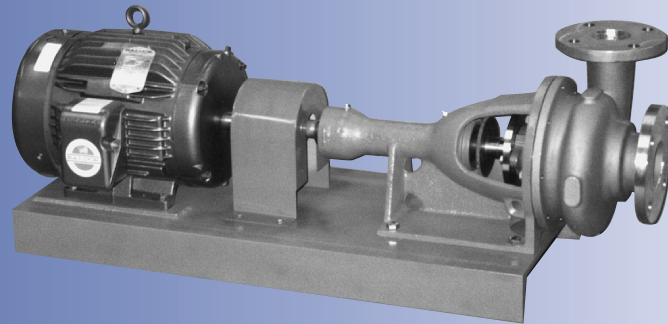
Ampco Pumps Company

4424 West Mitchell Street
Milwaukee, Wisconsin 53214
PHONE (414) 643-1852
FAX (414) 643-4452

Ampco Centrifugal Pumps

DATA SHEET

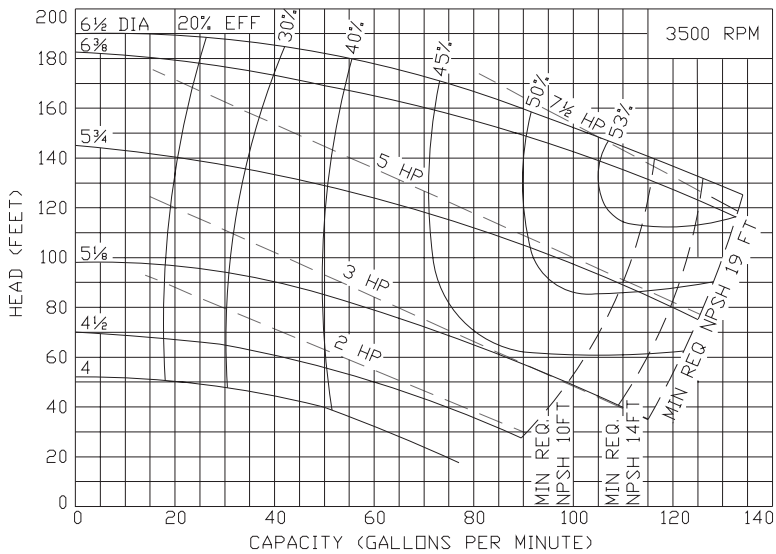
MODEL EP 2 X 1½



TEFC MOTOR			DIMENSIONS IN INCHES (For Reference Only)					
HP	RPM	FRAME	HA	HD	HE	HF	HG	HO
1	1750	143T	12	8-1/2	4-3/4	33-3/8	3	15-1/4
2	3500	145T	12	8-1/2	4-3/4	33-3/8	3	15-1/4
3	3500	182T	15	8-7/8	5-3/4	19	3-3/8	15-5/8
5	3500	184T	15	8-7/8	5-3/4	19	3-3/8	15-5/8
7-1/2	3500	213T	15	8-7/8	5-3/4	19	3-3/8	15-5/8

MATERIAL SPECIFICATIONS

PART NAME	NICKEL ALUMINUM BRONZE	STAINLESS STEEL
Casing, Cover & Impeller	AMPCO® 483	316 Stainless
Wear Ring	AMPCO® 18	316 Stainless
Shaft	Steel	Steel
Shaft Sleeve	AMPCO® 18	316 Stainless
Frame	Cast Iron	Cast Iron



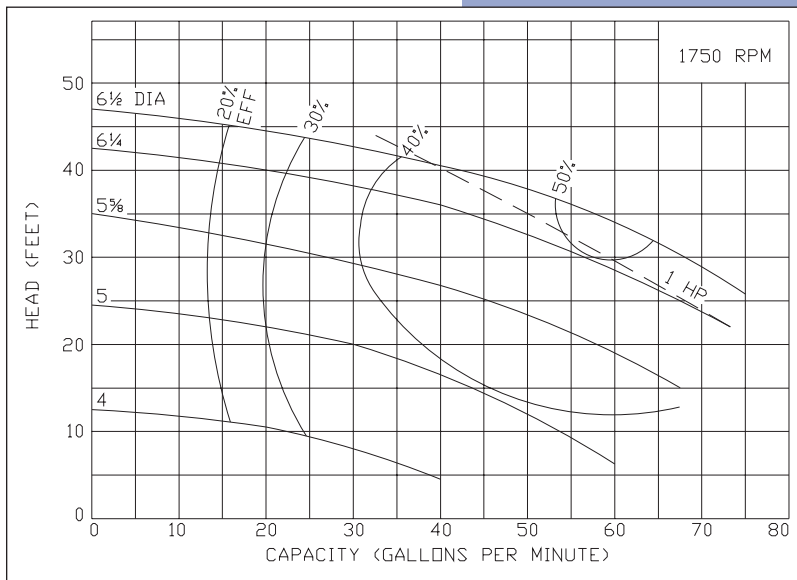
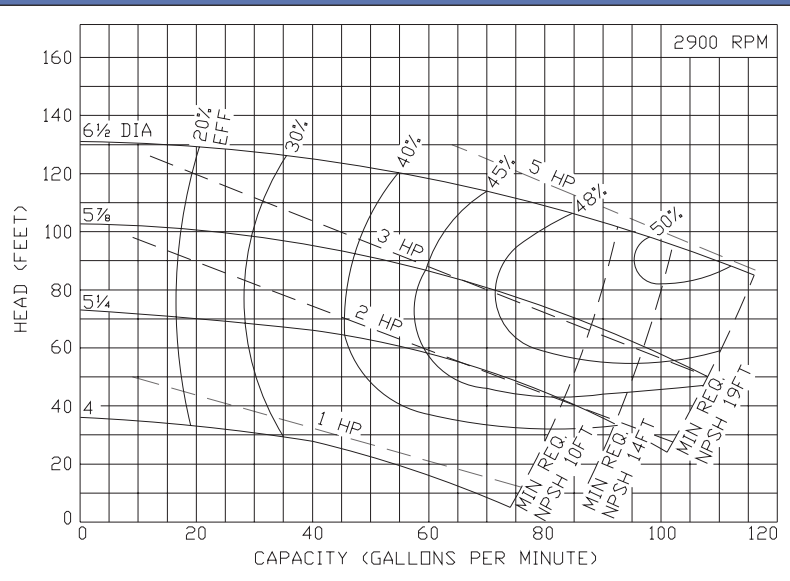
Ampco Centrifugal Pumps

MODEL EP 2 X 1 1/2

Curves show approximate characteristics based on clear 68° water. Rated point is guaranteed.

E Series pumps provide the same heavy-duty construction and hydraulic performance as Ampco's Z Series.

An enlarged stuffing box offers multiple sealing arrangements, including Type 21, Type 1, Type 9, Double Type 21, Double Type 9, packing and cartridge seals.



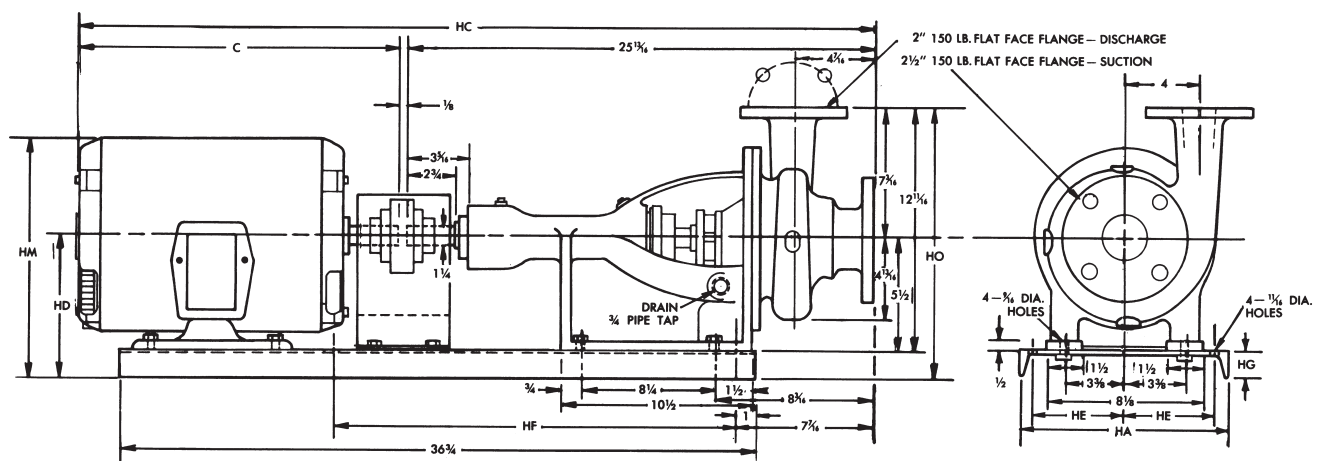
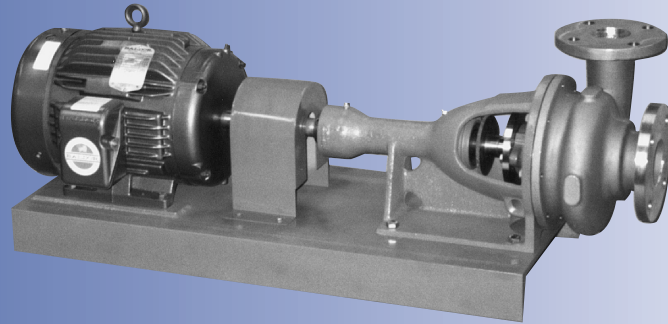
Ampco Pumps Company

4424 West Mitchell Street
 Milwaukee, Wisconsin 53214
 PHONE (414) 643-1852
 FAX (414) 643-4452

Ampco Centrifugal Pumps

DATA SHEET

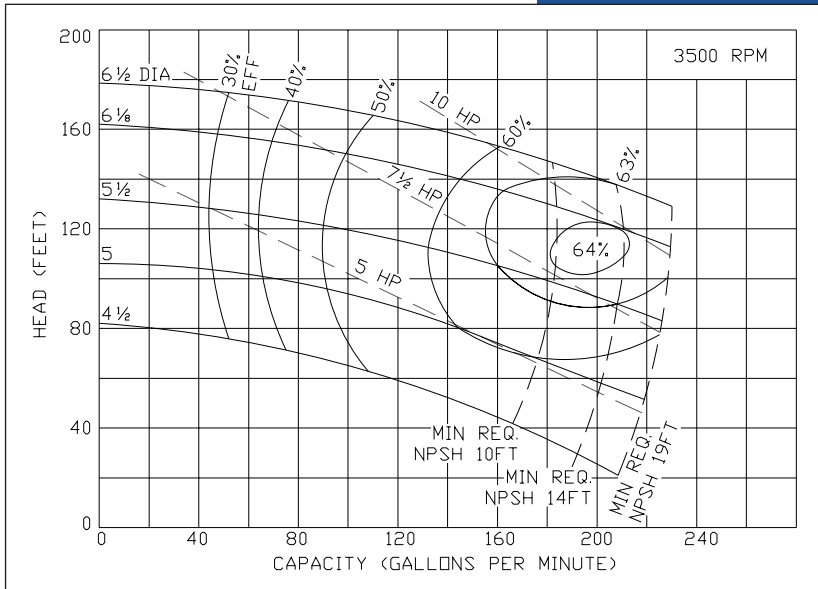
MODEL EP 2 1/2 X 2



TEFC MOTOR			DIMENSIONS IN INCHES (For Reference Only)					
HP	RPM	FRAME	HA	HD	HE	HF	HG	HO
2	1750	145T	12	8-1/2	4-3/4	33-3/8	3	15-7/16
5	3500	184T	15	8-7/8	5-3/4	19	3-3/8	15-13/16
7-1/2	3500	213T	15	8-7/8	5-3/4	19	3-3/8	15-13/16
10	3500	215T	15	8-7/8	5-3/4	19	3-3/8	15-13/16
15	3500	254T	15	9-5/8	6	23	3-3/8	16-13/16

MATERIAL SPECIFICATIONS

PART NAME	NICKEL ALUMINUM BRONZE	STAINLESS STEEL
Casing, Cover & Impeller	AMPCO® 483	316 Stainless
Wear Ring	AMPCO® 18	316 Stainless
Shaft	Steel	Steel
Shaft Sleeve	AMPCO® 18	316 Stainless
Frame	Cast Iron	Cast Iron



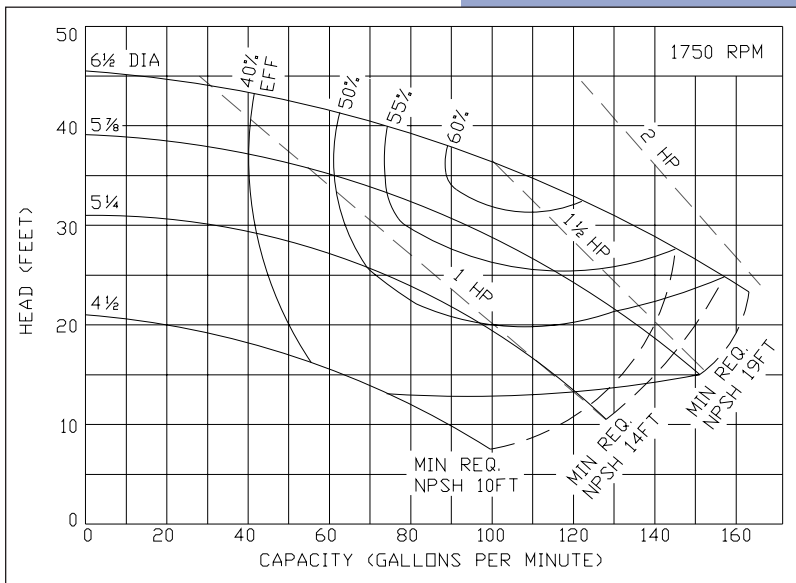
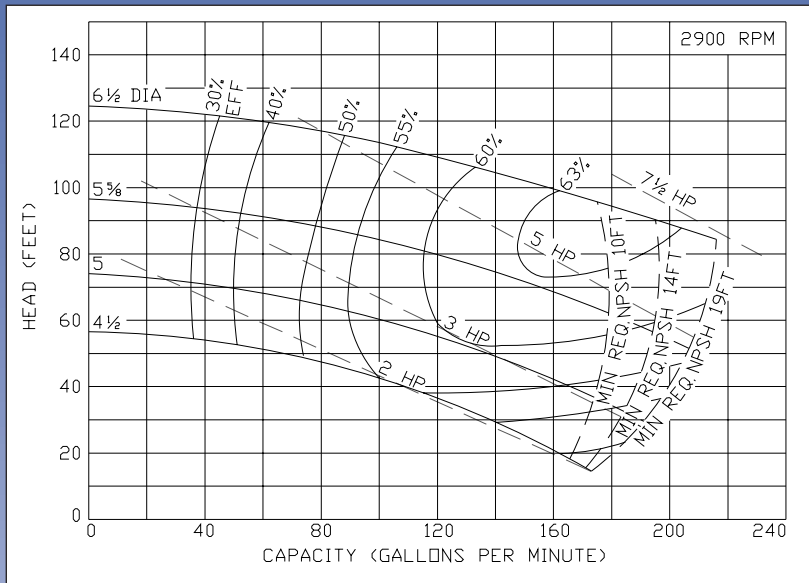
Ampco Centrifugal Pumps

MODEL EP 2 1/2 X 2

Curves show approximate characteristics based on clear 68° water. Rated point is guaranteed.

E Series pumps provide the same heavy-duty construction and hydraulic performance as Ampco's Z Series.

An enlarged stuffing box offers multiple sealing arrangements, including Type 21, Type 1, Type 9, Double Type 21, Double Type 9, packing and cartridge seals.



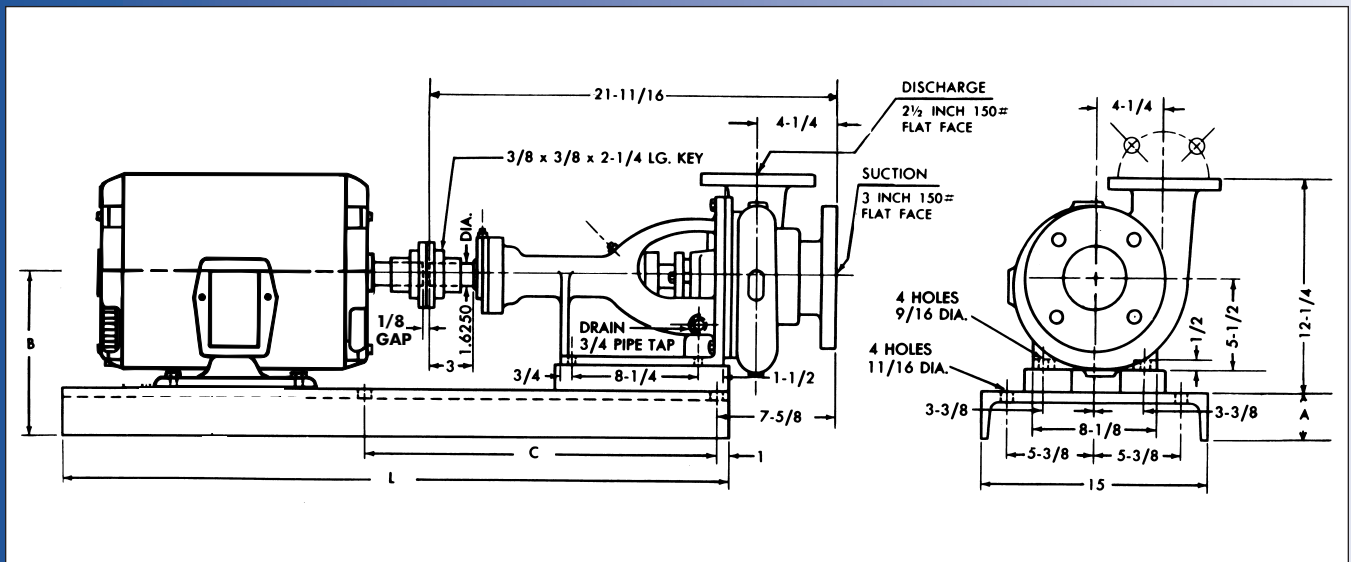
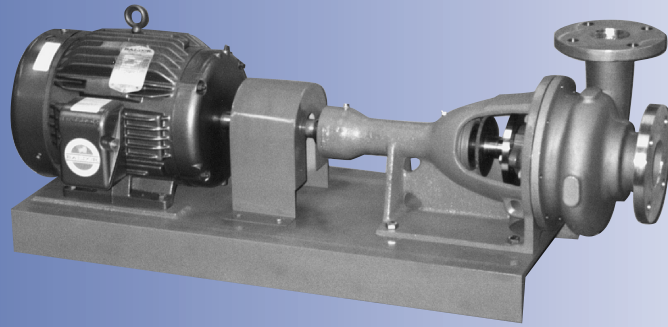
Ampco Pumps Company

4424 West Mitchell Street
 Milwaukee, Wisconsin 53214
 PHONE (414) 643-1852
 FAX (414) 643-4452

Ampco Centrifugal Pumps

DATA SHEET

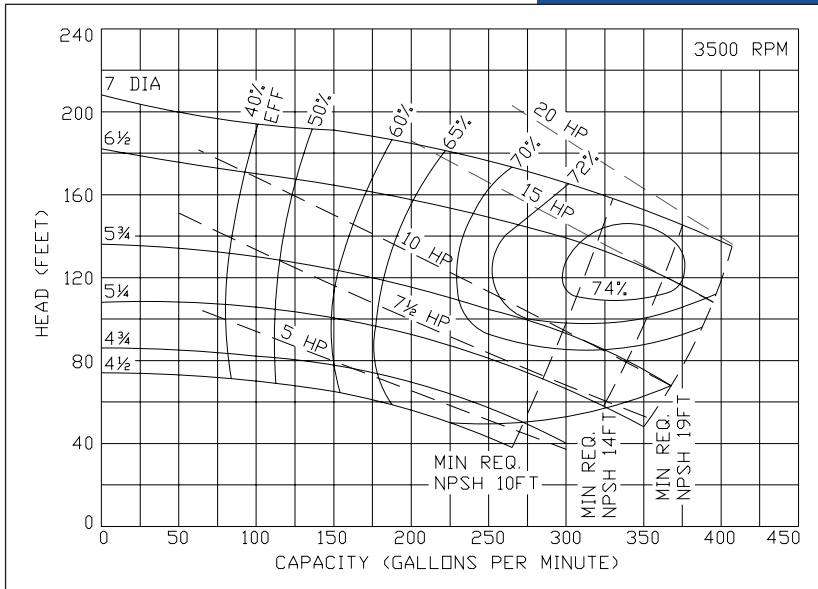
MODEL EP/EPH 3 X 2 1/2



TEFC MOTOR			DIMENSIONS IN INCHES (For Reference Only)			
HP	RPM	FRAME	A	B	C	L
7-1/2	3500	213T	3-7/8	9-3/8	19	36-3/4
10	3500	215T	3-7/8	9-3/8	19	36-3/4
15	3500	254T	4-1/8	9-5/8	23	41-1/2
20	3500	256T	4-1/8	9-5/8	23	41-1/2
25	3500	284T	4-7/8	10-3/8	23	45-1/2

MATERIAL SPECIFICATIONS

PART NAME	NICKEL ALUMINUM BRONZE	STAINLESS STEEL
Casing, Cover & Impeller	AMPCO® 483	316 Stainless
Wear Ring	AMPCO® 18	316 Stainless
Shaft	Steel	Steel
Shaft Sleeve	AMPCO® 18	316 Stainless
Frame	Cast Iron	Cast Iron



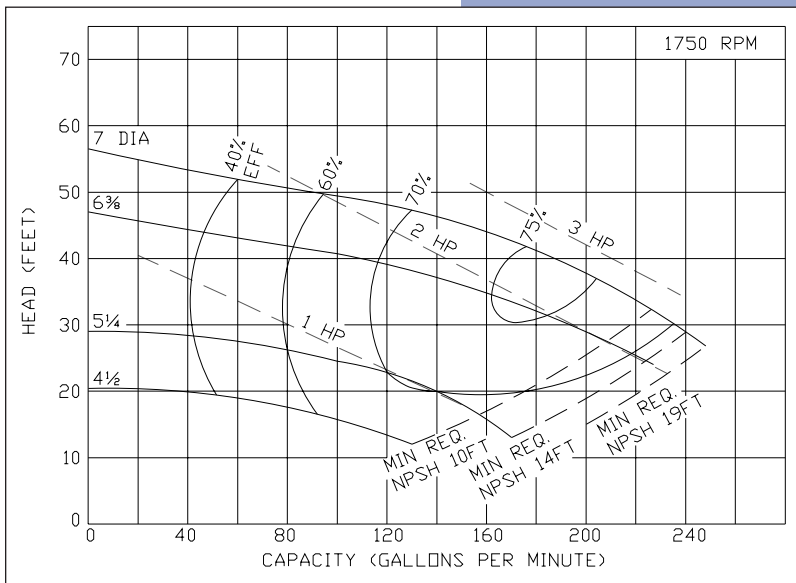
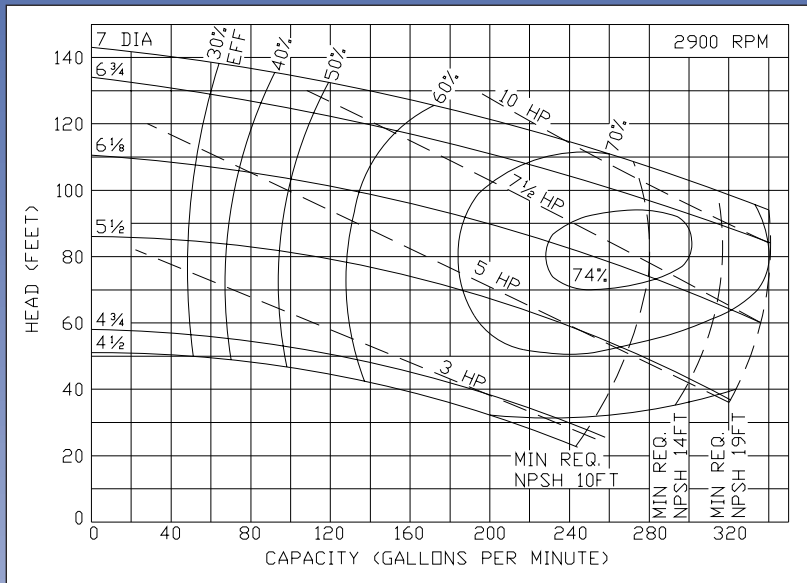
Ampco Centrifugal Pumps

MODEL EP/EPH 3 X 2 1/2

Curves show approximate characteristics based on clear 68° water. Rated point is guaranteed.

E Series pumps provide the same heavy-duty construction and hydraulic performance as Ampco's Z Series.

An enlarged stuffing box offers multiple sealing arrangements, including Type 21, Type 1, Type 9, Double Type 21, Double Type 9, packing and cartridge seals.



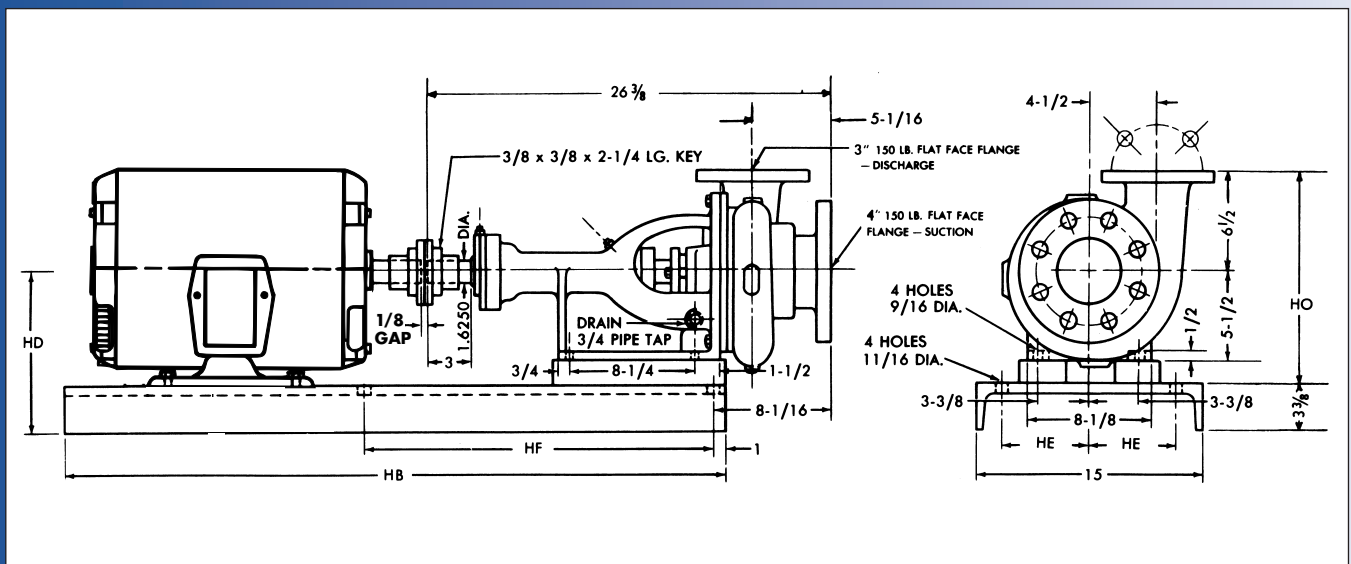
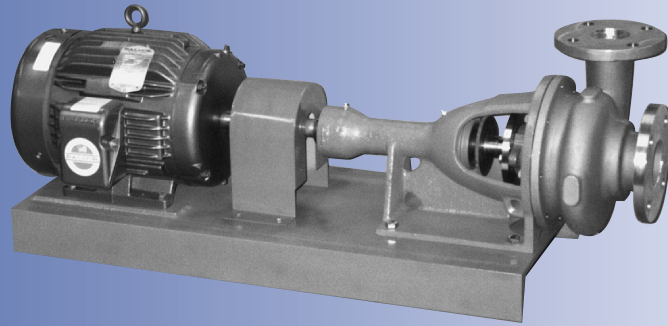
Ampco Pumps Company

4424 West Mitchell Street
 Milwaukee, Wisconsin 53214
 PHONE (414) 643-1852
 FAX (414) 643-4452

Ampco Centrifugal Pumps

DATA SHEET

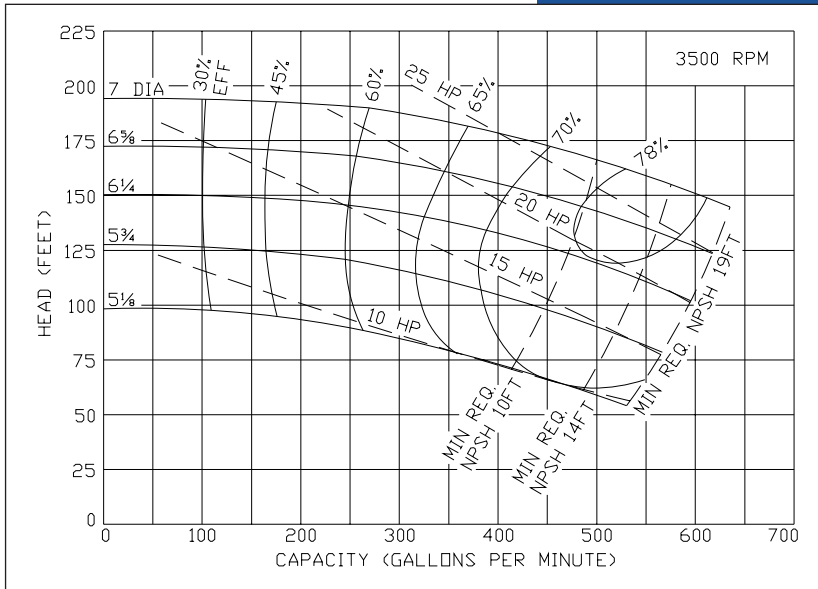
MODEL EP/EPH 4X3



TEFC MOTOR			DIMENSIONS IN INCHES (For Reference Only)				
HP	RPM	FRAME	HB	HD	HE	HF	HO
10	3500	215T	36-3/4	8-7/8	6	19	15-3/8
15	3500	254T	41-1/2	9-5/8	6	23	16-1/8
20	3500	256T	41-1/2	9-5/8	6	23	16-1/8
25	3500	284TS	41-1/2	10-3/8	5-3/4	23	16-7/8
30	3500	286TS	41-1/2	10-3/8	5-3/4	23	16-7/8

MATERIAL SPECIFICATIONS

PART NAME	NICKEL ALUMINUM BRONZE	STAINLESS STEEL
Casing, Cover & Impeller	AMPCO® 483	316 Stainless
Wear Ring	AMPCO® 18	316 Stainless
Shaft	Steel	Steel
Shaft Sleeve	AMPCO® 18	316 Stainless
Frame	Cast Iron	Cast Iron



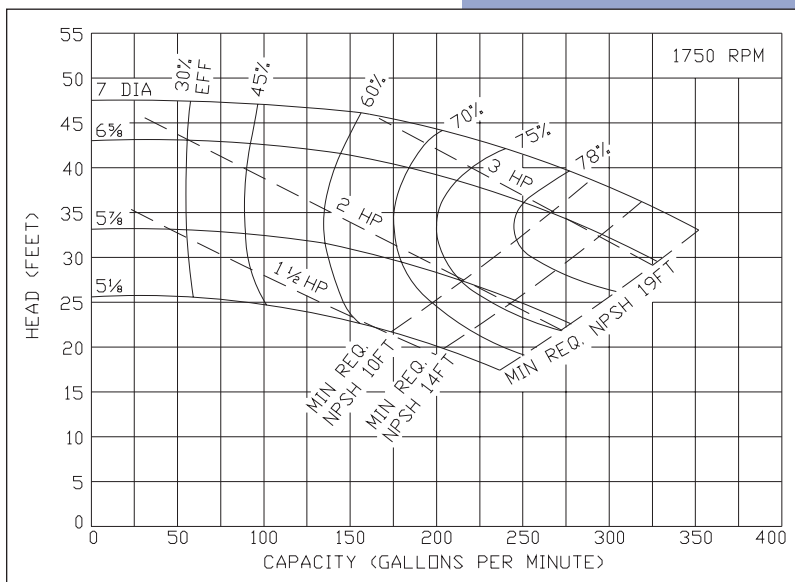
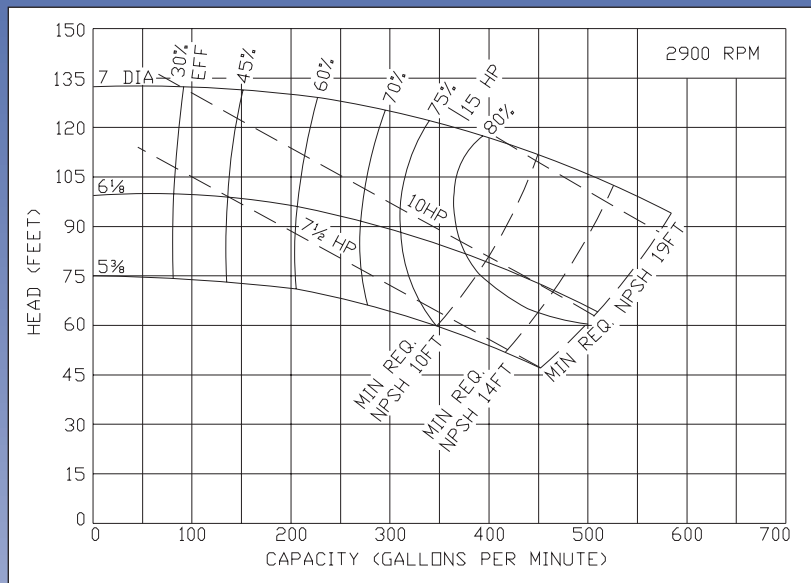
Ampco Centrifugal Pumps

MODEL EP/EPH 4x3

Curves show approximate characteristics based on clear 68° water. Rated point is guaranteed.

E Series pumps provide the same heavy-duty construction and hydraulic performance as Ampco's Z Series.

An enlarged stuffing box offers multiple sealing arrangements, including Type 21, Type 1, Type 9, Double Type 21, Double Type 9, packing and cartridge seals.



Ampco Pumps Company

4424 West Mitchell Street
 Milwaukee, Wisconsin 53214
 PHONE (414) 643-1852
 FAX (414) 643-4452