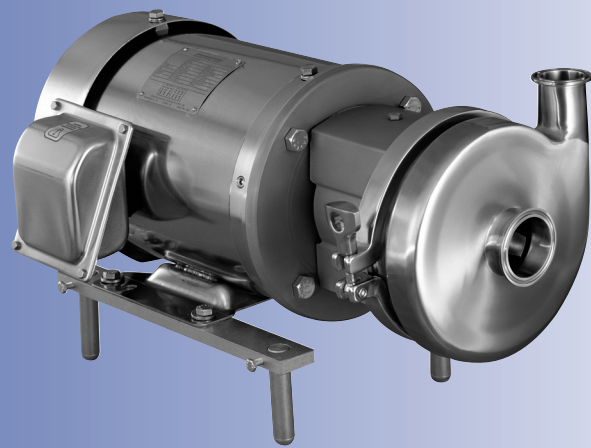
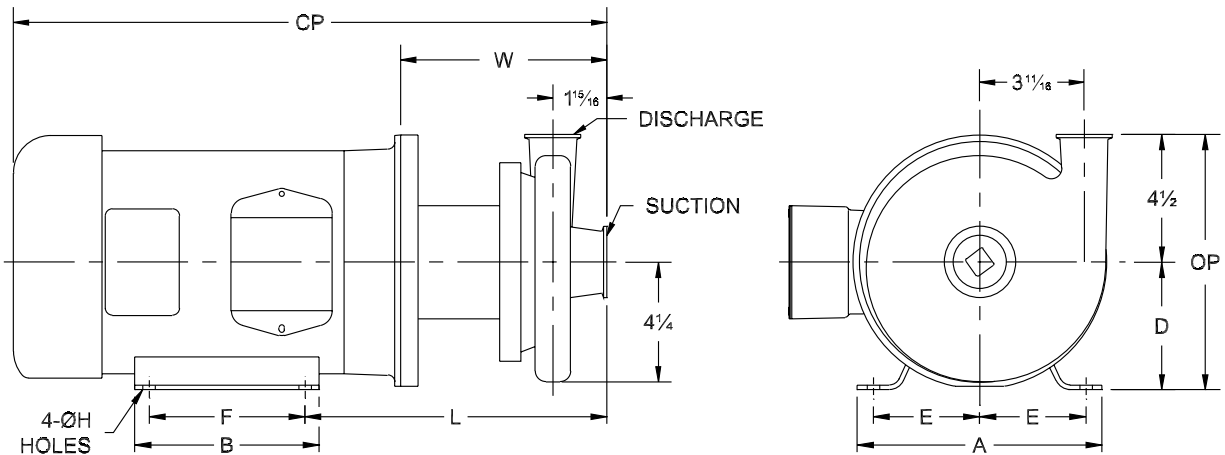


Ampco Centrifugal Pumps

DATA SHEET



Model CB+ 316 2½ x 1½



TEFC MOTOR			DIMENSIONS IN INCHES (For Reference Only)										APPROX WEIGHT (LBS)
HP	RPM	FRAME	A (typ)	B (typ)	D	E	F	ØH	L	W	CP	OP	
1/2	1750	56C	6-9/16	4-1/4	3-1/2	2-7/16	3	7/16	10-11/16	7-15/16	17-3/16	8	49
3/4	1750	56C	6-9/16	4-1/4	3-1/2	2-7/16	3	7/16	10-11/16	7-15/16	17-3/16	8	53
1	1750	56C	6-9/16	4-1/4	3-1/2	2-7/16	3	7/16	10-11/16	7-15/16	17-3/16	8	58
1-1/2	1750	56C	6-9/16	4-1/4	3-1/2	2-7/16	3	7/16	10-11/16	7-15/16	17-3/16	8	62
1-1/2	1750	145TC	6-1/2	6	3-1/2	2-3/4	5	11/32	10-11/16	7-15/16	19-3/16	8	72
2	1750	145TC	6-1/2	6	3-1/2	2-3/4	5	11/32	10-11/16	7-15/16	19-3/16	8	75
3	1750	182TC	8-5/8	6-1/2	4-1/2	3-3/4	4-1/2	13/32	12-1/16	8-9/16	22-5/16	9	104
3	3500	145TC	6-1/2	6	3-1/2	2-3/4	5	11/32	10-11/16	7-15/16	19-3/16	8	83
5	3500	184TC	8-5/8	6-1/2	4-1/2	3-3/4	5-1/2	13/32	12-1/16	8-9/16	23-11/16	9	106
7-1/2	3500	184TC	8-5/8	6-1/2	4-1/2	3-3/4	5-1/2	13/32	12-15/16	8-9/16	23-11/16	9	124
7-1/2	3500	213TC	9-1/2	8	5-1/4	4-1/4	5-1/2	13/32	13-15/16	9-11/16	24-15/16	9-3/4	128
10	3500	215TC	9-1/2	8	5-1/4	4-1/4	7	13/32	13-15/16	9-11/16	26-11/16	9-3/4	161
15	3500	215TC	9-1/2	8	5-1/4	4-1/4	7	13/32	13-15/16	9-11/16	26-11/16	9-3/4	201
20	3500	256TC	11-1/2	11-1/2	6-1/4	5	10	17/32	15-1/16	10-5/16	30-1/16	10-3/4	308

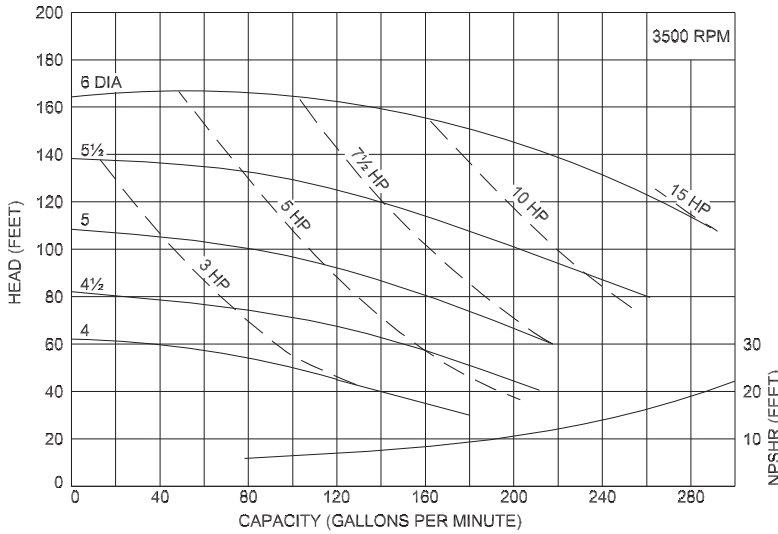
MATERIAL SPECIFICATIONS

PART NAME	STAINLESS STEEL
Casing	316L Stainless
Backplate, Impeller, Stub Shaft	316L Stainless
Adapter	304 Stainless

Ampco Centrifugal Pumps

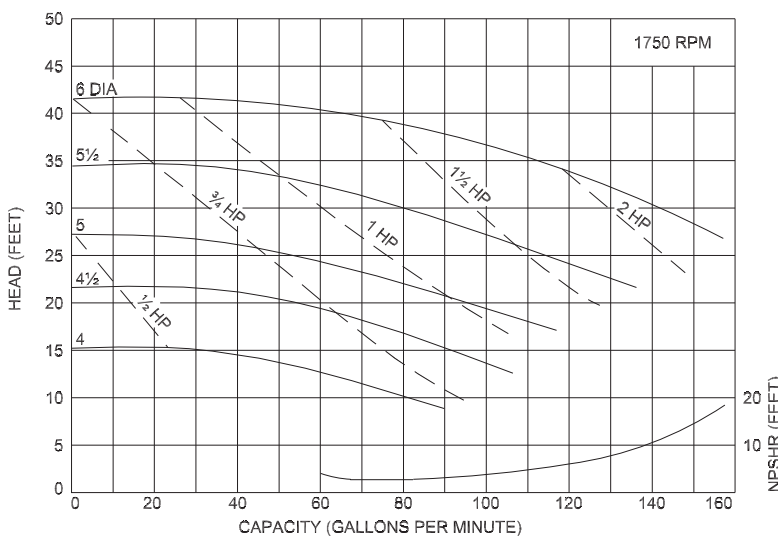
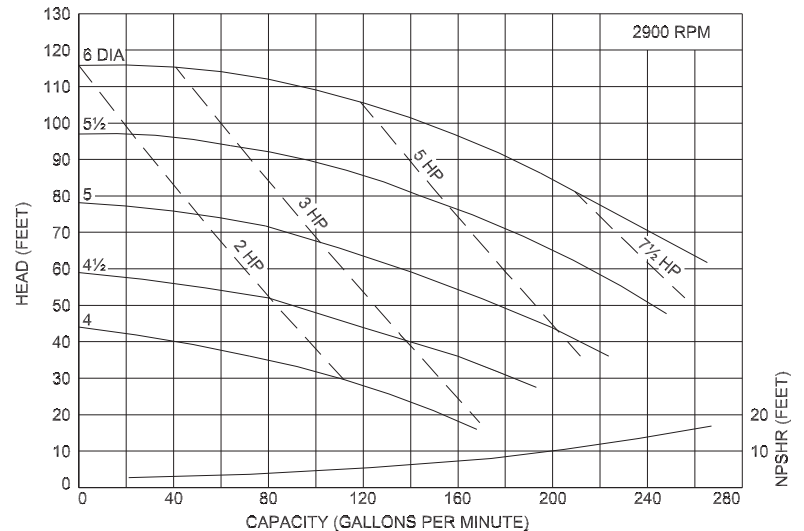
Model CB+ 316 2½ x1½

Curves show approximate characteristics
based on clear 68° water.
Rated point is guaranteed.



CB+ Series pumps have standard stainless steel adapters and utilize an internal seal.

CB+ Series pumps have a standard 32RA (150 grit) finish, on all product contact surfaces.



Ampco Pumps Company

2045 West Mill Road
Glendale, Wisconsin 53209
PHONE (414) 643-1852
FAX (414) 643-4452