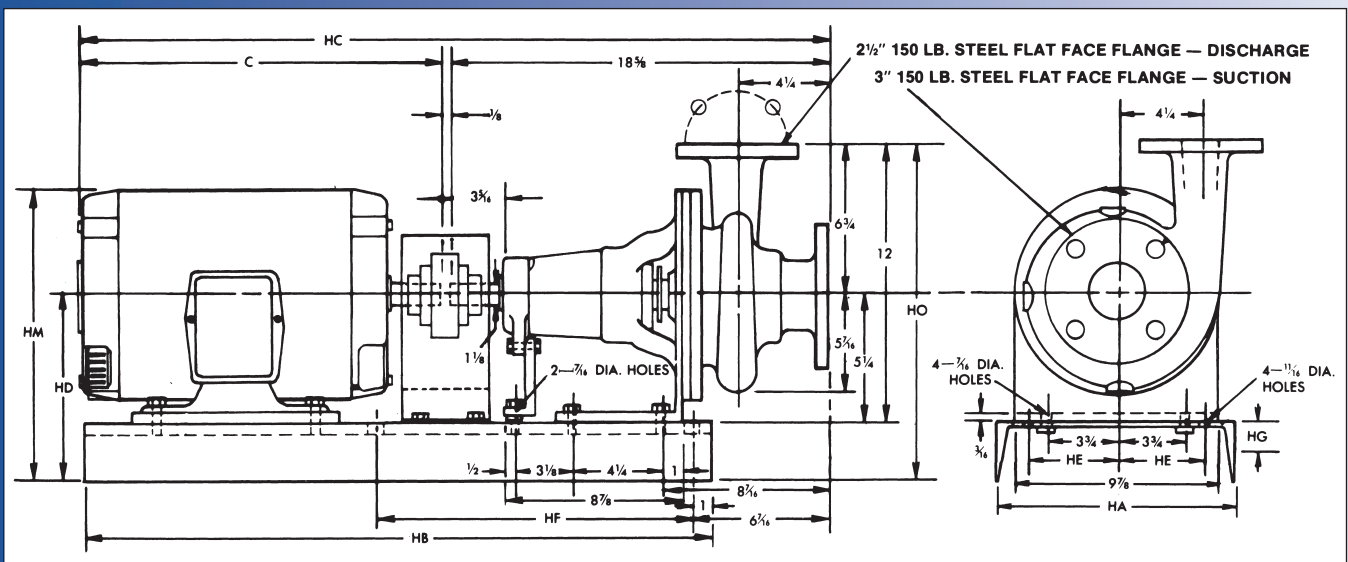
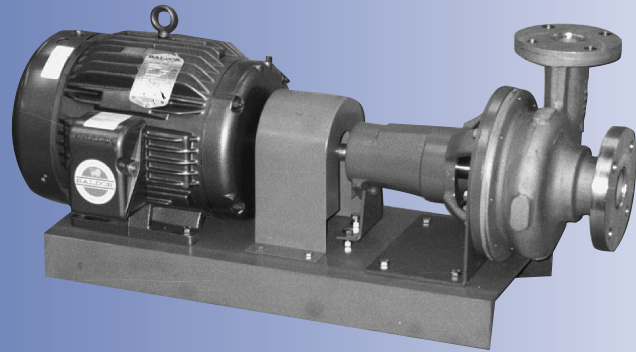


# Ampco Centrifugal Pumps

DATA SHEET

MODEL ZF 3 X 2<sup>1</sup>/<sub>2</sub>

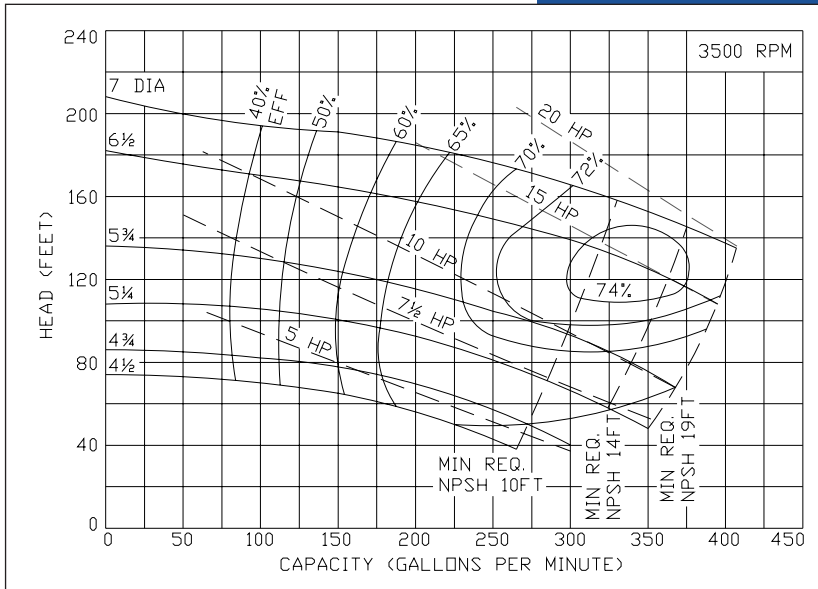


TEFC MOTOR			DIMENSIONS IN INCHES (For Reference Only)									
HP	RPM	FRAME	C	HA	HB	HC	HD	HE	HF	HG	HM	HO
3	3500	182T	15-3/8	10	26	34-1/8	7-7/8	3-3/4	16-1/4	2-5/8	12-1/2	14-5/8
5	3500	184T	15-3/8	10	26	34-1/8	7-7/8	3-3/4	16-1/4	2-5/8	12-1/2	14-5/8
7-1/2	3500	213T	19-7/16	12	28	38-3/16	8-1/4	4-1/2	17-1/2	3	13-3/4	15
10	3500	215T	19-7/16	12	28	38-3/16	8-1/4	4-1/2	17-1/2	3	13-3/4	15

Refer to EP/EPH data sheet for 15 HP and above.

## MATERIAL SPECIFICATIONS

PART NAME	NICKEL ALUMINUM BRONZE	STAINLESS STEEL
Casing, Cover & Impeller	AMPCO® 483	316 Stainless
Wear Ring	AMPCO® 18	316 Stainless
Shaft	Steel	Steel
Shaft Sleeve	AMPCO® 18	316 Stainless
Frame	Cast Iron	Cast Iron



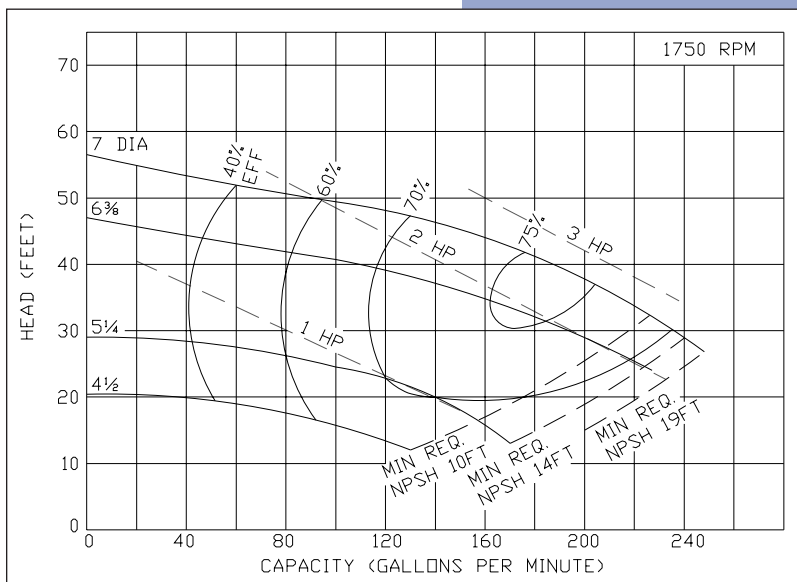
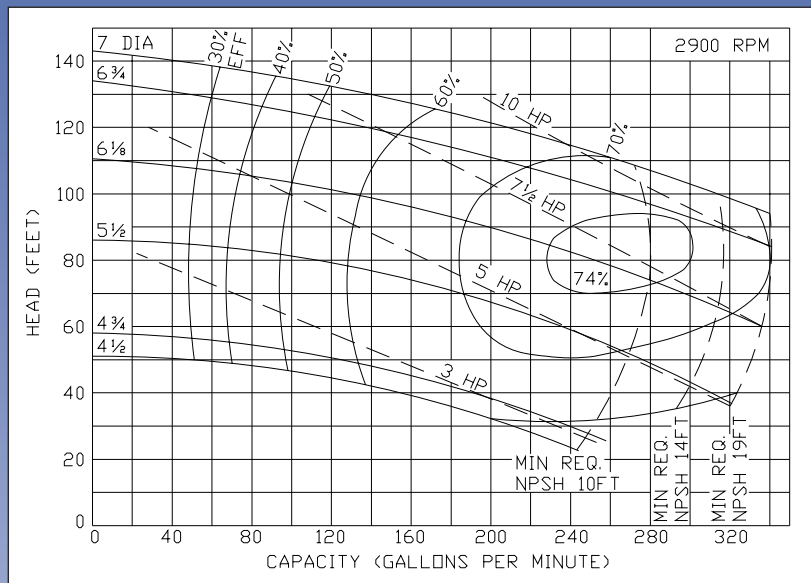
# Ampco Centrifugal Pumps

## MODEL ZF 3 X 2 1/2

Curves show approximate characteristics based on clear 68° water. Rated point is guaranteed.

Heavy-duty Z Series pumps have maximum wall thickness and 150 lb. flat faced flanged connections.

Seal options include Type 21, Type 1 and Type 9 with choice of sealing materials.



# Ampco Pumps Company

4424 West Mitchell Street  
 Milwaukee, Wisconsin 53214  
 PHONE (414) 643-1852  
 FAX (414) 643-4452