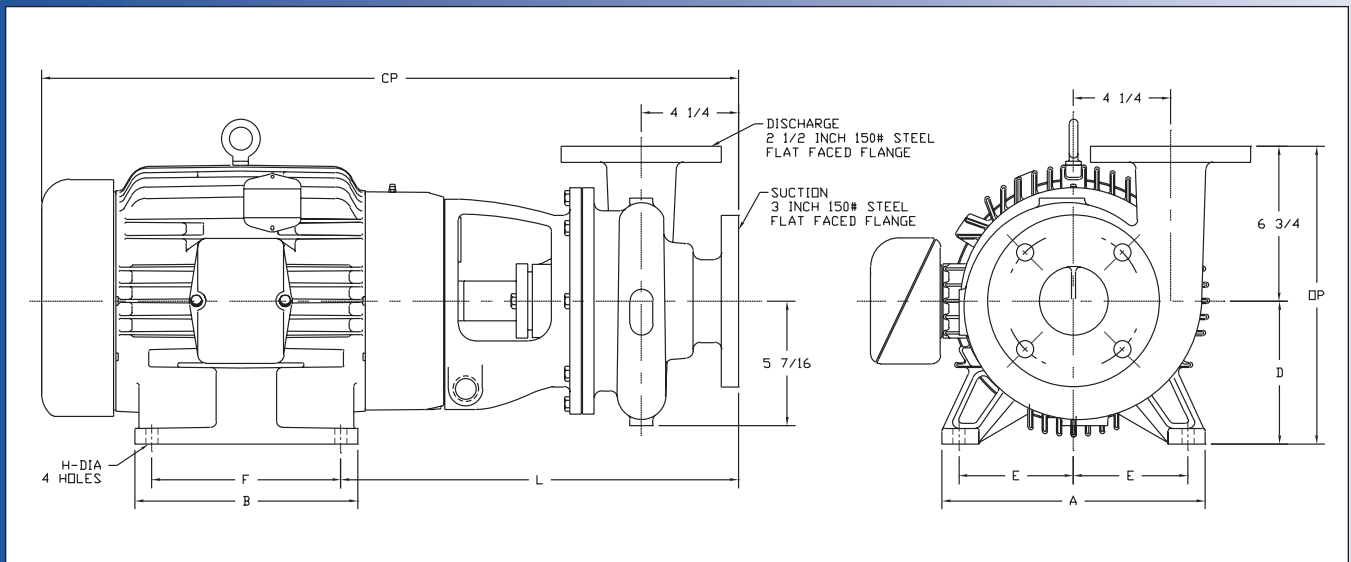
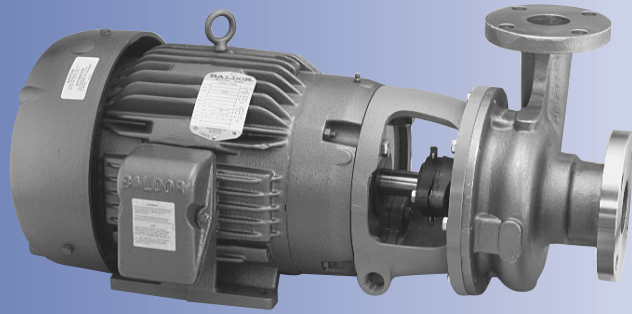


Ampco Centrifugal Pumps

DATA SHEET

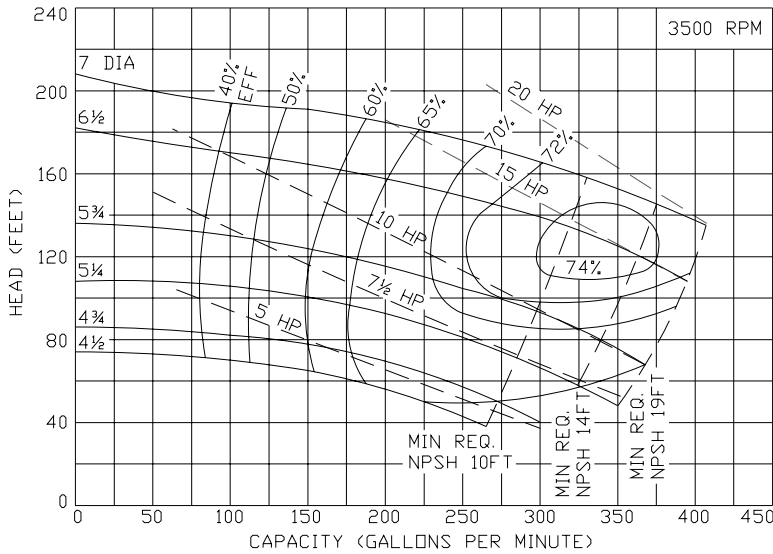
MODEL EC/ECH 3X2¹/₂



TEFC MOTOR			DIMENSIONS IN INCHES (For Reference Only)										APPROX. WEIGHT (LBS)
HP	RPM	FRAME	A (typ)	B (typ)	D	E	F	H	L	CP	OP		
3	1750	182TCZ	8-5/8	6-1/2	4-1/2	3-3/4	4-1/2	13/32	15-7/16	25-3/4	11-1/4	216	
5	3500	184TCZ	8-5/8	6-1/2	4-1/2	3-3/4	5-1/2	13/32	15-7/16	25-3/4	11-1/4	224	
7-1/2	3500	213JP	9-1/2	8	5-1/4	4-1/4	5-1/2	13/32	17-1/8	28-3/16	12	258	
10	3500	215JP	9-1/2	8	5-1/4	4-1/4	7	13/32	17-1/8	28-3/16	12	276	
15	3500	254JP	11-1/2	9-3/4	6-1/4	5	8-1/4	17/32	17-3/8	30-15/16	13	378	
20	3500	256JP	11-1/2	11-1/2	6-1/4	5	10	17/32	17-3/8	32-1/4	13	416	
25	3500	284JP	12-3/4	12-3/4	7	5-1/2	9-1/2	17/32	17-3/8	35-13/16	13-3/4	516	

MATERIAL SPECIFICATIONS

PART NAME	NICKEL ALUMINUM BRONZE	STAINLESS STEEL
Casing, Cover & Impeller	AMPCO® 483	316 Stainless
Wear Ring	AMPCO® 18	316 Stainless
Motor Shaft	Steel	Steel
Shaft Sleeve	AMPCO® 18	316 Stainless
Adapter	Cast Iron	Cast Iron



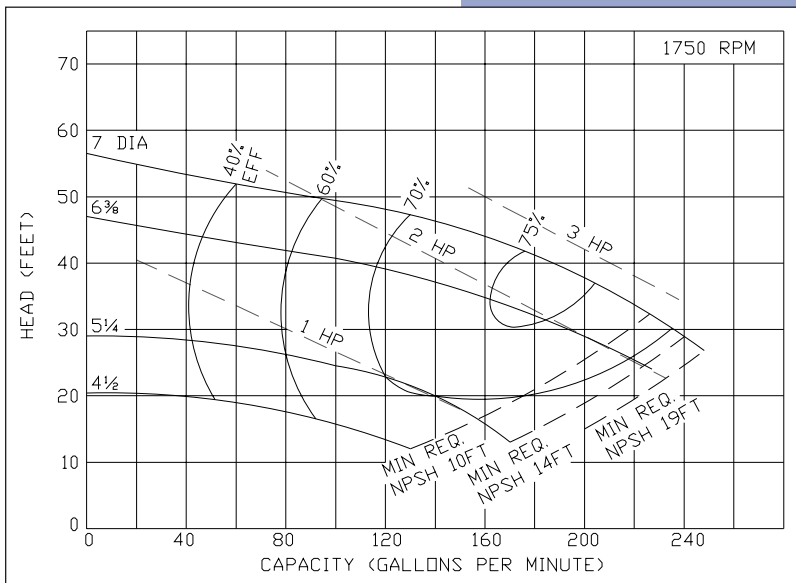
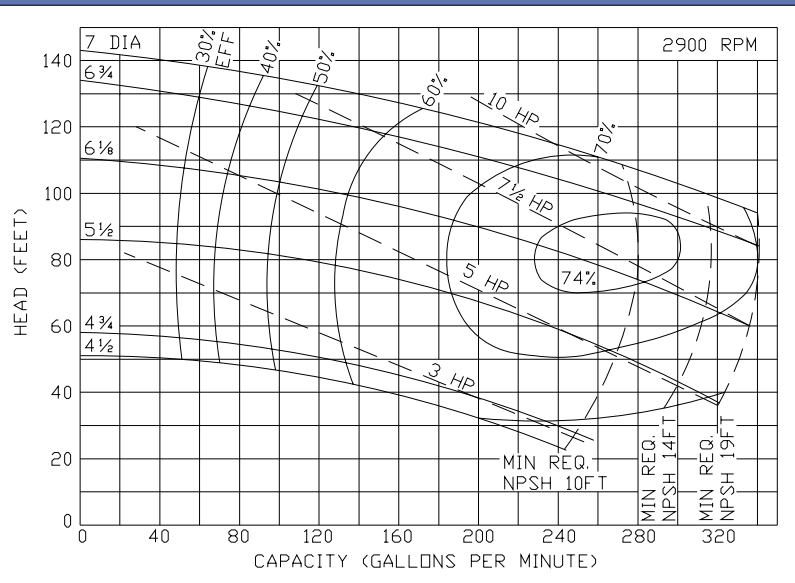
Ampco Centrifugal Pumps

MODEL EC/ECH 3 X 2 1/2

Curves show approximate characteristics based on clear 68° water. Rated point is guaranteed.

E Series pumps provide the same heavy-duty construction and hydraulic performance as Ampco's Z Series.

An enlarged stuffing box offers multiple sealing arrangements, including Type 21, Type 1, Type 9, Double Type 21, Double Type 9, packing and cartridge seals.



Ampco Pumps Company

4424 West Mitchell Street
 Milwaukee, Wisconsin 53214
 PHONE (414) 643-1852
 FAX (414) 643-4452