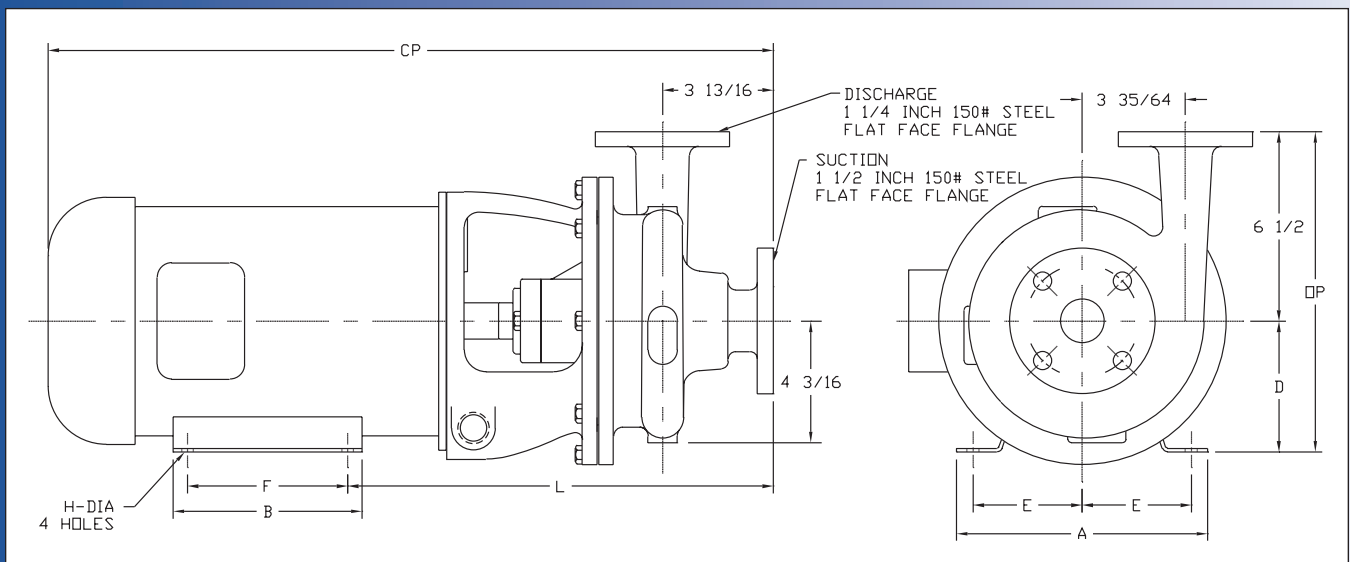
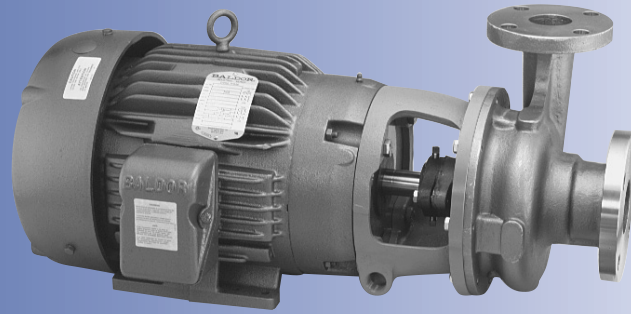


# Ampco Centrifugal Pumps

## DATA SHEET

MODEL EC 1 1/2 X 1 1/4  
NICKEL ALUMINUM BRONZE

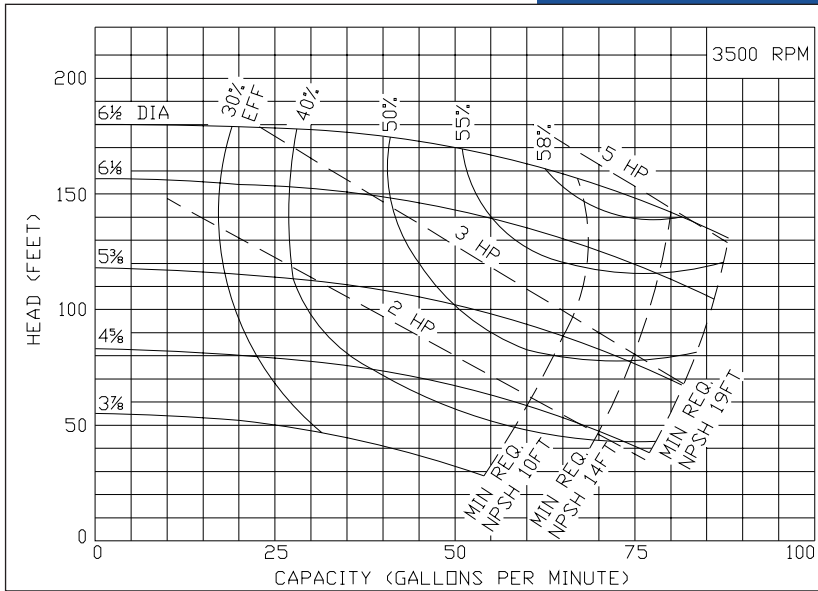


TEFC MOTOR			DIMENSIONS IN INCHES (For Reference Only)									APPROX. WEIGHT (LBS)
HP	RPM	FRAME	A (typ)	B (typ)	D	E	F	H	L	CP	OP	
3	1750	182TCZ	8-5/8	6-1/2	4-1/2	3-3/4	4-1/2	13/32	14-5/8	24-15/16	11	156
3	3500	182TCZ	8-5/8	6-1/2	4-1/2	3-3/4	4-1/2	13/32	14-5/8	24-15/16	11	156
5	3500	184TCZ	8-5/8	6-1/2	4-1/2	3-3/4	5-1/2	13/32	14-5/8	24-15/16	11	169
7-1/2	3500	213TCZ	9-1/2	8	5-1/4	4-1/4	5-1/2	13/32	15-1/4	26-9/16	11-3/4	237

## MATERIAL SPECIFICATIONS

PART NAME	NICKEL ALUMINUM BRONZE
Casing, Cover & Impeller	AMPCO® 483
Wear Ring	AMPCO® 18
Motor Shaft	Steel
Shaft Sleeve	AMPCO® 18
Adapter	Cast Iron





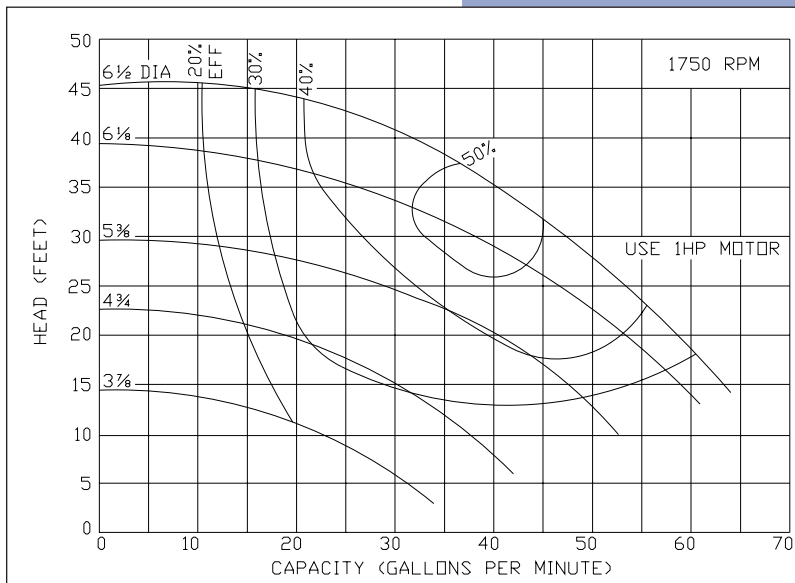
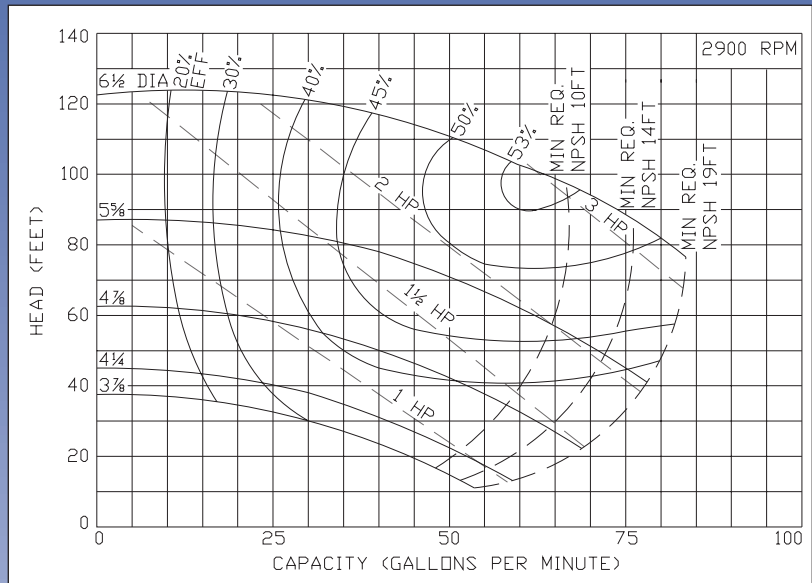
# Ampco Centrifugal Pumps

**MODEL EC 1 1/2 X 1 1/4**  
**NICKEL ALUMINUM BRONZE**

Curves show approximate characteristics based on clear 68° water. Rated point is guaranteed.

E Series pumps provide the same heavy-duty construction and hydraulic performance as Ampco's Z Series.

An enlarged stuffing box offers multiple sealing arrangements, including Type 21, Type 1, Type 9, Double Type 21, Double Type 9, packing and cartridge seals.



# Ampco Pumps Company

4424 West Mitchell Street  
 Milwaukee, Wisconsin 53214  
 PHONE (414) 643-1852  
 FAX (414) 643-4452