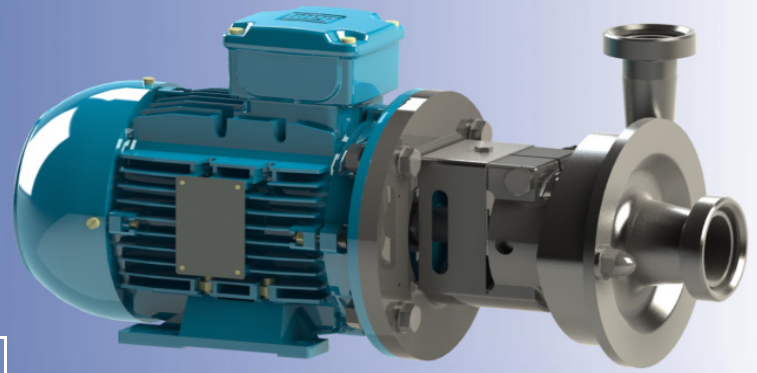


Ampco Centrifugal Pumps

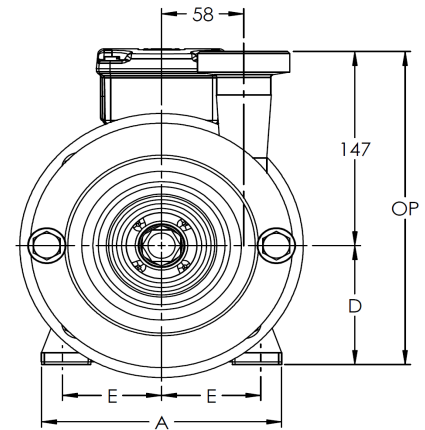
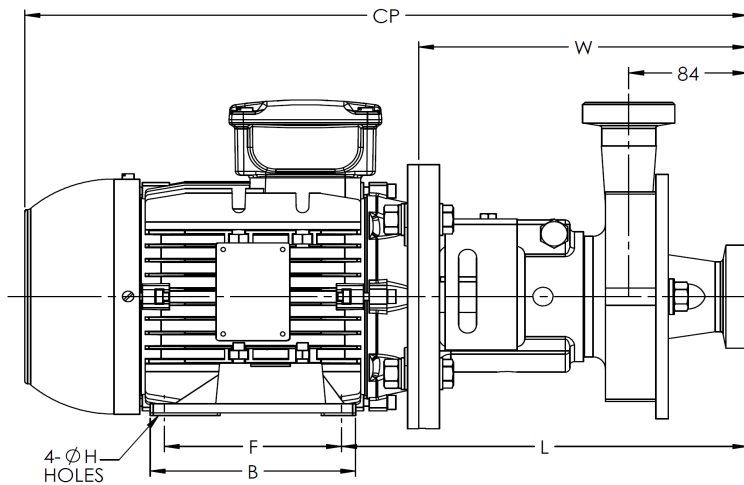
DATA SHEET

MODEL LM-R11 50 x 40

MODEL LM-R12 50 x 40



Connections DIN 11851 thread



TEFC MOTOR			DIMENSIONS IN MILLIMETERS							(All Values For Reference Only) <small>Data subject to change without notice.</small>			MASS
kW	RPM	FRAME	A (typ)	B (typ)	D	E	F	ØH	L	W	CP	OP	Kg
0.75kW	1450	80	149	125.5	80	62.5	100	10	283	233	470	205	26
0.75kW	2900	80	149	125.5	80	62.5	100	10	283	233	470	205	24
1.1kW	2900	80	149	125.5	80	62.5	100	10	283	233	470	205	24
1.5kW	2900	90S	164	145	90	70	100	10	287	231	509	237	30
2.2kW	2900	90L	164	145	90	70	125	10	287	231	509	237	30
3kW	2900	100L	188	170	100	80	140	12	318	255	571	247	43

MATERIAL SPECIFICATIONS

PART NAME	STAINLESS STEEL
Casing, Cover & Impeller	316L Stainless
Stub Shaft	316L Stainless
Adapter	304 Stainless

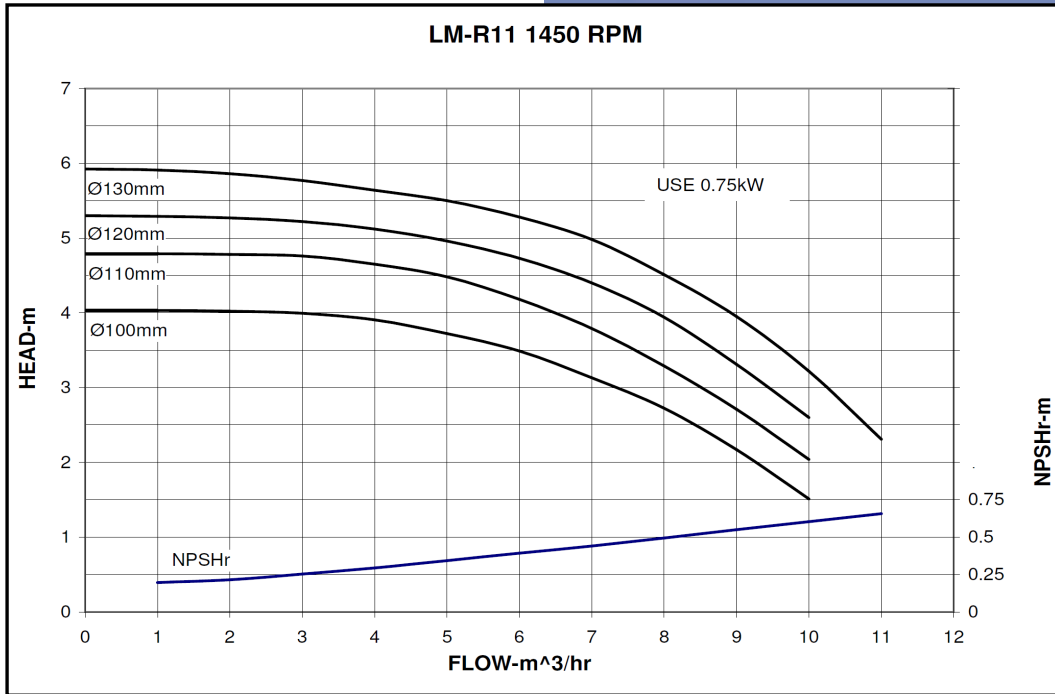
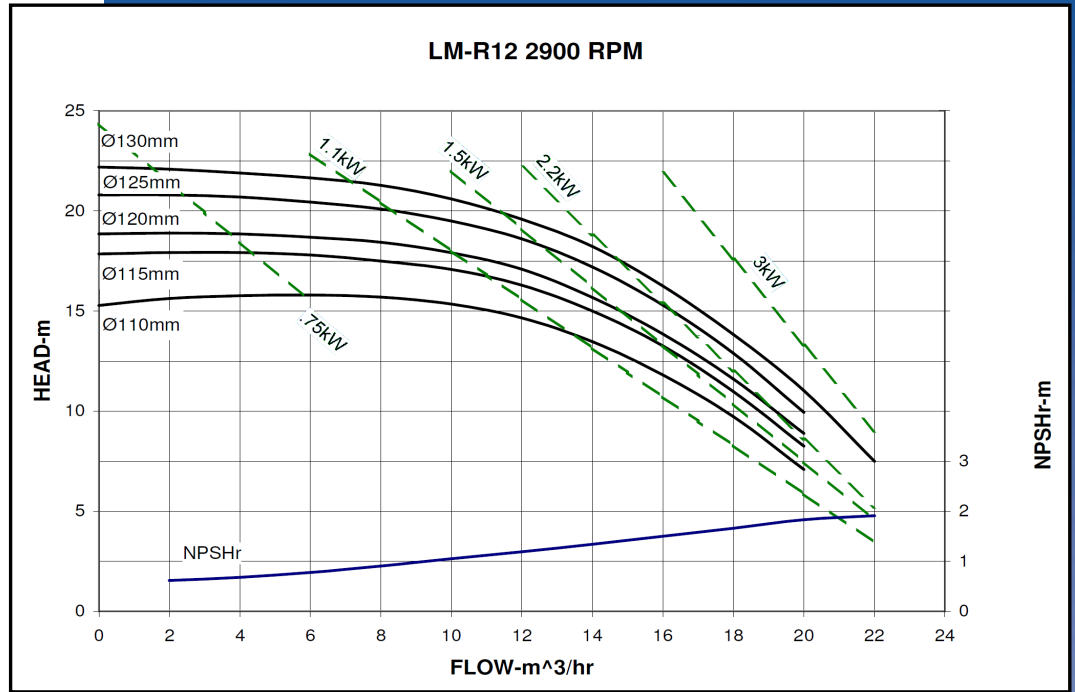
PUMP CURVES

MODEL LM-R11 50 x 40
MODEL LM-R12 50 x 40

Ampco Centrifugal Pumps

Curves show approximate characteristics based on clear 20°C water. Rated point is guaranteed

LM-Series pumps have standard stainless steel adapters and silicon carbide vs. carbon seals.



LM pumps are in conformance with 3A sanitary standards for centrifugal and positive rotary pumps for milk and milk products, Number 02-10.

LM-Series pumps have a standard 0.8µm (micrometers) finish, on all product contact surfaces.

Ampco Pumps Company

2045 West Mill Road
 Glendale, Wisconsin 53209
 PHONE (414) 643-1852
 FAX (414) 643-4452

LM-R11/R12 50X40 01/11