



SLH-5G

SANITARY TWIN SCREW PUMP

True dual-duty process and CIP in one pump

SLH - THE ORIGINAL SANITARY TWIN SCREW PUMP

Bornemann the originator and world leader in twin screw technology and Ampco Pumps Company the North American Stocking dealer of Bornemann Sanitary twin screw pumps presents the SLH-5G.

The robust and PATENTED design of the SLH-5G meets the demands of tomorrow by offering increased efficiency and performance in an easy to maintain and cost-effective dual-duty pump.

ADVANTAGES

Dual Duty

The SLH twin screw is a true dual duty pump, capable of both processing and CIP.

Gentle Handling

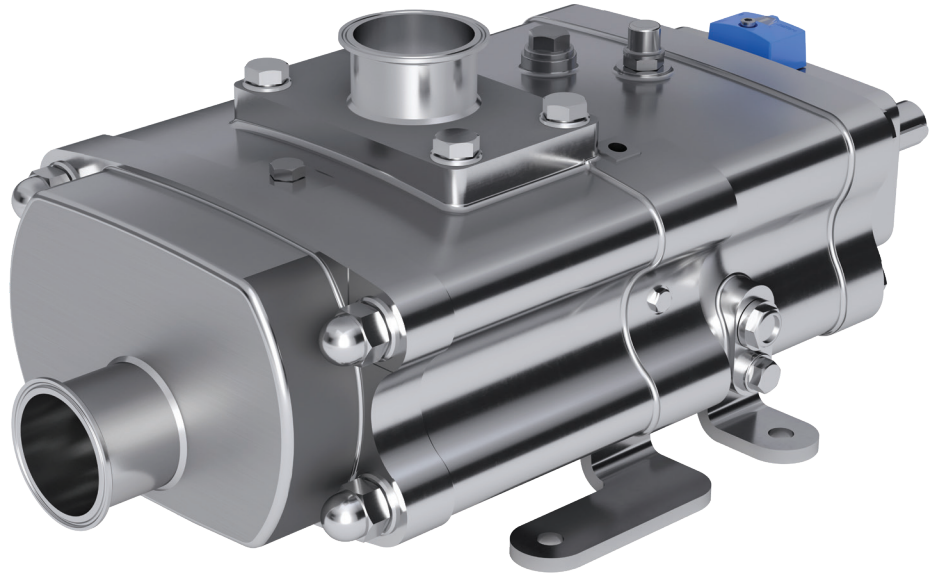
The axial conveyance operation helps protect the process liquid while maintaining any solids size and visual integrity.

Long Service Life

SLH Pumps feature no metal-to-metal contact between screws and housing. This provides trouble-free conveyance even for abrasive media and minimal downtime.

High Temperature Differences

The design and material choices allow maximum temperature differences from 39°F/4°C to 203°F/95°C, empowering a problem free, high temperature cleaning process subsequent to the conveying process.



CHARACTERISTICS

- Operates at a wide range of speeds for duty flexibility
- Self-priming
- Safe operation at high viscosities
- Low pulsation
- Low noise level
- Constant flow at varying pressures and volumes
- Suction lift up to 25 feet (8.5 m)
- Reverse operation allows suction piping to be emptied

FEATURES

- Improved PATENTED design for ease of maintenance
- 3-A, EHEDG USP Class VI, NSF, and FDA certified
- Standard 32Ra finish
- Standard tri-clamp fittings
- Multiple seal options available
- Hardened screws standard
- No Dead Zones
- Easy drop-in replacement with previous models

OPTIONS

- 5 model sizes available
- 6 standard screw pitches per size
- Multiple port sizes available
- Multiple seal options available
- Aseptic models available
- Vertical orientation available

MAXIMUMS

Max Viscosity	Max PSI	Max Flow	Max Temp	Max Port Size	Max Partical Size
1,000,000 CP	362/25 BAR	1321 GPM / 300 m ³ /hr	392°F / 200°C	6" / 152 mm	2.3" / 58 mm

PATENTED DESIGN

Connections

- Tri-clamp 2", 2½", 3", 3½", 4"
- DIN 11851, 11864-2, 32676
- SMS 1146
- Open Suction
- Rectangular Inlet
- Other Connections Available

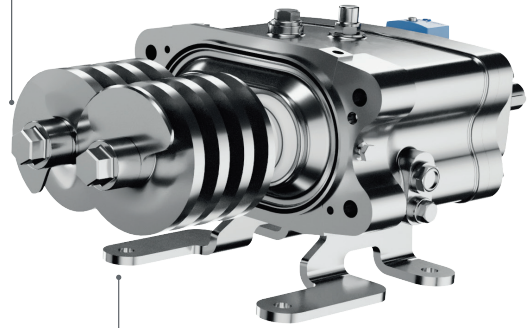


Optional Features

- Heating / Cooling Casing Jacket
- i-Alert for Monitoring

Materials

- Hardening for Abrasive Products
- Surface Finish <0.5 / 32 RA
Higher surface finishes available
- Product-contact 316L SS



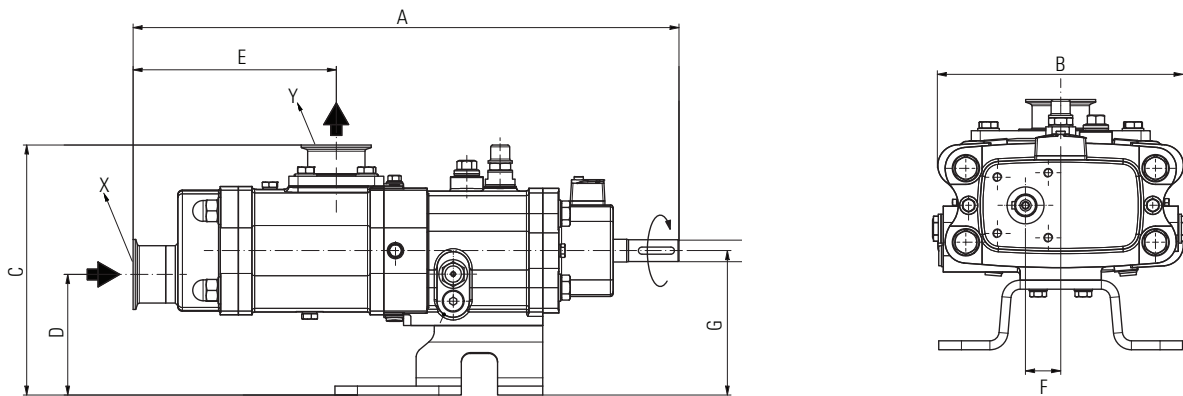
Seal Options

- Single Mechanical
- Double Mechanical
- Chocolate Clearance
- Knife-Edge



SPECIFICATIONS

Operating Data	Application	Unit	Size				
			1000	2000	3000	4000	5000
Capacity	Medium	gpm m ³ /h	tbd	131 30	285 65	551 125	tbd
	CIP		tbd	523 119	1137 258	2055 467	tbd
Differential Pressure	Medium CIP	psi bar	tbd	362 25	362 25	362 25	tbd
Rotation Speed	Medium CIP	RPM	tbd	3600	3600	3600	tbd
Viscosity	Medium	cp cst	1,000,000				
	CIP		1				
Temperature	Medium	°F °C	392 200				
	CIP		203 95				
	SIP		302 150				



Model	A inch mm	B inch mm	C inch mm	D inch mm	E inch mm	F inch mm	G inch mm	X	Y	Weight in lbs kg
1000	tbd	tbd	tbd	tbd	tbd	tbd	tbd	tbd	tbd	tbd
2000	23.82 605	10.71 272	10.91 277	5.28 134	8.86 225	1.54 39	6.3 160	DN65-DIN 11851, 2.5"-Tri-Clamp	DN65-DIN 11851, 2.5"-Tri-Clamp	179 81
3000	27.48 698	13.07 332	12.28 312	4.92 125	10.83 275	1.87 47.5	6.3 160	DN80-DIN 11851, 3"-Tri-Clamp	DN80-DIN 11851, 3"-Tri-Clamp	291 132
4000	34.88 886	15.91 404	17.64 448	7.20 183	14.02 356	2.42 61.5	8.86 225	DN100-DIN 11851, 4"-Tri-Clamp	DN100-DIN 11851, 4"-Tri-Clamp	606 275
5000	tbd	tbd	tbd	tbd	tbd	tbd	tbd	tbd	tbd	tbd

SLH Twin Screw Pump Capacity Curves

